



Reverse Osmosis Filtration System

Safety Instructions2

Operating Instructions

About the RO System4, 5
Specification Guidelines3

Care and Cleaning

Cartridge Replacement6, 8
RO Cartridge Replacement
Procedure, Including
Sanitization6-9, 18

Installation Instructions

Before Beginning Installation ...11
Important Recommendations ...10
Step-by-Step Instructions ...12-18
 Checklist18
 Drain Connections13, 14
 Faucet Drain Tubing and
 Water Supply Tubing16
 Faucet Installation15
 Feed Water Supply12
 System Assembly17
Tools and Materials Required ...10

Troubleshooting Tips19

Consumer Support

Consumer SupportBack Cover
Parts List/Catalog20, 21
Product Registration2
Warranty23



GXRV10ABL is Tested and Certified by NSF International against NSF/ANSI Standard 58 for claims specified on the Performance Data Sheet.

Write the model and serial numbers here:

Model # _____

Serial # _____

You can find them on the sump bracket.

**Owner's Manual
and Installation**

GXRV10ABL01

Osmose Inversée
Système de Filtration

**Manuel d'utilisation
et d'installation**

La section française commence à la page 24

Ósmosis Inversa
Sistema de Filtración

**Manual del propietario
y instalación**

La sección en español empieza en la página 48



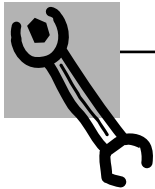
IMPORTANT SAFETY INFORMATION. READ ALL INSTRUCTIONS BEFORE USING.

⚠ WARNING! For your safety, the information in this manual must be followed to minimize the risk of property damage or personal injury.



SAFETY PRECAUTIONS

- Check with your state and local public works department for plumbing and sanitation codes. You must follow these guidelines as you install the Reverse Osmosis system. **Using a qualified installer is recommended.**
 - If house water pressure is over the maximum (125 pounds per square inch), install a pressure reducing valve in the water supply line to the Reverse Osmosis system.
 - Be sure the water supply conforms with the *Specification Guidelines*. If the water supply conditions are unknown, contact your municipal water company or your local health department for a list of contaminants in your area and a list of laboratories certified by your state to analyze drinking water.
- ⚠ WARNING:** Before using the Reverse Osmosis system for the first time, the system must be purged. The Reverse Osmosis cartridge contains a food grade preservative that must be purged from the system. The preservative will give product water an unpleasant taste and odor.
- This product reduces fluoride in drinking water. Please consult your dentist if you have questions.
- ⚠ WARNING:** Do not use with water that is microbiologically unsafe or of unknown quality without adequate disinfection before or after the system. Systems certified for cyst reduction may be used on disinfected water that may contain filterable cysts. This Reverse Osmosis unit contains a replaceable membrane cartridge treatment component critical for effective reduction of Total Dissolved Solids. The water should be tested periodically to verify that the system is performing satisfactorily. This system is acceptable for treatment of influent concentrations of no more than 27 mg/L nitrate and 3 mg/L nitrite in combination measured as N and is acceptable for nitrate/nitrite reduction only for water supplies with a pressure of 280kPa (40 psig) or greater.
- This system shall only be used for arsenic reduction on chlorinated water supplies containing detectable residual free chlorine at the system inlet. Water systems using an in-line chlorinator should provide a one-minute chlorine contact time before the RO System.



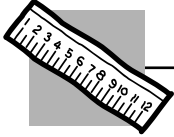
PROPER INSTALLATION AND MAINTENANCE

This Reverse Osmosis system must be properly installed and located in accordance with the Installation Instructions before it is used.

- Install or store where it will not be exposed to temperatures below freezing or exposed to any type of weather. Water freezing in the system will damage it. Do not attempt to treat water over 100°F.
 - Do not install on **HOT WATER**. The temperature of the water supply to the Reverse Osmosis system must be between the minimum of 40°F and the maximum of 100°F. See the *Specification Guidelines*.
 - **Do Not** open the water supply valve until the pipes have been flushed.
 - **Extended non-use of the Reverse Osmosis system.** If the system is not used for one week or more, open the RO water faucet, allow the system to drain. Close the RO water faucet and allow the system to regenerate the water supply.
- ⚠ WARNING:** Discard all unused parts and packaging material after installation. Small parts remaining after the installation could be a choke hazard.
- Sanitize upon installation of the Reverse Osmosis system and after servicing inner parts, including replacement of prefilter, postfilter and Reverse Osmosis cartridge. It is important to have clean hands while handling inner parts of the system. See the *Sanitizing the Reverse Osmosis System* section.
 - This Reverse Osmosis system contains a replaceable treatment component critical for effective reduction of total dissolved solids. This product water shall be tested periodically to verify that the system is performing satisfactorily. See the *About the Water Test Kit* section.



**READ AND FOLLOW THIS SAFETY INFORMATION CAREFULLY.
SAVE THESE INSTRUCTIONS**

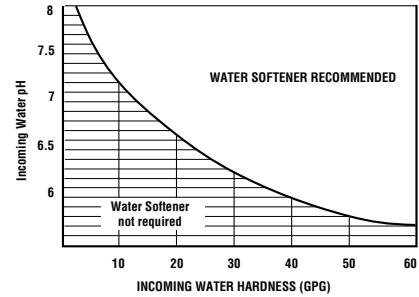


Product – height 16" width 17" depth 6"

The system makes a good supply of drinking water each day.
How much it will make depends primarily on these things...

Feed water pressure limits—pounds per square inch (psi)	40–125 ^c
Feed water temperature limits—minimum/maximum degrees F	40–100
Maximum Total Dissolved Solids (TDS)—parts per million (ppm)	2000
Maximum water hardness @ 6.9 pH recommended to optimize membrane life—grains per gallon (gpg)	10

For water with hardness greater than 10 grains (at 6.9 pH) the use of a softener is recommended. Failure to install a water softener will reduce the life of the Reverse Osmosis membrane. See chart for additional information on the possible need for a water softener.



Maximum iron, manganese, hydrogen sulfide (ppm)	<0.1
Chlorine in water supply	Allowable ^b
Feed water pH limits (pH)	4–10
Product (quality) water, 24 hours—gallons	10.0 ^a
Process water per gallon of product water, 24 hours—gallons5
Percent rejection of TDS (new membrane)92 ^a
Cyst reduction99.95%
Storage tank capacity—gallons	1.3
Automatic shutoff controlyes
Prefilter and postfilter(FX12PA) Carbon Block
Reverse Osmosis membrane(FX12M) Thin Film Polyamid
Dimensions (inches)height 16" width 17" depth 6"

- a. Tested by NSF International according to ANSI/NSF Standard 58 has given 7.1 GPD. Source water test parameters are 50 psig, 77°F, pH of 7.5 ± 0.5, and 750 ppm total dissolved solids.
- b. Removed (maximum of 2.0 ppm) by the Reverse Osmosis prefilter. **REGULAR MAINTENANCE IS REQUIRED.** Chlorine will destroy the Reverse Osmosis membrane.
- c. If house water pressure is over 125 psi, install a pressure reducing valve in the water supply line. If house water pressure is under 40 psi, install a Reverse Osmosis booster pump (contact your local plumbing supply company).

About the reverse osmosis system.

What the Reverse Osmosis System Does

Reverse Osmosis removes Total Dissolved Solids (TDS) and organic matter from water by diffusing it through a special membrane. The membrane separates minerals and impurities from the water and they are flushed to the drain. High quality product water goes directly to the drinking water faucet or to the storage tank. The system makes a good supply of drinking water each day; see *Specification Guidelines* above. How much it makes depends on the feed water supply pressure, temperature and quality.

The *carbon prefilter* and *postfilter* are replaceable cartridges. The *prefilter* removes chlorine while also filtering sediments. The *postfilter* removes any other undesirable tastes and odors before you use the water.

Description of the Reverse Osmosis System

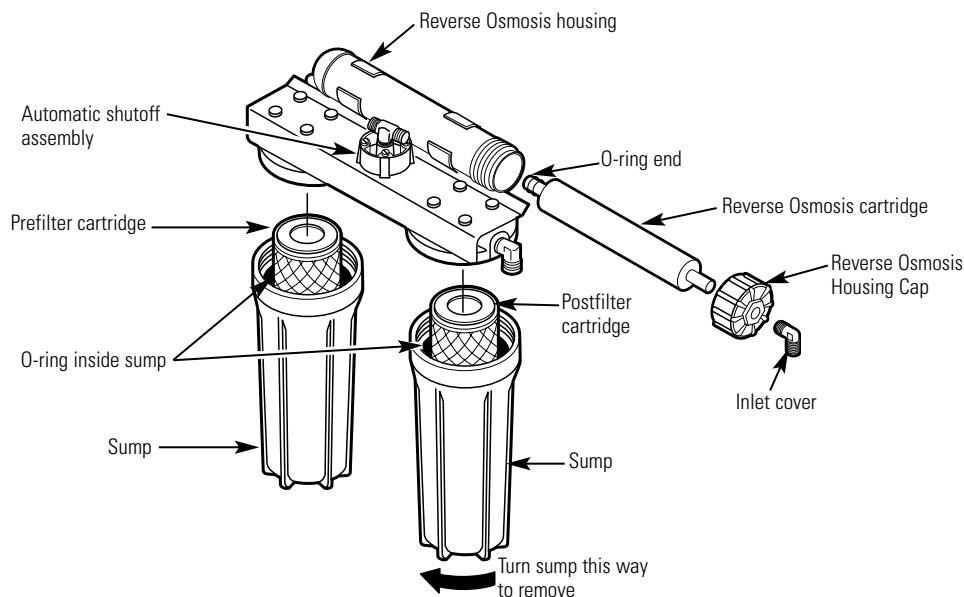
Prefilter—Water from the cold supply pipe is directed to the prefilter cartridge, which is inside the sump. The prefilter is a replaceable sediment cartridge containing activated carbon. The cartridge removes sand, silt, dirt, other sediments and up to 2.0 ppm of chlorine from the feed water. The prefilter reduces chlorine in the feed water because **CHLORINE DESTROYS THE REVERSE OSMOSIS MEMBRANE**. Filtered, clean, chlorine-reduced water flows from the prefilter to the Reverse Osmosis cartridge.

Storage Tank—The storage area holds up to 1.3 gallons of product water. A diaphragm inside the tank keeps water pressurized, when the tank is full, for fast flow to the faucet when drinking water is needed.

Check Valve—A check valve is built into one end of the Reverse Osmosis housing. The check valve prevents a backward flow of product water from the storage area. A backward flow could cause the Reverse Osmosis membrane to rupture.

Automatic Shutoff Assembly—To conserve water, the drinking water system has an automatic shutoff. When the storage tank has filled to capacity and the drinking water faucet is closed, pressure closes the shutoff. Water flow to the Reverse Osmosis housing is shut off until drinking water is used again, and pressure drops in the Reverse Osmosis system.

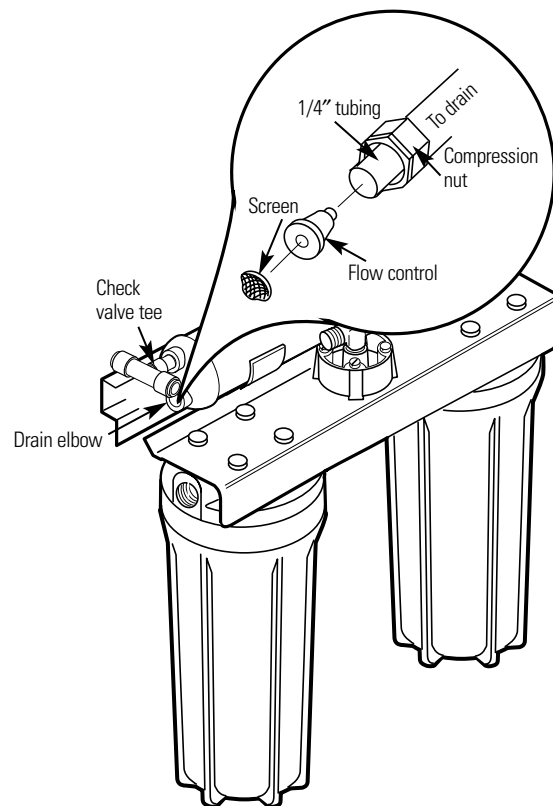
! WARNING: The reverse osmosis system contains a replaceable component critical to the efficiency of the system. Replacement of the reverse osmosis component should be with one of identical specifications, as defined by the manufacturer, to assure the same efficiency and contaminant reduction performance.



Reverse Osmosis Cartridge—The cartridge, inside the Reverse Osmosis housing, includes a tightly wound, special membrane. Water is forced through the cartridge where the membrane removes the dissolved solids and organic matter. High quality product water exits the Reverse Osmosis housing and goes to the storage tank. Reject water, with the dissolved solids and organic matter, leaves the housing and is discharged to the drain through 1/4" tubing.

Postfilter—After leaving the storage area, but before going to the system faucet, product water goes to the postfilter which is inside the sump. The postfilter is also a replaceable sediment cartridge that contains activated carbon. Any remaining tastes, odors or sediments are removed from product water by the postfilter. Clean, high quality drinking water flows through the tubing and to the system faucet.

Flow Control—The flow control regulates the flow of water through the Reverse Osmosis cartridge at the required rate to produce high quality water. The control is located in the Reverse Osmosis housing drain port. A small, cone-shaped screen fits over the front end of the flow control to prevent clogging due to sediments in drain water. The flow control should be replaced each time the Reverse Osmosis membrane is changed.



Care and cleaning of the reverse osmosis system.

To obtain replacement filters, call toll-free GE Appliance Parts at 800-626-2002 (U.S.), 800-663-6060 (Canada–English), 800-361-3869 (Canada–French).

Prefilter/Postfilter Cartridge Replacement FX12P	Carbon Block
Reverse Osmosis Cartridge Replacement FX12M	Thin Film Polyamide



CAUTION: Before servicing the Reverse Osmosis system, close the water supply/saddle valve and open the RO water faucet. Allow the system to drain.

The Water Test Kit

This Reverse Osmosis system contains a replaceable treatment component, critical for effective reduction of Total Dissolved Solids (TDS). This product water shall be tested periodically to verify that the system is performing satisfactorily. Follow instructions included in the kit. Product water should be tested a minimum of every six months. A replacement test kit will be provided to you with the results of each test submittal.

Prefilter and Postfilter Cartridge Replacement

Follow the steps in the *Sanitizing the Reverse Osmosis System* section **EXCEPT** discard the old filters and replace with new filters.

Care and cleaning—RO cartridge replacement procedure, including sanitization.

Be sure you clean your hands with anti-bacterial soap before handling inner parts of the system.

- Turn off the water supply valve to the Reverse Osmosis System. Open the RO water faucet and leave the storage tank open. Allow the water in the system to drain completely (this takes several minutes).

If the Reverse Osmosis Filtration system is connected to your icemaker, YOU MUST turn off the icemaker by raising the feeler arm before servicing the filter, changing the filters or purging the filtration system. Four hours after servicing your unit, lower the feeler arm to resume icemaking.

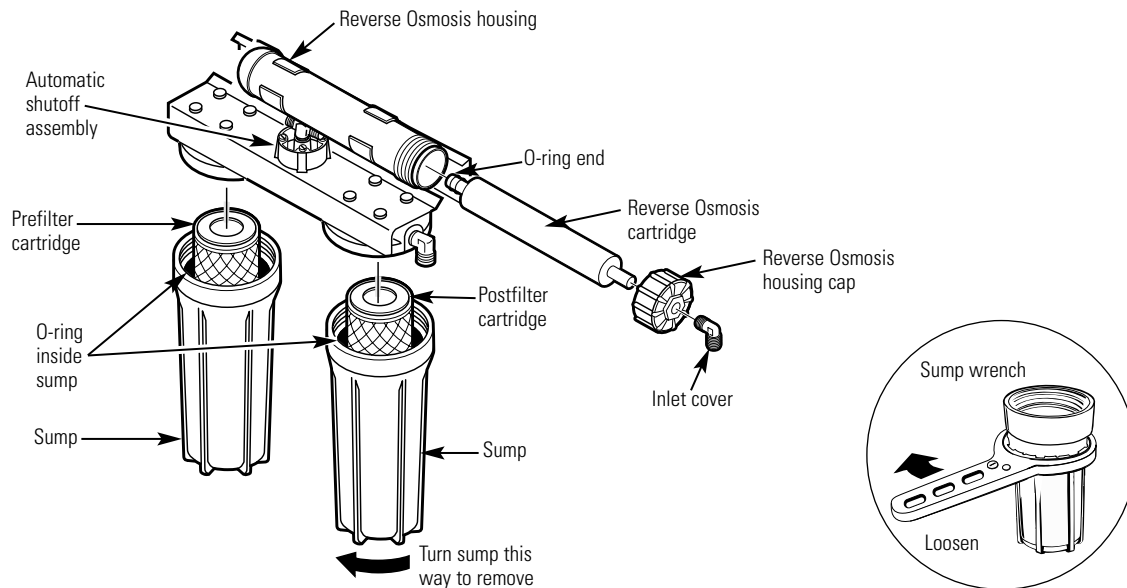
- Pull the Reverse Osmosis System out away from the cabinet but do not disconnect any tubing. Place a dry towel under the Reverse Osmosis Unit to absorb water that will spill out during disassembly.
- Unscrew inlet cover cap to open Reverse Osmosis housing.

Sanitizing the system is done with the Reverse Osmosis Cartridge and filter cartridges removed from the system.

- Remove the Reverse Osmosis Cartridge from the housing by grasping the end of the cartridge with the clean pliers and pulling to the right.

NOTE: Water may be discolored when removing the cartridge—this is NORMAL. Place the cartridge in a clean plastic bag to protect the cartridge from damage until it is reassembled.

- Reinstall the inlet cover, making sure the O-ring is in place.
- Remove the POSTFILTER sump by turning it to the left using the sump wrench that was provided with the Reverse Osmosis System. Be careful when removing the sump because it is full of water. Remove the old filter cartridge from the sump and discard. Inspect the sump. Make sure the O-ring is seated in the top of the sump. Reinstall the sump (without the cartridge) to sanitize.
- Remove the PREFILTER sump using the sump wrench and discard the old cartridge. Make sure the O-ring is seated in the top of the sump.



8 Sanitize the system.

CAUTION: Before adding the sanitizing agent, be sure to remove all cartridges as described above. **Chlorine will destroy the Reverse Osmosis Cartridge. Sanitizing the system is done with the reverse osmosis cartridge and filter cartridges removed from the system.**

a Before reinstalling the PREFILTER sump, fill this sump with cold water to about 1" from the O-ring. Add one ounce (two tablespoons) of ordinary 5.25% household chlorine bleach (Hilex, Clorox, etc.) and mix into the water. **DO NOT ADD CHLORINE FIRST. Concentrated chlorine may damage plastic.**

b Carefully reinstall the sump onto the Reverse Osmosis System and tighten securely by hand.

c Close the RO water faucet and turn on the water supply valve to the system. Allow system to fill for one minute.

NOTE: Various sounds will occur during the sanitizing. **DO NOT USE WATER DURING SANITIZATION.**

d Open the RO water faucet, locking the lever upward against the spout. Allow water to flow through the Reverse Osmosis system until all bleach odor is gone (approximately 20 minutes).

e Turn off the water supply valve to the system, but leave the RO water faucet open. When the flow of water stops, proceed to Step 9.

9 **Be sure hands have been cleaned with anti-bacterial soap.** Repeat Steps 3–6 and 8b; however, reinstall the Reverse Osmosis Cartridge from the bag and the new PREFILTER and POSTFILTER instead of removing them. Lightly lubricate the inlet cover and sump O-rings with clean silicone grease only.

NOTE: The Reverse Osmosis Cartridge is notched and may need to be rotated during reinstallation for proper fit.

70 Turn on water supply valve to the Reverse Osmosis System and allow approximately four hours for the system to regenerate and stabilize. Check the system for leaks. The system may make some sounds during this period. This is normal.

71 Replace the "AA" alkaline batteries in the control box. Good batteries are necessary to ensure proper indicator light operation. Weak batteries may give a false indication. Batteries should be changed every six months.

72 Before first use after filter changes, purge the system by opening RO water faucet for one minute to remove any harmless carbon particles. If the system is connected to your refrigerator icemaker, reset the icemaker feeler arm to the on (down) position after the four-hour regeneration period.

Care and cleaning—RO cartridge replacement procedure, including sanitization.

Reverse Osmosis Cartridge Replacement

NOTE: When replacing the Reverse Osmosis cartridge, also install a new flow control and screen. See the Flow Control and Screen section.

If the Reverse Osmosis Filtration system is connected to your icemaker **YOU MUST** turn off the icemaker by raising the feeler arm before servicing the filter, changing the filters or purging the filtration system. Four hours after servicing your unit, lower the feeler arm to resume icemaking.

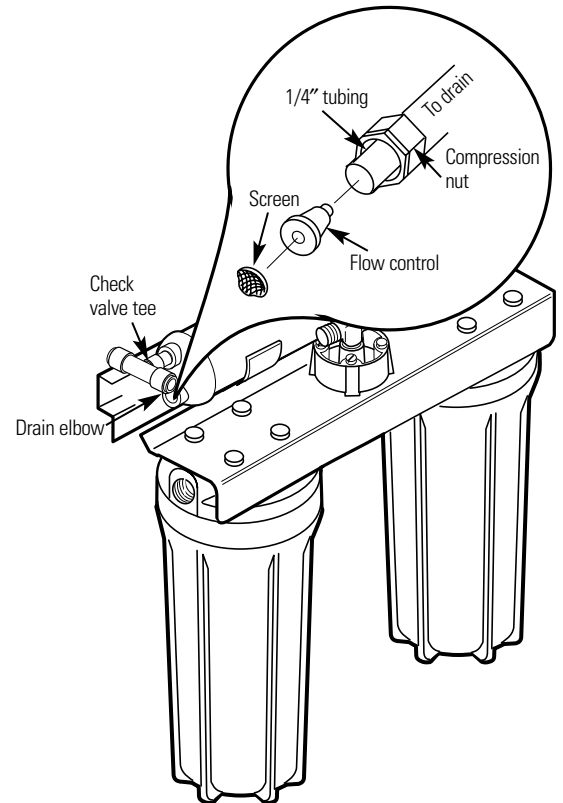
Be sure you clean your hands with anti-bacterial soap before handling inner parts of the system.

- 1 Turn off the water supply valve to the Reverse Osmosis system (turn clockwise) and open the RO water faucet. Allow the system to drain completely (this takes several minutes).

⚠ CAUTION: Failure to close the water supply valve will cause water to spray or run when sumps are removed.

- 2 Pull the Reverse Osmosis system out away from cabinet. Leave tubing connected. Place a dry towel under the Reverse Osmosis unit.
- 3 Unscrew inlet cover cap to open Reverse Osmosis housing.
- 4 Use pliers to pull the cartridge from the housing and discard the cartridge.

- 5 Sanitize the system. Go to *Filter Change Procedure*, including sanitization section. Complete Steps 5 – 9. However, place filters in clean plastic bag and reinstall them at Step 9.



- 6 Install new flow control and screen.
- a Locate the plastic drain elbow, next to the brass check valve tee.
- b Unscrew the compression nut.
- c Remove flow control with a clean knife edge. Remove screen; a toothpick may be needed.
- d If you are replacing the flow control and screen, discard them. If you are checking the flow control, screen and tubing for blockage, clean these parts of any debris. Do not blow through the flow control, it will contaminate the part.
- e Replace the screen by placing the cone end into the elbow cap and carefully push it in.

! **CAUTION:** Do not force in further after you feel resistance. Visually check to be sure it is properly positioned.

- f Install flow control and tighten compression nut by hand, then another 1/4 turn with pliers. **DO NOT OVERTIGHTEN AND DISTORT OR CRUSH THE TUBING AND FLOW CONTROL.**

- 7 Unscrew the inlet cover cap from the housing to remove.

- 8 Install the new Reverse Osmosis cartridge.

NOTE: The Reverse Osmosis cartridge o-ring end is notched and may need to be rotated during reinstallation for proper fit.

- 9 Lightly lubricate the O-ring seal with only clean silicone grease.

- 10 Replace the inlet cover.

- 11 Turn on the water supply. Check for leaks.

- 12 Purge the Reverse Osmosis system.

- a Open the RO water faucet until the tank is empty and flow stops.

- b After filling and emptying the storage tank four times, the system is ready to make product water for your use.

! **CAUTION:** The Reverse Osmosis cartridge contains a food grade preservative that should be purged from the system before first use or whenever the Reverse Osmosis cartridge is replaced. The preservative will give product water an unpleasant taste and odor.

- 13 Turn icemaker back on by lowering the feeler arm.

Installation instructions.

Important Installation Recommendations

Read entire manual. Failure to follow all guides and rules could cause personal injury or property damage.

- **BE SURE TO FOLLOW ALL APPLICABLE STATE AND LOCAL CODES.**
- Use a qualified installer.
- Do not install the Reverse Osmosis system outside or in extreme hot or cold temperatures. **DO NOT INSTALL ON HOT WATER.**
- Recommended installation is under the sink. However, the unit can be installed in a remote location, up to 30 feet away from the sink. Additional installation materials may be required.
- If Reverse Osmosis system is connected to a refrigerator icemaker, a special icemaker connection kit is required (RVKIT). Do not use copper tubing for the connection between the Reverse Osmosis system and the refrigerator.
- Be sure the water supply conforms to the specifications; see the *Specifications Guidelines* section. If water supply conditions are unknown, contact your municipal water company or your local health department for a list of contaminants in your area and a list of laboratories certified by your state to analyze drinking water.



WARNING: Do not use with water that is microbiologically unsafe or of unknown quality without adequate disinfection before or after the system. Systems certified for cyst reduction may be used on disinfected water that may contain filterable cysts. This system shall only be used for arsenic reduction on chlorinated water supplies containing detectable residual-free chlorine at the system inlet. Water systems using an in-line chlorinator should provide a one minute chlorine contact time before the RO system. This Reverse Osmosis system contains a replaceable treatment membrane cartridge critical for effective reduction of Total Dissolved Solids. The water should be tested periodically to verify that the system is performing satisfactorily. This system is acceptable for treatment of influent concentrations of no more than 27 mg/L nitrate and 3 mg/L nitrite in combination measured as N and is certified for nitrate/nitrite reduction only for water supplies with a pressure of 280kPa (40 psig) or greater. Small parts remaining after the installation could be a choke hazard. Discard safely.

Tools and Materials Required for Installation

- Battery Powered Cordless Drill
- 1/4" Drill Bit
- 1-1/4" Drill Bit (type as required) if mounting is needed for faucet
- Adjustable Open-End Wrenches
- Phillips and Straight Screwdrivers
- Utility Knife
- Contents Included with the Product:
 - Reverse Osmosis Assembly
 - Product Literature (Owner's Manual and Installation, Use and Care Video, Performance Data Sheet and Owner Registration Card)
 - Water Supply Valve Parts Bag
 - Drain Line Adapter
 - 27" Length of 3/8" Tubing
 - Storage Tank
 - Filter Replacement Reminder Label
 - Water Test Kit

INSTALLER RESPONSIBILITY: The water supply valve (see the *Feed Water Supply* section) is included for use in areas where codes permit. **Installer must comply with state and/or local codes.** If not, the installer must provide fittings to tap the cold water pipe for a feed water source to the Reverse Osmosis system (must adapt to 1/4" OD tubing).

Things to Check Before Beginning Installation

FEED WATER—The water supply to the undercounter Reverse Osmosis system must have the qualities listed in the specifications (see the *Specifications Guidelines* section). Municipal water supplies most often will have these qualities. **Well water may need conditioning**—have the water tested by a water analysis laboratory and get their recommendations for treatment.

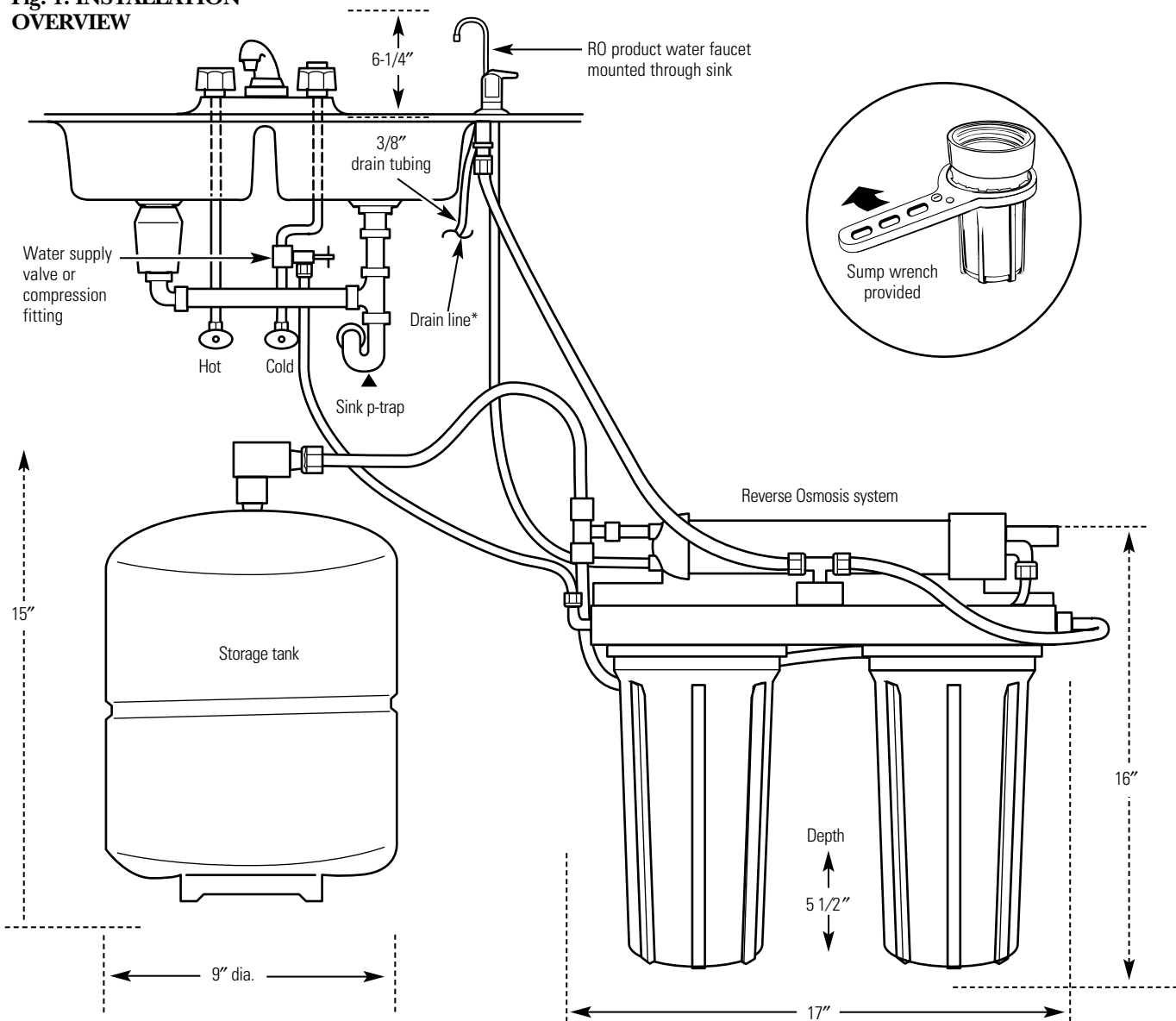
CAUTION: For water with a hardness greater than 10 grains (at 6.9 pH), the use of a softener is recommended. Failure to install a softener will reduce the life of the Reverse Osmosis membrane. See the *Specifications Guidelines* section for additional information on the possible need for a softener.

DRAIN POINT*—A suitable drain point and air gap (check your local codes) are needed for reject water from the Reverse Osmosis membrane cartridge.

RO FAUCET—The RO product water faucet installs on the sink or on the countertop next to the sink. Often, it is installed in an existing sink spray attachment hole. Space is required underneath for tubing to and from the faucet, and for securing the faucet in place. All faucet connections and installation procedures are done on or above the sink or countertop. Refer to Fig. 1 below.

BASEMENT INSTALLATION—If installing in a basement, leave enough tubing in place during installation to be able to move unit to floor for ease at servicing and making filter/membrane changes.

Fig. 1. INSTALLATION OVERVIEW



*For drain line options see *Filtration Drain Connection Installations* section.

Step-by-step installation instructions.

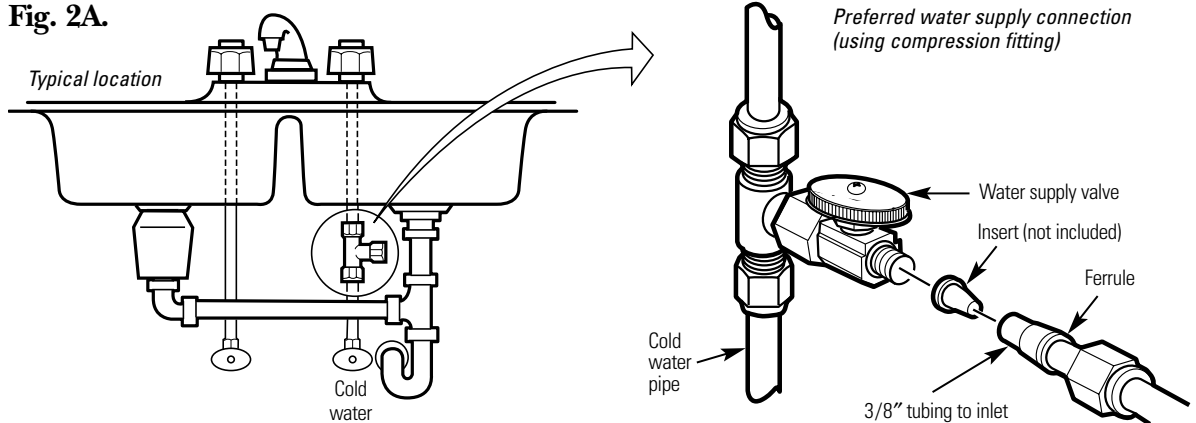
Feed Water Supply

Check and comply with local plumbing codes as you plan, then install a cold feed water supply fitting. For new home installation using standard plumbing fittings, see first two illustrations below. A typical installation for existing homes using the saddle valve is shown in third illustration below.

A. PREFERRED INSTALLATION

- 1 Turn off the cold water supply.
- 2 Complying with plumbing codes, install a fitting on the cold water pipe to adapt 3/8" OD tubing. A typical connection is shown in illustrations at right (parts not included). Make sure a water supply valve is used.

Fig. 2A.



B. OPTIONAL HOME INSTALLATION Where codes permit

***For 1/2" OD or larger metal tubing only.**

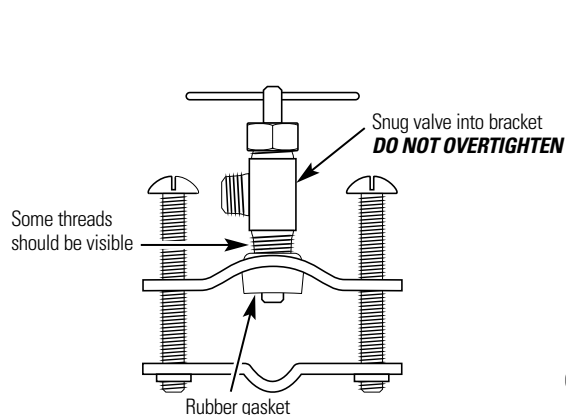
NOTE: Codes in the state of Massachusetts require installation by a licensed plumber and do not permit the use of the saddle valve. For installation, use plumbing code 248-CMR of the Commonwealth of Massachusetts.

- 1 Turn off the cold water supply and attach saddle valve as shown in illustration at right.

⚠ DANGER: To protect yourself from serious injury or fatal shock, use a battery-powered hand drill only to make the hole. DO NOT USE AN ELECTRIC DRILL.

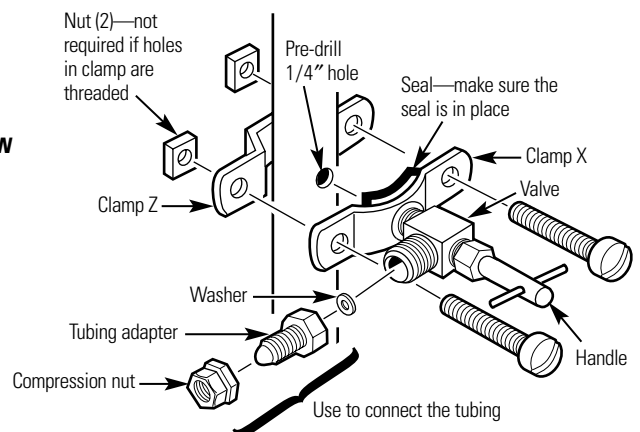
- 2 Close the water supply valve by turning the handle clockwise.
- 3 Open the main water supply valve and several house faucets to purge air from the system. Close faucets when water runs smoothly.

Fig. 2B.



Optional water supply connection (using saddle valve)*

***For 1/2" OD or larger metal tubing only.**



Filtration Drain Connection Installations

Check and comply with all state and local plumbing codes as you plan.

CAUTION: The options detailed below are the **ONLY** approved installation configurations. Do not use any drain saddle device.

NOTE: Failure to follow these Installation Instructions will void the Warranty, and the Installer will be responsible for any service, repair or damages caused thereby.

Preferred Installation Options (Options A, B and C)

OPTION A. BASEMENT ACCESS INSTALLATION (Fig. 3A)

Route the drain line **DIRECTLY** from the Reverse Osmosis system to a standpipe in the basement, by-passing the air gap provided in the faucet. The drain line may also be routed in the basement to a floor drain or washtub, provided that the air gap in the basement is maintained. Avoid dips, loops or low spots in the drain line. The basement air gap and drain installation configuration must conform to all local codes. Special air gap fittings are available to connect the drain line to the top of the standpipe.

OPTION B. SEPARATE VENT INSTALLATION— 2 P-TRAP (DRY-VENTED) (Fig. 3B)

Install a separate dry-vented p-trap under the sink to be used exclusively for the Reverse Osmosis drain line. A dry-vented p-trap is a p-trap that has its own vent/stack. Attach the provided drain line adapter to the p-trap and secure it with the slip joint nut and washer as shown. Route the drain line from the air gap to the drain line adapter ensuring that there are no dips, loops or low spots in the line, which could result in a clogged drain line. The drain line adapter should be aligned vertically such that the hose connection points in a direction 45° off vertical. (See Fig. 3E.) The drain line must be routed through the air gap provided in the RO water faucet.

OPTION C. SHARED VENT INSTALLATION— 2 P-TRAP (WET-VENTED) (Fig. 3C)

Install a p-trap under the sink to be used exclusively for the Reverse Osmosis drain line. A wet-vented p-trap is a p-trap that shares a common vent/stack. Attach the provided drain line adapter to the p-trap and secure it with the slip joint nut and washer as shown. Route the drain line from the air gap to the drain line adapter ensuring that there are no dips, loops or low spots in the line, which could result in a clogged drain line. The drain line adapter should be aligned vertically such that the hose connection points in a direction 45° off vertical. (See Fig. 3E.) The drain line must be routed through the air gap provided in the RO water faucet. Locate the p-trap as high as possible (minimum of 4" above horizontal pipe from second sink or disposer).

Fig. 3A.

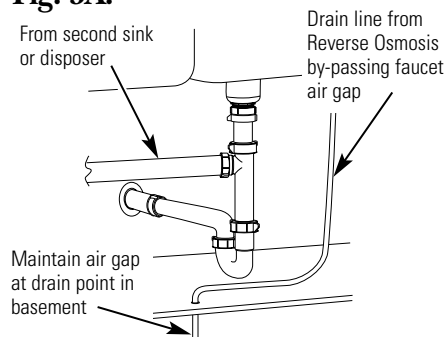


Fig. 3B.

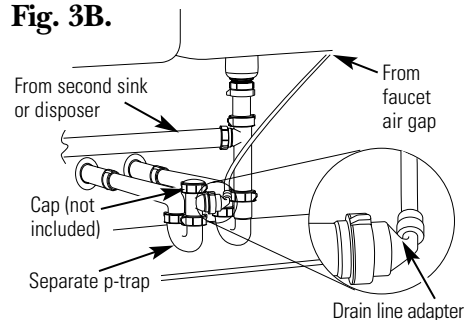
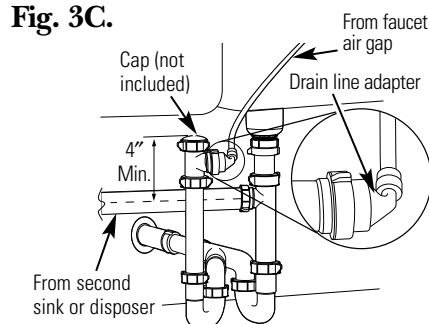


Fig. 3C.



Step-by-step installation instructions.

Filtration Drain Connection Installations

Secondary Recommendation

(Use only if option A, B or C on page 13 is not possible.)

OPTION D. DRAIN LINE ADAPTER INSTALLATION (Fig. 3D)

DO NOT install the drain line downstream of a disposal or in a horizontal pipe. Install the provided drain line adapter under the sink as shown.

The baffle-tee or y-connector shown must be in place (purchase and install if necessary) to prevent a clog in the Reverse Osmosis drain line. Route the drain line from the air gap to the drain line adapter ensuring that there are no dips, loops or low spots in the line, which could result in a clogged drain line. The drain line adapter should be aligned vertically so that the hose connection points in a direction 45° off vertical. (See Fig. 3E.) This installation MAY result in a slight drain noise in the sink drain when the Reverse Osmosis system is operating. Rotate the Drain Line adapter tee assembly slowly until noise is minimized. Generally, 180° opposite the existing horizontal pipe/baffle-tee is a good orientation.

⚠ CAUTION!

DO NOT INSTALL DRAIN LINE ADAPTER DOWNSTREAM FROM DISPOSER.

When installed, the tubing must not have any dips, kinks, loops, etc. The tubing must be cut to length to provide a straight routing from the faucet to the drain (Fig. 3F). See instructions in the "Filtration Drain Connection Installation" section for details and options.

INCORRECT INSTALLATION WILL RESULT IN WATER BACK-UP IN THE DRAIN LINE, WHICH WILL LEAK AT THE FAUCET!

Fig. 3F.

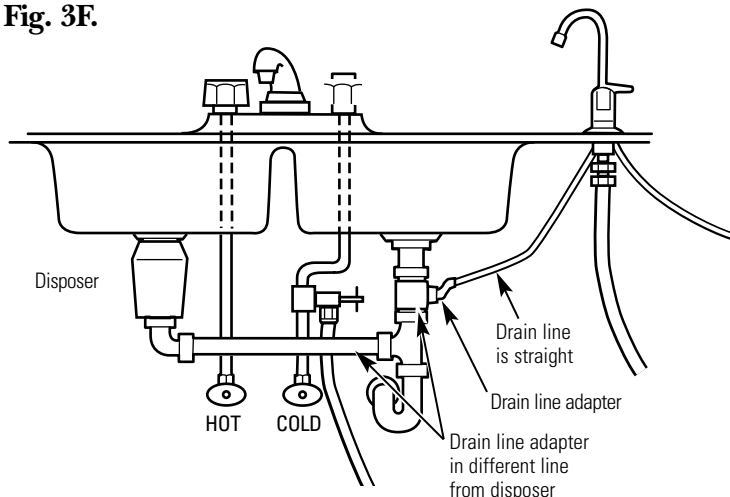


Fig. 3D.

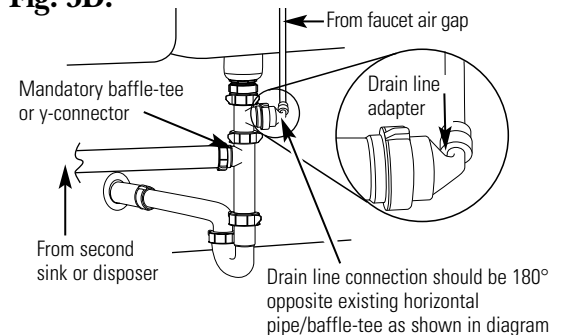
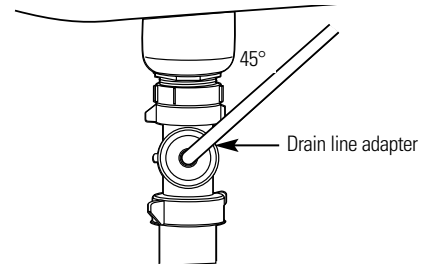


Fig. 3E.

Proper drain line adapter orientation.



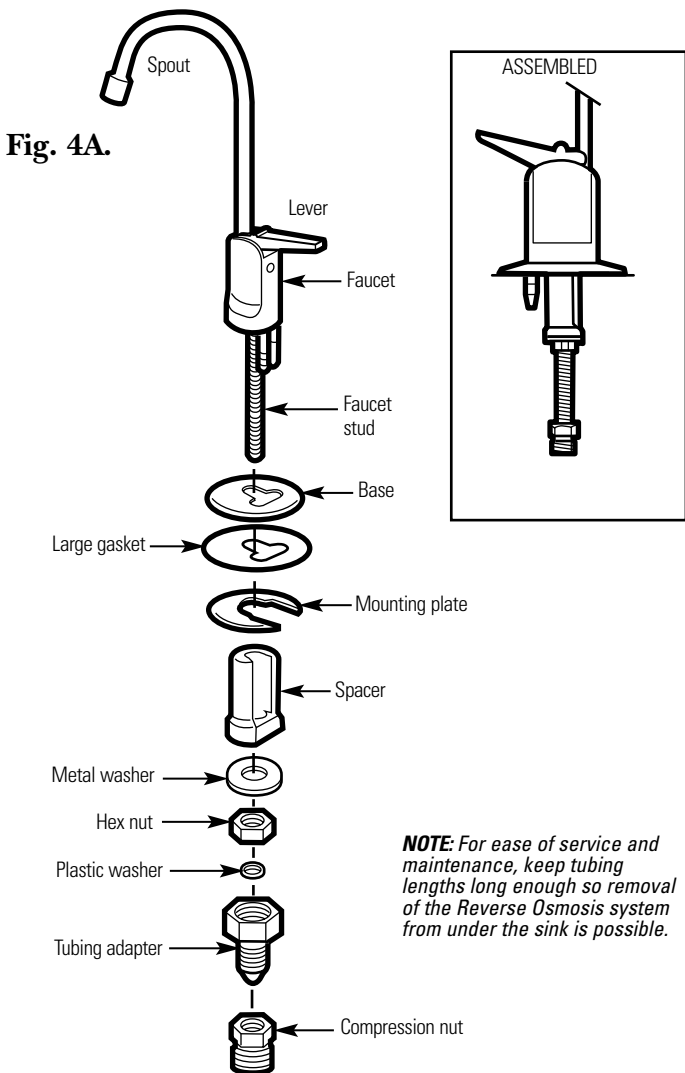
Faucet Installation

Be sure there is room underneath the sink to make the needed connections. Select one of the following places to install the faucet:

- IN an existing sink spray attachment or soap dispenser hole.
- IN a hole to be drilled in the sink top.
- IN a hole to be drilled in the countertop, next to the sink.

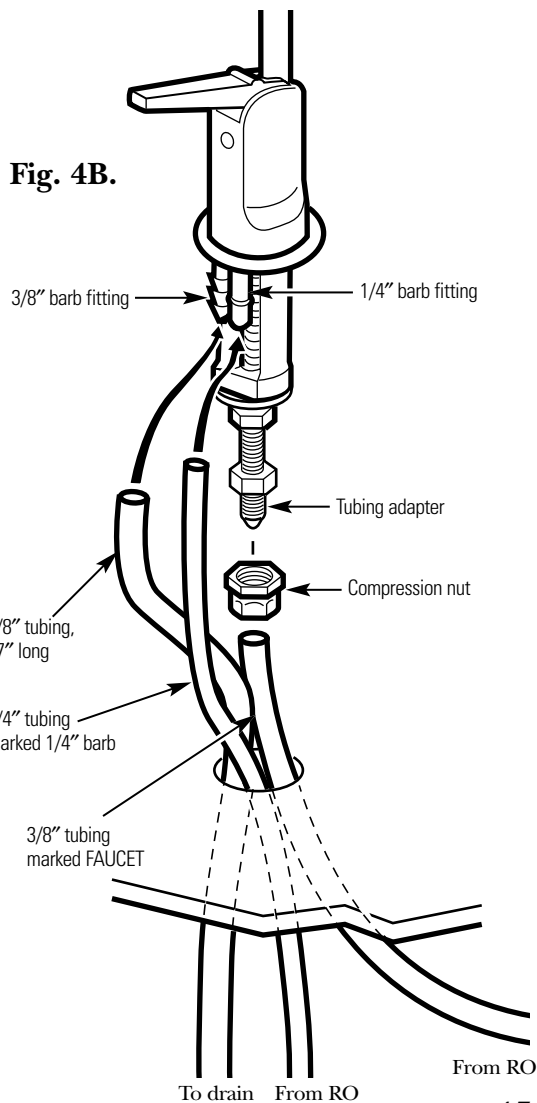
NOTE: Looking at Fig. 4B, be sure the faucet base will fit flat against the surface at the selected location so the gasket will seal.

- 1 If drilling is needed, make a 1-1/4" dia. hole. **Be sure to use the proper procedure for drilling porcelain or stainless steel.**
- 2 Place base on threaded stem (flange facing down). Next, place large gasket on threaded stem, making sure the stem and two barbed studs fit through the gasket. Place spacer on stud (open end up) followed by metal washer and hex nut (Fig. 4A).
- 3 Insert washer into tubing adapter. Securely tighten to faucet stud.



NOTE: For ease of service and maintenance, keep tubing lengths long enough so removal of the Reverse Osmosis system from under the sink is possible.

- 4 Take the 27" length of 3/8" tubing and push one end completely onto the 3/8" faucet barb fitting (Fig. 4B).
- 5 Position the Reverse Osmosis system under the sink. Referring to Fig. 5, on the next page, hang the system on cabinet wall.
- 6 Route the 1/4" tubing (marked "1/4" BARB ON FAUCET") and the 3/8" tubing (marked "FAUCET") up through the mounting hole:
 - a Push one end of the 1/4" tubing onto the 1/4" barb on the faucet.
 - b Using the compression nut, fasten the 3/8" tubing to the tubing adapter and tighten the nut. Make sure the tubing is completely seated in the adapter.
- 7 Remove the short shipping tube and insert the spout into the faucet body.
- 8 Lower the faucet assembly through the sink.
- 9 *Under the counter*, place the mounting plate above spacer and securely tighten the hex nut.



Step-by-step installation instructions.

Faucet Drain Tubing and Water Supply Tubing

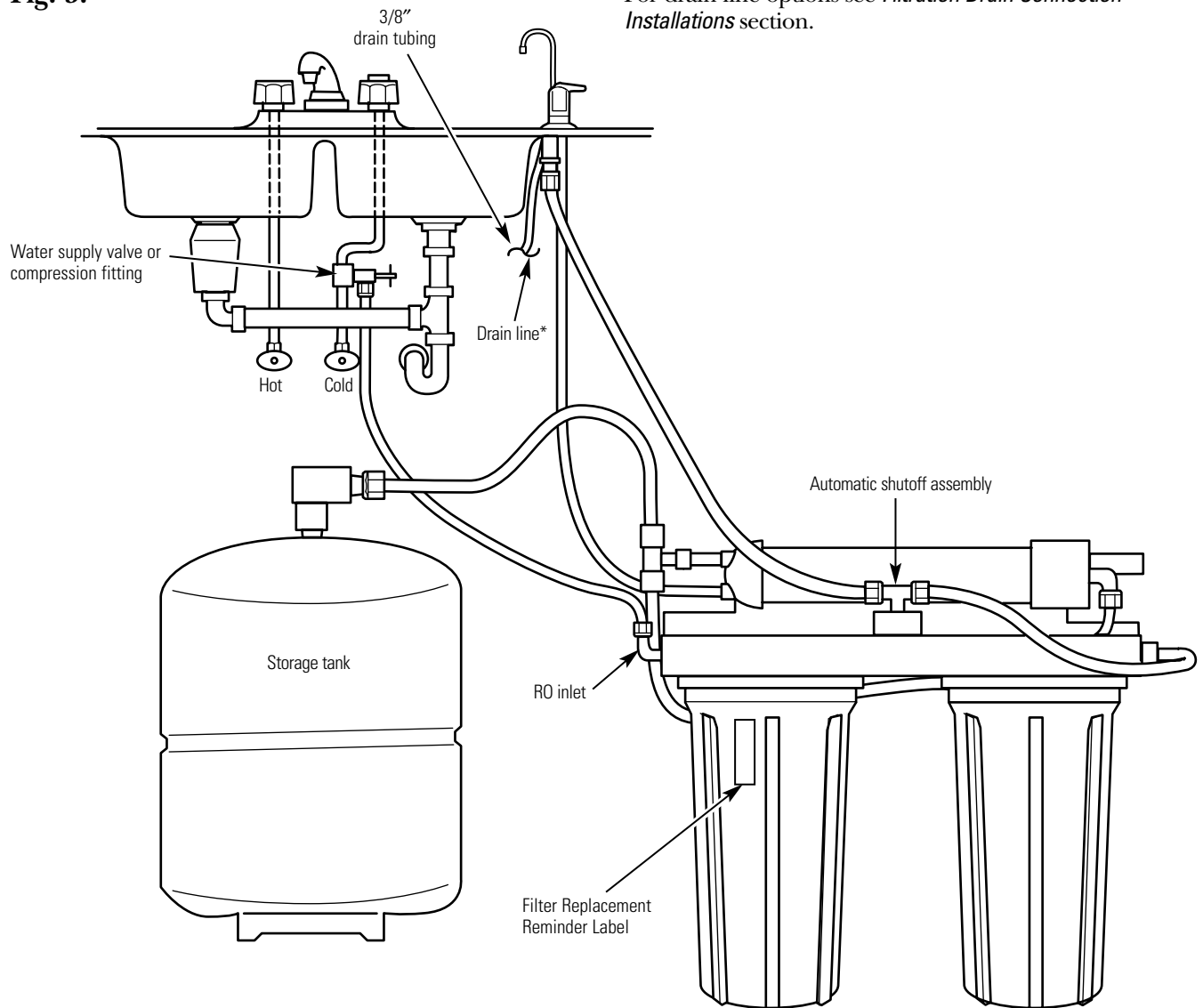
If Option A, BASEMENT ACCESS INSTALLATION, see *Filtration Drain Connection Installations* section, was used, go to step 2.

1 If Option B, C or D from page 13 or 14 was used, connect the faucet drain tubing by running the 27" length, 3/8" tubing from the 3/8" faucet barb to the drain fitting (installed in *Filtration Drain Connection Installations* section). **Keep this tubing run as short and straight as possible, without loops, dips or low-spots.** Cut the tubing as needed and insert into the drain fitting (see Fig. 3B, 3C or 3D in the *Filtration Drain Connection Installations* section).

2 To connect the water supply tubing: Run the 1/4" tubing (marked "WATER SUPPLY") from the Reverse Osmosis inlet to the feed water supply fitting (see Fig. 2A or 2B, in the *Feed Water Supply* section). Connect the tubing as applies (Fig. 2A or 2B, in the *Feed Water Supply* section) and tighten the nut securely (use Teflon Tape™ to prevent leaks).

3 Apply the Filter replacement reminder label to one of the filter sumps between the ribs. Mark the date for filter replacement six months from the installation date.

Fig. 5.



* For drain line options see *Filtration Drain Connection Installations* section.

Reverse Osmosis System Assembly and Storage Tank Installation

1. Hold the Reverse Osmosis assembly up to the wall surface where you will install it. Mark locations for the hanger washers and screws.
2. Fasten the hanger washers to the wall surface. Wood screws are included for fastening to a wood surface. Provide other screws as needed.
3. Hang the Reverse Osmosis assembly on the hanger washers.
4. Connect the tubing to the storage tank: Run the length of 3/8" tubing (marked "STORAGE TANK") from the tee fitting on the Reverse Osmosis module to the tank shutoff valve. Use Teflon Tape™ to prevent leaks.

Fig. 6A.

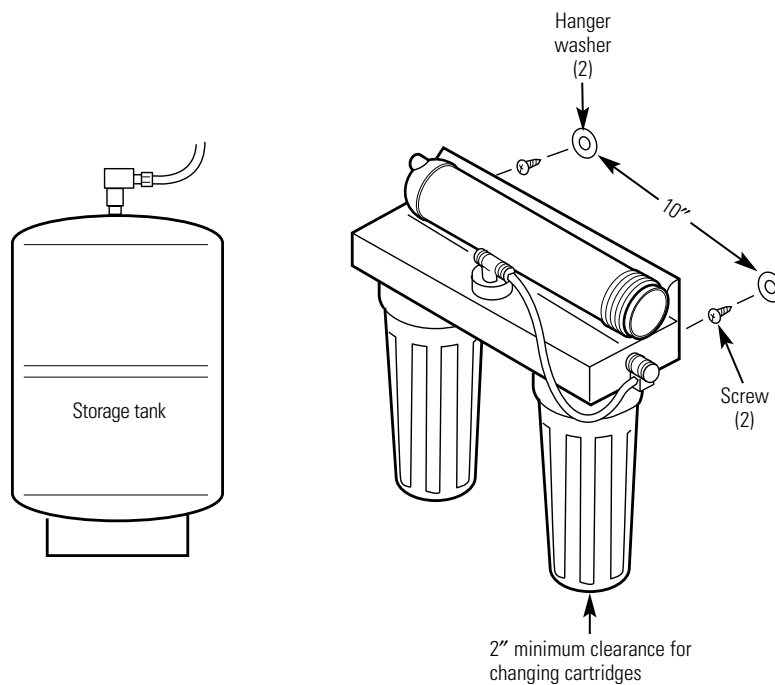
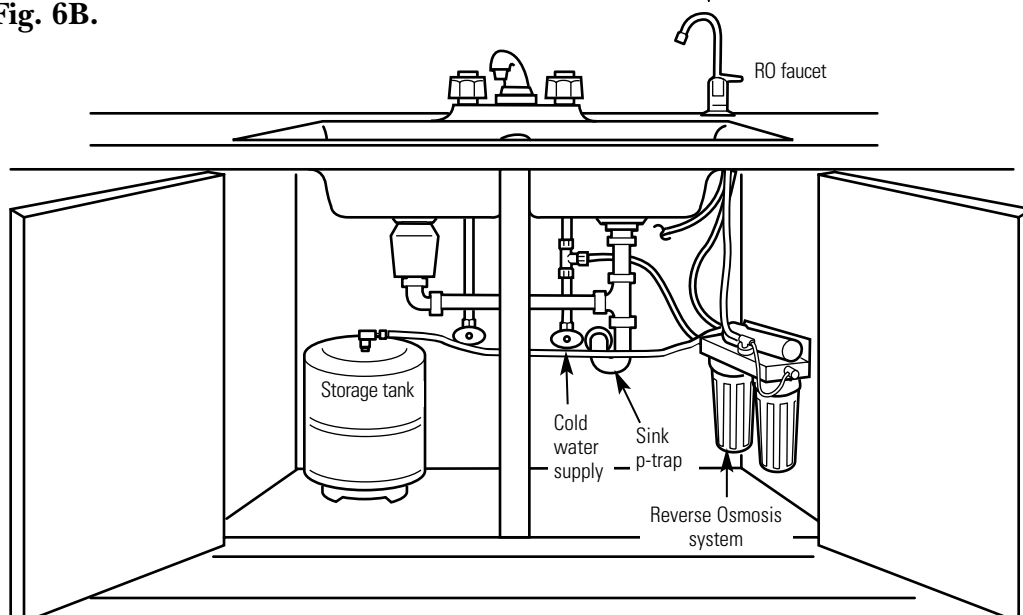


Fig. 6B.



*For drain line options see *Filtration Drain Connection Installations* section.

Step-by-step installation instructions.

Now That Your Reverse Osmosis System is Installed... Sanitize

Sanitize upon installation and after servicing inner parts, including replacement of prefilter, postfilter and the Reverse Osmosis cartridge. It is important to wash hands with anti-bacterial soap before handling inner parts of the system. See the *Sanitizing the Reverse Osmosis System* section.

⚠ CAUTION: *If installing unit in New Construction, ensure house plumbing is flushed thoroughly before opening the water supply valve. Also, before sanitizing, be sure to remove all cartridges as described in the Sanitizing the Reverse Osmosis System section. Chlorine will destroy the Reverse Osmosis cartridge.*

- 1 Complete *Cartridge Replacement* and *Sanitize the System* procedures (see pages 6–8), except reinstall the filters provided with the unit.
- 2 Purge membrane. See Step 12 in *Reverse Osmosis Cartridge Replacement* section.
- 3 Carefully check the system for leaks.

Installation Checklist

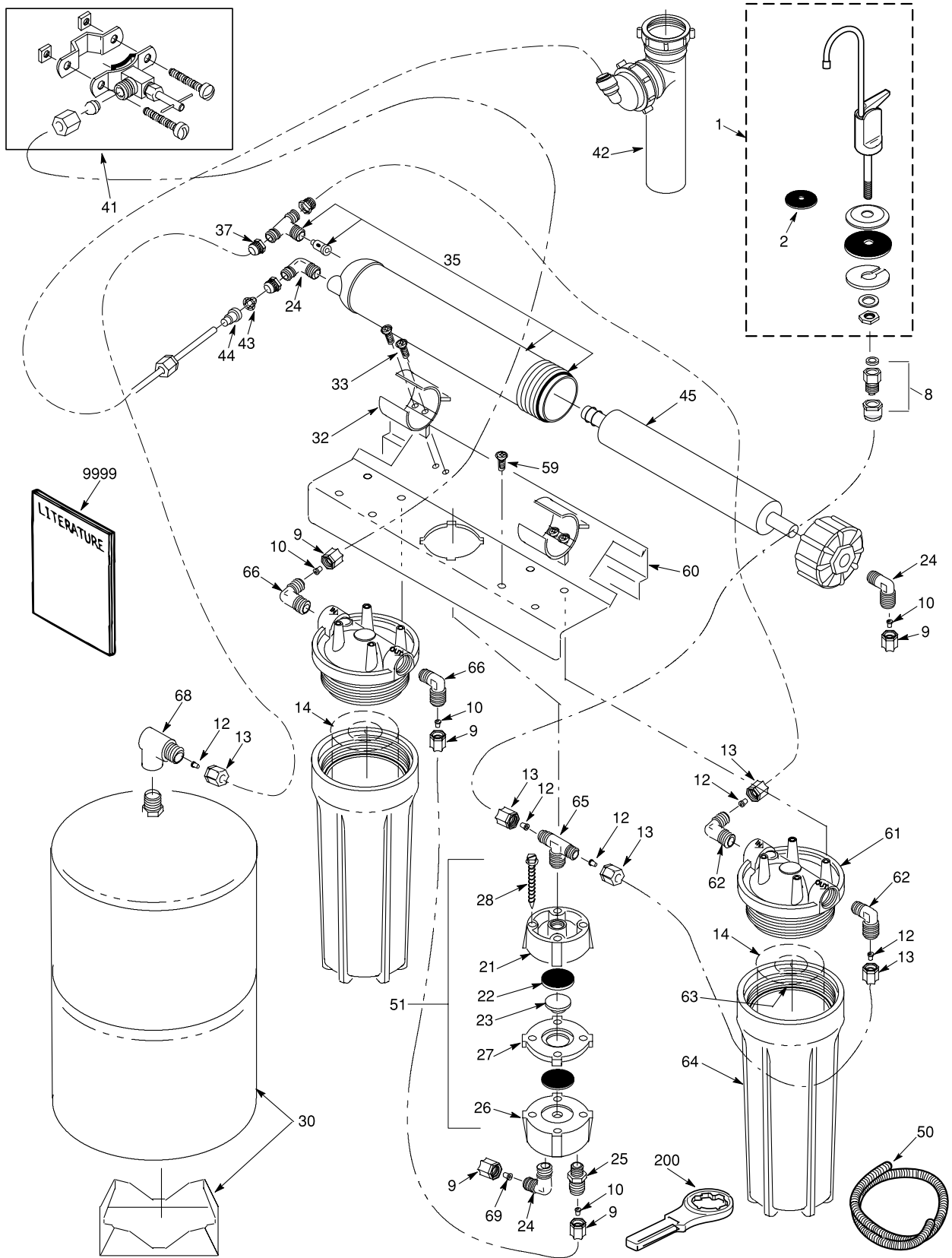
1. Are all tubing connections tightened? Do they run between the points shown? No leaks!
2. Did you use drain option B, C or D? Make sure the 3/8" drain tubing, from the faucet to the drain point, is without loops, dips or low spots.
3. Is the water supply shutoff valve open?
4. Did you sanitize and purge the system?



Troubleshooting Tips
 Save time and money! Review the charts on the following pages first and you may not need to call for service.

Problem	Possible Causes	What To Do
Sounds you might hear	Running water from the unit to a drain.	<ul style="list-style-type: none"> This is normal.
Water has air bubbles and is cloudy	Air in system after installation.	<ul style="list-style-type: none"> Will go away after water runs for a while.
Chlorine taste and/or odor in the Reverse Osmosis product water	The ppm of chlorine in your water supply exceeds maximum limits and has destroyed the Reverse Osmosis membrane.	<ul style="list-style-type: none"> If the water supply contains more than 2.0 ppm of chlorine, additional filtering of the water supply to the Reverse Osmosis is needed. Correct this condition before doing maintenance on the Reverse Osmosis system.
	The prefilter is no longer removing chlorine from the water supply.	<ul style="list-style-type: none"> Replace the Reverse Osmosis membrane cartridge, control, screen, prefilter and postfilter.
Other taste and/or odor	High quality product water may have a different taste than what you're used to.	<ul style="list-style-type: none"> This is normal.
	Low water usage.	<ul style="list-style-type: none"> Completely drain system and allow to refill.
	Contamination in product water storage.	<ul style="list-style-type: none"> Use sanitizing procedures.
	Prefilter and postfilter need to be changed and/or the Reverse Osmosis cartridge needs to be changed.	<ul style="list-style-type: none"> Replace the prefilter and postfilter. If taste and odor persists, replace the Reverse Osmosis cartridge, flow control and screen.
Water leaking from faucet air gap hole	Drain side of faucet air gap (3/8" tubing) plugged, restricted or incorrectly connected to the drain point.	<ul style="list-style-type: none"> Inspect and eliminate restriction or plug. It is important that there are no dips, loops or low spots in the drain line from the faucet air gap to the drain pipe. Refer to the <i>Filtration Drain Connection Installations</i> section, for proper drain connection. If drain line adapter was used as the drain point, periodic inspection/cleaning is recommended.
System makes product water slowly	This is normal.	<ul style="list-style-type: none"> Water flow rate will be lower than your regular faucet.
	Water supply to the Reverse Osmosis system not within specifications.	<ul style="list-style-type: none"> Increase water pressure, precondition the water, etc., as needed to conform before doing maintenance on the Reverse Osmosis system.
	Prefilter cartridge plugged with sediments and/or the Reverse Osmosis cartridge plugged with sediments.	<ul style="list-style-type: none"> Replace the prefilter. If rate does not increase, replace the postfilter, Reverse Osmosis cartridge, flow control and screen.

Parts list.



*** NOTE:** Codes in the State of Massachusetts require installation by a licensed plumber and do not permit the use of the saddle valve. For installation, use plumbing code 248-CMR of the Commonwealth of Massachusetts.

REF. NO.	PART NO.	PART DESCRIPTION	GXRV10ABL01
0001	WS15X10024	FAUCET BLACK TIP & LEVER	1
0002	WS08X10002	GASKET TOP	1
0008	WS03X10003	ADAPTOR TUBING	1
0009	WS22X10005	NUT 1/4" TUBE	8
0010	WS22X10006	INSERT 1/4" TUBE	7
0012	WS22X10007	INSERT 3/8" TUBE	7
0013	WS22X10008	NUT 3/8" TUBE	7
0014	FX12P	PRE & POST FILTERS	2
0021	WS10X10005	VALVE BOTTOM	1
0022	WS22X10009	DIAPHRAGM	2
0023	WS22X10010	PLUNGER	1
0024	WS22X10012	ELBOW 1/8" NPT X 1/4"	1
	WS22X10011	ELBOW 1/8" NPT X 1/4" & NUT	3
0025	WS22X10013	CONNECTOR W/NUT 1/8" NPT	1
0026	WS10X10006	VALVE TOP	1
0027	WS10X10007	VALVE CENTER	1
0028	WS02X10010	SCREW #10-14 X 1-3/4"	4
0030	WS32X10012	TANK 1.3 GAL.	1
0032	WS02X10018	CLIP	2
0033	WS02X10017	SCREW	4
0035	WS35X10033	HOUSING & CHECK ASM	1
0041	WS15X10023	SADDLE VALVE-SUPPLY*	1
0042	WS18X10006	DRAIN LINE ADAPTER-DLA9	1
0043	WS03X10015	SCREEN CONE	1
0044	WS03X10042	CONTROL FLOW	1
0045	FX12M	RO CARTRIDGE	1
0050	WS07X10008	TUBING 3/8" X 20 FT-WH	1
	WS07X10005	TUBING 1/4" X 10 FT-BL	1
	WS07X10007	TUBING 3/8" X 20 FT-BL	1
	WS07X10006	TUBING 1/4" X 20 FT-WH	1
0051	WS15X10014	SHUTOFF ASSEMBLY	1
0059	WS02X10020	SCREW, #10 X 1/2"	8
0060	WS28X10008	BRACKET	1
0061	WS19X10007	HEAD	2
0062	WS22X10002	ELBOW 3/8" NPT X 3/8"	2
0063	WS03X10001	O-RING 3-3/8" X 3-5/8"	2
0064	WS30X10001	SUMP	1
0065	WS22X10025	TEE 1/8" NPT X 3/8" TUBE	1
0066	WS22X10026	ELBOW 3/8" NPT X 1/4" TUBE	2
0068	WS22X10027	ELBOW, 1/4" NPT X 3/8"	1
0069	WS22X10028	INSERT, FLOW CONTROL	1
0200	WX5X140	WRENCH SUMP	1
9999	49-50071	OWNER'S MANUAL/INSTALLATION INSTRUCTIONS	1

To obtain replacement parts, call toll-free 800-626-2002 (U.S.), 800-663-6060 (Canada-English), 800-361-3869 (Canada-French).

*** NOTE:** Codes in the State of Massachusetts require installation by a licensed plumber and do not permit the use of the saddle valve. For installation, use plumbing code 248-CMR of the Commonwealth of Massachusetts.

Safety Instructions

Operating Instructions

Installation Instructions

Troubleshooting Tips

Consumer Support

Consumer Support
Troubleshooting Tips
Installation Instructions
Operating Instructions
Safety Instructions

Notes.

GE Reverse Osmosis System Warranty.



All warranty service provided by our SmartWater™ Authorized Servicer Network. To schedule service on-line, 24 hours a day, contact us at www.GEAppliances.com, or call toll-free 800.GE.CARES (U.S.), or 866.777.7627 (Canada).

Staple your receipt here.
Proof of the original purchase date is needed to obtain service under the warranty.

For The Period Of: **GE Will Replace:**

One Year
From the date of the original purchase

Any part of the Reverse Osmosis Filtration System which fails due to a defect in materials or workmanship. During this **limited one-year warranty**, GE will also provide, **free of charge**, all labor (does not include service trip to home) to replace the defective part. All warranty service will be provided by a GE SmartWater™ Authorized Servicer.

What GE Will Not Cover:

- Service trips to your home to teach you how to use the product.
- Improper installation.
- Failure of the product if it is abused, misused, or used for other than the intended purpose.
- Filters or membranes.
- Defects that result from improper installation or damage not caused by GE.
- Liability on the part of GE under this or any other warranty for any indirect or consequential damage.
- Products that are used for commercial or industrial applications.
- Use of this product where water is microbiologically unsafe or of unknown quality, without adequate disinfection. Systems certified for cyst reduction may be used on disinfected water that may contain filterable cysts.
- Replacement of house fuses or resetting of circuit breakers.
- Damage to the product caused by accident, fire, floods or acts of God.
- Incidental or consequential damage caused by possible defects with this appliance.

This warranty is extended to the original purchaser and any succeeding owner for products purchased for home use within the USA. In Alaska, the warranty excludes the cost of shipping or service calls to your home.

Some states do not allow the exclusion or limitation of incidental or consequential damages. This warranty gives you specific legal rights, and you may also have other rights which vary from state to state. To know what your legal rights are, consult your local or state consumer affairs office or your state's Attorney General.

THIS WARRANTY IS INTENDED TO BE IN LIEU OF ALL OTHER WARRANTIES, WHETHER EXPRESS OR IMPLIED, INCLUDING THE WARRANTIES OF MERCHANTABILITY AND FITNESS FOR A PARTICULAR PURPOSE.

Warrantor: General Electric Company. Louisville, KY 40225

Safety Instructions

Operating Instructions

Installation Instructions

Troubleshooting Tips

Consumer Support

La section Française.

Mesures de sécurité25

Fonctionnement

Au sujet du système de filtration par osmose inversée27, 28
Guide des spécifications26

Entretien et nettoyage

Procédure de remplacement de la cartouche du RO, incluant la désinfection29–32, 41
Remplacement des cartouches29, 31

Instructions d'installation

Avant de commencer l'installation34
Instructions d'installation étape par étape35–41
Alimentation d'eau35
Installation de l'ensemble du système40
Installation du robinet38
Liste de vérifications41
Raccordements à la conduite de vidange36, 37
Tuyaux pour le robinet de vidange et pour l'alimentation d'eau39
Outillage et matériel requis33
Recommandations importantes33

Conseils de dépannage42

Soutien au consommateur

Garantie46
Liste des pièces/catalogue43, 44
Soutien au consommateur47



Le système GXRV10ABL a été testé et homologué par NSF International selon la norme NSF/ANSI 58 pour les caractéristiques spécifiées dans la feuille de données relatives à la performance.

Numéro de modèle : _____

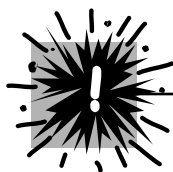
Numéro de série : _____

Vous les trouverez sur le support du corps de filtre.

MESURES DE SÉCURITÉ IMPORTANTES. LISEZ D'ABORD TOUTES LES INSTRUCTIONS.

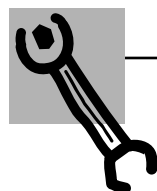
www.GEAppliances.com

▲ MISE EN GARDE! Pour votre sécurité, suivez les instructions fournies dans le présent manuel afin de minimiser les risques de dommages au matériel ou de blessures corporelles.



PRÉCAUTIONS DE SÉCURITÉ

- Vérifiez avec les travaux publics locaux ou de votre état quels sont les codes régissant la plomberie et les aménagements sanitaires. Vous devez vous y conformer lors de l'installation du système de filtration par osmose inversée. **Il est recommandé de faire appel à un installateur qualifié.**
 - Si la pression de l'eau arrivant à l'habitation dépasse la valeur maximale de 125 livres/po², montez un détendeur dans la conduite d'arrivée de l'eau au système de filtration.
 - Assurez-vous que l'eau est conforme au *Guide des spécifications*. Si les conditions de l'eau ne sont pas connues, contactez votre compagnie municipale de fourniture d'eau ou votre service de santé local pour obtenir une liste des agents de contamination de votre région et une liste des laboratoires homologués par votre état pour l'analyse de l'eau de table.
- ▲ MISE EN GARDE :** Avant la première utilisation du système de filtration, celui-ci doit être purgé. La cartouche du système de filtration par osmose inversée contient un préservatif pour aliments qui doit être purgé du système. Ce préservatif donne à l'eau un goût et une odeur désagréables.
- Cet appareil réduit la fluoration de l'eau de table. Veuillez consulter votre dentiste pour toute question à ce sujet.
- ▲ MISE EN GARDE :** N'utilisez pas l'appareil avec de l'eau qui n'est pas sûre microbiologiquement ou de qualité inconnue sans qu'elle n'ait été désinfectée avant l'entrée ou la sortie de celui-ci. Les appareils homologués pour la réduction des bactéries peuvent être utilisés pour le filtrage de l'eau qui a été désinfectée pouvant contenir des bactéries filtrables. Cet appareil comporte une cartouche avec membrane remplaçable essentielle pour réduire efficacement les matières solides totalement dissolvables (TSD). Il est nécessaire de tester l'eau périodiquement afin de s'assurer que l'appareil fonctionne de manière satisfaisante. Cet appareil est acceptable pour des concentrations maximum de nitrates à 27 mg par litre et de nitre à 3 mg par litre en combinaison appelée N. Il est acceptable pour la réduction de nitrate/nitre dans de l'eau dont la pression est égale ou supérieure à 280kPa (40psig).
- Ce système ne sera utilisé pour réduire l'arsenic des approvisionnements d'eau chlorées contenant du chlore résiduel libre à l'entrée du système. Les systèmes utilisant un injecteur de chlore en ligne doivent fournir un contact d'une durée d'une minute avec le chlore avant le système d'osmose inversée.



INSTALLATION ET ENTRETIEN DU SYSTÈME

Avant son utilisation, le système de filtration doit être correctement installé et positionné conformément aux instructions d'installation.

- Installez l'appareil ou entreposez-le de telle façon qu'il ne soit pas exposé à des températures inférieures au point de congélation ou non à l'abri de tout type de conditions météorologique. Il sera endommagé par l'eau qui se congèle. N'essayez pas de traiter de l'eau dont la température est supérieure à 100 degrés F.
 - Ne branchez pas l'appareil sur une conduite d'eau bouillante. La température de l'eau arrivant au système doit se trouver entre 40°F. au minimum et 100°F. au maximum. Voyez le guide des spécifications.
 - **N'ouvrez** pas le robinet d'alimentation d'eau avant le rinçage des conduites.
 - **Période prologée de non-utilisation du système de filtration.** Si le système n'a pas été utilisé au cours d'une période d'une semaine ou plus, ouvrez le robinet d'eau RO pour permettre la vidange de celui-ci. Fermez le robinet pour permettre au système de régénérer l'alimentation en eau.
- ▲ MISE EN GARDE :** Débarrassez-vous de tous les composants non-utilisés ainsi que de l'emballage après l'installation. Les petites pièces qui restent après l'installation peuvent constituer un danger d'étouffement si ingérées.
- Désinfectez les éléments au cours de l'installation et après l'entretien des composants internes. Ceci inclut le remplacement de l'élément de pré-filtrage, l'élément du post-filtrage et de la cartouche de l'appareil. Il est important que les mains soient propres lors de la manipulation des éléments internes du système. Voyez la section *Désinfection du système de filtration par osmose inversée*.
 - L'appareil comporte un élément de traitement remplaçable pour réduire efficacement des matières solides totalement dissolvables (TDS). Il sera périodiquement testé pour s'assurer qu'il fonctionne de manière satisfaisante. Voyez la section *Au sujet de la trousse de test de l'eau*.



VEUILLEZ LIRE ET SUIVRE ATTENTIVEMENT
CES MESURES DE SÉCURITÉ.

CONSERVEZ CES INSTRUCTIONS

Mesures de sécurité

Fonctionnement

Installation

Conseils de dépannage

Service à la clientèle

Guide des spécifications.

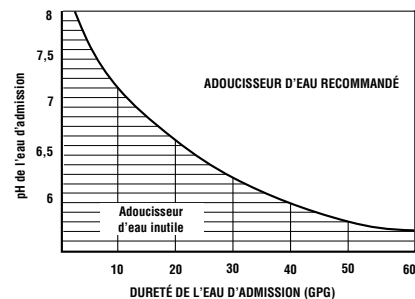


Produit – hauteur 40,64 cm (16 po) largeur 43,18 cm (17 po)
profondeur 15,24 cm (6 po)

L'appareil produit une bonne quantité d'eau potable quotidiennement.
Cette quantité est fonction des données suivantes...

Limites de pression de l'eau à l'admission – livres par pouce carré (psi)	40–125 ^c
Limites de température de l'eau à l'admission – min/max en degrés F	40–100
Maximum de matières solides totalement dissolvables (TDS) – parties par millions (ppm) ...	2000
Dureté maximale de l'eau @ 6.9 pH conseillé pour optimiser la vie de membrane – grains par gallon (gpg)	10

Lorsque la dureté de l'eau est supérieure à 10 grains (à un pH de 6,9), il est recommandé d'utiliser un adoucisseur. Si un adoucisseur n'est pas installé, la durée de vie de la membrane du système de filtration par osmose inversée est réduite. Voyez le graphique pour les informations complémentaires concernant la nécessité d'installer un adoucisseur d'eau.



Quantité maximale de fer, de manganèse, d'hydrogène sulfuré (en ppm)	<0,1
Chlore dans l'eau	Autorisé ^b
Limites pH de l'eau d'admission	4–10
Production d'eau (de qualité) en gallons par 24 heures	38 L (10 gallons) ^a
Eau traitée par gallon d'eau produite par 24 heures – gallons5
Pourcentage de rejet des TDS (nouvelle membrane)	92 ^a
Pourcentage de réduction des bactéries	99,95%
Capacité du réservoir – gallons	1.3
Commande d'arrêt automatique	yes
Pré-filtre et post-filtre	(FX12PA) Bloc de charbon
Membrane du système de filtration par osmose inversée	(FX12M) Pellicule mince en Polyamide
Dimensions (en pouces)	hauteur 40,64 cm (16 po) largeur 43,18 cm (17 po) profondeur 15,24 cm (6 po)

- Lorsque testé par NSF International conformément à la norme 58 de l'ANSI/NS, la quantité était de 7,1 GPD. Pour le test, les paramètres de l'eau d'origine sont de 50 psig, 77°F, un pH de 7,5 +à- 0,5 et une valeur ppm (parties par million) de 750 de matières solides totalement dissoutes.
- Éliminé (maximum de 2,0 ppm) par le pré-filtre du système de filtration par osmose inversée. **UN ENTRETIEN RÉGULIER EST NÉCESSAIRE.** Le chlore détruira la membrane du système de filtration par osmose inversée.
- Si la pression de l'eau arrivant à l'habitation dépasse 125 livres/po², montez un détendeur dans la conduite d'arrivée de l'eau au système de filtration. Si cette pression est inférieure à 40 livres/po², installez une pompe d'appoint sur l'appareil de filtration (contactez votre magasin de plomberie local).

Ce que ce système accomplit

Le système de filtration par osmose inversée élimine les matières solides totalement dissoutes (TDS) ainsi que les matières organiques de l'eau par diffusion au travers d'une membrane spéciale. Cette membrane sépare les matières minérales et les impuretés de l'eau, lesquelles sont évacuées dans le tuyau de vidange. L'eau de haute qualité produite est acheminée directement au robinet d'alimentation en eau potable ou au réservoir. L'appareil produit une bonne quantité d'eau potable quotidiennement. Voir les *Guide des spécifications* ci-dessus. La quantité d'eau produite est fonction de la pression d'eau d'alimentation, de sa température et de sa qualité.

Les *pré-filtre* et *post-filtre* au charbon sont des cartouches remplaçables. Le pré-filtre élimine le chlore et filtre les sédiments. Le post-filtre élimine les goûts et les odeurs indésirables avant l'utilisation de l'eau.

Description du système de filtration par osmose inversée

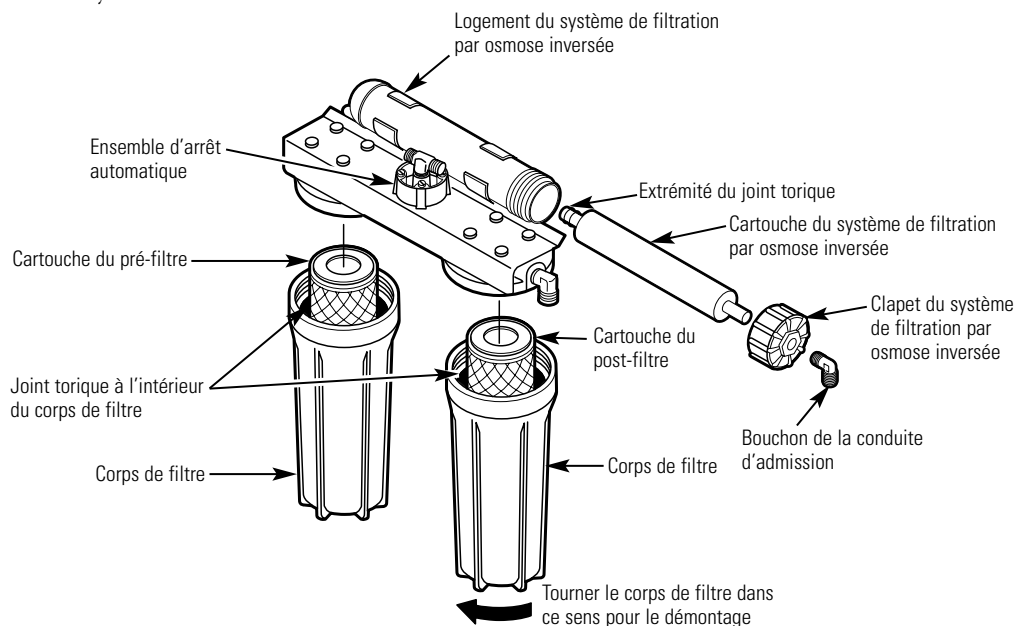
Pré-filtre—L'eau en provenance de la conduite d'eau froide est dirigée dans la cartouche du pré-filtre se trouvant à l'intérieur du corps de filtre. Le pré-filtre est une cartouche de récupération des sédiments remplaçable qui contient du charbon actif. Le pré-filtre élimine le sable, le limon, les saletés et autres sédiments et un maximum de 2,9 ppm de chlore présents dans l'eau. Il réduit la quantité de chlore de l'eau, lequel **DÉTRUIT LA MEMBRANE DU SYSTÈME**. L'eau propre, filtrée et à teneur de chlore réduite s'écoule du pré-filtre vers la cartouche du système.

Réservoir—Le réservoir contient jusqu'à 1,3 gallon d'eau traitée. À l'intérieur, un diaphragme maintient l'eau sous pression lorsque le réservoir est plein de façon à assurer une débit rapide vers le robinet lorsque l'on désire avoir de l'eau potable.

Clapet anti-retour—Un clapet anti-retour est monté à une des extrémités du logement du système de filtration par osmose inversée. Ce clapet empêche le refoulement de l'eau traitée en provenance du réservoir. Un tel refoulement pourrait entraîner la rupture de la membrane du système.

Ensemble d'arrêt automatique—Dans le but de conserver l'eau, le système de production d'eau potable comporte un dispositif d'arrêt automatique. Lorsque le réservoir est plein et que le robinet d'alimentation en eau potable est fermé, la pression ferme l'appareil. Le débit d'eau vers le logement du système de filtration par osmose inversée est interrompu jusqu'à ce que l'eau potable soit à nouveau utilisée et que la pression chute dans le système.

⚠ AVERTISSEMENT : Le système d'osmose inversée contient un élément remplaçable essentiel à son efficacité. On doit remplacer l'élément d'osmose inversée par un élément ayant les mêmes caractéristiques techniques, telles que définies par le fabricant, pour assurer la même efficacité et le même rendement de réduction des matières contaminantes.

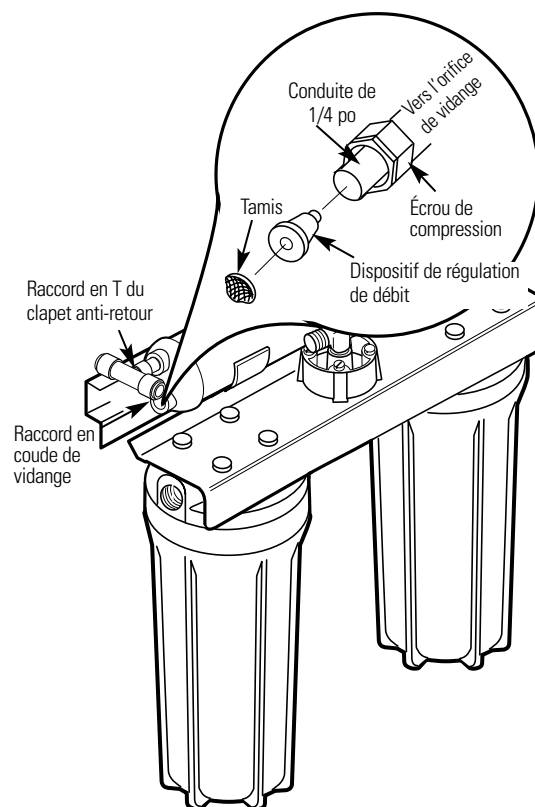


Au sujet du système de filtration par osmose inversée.

Cartouche du système de filtration par osmose inversée—La cartouche qui se trouve à l'intérieur du logement du système comprend une membrane étroitement sertie. L'eau est forcée au travers de la cartouche où la membrane élimine les matières solides dissoutes et les matières organiques. L'eau traitée de haute qualité sort du logement du système et se dirige vers le réservoir. L'eau rejetée contenant les matières solides dissoutes et les déchets organiques quitte le logement puis est déchargée à l'orifice de vidange au passant par la conduite de 1/4 po.

Post-filtre—Après avoir quitté le réservoir mais avant d'être acheminée au robinet du système, l'eau produite s'écoule vers le post-filtre se trouvant dans le corps de filtre. Le post-filtre est aussi une cartouche de filtration des sédiments remplaçable contenant du charbon actif. Tout reliquat de goûts, d'odeur ou de sédiments sont éliminés de l'eau par le post-filtre. L'eau potable propre de haute qualité s'écoule par la conduite vers le robinet du système.

Régulation de débit—Le régulateur de débit contrôle le débit de l'eau au travers de la cartouche du système de filtration pour obtenir la valeur requise nécessaire à la production d'eau de haute qualité. Il est situé sur le raccord en coude localisé à l'orifice de vidange du logement du système. Un petit tamis conique s'adapte sur la partie avant du régulateur de débit pour empêcher toute obturation causée par les sédiments de l'eau de vidange. Le régulateur doit être remplacé chaque fois que la membrane du système de filtration par osmose inversée est changée.



Entretien et nettoyage du système de filtration par osmose inversée.

www.GEAppliances.com

Pour obtenir des filtres de remplacement, composez sans frais le service des pièces détachées de GE au 800-626-2002 (États-Unis), au 800-663-6060 (Canada, langue anglaise), au 800-361-3869 (Canada, langue française).

Cartouche de recharge du pré-filtre/post-filtre FX12P	Bloc de charbon
Cartouche de recharge du système de filtration FX12M	Pellicule mince en polyamide

ATTENTION : Avant d'effectuer l'entretien du système de filtration, fermez le robinet d'alimentation/souppape à étrier et ouvrez le robinet d'eau RO. Permettez au système de se vider.

Trousse pour le test d'eau

Ce système de filtration par osmose inversée comporte un élément de traitement remplaçable indispensable pour assurer une réduction efficace des matières solides totalement dissoutes (TDS). Ce produit sera testé périodiquement pour s'assurer que le système fonctionne de manière satisfaisante. Suivez les instructions incluses dans la trousse. L'eau produite doit être testée au minimum tous les six mois. Une trousse de recharge vous sera fournie avec les résultats de chaque test effectué.

Cartouche de recharge pour le pré-filtre et le post-filtre

Suivez les étapes de la section *Désinfection du système de filtration par osmose inversée*.

EXCEPTION : jeter les filtres usés et les remplacer avec des filtres neufs.

Entretien et nettoyage—Procédure de remplacement de la cartouche du RO, incluant la désinfection.

Assurez-vous de laver vos mains avec du savon anti-bactéries avant de manipuler les éléments internes du système.

1 Fermez le robinet d'alimentation du système de filtration par osmose inversée. Ouvrez le robinet RO et laissez le réservoir ouvert. Permettez l'eau présente dans le système de se vider complètement (cette opération dure plusieurs minutes).

Si votre système de filtration est raccordé au dispositif de fabrication de glace du réfrigérateur, VOUS DEVEZ arrêter l'appareil de fabrication de glace en soulevant la tige de détection avant de travailler sur le filtre, avant de remplacer les filtres ou avant de purger le système. Quatre heures après l'entretien de l'appareil, abaisser la tige de détection pour remettre l'appareil de fabrication de glace en marche.

2 Retirez le système de filtration de son placard sans débrancher les conduites. Placez une serviette sèche sous l'appareil pour absorber l'eau qui coulera pendant le démontage.

3 Dévissez le couvercle de l'orifice d'admission afin d'ouvrir le logement du système de filtration à osmose inversée.

La désinfection du système est effectuée avec la cartouche du système de filtration et les cartouches de filtre démontées du système.

4 Démontez la cartouche du système de filtration de son logement en tenant l'extrémité de la cartouche à l'aide de pinces propres et en tirant sur la droite.

NOTE : Il est possible que l'eau soit décolorée lorsque la cartouche est démontée. Ceci est NORMAL. Placez la cartouche dans un sac en plastique propre pour la mettre à l'abri de tout dommage jusqu'à ce que l'élément ait été remonté.

5 Remontez le bouchon de la conduite d'admission en s'assurant que le joint torique est en place.

6 Retirez le corps de filtre du POST-FILTRE en le tournant vers la gauche à l'aide de la clef pour corps de filtre fournie avec le système. Faites attention lorsque vous démontez le corps de filtre étant donné qu'il est rempli d'eau. Retirez la cartouche usée du corps de filtre et jetez-la. Vérifiez le corps de filtre. Assurez-vous que le joint torique est bien placé à la partie supérieure du corps de filtre. Remontez le corps de filtre (sans la cartouche) pour la désinfection.

7 Retirez le corps de filtre du PRÉ-FILTRE à l'aide de la clef pour corps de filtre et jetez la cartouche usée. Assurez-vous que le joint torique est bien placé à la partie supérieure du corps de filtre.

Mesures de sécurité

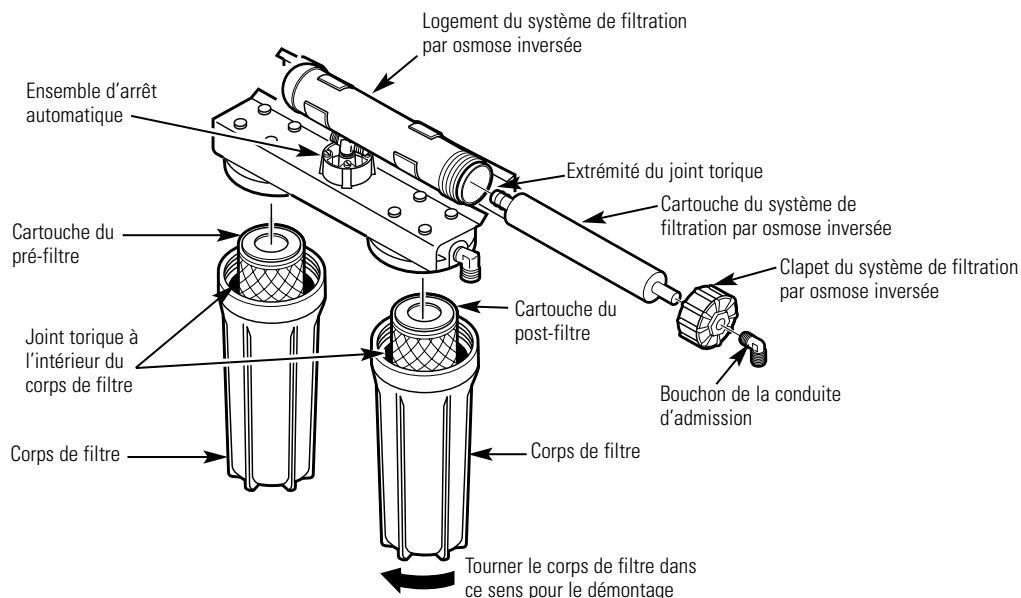
Fonctionnement

Installation

Conseils de dépannage

Service à la clientèle

Entretien et nettoyage—Procédure de remplacement de la cartouche du RO, incluant la désinfection.



8 Désinfectez le système.

⚠ ATTENTION : Avant l'ajout de produit désinfectant, assurez-vous de bien retirer toutes les cartouches comme indiqué ci-dessus. **Le chlore détruira la cartouche du système de filtration par osmose inversée. La désinfection du système est effectuée avec la cartouche du système et celles des filtres retirées du système.**

- a** Avant de remonter le corps de filtre du PRÉ-FILTRE, remplissez-le avec de l'eau froide à environ 2,54 cm (1 po) du joint torique. Ajoutez une once (35 ml deux cuillères à café) d'Eau de Javel ordinaire concentrée à 5,25% (Hilex, Clorox, etc) et la mélangez à l'eau. **N'AJOUTEZ PAS LE CHLORE (EAU DE JAVEL) EN PREMIER. Le chlore concentré peut endommager le plastique.**

- b** Remontez le corps de filtre avec soin sur le système de filtration par osmose inversée et le serrez à la main de façon sûre.
- c** Fermez le robinet d'eau RO et ouvrez le robinet d'alimentation d'eau au système. Permettez au système de se remplir pendant une minute.

NOTE : Au cours de la désinfection, de multiples sons se feront entendre. **N'UTILISEZ PAS L'EAU AU COURS DE CETTE OPÉRATION.**

- d** Ouvrez le robinet d'eau RO et verrouillez le levier vers le haut contre le bec. Permettez à l'eau de s'écouler à travers du système de filtration par osmose inversée jusqu'à ce que toute odeur d'Eau de Javel a disparu (après 20 minutes environ).
- e** Fermez le robinet d'alimentation d'eau du système mais laissez le robinet RO ouvert. Une fois que le débit d'eau s'est arrêté, passez à l'étape 9.

- 9 Assurez-vous de vous être lavé les mains avec le savon anti-bactéries.** Répétez les opérations des étapes 3–6 et 8b; cependant, remontez la cartouche du système de filtration placé dans le sac en plastique ainsi que les nouveaux PRÉ-FILTRE et le POST-FILTRE au lieu de les enlever. Mettez une légère couche de graisse sur le couvercle de la conduite d'admission et sur les joints toriques du corps de filtre. Utilisez uniquement que de la graisse au silicone.

NOTE : La cartouche du système de filtration comporte une encoche et il peut être nécessaire de la tourner au cours du remontage pour qu'elle soit correctement mise en place.

- 10** Ouvrez le robinet d'alimentation du système de filtration par osmose inversée et allouez environ quatre heures pour la régénération et la stabilisation du système. Vérifiez qu'il n'y a pas de fuites. Le système peut émettre des sons au cours de cette période. Ceci est normal.
- 11** Remplacez les piles alcalines "AA" se trouvant dans le boîtier de commande. Il est nécessaire de disposer de piles en bon état pour assurer le fonctionnement correct du voyant indicateur. Des piles faibles peuvent donner une indication erronée. Ces piles doivent être remplacées tous les six mois.
- 12** Avant la première utilisation consécutive à un changement de filtre, purgez le système en ouvrant le robinet d'eau RO pendant une minute afin d'éliminer tout dépôt de particules de charbon. Si le système est raccordé au dispositif de fabrication de glace de votre réfrigérateur, remplacez la tige de détection du dispositif sur la position On (marche) (vers le bas) après la période de régénération de quatre heures.

Remplacement de la cartouche du système de filtration par osmose inversée

NOTE : Lors du remplacement de la cartouche du système de filtration par osmose inversée, montez aussi un régulateur de débit et un tamis. Voyez la section *Régulation de débit et tamis*.

Si votre système de filtration est raccordé au dispositif de fabrication de glace du réfrigérateur, **VOUS DEVEZ** arrêter l'appareil de fabrication de glace en soulevant la tige de détection avant de travailler sur le filtre, avant de remplacer les filtres ou avant de purger le système. Quatre heures après l'entretien de l'appareil, abaissez la tige de détection pour remettre l'appareil de fabrication de glace en marche.

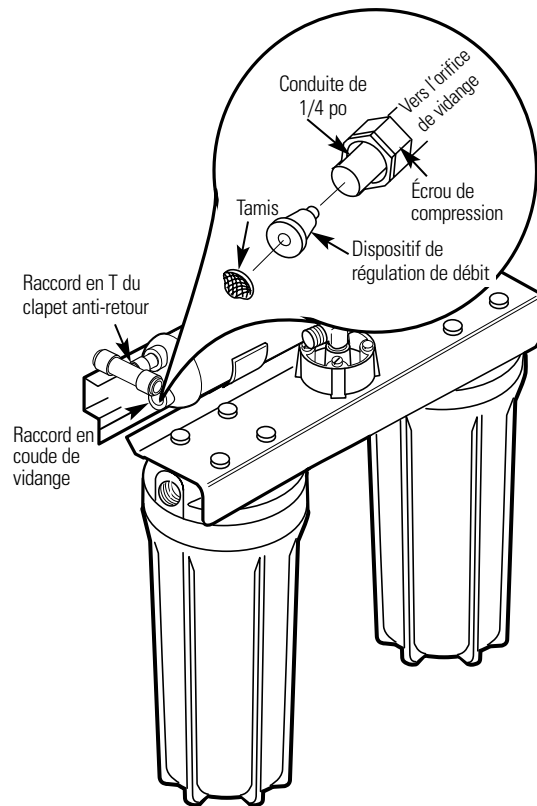
Assurez-vous de vous être lavé les mains avec du savon anti-bactéries avant de manipuler les éléments internes du système.

- 1 Fermez le robinet d'alimentation d'eau au système de filtration (dans le sens horaire) et ouvrez le robinet d'eau RO. Permettez au système de se vider complètement (ceci nécessite plusieurs minutes).

⚠ ATTENTION : La non-fermeture du robinet d'alimentation d'eau entraînera le giclage de l'eau ou son écoulement lorsque les corps de filtres sont démontés.

- 2 Retirez le système de filtration de son placard et laissez les conduites branchées. Placez une serviette sèche sous l'appareil.
- 3 Dévissez le couvercle de l'orifice d'admission afin d'ouvrir le logement du système de filtration à osmose inversée.
- 4 À l'aide de pinces, retirez la cartouche du logement et jetez celle-ci.

- 5 Désinfectez le système. Voyez la *Procédure de remplacement du filtre*, incluant la section traitant de la désinfection. Effectuez les étapes 5–9. Cependant, placez les filtres dans des sacs en plastique propres. Remontez-les à l'étape 9.



Entretien et nettoyage—Procédure de remplacement de la cartouche du RO, incluant la désinfection.

- 6 Montez un nouveau régulateur de débit et un tamis.
- a Montez le coude de la conduite de vidange à proximité du raccord en T du clapet anti-retour en laiton.
- b Dévissez l'écrou de compression.
- c Retirez le régulateur de débit avec une lame de couteau propre. Retirez le tamis; il est possible qu'un cure-dent soit nécessaire.
- d Si vous remplacez le régulateur de débit et le tamis, jetez-les. Si vous vérifiez le régulateur de débit, le tamis et le tuyau pour savoir s'il y a obturation, nettoyez ces pièces pour vous débarrasser des débris. Ne soufflez pas dans le régulateur de débit pour ne pas contaminer l'élément.
- e Remplacez le tamis en plaçant l'extrémité du cône dans le couvercle du coude et le pousser à l'intérieur avec précaution.
- ! ATTENTION :** Si vous sentez de la résistance, ne forcez pas. Vérifiez visuellement qu'il a été mis en place correctement.
- f Montez le régulateur de débit et serrez le joint de compression à la main et donnez un autre 1/4 de tour avec les pinces. **NE SERREZ PAS EXCESSIVEMENT, CE QUI ÉCRASERAIT LA CONDUITE ET LE RÉGULATEUR DE DÉBIT.**
- 7 Dévissez le couvercle de l'orifice d'admission afin de le retirer.
- 8 Montez la nouvelle cartouche du système par osmose inversée.
- NOTE :** L'extrémité du joint torique de la cartouche comporte une encoche et il peut être nécessaire de le tourner au cours du remontage pour qu'il s'emboîte correctement.
- 9 Graissez légèrement le joint torique en utilisant exclusivement de la graisse au silicone propre.
- 10 Remettez en place le couvercle de l'orifice d'admission.
- 11 Faites couler l'eau et vérifiez s'il y a des fuites.
- 12 Purgez le système de filtration.
- a Ouvrez le robinet d'eau RO jusqu'à ce que le réservoir soit vide et que le débit d'eau s'arrête.
- b Après avoir rempli et vidé le réservoir quatre fois, le système est prêt à fournir de l'eau pour votre utilisation.
- ! ATTENTION :** La cartouche du système de filtration par osmose inversée contient un préservatif pour aliments qui doit être purgé du système avant la première utilisation ou lorsque la cartouche est remplacée. Le préservatif donnera à l'eau produite un goût et une odeur désagréables.
- 13 Remettez l'appareil de fabrication de glace en marche en abaissant la tige de détection.

Recommandations d'installation importantes

Lisez le manuel au complet. Le non-respect des guides et des règles à suivre pourrait entraîner des blessures corporelles ou des dommages à la propriété.

- **ASSUREZ-VOUS DE RESPECTER TOUS LES CODES LOCAUX OU DE L'ÉTAT QUI SONT APPLICABLES.**
- Faites appel à un installateur qualifié.
- Ne montez pas le système de filtration par osmose inversée à l'extérieur ou à un endroit soumis à des extrêmes de températures (chaud ou froid). **NE FAITES PAS L'INSTALLATION SUR UNE CONDUITE D'EAU BOUILLANTE.**
- L'installation recommandée de l'appareil est sous l'évier. Cependant, il est possible de l'installer à un endroit éloigné jusqu'à une distance de 30 pi de l'évier. Il peut être nécessaire de se procurer du matériel complémentaire dans ce cas.
- Si le système de filtration est raccordé à l'appareil de fabrication de glace d'un réfrigérateur, une trousse d'installation spéciale est nécessaire (RVKIT). N'utilisez pas des conduites en cuivre pour effectuer le raccord entre le réfrigérateur et l'appareil.
- Assurez-vous que les spécifications de l'eau sont conformes aux valeurs communiquées; voyez la section *Guide des spécifications*. Si les spécifications de l'eau sont inconnues, contactez votre fournisseur municipal d'eau ou votre service de santé local pour vous procurer une liste des contaminants de votre zone d'habitation et une liste des laboratoires homologués par votre état qui sont en mesure d'analyser l'eau potable.

⚠ MISE EN GARDE : N'utilisez pas l'appareil avec de l'eau qui n'est pas sûre microbiologiquement ou de qualité inconnue sans qu'elle n'ait été désinfectée avant l'entrée ou la sortie de celui-ci. Les appareils homologués pour la réduction des bactéries peuvent être utilisés pour le filtrage de l'eau qui a été désinfectée pouvant contenir des bactéries filtrables. Le système ne sera utilisé que pour la réduction d'arsenic dans des eaux contenant du chlore sans résidus à l'orifice d'admission de l'appareil. Les systèmes d'alimentation d'eau utilisant un dispositif de chloration en ligne doivent être en mesure d'assurer un "temps de contact du chlore de une minute" avant le système RO. Cet appareil comporte une cartouche avec membrane remplaçable essentielle pour réduire efficacement les matières solides totalement dissolvables (TSD). Il est nécessaire de tester l'eau périodiquement afin de s'assurer que l'appareil fonctionne de manière satisfaisante. L'appareil est acceptable pour des concentrations maximum de nitrates à 27 mg par litre et de nitre à 3 mg par litre en combinaison appelée N. Il est certifié pour la réduction de nitrate/nitre dans de l'eau dont la pression est égale ou supérieure à 280kPA (40psig). Les composants de petite taille demeurant après l'installation peuvent présenter un danger d'étouffement si ingérés. Débarrassez-vous en.

Outillage et matériel requis pour l'installation

- Perceuse sans fil alimentée par batterie
- Mèche de perceuse de 1/4 po
- Mèche de perceuse de 1-1/4 po (du type nécessaire) si le montage est requis pour le robinet
- Clefs à molette réglables
- Tournevis normaux et Phillips
- Couteau
- Liste des composants de l'appareil :
 - Ensemble de filtration par osmose inversée
 - Imprimés concernant l'appareil (manuel d'utilisation et d'installation, vidéo sur l'utilisation et l'entretien, fiche de performances et carte d'enregistrement à remplir par le propriétaire)
 - Sac contenant les éléments des robinets d'alimentation
 - Adaptateur de la conduite de vidange
 - Conduite (longueur 68,6 cm [27 po], diamètre 3/8 po)
 - Réservoir
 - Étiquettes de rappel pour le remplacement des filtres
 - Trousse de test de l'eau

RESPONSABILITÉ DE L'INSTALLATEUR : Le robinet d'alimentation d'eau (voyez la section *Alimentation de l'eau*) est inclus pour être utilisé dans les zones autorisées par les codes. **L'installateur doit se conformer aux codes locaux ou ceux de l'état.** S'il n'est pas en mesure de le faire, il doit fournir les raccords permettant de prélever l'eau de la conduite d'eau froide pour alimenter le système de filtration par osmose inversée (les raccords doivent s'adapter à une conduite OD de 1/4 po de diamètre).

Instructions d'installation.

Points à vérifier avant de commencer l'installation

EAU D'ALIMENTATION—L'eau alimentant le système de filtration par osmose inversée monté sous le comptoir doit présenter des qualités répertoriées dans les spécifications (voyez la section *Guide des spécifications*). Dans la plupart des cas, l'eau fournie par les municipalités répond à ces spécifications. **L'eau de puits peut requérir un traitement**—Faites-la tester par un laboratoire d'analyses et suivez leurs recommandations pour traitement.

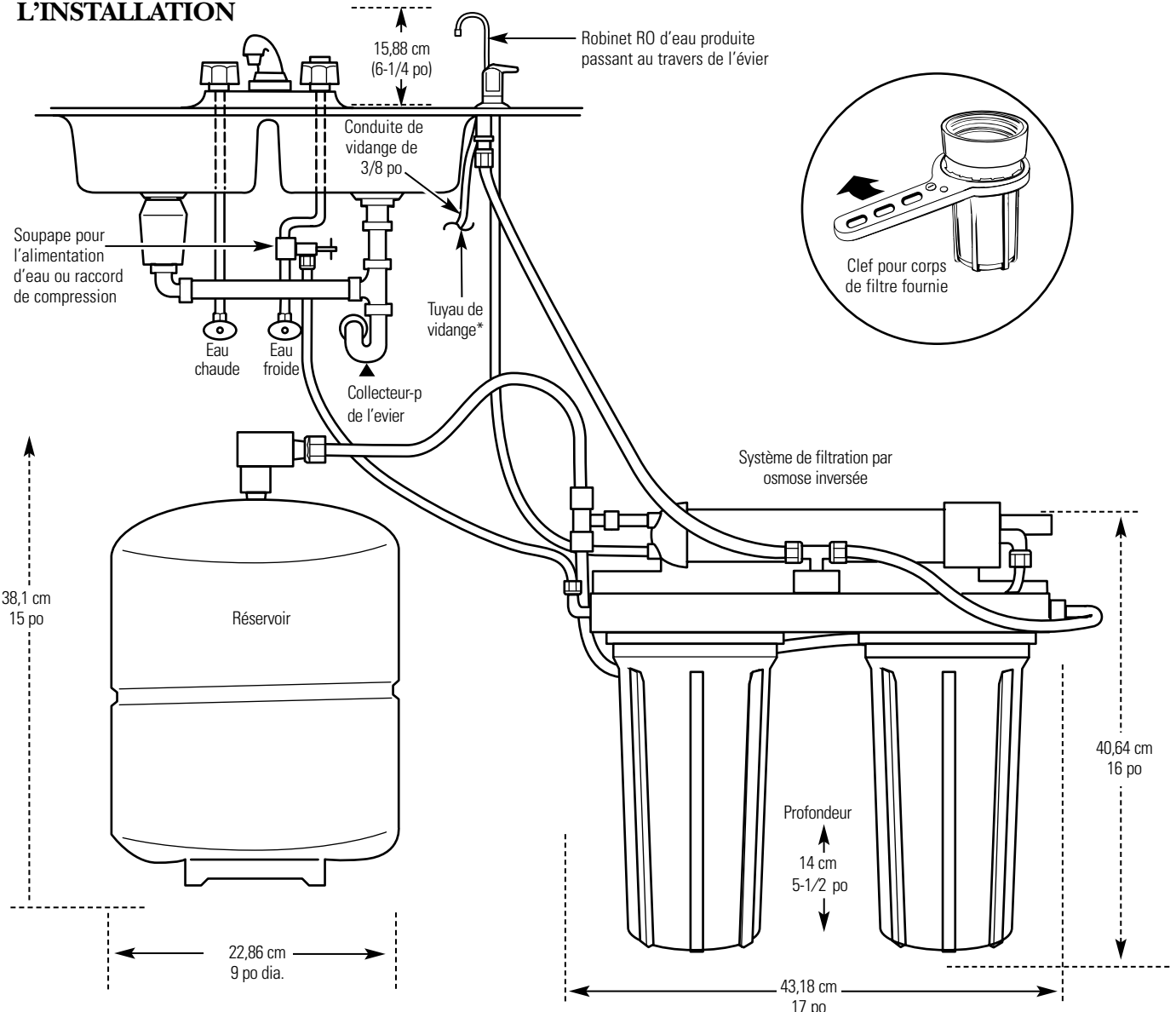
⚠ ATTENTION: Lorsque la dureté de l'eau est supérieure à 10 grains (à un pH de 6,9), il est recommandé d'utiliser un adoucisseur. Si un adoucisseur n'est pas utilisé, la durée de vie de la membrane du système de filtration sera réduite. Voyez la section *Guide des spécifications* pour les informations complémentaires concernant la nécessité de disposer d'un adoucisseur.

POINT DE VIDANGE*—L'eau évacuée provenant de la membrane du système de filtration nécessite un point de vidange approprié et un espace d'air (*vérifiez vos codes locaux*).

ROBINET RO—Le robinet d'eau produite RO est monté sur l'évier ou sur le comptoir à proximité de l'évier. Souvent, il est monté dans l'orifice de l'arrosoir existant. Il est nécessaire de disposer d'un espace suffisant sous l'évier ou le comptoir pour la conduite reliée au robinet ou en provenance de celui-ci et pour le montage du robinet. Tous les raccordements de robinet, conformément aux méthodes de montage, sont effectués sur ou au dessus de l'évier ou du comptoir. Voyez la figure 1 ci-dessous.

INSTALLATION DANS UN SOUS-SOL—Si l'installation est effectuée dans un sous-sol, ménagez une longueur de conduite suffisante au cours de l'installation afin de faciliter l'entretien et d'assurer le remplacement des filtres/membrane.

Fig. 1. APERÇU DE L'INSTALLATION



Instructions d'installation étape par étape.

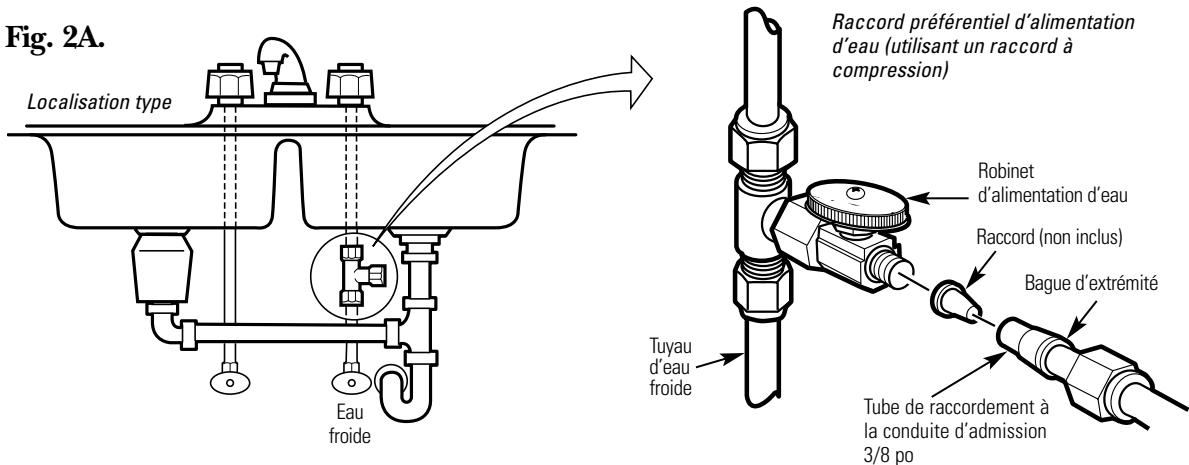
Alimentation d'eau

Vérifiez et conformez-vous aux codes de plomberie lors de la planification puis installez un raccord d'alimentation d'eau froide. Pour les installations effectuées dans des nouvelles habitations utilisant les raccords de plomberie standards, examinez d'abord les deux schémas ci-dessous. Une installation type pour les habitations existantes utilisant la soupape à étrier est illustrée sur le troisième schéma ci-dessous.

A. INSTALLATION PRÉFÉRENTIELLE

- 1 Fermez l'arrivée d'eau froide.
- 2 Pour respecter les codes de plomberie, montez un raccord sur le tuyau d'eau froide pour y adapter un tube de 3/8 po OD. Un raccord type est illustré sur le schéma de droite (pièces non incluses). Assurez-vous qu'un robinet d'alimentation est fourni.

Fig. 2A.



B. INSTALLATION OPTIONNELLE EFFECTUÉE DANS UN DOMICILE Lorsque les codes l'autorisent

***Pour OD de 1/2 po ou tube métallique de plus grandes dimensions.**

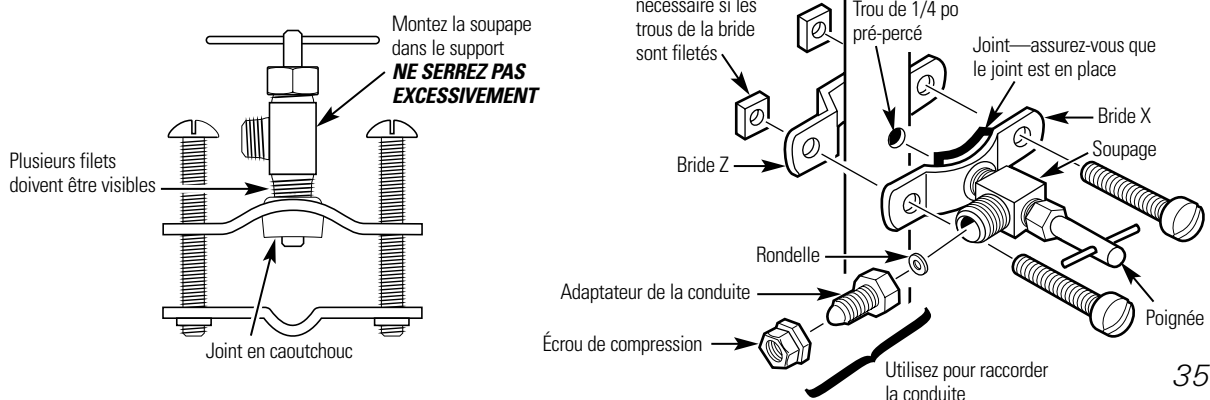
NOTE : Les codes de l'état du Massachusetts exigent que l'installation soit effectuée par un plombier certifié et ne permettent pas l'utilisation de soupapes à étrier. Pour l'installation, utilisez le code 248-CMR du Commonwealth du Massachusetts.

- 1 Fermez l'arrivée d'eau froide et montez la soupape à étrier comme illustré à droite.

⚠ DANGER : Pour vous mettre à l'abri de blessures graves ou de choc électrique fatal, utilisez une perceuse alimentée par batterie pour faire le trou. **N'UTILISEZ PAS DE PERCEUSE ÉLECTRIQUE.**

- 2 Fermez le robinet d'alimentation d'eau en tournant la commande dans le sens horaire.
- 3 Ouvrez le robinet principal d'alimentation et plusieurs autres robinets de l'habitation afin de purger l'air du système. Fermez les robinets une fois que l'écoulement d'eau est régulier.

Fig. 2B.



Instructions d'installation étape par étape.

Raccordements à la conduite de vidange

Vérifiez et conformez-vous aux codes de plomberie lors de la planification.

⚠ ATTENTION : Les options décrites ci-dessous représentent **UNIQUEMENT** les configurations d'installation homologuées. N'utilisez pas de systèmes comportant des soupapes à étrier.

NOTE : Le non-respect de ces instructions d'installation annulera la garantie. L'installateur est responsable de toute intervention pour le service, des réparations ou des dommages causés par ce non-respect.

Options d'installation préférentielles (Options A, B et C)

OPTION A.

INSTALLATION DU SYSTÈME AU SOUS-SOL (Fig. 3A)

Acheminez DIRECTEMENT la conduite de vidange du système de filtration par osmose inversée à un évier du sous-sol, en dérivant l'espace d'air ménagé dans le robinet. Il est aussi possible de diriger la conduite de vidange sur un orifice d'évacuation du sol ou encore dans une baignoire sous réserve que l'espace d'air du sous-sol est respecté. Évitez de faire des boucles et autres formes non rectilignes avec la conduite. L'espace d'air dans le sous-sol et la configuration de l'installation de vidange doivent être conformes à tous les codes locaux. Des raccords spéciaux pour l'espace d'air sont disponibles pour le raccordement de la conduite à l'évier.

OPTION B.

INSTALLATION DISTINCTE DE L'ÉVENT—CLAPET-2P (MISE À L'AIR LIBRE DU TYPE SEC) (Fig. 3B)

Installez un clapet-p de mise à l'air libre du type sec sous l'évier, lequel sera utilisé exclusivement pour la conduite de vidange du système de filtration par osmose inversée. Un clapet-p de mise à l'air libre du type sec est un clapet-p comportant son propre dispositif de mise à l'air libre/évent. Raccordez l'adaptateur de conduite fourni avec le système au clapet-p et fixez-le à l'aide de l'écrou pour joint coulissant et la rondelle comme indiqué sur le schéma. Acheminez la conduite de vidange de l'espace d'air à l'adaptateur de la conduite en vous assurant qu'elle est rectiligne et ne comporte pas de boucles qui pourraient causer un bouchage de la conduite. L'adaptateur de la conduite doit être aligné verticalement de telle façon que le branchement du tuyau soit à 45° par rapport à la verticale (voyez la figure 3E.). La conduite de vidange doit passer au travers de l'espace d'air ménagé dans le robinet d'eau RO.

OPTION C.

INSTALLATION AVEC ÉVENT PARTAGÉ—CLAPET-2P (MISE À L'AIR LIBRE DU TYPE HUMIDE) (Fig. 3C)

Installez un clapet-p de mise à l'air libre du type humide sous l'évier, lequel sera utilisé exclusivement pour la conduite de vidange du système de filtration par osmose inversée. Un clapet-p de mise à l'air libre du type humide est un clapet-p qui partage un dispositif de mise à l'air libre/évent. Raccordez l'adaptateur de conduite fourni avec le système au clapet-p et fixez-le à l'aide de l'écrou pour joint coulissant et la rondelle comme indiqué sur le schéma. Acheminez la conduite de vidange de l'espace d'air à l'adaptateur de la conduite en vous assurant qu'elle est rectiligne et ne comporte pas de boucles qui pourraient causer un bouchage de la conduite. L'adaptateur de la conduite doit être aligné verticalement de telle façon que le branchement du tuyau soit à 45° par rapport à la verticale (voyez la figure 3E.). La conduite de vidange doit passer au travers de l'espace d'air ménagé dans le robinet d'eau RO. Montez le clapet-p aussi haut que possible (minimum de 4 po au dessus du tuyau horizontal du second évier ou compacteur).

Fig. 3A.

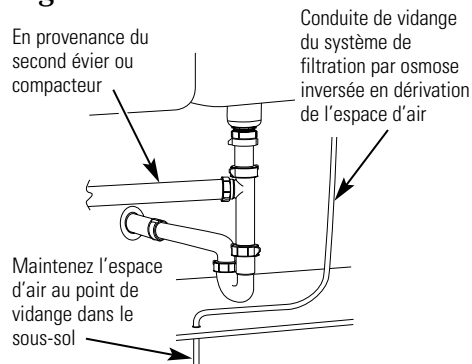


Fig. 3B.

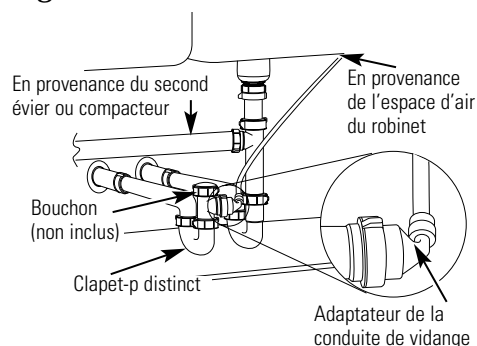
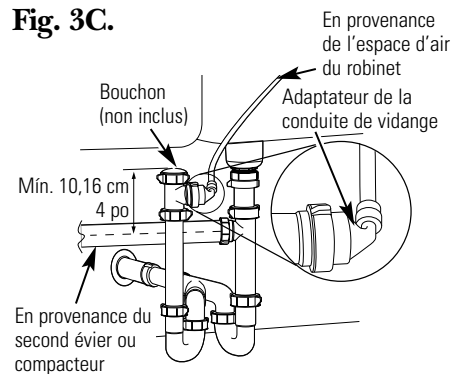


Fig. 3C.



Raccordements à la conduite de vidange

Recommandation secondaire

(Utilisez uniquement s'il n'est pas possible d'appliquer les options A, B ou C de la page 13).

OPTION D.

INSTALLATION DE L'ADAPTATEUR DE LA CONDUITE DE VIDANGE (Fig. 3D)

N'INSTALLEZ PAS la conduite de vidange en aval d'un compacteur ou dans un tuyau horizontal. Installez l'adaptateur pour conduite de vidange qui est fourni sous l'évier comme illustré. La chicane en T ou le raccord en Y indiqué doit être en place (si nécessaire, achetez-en un et installez-le) pour empêcher le bouchage de la conduite. Acheminez la conduite de vidange de l'espace d'air à l'adaptateur de la conduite en s'assurant qu'elle est rectiligne et ne comporte pas de boucles qui pourraient causer un bouchage de la conduite. L'adaptateur de la conduite doit être aligné verticalement de telle façon que le branchement du tuyau soit à 45 degrés par rapport à la verticale (voyez la figure 3E.). Cette installation PEUT causer un petit bruit dans la conduite de l'évier lorsque le système de filtration par osmose inversée fonctionne. Tournez l'ensemble de l'adaptateur en T lentement jusqu'à ce que le bruit est réduit au minimum. En général, une rotation de 180° par rapport au tuyau horizontal/chicane en T est une bonne solution.

⚠ ATTENTION!

N'INSTALLEZ PAS L'ADAPTATEUR DE LA CONDUITE DE VIDANGE EN AVAL DU COMPACTEUR.

Une fois installé, le tuyau ne doit comporter aucun tortillement, boucle, etc. Il doit être coupé à la dimension appropriée pour assurer une jonction rectiligne entre le robinet et l'orifice de vidange (Fig. 3F). Voyez les instructions à la section *Raccordements à la conduite de vidange* pour les détails et options.

UNE INSTALLATION DÉFECTUEUSE ENTRAÎNERA LE REFOULEMENT DE L'EAU DANS LA CONDUITE DE VIDANGE ET CETTE EAU FUIRA AU ROBINET!

Fig. 3F.

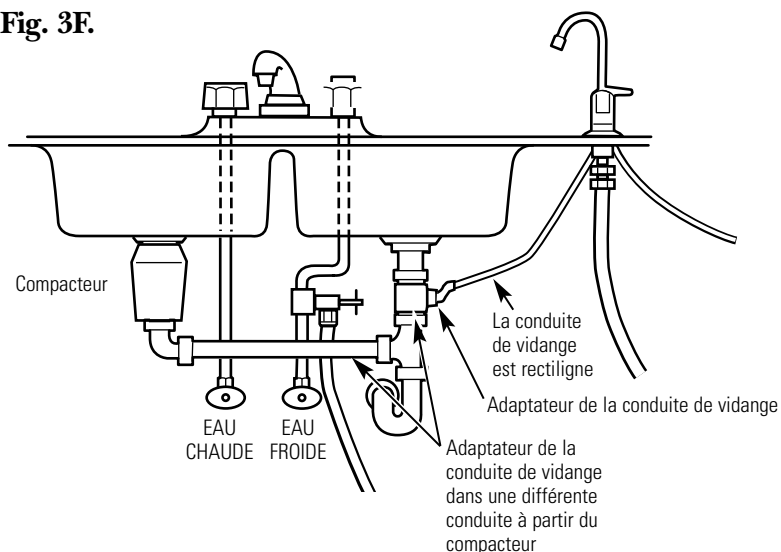


Fig. 3D.

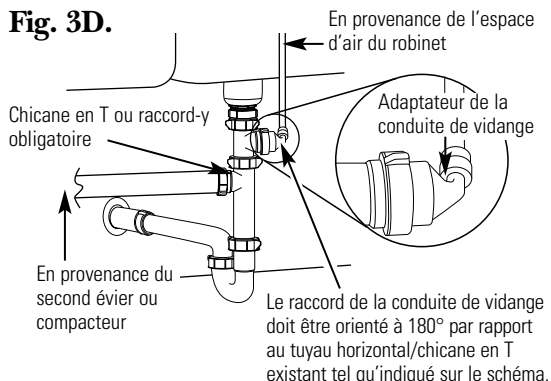
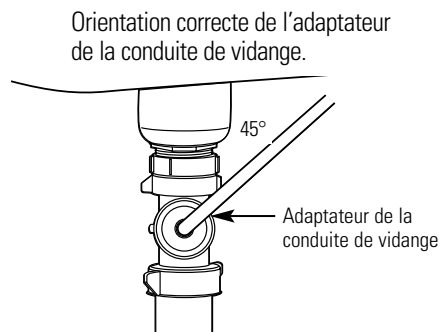


Fig. 3E.



Instructions d'installation étape par étape.

Installation du robinet

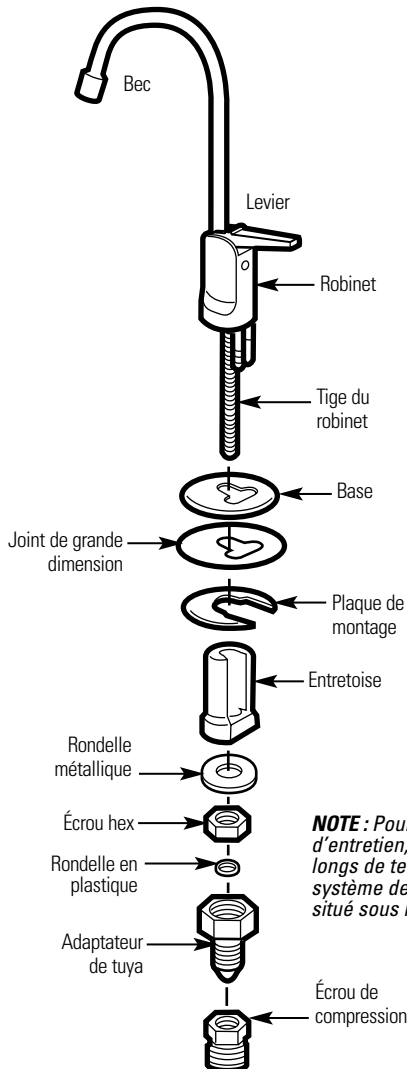
Assurez-vous que vous disposez d'un espace suffisant sous l'évier pour faire les raccordements. Choisissez l'un des endroits suivants pour l'installation du robinet :

- PRISE du tuyau de pulvérisation d'eau ou du distributeur de savon liquide de l'évier.
- ORIFICE devant être percé sur la partie supérieure de l'évier.
- ORIFICE devant être percé sur la partie supérieure du comptoir

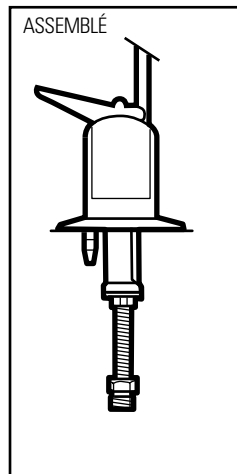
NOTE : En vous basant sur le schéma de la Fig. 4B, assurez-vous que la base du robinet s'adapte sur la surface de la position sélectionnée pour assurer une bonne jonction du robinet et de la surface.

- 1 Si un perçage est nécessaire, faites un trou de 1-1/4 po de diamètre. **Assurez-vous que vous suivez la bonne procédure pour le perçage de la porcelaine ou de l'acier inoxydable.**
- 2 Positionnez la base du robinet sur la tige filetée (collet faisant face vers le bas). Ensuite, placez le grand joint sur la tige filetée en vous assurant que la tige et les deux tenons s'adaptent au travers du joint. Placez l'entretoise sur la tige (extrémité ouverte vers le haut) suivie de la rondelle métallique et de l'écrou hex (Fig. 4A).
- 3 Insérez la rondelle dans l'adaptateur du tuyau. Serrez de manière sécuritaire sur la tige du robinet.

Fig. 4A.

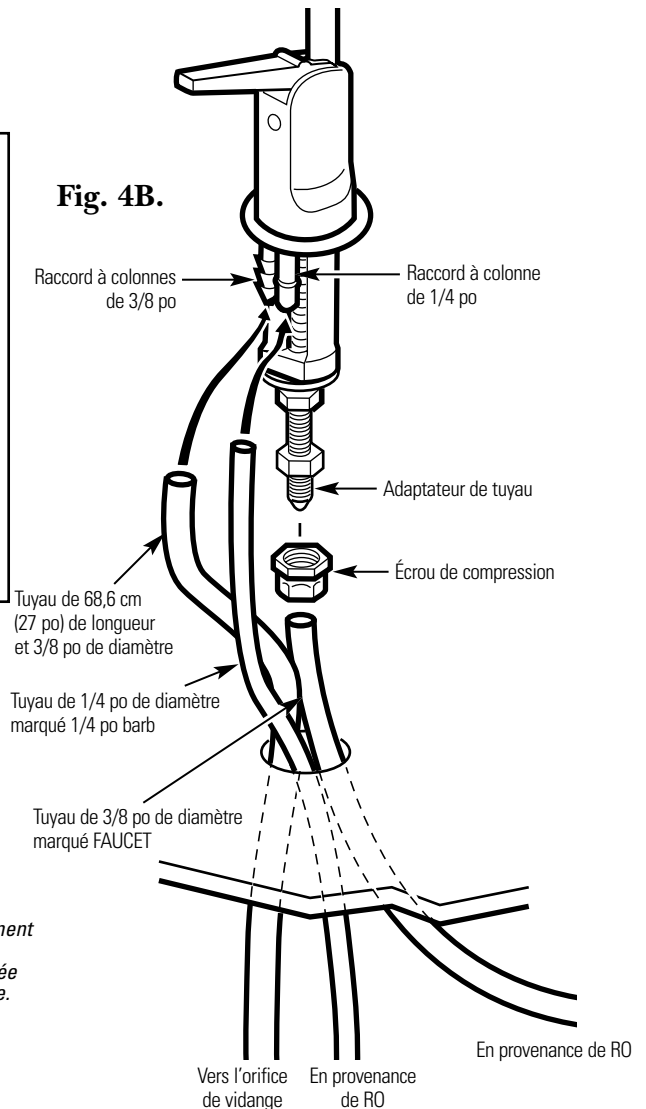


NOTE : Pour faciliter les opérations d'entretien, gardez les tuyaux suffisamment longs de telle façon que le retrait du système de filtration par osmose inversée situé sous le comptoir demeure possible.



- 4 Prenez le tuyau de 68,6 cm (27 po) de longueur et de 3/8 po de diamètre. Poussez complètement l'une des extrémités dans le raccord du robinet dont le diamètre est de 3/8 po (Fig. 4B).
- 5 Positionnez le système de filtration sous l'évier. En vous référant à la figure 5 de la page suivante, suspendez l'appareil sur la paroi du placard.
- 6 Acheminez le tuyau de 1/4 po de diamètre (identifié "1/4 po BARBON FAUCET") et le tuyau de 3/8 po de diamètre (identifié "FAUCET") vers le haut au travers du trou de montage :
 - a Poussez une extrémité du tuyau de 1/4 po dans le raccord à colonnes du robinet.
 - b À l'aide de l'écrou de compression, fixez le tuyau de 3/8 po au raccord à l'adaptateur et serrez l'écrou. Assurez-vous que le tuyau est parfaitement monté sur l'adaptateur.
- 7 Retirez le tuyau ayant servi à l'expédition de l'appareil et insérez le bec dans le corps du robinet.
- 8 Abaissez l'ensemble du robinet au travers de l'évier.
- 9 *Sous le comptoir*, placez la plaque de montage au dessus de l'entretoise et serrez correctement l'écrou hex.

Fig. 4B.



Tuyaux pour la vidange et l'alimentation d'eau

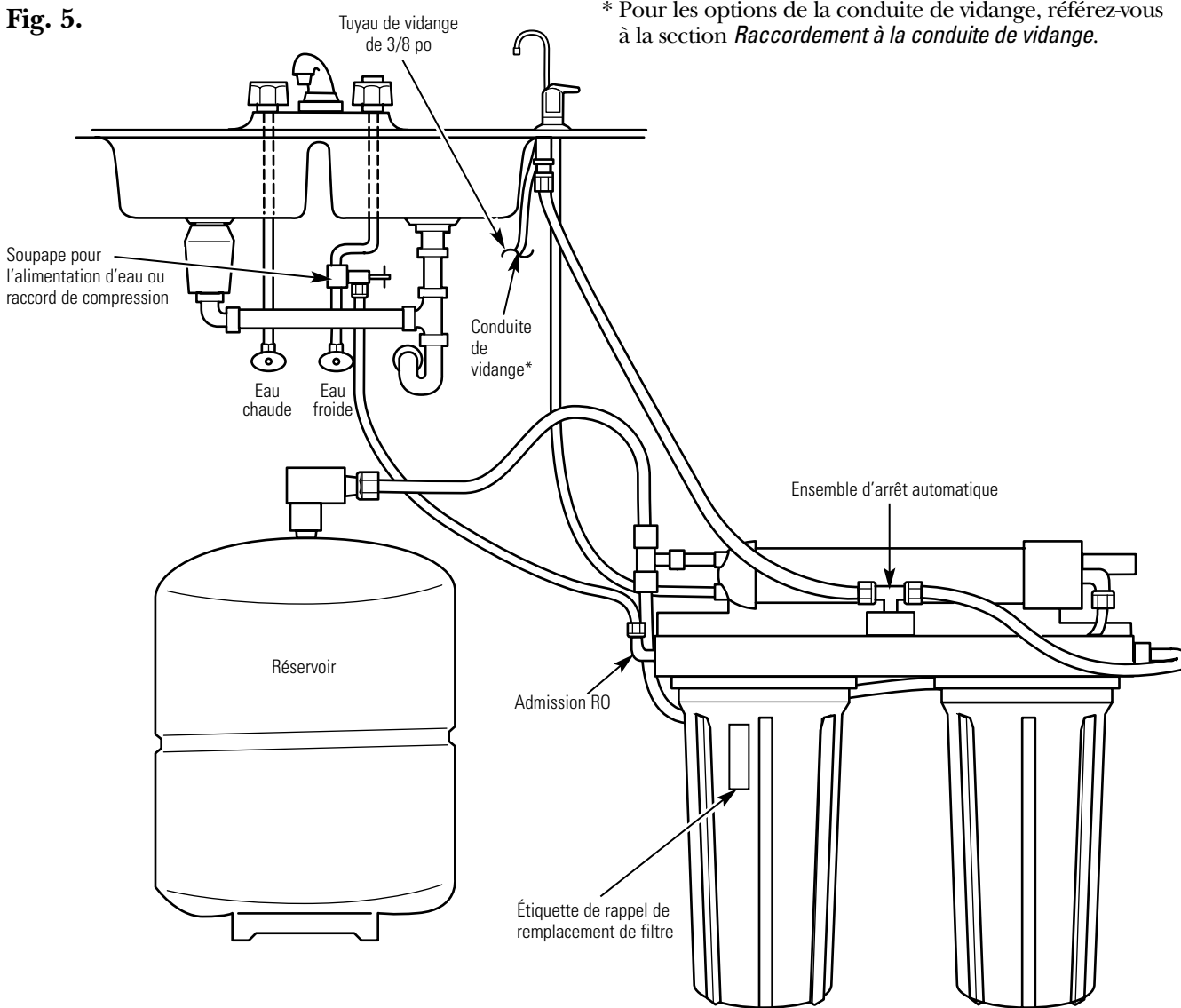
Si l'option A, INSTALLATION DU SYSTÈME AU SOUS-SO La été utilisée, passez à l'étape 2 (référez-vous à la section *Raccordement à la conduite de vidange*).

7 Si l'option B, C ou D de la page 36 ou 37 a été utilisée, raccordez le tuyau de vidange du robinet en reliant le tuyau de 68,6 cm (27 po) de longueur et de 3/8 po de diamètre au raccord à colonnes du robinet et au raccord de l'orifice de vidange (installé à la section *Raccordement à la conduite de vidange*). **Assurez-vous que le tuyau est aussi court et rectiligne que possible.** Coupez le tuyau selon les besoins et insérez-le dans le raccord de l'orifice de vidange (référez-vous à la Fig. 3B, 3C ou 3D de la section *Raccordement à la conduite de vidange*).

2 Pour raccorder le tuyau d'alimentation d'eau : Relier le tuyau de 1/4 po (marqué "WATER SUPPLY") au raccord d'admission du système de filtration et au raccord d'alimentation d'eau (voyez la Fig. 2A ou 2B, dans la section *Alimentation d'eau*) et serrez l'écrou de manière sécuritaire (utilisez un ruban de Teflon™ pour prévenir toute fuite).

3 Apposez l'étiquette de rappel de remplacement de filtre sur l'un des corps de filtre entre les nervures. Inscrivez la date de remplacement du filtre six mois à partir de la date d'installation.

Fig. 5.



Instructions d'installation étape par étape.

Installation de l'ensemble du système de filtration par osmose inversée et du réservoir

1. Tenez l'ensemble du système de filtration contre le mur où il sera installé. Marquez l'emplacement des vis et rondelles de fixation.
2. Fixez les rondelles au mur. Des vis à bois sont incluses pour fixation du système sur une surface en bois. Fournissez les autres vis si nécessaire.
3. Pendez l'ensemble du système aux rondelles de fixation.
4. Raccorder le tuyau au réservoir. Connectez le tuyau de 3/8 po (marqué "STORAGE TANK") au raccord en T du module du système de filtration et au robinet d'arrêt du réservoir. Utilisez un ruban en Teflon™ pour prévenir toute fuite.

Fig. 6A.

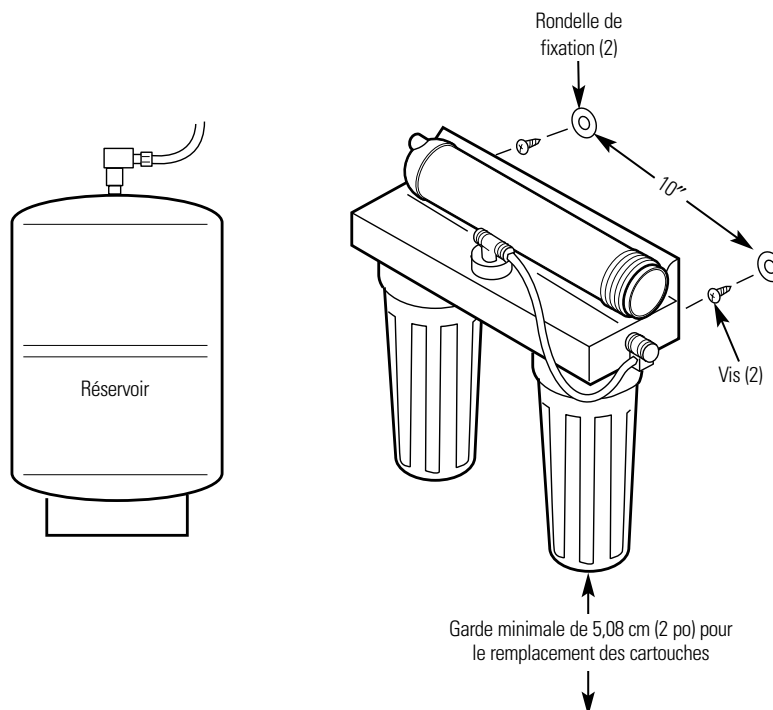
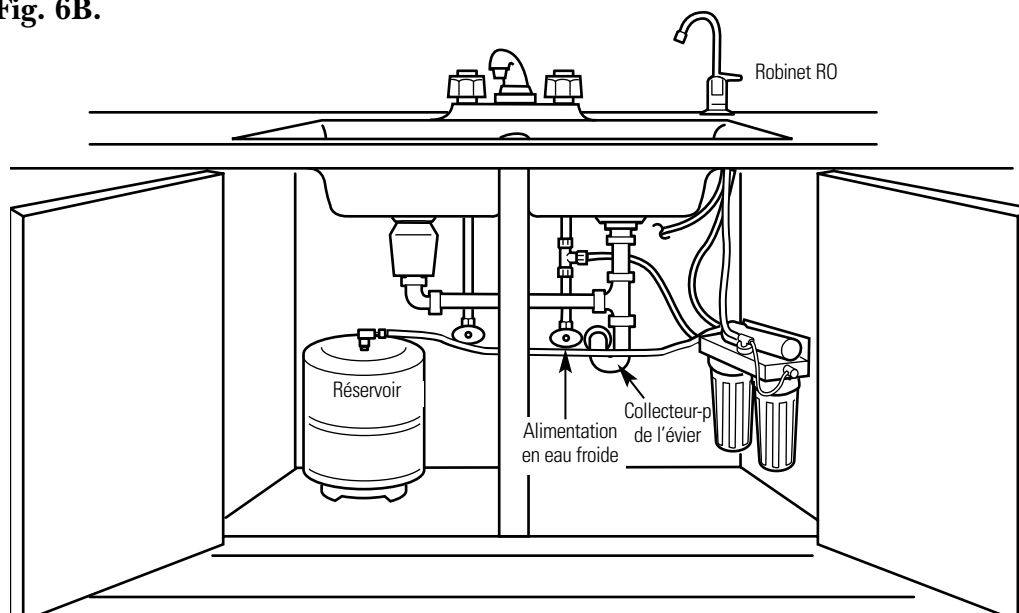


Fig. 6B.



*Pour les options de la conduite de vidange, référez-vous à la section *Raccordements à la conduite de vidange*.

À présent que votre système de filtration par osmose inversée est installé... Désinfectez

Désinfectez au cours de l'installation et après l'entretien des composants internes, incluant le remplacement du pré-filtre, du post-filtre et la cartouche du système de filtration par osmose inversée. Il est important que vous vous laviez les mains avec du savon anti-bactéries avant de manipuler les composants internes du système. Référez-vous à la section *Désinfection du système de filtration par osmose inversée*.

⚠ ATTENTION : Si le système est installé dans une nouvelle habitation, assurez-vous que les tuyaux ont été complètement rincés avant d'ouvrir le robinet d'alimentation d'eau. Et avant la désinfection, assurez-vous de retirer toutes les cartouches comme décrit à la section *Désinfection du système de filtration par osmose inversée*. Le chlore détruira la cartouche du système.

- 1 Effectuez les procédures *Remplacement des cartouches et Désinfectez le système* des pages 29–32, exception faite que vous devez réinstaller les filtres fournis avec l'appareil.
- 2 Purgez le système. Référez-vous à l'étape 12 de la section *Remplacement de la cartouche du système de filtration par osmose inversée*.
- 3 Vérifiez le système avec soin pour toute fuite éventuelle.

Liste de vérifications de l'installation

1. Tous les raccords de tuyaux sont-ils serrés? Ont-ils été raccordés aux points indiqués? Ya-t-il des fuites?
2. Avez-vous utilisé les options B, C ou D pour la conduite de vidange? Assurez-vous que le tuyau de vidange de 3/8 po reliant le robinet à l'orifice de vidange est rectiligne.
3. Le robinet d'arrêt d'alimentation d'eau est-il ouvert?
4. Avez-vous désinfecté et purgé le système?

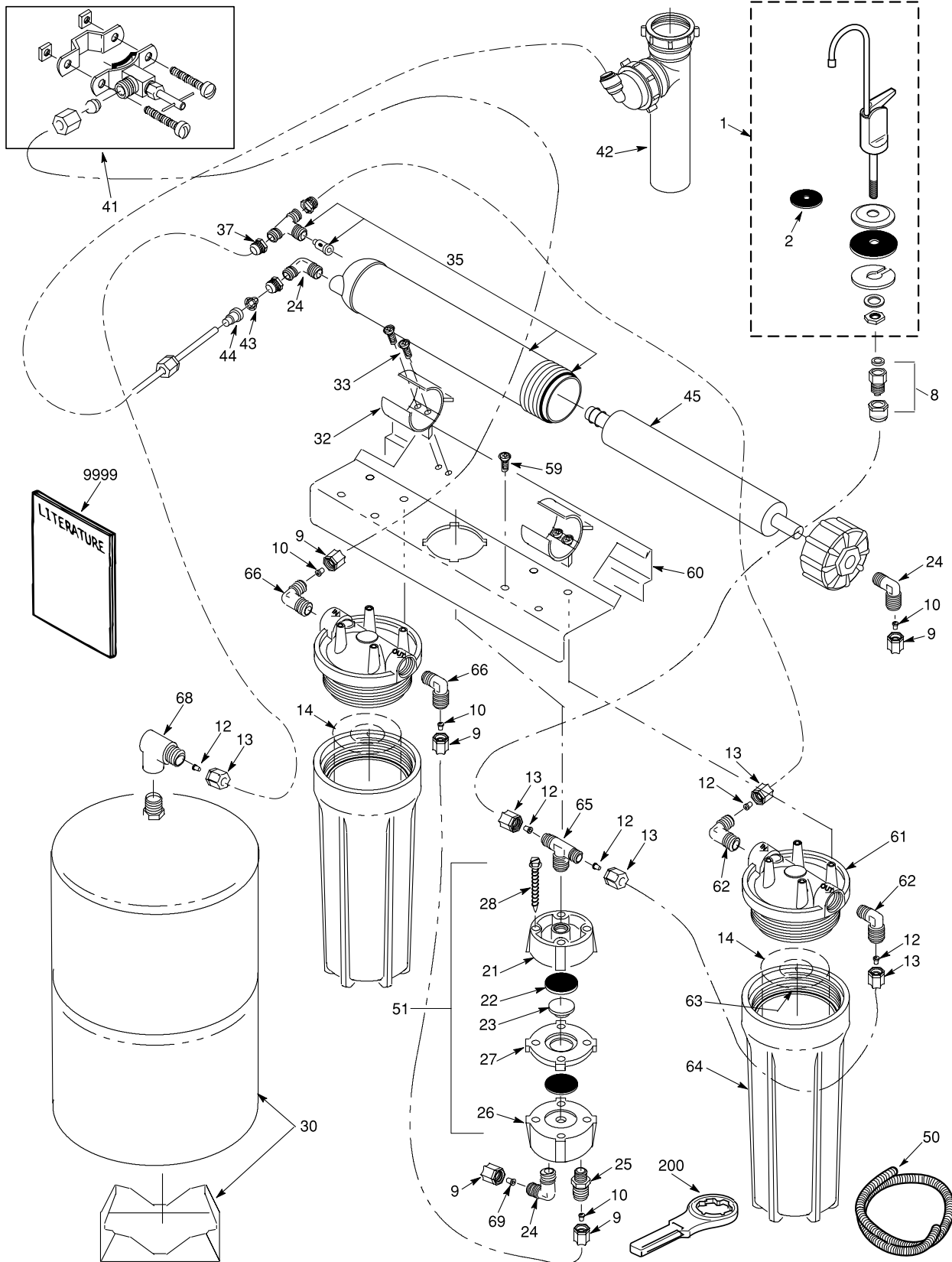
Avant d'appeler un réparateur...



Conseils de dépannage

Économisez du temps et de l'argent! Repassez en revue les tableaux des pages suivantes et il est possible que vous n'ayez pas à appeler pour obtenir du service.

Problème	Causes possibles	Correctifs
Sons que vous pouvez entendre	Écoulement de l'eau en provenance de l'appareil vers l'orifice de vidange.	<ul style="list-style-type: none"> Ceci est normal.
L'eau est trouble et contient des bulles	Il y a de l'air dans les conduites après l'installation.	<ul style="list-style-type: none"> Ce phénomène disparaît après que l'eau a coulé pendant un certain temps.
L'eau du système de filtration goûte le chlore ou présente des odeurs de chlore	La concentration en ppm de chlore dans votre eau dépasse les limites maximales et a détruit la membrane du système.	<ul style="list-style-type: none"> Si l'eau alimentant le système contient une concentration de plus de 2,0 ppm de chlore, il est nécessaire d'assurer un filtrage complémentaire de cette eau. Corrigez cette situation avant toute opération d'entretien du système.
	Le pré-filtre n'élimine plus le chlore de l'eau.	<ul style="list-style-type: none"> Remplacez la membrane, cartouche, tamis, pré-filtre et post-filtre du système de filtration.
Il y a d'autres odeurs ou goût de chlore	L'eau de haute qualité produite peut avoir un goût différent de celui auquel vous êtes habitué.	<ul style="list-style-type: none"> Ceci est normal.
	Utilisation basse de l'eau.	<ul style="list-style-type: none"> Videz complètement le système et le remplir à nouveau.
	Contamination dans le réservoir d'eau traitée.	<ul style="list-style-type: none"> Utilisez les procédures de désinfection.
	Le pré-filtre ou post-filtre doivent être remplacés et/ou la cartouche du système de filtration doit être remplacée.	<ul style="list-style-type: none"> Remplacez le pré-filtre et le post-filtre. Si le goût et l'odeur persistent, remplacez la cartouche du système, le régulateur de débit et le tamis.
L'eau fuit de l'orifice d'espace d'air du robinet	Le côté vidange de l'espace d'air du robinet (tuyau de 3/8 po) est colmaté, l'écoulement est limité ou le tuyau n'a pas été correctement raccordé au point de vidange.	<ul style="list-style-type: none"> Inspectez et éliminez la cause du colmatage. Il est important que la conduite de vidange soit rectiligne entre l'espace d'air du robinet et le tuyau de vidange. Référez-vous à la section <i>Raccordement à la conduite de vidange</i> pour vous assurer d'un bon raccord de la conduite. Si vous avez utilisé un adaptateur pour la conduite au point de vidange, il est recommandé d'effectuer une inspection périodique/nettoyage.
Le système produit de l'eau lentement	Ceci est normal.	<ul style="list-style-type: none"> Le débit d'eau sera inférieur à celui de votre robinet habituel.
	L'eau alimentant le système de filtration ne répond pas aux spécifications définies.	<ul style="list-style-type: none"> Augmentez la pression de l'eau ou pré-conditionnez l'eau, etc. selon le cas afin que vous soyez conforme aux spécifications avant d'effectuer les opérations d'entretien du système.
	La cartouche du pré-filtre est colmatée par des sédiments et/ou la cartouche du système est colmatée par des sédiments.	<ul style="list-style-type: none"> Remplacez le pré-filtre. Si le débit n'augmente pas, remplacez le post-filtre, la cartouche du système, le régulateur de débit et le tamis.



*** NOTE :** Les codes de l'état du Massachusetts exigent que l'installation soit effectuée par un plombier qualifié et ne permettent pas l'utilisation de soupapes à bride. Pour l'installation, utilisez le code 249-CMR du Commonwealth du Massachusetts.

Catalogue des pièces de Général Electric.

NO DE RÉFÉRENCE	NO DE PIÈCE	DESCRIPTION DES PIÈCES	GXRV10ABL01
0001	WS15X10024	EXTRÉMITÉ NOIRE & LEVIER DU ROBINET	1
0002	WS08X10002	JOINT SUPÉRIEUR	1
0008	WS03X10003	TUYAU DE L'ADAPTATEUR	1
0009	WS22X10005	ÉCROU DE 1/4 PO	8
0010	WS22X10006	PIÈCE RAPPORTÉE DE 1/4 PO TUYAU	7
0012	WS22X10007	PIÈCE RAPPORTÉE DE 3/8 PO TUYAU	7
0013	WS22X10008	ÉCROU DE 3/8 PO	7
0014	FX12P	PRÉ-FILTRES & POST-FILTRES	2
0021	WS10X10005	PARTIE INFÉRIEURE DE SOUPAPE	1
0022	WS22X10009	DIAPHRAGME	2
0023	WS22X10010	PISTON-PLONGEUR	1
0024	WS22X10012	COUDE 1/8 PO NPT X 1/4 PO	1
	WS22X10011	COUDE 1/8 PO NPT X 1/4 PO & ÉCROU	3
0025	WS22X10013	RACCORD AVEC ÉCROU 1/8 PO NPT	1
0026	WS10X10006	PARTIE SUPÉRIEURE DE SOUPAPE	1
0027	WS10X10007	PARTIE CENTRALE DE SOUPAPE	1
0028	WS02X10010	VIS #10—14 X 1-3/4 PO	4
0030	WS32X10012	RÉSERVOIR 1.3 GAL	1
0032	WS02X10018	ATTACHE	2
0033	WS02X10017	VIS	4
0035	WS35X10033	LOGEMENT ET ENSEMBLE DE VÉRIFICATION	1
0041	WS15X10023	SOUPAPE À ÉTRIER—ALIMENTATION*	1
0042	WS18X10006	ADAPTATEUR DE CONDUITE DE VIDANGE—DLA9	1
0043	WS03X10015	CONE DU TAMIS	1
0044	WS03X10042	RÉGULATEUR DE DÉBIT	1
0045	FX12M	CARTOUCHE RO	1
0050	WS07X10008	TUYAU 3/8 PO X 20FT—WH	1
	WS07X10005	TUYAU 1/4 PO X 10FT—BL	1
	WS07X10007	TUYAU 3/8 PO X 20FT—BL	1
	WS07X10006	TUYAU 1/4 PO X 20FT—WH	1
0051	WS15X10014	ENSEMBLE DE ROBINET D'ARRET	1
0059	WS02X10020	VIS, #10 X 1/2 PO	8
0060	WS28X10008	SUPPORT	1
0061	WS19X10007	TETE	2
0062	WS22X10002	COUDE 3/8 PO NPT X 3/8 PO	2
0063	WS03X10001	JOINT TORIQUE 3-3/8 PO X 3-5/8 PO	2
0064	WS30X10001	COLLECTEUR	1
0065	WS22X10025	RACCORD EN T 1/8 PO NPT X 3/8 PO TUYAU	1
0066	WS22X10026	COUDE 3/8 PO NPT X 1/4 PO TUYAU	2
0068	WS22X10027	COUDE, 1/4 PO NPT X 3/8 PO	1
0069	WS22X10028	PIÈCE RAPPORTÉE, RÉGULATION DE DÉBIT	1
0200	WX5X140	CLEF POUR CORPS DE FILTRE	1
9999	49-50071	MANUEL D'UTILISATION & D'ENTRETIEN/ INSTRUCTIONS D'INSTALLATION	1

Pour obtenir des pièces de rechange, composez sans frais le 800-626-2002 (États-Unis), le 800-663-6060 (Canada, langue anglaise), le 800-361-3869 (Canada, langue française).

*** NOTE :** Les codes de l'état du Massachusetts exigent que l'installation soit effectuée par un plombier qualifié et ne permettent pas l'utilisation de soupapes à bride. Pour l'installation, utilisez le code 249-CMR du Commonwealth du Massachusetts.

Mesures de sécurité

Fonctionnement

Installation

Conseils de dépannage

Service à la clientèle

Garantie du système de filtration par osmose inversée de GE.



Tout service couvert par la garantie sera assuré par un réseau de réparateurs GE SmartWater™ accrédité. Pour obtenir du service en ligne 24 heures par jour, veuillez nous contacter sur le site www.GEAppliances.com, ou appelez sans frais au 800.GE.CARES (États-Unis) ou 866.777.7627 (Canada).

Agrafez le reçu d'achat ici.
Pour obtenir le service sous garantie, vous devrez fournir la preuve de l'achat original.

Pour la période de : GE remplacera :

Un an

À partir de la date d'achat original

Tout composant du système de filtration qui cessera de fonctionner à la suite d'un défaut matériel ou de fabrication. Au cours de cette **garantie limitée de une année**, GE assurera **sans frais** les travaux et service à domicile pour le remplacement des pièces défectueuses. Tout service couvert par la garantie sera assuré par un réparateur GE SmartWater™ accrédité.

Ce qui n'est pas couvert :

- Les déplacements de service à domicile pour vous enseigner comment utiliser le produit.
- Une installation incorrecte.
- Le non-fonctionnement du produit si celui-ci a été malmené, mal utilisé ou utilisé dans un but autre que celui pour lequel il a été conçu.
- Les filtres ou membranes.
- Défauts résultant d'une installation incorrecte ou dommage non causé par GE.
- Responsabilité de GE couverte par cette garantie ou autre garantie pour tout dommage indirect ou secondaire.
- Produits utilisés dans des applications commerciales ou industrielles.
- L'utilisation de ce produit lorsque l'eau est microbiologiquement douteuse ou de qualité inconnue, sans désinfection adéquate. Les systèmes homologués pour la réduction de bactéries peuvent être utilisés avec de l'eau désinfectée pouvant contenir des bactéries filtrables.
- Le remplacement des fusibles de la résidence ou le réenclenchement des disjoncteurs.
- Les dommages causés par accident au produit, les incendies, inondations ou actes de Dieu.
- Les dommages fortuits ou indirects à la propriété personnelle résultant de défauts possibles de cet appareil.

Cette garantie est étendue à l'acheteur original ainsi qu'à tout propriétaire consécutif pour les produits destinés à un usage domestique à l'intérieur des États-Unis. En Alaska, la garantie exclut les coûts d'expédition ou les appels de service à domicile.

Certains états n'acceptent pas l'exclusion ou la limitation des dommages fortuits ou indirects. Cette garantie vous donne des droits légaux spécifiques et vous pouvez aussi vous prévaloir d'autres droits, lesquels varient d'état en état. Pour savoir quels sont vos droits légaux, consultez le service aux consommateurs de l'état ou le bureau de l'avocat général de votre état.

CETTE GARANTIE SE SUBSTITUE À TOUTE AUTRE GARANTIE, QU'ELLE SOIT EXPRIMÉE OU IMPLICITE, INCLUANT CELLES QUI SONT NÉGOCIABLES OU ADAPTÉES À UN BUT PARTICULIER.

Garant: General Electric Company. Louisville, KY 40225

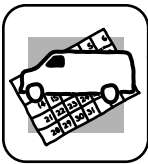
Soutien au consommateur.



Site Web appareils électroménagers GE

www.electromenagersge.ca

Vous avez une question ou vous avez besoin d'aide pour votre appareil électroménager? Contactez-nous par Internet au site www.electromenagersge.ca 24 heures par jour, tous les jours de l'année.



Service de réparations

1.800.361.3400

Service de réparations GE est tout près de vous.
Pour faire réparer votre électroménager GE, il suffit de nous téléphoner.



Studio de conception réaliste

Sur demande, GE peut fournir une brochure sur l'aménagement d'une cuisine pour les personnes à mobilité réduite.

Écrivez: Directeur, Relations avec les consommateurs, Camco, Inc.
Bureau 310, 1 Factory Lane
Moncton, N.B. E1C 9M3

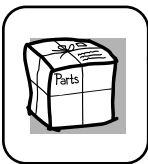


Prolongation de garantie

www.electromenagersge.ca

Achetez un contrat d'entretien GE avant que votre garantie n'expire et bénéficiez d'un rabais substantiel. Ainsi le service après-vente GE sera toujours là après expiration de la garantie.

Visitez notre site Web ou appelez-nous au 1.800.461.3636.



Pièces et accessoires

Ceux qui désirent réparer eux-mêmes leurs électroménagers peuvent recevoir pièces et accessoires directement à la maison (cartes VISA, MasterCard et Discover acceptées).

Les directives stipulées dans le présent manuel peuvent être effectuées par n'importe quel utilisateur. Les autres réparations doivent généralement être effectuées par un technicien qualifié. Soyez prudent, car une réparation inadéquate peut affecter le fonctionnement sécuritaire de l'appareil.

Vous trouverez dans les pages jaunes de votre annuaire le numéro du Centre de service Camco le plus proche. Autrement, appelez-nous au 1.888.261.3055.



Contactez-nous

Si vous n'êtes pas satisfait du service après-vente dont vous avez bénéficié :

Premièrement, communiquez avec les gens qui ont réparé votre appareil.

Ensuite, si vous n'êtes toujours pas satisfait envoyez tous les détails—numéro de téléphone compris—au
Directeur, Relations avec les consommateurs, Camco, Inc.
Bureau 310, 1 Factory Lane
Moncton, N.B. E1C 9M3



Inscrivez votre appareil électroménager

www.electromenagersge.ca

Inscrivez votre appareil électroménager en direct, aussitôt que possible. Cela améliorera nos communications et notre service après-vente. Vous pouvez également nous envoyer par la poste le formulaire d'inscription joint à votre documentation.

La sección en Español

Seguridad

Información de seguridad 49

Instrucciones de operación

Pautas sobre las especificaciones 50

Sobre el Sistema de

Ósmosis Inversa 51, 52

Cuidado y limpieza

Procedimiento para el reposición
del cartucho del sistema RO,

incluyendo desinfección 53–56, 65

Reposición del cartucho 53, 55

Instrucciones de instalación

Antes de iniciar la instalación 58

Herramientas y materiales necesarios .. 57

Instrucciones de instalación

paso por paso 59–65

Conexiones del drenaje 60, 61

Instalación del grifo 62

Lista de verificación 65

Montaje del sistema 64

Suministro de agua 59

Tubo de drenaje del grifo y tubo

de suministro de agua 63

Recomendaciones importantes 57

Consejos para la solución de fallas ... 66

Soporte al consumidor

Garantía 70

Lista de partes/Catálogo 67, 68

Soporte al consumidor 71

Operación

Instalación

Solucionar problemas

Servicio al consumidor



GXRV10ABL es probado
y certificado por la NSF
International contra el
Estándar 58 NSF/ANSI para
reclamos especificados en la
Hoja de Datos de Desarrollo.

Número de modelo: _____

Número de serie: _____

Los podrá encontrar en el soporte del sumidero.

INFORMACIÓN DE SEGURIDAD IMPORTANTE. LEA TODAS LAS INSTRUCCIONES ANTES DE USAR.

www.GEAppliances.com

⚠ ADVERTENCIA! Para su seguridad, se deberá seguir la información de este manual para minimizar el riesgo de daños a la propiedad o lesiones personales.



PRECAUCIONES DE SEGURIDAD

■ Consulte con su departamento local de obras públicas para los códigos de plomería y desinfección. Deberá seguir estas pautas a medida que instala el sistema de Ósmosis Inversa. **Se recomienda contratar a un instalador calificado.**

■ Si la presión de agua de la casa está por encima del máximo (125 libras por pulgada cuadrada), instale una válvula reductora de presión en la línea de suministro de agua hacia el sistema de Ósmosis Inversa.

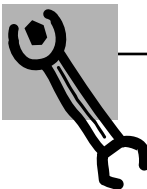
■ Asegúrese de que el suministro de agua se adapte a las *Pautas sobre las especificaciones*. Si las condiciones del suministro de agua son desconocidas, contacte a su compañía de suministro de agua o a su departamento local de salud para obtener una lista de contaminantes en su área y de laboratorios certificados por el estado para analizar el agua de consumo.

⚠ ADVERTENCIA: Antes de usar el sistema de Ósmosis Inversa por primera vez, se deberá purgar el sistema. El cartucho del sistema de Ósmosis Inversa contiene un preservativo de alimentos que debe purgarse del sistema. El preservativo le dará al agua un sabor y olor desagradables.

■ Este producto reduce el fluoruro en el agua de consumo. Por favor consulte a su odontólogo si tiene alguna pregunta.

⚠ ADVERTENCIA: No use con agua que sea microbiológicamente insegura o de calidad desconocida sin una desinfección adecuada del sistema antes o después. Se podrán usar sistemas certificados para la reducción de quistes en agua desinfectada que pueda contener quistes filtrables. Esta unidad de Ósmosis Inversa contiene un componente de tratamiento de membrana en cartucho, el cual puede ser reemplazado, crítico para la reducción eficaz de sólidos totales disueltos. Se deberá revisar periódicamente el agua para verificar que el sistema esté funcionando de forma satisfactoria. Este sistema es aceptable para el tratamiento de concentraciones entrantes de nitrato de no más de 27 mg/L y nitrito de 3 mg/L en combinación medidas en N y es aceptable para la reducción de nitrato / nitrito sólo para suministros de agua con presión de 280kPa (40 psig) o mayor.

■ Este sistema solamente deberá usarse para la reducción de arsénico en provisiones de agua clorada que contenga residuos detectables libres de cloro en la entrada del sistema. Los sistemas de agua que usan un clorinador en-línea deben proporcionar un minuto de contacto de cloro antes del Sistema RO.



INSTALACIÓN Y MANTENIMIENTO ADECUADOS

Este sistema de Ósmosis Inversa debe ser instalado correctamente y ubicado según las Instrucciones de instalación antes de su uso.

■ Instale o almacene donde no esté expuesto a temperaturas por debajo del punto de congelamiento o expuesto a cualquier tipo de clima. El congelamiento del agua en el sistema podrá estropearlo. No intente tratar el agua por encima de 100°F.

■ No instale en **AGUA CALIENTE**. La temperatura del suministro de agua hacia el sistema de Ósmosis Inversa deberá estar entre 40°F. mínimo y 100°F. máximo. Consulte las *Pautas sobre las especificaciones*.

■ **No** abra la válvula del suministro de agua sino hasta que las tuberías hayan sido lavadas.

■ **Período prolongado sin uso del sistema de Ósmosis Inversa.** Si el sistema no es usado por una semana o más, abra el grifo de agua del sistema, permita que el sistema se drene. Cierre el grifo y permita que el sistema regenere el suministro de agua.

⚠ ADVERTENCIA: Deseche todas las partes no usadas y el material de empaque después de la instalación. Las partes pequeñas que sobren después de la instalación podrían presentar un riesgo de asfixia.

■ Desinfecte después de instalar el sistema de Ósmosis Inversa y después de dar servicio a las partes interiores, incluyendo la reposición del pre-filtro, post-filtro y cartucho del sistema de Ósmosis Inversa. Es importante tener las manos limpias al manipular las partes internas del sistema. Consulte la sección *Desinfección del sistema de Ósmosis Inversa*.

■ El sistema de Ósmosis Inversa contiene un componente de tratamiento, el cual puede ser reemplazado, crítico para la reducción efectiva de sólidos totales disueltos. El agua de este producto deberá revisarse periódicamente para verificar que el sistema esté funcionando correctamente. Consulte la sección *Sobre el kit de prueba del agua*.



LEA Y SIGA CUIDADOSAMENTE ESTA INFORMACIÓN DE SEGURIDAD.
CONSERVE ESTAS INSTRUCCIONES

Seguridad

Operación

Instalación

Solucionar problemas

Servicio al consumidor

Pautas sobre las especificaciones.

Seguridad

Producto: 16" (40.64 cm) de alto 17" (43.18 cm) de ancho
6" (15.24 cm) de profundidad



El sistema produce un buen suministro de agua potable cada día.
La cantidad producida dependerá principalmente de...

Los límites de la presión del agua de alimentación – libras por pulgada cuadrada (psi) 40-125°

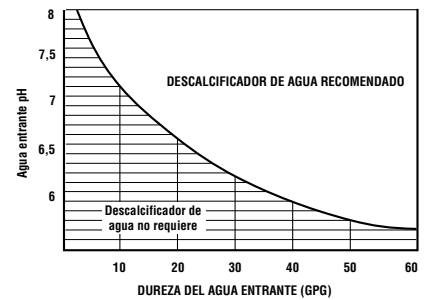
Los límites de la temperatura del agua de alimentación – grados F. mínimo y máximo. 40-100

Sólidos totales máximos disueltos – partes por millón (ppm) 2000

Dureza máxima del agua a 6.9 pH recomendado para optimizar la vida
de la membrana – granos por galón (gpg) 10

Operación

Para agua con dureza mayor a 10 granos (a 6,9 pH) se recomienda el uso de un descalcificador de agua. No instalar un descalcificador de agua reducirá la vida de la membrana del sistema de Ósmosis Inversa. Consulte la tabla para información adicional sobre la posible necesidad de un descalcificador de agua.



Máxima cantidad de hierro, manganeso, sulfuro de hidrógeno (ppm)	<0,1
Cloro en el suministro de agua	permitido ^b
Límites de pH en el agua de alimentación (pH)	4-10
Agua producida (calidad), 24 horas – galones	10,0 (38 L) ^a
Agua procesada por galón de agua producida, 24 horas – galones	5
Rechazo en porcentaje de TDS (membrana nueva)	92 ^a
Reducción de quistes	9,95%
Capacidad del tanque de almacenamiento – galones	1,3
Control automático de apagado	Sí
Pre-filtro y post-filtro	(FX12PA) Bloque de carbono
Membrana de Ósmosis Inversa	(FX12M) Poliamida de película delgada
Dimensiones (pulgadas)	16" (40.64 cm) de alto 17" (43.18 cm) de ancho 6" (15.24 cm) de profundidad

Instalación

Solucionar problemas

- Prueba de NSF International según el Estándar 58 de ANSI/NSF ha dado 7,1 GPD. Los parámetros de prueba del agua de la fuente son 50 psig. pH de 7,5 ± 0,5, y 750 ppm sólidos totales disueltos.
- Eliminado (máximo de 2,0 ppm) por el pre-filtro del sistema de Ósmosis Inversa. **SE REQUIERE UN MANTENIMIENTO FRECUENTE.** El cloro destruirá la membrana del sistema.
- Si la presión del agua de la casa está por encima de 125 psi, instale una válvula reductora de presión en la línea de suministro de agua. Si la presión del agua de la casa es inferior a 40 psi, instale una bomba elevadora para el sistema de Ósmosis Inversa (contacte a su compañía local de plomería).

Servicio al consumidor

¿Qué hace el sistema de Ósmosis Inversa?

El sistema de Ósmosis Inversa retira los Sólidos totales disueltos (TDS—Total Dissolved Solids) y la materia orgánica del agua al dispersarla a través de una membrana especial. La membrana separa los minerales e impurezas del agua y los expulsa hacia el desagüe. El agua producida de alta calidad va directamente hacia el grifo de agua para consumo o hacia el tanque de almacenamiento. El sistema produce un buen suministro de agua para consumo cada día.

Consulte las *Pautas sobre las especificaciones* arriba. La cantidad que produzca depende de la presión, temperatura y calidad del suministro de agua.

El *pre-filtro* y *post-filtro de carbono* son cartuchos reemplazables. El *pre-filtro* elimina el cloro al mismo tiempo que filtra los sedimentos. El *post-filtro* elimina cualquier otro sabor u olor no deseados antes de usar el agua.

Descripción del sistema de Ósmosis Inversa

Pre-filtro—El agua de la tubería de suministro de agua fría llega al cartucho del pre-filtro, el cual está dentro del sumidero. El pre-filtro es un cartucho de sedimentos reemplazable que contiene carbono activado. El carbono elimina arena, cieno, tierra, otros sedimentos y hasta 2,0 ppm de cloro del agua de alimentación. El pre-filtro reduce el cloro en el agua de alimentación ya que el **COLORO DESTRUYE LA MEMBRANA DEL SISTEMA DE ÓSMOSIS INVERSA**. El agua filtrada, limpia, con cloro reducido fluye desde el pre-filtro hacia el cartucho del sistema de Ósmosis Inversa.

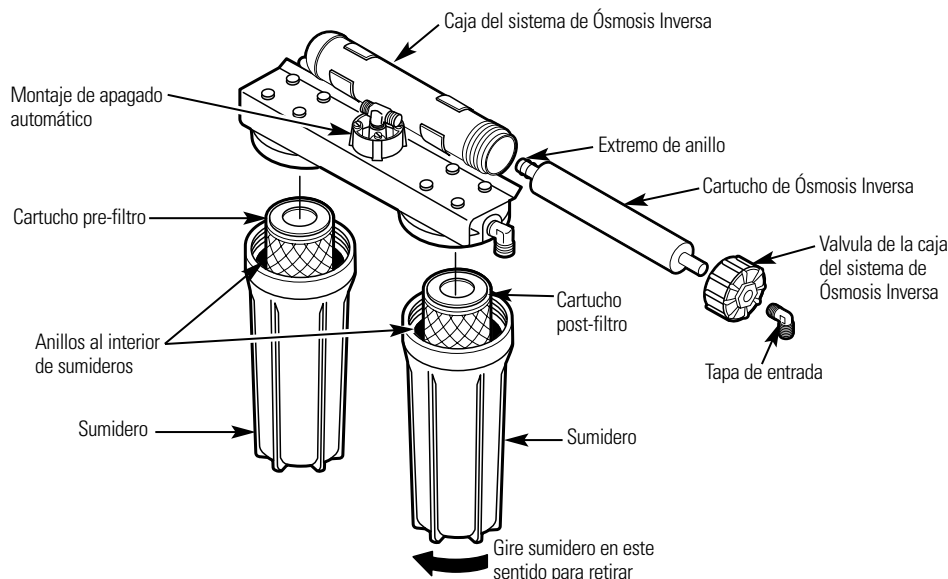
Tanque de almacenamiento—El área de almacenamiento tiene capacidad hasta de 1,3 galones de agua producida. Un diafragma al interior del tanque mantiene el agua presurizada, cuando el tanque está lleno, para un rápido flujo hacia el grifo cuando se necesite consumir agua.

Válvula de revisión—Una válvula de revisión está incorporada en un extremo de la caja del sistema de Ósmosis Inversa. La válvula de revisión evita

un flujo inverso del agua producida desde el área de almacenamiento. Un flujo inverso podría causar que la membrana del sistema de Ósmosis Inversa se rompiera.

Montaje de apagado automático—Para conservar el agua, el sistema de agua de consumo tiene un apagado automático. Cuando el tanque de almacenamiento ha llenado su capacidad y el grifo de agua de consumo está cerrado, la presión cierra el apagado automático. El flujo de agua hacia la caja del sistema de Ósmosis Inversa se apaga hasta que el agua de consumo se use nuevamente y la presión caiga en el sistema de Ósmosis Inversa.

⚠ ADVERTENCIA: El sistema de osmosis reverso contiene un componente reverso reemplazable crítico para la eficiencia del sistema. El reemplazo del componente de osmosis reversa debe hacerse con uno de especificaciones idénticas, conforme a lo definido por su fabricante, para asegurar la misma eficiencia y funcionamiento de reducción de contaminantes.



Sobre el sistema de Ósmosis Inversa.

Seguridad

Cartucho de Ósmosis Inversa—El cartucho, al interior de la caja del sistema de Ósmosis Inversa, incluye una membrana especial fuertemente envuelta. El agua penetra a través del cartucho donde la membrana retira los sólidos disueltos y la materia orgánica. El agua producida de alta calidad sale de la caja del sistema de Ósmosis Inversa y se dirige hacia el tanque de almacenamiento. El agua rechazada, con los sólidos disueltos y la materia orgánica sale de la caja y se descarga en el drenaje a través de un tubo de 1/4".

Post-filtro—Después de salir del área de almacenamiento, pero antes de ir hacia el grifo del sistema, el agua producida va hacia el post-filtro que se encuentra dentro del sumidero. El post-filtro es también un cartucho de sedimento que puede ser reemplazado que contiene carbono activado. Cualquier sabor, olor o sedimentos restantes son retirados del agua producida por el post-filtro. Agua limpia, de alta calidad, lista para tomar fluye a través del tubo hacia el grifo del sistema.

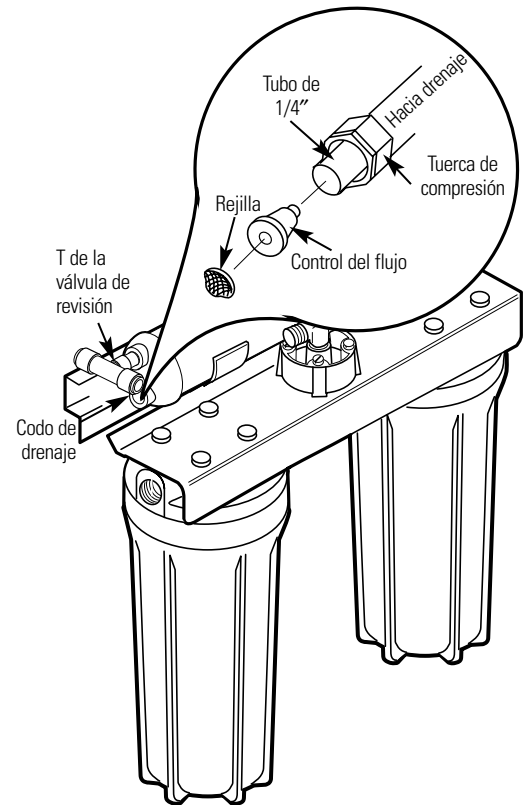
Operación

Instalación

Solucionar problemas

Servicio al consumidor

Control del flujo—El control del flujo regula el flujo de agua a través del cartucho del sistema de Ósmosis Inversa al ritmo requerido para producir agua de alta calidad. El control está ubicado en el accesorio de unión en el puerto de drenaje de la caja del sistema de Ósmosis Inversa. Un filtro pequeño, en forma de cono se ajusta al extremo frontal del control del flujo para evitar la obstrucción debido a sedimentos en el agua de drenaje. El control del flujo deberá reemplazarse cada vez que se cambie la membrana del sistema de Ósmosis Inversa.



Para obtener filtros de repuesto, llame sin costo a Repuestos de electrodomésticos de GE al 800-626-2002 (EE.UU.), 800-663-6060 (Canadá-inglés), 800-361-3869 (Canadá-francés).

Repuesto de cartucho pre-filtro/post-filtro FX12P	Bloque de carbono
Repuesto de cartucho del sistema de Ósmosis Inversa FX12M	Poliamida de película delgada

⚠ PRECAUCIÓN: Antes de poner en servicio el sistema de Ósmosis Inversa, cierre el suministro de agua/válvula de montura y abra el grifo de agua del sistema de Ósmosis Inversa. Permita que el sistema se drene.

Kit de prueba del agua

El sistema de Ósmosis Inversa contiene un componente de tratamiento que puede reemplazarse, el cual es crítico para la reducción eficaz de Sólidos totales disueltos (TDS). El agua producida será probada periódicamente para verificar que el sistema se está desempeñando de forma satisfactoria. Siga las instrucciones incluidas en el kit. El agua producida deberá revisarse como mínimo cada seis meses. Se le entregará un kit de repuesto para prueba del agua junto con los resultados de cada entrega para prueba.

Reposición del cartucho de pre-filtro y post-filtro

Siga los pasos en la sección de *Desinfección del sistema de Ósmosis Inversa* **EXCEPTO** descartar los filtros viejos y reemplazar con nuevos.

Cuidado y limpieza—Procedimiento para el reposición del cartucho del sistema RO, incluyendo desinfección.

Asegúrese de lavar sus manos con jabón anti-bacterial antes de manipular las partes internas del sistema.

1 Apague la válvula del suministro de agua en el sistema de Ósmosis Inversa. Abra el grifo de agua del sistema de Ósmosis Inversa y deje el tanque de almacenamiento abierto. Permita que el agua del sistema se drene completamente (esto toma unos cuantos minutos).

Si el sistema de filtración del sistema de Ósmosis Inversa está conectado a su máquina de hielos DEBERÁ apagar la máquina levantado el brazo de extensión antes de poner el filtro en servicio, cambiar los filtros o purgar el sistema de filtración. Cuatro horas después de poner en servicio su unidad, baje el brazo indicador para continuar la elaboración de hielos.

2 Hale el sistema de Ósmosis Inversa del compartimiento pero no desconecte ningún tubo. Coloque una toalla seca debajo de la unidad del sistema de Ósmosis Inversa para absorber el agua que se riegue al desmontarlo.

3 Destonille la tapa de entrada para la caja del sistema de Ósmosis Inversa.

La desinfección del sistema se realiza al retirar el cartucho del sistema de Ósmosis Inversa y los cartuchos de los filtros.

4 Retire el cartucho del sistema de Ósmosis Inversa de la caja tomando el extremo del cartucho con las pinzas limpias y halando hacia la derecha.

NOTA: El agua puede descolorarse al retirar el cartucho, esto es NORMAL. Coloque el cartucho en una bolsa plástica limpia para protegerlo contra daños hasta que sea instalado nuevamente.

5 Vuelva a instalar la tapa de entrada, asegurando que el anillo esté en su lugar.

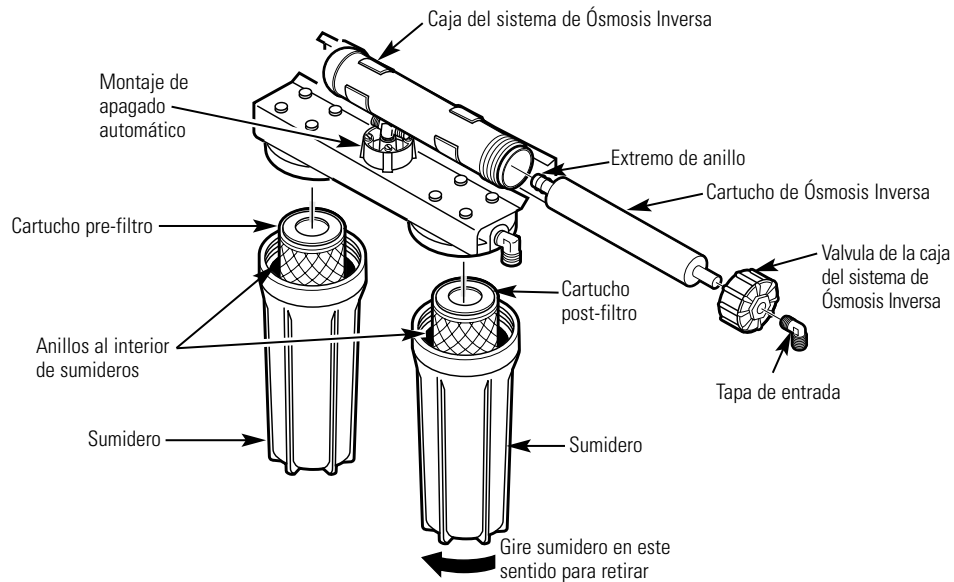
6 Retire el sumidero del POST-FILTRO girándolo hacia la izquierda usando la llave del sumidero que se incluye con el sistema de Ósmosis Inversa. Tenga cuidado al retirar el sumidero ya que estará lleno de agua. Retire el cartucho viejo del filtro del sumidero y deséchelo. Revise el sumidero. Asegure que el anillo esté colocado en la parte superior del sumidero. Vuelva a instalar el sumidero (sin el cartucho) para desinfectar.

7 Retire el sumidero del PRE-FILTRO usando la llave del sumidero y deseche el cartucho viejo. Asegure que el anillo esté colocado en la parte superior del sumidero.

Cuidado y limpieza—Procedimiento para el reposición del cartucho del sistema RO, incluyendo desinfección.

Seguridad

Operación



8 Desinfectar el sistema.

⚠ PRECAUCIÓN: Antes de agregar el agente desinfectante asegúrese de retirar todos los cartuchos como se describe arriba. **El cloro destruirá el cartucho del sistema de Ósmosis Inversa. La desinfección del sistema se lleva a cabo al retirar el cartucho del sistema de Ósmosis Inversa y los cartuchos de los filtros.**

a Antes de reinstalar el sumidero del PRE-FILTRO, llene este sumidero con agua fría hasta 1" (2.54 cm) encima del anillo. Agregue una onza (35 ml dos cucharadas) de cloro casero común al 5,25% (Hilex, Clorox, etc.) y mézclelo en el agua. **NO AGREGUE EL CLORO PRIMERO. El cloro concentrado puede dañar el plástico.**

b Reinstale cuidadosamente el sumidero en el sistema de Ósmosis Inversa y apriete firmemente con la mano.

c Cierre el grifo del agua del sistema de Ósmosis Inversa y gire la válvula de suministro de agua hacia el sistema. Permita que el sistema se llene por un minuto.

NOTA: Escuchará diferentes sonidos durante la desinfección. **NO USE AGUA DURANTE LA DESINFECCIÓN.**

d Abra el grifo del agua del sistema de Ósmosis Inversa cerrando la palanca hacia arriba contra el surtidor. Permita que el agua fluya a través del sistema de Ósmosis Inversa hasta que el olor a cloro desaparezca (aproximadamente 20 minutos).

e Apague la válvula de suministro de agua hacia el sistema, pero deje el grifo de agua del sistema de Ósmosis Inversa abierto. Cuando el flujo de agua pare, siga con el paso 9.

9 **Asegúrese de lavarse las manos con jabón anti-bacterial.** Repita los pasos 3-6 y 8b, sin embargo, reinstale el cartucho del sistema de Ósmosis Inversa desde la bolsa y los nuevos PRE-FILTRO y POST-FILTRO en vez de retirarlos. Lubrique ligeramente la tapa de entrada y anillos del sumidero con grasa de silicona únicamente.

NOTA: El cartucho del sistema de Ósmosis Inversa está incrustado y puede necesitar rotarse durante la reinstalación para un ajuste apropiado.

10 Gire la válvula de suministro de agua hacia el sistema de Ósmosis Inversa y permita que el sistema se regenere y estabilice por aproximadamente cuatro horas. Revise si el sistema tiene escapes. El sistema puede producir algún sonido durante este período, esto es normal.

11 Reemplace las pilas alcalinas "AA" en la caja de control. Unas baterías en buen estado son necesarias para asegurar una operación apropiada de la luz indicadora. Unas pilas débiles pueden dar una indicación falsa. Se deberán cambiar las pilas cada seis meses.

12 Antes de usar el filtro por primera vez después del cambio de filtros, purgue el sistema abriendo el grifo de agua del sistema de Ósmosis Inversa por un minuto para eliminar cualquier partícula dañina de carbono. Si el sistema está conectado a su máquina de hielos en el congelador, reinicie el brazo indicador de la máquina de hielos a la posición de encendido (abajo) después del período de regeneración de cuatro horas.

Instalación

Solucionar problemas

Servicio al consumidor

Reposición del cartucho del sistema Ósmosis Inversa

NOTA: Al reemplazar el cartucho del sistema de Ósmosis Inversa, también instale un nuevo control de flujo y rejilla. Consulte la sección de Control del flujo y rejilla.

Si el sistema de filtración del sistema de Ósmosis Inversa está conectado a su máquina de hielos **DEBERÁ** apagar la máquina levantado el brazo de extensión antes de poner el filtro en servicio, cambiar los filtros o purgar el sistema de filtración. Cuatro horas después de poner en servicio su unidad, baje el brazo indicador para continuar la elaboración de hielos.

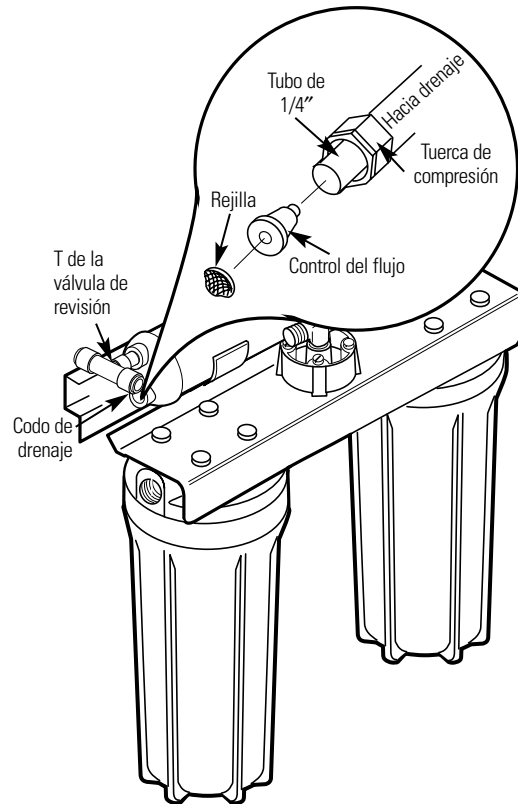
Asegúrese de lavar sus manos con jabón anti-bacterial antes de manipular las partes internas del sistema.

- 1 Apague la válvula de suministro de agua hacia el sistema de Ósmosis Inversa (gire en el sentido del reloj) y abra el grifo del agua del sistema de Ósmosis Inversa. Permita que el sistema se drene completamente (esto toma varios minutos).

⚠ PRECAUCIÓN: No cerrar la válvula de suministro de agua causará que el agua se riegue o corra cuando se retiren los sumideros.

- 2 Hale el sistema de Ósmosis Inversa hacia afuera del compartimento. Deje los tubos conectados. Coloque una toalla seca debajo de la unidad del sistema de Ósmosis Inversa.
- 3 Destonille la tapa de entrada para la caja del sistema de Ósmosis Inversa.
- 4 Use unas pinzas para halar el cartucho de la caja y deseche el cartucho.

- 5 Desinfecte el sistema. Consulte el *Procedimiento para cambiar el filtro*, incluyendo la sección de desinfección. Complete los pasos 5–9, sin embargo, coloque los filtros en una bolsa plástica limpia y reinstálelos en el Paso 9.



Cuidado y limpieza—Procedimiento para el reposición del cartucho del sistema RO, incluyendo desinfección.

Seguridad

Operación

Instalación

Solucionar problemas

Servicio al consumidor

- 6 Instale el nuevo control del flujo y rejilla.
 - a Coloque el codo de drenaje plástico, al lado de la T de la válvula de revisión de cobre.
 - b Destornille la tuerca de compresión.
 - c Retire el flujo de control con el borde de un cuchillo limpio. Retire la rejilla; podrá necesitar un palillo de dientes.
 - d Si está reemplazando el control del flujo y la rejilla, deséchelos. Si está revisando el control del flujo, la rejilla y tubería para bloqueo, limpie estas partes de cualquier suciedad. No sople el control del flujo, ya que contaminará la parte.
 - e Reemplace la rejilla colocando el extremo del cono en la tapa del codo y empújela cuidadosamente.

⚠ PRECAUCIÓN: No fuerce más allá después de sentir resistencia. Revise visualmente para asegurar que esté correctamente acomodado.

- 7 Instale el control del flujo y apriete la tuerca de compresión manualmente, luego haga otro giro de 1/4 con pinzas.
NO APRIETE DEMASIADO YA QUE DEFORMARÁ O APLASTARÁ EL TUBO Y EL CONTROL DEL FLUJO.

- 8 Destornille la tapa de entrada de la caja para ser retirada.

- 9 Instale el nuevo cartucho del sistema de Ósmosis Inversa.

NOTA: El extremo de anillo del cartucho del sistema de Ósmosis Inversa está ajustado y deberá rotarse durante la instalación para un ajuste correcto.

- 10 Lubrique ligeramente el sello del anillo con grasa de silicona limpia únicamente.

- 11 Reemplace la tapa de entrada.

- 12 Gire el suministro de agua. Revise la presencia de escapes.

- 13 Purgue el sistema de Ósmosis Inversa.

- a Abra el grifo de agua del sistema de Ósmosis Inversa hasta que el tanque esté desocupado y el flujo pare.

- b Después de llenar y desocupar el tanque de almacenamiento cuatro veces, el sistema estará listo para producir agua para consumo.

⚠ PRECAUCIÓN: El cartucho del sistema de Ósmosis Inversa contiene un preservativo de alimentos que debe purgarse del sistema antes de su primer uso o cada vez que se reemplace el cartucho del sistema de Ósmosis Inversa. El preservativo le dará al agua un sabor y olor desagradables.

- 14 Reinicie la máquina de hielos bajando el brazo indicador.

Instrucciones de instalación.

Seguridad

Operación

Instalación

Solucionar problemas

Servicio al consumidor

Recomendaciones importantes para la instalación

Lea todo el manual. No seguir todas las guías y reglas podría causar lesiones personales o daños a la propiedad.

- **ASEGÚRESE DE SEGUIR TODOS LOS CÓDIGOS LOCALES Y ESTATALES APLICABLES.**
- **Contrate a un instalador apropiado.**
- **No instale el sistema de Ósmosis Inversa a la intemperie o en temperaturas muy frías o calientes. NO INSTALE EN AGUA CALIENTE.**
- **La instalación recomendada es debajo del lavaplatos. Sin embargo, la unidad puede instalarse en una ubicación remota, hasta 30 pies de distancia del lavaplatos. Se podrán requerir materiales adicionales de instalación.**
- **Si el sistema de Ósmosis Inversa se conecta a una máquina de hielos de un refrigerador, se requiere de un kit de conexión especial para la máquina de hielos (RV KIT). No use tubería de cobre para la conexión entre el sistema de Ósmosis Inversa y el refrigerador.**
- **Asegúrese de que el suministro de agua se adapte a las especificaciones; consulte la sección *Pautas sobre las especificaciones*. Si las condiciones del suministro de agua son desconocidas, contacte a su compañía municipal de agua o a su departamento local de salud para una lista de contaminantes en su área y de laboratorios certificados por su estado para analizar agua de consumo.**



ADVERTENCIA: No use con agua que sea microbiológicamente insegura o de calidad desconocida sin una desinfección adecuada del sistema antes o después. Se podrán usar sistemas certificados para la reducción de quistes en agua desinfectada que pueda contener quistes filtrables. Este sistema deberá ser usado únicamente para reducción de arsénico en suministros de agua clorada que contenga cloro libre residual detectable en la entrada del sistema. Los sistemas de agua que usan un clorinador en línea deberán ofrecer un tiempo de contacto de un minuto con el cloro antes del sistema de Ósmosis Inversa. Esta unidad de Ósmosis Inversa contiene un componente de tratamiento de membrana en cartucho, el cual puede ser reemplazado, crítico para la reducción eficaz de sólidos totales disueltos. Se deberá revisar periódicamente el agua para verificar que el sistema esté funcionando de forma satisfactoria. Este sistema es aceptable para el tratamiento de concentraciones entrantes de nitrato de no más de 27 mg/L y nitrito de 3 mg/L en combinación medidas en N y es aceptable para la reducción de nitrato / nitrito sólo para suministros de agua con presión de 280kPa (40 psig) o mayor. Las partes pequeñas que sobren después de la instalación podrían presentar un riesgo de asfixia.

Herramientas y materiales requeridos para la instalación

- Taladro inalámbrico operado por batería
- Broca de 1/4" para taladro
- Broca de 1-1/4" para taladro (tipo según el requerido) si se necesita montar el grifo
- Llaves abiertas ajustables
- Destornillador Phillips y recto
- Cuchillo
- Contenidos incluidos con el producto:
 - Montaje de Ósmosis Inversa
 - Literatura sobre el producto (Manual del propietario e instalación, vídeo para el uso e instalación, hoja de datos del desempeño y tarjeta de registro del propietario)
 - Bolsa de partes de la válvula del suministro de agua
 - Adaptador de la línea de drenaje
 - 27" (68.6 cm) de tubería de 3/8"
 - Tanque de almacenamiento
 - Etiqueta de recordatorio de reposición del filtro
 - Kit para prueba del agua

RESPONSABILIDAD DEL INSTALADOR: La válvula de suministro de agua (vea la sección *Suministro de agua de alimentación*) se incluye para uso en áreas donde los códigos lo permitan. **El instalador deberá cumplir con los códigos estatales y/o locales.** De lo contrario, el instalador deberá ofrecer accesorios para drenar el tubo de agua fría para una fuente de agua de alimentación hacia el sistema de Ósmosis Inversa (debe adaptarse al tubo de 1/4" del sistema de Ósmosis Inversa).

Instrucciones de instalación.

Cosas a revisar antes de iniciar la instalación

AGUA DE ALIMENTACIÓN—El suministro de agua hacia el sistema de Ósmosis Inversa debajo del mostrador debe tener las condiciones enumeradas en las especificaciones (vea la sección de *Pautas sobre las especificaciones*). Los suministros de agua locales con frecuencia tendrán estas condiciones. **El agua de pozos puede necesitar acondicionamiento**—haga que el agua sea analizada por un laboratorio y obtenga sus recomendaciones para tratamiento.

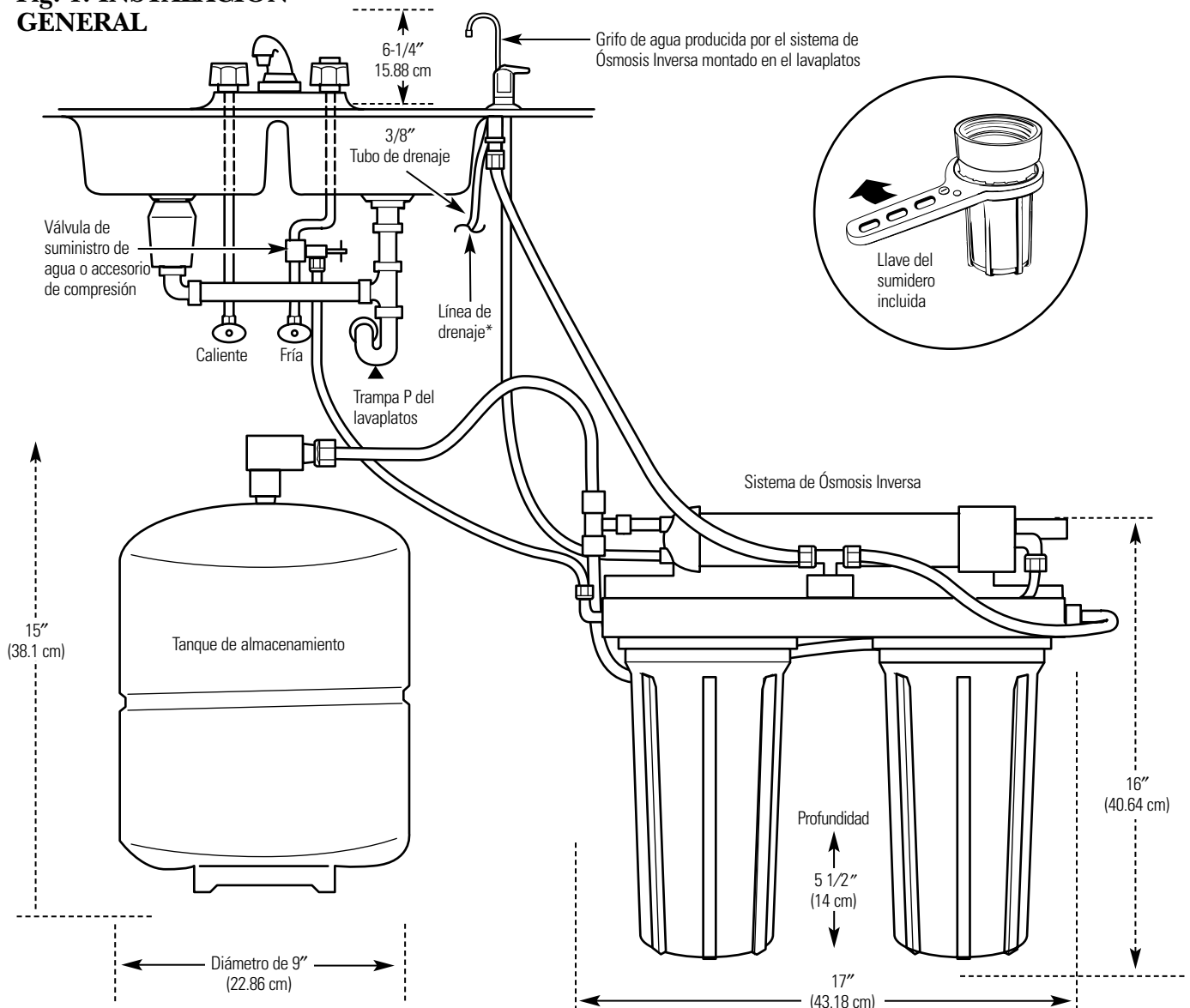
⚠ PRECAUCIÓN: Para aguas con una dureza mayor a 10 granos (a 6,9 pH) se recomienda el uso de un descalcificador. No instalar un descalcificador reducirá la vida de la membrana del sistema de Ósmosis Inversa. Consulte la sección de *Pautas sobre las especificaciones para información adicional sobre la posible necesidad de un descalcificador*.

PUNTO DE DRENAJE*—Un punto de drenaje adecuado y un vacío de aire (**consulte los códigos locales**) serán necesarios para el agua rechazada del cartucho de la membrana del sistema de Ósmosis Inversa.

GRIFO DEL SISTEMA DE ÓSMOSIS INVERSA—El grifo del agua producida por el sistema de Ósmosis Inversa se instala en el lavaplatos o en la parte superior del mostrador al lado del lavaplatos. Con frecuencia se instala en un orificio existente en el lavaplatos. Se requiere espacio en la parte de abajo para la tubería hacia y desde el grifo, y para asegurar el grifo en su lugar.

INSTALACIÓN EN SÓTANO—Si se va a instalar en un sótano, deje suficiente tubería en su lugar durante la instalación para poder mover la unidad hacia el piso para mayor facilidad en el servicio y hacer cambios al filtro/membrana.

Fig. 1. INSTALACIÓN GENERAL



Instrucciones de instalación paso por paso.

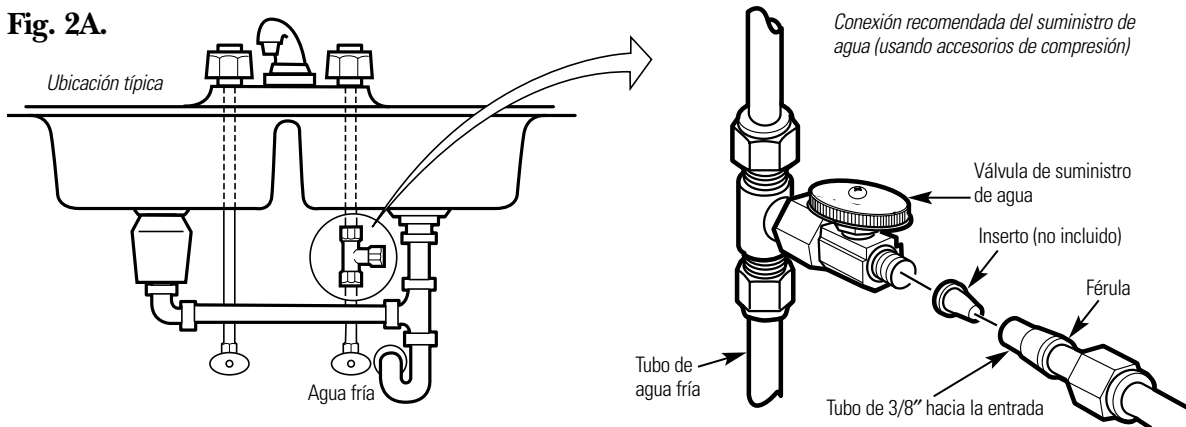
Suministro de agua de alimentación

Revise y cumpla con los códigos locales de plomería al planear, luego instale un accesorio de suministro de agua de alimentación fría. Para una instalación en un hogar nuevo con accesorios estándares de plomería, consulte primero las dos ilustraciones siguientes. Una instalación típica para hogares existentes usando la válvula de montura se muestra en la tercera ilustración de abajo.

A. INSTALACIÓN RECOMENDADA

- 1 Apague el suministro de agua fría.
- 2 En cumplimiento con los códigos de tubería, instale un accesorio en la tubería de agua fría para adaptar el tubo OD de 3/8". En la figura de la derecha se muestra una conexión típica (no se incluyen las partes). Asegúrese de usar una válvula de suministro de agua.

Fig. 2A.



B. INSTALACIÓN CASERA OPCIONAL Donde los códigos lo permitan

***Para OD de 1/2" o tubo de metal más largo únicamente.**

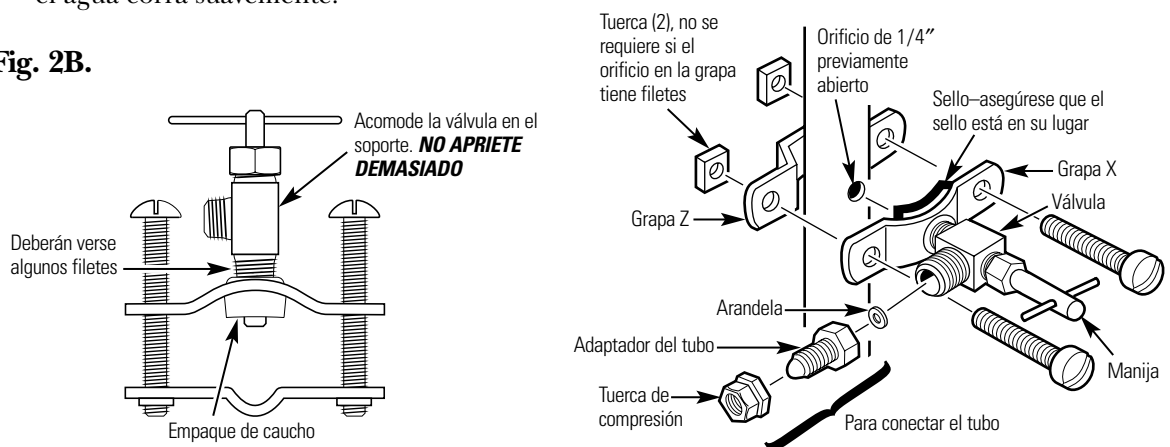
NOTA: Los códigos en el estado de Massachusetts requieren la instalación por parte de un plomero certificado y no permiten el uso de la válvula de montura. Para la instalación, use el código de plomería 248-CMR de Massachusetts.

- 1 Apague el suministro de agua fría y anexe la válvula de montura como se muestra en la ilustración de la derecha.

⚠ PELIGRO: Para protegerse de lesiones serias o de choques fatales, use únicamente un taladro manual operado con baterías para abrir el orificio. NO USE UN TALADRO ELÉCTRICO.

- 2 Cierre la válvula de suministro de agua girando la manija en el sentido del reloj.
- 3 Abra la válvula principal de suministro del agua y varios grifos de la casa para purgar aire del sistema. Cierre los grifos cuando el agua corra suavemente.

Fig. 2B.



Instrucciones de instalación paso por paso.

Seguridad

Instalaciones de la conexión del drenaje de filtración

Revise y cumpla con todos los códigos estatales y locales de plomería

⚠️ PRECAUCIÓN: Las opciones detalladas a continuación son las **ÚNICAS** configuraciones aprobadas para instalación. No use ningún dispositivo de montura de drenaje.

NOTA: No seguir estas Instrucciones de instalación anulará la Garantía y el Instalador será responsable por cualquier servicio, reparación o daños causados.

Opciones preferidas para la instalación (Opciones A, B y C)

OPCIÓN A. INSTALACIÓN DE ACCESO AL SÓTANO (Fig. 3A)

Enrute la línea de drenaje DIRECTAMENTE desde el sistema de Ósmosis Inversa hacia una torre depósito en el sótano, pasando el vacío de aire provisto en el grifo. La línea de drenaje debe también ser enrutada en el sótano hacia un drenaje del piso o tina de lavar, siempre y cuando el vacío de aire en el sótano se mantenga. Evite hundimientos, vueltas o caídas en la línea de drenaje. El vacío del aire del sótano y la configuración de la instalación del drenaje deberán adaptarse a todos los códigos locales. Existen accesorios especiales de vacío del aire para conectar la línea de drenaje a la parte superior de la torre depósito.

OPCIÓN B. INSTALACIÓN SEPARADA DE VENTILACIÓN— TRAMPA DE 2 P (VENTILACIÓN SECA) (Fig. 3B)

Instale una trampa en P de ventilación seca por separado debajo del lavaplatos exclusivamente para la línea de drenaje del sistema de Ósmosis Inversa. Una trampa en P de ventilación seca tiene su propia ventilación/escape. Junte el adaptador de la línea de drenaje suministrado a la trampa en P y asegúrela con la tuerca de unión de desliz y arandela como se muestra. Enrute la línea de drenaje desde el vacío del aire hacia el adaptador de la línea de drenaje asegurando que no haya hundimientos, vueltas o caídas en la línea, lo que podría resultar en obstrucción en la línea de drenaje. El adaptador de la línea de drenaje deberá estar alineado verticalmente de manera que la conexión de la manguera apunte en una dirección vertical de 45°. (Consulte la figura 3E). La línea de drenaje deberá enrutarse a través del vacío de aire provisto en el grifo de agua del sistema de Ósmosis Inversa.

OPCIÓN C. INSTALACIÓN COMPARTIDA DE VENTILACIÓN— TRAMPA DE 2 P (VENTILACIÓN HÚMEDA) (Fig. 3C)

Instale una trampa P debajo del lavaplatos exclusivamente para la línea de drenaje del sistema de Ósmosis Inversa. Una trampa P de ventilación húmeda comparte una ventilación/escape común. Junte el adaptador de la línea de drenaje provisto a la trampa P y ajústelo con la tuerca de unión de desliz y arandela como se muestra. Enrute la línea de drenaje desde el vacío de aire hacia el adaptador de la línea de drenaje asegurando que no haya hundimientos, vueltas o caídas en la línea, lo que podría resultar en obstrucción en la línea de drenaje. El adaptador de la línea de drenaje deberá estar alineado verticalmente de manera que la conexión de la manguera apunte en una dirección vertical de 45°. (Consulte la figura 3E). La línea de drenaje deberá enrutarse a través del vacío del aire provisto en el grifo de agua del sistema de Ósmosis Inversa. Coloque la trampa P lo más alto posible (mínimo de 4" sobre la tubería horizontal del segundo lavaplatos).

Fig. 3A.

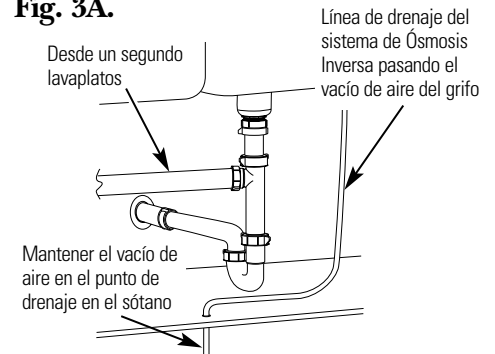


Fig. 3B.

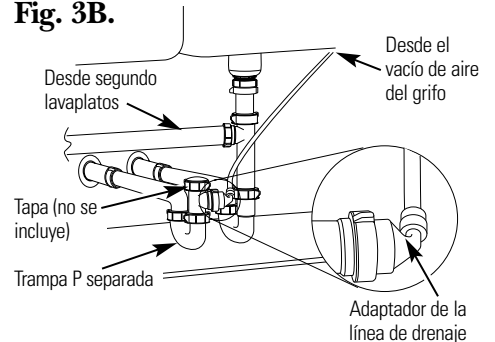
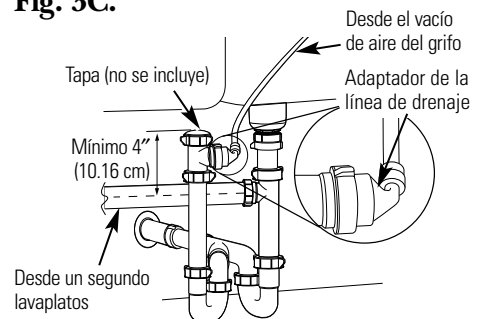


Fig. 3C.



Operación

Instalación

Solucionar problemas

Servicio al consumidor

Instalaciones de conexión del drenaje de filtración

Recomendación secundaria
(Use sólo si las opciones A, B o C en la página 60 no son posibles)

OPCIÓN D. INSTALACIÓN DEL ADAPTADOR DE LA LÍNEA DE DRENAJE (Fig. 3D)

NO instale la línea de drenaje hacia abajo de un desagüe o en una tubería horizontal. Instale el adaptador de la línea de drenaje provisto debajo del lavaplatos tal como se muestra. La T de desviación o conector en Y mostrado debe estar en su lugar (compre e instale de ser necesario) para evitar obstrucción en la línea de drenaje del sistema de Ósmosis Inversa. Enrute la línea de drenaje desde el vacío del aire hacia el adaptador de la línea de drenaje asegurando que no haya hundimientos, vueltas o caídas en la línea. El adaptador de la línea de drenaje deberá alinearse verticalmente de manera que la conexión de la manguera apunte en una dirección vertical de 45°. (Consulte la figura 3E). Esta instalación PUEDE producir un ligero ruido del drenaje en el lavaplatos cuando se opere el sistema de Ósmosis Inversa. Rote lentamente el montaje de la T adaptadora de la línea de drenaje hasta que el ruido se minimice. Generalmente, una posición de 180° opuesta a la tubería horizontal existente/T de desviación es una buena orientación.

⚠ ¡PRECAUCIÓN!

NO INSTALE EL ADAPTADOR DE LA LÍNEA DE DRENAJE HACIA ABAJO DEL DESAGÜE

Al estar instalada, la tubería no deberá tener hundimientos, vueltas, caídas, etc. El tubo deberá cortarse a la longitud para que brinde una ruta directa desde el grifo hacia el drenaje. (Consulte la figura 3F). Consulte las instrucciones en la sección *Instalación de la conexión del drenaje de filtración*, para detalles y opciones.

¡UNA INSTALACIÓN INCORRECTA RESULTARÁ EN QUE EL AGUA SE ACUMULE EN LA LÍNEA DE DRENAJE, Y GOTEARÁ EN EL GRIFO!

Fig. 3F.

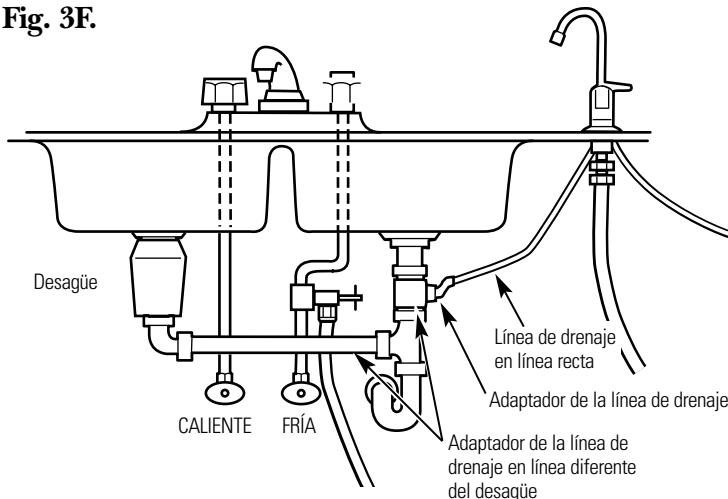


Fig. 3D.

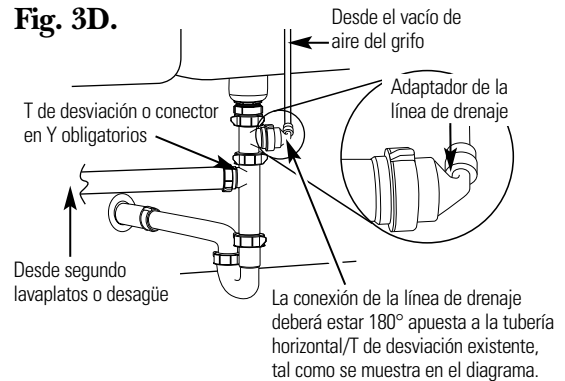
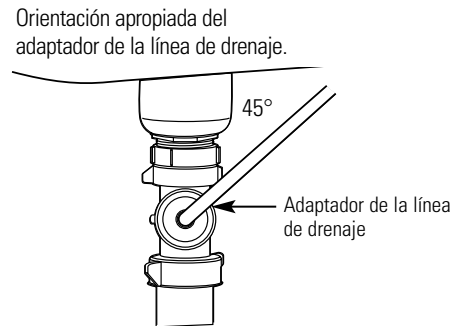


Fig. 3E.



Instrucciones de instalación paso por paso.

Seguridad

Instalación del grifo

Asegúrese de que haya espacio debajo del lavaplatos para hacer las conexiones necesarias. Seleccione uno de los siguientes lugares para instalar el grifo.

- EN un accesorio existente de rocío en el lavaplatos u orificio para dispensador de jabón.
- EN un orificio en la parte superior del lavaplatos.
- EN un orificio en la parte superior del mostrador, al lado del lavaplatos.

NOTA: En la Figura 4B, asegúrese de que la base del grifo se ajuste a nivel contra la superficie de la ubicación seleccionada para que el empaque selle.

Operación

- 1 Si se necesita taladrar, haga un orificio de 1-1/4" de diámetro. **Asegúrese de usar el procedimiento adecuado para taladrar porcelana o acero inoxidable.**
- 2 Coloque la base sobre el vástago fileteado, asegurando que el vástago y los dos pernos cortantes se ajusten a través del empaque. Coloque el espaciador sobre el vástago (extremo abierto hacia arriba) seguido por una arandela metálica y una tuerca hexagonal (Fig. 4A).
- 3 Inserte la arandela en el adaptador del tubo. Apriete firmemente contra el vástago del grifo.

- 4 Tome los 27" (68.6 cm) de longitud del tubo de 3/8" y pase un extremo completamente al accesorio de lengüeta del grifo de 3/8" (Fig. 4B).
- 5 Coloque el sistema de Ósmosis Inversa debajo del lavaplatos. Consulte la Fig. 5 en la siguiente página, cuelgue el sistema en la pared del compartimento.
- 6 Dirija el tubo de 1/4" (marcado LENGÜETA EN EL GRIFO DE 1/4") y el tubo de 3/8" (marcada "GRIFO") hacia arriba a través del orificio de montura:
 - a Empuje un extremo del tubo de 1/4" a través de la lengüeta en el grifo de 1/4".
 - b Con una tuerca de compresión, apriete el tubo de 3/8" al adaptador del tubo y apriete la tuerca. Asegure que el tubo esté completamente montado en el adaptador.
- 7 Retire el tubo corto de envío e inserte la canilla en el cuerpo del grifo.
- 8 Baje el montaje del grifo a través del lavaplatos.
- 9 *Debajo del mostrador*, coloque el plato de montura por encima del espaciador y apriete firmemente la tuerca hexagonal.

Instalación

Fig. 4A.

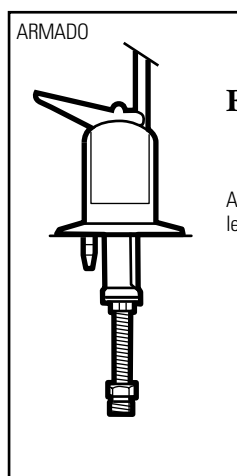
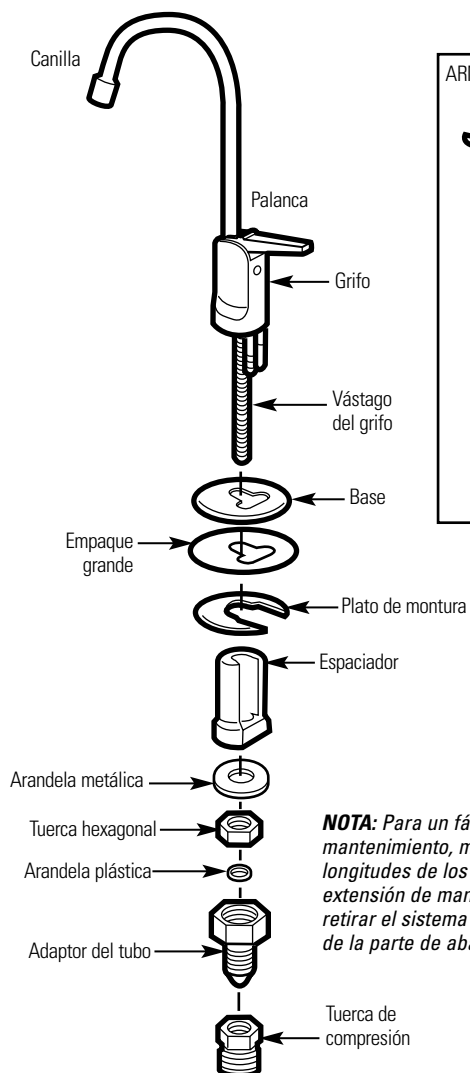
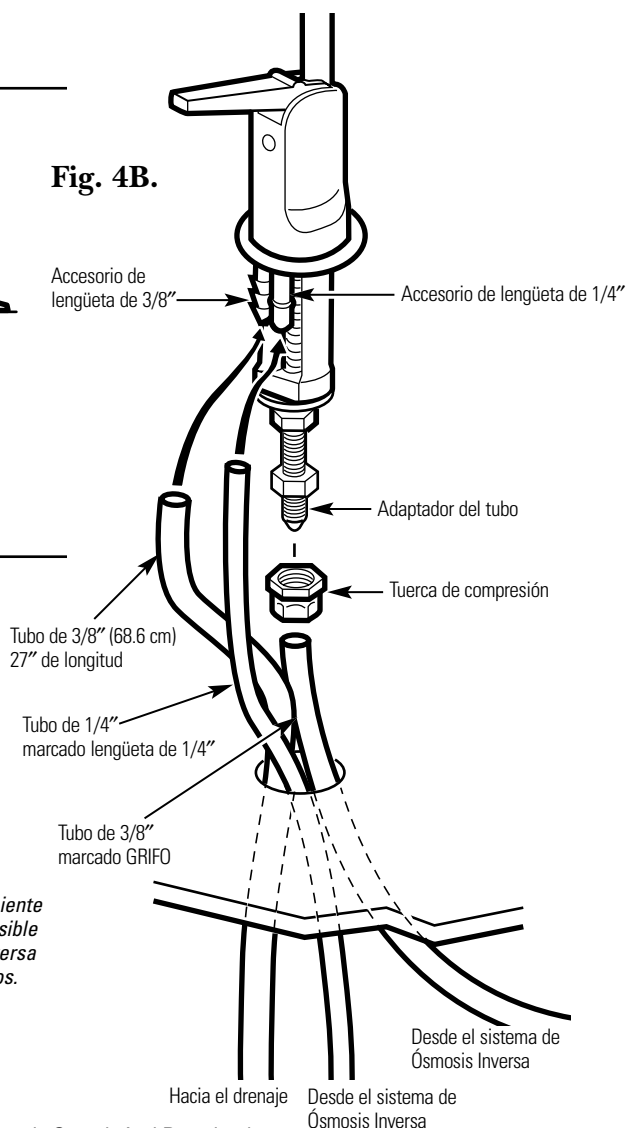


Fig. 4B.



NOTA: Para un fácil servicio y mantenimiento, mantenga las longitudes de los tubos con suficiente extensión de manera que sea posible retirar el sistema de Ósmosis Inversa de la parte de abajo del lavaplatos.

Solucionar problemas

Servicio al consumidor

Tubo de drenaje del grifo y tubo de suministro de agua

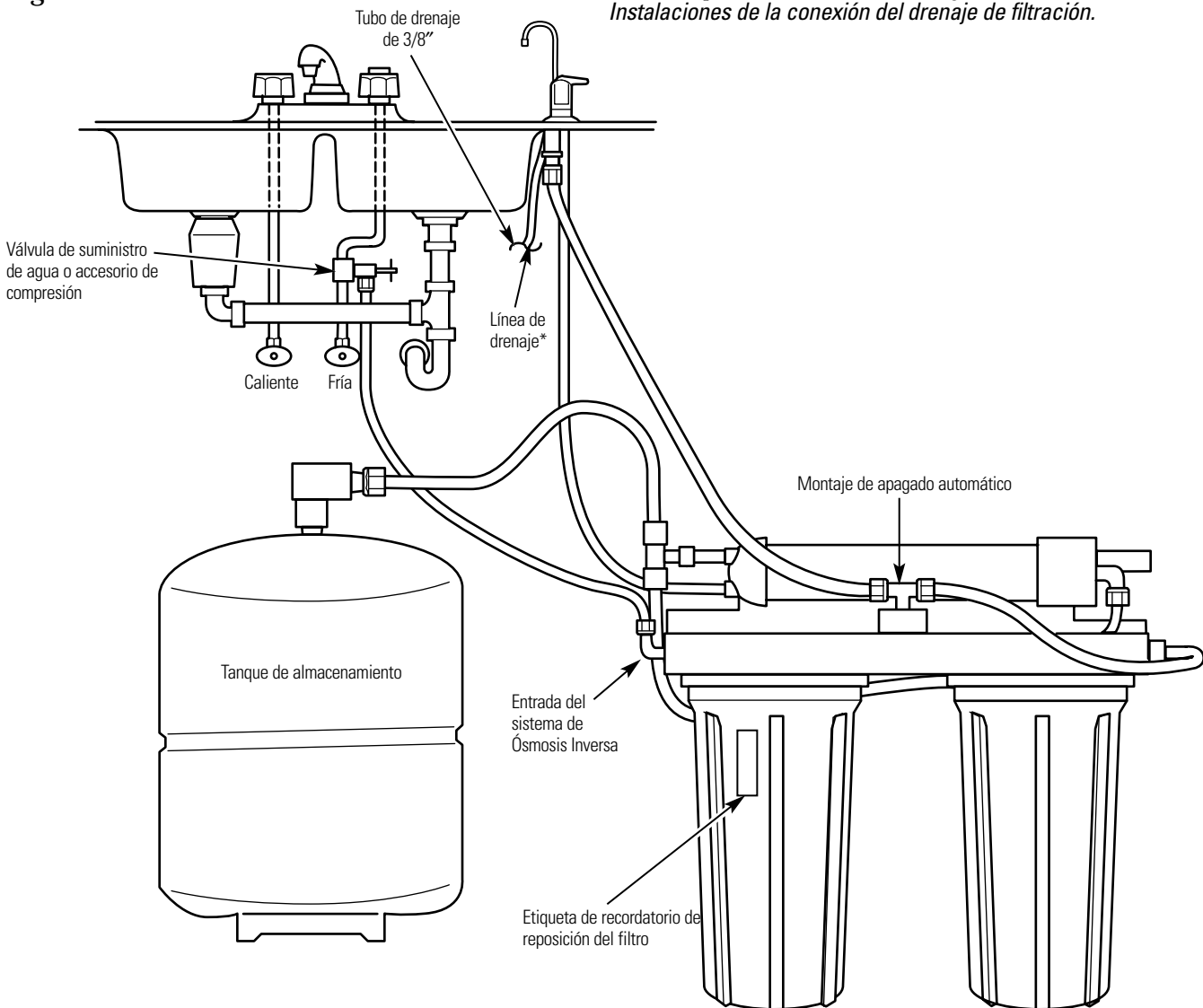
Si se usó la **Opción A, INSTALACIÓN DE ACCESO AL SÓTANO**, consulte la sección *Instalaciones de conexión de drenaje de filtración, dirijase al paso 2.*

1 Si se usó la **Opción B, C o D de la página 60 o 61**, conecte el tubo de drenaje del grifo corriendo la longitud de 27" (68.6 cm), 3/8" de tubo de la lengüeta del grifo de 3/8" hacia el accesorio de drenaje (instalado en la sección *Instalaciones de la conexión del drenaje de filtración*). **Conserve este tubo lo más corto posible, sin hundimientos, vueltas ni caídas.** Corte el tubo según sea necesario e inserte el accesorio de drenaje (consulte la Fig. 3B, 3C ó 3D en la sección *Instalaciones de la conexión del drenaje de filtración*.)

- 2** Para conectar el tubo del suministro de agua: Corra el tubo de 1/4" (marcado "SUMINISTRO DE AGUA") desde la entrada del sistema de Ósmosis Inversa hacia el accesorio de suministro del agua de alimentación (Consulte la Fig. 2A ó 2B, en la sección *Suministro de agua de alimentación*) y apriete la tuerca firmemente (use cinta de teflón (Teflon Tape™) para evitar las fugas).
- 3** Aplique la etiqueta de recordatorio de reposición del filtro a uno de los sumideros del filtro entre las venas. Marque la fecha para la reposición del filtro seis meses después de la fecha de instalación.

Fig. 5.

*Para las opciones de la línea de drenaje consulte la sección *Instalaciones de la conexión del drenaje de filtración.*



Instrucciones de instalación paso por paso.

Seguridad

Operación

Instalación

Solucionar problemas

Servicio al consumidor

Montaje del sistema de Ósmosis Inversa e Instalación del tanque de almacenamiento

1. Sostenga el montaje del sistema de Ósmosis Inversa contra la superficie de la pared donde lo instalará. Marque la ubicación de las arandelas de suspensión y tornillos.
2. Ajuste las arandelas de suspensión a la superficie de la pared. Se incluyen tornillos de madera para ajustar a una superficie de madera. Obtenga otros tornillos según sea necesario.
3. Cuelgue la Montaje del Ósmosis Inversa en las arandelas de suspensión.
4. Conecte el tubo al tanque de almacenamiento: Corra el tubo de 3/8" (marcado "TANQUE DE ALMACENAMIENTO") del accesorio en T en el módulo del sistema de Ósmosis Inversa hacia la válvula de apagado del tanque. Use cinta de teflón para evitar fugas.

Fig. 6A.

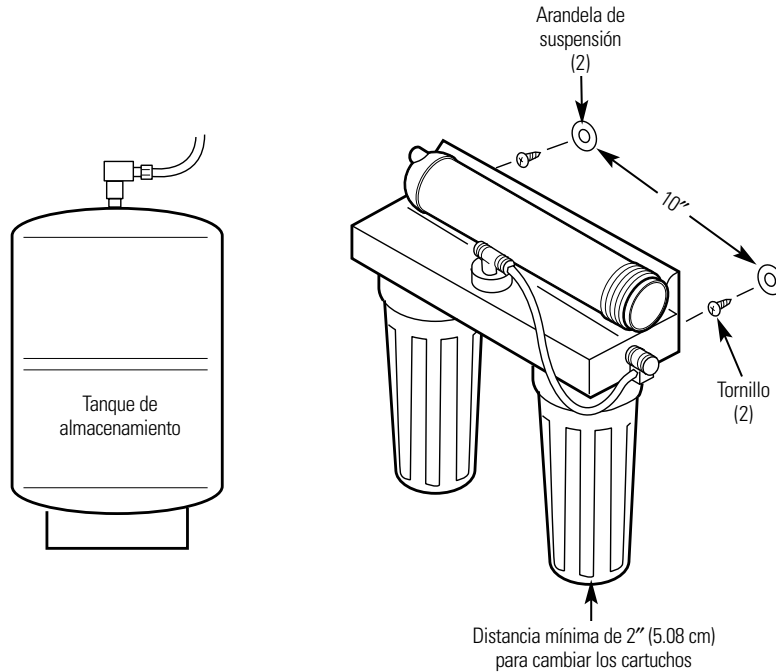
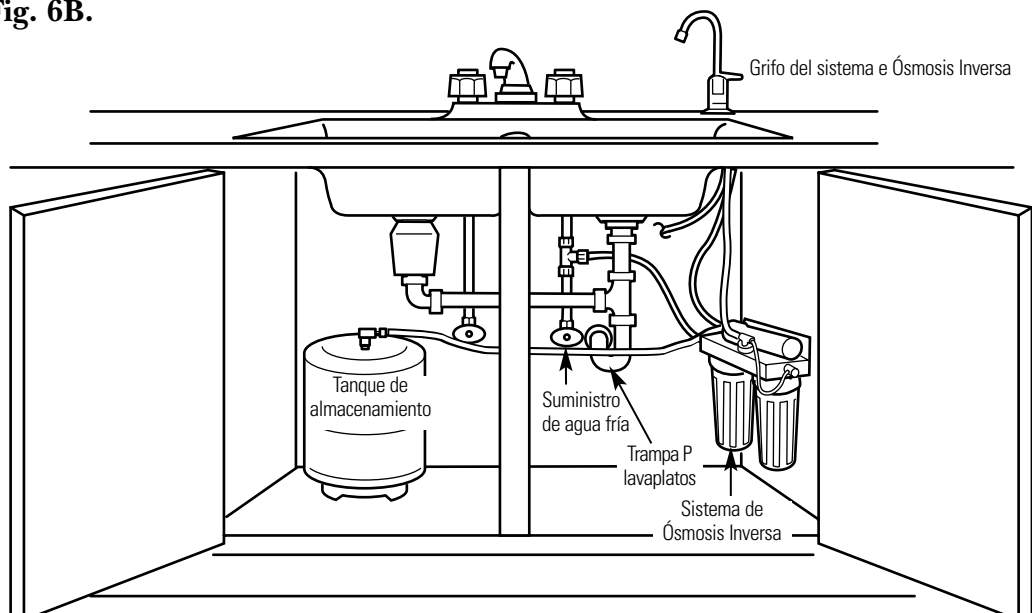


Fig. 6B.



*Para opciones de la línea de drenaje, consulte la sección *Instalaciones de la conexión de drenaje de filtración*.

Ahora que su Sistema de Ósmosis Inversa está instalado...Desinfecte

Desinfecte después de instalar y después de poner en servicio las partes internas, incluyendo la reposición del pre-filtro y post-filtro y el cartucho del sistema de Ósmosis Inversa. Es importante lavarse las manos con jabón anti-bacterial antes de manipular las partes internas del sistema. Consulte la sección *Desinfección del Sistema de Ósmosis Inversa*.

⚠ PRECAUCIÓN: Si está instalando la unidad en una nueva construcción asegúrese de que la tubería de la casa ha sido lavada completamente antes de abrir la válvula de suministro de agua. También, antes de desinfectar, asegúrese de retirar todos los cartuchos según se describe en la sección de *Desinfección del Sistema Ósmosis Inversa*. El cloro destruirá el cartucho del sistema de Ósmosis Inversa.

- 1 Complete los procedimientos de *Reposición del cartucho y Desinfección del sistema* (consulte las páginas 53–55), excepto la reinstalación de los filtros provistos con la unidad.
- 2 Purgue la membrana. Consulte el Paso 12 en la sección *Reposición del cartucho de Ósmosis Inversa*.
- 3 Con cuidado, revise el sistema en busca de fugas.

Lista de verificación para la instalación

1. ¿Están todas las conexiones de los tubos firmemente apretadas? ¿Corren entre los puntos señalados? ¡Sin fugas!
2. ¿Usó la opción B, C o D para el drenaje? Asegúrese de que el tubo de drenaje de 3/8", desde el grifo hacia el punto de drenaje, no tiene hundimientos, vueltas o caídas.
3. ¿La válvula de apagado del suministro de agua está abierta?
4. ¿Desinfectó y purgó el sistema?

Antes de llamar a solicitar servicio...



Consejos para la solución de fallas
¡Ahorre tiempo y dinero! Revise las tablas en las siguientes páginas primero y quizás no necesite llamar a solicitar un servicio.

Seguridad

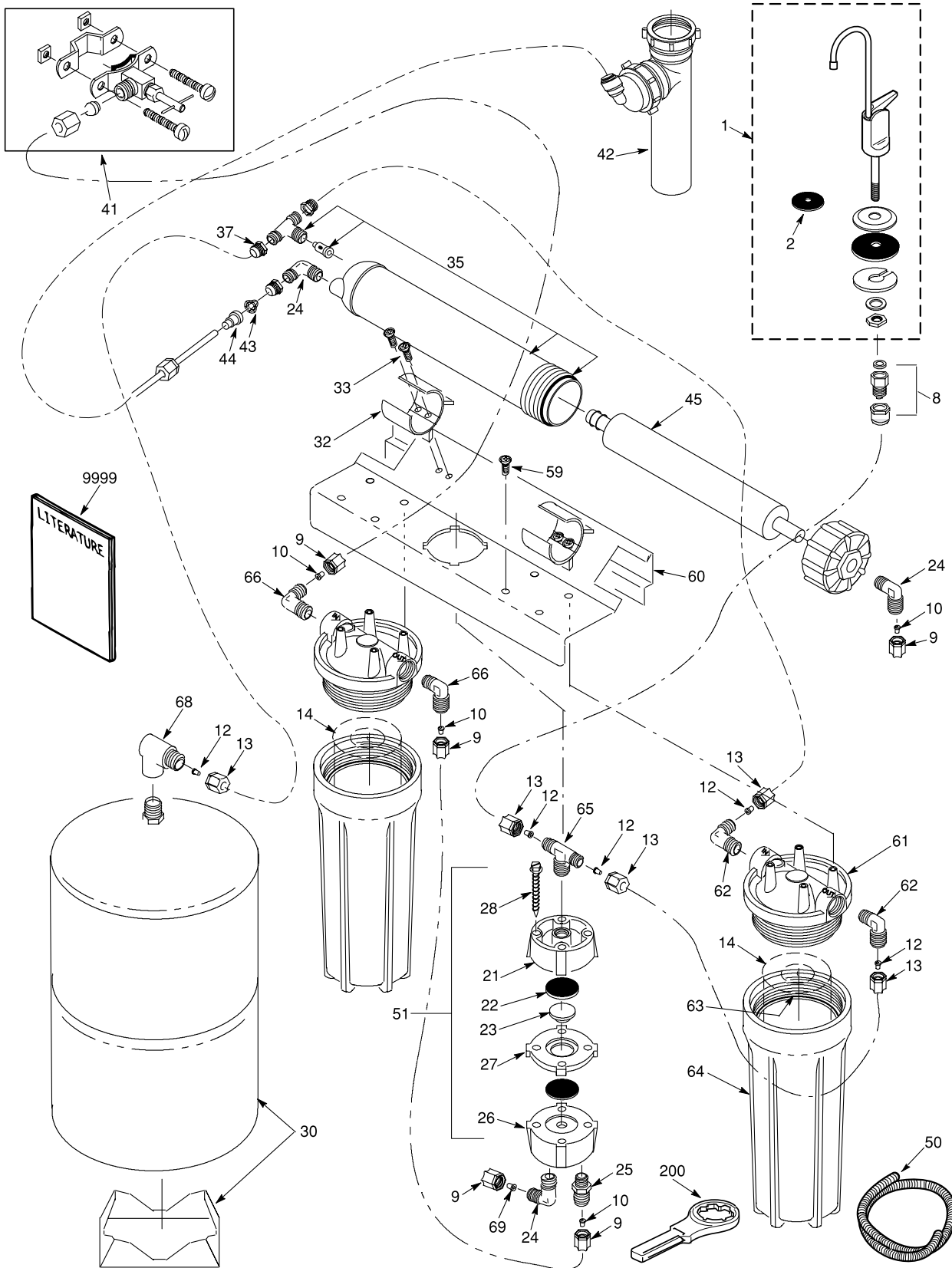
Operación

Instalación

Solucionar problemas

Servicio al consumidor

Problema	Posible causas	Qué hacer
Sonidos que pueda escuchar	Fluido de agua desde la unidad hacia un drenaje.	<ul style="list-style-type: none"> • Esto es normal.
El agua tiene burbujas de aire y está turbia	Aire en el sistema después de la instalación.	<ul style="list-style-type: none"> • Desaparecerá después de que el agua corra por un tiempo.
Sabor y/u olor a cloro en el agua producida por el sistema de Ósmosis Inversa	El nivel de ppm de cloro en su suministro de agua supera los límites máximos y ha destruido la membrana del sistema de Ósmosis Inversa.	<ul style="list-style-type: none"> • Si el suministro de agua contiene más de 2,0 ppm de cloro, se necesita filtración adicional del suministro de agua hacia el sistema de Ósmosis Inversa. Corrija esta condición antes de hacer mantenimiento al sistema de Ósmosis Inversa.
	El pre-filtro ya no está retirando el cloro del suministro de agua.	<ul style="list-style-type: none"> • Reemplace el cartucho de la membrana, control, rejilla, pre-filtro y post-filtro del sistema de Ósmosis Inversa.
Otro sabor y/u olor	Agua producida de alta calidad puede tener un sabor diferente al que está acostumbrado.	<ul style="list-style-type: none"> • Esto es normal.
	Bajo uso de agua.	<ul style="list-style-type: none"> • Drene completamente el sistema y permita que se vuelva a llenar.
	Contaminación en almacenamiento del agua producida.	<ul style="list-style-type: none"> • Siga los procedimientos de desinfección.
	El pre-filtro, post-filtro y/o el cartucho deben ser cambiados.	<ul style="list-style-type: none"> • Reponga el pre-filtro y post-filtro. Si el sabor y olor persisten, reemplace el cartucho, control del flujo y rejilla del sistema de Ósmosis Inversa.
Agua goteando del orificio del vacío de aire del grifo	El lado de drenaje del vacío de aire del grifo (tubo de 3/8") está obstruido, restringido o incorrectamente conectado hacia el punto de drenaje.	<ul style="list-style-type: none"> • Inspeccione y elimine obstrucciones o bloqueos. Es importante que no haya hundimientos, vueltas o caídas en la línea de drenaje desde el vacío de aire del grifo hacia la tubería de drenaje. Consulte la sección <i>Instalaciones de la conexión del drenaje de filtración</i> para una conexión apropiada del drenaje. Si el adaptador de la línea de drenaje se usó como el punto de drenaje, se recomienda una inspección/limpieza periódica.
El sistema produce el agua muy lentamente	Esto es normal.	<ul style="list-style-type: none"> • El ritmo de flujo del agua será inferior que el de su llave normal.
	El suministro de agua hacia el sistema Ósmosis Inversa no está dentro de las especificaciones.	<ul style="list-style-type: none"> • Aumente la presión del agua, precondicione el agua, etc., según sea necesario para adaptarse antes de hacer mantenimiento el sistema de Ósmosis Inversa.
	El cartucho de pre-filtro está obstruido con sedimentos y/o el cartucho del sistema de Ósmosis Inversa está obstruido con sedimentos.	<ul style="list-style-type: none"> • Reemplace el filtro. Si el ritmo no aumenta, reemplace el post-filtro, cartucho del sistema de Ósmosis Inversa, control del flujo y rejilla.



***NOTA:** Los códigos del estado de Massachusetts requieren de instalación por parte de un plomero certificado y no permiten el uso de válvula de montura. Para la instalación, use el código de plomería 248-CMR de Massachusetts.

Catálogo de partes de General Electric.

No. REF.	PARTE NO.	DESCRIPCIÓN DE LA PARTE	GXRV10ABL01
0001	WS15X10024	DEL GRIFO PALANCA Y PUNTA NEGRA	1
0002	WS08X10002	EMPAQUE SUPERIOR	1
0008	WS03X10003	ADAPTADOR DEL TUBO	1
0009	WS22X10005	ARANDELA PARA TUBO DE 1/4"	8
0010	WS22X10006	INSERTO PARA TUBO DE 1/4"	7
0012	WS22X10007	INSERTO PARA TUBO DE 3/8"	7
0013	WS22X10008	ARANDELA PARA TUBO DE 3/8"	7
0014	FX12P	PRE Y POST FILTROS	2
0021	WS10X10005	BASE DE VÁLVULA	1
0022	WS22X10009	DIAFRAGMA	2
0023	WS22X10010	ÉMBOLO	1
0024	WS22X10012	CODO DE 1/8" NPT X 1/4"	1
	WS22X10011	CODO DE 1/8" NPT X 1/4" Y TUERCA	3
0025	WS22X10013	CONECTOR CON TUERCA DE 1/8" NPT	1
0026	WS10X10006	PARTE SUPERIOR DE VÁLVULA	1
0027	WS10X10007	CENTRO DE VÁLVULA	1
0028	WS02X10010	TORNILLO #10-14 X 1-3/4"	4
0030	WS32X10012	TANQUE 1,3 GAL.	1
0032	WS02X10018	GRAPA	2
0033	WS02X10017	TORNILLO	4
0035	WS35X10033	CAJA Y ASM DE INSPECCIÓN	1
0041	WS15X10023	VÁLVULA DE MONTURA-SUMINISTRO	1
0042	WS18X10006	ADAPTADOR DE LA LÍNEA DE DRENAJE-DLA9	1
0043	WS03X10015	REJILLA	1
0044	WS03X10042	CONTROL DE FLUTO	1
0045	FX12M	CARTUCHO DEL SISTEMA DE ÓSMOSIS INVERSA	1
0050	WS07X10008	TUBO 3/8" X 20 pies-blanco	1
	WS07X10005	TUBO 1/4" X 10 pies-negro	1
	WS07X10007	TUBO 3/8" X 20 pies-negro	1
	WS07X10006	TUBO 1/4" X 20 pies-blanco	1
0051	WS15X10014	MONTAJE DE APAGADO	1
0059	WS02X10020	TORNILLO #10 X 1/2"	8
0060	WS28X10008	RETENEDOR	1
0061	WS19X10007	CABEZA	2
0062	WS22X10002	CODO 3/8" NPT X 3/8"	2
0063	WS03X10001	ANILLO 3-3/8" X 3-5/8"	2
0064	WS30X10001	SUMIDERO	1
0065	WS22X10025	TUBO EN T 1/8" NPT X 3/8"	1
0066	WS22X10026	CODO 3/8" NPT X TUBO DE 1/4"	2
0068	WS22X10027	CODO, 1/4" NPT X 3/8"	1
0069	WS22X10028	INSERTO, CONTROL DEL FLUJO	1
0200	WX55X140	LLAVE PARA SUMIDERO	1
9999	49-50071	MANUAL DEL PROPIETARIO Y INSTALACIÓN	1

Para obtener partes de repuesto llame sin costo al 800-626-2002 (EE.UU.), 800-663-6060 (Canadá-inglés), 800-361-3869 (Canadá-francés).

*** NOTA:** Los códigos del estado de Massachusetts requieren de instalación por parte de un plomero certificado y no permiten el uso de válvula de montura. Para la instalación, use el código de plomería 248-CMR de Massachusetts.

Seguridad

Operación

Instalación

Solucionar problemas

Servicio al consumidor

Garantía del Sistema Ósmosis Inversa.

Seguridad



Todo servicio de garantía será proporcionado por un Proveedor de Servicio GE SmartWater™ autorizado. Para concertar una cita en línea, visítenos 24 horas al día a www.GEAppliances.com, o llámenos gratuitamente al 800.GE.CARES (U.S.) o al 866.777.7627 (Canadá).

Grape aquí su recibo. Se requiere facilitar prueba de la fecha de compra original para obtener un servicio bajo la garantía.

Operación

Por el período de: **GE repondrá:**

Un año

A partir de la fecha de compra original

Cualquier parte del Sistema de Filtración de Ósmosis Inversa cuya falla se deba a un defecto material o de mano de obra. Durante esta **garantía limitada de un año**, GE también ofrecerá **sin costo**, toda la mano de obra (no incluye el viaje de servicio hasta la casa) para reemplazar la parte defectuosa. Todo servicio de garantía será proporcionado por un Proveedor de Servicio GE SmartWater™ autorizado.

Instalación

Qué no cubrirá GE:

- Visitas de servicio hasta su casa para enseñarle cómo usar el producto.
- Instalación inapropiada.
- Falla del producto si es abusado, mal utilizado o usado con un fin diferente al propósito pretendido.
- Filtros o membranas.
- Los defectos que resulten de una instalación inapropiada o daños no causados por GE.
- La responsabilidad legal de parte de GE bajo esta u otra garantía por cualquier daño indirecto o consecuencial.
- Productos que son usados para aplicaciones comerciales o industriales.
- Uso de este producto donde el agua sea microbiológicamente insegura o de calidad desconocida, sin una desinfección adecuada. Los sistemas certificados para la reducción de quistes pueden ser usados en agua desinfectada que puede contener quistes filtrables.
- La reposición de fusibles caseros o arreglo de cortocircuitos.
- Daño al producto causado por accidente, incendio, inundación o actos de Dios.
- Daños incidentales o consecuentes causados por posibles defectos con este aparato.

Esta garantía se extiende al comprador original y a cualquier propietario posterior de productos adquiridos para uso casero dentro de los EE.UU. En Alaska, la garantía excluye el costo de envío o llamadas de servicio a su casa.

Algunos estados no permiten la exclusión o límite de daños incidentales o consecuentes. Esta garantía le concede sus derechos legales específicos, y también puede tener otros derechos que varían de estado a estado. Para conocer cuáles son sus derechos legales, consulte a su oficina local o estatal de asuntos del cliente o a la Procuraduría de su estado.

ESTA GARANTÍA REEMPLAZA CUALQUIER OTRA GARANTÍA, EXPRESA O IMPLICADA, INCLUYENDO LAS GARANTÍAS DE COMERCIALIZACIÓN O PROPIEDAD PARA UN PROPÓSITO PARTICULAR.

Solucionar problemas

Garante: General Electric Company. Louisville, KY 40225

Servicio al consumidor

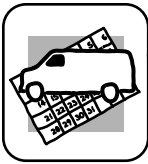
Soporte al consumidor.



Página Web de GE Appliances

www.GEAppliances.com

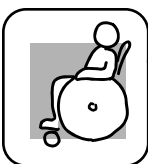
¿Tiene alguna pregunta sobre su electrodoméstico? ¡Pruebe la página Web de GE Appliances 24 horas al día, cualquier día del año! Para mayor conveniencia y servicio más rápido, ya puede descargar los Manuales de los Propietarios, pedir piezas o incluso hacer una cita en línea para que vengan a realizar una reparación. También puede “Ask Our Team of Experts™” (Preguntar a nuestro equipo de expertos) sobre cualquier cuestión y mucho más...



Solicite una reparación

www.GEAppliances.com

El servicio de expertos GE está a tan sólo un paso de su puerta. ¡Entre en línea y solicite su reparación cuando le venga bien 24 horas al día cualquier día del año! O llame al 800.GE.CARES (800.432.2737) durante horas normales de oficina.



Real Life Design Studio (Estudio de diseño para la vida real) www.GEAppliances.com

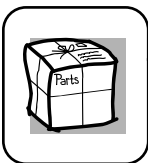
GE apoya el concepto de Diseño Universal—productos, servicios y ambientes que pueden usar gente de todas las edades, tamaños y capacidades. Reconocemos la necesidad de diseñar para una gran gama de habilidades y dificultades físicas y mentales. Para más detalles sobre las aplicaciones de GE Diseño Universal, incluyendo ideas de diseño para la cocina para personas con discapacidades, mire nuestra página Web hoy mismo. Para personas con dificultades auditivas, favor de llamar al 800.TDD.GEAC (800.833.4322).



Garantías ampliadas

www.GEAppliances.com

Compre una garantía ampliada y obtenga detalles sobre descuentos especiales disponibles mientras su garantía está aún activa. Puede comprarla en línea en cualquier momento, o llamar al (800.626.2224) durante horas normales de oficina. GE Consumer Home Services estará aún ahí cuando su garantía termine.

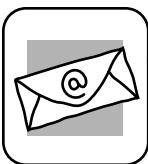


Piezas y accesorios

www.GEAppliances.com

Aquellos individuos con la calificación necesaria para reparar sus propios electrodomésticos pueden pedir que se les manden las piezas o accesorios directamente a sus hogares (aceptamos las tarjetas VISA, MasterCard y Discover). Haga su pedido en línea hoy, 24 horas cada día o llamar por teléfono al 800.626.2002 durante horas normales de oficina.

Las instrucciones descritas en este manual cubren los procedimientos a seguir por cualquier usuario. Cualquier otra reparación debería, por regla general, referirse a personal calificado autorizado. Debe ejercerse precaución ya que las reparaciones incorrectas pueden causar condiciones de funcionamiento inseguras.



Póngase en contacto con nosotros

www.GEAppliances.com

Si no está satisfecho con el servicio que recibe de GE, póngase en contacto con nosotros en nuestra página Web indicando todos los detalles así como su número de teléfono o escribanos a:

General Manager,
Customer Relations
GE Appliances,
Appliance Park
Louisville, KY 40225



Registre su electrodoméstico

www.GEAppliances.com

¡Registre su nuevo electrodoméstico en línea—cuando usted prefiera! El registrar su producto a tiempo le proporcionará, si surgiera la necesidad, una mejor comunicación y un servicio más rápido bajo los términos de su garantía. También puede enviar su tarjeta de registro pre-impresa que se incluye en el material de embalaje o recorte y use el formulario de este Manual del Propietario.

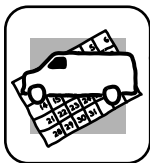
Consumer Support.



GE Appliances Website

In the U.S.: www.GEAppliances.com

Have a question or need assistance with your appliance? Try the GE Appliances Website 24 hours a day, any day of the year! For greater convenience and faster service, you can now download Owner's Manuals, order parts, catalogs, or even schedule service on-line. You can also "Ask Our Team of Experts™" your questions, and so much more... **In Canada:** www.geappliances.ca



Schedule Service

In the U.S.: www.GEAppliances.com

Expert GE repair service is only one step away from your door. Get on-line and schedule your service at your convenience 24 hours any day of the year! Or call 800.GE.CARES (800.432.2737) during normal business hours. **In Canada, call 1.800.361.3400**



Real Life Design Studio

In the U.S.: www.GEAppliances.com

GE supports the Universal Design concept—products, services and environments that can be used by people of all ages, sizes and capabilities. We recognize the need to design for a wide range of physical and mental abilities and impairments. For details of GE's Universal Design applications, including kitchen design ideas for people with disabilities, check out our Website today. For the hearing impaired, please call 800.TDD.GEAC (800.833.4322).

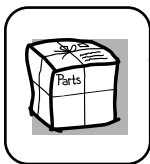
In Canada, contact: Manager, Consumer Relations, Camco, Inc.
Suite 310, 1 Factory Lane
Moncton, N.B. E1C 9M3



Extended Warranties

In the U.S.: www.GEAppliances.com

Purchase a GE extended warranty and learn about special discounts that are available while your warranty is still in effect. You can purchase it on-line anytime, or call 800.626.2224 during normal business hours. GE Consumer Home Services will still be there after your warranty expires. **In Canada, call 1.888.261.2133**



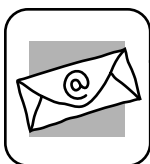
Parts and Accessories

In the U.S.: www.GEAppliances.com

Individuals qualified to service their own appliances can have parts or accessories sent directly to their homes (VISA, MasterCard and Discover cards are accepted). Order on-line today, 24 hours every day or by phone at 800.626.2002 during normal business hours.

Instructions contained in this manual cover procedures to be performed by any user. Other servicing generally should be referred to qualified service personnel. Caution must be exercised, since improper servicing may cause unsafe operation.

Customers **in Canada** should consult the yellow pages for the nearest Camco service center, or call 1.888.261.3055.



Contact Us

In the U.S.: www.GEAppliances.com

If you are not satisfied with the service you receive from GE, contact us on our Website with all the details including your phone number, or write to: General Manager, Customer Relations
GE Appliances, Appliance Park
Louisville, KY 40225

In Canada: www.geappliances.ca, or write to: Director, Consumer Relations, Camco, Inc.
Suite 310, 1 Factory Lane
Moncton, N.B. E1C 9M3



Register Your Appliance

In the U.S.: www.GEAppliances.com

Register your new appliance on-line—at your convenience! Timely product registration will allow for enhanced communication and prompt service under the terms of your warranty, should the need arise. You may also mail in the pre-printed registration card included in the packing material, or detach and use the form in this Owner's Manual. **In Canada:** www.geappliances.ca

Free Manuals Download Website

<http://myh66.com>

<http://usermanuals.us>

<http://www.somanuals.com>

<http://www.4manuals.cc>

<http://www.manual-lib.com>

<http://www.404manual.com>

<http://www.luxmanual.com>

<http://aubethermostatmanual.com>

Golf course search by state

<http://golfingnear.com>

Email search by domain

<http://emailbydomain.com>

Auto manuals search

<http://auto.somanuals.com>

TV manuals search

<http://tv.somanuals.com>