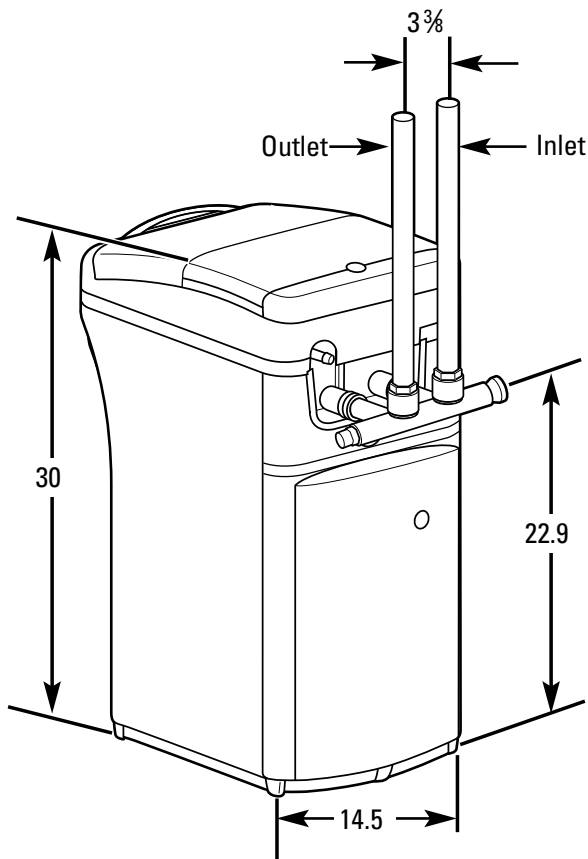




GE Appliances

GXSF18G – GE SmartWater™ Water Softening System



Salt Capacity – 138 lbs.

Important: All units must be installed according to local codes.

Note: Before installing, consult installation instructions packed with product for current dimensional data.

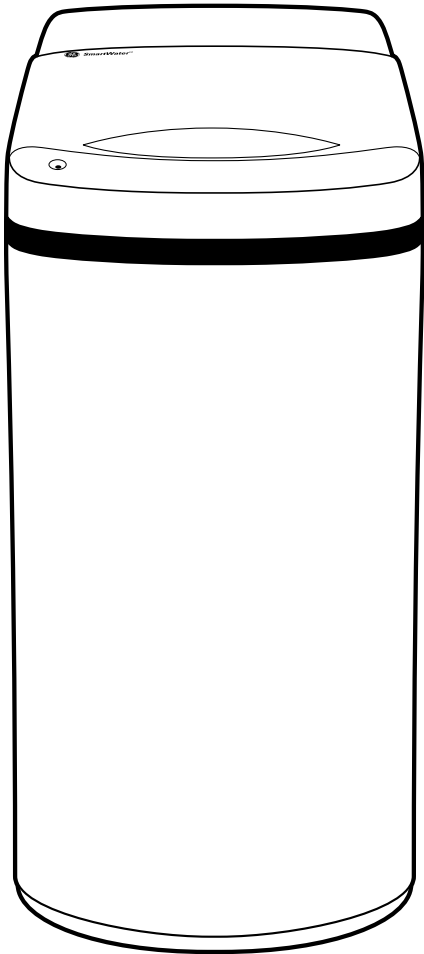
Specification Created 2/06
380220

For answers to your Monogram®, GE Profile™ or GE appliance questions, visit our website at GEAppliances.com or call GE Answer Center® service, 800.626.2000.



GE Appliances

GXSF18G – GE SmartWater™ Water Softening System



Features and Benefits

- 18,800 capacity (Grains)
- SmartSoft™ Technology
- Low profile for easy salt loading
- Independent sliding lids for salt bin and controls
- Advanced electronic controls
- Audible alarm
- “Days to empty” indicator
- Status light indicator
- Salt level monitor
- By-pass valve for added flexibility
- All parts included for easy installation

**Specification Created 2/06
380220**

Free Manuals Download Website

<http://myh66.com>

<http://usermanuals.us>

<http://www.somanuals.com>

<http://www.4manuals.cc>

<http://www.manual-lib.com>

<http://www.404manual.com>

<http://www.luxmanual.com>

<http://aubethermostatmanual.com>

Golf course search by state

<http://golfingnear.com>

Email search by domain

<http://emailbydomain.com>

Auto manuals search

<http://auto.somanuals.com>

TV manuals search

<http://tv.somanuals.com>