

# PD900DP

## GE Profile™ 30" Drop-In Electric Range

### Dimensions and Installation Information (in inches)

KW Rating	
240V	11.6
208V	8.7
Breaker Size	
240V	40 Amps
208V	40 Amps

**Note:** Cabinets installed adjacent to slide-in ranges must have an adhesion spec of at least 194° temperature rating.

**Note:** To reduce possibility of scorching the side walls above the countertop when no load is present on burners, it is recommended that a minimum of 6" spacing from adjacent side wall be allowed for possible extended, high-heat, element operation.

**IMPORTANT:** 30" DROP-IN RANGES ARE DESIGNED TO HANG FROM THE COUNTERTOP. IT DOES NOT REST ON THE FLOOR. FOR INSTALLATION ALTERNATIVES, REFER TO INSTALLATION INSTRUCTIONS PACKED WITH PRODUCT.

### Optional Kits For Drop-In Electric Ranges (Available At Additional Cost)

#### Accessory Backguards

(Attaches to the back of range as a backguard when unit is installed in 30" free-standing cutout)

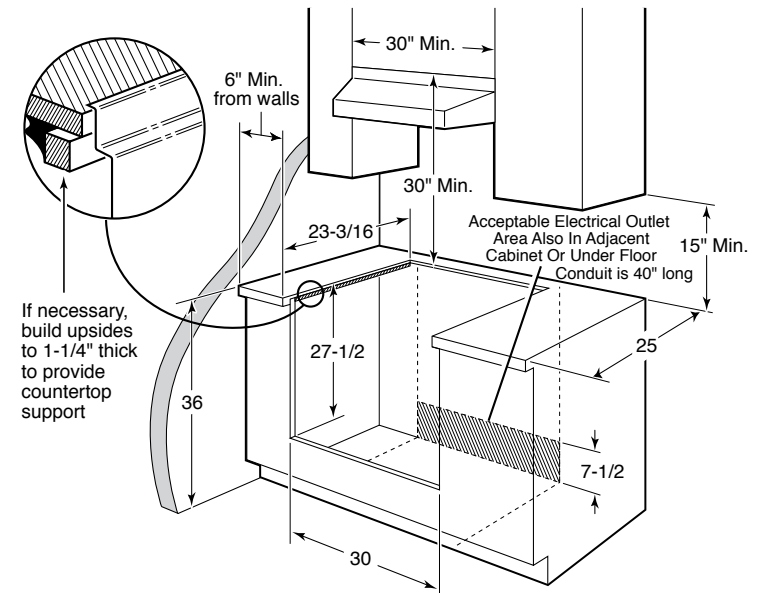
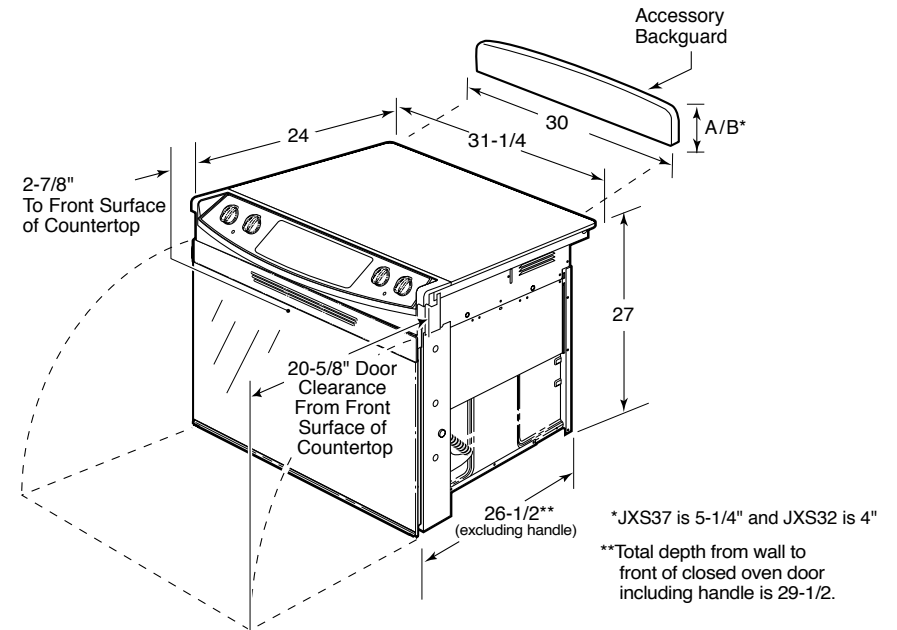
- JXS32SS (Stainless) - 4" High
- JXS32WW (White) - 4" High
- JXS32BB (Black) - 4" High
- JXS37WW (White) - 5-1/4" High
- JXS37CC (Bisque) - 5-1/4" High
- JXS37BB (Black) - 5-1/4" High

#### Rear Filler Strip

- WB07T10680 - Black Filler Strip Assembly
- WB07T10681 - White Filler Strip Assembly
- WB07T10682 - Bisque Filler Strip Assembly

**Installation information:** Before installing, consult installation instructions packed with product for current dimensional data.

For answers to your Monogram®, GE Profile™ or GE® appliance questions, visit our website at [ge.com](http://ge.com) or call GE Answer Center® service, 800.626.2000.



All GE ranges are equipped with an Anti-Tip device. The installation of this device is an important, required step in the installation of the range.



Listed by Underwriters Laboratories



Specification Created 5/09

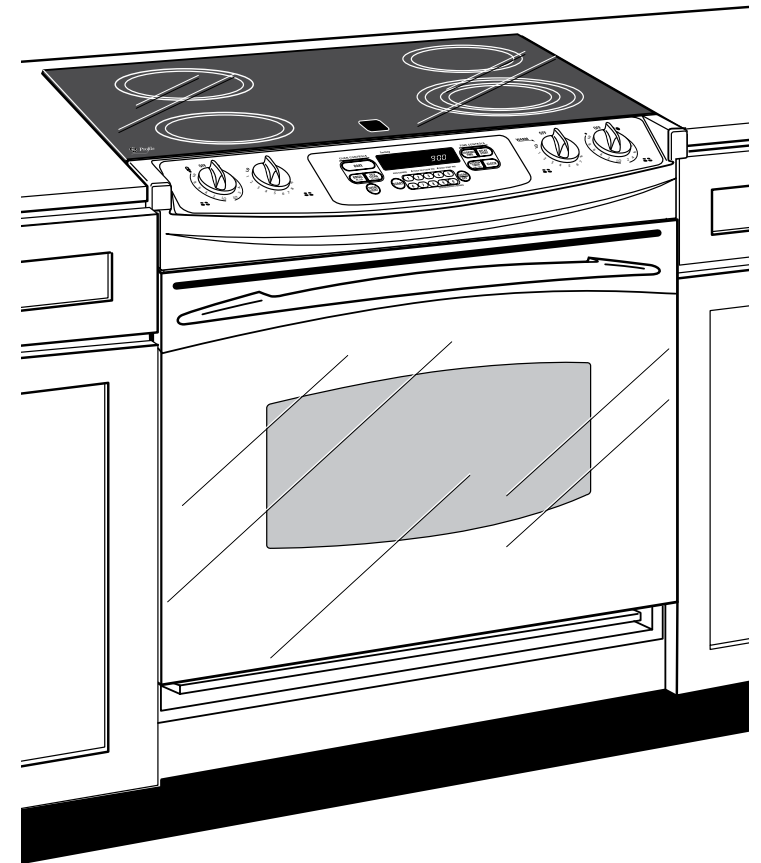
220804

# PD900DP

## GE Profile™ 30" Drop-In Electric Range

### Features and Benefits

- Self-clean Oven - Self-clean allows you to spare yourself from the trouble and effort it takes to scrub the oven interior. The oven does all the work!
- Electronic Oven Controls - Electronic pads on the control panel are easy to operate with just a touch
- PowerBoil™ Element - Accommodates various-size pots or pans and 3,000 watts of power speeds the broiling process
- Extra-large Oven Capacity - Enough room to cook an entire meal at once
- TrueTemp™ Oven System - This feature helps ensure the temperature you set is the temperature you get, with less variance, to give you the baking and broiling performance you desire
- Ribbon Heating Elements - Powerful heat beneath the smooth surface provides high-speed warm-up and even heating
- Ceramic Glass Cooktop - A smooth cooktop surface makes cleaning quick and easy
- Six-pass Bake Element - One continuous heating element delivers even heating, unparalleled baking and evenly cooked food
- Warm Mode - Helps keep just-cooked foods warm and at the ideal serving temperature
- Proof Mode - Gently circulate 100°F air allows dough to rise quickly and efficiently
- Model PD900DPWW - White on white (white door and patterned black cooktop)
- Model PD900DPCC - Bisque on bisque (bisque door and patterned black cooktop)
- Model PD900DPBB - Black on black (black door and black patterned cooktop)



imagination at work

## Free Manuals Download Website

<http://myh66.com>

<http://usermanuals.us>

<http://www.somanuals.com>

<http://www.4manuals.cc>

<http://www.manual-lib.com>

<http://www.404manual.com>

<http://www.luxmanual.com>

<http://aubethermostatmanual.com>

Golf course search by state

<http://golfingnear.com>

Email search by domain

<http://emailbydomain.com>

Auto manuals search

<http://auto.somanuals.com>

TV manuals search

<http://tv.somanuals.com>