



gemini

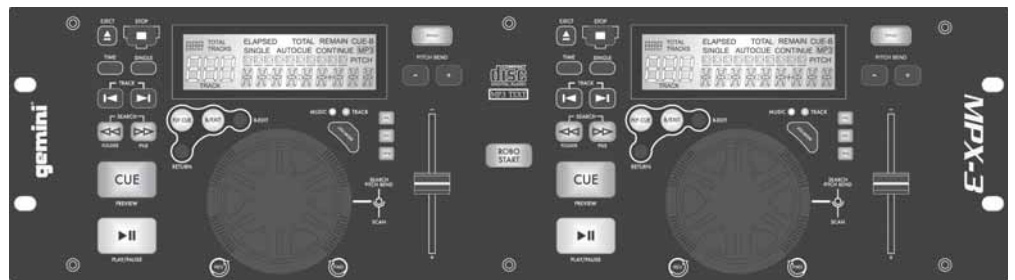


OPERATIONS MANUAL
BEDIENUNGSHANDBUCH
MANUAL DEL OPERADOR
MANUEL D'INSTRUCTIONS



MPX-3

DUAL PRO DIGITAL MP3/AUDIO CD-PLAYER
DOPPEL PROFI MP3/AUDIO DIGITALSCHALLPLATTE SPIELER
DOBLE PRO DIGITAL MP3/AUDIO LECTOR DE CD
PRO NUMÉRIQUE DUEL MP3/AUDIO LECTUER DE CD



PLAYS: MP3/AUDIO CD, CD-R, & CD-RW
SPIELT: MP3/AUDIO CD, CD-R, & CD-RW
REPRODUCE: MP3/AUDIO CD, CD-R, & CD-RW
REPREPRODIUT: MP3/AUDIO CD, CD-R, & CD-RW

MULTI-LANGUAGE INSTRUCTIONS:

ENGLISH.....	PAGE 3
DEUTSCH.....	PAGE 7
ESPAÑOL.....	PAGE 10
FRANCAIS.....	PAGE 13



PLEASE READ BEFORE USING APPLIANCE, IMPORTANT WARNING & SAFETY INSTRUCTIONS!



CAUTION: THIS PRODUCT SATISFIES FCC REGULATIONS WHEN SHIELDED CABLES AND CONNECTORS ARE USED TO CONNECT THE UNIT TO OTHER EQUIPMENT. TO PREVENT ELECTROMAGNETIC INTERFERENCE WITH ELECTRIC APPLIANCES SUCH AS RADIOS AND TELEVISIONS, USE SHIELDED CABLES AND CONNECTORS FOR CONNECTIONS.

THE EXCLAMATION POINT WITHIN AN EQUILATERAL TRIANGLE IS INTENDED TO ALERT THE USER TO THE PRESENCE OF IMPORTANT OPERATING AND MAINTENANCE (SERVICING) INSTRUCTIONS IN THE LITERATURE ACCOMPANYING THE APPLIANCE.

THE LIGHTNING FLASH WITH ARROWHEAD SYMBOL, WITHIN AN EQUILATERAL TRIANGLE, IS INTENDED TO ALERT THE USER TO THE PRESENCE OF UNINSULATED "DANGEROUS VOLTAGE" WITHIN THE PRODUCT'S ENCLOSURE THAT MAY BE OF SUFFICIENT MAGNITUDE TO CONSTITUTE A RISK OF ELECTRIC SHOCK TO PERSONS.

READ INSTRUCTIONS: All the safety and operating instructions should be read before the product is operated.

RETAIN INSTRUCTIONS: The safety and operating instructions should be retained for future reference.

HEED WARNINGS: All warnings on the product and in the operating instructions should be adhered to.

FOLLOW INSTRUCTIONS: All operating and use instructions should be followed.

CLEANING: The product should be cleaned only with a polishing cloth or a soft dry cloth. Never clean with furniture wax, benzene, insecticides or other volatile liquids since they may corrode the cabinet.

ATTACHMENTS: Do not use attachments not recommended by the product manufacturer as they may cause hazards.

WATER AND MOISTURE: Do not use this product near water, for example, near a bathtub, wash bowl, kitchen sink, or laundry tub; in a wet basement; or near a swimming pool; and the like.

ACCESSORIES: Do not place this product on an unstable cart, stand, tripod, bracket, or table. The product may fall, causing serious injury to a child or adult, and serious damage to the product. Use only with a cart, stand, tripod, bracket, or table recommended by the manufacturer, or sold with the product. Any mounting of the product should follow the manufacturer's instructions, and should use a mounting accessory recommended by the manufacturer.

CART: A product and cart combination should be moved with care. Quick stops, excessive force, and uneven surfaces may cause the product and cart combination to overturn. See Figure A.

VENTILATION: Slots and openings in the cabinet are provided for ventilation and to ensure reliable operation of the product and to protect it from overheating, and these openings must not be blocked or covered. The openings should never be blocked by placing the product on a bed, sofa, rug, or other similar surface. This product should not be placed in a built-in installation such as a bookcase or rack unless proper ventilation is provided or the manufacturer's instructions have been adhered to.

POWER SOURCES: This product should be operated only from the type of power source indicated on the marking label. If you are not sure of the type of power supply to your home, consult your product dealer or local power company.

LOCATION: The appliance should be installed in a stable location.

NON-USE PERIODS: The power cord of the appliance should be unplugged from the outlet when left unused for a long period of time.

GROUNDING OR POLARIZATION:

- If this product is equipped with a polarized alternating current line plug (a plug having one blade wider than the other), it will fit into the outlet only one way. This is a safety feature. If you are unable to insert the plug fully into the outlet, try reversing the plug. If the plug should still fail to fit, contact your electrician to replace your obsolete outlet. Do not defeat the safety purpose of the polarized plug.
- If this product is equipped with a three-wire grounding type plug, a plug having a third (grounding) pin, it will only fit into a grounding type power outlet. This is a safety feature. If you are unable to insert the plug into the outlet, contact your electrician to replace your obsolete outlet. Do not defeat the safety purpose of the grounding type plug.

POWER-CORD PROTECTION: Power-supply cords should be routed so that they are not likely to be walked on or pinched by items placed upon or against them, paying particular attention to cords at plugs, convenience receptacles, and the point where they exit from the product.

OUTDOOR ANTENNA GROUNDING: If an outside antenna or cable system is connected to the product, be sure the antenna or cable system is grounded so as to provide some protection against voltage surges and built-up static charges. Article 810 of the National Electrical Code, ANSI/NFPA 70, provides information with regard to proper grounding of the mast and supporting structure, grounding of the lead-in wire to an antenna discharge unit, size of grounding conductors, location of antenna-discharge unit, connection to grounding electrodes, and requirements for the grounding electrode. See Figure B.

LIGHTNING: For added protection for this product during a lightning storm, or when it is left unattended and unused for long periods of time, unplug it from the wall outlet and disconnect the antenna or cable system. This will prevent damage to the product due to lightning and power-line surges.

POWER LINES: An outside antenna system should not be located in the vicinity of overhead power lines or other electric light or power circuits, or where it can fall into such power lines or circuits. When installing an outside antenna system, extreme care should be taken to keep from touching such power lines or circuits as contact with them might be fatal.

OVERLOADING: Do not overload wall outlets, extension cords, or integral convenience receptacles as this can result in a risk of fire or electric shock.

OBJECT AND LIQUID ENTRY: Never push objects of any kind into this product through openings as they may touch dangerous voltage points or short-out parts that could result in a fire or electric shock. Never spill liquid of any kind on the product.

SERVICING: Do not attempt to service this product yourself as opening or removing covers may expose you to dangerous voltage or other hazards. Refer all servicing to qualified service personnel.

DAMAGE REQUIRING SERVICE: Unplug this product from the wall outlet and refer servicing to qualified service personnel under the following conditions:

- When the power-supply cord or plug is damaged.
- If liquid has been spilled, or objects have fallen into the product.
- If the product has been exposed to rain or water.
- If the product does not operate normally by following the operating instructions. Adjust only those controls that are covered by the operating instructions as an improper adjustment of other controls may result in damage and will often require extensive work by a qualified technician to restore the product to its normal operation.
- If the product has been dropped or damaged in any way.
- When the product exhibits a distinct change in performance, this indicates a need for service.

REPLACEMENT PARTS: When replacement parts are required, be sure the service technician has used replacement parts specified by the manufacturer or have the same characteristics as the original part. Unauthorized substitutions may result in fire, electric shock, or other hazards.

SAFETY CHECK: Upon completion of any service or repairs to this product, ask the service technician to perform safety checks to determine that the product is in proper operating condition.

WALL OR CEILING MOUNTING: The product should not be mounted to a wall or ceiling.

HEAT: The product should be situated away from heat sources such as radiators, heat registers, stoves, or other products (including amplifiers) that produce heat.



Fig. A

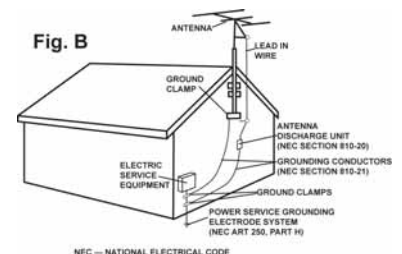


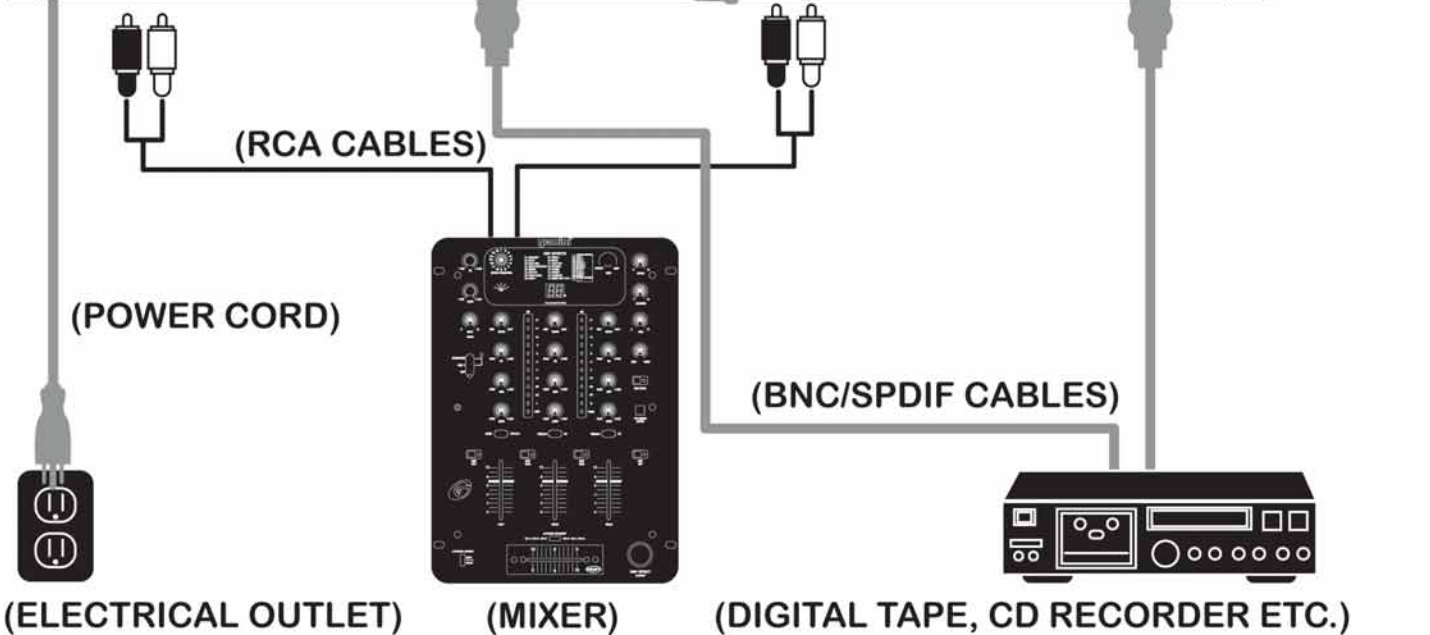
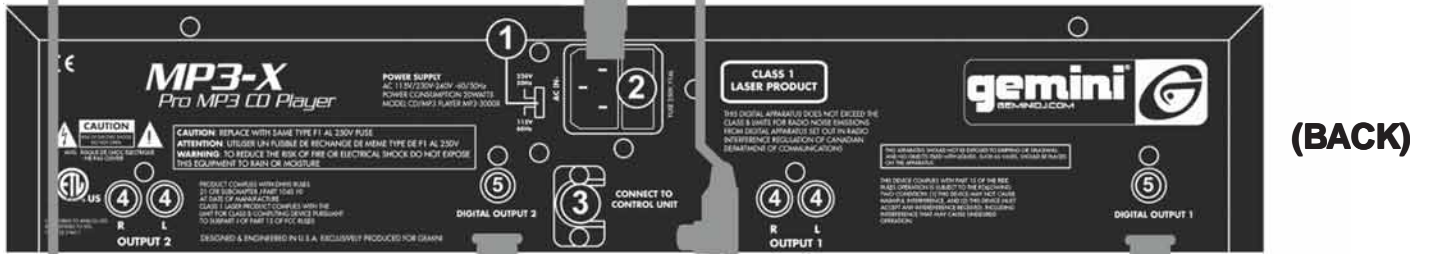
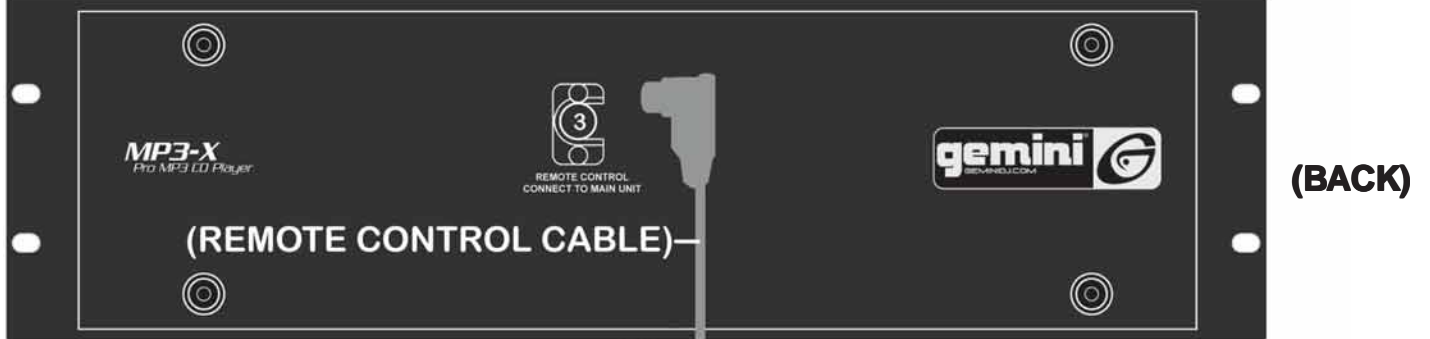
Fig. B
NEC — NATIONAL ELECTRICAL CODE

QUICK START GUIDE:

- ① **VOLTAGE SELECTOR:** To set the proper voltage, adjust the **VOLTAGE SELECTOR (1)** switch to **115** or **230** volts.
- ② **POWER JACK (AC IN):** Connect the power plug into the **POWER JACK (2)** for power.
- ③ **REMOTE CONTROL:** Use the included **CABLE & REMOTE CONTROL (3)** to connect the **REMOTE CONTROL** to the **MAIN UNIT**.
- ④ **LINE OUTPUT JACKS:** **LINE OUTPUT JACKS (4)** provide stereo sound via **RCA** cables to your **MIXER** or **RECEIVER**.
NOTE: MAKE SURE CABLES ARE PLUGGED IN TIGHT FOR OPTIMAL SOUND.
- ⑤ **DIGITAL OUTPUT (BNC):** Use the **BNC (5)** jack to connect to any type of device that accepts **DIGITAL SIGNALS**.
- ⑥ **POWER:** Press the **POWER (6)** button to turn on the CD player.
NOTE: MAKE SURE VOLTAGE SELECTOR SWITCH (1) IS SET BEFORE USE.
- ⑦ **DISC TRAY:** Put a CD in the **DISC TRAY (7)** after pressing **OPEN/CLOSE (8)**; trays hold both **12 cm** and **8 cm** CDs.
- ⑧ **OPEN/CLOSE:** Tap **OPEN/CLOSE (8)** once to open the tray and again to close it.
- ⑨ **DISPLAY:** The **DISPLAY (9)** shows the various functions for the CD Player. See **FUNCTION DESCRIPTIONS** for details.
- ⑩ **PLAYBACK DISPLAY BAR:** The **PLAYBACK DISPLAY BAR (10)** shows the **TIME ELAPSED** and **TIME REMAINING**.
- ⑪ **PLAY/PAUSE:** Press **PLAY/PAUSE (11)** button to activate **PLAY** or **PAUSE** mode. See **CUE** or **ROBO START INSTRUCTIONS** for details.
- ⑫ **CUE/PREVIEW:** Tap **CUE/PREVIEW (12)** to come back to a set **CUE** or press and hold to **PREVIEW** from a **CUE**, refer to **CUE INSTRUCTIONS**.
- ⑬ **SEARCH (FOLDER/FILE):** Use the **SEARCH (13)** buttons to scan forward and reverse directions on a **TRACK**.
In **MP3** mode use the **FOLDER** button to view which folder is being read and use the **FILE** button to view the file.
- ⑭ **TRACK SEARCH:** Press the **TRACK SEARCH (14)** buttons to select which **TRACK** to play.
- ⑮ **TIME:** Tap the **TIME (15)** button to switch the **TIME** preference in three modes: **ELAPSED**, **REMAIN**, **TOTAL REMAIN**.
- ⑯ **STOP:** Press **STOP (16)** once to stop the CD.
- ⑰ **SINGLE:** Tap **SINGLE (17)** for: **SINGLE AUTO CUE**, **CONTINUOUS**, and **NORMAL** modes.
- ⑱ **FLY CUE:** **FLY CUE (18)** sets a **CUE POINT** on the fly.
- ⑲ **B/EXIT:** Press **B/EXIT (19)** in **PLAY** mode, after a **CUE POINT** is memorized to start a **LOOP**, press again to exit **LOOP**.
- ⑳ **B-EDIT:** Press **B-EDIT (20)** and use the **JOG WHEEL (22)** to edit an existing **LOOP**, press again to exit **EDIT** mode.
- ㉑ **RETURN:** To play from a saved **CUE POINT** or a **LOOP**, press **RETURN (21)** to play the **LOOP** or the **CUE** again.
- ㉒ **JOG WHEEL:** The **JOG WHEEL (22)** has various functions: **PITCH BEND**, **CUEING**, and **TRACK SEARCHING**.
- ㉓ **JOG MODE:** Press to change the **JOG MODE (23)** of the **JOG WHEEL (22)** from **MUSIC** to **TRACK** mode.
- ㉔ **JOG MODE LED:** The **JOG MODE LED (24)** displays which **JOG MODE (23)** is in use.
- ㉕ **PITCH:** The **PITCH (25)** button activates the **PITCH CONTROL SLIDE (27)**
- ㉖ **PITCH BEND:** Buttons for **PITCH BEND (26)**, lower or raise the pitch percentage (- or +) **4%** when pressed.
- ㉗ **PITCH CONTROL SLIDE:** Moving the **PITCH CONTROL SLIDE (27)** up or down will lower or raise the pitch percentage (- or +) **4%**, **8%**, & **16%**.
- ㉘ **VPS (VARIABLE PITCH SELECTOR) 4%, 8% & 16%:** Use the **VPS (28)** buttons use to change the **PITCH** settings from **4%**, **8%**, & **16%**.
- ㉙ **ROBO START:** Using **ROBO START (29)** enables you to alternate play between two CDs using both sides.



MPX-3 CONNECTIONS



INTRODUCTION:

Congratulations on your purchase of a **Gemini MPX-3** CD Player. Your state-of-the-art professional CD Player is backed by a three-year warranty that excludes lasers, which are covered by a separate one-year warranty. Prior to use of this unit, we suggest you carefully read the following instructions. Your **Gemini MPX-3** CD Player comes equipped with **ADCS (Automatic Disc Calibration System)**, a unique state-of-the-art feature. CDs are produced by a variety of manufacturers and recorded by many different professional companies as well as the do-it-yourselfers at home. Therefore, all CDs do not play the same. The **ADCS** automatically adjusts the laser in your **MPX-3** CD Player for each individual CD you insert into the tray, to give you the best possible performance for every CD you play regardless of how it was manufactured or how it was recorded. With this exclusive system you always get consistent and reliable performance as well as exceptional sound quality every time you play a CD... any CD.

FEATURES:

- **Can Play:** MP3/AUDIO CDS, CDR, CDRW
- **Frame- Accurate & Ultra-Fast Track Music Search**
- **4%, 8%, 16% Pitch Control Range**
- **Pitch Bend**
- **Instant Start**
- **Search Mode Selector**
- **Adjustable Pitch Control**
- **High-Visibility Blue LCD Display**
- **MP3 Disc Text**
- **Robo-Start**
- **Anti-Shock Buffer Memory**
- **Inner/Outer Jog Wheel**
- **Real-Time Editing For Loop**
- **Cue, Pitch, Loop & Bend**

CAUTIONS:

Do not use this **CD** player at temperatures below **41°F/5°C** or higher than **95°F/35°C**. The apparatus should not be exposed to dripping or splashing, and no objects filled with liquids such as vases should be placed on the apparatus. Place the unit in a clean and dry location. Do not place the unit in an unstable location. When disconnecting the power cord from an AC outlet, always grasp it by the plug. Never pull the power cord. To prevent electric shock, do not remove the cover or the bottom screws. There are no user serviceable parts inside. Please refer servicing to a qualified technician. Do not use chemical solvents to clean the unit. Keep the laser pickup clean by keeping the tray closed. Keep this manual in a safe place for future reference.

SAFETY CERTIFICATIONS:

Laser Diode Properties
Material: Ga - Al - As
Wavelength: 755 - 815 nm (25° C)
Laser Output: Continuous Wave, max. 5mW

LINE VOLTAGE SELECTION:

The Gemini **MPX-3** CD Player is a dual voltage unit operating at **115** or **230** volts. Be sure to set the proper voltage:

1. Place the head of a screwdriver in the center of the **VOLTAGE SELECTOR (1)** switch found on the rear panel.
2. Slide the switch to **115** or **230** volts.
3. Do not force or twist the switch. Excessive force may cause damage. If the switch does not move smoothly, contact a qualified technician.

CONNECTIONS:

1. Using the included cable, plug one end into the **REMOTE CONTROL (3)** jack and the other end in the **MAIN UNIT (REMOTE CONTROL) (3)** jack.
2. Plug one end of a set of **RCA** connectors into the two **LINE OUTPUT JACKS (4)** on the back of your CD unit.
3. Plug the other end of the **RCA** connectors into any of the available line level input jacks on your mixer. If you are playing the **MPX-3** through a receiver, you can plug the **RCA** connectors into the CD or **AUX INPUT JACKS** located on the receiver. If there are no **CD** or **AUX INPUTS**, use any line level (**not phono**) input.
4. The **DIGITAL OUTPUT- BNC (5)** jacks are for connecting to any type of **DAT, MD, HARD DRIVE**, or any other type of device that accept digital signals.

FUNCTIONS:

POWER: After making sure the **VOLTAGE SELECTOR (1)** switch is properly set, plug the unit in and press the **POWER (6)** button. The unit will turn on. Pushing **POWER (6)** a second time turns the unit off.

DISC TRAY: The **DISC TRAY (7)** is where the CD is held during loading, unloading and playback. Pressing **OPEN/CLOSE (8)** opens or closes the tray. The **DISC TRAY (7)** holds both **12 cm** and **8 cm** CDs and automatically closes after remaining open for three minutes. Do not force the **DISC TRAY (7)**, excessive force may damage the CD-mechanism.

NOTE: THE **DISC TRAY (7)** WILL NOT OPEN WHEN THE **MPX-3** IS IN THE **PLAY MODE**.

OPEN/CLOSE: Press **OPEN/CLOSE (8)** to load or remove a CD from the **DISC TRAY (7)**.


DISPLAY: The **DISPLAY (9)** shows: **MP3 DISC TEXT, TOTAL TRACKS, TRACK NUMBER, PITCH VALUE, SINGLE-AUTO CUE, CONTINUE (continuous play)**, and three different time displays: **ELAPSED, REMAIN, & TOTAL REMAIN** on a disc. Time is measured in **MINUTES, SECONDS & FRAMES**.

NOTE: FOR **MP3 DISCS** THE **DISPLAY** WILL ONLY SHOW THE **ELAPSED AND REMAIN TIME & WILL ONLY READ MP3 DISC TEXT**.

PLAYBACK DISPLAY BAR: The **PLAYBACK DISPLAY BAR (10)** displays the remaining play time and time elapsed for each track. The display flashes slowly when the track has **15** seconds remaining and pulses rapidly when play time is down to **5** seconds.


PLAY/PAUSE : Each press of **PLAY/PAUSE (11)** causes the operation to change from **PLAY** to **PAUSE** or **PAUSE** to **PLAY**.

CUE/PREVIEW: With the unit in the **PLAY** mode and after the **CUE POINT** has been programmed, pressing **CUE/PREVIEW (12)** will cause the CD player to enter the **PAUSE** mode at the programmed **CUE POINT**. Holding down the **CUE/PREVIEW (12)** button changes the function to **PREVIEW** and starts the CD from the programmed **CUE POINT**. Releasing the **CUE/PREVIEW (12)** button will return the CD laser to the preset **CUE POINT**.

SEARCH (FOLDER/FILE) : The **SEARCH (13)** buttons are used to move forward or reverse while in **PLAY** or **PAUSE** mode. In **MP3 MODE** use the **SEARCH (13)** buttons to view which **FOLDER/FILE (13)** is being read. Press **FOLDER** to view a **FOLDER**, then press **FILE** to view the **FILE** from the selected **FOLDER**. If the **JOG WHEEL (22)** is in **TRACK MODE** the **FOLDER/FILE (13)** buttons will correspond with which **FOLDER** or **FILE** is being viewed, the **TRACK SEARCH (14)** buttons also function like the **JOG WHEEL (22)**. See the **CUE INSTRUCTIONS** section for more information.

TRACK SEARCH : The **TRACK SEARCH (14)** buttons let you select a track to play.

TIME: The **TIME (15)** button switches the time display between the three available choices listed under **DISPLAY (9)**.

STOP : The **STOP (16)** button ends CD play.

SINGLE AUTO CUE/CONTINUE: Pressing **SINGLE AUTO CUE/CONTINUE (17)** activates the **AUTO CUE** function. The **AUTO CUE** causes the CD to pause at the recorded beginning of the next track and allows you to start play into the next song with no space in between songs. Pressing **SINGLE AUTO CUE/CONTINUE (17)** a second time will activate the **CONTINUOUS** function. This causes the CD to repeat play continuously until **SINGLE AUTO CUE/CONTINUE (17)** is pressed a third time to deactivate the **CONTINUOUS** function. Player will play from the beginning to the end of a CD and stop, in **NORMAL** mode.

FLY CUE: The **FLY CUE (18)** function lets you set cues "on the fly" with the press of a button. Press **FLY CUE (18)** when the disc reaches the musical location you wish to make your cue or start point. The **CUE POINT** is now programmed. Press **CUE/PREVIEW (12)** to return to the **CUE POINT**. Press **PLAY/PAUSE (11)** and the unit starts from the pre-programmed spot.

B/EXIT: After a **CUE POINT** is memorized, pressing the **B/EXIT (19)** button in **PLAY** mode, repeats the section between the **CUE POINT** and the point where the **B/EXIT (19)** button was pressed. Press the **B/EXIT (19)** button again or pause play to exit the repeating play.

B-EDIT: After a **LOOP** has been memorized you can change the length of the **LOOP** by pressing **B-EDIT (20)** then use the **JOG WHEEL (22)** to adjust the length. To exit **EDIT** mode press **B-EDIT (20)** again.

RETURN: The **RETURN (21)** button has two functions. To return to a previously saved **LOOP** from normal play, press the **RETURN (21)** button after saving the **LOOP**. To return to and instantly play from a previously saved **CUE POINT**, press the **RETURN (21)** button after setting the **CUE POINT** (if you do not have a **LOOP** saved).

JOG WHEEL: The **JOG WHEEL (22)** has two modes: **MUSIC** and **TRACK** modes. Press **JOG MODE (23)** to change between modes. In **MUSIC** mode you can use the **INNER WHEEL** to make fine adjustments in **PAUSE** mode for **CUEING** and to bend the pitch for precise synchronization in **PLAY** mode. Use the **OUTER WHEEL** for rapid searching just like the **SEARCH (13)** buttons. In **TRACK** mode the **INNER WHEEL** will skip a few tracks as you turn the wheel, and the **OUTER WHEEL** will jump through many tracks when turned.

PITCH: Pushing the **PITCH (25)** button activates the **PITCH** section of the unit. The pitch of the CD will change according to the position of the **PITCH CONTROL SLIDE (27)**.

PITCH BEND : Pushing the **PITCH BEND (26)** buttons will automatically raise the pitch up to **+4%** or lower the pitch down to **-4%** from the existing setting. Releasing the buttons returns pitch to the original setting. Use this function to match the pitch bend when mixing from one song to another.

VPS (VARIABLE PITCH SELECTOR) 4%, 8% and 16%: Use the **VPS (28)** buttons to assign the percent the **PITCH CONTROL SLIDE (27)** will have. The **4%** button will assign **+/- 4%** to the **PITCH CONTROL SLIDE (27)**. The **8%** button will assign **+/- 8%** to the **PITCH CONTROL SLIDE (27)**. The **16%** button will assign **+/- 16%** to the **PITCH CONTROL SLIDE (27)**. The **PITCH (25)** button must be **ON** for the **VPS (28)** to work.

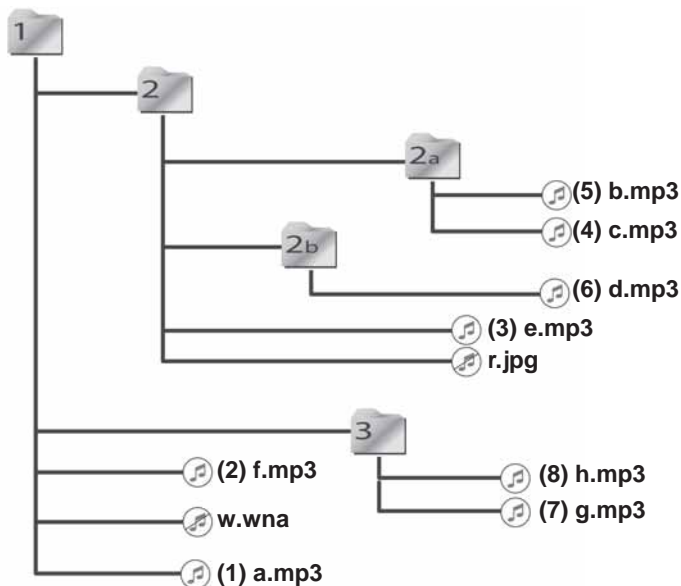
OPERATING INSTRUCTIONS:

1. Make sure that the **VOLTAGE SELECTOR SWITCH (1)**, found on the rear panel, is set for the proper voltage. Plug the unit in and press the **POWER (6)** switch. The unit is **ON**. Pushing **POWER (6)** a second time turns the unit **OFF**.
2. Press **OPEN/CLOSE (8)** and place a CD in the **DISC TRAY (7)**. Press **OPEN/CLOSE (8)** again. The tray will close.
3. Push **TRACK SEARCH (14)** to select the track you wish to play.
4. Press **PLAY/PAUSE (11)** and the unit will instantly play.

ORDER OF READING FOR MP3 FILES:

All **MP3** files must have the extension *.mp3. If there are no files with *.mp3 extensions or **MPX-3** cannot read the file system correctly the CD player will indicate **NO DISK** and the **MP3** segment in the right corner of **LCD** display will blink. If a file has no *.mp3 extension, it will be skipped, during the file system reading. (See **w.wna** and **r.jpg** files in the diagram). **UDF** format is not supported. For **MP3** files with adaptive bit-rates, the **ELAPSED** and **REMAIN** time indication may be inaccurate. The **MPX-3** will only play the first session of tracks on a CD that has been recorded in a **MULTISESSION** or **MIXED** mode.

FILE/FOLDER SAMPLE DIAGRAM:



Order of reading for **MP3** files: **a.mp3, f.mp3, e.mp3, c.mp3, b.mp3, d.mp3, g.mp3, h.mp3.**

FLY CUE & CUE INSTRUCTIONS:

The **FLY CUE (18)** function lets you set **CUES** "on the fly" with the press of a button. Press **FLY CUE (18)** when the disc reaches the musical location you wish to make your **CUE** or **START POINT**. The **CUE POINT** is now programmed. Press **CUE/PREVIEW (12)** to return to the **CUE POINT**. Press **PLAY/PAUSE (11)** and the unit will instantly start from this pre-programmed spot.

AND/OR:

1. To pre-program a **CUE POINT** (the spot on a CD at which you want play to start) select the proper track and push **PLAY/PAUSE (11)** so the unit enters the **PLAY** mode. When the CD reaches the approximate musical spot you wish to make your **CUE**, push **PLAY/PAUSE (11)** so the unit enters the **PAUSE** mode (**PLAY/PAUSE LED** blinks). Move the **JOG WHEEL (22)** or **SEARCH (13)** buttons, forward or in reverse until the precise spot at which you want CD play to begin is located. For **MP3** disks use the **INNER WHEEL** to find the precise spot. (You will not hear the music when moving **OUTER WHEEL**). Push **PLAY/PAUSE (11)**. The **CUE POINT** is now programmed. Press **CUE/PREVIEW (12)** to return to this preprogrammed **CUE POINT** at any time. Push **PLAY/PAUSE (11)** and the unit will instantly play from the pre-selected spot.
- NOTE: IN MP3 MODE THE SEARCH (13) BUTTONS FUNCTION AS FILE/FOLDER MODE, USE THE JOG WHEEL FOR PRECISE CUEING**
2. To fine-tune your pre-programmed **CUE POINT**, push **PLAY/PAUSE (11)** so the unit enters the **PLAY** mode. Push the **CUE/PREVIEW (12)** button and the CD will return to the **CUE POINT** you programmed in step #1 and begin play from that point. If you decide this **CUE** or **STARTING POINT** is okay, leave the unit alone until you are ready to play.
 3. If, however, the selected spot is not exactly where you want it, push the **CUE/PREVIEW (12)** button while the CD is playing and the disc will return to the pre-programmed **CUE POINT**. Locate the exact spot on the CD at which you want play to start by turning the **JOG WHEEL (22)** or using the **SEARCH (13)** buttons. Push **PLAY/PAUSE (11)** to preprogram this new **CUE POINT**. Press the **CUE/PREVIEW (12)** button to pause play at the new **CUE POINT**. Push **PLAY/PAUSE (11)** at any time and the unit will play from the pre-selected spot.

ROBO START INSTRUCTIONS:

IN SINGLE-AUTO CUE MODE:

Use **ROBO START (29)** in **SINGLE AUTO CUE** mode to alternate play between the **MPX-3s** two sides (one track from one side, then one from the other). In **SINGLE AUTO CUE** mode play starts immediately with no blank or "dead" space. **ROBO START (29)** causes one side of the CD player to play when the other side is paused.

1. Engage **SINGLE AUTO CUE** mode with the **SINGLE AUTO CUE/CONTINUOUS (17)** button.
2. Press the **ROBO START (29)** button to activate **ROBO START (29)**. Play will alternate between the two CD players. At the end of a track, the playing side pauses and the other CD deck plays a track. At the end of this track, the playing side pauses and the first CD deck resumes play.

IN CONTINUOUS MODE OR DURING NORMAL PLAY:

If you use the **ROBO START (29)** function without **SINGLE AUTO CUE MODE** (in **CONTINUOUS MODE** or during normal play), CD deck play does not alternate automatically. The **PLAY/PAUSE (11)** button must be pressed on the playing deck for the second deck to play.

1. During normal play, set a cue point on the second CD deck.
2. Press the **ROBO START (29)** button to activate **ROBO START**.
3. Press **PLAY/PAUSE (11)** button on the playing side to start play from the cue point on the other CD deck.

NOTE: PAUSING PLAY IN THE MIDDLE OF A TRACK CAUSES THE OTHER CD DECK TO PLAY. WHEN THE NEW TRACK ENDS, PLAY RESUMES ON THE FIRST CD PLAYER FROM THE POINT AT WHICH, IT WAS PAUSED.

TROUBLESHOOTING:

- If a disk will not play, check to see that it was loaded correctly (label side up) and that the CD unit is on a flat, level, stable surface. Check disc for dirt, scratches, spills, etc.
- If the disc spins but there is no sound, check the cable connections. If they are okay, check your amplifier or receiver.
- If the CD skips, check it for dirt, oil or scratches. Do not assume that the CD player or laser is defective. Many CDs are recorded "out of spec" and skip on most or all CD players. Before sending the unit to an authorized Gemini service technician, insert a disc that plays properly in another unit.

NOTE: DEPENDING ON THE CONDITIONS OF THE RECORDING EQUIPMENT OR THE CD-R/RW DISC ITSELF, SOME CD-R/RW DISCS CANNOT BE PLAYED.

In the U.S.A., if you have any problems with this unit, call 1-732-738-9003 for customer service. Do not return equipment to your dealer!

SPECIFICATIONS:

GENERAL:

Type.....	Dual Mechanism Compact Disc / MP3 Player with Wired Remote
Disc Type.....	Standard Compact Discs, MP3 CD Text, CD-R, CD-RW (12 cm & 8 cm)
Time Display.....	Track Elapsed, Track Remain, or Total remain
Instant Start.....	Within 0.015 seconds
Track Selection.....	1 to 999 Tracks
Installation.....	(3U Remote Control / 2U Main Unit) 19"/482mm each
Dimensions:	
Remote Control.....	W 19" x H 5.1" x D 2.4" (482mm x 131mm x 61mm)
Main Unit.....	W 19" x H 3.5" x D 10" (482mm x 88mm x 254mm)
Weight Per Unit:	
Remote Control.....	3.5 lbs (1.5 kg)
Main Unit.....	9.5 lbs. (4.3 kg)

AUDIO SECTION:

Bit Rate.....	32-320 kbps
Quantization.....	16 Bit Linear/Channel, 3 Beam Laser
Oversampling Rate.....	8 Times
Sampling Frequency.....	44.1 kHz
Frequency Response.....	20 Hz to 20 kHz
Total Harmonic Distortion.....	Less Than 0.05%
Signal to Noise Ratio.....	100 dB
Dynamic Range.....	96 dB
Channel Separation.....	90 dB (1 kHz)
Output Level.....	1.9 Volts R.M.S.
Power Supply.....	AC 115/230V, 60/50 Hz

NOTE: SPECIFICATIONS AND DESIGN ARE SUBJECT TO CHANGE WITHOUT NOTICE FOR PURPOSE OF IMPROVEMENT.



SCHNELLER ANFANGSCFÜHRER:

- ① **VOLTAGE SELECTOR SWITCH - SPANNUNGSWAHLSCHALTER:** Um die vorschriftsmäßige Spannung einzustellen, stellen Sie den **SPANNUNGSWAHLSCHALTER (1)** auf **115** oder **230** Volt ein.
- ② **POWER JACK (AC IN) - NETZBUCHSE:** Für die Stromverbindung schließen Sie den Netzstecker am **POWER JACK (2)** an.
- ③ **REMOTE CONTROL - FERNSTEUERUNG:** Benutzen Sie die enthaltene **KABEL & REMOTE CONTROL (3)**, um das **REMOTE CONTROL** an das **MAIN UNIT** anzuschließen.
- ④ **LINE OUTPUT JACKS - LEITUNGSAusgangsbuchsen:** **LINE OUTPUT JACKS (4)** dienen dazu, einen Stereoklang über RCA-Kabeln an Ihr Mischpult oder Ihren Empfänger zu senden.
HINWEIS: FÜR OPTIMALEN KLANG IST DARAUF ZU ACHTEN, DASS DAS KABEL FEST ANGESCHLOSSEN IST.
- ⑤ **DIGITAL OUTPUT JACK (BNC) - DIGITALE AUSGANGSBUCHSE:** Benutzen Sie den **BNC (5)**, um jede Art von Gerät anzuschließen, das digital Signale aufnimmt.
- ⑥ **POWER - NETZ:** Drücken Sie die **POWER (6)** -Taste, um den CD-Spieler einzuschalten.
HINWEIS: DARAUF ACHTEN, DASS DER SELECTOR SWITCH (1) VOR GEBRAUCH EINGESTELLT IST.
- ⑦ **DISC TRAY - PLATTENSCHUBFACH:** Während dem Laden, Entladen und Playback wird die CD im **DISC TRAY (7)** gehalten, Das **DISC TRAY (7)** kann CDs von **12 cm** und **8 cm** aufnehmen.
- ⑧ **OPEN/CLOSE - ÖFFNEN/SCHLIEßEN:** Wenn Sie die **OPEN/CLOSE**-Taste (**8**) drücken, wird sich das **DISC TRAY (7)** öffnen oder schließen.
- ⑨ **DISPLAY - AUSLAGE:** Das **DISPLAY (9)** zeigt die unterschiedlichen Funktionen für den CD-Spieler an. Für weitere Einzelheiten, siehe **FUNCTION DESCRIPTIONS**.
- ⑩ **PLAYBACK DISPLAY BAR - WIEDERGABE-ANZEIGELEISTE:** Die **PLAYBACK DISPLAY BAR (10)** zeigt **TIME ELAPSED** und **TIME REMAINING** an.
- ⑪ **PLAY/PAUSE - SPIEL/PAUSE:** Drücken Sie die **PLAY/PAUSE (11)**-Taste, um den **PLAY**- oder **PAUSE**-Modus zu aktivieren. Für weitere Einzelheiten, siehe Anweisungen für **CUE** oder **ROBO**.
- ⑫ **CUE/PREVIEW - MERKSTELLE/VORSCHAU:** Auf die **CUE/PREVIEW (12)**-Taste klopfen, um zu einem voreingestellten **CUE** zurückzukehren, oder die Taste drücken und halten, um ein **PREVIEW** von einem **CUE** zu erlangen, siehe **CUE INSTRUCTIONS**.
- ⑬ **SEARCH (FOLDER/FILE) - SUCHE (HEFT/AKTE):** Benutzen Sie das **SEARCH (13)** Tasten, um auf einem **TRACK** in Vorwärts- und Rückwärtsrichtung zu tasten. Im Gebrauch des Modus **MP3** die **HEFT**-Taste, anzusehen welches Heft gelesen wird und die **AKTE** Taste zu benutzen, um die Akte anzusehen.
- ⑭ **TRACK SEARCH - SPUR ÜBERSPRINGEN:** Drücken Sie die **TRACK SEARCH (14)**-Tasten, um auszuwählen, welche Spuren gespielt werden sollen.
- ⑮ **TIME – ZEIT:** Leicht auf die **TIME (15)**-Taste klopfen, um die bevorzugte **ZEIT** in drei Betriebsweisen zu schalten: **ELAPSED**, **REMAIN**, **TOTAL REMAIN**.
- ⑯ **STOP - STOP:** Betätigen **STOP (16)** Sie sich einmal, um das CD zu stoppen.
- ⑰ **SINGLE AUTO CUE/CONTINUOUS:** Auf die **SINGLE AUTO CUE/CONTINUOUS (17)**-Taste klopfen, um die Betriebsweisen **SINGLE AUTO CUE**, **CONTINUOUS** und **NORMAL** zu erhalten.
- ⑱ **FLY CUE - SCHNELLMERKSTELLE:** **FLY CUE1 (18)** stellt das **CUE POINT** schnell ein.
- ⑲ **B/EXIT - B/AUSANG:** Betätigen Sie **B/EXIT (19)** im Modus des **PLAY**, nachdem ein **CUE POINT** gemerkt wird, um eine **SCHLEIFE** zu beginnen, sich betätigen wieder, um **SCHLEIFE** herauszunehmen.
- ⑳ **B-EDIT - B/AUFBEREITEN:** Betätigen Sie **B-EDIT (20)** und benutzen Sie das **JOG WHEEL (22)**, um eine vorhandene **SCHLEIFE**, Presse wieder zu redigieren, um herauszunehmen **EDIT** Modus.
- ㉑ **RETURN - ZURÜCK:** Um die Platte von einem gespeicherten **CUE POINT** oder einem **LOOP** abzuspielen, drücken Sie die **RETURN (21)**- Taste, um das **LOOP** oder das **CUE** neu abzuspielen.
- ㉒ **JOG WHEEL - SUCHRAD:** Das **JOG WHEEL (22)** hat verschiedene Funktionen: **PITCH BEND**, **CUEING** und **TRACK SEARCHING**.
- ㉓ **JOG MODE - SUCHMODUS:** Betätigen Sie sich, um den **JOG MODE (23)** des **JOG WHEEL (22)**, von **MUSIC** zu Modus **TRACK** zu ändern.
- ㉔ **JOG MODE LED - SUCHMODUS LED:** Die Anzeigen des **JOG MODE LED (24)**, die **JOG MODE (23)** ist im Gebrauch.
- ㉕ **PITCH - TONHÖHE:** Die **PITCH (25)** - Taste aktiviert das **PITCH CONTROL SLIDE (27)**.
- ㉖ **PITCH BEND - TONHÖHEN-NUANCE:** Das Drücken der **PITCH BEND (26)**-Tasten wird die Tonhöhe von der ursprünglichen Einstellung automatische bis **+4%** anheben oder bis auf **-4%** senken.
- ㉗ **PITCH CONTROL SLIDE - TONHÖHEREGELUNG:** Die Tonhöhe der CD wird je nach der Stellung der **PITCH CONTROL SLIDE (27)** geändert, (**-** oder **+**) **4%**, **8%**, & **16%**.
- ㉘ **VPS (VARIABLE PITCH SELECTOR - VERÄNDERLICHER TONHÖHEN-WAHLSCHALTER) 4%, 8% und 16%:** Der **VPS (28)** wird benutzt, um die Einstellungen der Tonhöhe um **4%**, **8%** und **16%** zu ändern.
- ㉙ **ROBO START - ROBOTIK ANFANG:** Das Verwenden von von **ROBO START (29)** ermöglicht Ihnen, Spiel zwischen zwei CDs mit beiden Seiten zu wechseln.

EINLEITUNG:

Wir gratulieren Ihnen zum Kauf eines **Gemini MPX-3** CD Player. Dieser moderne CD-Spieler enthält dreijährige Garantie, ausschließlicher Laser. Einjährige Garantie für CD Laser. Vor Anwendung des Geräts lesen Sie bitte alle Anweisungen sorgfältig durch. Ihr **Gemini MPX-3** CD-Spieler ist mit einem **ADCS (Automatic Disc Calibration System)** ausgerüstete. Dies ist ein modernes automatisches CD-Kalibriersystem. CDs werden von einer Vielzahl von Herstellern gefertigt und von viele unterschiedlichen professionellen Unternehmen sowie von Do-it-yourselfern zu Hause aufgenommen. Daher spielen alle CDs nicht in der gleichen Weise. Das **ADCS** justiert den Laser automatisch im **MPX-3** CD-Spieler für jede individuelle CD, die in die Schale gelegt wird, um Ihnen die bestmögliche Leistung für jede CD zu geben, ungeachtet dessen, wie sie hergestellt oder aufgenommen wurde. Dieses exklusive System wird Ihnen immer eine konsistente und zuverlässige Leistung und außergewöhnliche Tonqualität bieten, jedesmal wenn Sie eine CD spielen und ganz gleich was für eine CD Sie spielen.

FUNKTIONEN:

- **Kann Spielen:** MP3/AUDIO CDS, CDR, CDRW
- **Rahmen-Genau & Extrem Schnelle Schiene Musik-Suche**
- **Merkstelle & Schnellmerkstelle Mit Zurück**
- **Schleife mit dem Realzeitredigieren**
- **Anti-Schlag-Puffer-Gedächtnis**
- **Suchbetriebsartenwahlschalter**
- **4%, 8%, 16% - Tonhöheregelung**
- **Robotik Anfang**
- **Scheibe MP3 Text**
- **Hohe Sicht Blaue LCD Anzeige**
- **Innere/Außen Suchrad**
- **Tonhöhen-Nuance**
- **Augenblick Anfang**

VORSICHTSMASSNAHMEN:

Dieser CD-Spieler darf nicht in einer Umgebung gebraucht werden, in der die Temperatur **5°C** unterschreitet oder **35°C** überschreitet. Das Gerät vor Tropfen und Spritzern schützen, und es dürfen keine mit Flüssigkeit gefüllte Behälter wie Vasen darauf gestellt werden. Das Gerät an einer sauberen, trockenen Stelle aufstellen. Das Gerät nicht so aufstellen, daß es nicht ausreichend abgestützt ist. Wenn das Netzkabel aus einer Steckdose gezogen wird, immer am Stecker ziehen, nicht am Kabel selbst. Um das Risiko elektrischen Schocks zu vermeiden, weder das Gehäuse noch die unteren Schrauben entfernen. Es befinden sich keine vom Anwender zu wartenden Teile im Gehäuse. Die Wartung ist von einem qualifizierten Techniker vorzunehmen. Das Gerät nicht mit chemischen Lösungsmitteln reinigen. Den Laser-Tonabnehmer sauber halten, indem der CD-Deckel immer geschlossen bleibt. Dieses Handbuch als Nachschlagewerk gut aufbewahren.

SICHERHEITSBESCHEINIGUNG:

Eigenschaften der Laserdiode
Material: Ga - Al - As
Wellenlänge: 755-815 nm (25° C)
Laserabgabe: kontinuierliche Welle, max. 0.5 mW

WAHL DER NETZSPANNUNG:

Das Modell **MPX-3** series ist eine Doppelspannungseinheit, die bei **115** oder **220** Volt in Gebrauch genommen werden kann. Um die richtige Spannung einzustellen, sind folgende Schritte zu befolgen:

1. Einen Schraubenzieherkopf in die Mitte des Spannungswahl-Schiebeschalters **VOLTAGE SELECTOR (1)** auf der hinteren Schalttafel einstecken.
2. Den Schalter nach auf **115 V** oder **230 V** zu schalten.
3. Den Schalter nicht mit übermäßiger Kraft schieben oder drehen. Falls der Schalter sich nicht bewegen läßt, wenden Sie sich an einen qualifizierten Techniker.

ANSCHLUSSVERBINDUNGEN:

1. Benutzen Sie die beigefügten Kabel und stecken ein Ende in den **REMOTE CONTROL (3)** und das andere Ende in den **MAIN UNIT-REMOTE CONTROL (3)**. Den gleichen Vorgang bei Seite 1 durchführen.
2. Das eine Ende eines Satze RCA-Stecker an jeder der **LINE OUTPUT (4)** Buchsen anschließen.
3. Das andere Ende der RCA-Stecker an einer freien Leitungspegel- Eingangsbuchse des Mischpultes anschließen. Wenn Sie den **MPX-3** durch einen Empfänger spielen, können Sie die RCA-Anschlüsse an den CD-bzw. AUX-Eingangsbuchsen des Empfängers anschließen. Wenn keine CD-bzw. AUX-Eingänge zur Verfügung stehen, können Sie einen beliebigen Leitungspegelzugang (kein Phono) benutzen.
4. Die Steckfassungen des **DIGITAL OUTPUT- BNC (5)** sind für das Anschließen an irgendeine Art **DAT, MD, FESTPLATTENLAUFWERK** oder irgendeine andere Art Vorrichtung, die digitale Signale annehmen.

FUNKTIONSBESCHREIBUNG:

POWER: Nachdem sichergestellt wurde, daß der Schieberschalter **VOLTAGE SELECTOR (1)** auf der hinteren Schalttafel richtig eingestellt ist, das Gerät einstecken und den Netzschalter **POWER (6)** einschalten. Damit wird das Gerät eingeschaltet. Wenn der Schalter **POWER (6)** ein zweites Mal gedrückt wird, wird es ausgeschaltet.

DISC TRAY: Beim Laden, Entladen und Abspielen befindet sich die CD im **DISC TRAY (7)**. Wenn die Taste **OPEN/CLOSE (8)** (Öffnen/Schließen) des CD-Fachs gedrückt wird, wird das Fach geöffnet bzw. geschlossen. CDs mit einer Größe von **12** cm und **8** cm passen in das **DISC TRAY (7)**. Zwingen Sie nicht den **SCHLEIFE** Behälter, übermäßige Kraft kann das CD-mechanism beschädigen.


ZU BEACHTEN: WENN SICH DER MPX-3 IM ABSPIELMODUS BEFINDET, ÖFFNET SICH DAS FACH NICHT.

OPEN/CLOSE: Die Taste **OPEN/CLOSE (8)** (Öffnen/Schließen) drücken, um eine CD in das CD-Fach einzulegen bzw. aus dem CD-Fach zu entfernen.

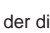
DISPLAY: Das **DISPLAY (9)** zeigt die Spurnummer, Scheibe MP3 Text, den Abspielmodus, den Tonwert, den Single-Auto Cue Modus, Continue (für ununterbrochenes Spielen) sowie **3** verschiedene Zeitanzeigen. Die Zeitanzeigen sind abgelaufene Zeit der Spur, auf der CD verbleibende Zeit und auf der Spur verbleibende Zeit.

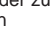
ANMERKUNG: FÜR SCHEIBEN MP3, WELCHE DIE ANZEIGE NUR ZEIGT, ELAPSED UND REMAIN ZEIT.

PLAYBACK DISPLAY BAR: Durch Drücken der Taste **PLAYBACK DISPLAY BAR (10)** wird die restliche Spielzeit angezeigt und blinkt langsam, wenn **15** Sekunden bis zum Ende der Spur verbleiben. Die Taste **PLAYBACK DISPLAY BAR (10)** blinkt schnell, wenn **5** Sekunden bis zum Ende der Spur verbleiben.


PLAY/PAUSE : Jedesmal, wenn die Taste **PLAY/PAUSE (11)** gedrückt wird, schaltet das Gerät von Spielen auf Pause bzw. von Pause wieder auf Spielen.

CUE/PREVIEW: Wenn der CD-Spieler sich im Modus **PLAY** befindet und nachdem die Merkstelle gespeichert worden ist, verursacht ein Druck auf die Taste **CUE/PREVIEW (12)**, daß der CD-Spieler in den Modus **PAUSE** an der gespeicherten Merkstelle eintritt. Wenn Sie die **CUE/PREVIEW (12)**-Taste niederdrücken, wird die Mithörfunktion auf **PREVIEW** zurückgesetzt (ermöglicht Ihnen, die Musik zu dem Tempo abzu hören, das Sie durch Drücken der **CUE**-Taste eingestellt haben). Das Auslösen der **CUE /PREVIEW (12)**-Taste führt Sie zur voreingestellten Mithörstelle zurück.

SEARCH (FOLDER/FILE) : Die **SEARCH (13)**-Tasten werden benutzt, um beim Abspielen oder im Pause-Modus vor-oder zurückzuspielen. Im Gebrauch des **MODUS MP3** knöpft die **SEARCH (13)**, um anzusehen, die **FOLDER/FILE (13)** gelesen wird. Betätigen Sie **HEFT**, um ein Heft anzusehen, dann betätigen Sie **AKTE**, um die Akte vom vorgewählten Heft anzusehen. Wenn das **JOG WHEEL (22)** im **TRACK MODUS** ist, entsprechen die **FOLDER/FILE (13)** Tasten mit welchem **HEFT** oder **AKTE** angesehen wird, die **TRACK SEARCH (14)** Tasten auch fuction wie das **JOG WHEEL (22)**. Weitere Informationen finden unter **MERKANWEISUNGEN**.

TRACK SEARCH : Die **TRACK SEARCH (14)**-Tasten ermöglichen die Auswahl der Spur, die gespielt werden soll.

TIME (ZEIT): Die Taste **TIME (15)** schaltet die Zeitanzeige auf eine der verschiedenen Zeitanzeigen, die unter **DISPLAY** aufgeführt sind.

STOP : Die Taste **STOP (16)** beendet das Abspielen der CD.

SINGLE AUTO CUE/CONTINUOUS: Durch Drücken der **SINGLE AUTO CUE/CONTINUOUS (17)** Taste aktiviert die **AUTO CUE** Funktion. Die Funktion stoppt das Gerät beim Start der Musik des darauffolgenden Titels und ermöglicht das Abspielen sofort beim Start der Musik ohne jeglichen leer Zwischenraum (der zu Beginn eines jeden Titels besteht). Durch Drücken der **SINGLE AUTO CUE/CONTINUOUS (17)** Taste ein zweites Mal aktiviert die **CONTINUOUS** Funktion. Diese Funktion lässt das Gerät fortwährend spielen (nach der letzten Spur kehrt das Gerät zurück nach der ersten Spur der Platte und wird das Spielen fortgesetzt). Durch Drücken der **SINGLE AUTO CUE/CONTINUOUS (17)** Taste ein drittes Mal deaktiviert die **CONTINUOUS** Funktion.

FLY CUE: Die Funktion **FLY CUE (18)** ermöglicht Ihnen, eine Merkstelle mit dem Druck einer Taste schnell einzustellen. Wenn der CD-Spieler im Spielmodus ist, drücken Sie die Taste **FLY CUE (18)** an der Stelle, wo die Merkstelle sein soll (der CD Spieler spielt weiter). Nun ist die Merkstelle gespeichert. Die Taste **CUE/PREVIEW (12)** drücken, um zur gespeicherten Merkstelle zurückzukehren. Die Taste **PLAY/PAUSE (11)** drücken, und der CD-Spieler wird sofort von der ausgewählten Stelle spielen.

B/EXIT: Nachdem eine Merkstelle gespeichert wurde und wenn die **B/EXIT**-Taste (**19**) im Spiel-Modus gedrückt wird, wird der Abschnitt zwischen der Merkstelle und der Stelle, an der die **B/EXIT**-Taste (**19**) gedrückt wurde, wiederholt. Die **B/EXIT**-Taste (**19**) noch einmal drücken oder das Abspielen momentan stoppen, um wiederholte Abspielen zu beenden.

B-EDIT: Nachdem eine **SCHLEIFE** gemerkt worden ist, können Sie die Länge der **SCHLEIFE**, indem Sie sich betätigen, ändern **B-EDIT (20)** dann Gebrauch das **JOG-WHEEL (22)**, die Länge zu justieren. Um herauszunehmen redigieren Sie Moduspresse **B-EDIT (20)** wieder.

RETURN: Die Taste **RETURN (21)** hat zwei Funktionen. Um zum Anfang der zuvor gesicherten **SCHLEIFE** des normalen Abspielens zurückzukehren, drücken Sie die Taste **RETURN (21)**, nachdem Sie die **SCHLEIFE** gesichert haben). Um zu einer zuvor gesicherten **MERKSTELLE** zurückzukehren und von dieser momentan an zu spielen, drücken Sie die Taste **RETURN (21)**, nachdem Sie die **MERKSTELLEN** eingestellt haben (falls Sie keine **SCHLEIFE** gesichert haben).

JOG WHEEL: Das **JOG WHEEL (22)** hat zwei Modi: **MUSIK**- und **SCHIENEN**-Modi. Betätigen Sie **JOG MODE (23)**, um zwischen Modi zu ändern. In dem MusikModus Sie können benutzen das **d INNER RAD** zu einstellen fine Feineinstellung in dem **PAUSE** Modus für das **GEBEN** und zu verbiegen d Taktabstand für exakt Synchronisierung in **SPIEL** Modus. Benutzen Sie das **ÄUSSERE RAD** für das schnelles Suchen gerade wie die Tasten der **SEARCH (13)**. Im **SCHIENE** Modus überspringt das **INNERE RAD** einige Schienen, wie Sie das Rad drehen, und das **ÄUSSERE RAD** springt durch viele Schienen, wenn es gedreht wird.

PITCH: Wenn die **PITCH (25)**-Taste gedrückt wird, wird der Tonhöhentheil des Geräts aktiviert. Die Tonhöhe der CD wird je nach der Stellung der Schieberegulung geändert **PITCH SLIDE (27)**.

PITCH BEND \pm : Wenn die Tasten **PITCH BEND (26)** gedrückt werden, wird die Geschwindigkeit automatisch **+4%** angehoben oder um **-4%** gesenkt, gegenüber der Originealeinstellung. Wenn die Tasten freigegeben werden, kehrt die Geschwindigkeit zu ihrer Originealeinstellung zurück. Sie können diese Funktion benutzen, um die Taktsynchronität beim Mischen von einem Song zum anderen anzupassen.

VPS (VARIABLE PITCH SELECTOR) 4%, 12%, & 24%: Mit den **VPS (28)**-Tasten können Sie die prozentuale Tonhöhenverschiebung bewirken. Die **4%**-Taste bewirkt eine Tonhöhenverschiebung von **+/-4%**. Die **12%**-Taste bewirkt eine Tonhöhenverschiebung von **+/-12%**. Die **24%**-Taste bewirkt eine Tonhöhenverschiebung von **+/-24%**. Damit die **VPS (28)**-Tasten funktionieren können, muß **PITCH (25)** auf **ON** geschaltet sein.

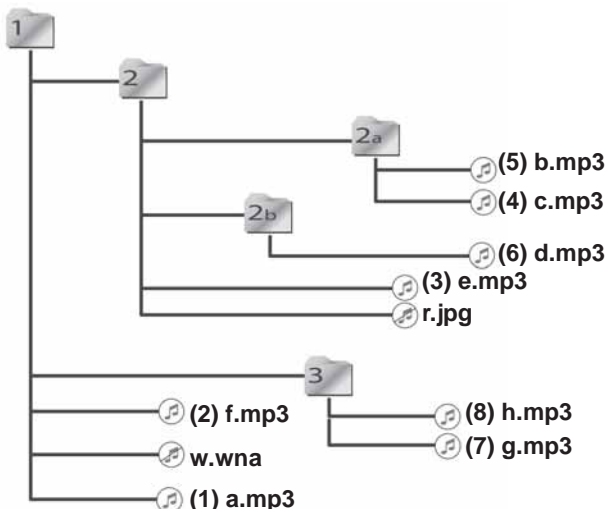
BEDIENUNGSANLEITUNGEN:

1. Sicherstellen, daß der Schieberschalter **VOLTAGE SELECTOR (1)** auf der hinteren Schalttafel auf die richtige Spannung eingestellt ist. Das Gerät einstecken und den Netzschalter **POWER (6)** einschalten. Damit wird das Gerät eingeschaltet. Wenn der Schalter **POWER (6)** ein zweites Mal gedrückt wird, wird es ausgeschaltet.
2. Die Taste **OPEN/CLOSE (8)** drücken, eine CD in das **DISC TRAY (7)** legen und die Taste **OPEN/CLOSE (8)** nochmals drücken. Das Fach bewegt sich zurück in die Einheit und schließt sich.
3. Die Tasten **TRACK SEARCH (14)** drücken, um die gewünschte Spur zu wählen.
4. Die Taste **PLAY/PAUSE (11)** drücken und das Gerät fängt sofort an zu spielen.

AUFTRAG DES ABLESENS FÜR AKTEN MP3:

Alle Akten **MP3** müssen die Verlängerung haben ***.mp3**. Wenn es keine Akten mit gibt ***.mp3** Verlängerungen oder **MP3000X** können nicht das Dateisystem lesen, richtig, das der **DIGITALSCHALLPLATTE** Spieler **NO DISC** anzeigt und das Segment **MP3** in der rechten Ecke der **LCD** Anzeige blinkt. Wenn eine Akte no ***.mp3** Verlängerung hat, wird sie, während des Dateisystemwertes übersprungen. (sehen Sie **w.wna** und **r.jpg** Akten im Diagramm). **UDF** Format wird nicht gestützt. Für **MP3** ordnet mit anpassungsfähiger Spitze-Rate ein, **ELAPSED** und **REMAIN** Zeitanzeige ist ungenau. Das **MPX-3** spielt nur den ersten Lernabschnitt der Schienen auf einem Cd, das im **MULTISESSION** und **MIXED** Modus notiert worden ist.

FILE/FOLDER BEISPIELC DIAGRAMM:



Auftrag des ablesens für akten **MP3**: **a.mp3, f.mp3, e.mp3, c.mp3, b.mp3, d.mp3, g.mp3, h.mp3.**

MERKANWEISUNGEN:

Zur Benutzung der Taste **FLY CUE (18)**, um eine Merkstelle einzustellen, sind folgende Anweisungen zu befolgen:

1. Wenn der CD-Spieler im Spielmodus ist drücken Sie die Taste **FLY CUE (14)** an der Stelle, wo die Merkstelle sein soll (der CD-Spieler spielt weiter). Nun ist die Merkstelle gespeichert. Die Taste **CUE/PREVIEW (12)** drücken, um zur gespeicherten Merkstelle zurückzukehren. Die Taste **PLAY/PAUSE (11)** drücken, und der CD-Spieler wird sofort ab der ausgewählten Stelle spielen.

UND/ODER:

1. Um die ungefähre Stelle zu speichern, an der das Abspielen einsetzen soll, ist die entsprechende Spur zu wählen, dann die Taste **PLAY/PAUSE (8)** drücken, damit der CD-Spieler in den Modus **PLAY** übergeht (Leuchtdiode **PLAY/PAUSE** leuchtet grün auf). Hören Sie sich die CD an, und sobald die CD ungefähr die gewünschte Stelle erreicht, drücken Sie die Taste **PLAY/PAUSE (8)**, damit die Einheit in den Modus **PAUSE** geht (Leuchtdiode **PLAY/PAUSE (8)** blinkt grün auf). Das **SEARCH JOG WHEEL (22)** oder **SEARCH (13)** tasten, in die exakte Position drehen, in der das Abspielen beginnen soll, und dann die Taste **PLAY/PAUSE (8)** drücken, um die Merkstelle zu speichern. Für **MP3** benutzen Scheiben das **INNERE RAD**, um den exakten Punkt zu finden. (Sie hören nicht die Musik, wenn Sie **AUSSERES RAD** verschieben). Das Drücken der Taste **CUE/PREVIEW (12)** führt Sie zur gespeicherten Merkstelle zurück. Die Taste **PLAY/PAUSE (8)** drücken, und die Einheit wird sofort von der gewählten Stelle an spielen.

ANMERKUNG: IM MODUS MP3, DEN DIE SEARCH (13) FUNKTION ALS FILE/FOLDER MODUS KNÖPF, BENUTZEN SIE DAS STÖBRAD FÜR DAS EXAKTE STICHWORTS GEBEN STICHWORTS GEBEN.

2. Um die Merkstelle genauer einzustellen, drücken Sie die Taste **PLAY/PAUSE (8)**, damit die Einheit in den Modus **PLAY** geht (Leuchtdiode **PLAY/PAUSE** leuchtet grün auf), und hören sich den Anfang genau an. Mit dem Druck der Taste **CUE/PREVIEW (12)** geht die Einheit wieder in den Modus **PAUSE** über (Leuchtdiode **PLAY/PAUSE** leuchtet grün auf), und die CD wird zur zuvor gespeicherten Merkstelle zurückgebracht.
3. Wenn diese Stelle in Ordnung ist, ist das Gerät in Ruhe zu lassen, bis Sie bereit sind, die Merkstelle abzuspielen. Der CD-Spieler fängt sofort an der Merkstelle mit dem Abspielen an. Wenn die gespeicherte Merkstelle nicht genau richtig liegt, drücken Sie einfach die Taste **CUE/PREVIEW**, während das Gerät im Modus **PLAY** ist. Das Gerät geht automatisch zur zuvor gespeicherten Merkstelle zurück und in den Modus **PAUSE** über. Lokalisieren Sie den **genauen Punkt** auf dem CD, an dem Sie Spiel beginnen wünschen, indem Sie das **JOG WHEEL (22)** drehen oder die Tasten der **SEARCH (13)** verwenden. Nachdem Sie die Stelle festgelegt haben, drücken Sie die Taste **PLAY/PAUSE (11)**, um die neue Merkstelle zu speichern. Die Taste **CUE/PREVIEW (12)** drücken, um das Abspielen an der neugespeicherten Merkstelle zu unterbrechen.

ANWEISUNGEN FÜR ROBO START: IM MODUS SINGLE AUTO-CUE:

ROBO START (29) im Modus **SINGLE AUTO CUE** benutzen, um das Abspielen zwischen den beiden Seiten des CD-Spielers zu alternieren (eine Spur von der einen Seite, dann eine Spur von der anderen Seite). Im Modus **SINGLE AUTO CUE** beginnt das Abspielen sofort vom Start der Musik ohne Leerstelle (der zu Beginn einer jeden Spur besteht) zu spielen. **ROBO START (29)** läßt eine Seite des CD-Spielers spielen, während die andere Seite im Pause-Zustand ist.

1. Den Modus **SINGLE AUTO CUE** mit der Taste **SINGLE AUTO CUE/CONTINUOUS (17)** aktivieren.

HINWEIS: EINE UNTERBRECHUNG DES ABSPIELENS INMITTEN DER SPUR WIRD DAS ABSPIELEN AUF DER ANDEREN SEITE EINLEITEN. AM ENDE DIESER SPUR, WIRD DAS ABSPIELEN AN DER UNTERBROCHENEN STELLE FORTGESETZT.

2. Die Taste **ROBO START (29)** drücken, um **ROBO START (29)** zu aktivieren. Das Abspielen alterniert zwischen den beiden Seiten des CD-Spielers. Am Ende der Spur wird die gespielte Seite in den Pause-Zustand gehen, während die andere Seite abgespielt wird. Am Ende der Spur wird die abspielende Seite in den Pause-Zustand gehen, und die andere Seite wird abgespielt.

IM MODUS CONTINUOUS ODER WÄHREND DES NORMALEN ABSPIELENS:

Wenn man **ROBO START (29)** ohne den Modus **SINGLE AUTO** (im Modus **CONTINUOUS** oder während des normalen Abspielens) benutzt, wird das Abspielen nicht automatisch alternieren. Wenn man an der abspielenden Seite die Pausetaste drückt, wird die andere Seite abgespielt.

1. Während des normalen Abspielens setzen Sie eine Merkstelle an der anderen Seite des CD-Spielers.
2. Die Taste **ROBO START (29)** drücken, um **ROBO START (29)** zu aktivieren (die Taste wird blinken).
3. Die Taste **PLAY/PAUSE (11)** an der abspielenden Seite drücken, um das Abspielen von der Merkstellen an der anderen Seite zu beginnen.

FEHLERSUCHE:

- Wenn die CD nicht spielt, nachprüfen ob die CD richtig eingelegt wurde (mit der beschrifteten Seite nach oben). Auch auf Verunreinigung, Kratzer usw. überprüfen.
- Wenn die CD sich dreht aber kein Ton zu hören ist, die Kabelanschlüsse überprüfen. Wenn diese in Ordnung sind, den Verstärker bzw. das Empfangsgerät überprüfen.
- Wenn die CD springt, ist sie auf Schmutz oder Kratzer zu überprüfen. Man darf nicht sofort annehmen, daß der CD-Spieler defekt ist. Viele CDs werden nicht spezifikationsgemäß aufgezichnet und springen auf den meisten oder allen CD-Spielern. Bevor Sie das Gerät zur Reparatur einsenden, versuchen Sie, eine CD abzuspielen, von der Sie sicher sind, daß sie richtig spielt.

ABHÄNGIG: VON DER BESCHAFFENHEIT DES AUFNAHMEGERÄTS ODER DER DC-R/RW-PLATTE SELBST, KÖNNEN EINIGE DC-R/RW-PLATTEN NICHT GESPIELT WERDEN.

TECHNISCHE DATEN:

ALLGEMEINES:

Typ.....	Standarddigitalschallplatten, Scheibe MP3 Text, CD-R, CD-RW (12cm und 8cm)
CD-Typ.....	Standarddigitalschallplatten, Scheibe MP3 Text, CD-R, CD-RW (12cm und 8cm)
Zeitsdisplay.....	abgelaufene Zeit der Spur, auf der Spur verbleibende Zeit und auf der CD verbleibende Zeit
Sofort-Start.....	innerhalb von 0,015 Sekunden
Spurwahl.....	1 bis 999 Spuren
Installation.....	(3U Fernbedienung / 2U Hauptgerät) 19"/482 mm jedes
Abmessungen.....	Fernbedienung-W 19" x H 5 3/16" x D 1 5/8" (482x35x38mm) Hauptgerät- W 19" x H 3 5/8" x D 10" (482x88x254mm)

AUDIOABSCHNITT:

Gewicht (jedes).....	Fernbedienung-3.5 lbs (1.5 kg) / Hauptgerät-9.5 lbs. (4.3 kg)
Übertragungsgeschwindigkeit.....	32-320 kbps
Quantisierung.....	16 Bit Linear/Kanal, 3-Strahlen-Laser
Oversamplingrate.....	8mal
Samplingfrequenz.....	44,1KHz
Frequenzantwort.....	20 Hz bis 20 KHz
Harmonische Gesamtverzerrung.....	weniger als 0,05%
Verhältnis Signal/Ra.uschen.....	100 dB
Dynamikbereich.....	96 dB
Kanaltrennung.....	90 dB (1 KHz)
Ausgangspegel.....	1.9 Volt Effektivwert
Stromversorgung.....	Wechselstrom 115/230V, 60/50 Hz

DIE TECHNISCHE DATEN UND DIE KONSTRUKTION KÖNNEN ZU VERBESSERUNGSZWECKEN OHNE VORHERIGE BEKANNTGABE GEÄNDERT WERDEN.

GUÍA RÁPIDA DEL COMIENZO:

- ① **VOLTAGE SELECTOR SWITCH – SELECTOR DE TENSIÓN:** Para establecer la tensión correcta, ajuste el **VOLTAGE SELECTOR (1)** entre **115** ó **230** voltios.
- ② **POWER JACK (AC IN) – JACK DE PODER (ENTRADA CA):** Conecte la clavija al **POWER JACK (2)** para obtener corriente.
- ③ **REMOTE CONTROL - MANDO A DISTANCIA:** Utilice los gatos del **CABLE** incluido y del **REMOTE CONTROL (3)** para conectar el **REMOTE CONTROL** con la **MAIN UNIT**.
- ④ **LINE OUTPUT JACKS – JACKS DE SALIDA DE LÍNEA:** Los **LINE OUTPUT JACKS (4)** permiten un sonido estereofónico por intermedio de cables **RCA** hacia su mezclador o receptor.
NOTA: SE CERCIORAN DE LOS CABLES SE ENCHUFAN FIRMEMENTE PARA EL SONIDO ÓPTIMO.
- ⑤ **DIGITAL OUTPUT JACK (BNC) – JACK DE SALIDA NUMÉRICA:** Utilice el **BNC (5)** para conectar a cualquier tipo de aparato que acepte las señales numéricas.
- ⑥ **POWER – PODER:** Apriete el pulsador **POWER (6)** para activar el lector del DC.
NOTA: CERCÍOARSE DE QUE EL VOLTAGE SELECTOR SWITCH (1) ESTÉ ARREGLADO ANTES DEL USO.
- ⑦ **DISC TRAY – BANDEJA DE DISCO:** El **DISC TRAY (7)** es donde el disco compacto se encuentra durante el cargamento, el descargamento y la lectura, la **DISC TRAY (7)** recibe discos de **12 cms** o de **8 cms**.
- ⑧ **OPEN/CLOSE - ABRIR/CERRAR:** El hecho de apretar el pulsador **OPEN/CLOSE (8)** de la bandeja la abrirá o la cerrará.
- ⑨ **DISPLAY – PANTALLA:** El **DISPLAY (9)** muestra varias funciones del lector **DC**. Véase las **DESCRIPCIONES DE LAS FUNCIONES** para más detalles.
- ⑩ **PLAYBACK DISPLAY BAR – CINTA INDICADORA DE LECTURA :** El **PLAYBACK DISPLAY BAR (10)** muestra **TIME ELAPSED** y **TIME REMAINING**.
- ⑪ **PLAY/PAUSE – LECTURA/PAUSA:** Apriete el pulsador **PLAY/PAUSE (11)** para activar la función **PLAY** o **PAUSE**. Véase las **INSTRUCCIONES PARA CUE** o **ROBO START** para más detalles.
- ⑫ **CUE/PREVIEW – PUNTO DE REFERENCIA/EXHIBICION PRELIMINAR:** Apriete ligeramente **CUE/PREVIEW (12)** para regresar y establecer el **CUE** o apriete y mantenga para el **PREVIEW** desde un **CUE**; véase la **INSTRUCCIONES CUE**.
- ⑬ **SEARCH (FOLDER/FILE)-BUSQUEDA (CARPETA/ARCHIVO):** Utilice el **SEARCH (13)** para explorar una pista en adelante y atrás. En uso del modo **MP3** el botón de la **CARPETA** de visión se está leyendo qué carpeta y de utilizar el botón del **ARCHIVO** para visión el archivo.
- ⑭ **TRACK SEARCH – SALTAR PISTA:** El hecho de apretar los pulsadores **TRACK SKIP (14)** le permite seleccionar la pista para la lectura.
- ⑮ **TIME – TIEMPO:** Apriete el pulsador **TIME (15)** ligeramente para seleccionar entre: **ELAPSED, REMAIN, TOTAL REMAIN**.
- ⑯ **STOP – PARAR:** Presione la **STOP (16)** una vez para parar el CD.
- ⑰ **SINGLE AUTO CUE/CONTINUOUS – PUNTO DE REFERENCIA AUTOMATICO UNICO/CONTINUO:** Apriete **SINGLE AUTO CUE/CONTINUOUS (17)** para llegar a las funciones **SINGLE AUTO CUE, CONTINUOUS** y **NORMAL**.
- ⑱ **FLY CUE - PUNTO DE REFERENCIA EN VIVO:** **FLY CUE (18)** le permite establecer un **CUE POINT** en vivo muy pronto.
- ⑲ **B/EXIT - B/SALIDA:** Presione **B/EXIT (19)** en modo del juego, después de **CUE POINT** de la señal se memorice para comenzar un **LAZO**, presionan otra vez para salir del **LAZO**.
- ⑳ **B-EDIT - B-CORRIJA:** Presione **B-EDIT (20)** y utilice la **JOG WHEEL (22)** para corregir un **LAZO** existente, prensa otra vez para salir **EDIT** modo.
- ㉑ **RETURN- VOLVER:** Para leer a partir de un **CUE POINT** memorizado o de un **LOOP**, apriete **RETURN (21)** para leer otra vez el **LOOP** o el **CUE**.
- ㉒ **JOG WHEEL – RUEDA JOG:** El **JOG WHEEL (22)** tiene varias funciones: **PITCH BEND, CUEING** y **TRACK SEARCHING**.
- ㉓ **JOG MODE - MODO DE LA BÚSQUEDA:** Presione para cambiar el **JOG MODE (23)** de la **JOG WHEEL (22)** de **MÚSICA** al modo de la **PISTA**.
- ㉔ **JOG MODE LED - MODO LED DE LA BÚSQUEDA:** **JOG MODE LED (24)** las exhibiciones que **JOG MODE (23)** es en uso.
- ㉕ **PITCH – ALTURA DEL TONO:** El pulsador **PITCH (25)** activa el **PITCH CONTROL SLIDE (27)**.
- ㉖ **PITCH BEND – AJUSTE DE LA ALTURA TONAL:** El hecho de apretar los pulsadores **PITCH BEND (26)** automáticamente alzará la altura por hasta **4%** o atenuará la altura hasta **4%**.
- ㉗ **PITCH CONTROL SLIDE - CONTROL DE ALTURA TONAL:** La altura del disco compacto cambiará según la posición del **PITCH CONTROL SLIDE (27)**, (- o +) **4%, 8%, y 16%**.
- ㉘ **VPS (VARIABLE PITCH SELECTOR – SELECTOR DE LA ALTURA DEL TONO VARIABLE) 4%, 8% y 16%:** Utilice el **VPS (24)** para cambiar los arreglos de la altura del tono de **4%, 8% y 16%**.
- ㉙ **ROBO START - COMIENZO ROBÓTICO:** Usar el **ROBO START (29)** le permite alternar el juego entre dos CDs usando ambos lados.

INTRODUCCIÓN:

Felicitaciones por su compra de un reproductor de discos compactos, el **MPX-3 de Gemini**. Este reproductor profesional de la más avanzada tecnología está respaldado por una garantía de tres años, salvo los láseres. Garantía de un año para CD láser. Antes de usarlo, le recomendamos leer cuidadosamente todas las instrucciones. Su reproductor de discos compactos **MPX-3 de Gemini** contiene un **Automatic Disc Calibration System (ADCS)** o sea un sistema de calibración automática de discos, lo que es una función ultramoderna y única. Los discos compactos son producidos por una variedad de fabricantes y grabados por una gran variedad de negocios profesionales así como por ciertos aficionados en la casa. Así es que todos los discos compactos no reproducen de la misma forma. Le **ADCS** regla automáticamente el láser en su aparato **MPX-3** para su disco compacto respectivo que Ud coloca en la bandeja, para darle el mejor desempeño posible sin tener cuenta de quién lo fabricó o de cómo fue grabado. Con este sistema exclusivo, siempre obtendrá un desempeño consistente y fiable así como una calidad sonora excepcional cada vez que se reproduzca un disco compacto... cualquier disco compacto.

CARACTERÍSTICAS:

- Puede Jugar: MP3/AUDIO CDS, CDR, CDRW
- Punto de Referencia y Punto de Referencia en Vivo
- Contra Memoria del Almacenador Intermediario del Schock
- Búsqueda Marco-Exacta Y Ultra-Ra'pida De la Música De la Pista
- Alta Exhibición Azul De Visibility LCD
- Selector De Modo De la Búsqueda
- Tono Variable de 4%, 8%, 16%
- Comienzo Robótico
- Lazo Con Corregir en Tiempo Real
- Externo/Intermo Rueda Jog
- Ajuste de la Altura Tonal
- Comienzo Inmediato
- Texto Del Disco MP3

PRECAUCIONES:

No use este reproductor de discos compactos en temperaturas inferiores a 5°C o superiores a 35°C.

Este aparato no debería estar expuesto al goteo o a las salpicaduras y ningún objeto lleno de líquido, tal como floreros, debería estar colocado sobre el aparato. Instale la unidad en una superficie limpia y seca.

No coloque la unidad en un sitio de poca estabilidad.

Para desconectar el cable de alimentación de la red, tire del enchufe, nunca del cable.

Para evitar descargas eléctricas, no quite la tapa ni los tornillos de la base. Nunca intente reparar Ud. mismo este aparato, ante cualquier avería contacte con un técnico especializado.

No use productos químicos para limpiar el aparato.

Conserve el lector láser limpio manteniendo la bandeja cerrada.

Conserve este manual en un sitio apropiado para próximas consultas.

CERTIFICACIONES DE SEGURIDAD:

Características del diodo láser:

Material: Ga - Al - As

Longitud de onda: 755 - 815 nm (25°C)

Salida láser: onda continua; máx. 0,5 mVatios

SELECCIÓN DEL VOLTAJE DE LÍNEAL:

El modelo **MPX-3** series es un modelo de doble voltaje. Puede funcionar con **115** ó **230** voltios. Para cambiar el voltaje, siga los pasos siguientes:

1. Coloque la punta de un destornillador en el centro de la **VOLTAGE SELECTOR (1)** que se encuentra en el panel posterior.
2. Deslice la llave para **115** o para **230** voltios.
3. No fuerce ni tuerza la llave. El hecho de aplicar fuerza excesiva puede causar daño. Si la llave no se mueve con suavidad, póngase en contacto con un técnico calificado.

CONEXIONES:

1. Con el cable suministrados, enfiche una extremidad en el conector **REMOTE CONTROL (3)** y la otra extremidad en el conector **MAIN UNIT- REMOTE CONTROL (3)**.
2. Enfiche una extremidad de un juego de conectores **RCA** en cada uno de los jacks de **LINE OUTPUT (4)**.
3. Enfiche la otra extremidad de los conectores **RCA** en cualquier jack de entrada de línea disponible de su mezclador. Si el **MPX-3** pasa por un receptor, se puede enfichar los conectores **RCA** en los jacks de entrada **CD** o **AUX** de su receptor. Si no hay entradas **CD** o **AUX**, utilice cualquier entrada de línea (fono no).
4. Los gatos de la salida de **DIGITAL BNC (5)** están para conectar con cualquier tipo de **DAT**, de **MD**, de **DISCO DURA**, o de cualquier otro tipo de dispositivo que acepten señales numéricas.

DESCRIPCIÓN DE LAS FUNCIONES:

POWER: Después de asegurarse que la **VOLTAGE SELECTOR SLIDE (1)**, que se encuentra en el panel posterior, está en posición correcta, enchufe la unidad y apriete la **POWER (6)**. La unidad se activará. La unidad se inactiva volviendo a apretar la **POWER (6)**.

DISC TRAY: Durante la carga, descarga y reproducción, el disco compacto permanece en la **DISC TRAY (7)**. La bandeja se abre o cierra apretando el **OPEN/CLOSE (8)**. La **DISC TRAY (7)** acepta discos compactos de 12 cm y de 8 cm.


NOTA: CUANDO EL APARATO MPX-3 ESTÁ EN MODALIDAD DE REPRODUCCIÓN, LA BANDEJA NO SE PUEDE ABRIR.

OPEN/CLOSE: Apriete el **OPEN/CLOSE (8)** para cargar o sacar un disco compacto de la **DISC TRAY (7)**.


DISPLAY: DISPLAY (9) muestra los siguientes datos: texto del disco MP3 número de pista, valor del tono, modalidad single-auto cue (punto de referencia único-auto), continue-continuo (para la reproducción continua) y 3 cifras horarias. Estas cifras corresponden al tiempo de pista transcurrido, el tiempo remanente de disco, y el tiempo remanente de pista.


NOTA: PARA LOS DISCOS MP3 QUE LA EXHIBICIÓN DEMOSTRARÁ SOLAMENTE ELASPED Y SIGUEN SIENDO TIEMPO.

PLAYBACK DISPLAY BAR: El **PLAYBACK DISPLAY BAR (10)** indica el tiempo remanente para la reproducción y parpadea lentamente cuando quedan **15** segundos de música. El **PLAYBACK DISPLAY BAR (10)** parpadea rápidamente cuando quedan **5** segundos.

PLAY/PAUSE : Cada vez que se aprieta el **PLAY/PAUSE (11)** el funcionamiento cambia de reproducción a pausa o de pausa a reproducción.

CUE/PREVIEW: Con el aparato en la modalidad de reproducción y después de haber memorizado el punto de referencia, el hecho de apretar el pulsador **CUE/PREVIEW (12)** (**PUNTO DE REFERENCIA**) hará pasar el tocador CD a la modalidad de pausa en el punto de referencia memorizado. Si Ud mantiene el dedo en el pulsador **CUE/PREVIEW (12)**, la función **CUE** pasará a **PREVIEW** (lo que le permitirá escuchar la música al ritmo que haya escogido manteniendo el dedo en el pulsador **CUE/PREVIEW (12)**). Si Ud saca el dedo del pulsador **CUE/PREVIEW (12)**, le lleva de nuevo al punto **CUE/PREVIEW (12)** preestablecido.

SEARCH (FOLDER/FILE) : Los pulsadores **SEARCH (13)** se usan para ir en adelante o atrás durante la modalidad de lectura o de pausa. En uso del **MODO MP3** la **SEARCH (13)** abotona para visión que **FOLDER/FILE (13)** se esté leyendo. Presione la **CARPETA** para visión una carpeta, después presione el **ARCHIVO** para visión el archivo de la carpeta seleccionada. Si la **RUEDA de la JOG WHEEL (22)** está en **MODO de la PISTA** los botones de **FOLDER/FILE (13)** corresponderán con se está viendo qué **CARPETA** o **ARCHIVO**. La **SEARCH de la PISTA**, función de **(14)** botones también como la **RUEDA de la PISTA (14)** abotonan también el función como la **RUEDA de la JOG WHEEL (22)**. Véase la **INSTRUCCIONES DEL PUNTO DE REFERENCIA** para más informaciones.

TRACK SEARCH : Los pulsadores **TRACK SEARCH (14)** le permite **SEARCH** seleccionar la pista que quiera escuchar.

TIEMPO: TIME (15) hace desplegar sucesivamente los tres datos horarios enumerados en **DISPLAY (9)**.

PARADA : El boton **STOP (16)** detiene la reproducción del disco compacto.

SINGLE AUTO CUE/CONTINUOUS: El hecho de apretar el botón **SINGLE AUTO CUE/CONTINUOUS (17)** activa la función **AUTO CUE**. Esta función produce la pausa del aparato al principio de la música de la pista siguiente y le permite empezar la reproducción inmediatamente desde el principio de la música sin espacio en blanco (lo que existe al principio de cada pista). El hecho de apretar el botón **SINGLE AUTO CUE/CONTINUOUS (17)** por segunda vez activa la función **CONTINUOUS** lo que permitirá una reproducción continua (después de la última pista, el aparato volverá a la primera pista del disco y seguirá la reproducción). El hecho de apretar el botón **SINGLE AUTO CUE/CONTINUOUS (17)** por tercera vez desactiva la función **CONTINUOUS**.

FLY CUE: La función **FLY CUE (18)** le permite introducir rápidamente puntos de referencia al apretar un botón. Apriete **FLY CUE (18)** en el punto donde a Ud le gusta introducir el punto de referencia (el aparato continúa reproduciendo). Ahora el punto de referencia está memorizado. Apriete el botón **CUE/PREVIEW (12)** para volver al punto de referencia memorizado. Apriete el botón **PLAY/PAUSE (11)** y el aparato comenzará inmediatamente la reproducción desde el sitio seleccionado.

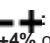
B/EXIT: Después de memorizar un punto de referencia, el hecho de apretar el pulsador **B/EXIT (19)** repite la acción entre el punto de referencia y el punto donde se apretó el pulsador **B/EXIT (19)**. Apriete el pulsador **B/EXIT (19)** otra vez o ponga en aparato en Pausa para **EXIT - SALIR** de la lectura repetida.

B-EDIT: Después de que se haya memorizado un **LAZO** usted puede cambiar la longitud del **LAZO** presionando **B-EDIT (20)** entonces uso la **JOG WHEEL (22)** de ajustar la longitud. Para salir corrija la prensa del modo **B-EDIT (20)** otra vez.

RETURN: El pulsador **RETURN (21)** tiene dos funciones. Para volver a un loop memorizado anteriormente de la reproducción normal, apriete el pulsador **RETURN (21)** después de memorizar el loop. Para volver al **PUNTO DE REFERENCIA** anteriormente memorizado, apriete el pulsador **RETURN (21)** después de establecer el **PUNTO DE REFERENCIA** (si no tiene loop memorizado).

JOG WHEEL: La **JOG WHEEL (22)** tiene dos modos: Modos de la **MÚSICA** y de la **PISTA**. Presione el **JOG MODE (23)** para cambiar entre los modos. En modo de la música usted puede utilizar la **RUEDA INTERNA** para hacer ajustes finos en el modo de la **PAUSA** para **CONTAR** y para doblar la echada para la sincronización exacta en modo del juego. Utilice la **RUEDA EXTERNA** para buscar rápido justo como los botones de la **SEARCH (13)**. En modo de la **PISTA** la **RUEDA INTERNA** saltará algunas pistas como usted da vuelta a la rueda, y la **RUEDA EXTERNA** saltará a través de muchas pistas cuando está dada vuelta.

PITCH: El hecho de apretar el botón **PITCH (25)** activa la sección tono de la unidad. El tono del disco compacto cambiará según la posición de la llave corrediza **PITCH CONTROL SLIDE (27)**.

PITCH BEND BUTTONS : Apretando los botones **PITCH BEND (26)** se alza el tono automáticamente a **+4%** o se baja a **-4%** con respecto al ajuste existente del tono. Soltando los botones, vuelve el tono a su graduación original. Se puede utilizar esta función para igualar la afinación del tono cuando se mezclan canciones.

VPS (VARIABLE PITCH SELECTOR) 4%, 12%, 24%: Utilice los pulsadores de **VPS (28)** para asignar el porcentaje que tendrá el deslizador de control de la altura tonal. El pulsador de **4%** asignará **+/-4%** al deslizador de control de la altura. El pulsador de **12%** asignará **+/-12%** y el de **24%** asignará **+/-24%**. El **PITCH (25)** debe estar **ON-ACTIVO** para que funcionen los pulsadores de **VPS (28)**.

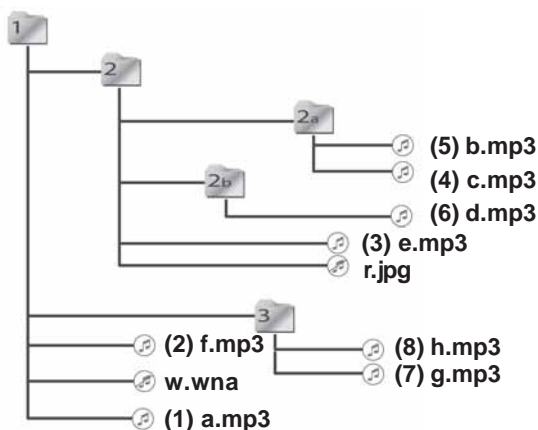
INSTRUCCIONES DE MANEJO:

- Asegúrese que la **VOLTAGE SELECTOR SWITCH (1)**, que se encuentra en el panel posterior, esté en la posición correcta. Enchufe el cordón de alimentación y apriete la **POWER (6)**. La unidad se activa. Apretando la **POWER (6)** por segunda vez se inactiva la unidad.
- Apriete el **OPEN/CLOSE (8)**, coloque un disco compacto en la **DISC TRAY (7)** y apriete el **OPEN/CLOSE (8)** nuevamente. La bandeja se cierra.
- Para seleccionar la pista que quiera escuchar, apriete los **TRACK SEARCH (14)**.
- Apriete el **PLAY/PAUSE (11)** y la unidad comenzará a reproducir instantáneamente.

ORDEN DE LA LECTURA PARA LOS ARCHIVOS MP3:

Todos los archivos **MP3** deben tener la extensión ***.mp3**. Si no hay archivos con las extensiones del ***.mp3** o **MP3000X** no pueden leer el sistema de ficheros que el lector de cd no indicará correctamente **NO DISC** y el segmento **MP3** en la esquina derecha de la exhibición del **LCD** centelleo. Si un archivo tiene no extensión del ***.mp3**, será saltado, durante la lectura del sistema de ficheros. (véase los archivos de **w.wna** y de **r.jpg** en el diagrama). El formato de **UDF** no se apoya. Para **MP3** archiva con las pedacito-tarifas adaptantes, haber transcurrido y sigue siendo indicación del tiempo será inexacto. El **MPX-3** jugará solamente la primera sesión de pistas en un CD que se ha registrado en modo del **MULTISESSION** y **MIXED**.

DIAGRAMA DE LA MUESTRA DE FILE/FOLDER:



Orden de la lectura para los archivos **MP3**: **a.mp3, f.mp3, e.mp3, c.mp3, b.mp3, d.mp3, g.mp3, h.mp3**.

INSTRUCCIONES PARA EL PUNTO DE REFERENCIA:

Para utilizar el botón **FLY CUE (18)** para establecer el punto de referencia, siga las instrucciones siguientes:

- Con el aparato en la modalidad de reproducción apriete **FLY CUE (18)** en el punto donde a Ud le gusta introducir el punto de referencia (el aparato continúa reproduciendo). Ahora el punto de referencia está memorizado. Apriete el botón **CUE/PREVIEW (12)** para volver al punto de referencia memorizado. Apriete el botón **PLAY/PAUSE (11)** y el aparato comenzará inmediatamente la reproducción desde el sitio seleccionado.

Y/O:

- Para memorizar el punto donde desea que comience la reproducción, seleccione la pista correspondiente y luego apriete el pulsador **PLAY/PAUSE (11)** para que la unidad entre en la modalidad de reproducción (la luz verde de reproducción/pausa se prenderá). Escuche el disco compacto y cuando llegue al sitio aproximado, apriete el pulsador **PLAY/PAUSE (11)** para que el aparato entre en la modalidad de pausa (la luz verde de reproducción/pausa parpadeará). Mueva el **JOG WHEEL (22)** o **SEARCH (13)** botones, al sitio preciso de donde quiere que comience la reproducción y apriete el pulsador **PLAY/PAUSE (11)** para memorizar el punto de referencia. Para **MP3** los discos utilizan la **RUEDA INTERNA** para encontrar el punto exacto. (usted no oír la música al mover la **RUEDA EXTERNA**). Apriete el pulsador **CUE** para volver al punto de referencia memorizado. Apriete el pulsador **PLAY/PAUSE (11)** y el aparato comenzará inmediatamente la reproducción desde el sitio seleccionado.

NOTA: EN EL MODO MP3 QUE LA SEARCH (13) ABOTONA LA FUNCIÓN COMO MODO DE FILE/FOLDER, UTILICE LA RUEDA DE LA SACUDIDA PARA CONTAR EXACTO.

- Para arreglar el punto de referencia memorizado con gran precisión, apriete el pulsador de **PLAY/PAUSE (11)** para que la unidad pase a la modalidad de pausa (la luz verde de reproducción/pausa se prende) y escuche cuidadosamente hasta el punto de comienzo. Apriete el pulsador **CUE/PREVIEW (12)** y la unidad pasará a la modalidad de pausa (la luz verde de reproducción/pausa parpadeará) y el disco compacto volverá al punto de referencia memorizado anteriormente.

- Si Ud. decide que este punto es correcto, deje tranquila la unidad hasta que Ud esté listo para usarla. La unidad comenzará a reproducir instantáneamente a partir del punto seleccionado. Si el punto seleccionado no se encuentra en el sitio deseado, y con la unidad en la modalidad de reproducción, simplemente apriete el pulsador **CUE/PREVIEW (12)**. La unidad volverá al sitio seleccionado anteriormente, y pasará a la modalidad de pausa. Localice el punto exacto en el **CD** en el cual usted quisiera que el juego comenzara dando vuelta a la **JOG WHEEL (22)** o usando los botones de la **SEARCH (13)**. Después de haber localizado el punto, apriete el pulsador de **PLAY/PAUSE (11)** para memorizar el nuevo punto de referencia. Apriete el pulsador **CUE/PREVIEW (12)** para pausar la reproducción en el nuevo punto de referencia memorizado.

INSTRUCCIONES PARA EL ROBO START: EN SINGLE AUTO CUE MODE:

Use **ROBO START (29)** en **SINGLE AUTO CUE** mode para alternar la reproducción entre ambos lados del reproductor CD (una pista de un lado, y después una pista del otro lado). En el **SINGLE AUTO CUE** mode la reproducción empieza inmediatamente desde el principio de la música sin espacio blanco (lo cual existe al principio de cada pista). El **ROBO START (29)** causa la reproducción en un lado del tocador CD; entretanto, el otro lado está pausando.

- Active el **SINGLE MODE CUE** mode con el pulsador **SINGLE AUTO CUE/CONTINUOUS (17)**.
- Apriete el pulsador **ROBO START (29)** para activar el **ROBO START (29)** (el pulsador parpadeará). La producción alternará entre ambos lados del tocador CD. Al final de la pista, el lado de reproducción pausará y el otro lado se pondrá a reproducir. Al final de esta pista, el lado de reproducción pausará y el otro lado empezará a reproducir.

NOTA: EL HECHO DE PAUSAR EL LADO DE REPRODUCCIÓN A MEDIADOS DE UNA PISTA CAUSARÁ LA REPRODUCCIÓN DEL OTRO LADO. UNA VEZ ESTA PISTA TERMINADA, LA REPRODUCCIÓN COMENZARÁ DESDE LA MITAD DE LA PISTA DONDE SE PAUSÓ LA REPRODUCCIÓN.

EN LA MODALIDAD CONTINUA O DURANTE LA REPRODUCCIÓN NORMAL:

Si Ud usa el **ROBO START (29)** sin el **SINGLE AUTO CUE MODE** (en la modalidad **CONTINUA** o durante la reproducción normal), la reproducción no alternará automáticamente. El hecho de apretar pausa en el lado de reproducción causará la reproducción del otro lado.

- Durante la reproducción normal, ponga un punto de referencia en el otro lado del reproductor CD.
- Apriete el pulsador **ROBO START (29)** para activar **ROBO START (29)**.
- Apriete el pulsador **PLAY/PAUSE (11)** en el lado reproducido para comenzar la reproducción desde el punto de referencia establecido en el otro lado.

RESOLUCIÓN DE PROBLEMAS:

- Si el disco no reproduce, compruebe si el disco está colocado correctamente (cara escrita hacia arriba). Compruebe además si el disco tiene suciedad excesiva, rayaduras, etc.
- Si el disco gira pero no se oye sonido, compruebe las conexiones de los cables. Si éstas están bien, compruebe el amplificador y el receptor.
- Si el disco saltea, compruebe si el disco tiene suciedad o rayaduras. No dé por supuesto que el defecto está en el reproductor. Muchos discos compactos se graban fuera de especificaciones y saltan en muchos o todos los reproductores. Antes de enviar la unidad a ser reparada, pruebe un disco que le funciona correctamente.

NOTA: SEGÚN EL ESTADO DEL EQUIPO DE GRABACIÓN O DEL DISCO CD-R/RW, ES IMPOSIBLE REPRODUCIR CIERTOS DISCOS CD-R/RW.

ESPECIFICACIONES:

GENERALES:

Tipo.....	Reproductor de discos compactos
Tipo de disco.....	Discos compactos estándar, Texto Del Disco MP3, CD-R, CD-RW (12 cm y 8 cm)
Visualizador horario.....	Tiempo de pista transcurrido, tiempo remanente de pista, remanente total
Comienzo instantáneo.....	Dentro de los 0.15 Segundos
Selección de pistas del.....	1 a 999 Pistas
Instalación.....	(3U Remote Control / 2U Main Unit) 19"/482mm each 19 pulgadas (48.5 cm)
Dimensiones.....	Remote Control-W 19" x H 5 3/16" x D 1 5/8" (482x35x38) Main Unit-W 19" x H 3.5" x D 10" (482x88x254)
Peso (cada uno).....	Remote Control-3.5 lbs (1.5 kg) / Main Unit-9.5 lbs. (4.3 kg)

SECCIÓN AUDIO:

Índice binario.....	32-320 kbps
Cuantificación.....	Canal/lineal de 16 bit, laser de 3 destellos
Exceso de muestreo.....	8 veces
Frecuencia de muestreo.....	44.1 KHz
Frecuencia de respuesta.....	20 Hz a 20 KHz
Distorsión armónica total.....	menos de 0.05%
Proporción señal/ruido.....	100 dB
Variación dinámica.....	96 dB
Separación de canales.....	90 dB (1 KHz)
Nivel de salida.....	1.9 voltios, valor cuadrático medio
Alimentación.....	CA 115/230V, 60/50 Hz

LAS ESPECIFICACIONES Y EL DISEÑO ESTÁN SUJETOS A CAMBIO SIN PREVIO AVISO CON FINES DE PERFECCIONAMIENTO.

GUIDE RAPIDE DE DÉBUT:

- ① **VOLTAGE SELECTOR SWITCH – SÉLECTEUR DE TENSION:** Pour établir la tension correcte, réglez le **VOLTAGE SELECTOR (1)** sur **115 volts** ou **230 volts**.
- ② **POWER JACK (AC IN) – JACK DE TENSION (ENTRÉE CA):** Branchez la fiche de tension au **POWER JACK (2)** pour avoir du courant.
- ③ **REMOTE CONTROL - TÉLÉCOMMANDE:** Employez les crics de **CÂBLE** inclus et de **REMOTE CONTROL (3)** pour relier la **TÉLÉCOMMANDE** à **L'UNITÉ PRINCIPALE**.
- ④ **LINE OUTPUT JACKS – JACKS DE SORTIE DE LIGNE:** Les **LINE OUTPUT JACKS (4)** offrent un son stéréo par l'intermédiaire de câbles **RCA** à votre mélangeur ou récepteur.
REMARQUE: ASSUREZ-VOUS QUE LES CÂBLES SONT SOLIDEMENT BRANCHÉS POUR OBTENIR UN SON OPTIMAL.
- ⑤ **DIGITAL OUTPUT JACK (BNC) – JACK DE SORTIE NUMÉRIQUE:** Utilisez le **BNC (5)** pour réaliser le branchement à n'importe quel appareil qui accepte des signaux numériques.
- ⑥ **POWER – PUISSANCE:** Appuyez sur la touche **POWER (6)** pour mettre le lecteur DC en marche.
REMARQUE: ASSUREZ-VOUS QUE LE VOLTAGE SELECTOR SWITCH (1) EST RÉGLÉ AVANT L'EMPLOI.
- ⑦ **DISC TRAY – PLATEAU A DISQUE:** Le **DISC TRAY (7)** contient le disque durant le chargement, le déchargement et la lecture, le **DISC TRAY (7)** peut contenir des disques de **12 cm** et de **8 cm**.
- ⑧ **OPEN/CLOSE – OUVRIR/FERMER:** Lorsque vous pressez la touche **OPEN/CLOSE (8)** du plateau, ce dernier s'ouvrira ou se fermera.
- ⑨ **DISPLAY – AFFICHAGE:** Le **DISPLAY (9)** montre les différentes fonctions du lecteur DC. Voir **DESCRIPTIONS FONCTIONNELLES** pour les détails.
- ⑩ **PLAYBACK DISPLAY BAR – BARRE D'AFFICHAGE DE REPRODUCTION:** Le **PLAYBACK DISPLAY BAR (10)** montre le **TIME ELAPSED** et le **TIME REMAINING**.
- ⑪ **PLAY/PAUSE – LECTURE/PAUSE:** Appuyez sur la touche **PLAY/PAUSE (11)** pour activer la modalité **PLAY** ou **PAUSE**. Voir les **INSTRUCTIONS POUR POINT DE REPÈRE** ou **DÉMARRAGE ROBO** pour les détails.
- ⑫ **CUE/PREVIEW – REPÈRE/PRÉVISION:** Tapez sur **CUE/PREVIEW (12)** pour revenir à un **CUE** établi ou pressez et maintenez **PREVIEW** à partir d'un **CUE**; voir les **INSTRUCTIONS DE REPÈRE**.
- ⑬ **SEARCH (FOLDER/FILE) – RECHERCHE (CHEMISE/DOSIER):** Utilisez le **SEARCH (13)** pour balayer en avant et en arrière sur une piste. Dans l'utilisation du mode **MP3** le bouton de **CHEMISE** de regarder quelle chemise est lue et d'utiliser le bouton de **DOSSIER** pour regarder le dossier.
- ⑭ **TRACK SEARCH– SAUTER DE PISTE:** Appuyez sur les touches **TRACK SEARCH (14)** pour choisir la piste que vous voulez reproduire.
- ⑮ **TIME – TEMPS:** Tapez légèrement sur la touche **TIME (15)** pour changer la préférence temporelle parmi trois fonctions: **ELAPSED, REMAIN, TOTAL REMAIN**.
- ⑯ **STOP – ARRÊTER:** Appuyez **STOP (16)** une seule fois pour arrêter.
- ⑰ **SINGLE AUTO CUE/CONTINUOUS – REPÈRE AUTO UNIQUE/CONTINU:** Tapez légèrement sur **SINGLE AUTO CUE/CONTINUOUS (17)** pour: les modalités **SINGLE AUTO CUE, CONTINUOUS** et **NORMAL**.
- ⑱ **FLY CUE – REPÈRE À LA VOLÉE:** **FLY CUE (18)** établit un **CUE POINT** à la volée.
- ⑲ **B/EXIT – REPÈRE-B/SORTIE:** Appuyez sur la touche **B/EXIT (19)** dans la modalité **PLAY**, après avoir mémorisé un **CUE POINT** pour démarrer une **LOOP**, serrent encore pour sortir la **LOOP**.
- ⑳ **B-EDIT - B/ÉDITER:** Serrez **B-EDIT (20)** et utilisez la **JOG WHEEL (22)** pour éditer une **LOOP** existante, pression encore pour sortir **EDIT** le mode.
- ㉑ **RETURN – RETOUR:** Pour la lecture à partir d'un **CUE POINT** ou d'une **LOOP**, appuyez sur **RETURN (21)** pour reproduire la fonction **LOOP** ou **CUE** de nouveau.
- ㉒ **JOG WHEEL – ROUE JOG:** La **JOG WHEEL (22)** a plusieurs fonctions: **PITCH BEND, CUEING** et **TRACK SEARCHING**.
- ㉓ **JOG MODE - MODE DE RECHERCHE:** Serrez pour changer le **JOG MODE (23)** de la **JOG WHEEL (22)** de la **MUSIQUE** en mode de **VOIE**.
- ㉔ **JOG MODE LED - MODE LED DE RECHERCHE:** **JOG MODE LED (24)** les affichages qui **JOG MODE (23)** est en service.
- ㉕ **PITCH – HAUTEUR DU SON:** La touche **PITCH (25)** active le **PITCH CONTROL SLIDE (27)** indiqué par le voyant **LED** rouge au-dessus de la touche.
- ㉖ **PITCH BEND:** Les boutons pour la **PITCH BEND (26)**, abaissent ou soulèvent le pourcentage de lancement (**- ou +**) **4%** une fois appuyés sur.
- ㉗ **PITCH CONTROL SLIDE:** La hauteur de son du **D C** changera selon la position de cette touche, (**- ou +**) **4%, 8%, & 16%**
- ㉘ **VPS (VARIABLE PITCH SELECTOR – SÉLECTEUR DE LA HAUTEUR DU SON VARIABLE) 4%, 8% et 16%:** Utilisez ce **VPS (28)** pour changer les réglages de la hauteur du son entre **4%, 8% et 16%**.
- ㉙ **ROBO START - DÉBUT ROBOTIQUE:** Employer le **ROBO START (29)** vous permet d'alterner le jeu entre deux CD en utilisant les deux côtés.

INTRODUCTION:

Nos félicitations à l'occasion de votre achat du modèle **MPX-3** lecteur CD de **Gemini**. Cet appareil très moderne est couvert par une garantie de trois ans, à l'exclusion de lasers. Garantie d'un an pour les laser CD. Avant de l'employer, lisez attentivement toutes les instructions ci-après.

Votre reproducteur DC **MPX-3** de **Gemini** est muni de l'**Automatic Disc Calibration System (ADCS)** soit le système d'étalonnage automatique de disques, un système ultramoderne et unique. Les disques compacts sont produits par une variété de fabricants et ils sont enregistrés par un grand nombre d'entreprises professionnelles ainsi que par des amateurs à la maison. Ainsi, tous les disques compacts ne reproduisent pas de la même façon. Le système **ADCS** ajuste automatiquement le laser présent dans votre reproducteur de disque **MPX-3** à votre disque compact respectif que vous mettez sur le plateau, pour vous donner la meilleure performance possible sans tenir compte de son fabricant ou de son enregistreur. Avec ce système exclusif, vous obtenez toujours des performances uniformes et fiables ainsi qu'une qualité sonore exceptionnelle chaque fois que vous reproduisez un disque compact ... n'importe quel disque compact.

CARACTÉRISTIQUES:

- Peut Jouer: MP3/AUDIO CDS, CDR, CDRW
- Anti-Choquez La Mémoire D'Amortisseur
- Recherche Armature-Précise Et Ultra-Rapide De Musique De Voie
- Repère & Repère a la Voleé Avec le Retour
- Hauteur du son Variable de 4%, 8%, 16%
- Affichage Bleu Élevé De Visibility LCD
- Sélecteur de mode De Recherche
- Loop Avec L'Édition En Temps Réel
- Début Instantané
- Intérieur/Externe Roue Jog
- Coubre de Lancement
- Début Robotique
- Texte Du Disque MP3

PRÉCAUTIONS:

N'utilisez pas ce lecteur de CD là où la température descend en-dessous de **41°F/5°C** ou dépasse **95°F/35°C**.

Cet appareil ne devrait pas être exposé aux égouttements ou aux éclaboussures et aucun objet rempli de liquide, p.e. vases, ne devrait être placé sur l'appareil. Placez l'appareil dans un endroit propre et sec.

Ne placez pas l'appareil dans un endroit instable.

Lorsque vous débranchez le cordon d'alimentation d'une prise, saisissez toujours la prise électrique. Ne tirez jamais directement sur le cordon d'alimentation.

Afin d'éviter tout risque de chocs électriques, n'enlevez pas le couvercle ou les vis intérieures. Il n'y a pas de pièces réparables par l'utilisateur à l'intérieur. Pour le service d'entretien/de réparation, veuillez vous adresser à votre revendeur habituel.

Ne pas utiliser de solvants chimiques afin de nettoyer l'appareil.

Gardez la tête de lecture (laser) propre en maintenant le capot fermé.

Conservez le présent manuel dans un endroit sûr. Ce dernier pourrait vous servir ultérieurement.

CERTIFICATIONS DE SÉCURITÉ:

Propriétés de la diode laser:

Matière: GA - Al - As

Longueur d'onde: 755 - 815 nm (25°C)

Sortie de laser: Onde continue, max. 0,5 mW

CHOIX DE LA TENSION DU SECTEUR:

Les modèles **MPX-3** est un appareil à double tension. Il fonctionne en **115** ou **230** volts. Régler la tension appropriée, suivez les étapes ci-après:

1. Placez la tête d'un tournevis au centre du **VOLTAGE SELECTOR (1)** qui se trouve sur le panneau arrière.
2. Glissez l'interrupteur à sur **115** ou **230** volts.
3. Ne forcez pas ou ne tordez pas le sélecteur de tension. Une force excessive pourrait endommager l'appareil. Si l'interrupteur ne se déplace pas facilement, prenez contact avec un technicien compétent.

BRANCHEMENTS:

1. Employer le câble inclus, enfichez une extrémité dans le connecteur du **REMOTE CONTROL (3)** et l'autre extrémité dans le connecteur du **MAIN UNIT-REMOTE CONTROL (3)**.
2. Enfichez une extrémité d'un jeu de connecteurs **RCA** dans chacun des jacks de **LINE OUTPUT - SORTIE SECTEUR (4)**.
3. Enfichez l'autre extrémité des connecteurs **RCA** dans tout jack de secteur disponible sur votre mélangeur. Si vous faites jouer le **MPX-3** à travers un récepteur, vous pouvez brancher les connecteurs **RCA** dans les jacks d'entrée **CD** ou **AUX** sur votre récepteur. S'il n'y a pas d'entrées **CD** ou **AUX**, utilisez n'importe quelles entrées de secteur (pas phono).
4. Les crics du rendement de **DIGITAL BNC (5)** sont pour se relier à n'importe quel type de **DAT**, de **MD**, de **DISQUE DUR**, ou de n'importe quel autre type de dispositif qui acceptent les signaux numériques.

DESCRIPTIONS DES FONCTIONS:

POWER: Après s'être assuré que le **VOLTAGE SELECTOR (1)**, qui se trouve sur le panneau arrière, est convenablement réglé, branchez l'appareil et appuyez sur le **POWER (6)** (Interrupteur général). L'appareil sera sous tension. Le fait de pousser le **POWER (6)** une deuxième fois, coupera le courant à l'appareil.

DISC TRAY: Le **DISC TRAY (7)** de chargement permet de mettre le CD dans l'appareil, ce tiroir permet aussi le lecteur du disque puisqu'il contient le tiroir de lecture. Le fait d'appuyer sur le **OPEN/CLOSE (8)** (bouton d'ouverture et de fermeture du tiroir). Le tiroir de chargement peut accueillir les CD de **8 cm** et **12 cm** de diamètre. Ne forcez pas le **PLATEAU DE DISQUE**, force excessive peut endommager le CD-mechanism.


NOTA: SI LE MPX-3 EST EN 'MODE DE JOU', LE PLATEAU NE S'OUVRIRA PAS.

OPEN/CLOSE: Appuyez sur le **OPEN/CLOSE (4)** pour charger ou enlever un CD du **DISC TRAY (3)** (plateau pour disque).


DISPLAY: L'écran **DISPLAY (6)** indique texte du disque MP3, le numéro de piste, la valeur du ton, le mode single-auto cue (point d'insertion unique-auto), continue (pour la lecture ininterrompue) et 3 affichages de temps différents. Ces affichages sont les suivants: temps de piste écoulé, temps de disque restant, temps de piste restant.

NOTE: POUR LES DISQUES MP3 QUE L'AFFICHAGE MONTRERA SEULEMENT ELAPSED ET RESTENT TEMPS.

PLAYBACK DISPLAY BAR: La fonction **PLAY-BACK DISPLAY BAR (10)** affiche le temps restant à jouer et clignote lentement lorsqu'il reste **15** secondes à jouer. La fonction **PLAY BACK DISPLAY BAR (10)** clignote rapidement lorsqu'il reste **5** secondes à jouer.


PLAY/PAUSE : Chaque fois que l'on appuie sur le **PLAY/PAUSE (11)** bouton il fait en sorte que le fonctionnement passe de lecture à pause ou revient de pause à lecture.

CUE/PREVIEW: L'appareil étant en mode lecture et après avoir mémorisé le point d'insertion (cue), le fait d'appuyer sur la touche **CUE/PREVIEW (12)** (touche d'insertion) fera entrer le lecteur CD en mode pause au point d'insertion mémorisé. Le fait de tenir le doigt sur la touche **CUE/** change la fonction **CUE/PREVIEW (12)** en **PREVIEW** (ce qui vous permettra d'écouter la musique au rythme que vous avez réglé en tenant le doigt sur la touche **CUE**). La libération de la touche Cue vous renvoie au point Cue préréglé.

SEARCH (FOLDER/FILE) : Les touches **SEARCH (13)** s'utilisent pour aller en avant ou en arrière dans le mode lecture ou pause. Dans l'utilisation du **MODE MP3** la **SEARCH (13)** se bouton pour regarder que **FOLDER/FILE (13)** est lu. Serrez la **CHEMISE** pour regarder une chemise, puis serrez le **DOSSIER** pour regarder le dossier de la chemise choisie. Si la **JOG WHEEL (22)** est en **MODE DE VOIE** les boutons de **FOLDER/FILE (13)** correspondront quelle **CHEMISE** ou **DOSSIER** est regardé, la **TRACK SEARCH (14)** bouton également le fuction comme la **JOG WHEEL (22)**. Voir la section sur **INSTRUCTIONS CUE** pour de plus amples info.

TRACK SEARCH : Les touches **TRACK SEARCH (14)** vous permettent de choisir la piste à écouter.

TIME: Le **TIME (15)** (bouton de réglage de temps) assure la commutation de l'affichage du temps entre trois choix disponibles qui figurent sur la **DISPLAY (9)**.

STOP : Le **STOP (16)** (le bouton d'arrêt) fera cesser la lecture du CD.

SINGLE AUTO CUE/CONTINUOUS: Le fait d'appuyer sur la touche **SINGLE AUTO CUE/CONTINUOUS (17)** activera la fonction **AUTO CUE**. Cette fonction met l'appareil au repos au début de la chanson de la piste suivante et elle vous permet de reproduire immédiatement dès le début de la chanson sans espace en blanc (qui existe au début de chaque piste). Le fait d'appuyer une seconde fois sur la touche **SINGLE AUTO CUE/CONTINUOUS (17)** activera la fonction **CONTINUOUS (EN CONTINU)** ce qui fera jouer l'appareil sans interruption (après la dernière piste, l'appareil retournera à la première piste du disque et continuera à jouer). Le fait d'appuyer une troisième fois sur la touche **SINGLE AUTO CUE/CONTINUOUS (17)** désactive la fonction **CONTINUOUS**.

FLY CUE: La fonction **FLY CUE (18)** vous permet d'introduire des points de repère en un clin d'oeil en appuyant sur une touche. Appuyez sur la touche **FLY CUE (18)** au point où vous voulez introduire le point de repère (l'appareil continuera à jouer). Maintenant, le point de repère est mémorisé. Appuyez sur la touche **CUE/PREVIEW (12)** pour revenir au point de repère mémorisé. Appuyez sur la touche **PLAY/PAUSE (11)**; l'appareil commencera la lecture instantanément à partir de l'endroit sélectionné.

B/EXIT: Après avoir mémorisé un point de référence, le fait de presser la touche **B/EXIT (19)** dans le mode de lecture, répète la partie entre le point de référence et le point où la touche **B/EXIT (19)** a été pressée. Pressez la touche **B/EXIT (19)** de nouveau ou mettez la lecture sur pause pour **QUITTER** la lecture répétée.

B-EDIT: Après qu'une **BOUCLE** ait été apprise par coeur vous pouvez changer la longueur de la **BOUCLE** par la pression **B-ÉDIT (20)** puis l'utilisation **JOG WHEEL (22)** d'ajuster la longueur. Pour sortir éditez la pression de mode **B-EDIT (20)** encore.

RETURN: La touche **RETURN (21)** a deux fonctions. Pour revenir à la boucle mémorisée antérieurement de la lecture normale, appuyez sur la touche **RETURN (21)** après avoir mémorisé la boucle. Pour revenir au **POINT DE REPÈRE** précédemment mémorisé et pour commencer la lecture immédiate à partir de ce point, appuyez sur la touche **RETURN (21)** après avoir établi le **POINT DE REPÈRE** (si aucune boucle n'est mémorisée).

JOG WHEEL: La **JOG WHEEL (22)** a deux modes: Modes de **MUSIQUE** et de **VOIE**. Serrez le **MODE DE JOG (23)** pour changer entre les modes. Dans le mode de musique vous pouvez utiliser la **ROUE INTÉRIEURE** pour faire des ajustements fins en mode de **PAUSE** pour **POSITIONNER** et pour plier le lancement pour la synchronisation précise en mode de jeu. Utilisez la **ROUE EXTERNE** pour la recherche rapide juste comme les boutons de la **SEARCH (13)**. En mode de **VOIE** la **ROUE INTÉRIEURE** sautera quelques voies comme vous faites tourner la roue, et la **ROUE EXTERNE** sautera par beaucoup de voies quand faite tourner.

PITCH: Le fait d'appuyer sur le **PITCH (25)** active la section du ton de l'appareil. Le ton du

CD changera selon la position occupée par la commande du ton **PITCH SLIDE (27)**.

PITCH BEND \pm : Le fait d'appuyer sur les **PITCH BEND (26)** accélérera automatiquement la vitesse de lecture de +4% ou la réduira automatiquement de -4% par rapport au réglage existant. Le fait de relâcher les touches permet de retrouver instantanément le réglage de base. Vous pouvez utiliser cette fonction pour caler la vitesse de lecture lorsque vous mixez des morceaux différents.

VPS (VARIABLE PITCH SELECTOR) 4%, 12% & 24%: Utilisez les touches de **VPS (28)** pour assigner le pourcentage qu'aura la glissière de commande de la hauteur. La touche de 4% assignera +/-4% à la glissière; la touche de 12%, assignera 12% à la glissière, et la touche de 24%, 24%. Le **PITCH (25)** doit se trouver sur ON pour que les touches de **VPS (28)** puissent marcher.

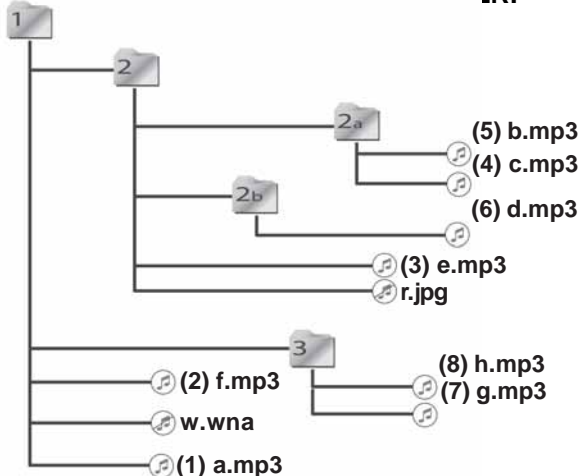
CONSIGNES D'EXPLOITATION:

1. Assurez-vous que le **VOLTAGE SELECTOR (1)** qui se trouve sur le panneau arrière, est mis sur la tension appropriée. Branchez l'appareil et appuyez sur le **POWER (6)**. L'appareil sera sous tension. Le fait d'appuyer sur le **POWER (6)** une deuxième fois mettra l'appareil hors tension.
2. Appuyez sur le **OPEN/CLOSE (8)** (bouton ouvert/fermé), placez un CD sur le **DISC TRAY (7)** et appuyez sur le **OPEN/CLOSE (8)** de nouveau. Le plateau se fermera dans l'appareil.
3. Appuyez sur les **TRACK SEARCH (14)** pour choisir la piste que vous désirez jouer.
4. Appuyez sur le **PLAY/PAUSE (11)** bouton et l'appareil jouera instantanément.

ORDRE DE LA LECTURE POUR LES DOSSIERS MP3:

Tous les dossiers **MP3** doivent avoir la prolongation *.mp3. S'il n'y a aucun dossier avec les prolongements de *.mp3 ou le **MP3000X** ne peuvent pas lire le système de fichiers correctement que le joueur CD n'indiquera **NO DISC** et le segment **MP3** dans le bon coin de l'affichage d'affichage à cristaux liquides clignotera. Si un dossier a le non prolongation de *.mp3, il sera sauté, pendant la lecture de système de fichiers. (voir les dossiers de **w.wna** et de **r.jpg** dans le diagramme). Le format d'**UDF** n'est pas soutenu. Pour **MP3** classe avec des peu-taux adaptatifs, écoulé et reste indication de temps sera imprécis. Le **MPX-3** jouera seulement la première session des voies sur un CD qui a été enregistré en mode de **MULTISESSION** et **MIXED**.

DIAGRAMME TÉMOIN DE FILE/FOLDER:



Ordre de la lecture pour les dossiers **MP3**: **a.mp3, f.mp3, e.mp3, c.mp3, b.mp3, d.mp3, g.mp3, h.mp3**.

CONSIGNES D'INSERTION:

Pour utiliser **FLY CUE (18)** afin d'introduire le point de repère, suivez les instructions ci-après:

1. L'appareil étant en mode lecture (la DEL lecture/pause verte s'allume), appuyez sur la touche **FLY CUE (18)** au point où vous voulez introduire le point de repère. Appuyez sur la touche **CUE/PREVIEW (12)** pour revenir au point de repère mémorisé. Appuyez sur la touche **PLAY/PAUSE (11)**; l'appareil commencera la lecture instantanément à partir de l'endroit sélectionné.

ET/OU:

1. Pour mémoriser l'endroit à partir duquel vous voulez commencer la lecture, choisissez la piste correcte, et appuyez ensuite sur la touche **PLAY/PAUSE (11)** de sorte que l'appareil passe en mode lecture (la DEL lecture/pause verte s'allume). Écoutez le CD et lorsqu'il s'approche de l'endroit approximatif, appuyez sur la touche **PLAY/PAUSE (11)** de sorte que l'appareil passe en mode pause (la DEL lecture/pause verte clignotera). Déplacez le **JOG WHEEL (22)** ou les touches **SEARCH (13)**, sur l'endroit précis à partir duquel vous voulez commencer la lecture et appuyez sur la touche **PLAY/PAUSE (11)** pour mémoriser le point d'insertion. Pour **MP3** les disques utilisent la **ROUE INTÉRIEURE** pour trouver la tache précise. (vous n'entendrez pas la musique quand déplaçant la **ROUE EXTERNE**). Appuyez sur la touche **CUE/PREVIEW (12)** pour revenir au point d'insertion ou de repère mémorisé. Appuyez sur la touche **PLAY/PAUSE (11)** et l'appareil commencera la lecture à partir de l'endroit sélectionné.

NOTE : DANS LE MODE MP3 QUE LA SEARCH (13) BOUTONNE LA FONCTION COMME MODE DE FILE/FOLDER, UTILISEZ LA ROUE D'ESSAI POUR POSITIONNER PRÉCIS.

2. Pour régler le point d'insertion mémorisé avec grande précision, appuyez sur la touche **PLAY/PAUSE (11)** de sorte que l'appareil passe en lecture (la DEL lecture/pause verte s'allume) et écoutez soigneusement jusqu'au point de départ. Appuyez sur la touche **CUE** et l'appareil passera en mode pause (la DEL lecture/pause verte clignote) et le lecteur CD reviendra au point d'insertion mémorisé antérieurement. Si vous décidez que ce point est satisfaisant, ne touchez plus à l'appareil jusqu'à ce que vous soyez prêt pour la lecture.
3. L'appareil commencera la lecture instantanément à partir de l'endroit choisi. Si le point choisi ne se trouve pas à l'endroit que vous désirez, et l'appareil étant en mode de lecture, il suffit d'appuyer sur la touche **CUE/PREVIEW (12)**. L'appareil reviendra au point choisi antérieurement et passera en mode de pause. Localisez la tache exacte sur le CD auquel vous voulez que le jeu commence par faire tourner la **JOG WHEEL (22)** ou à l'aide des boutons de la **SEARCH (13)**. Après avoir localisé l'endroit, appuyez sur la touche **PLAY/PAUSE (11)** pour mémoriser le nouveau point d'insertion. Appuyez sur la touche **CUE/PREVIEW (12)** pour mettre la lecture au repos au nouveau point d'insertion mémorisé.

INSTRUCTIONS ROBO START:

EN SINGLE AUTO CUE MODE:

Utilisez **ROBO START (29)** en **SINGLE AUTO** mode pour faire alterner la lecture entre les deux côtés du lecteur CD (une piste d'un côté, puis une piste de l'autre). En **SINGLE AUTO CUE** mode, la lecture commence immédiatement depuis le début de la musique sans espace vierge (qui existent au début de chaque piste). Le **ROBO START (29)** fait jouer un côté du lecteur CD tandis que l'autre est au repos (**PAUSE**).

1. Activez le mode **SINGLE AUTO CUE** à l'aide de la touche **SINGLE AUTO CUE/CONTINUOUS (17)**.
2. Appuyez sur la touche **ROBO START (29)** pour activer **ROBO START**. La lecture se produira alternativement entre les deux côtés du lecteur CD. À la fin de la piste, le côté lecture sera mis au repos et la lecture commencera sur l'autre. À la fin de cette piste, le côté lecture sera mis au repos et la lecture commencera sur l'autre.

REMARQUE: LA MISE AU REPOS DU CÔTÉ LECTURE AU MILIEU DE LA PISTE PRODUIRA LA LECTURE DE L'AUTRE CÔTÉ. À LA CONCLUSION DE CETTE PISTE, LA LECTURE COMMENCERA PARTIR DU MILIEU LA PISTE OÙ LA LECTURE AVAIT ÉTÉ INTERROMPUE.

EN MODE CONTINU OU DURANT LA LECTURE NORMALE:

Si vous utilisez **ROBO START** sans mode **SINGLE AUTO CUE** (en **MODE CONTINU** ou durant la lecture normale), la lecture ne sera pas alternée automatiquement. Le fait d'appuyer sur pause sur le côté lecture fera commencer la lecture de l'autre côté.

1. Durant la lecture normale, placez un point d'insertion/de repère sur l'autre côté du lecteur CD.
2. Appuyez sur la touche **ROBO START (29)** pour activer **ROBO START (29)** (la touche clignotera).
3. Appuyez sur la touche **PLAY/PAUSE (11)** sur le côté lecture pour commencer la lecture à partir du point d'insertion sur l'autre côté.

DÉPANNAGE:

- Si le disque ne joue pas, vérifiez si le disque a été chargé convenablement (étiquette en haut). Vérifiez également si le disque ne contient pas trop de saletés, égratignures, etc.
- Si le disque tourne mais il n'y a pas de son, vérifiez le branchement des câbles. S'il n'y a rien d'anormal, contrôlez votre amplificateur ou récepteur.
- Si le disque compact saute, contrôlez le disque pour la présence de saletés ou d'égratignures. Ne supposez pas que le lecteur DC est défectueux. De nombreux DC sont enregistrés en dehors des spécifications et ils sauteront sur la plupart ou sur tous les lecteurs DC. Avant d'envoyer l'appareil pour réparation, essayer de jouer un DC dont vous êtes certain qu'il joue convenablement.

REMARQUE: SELON LES CONDITIONS OU L'ÉTAT DES APPAREILS D'ENREGISTREMENT OU DU DISQUE CD-R/RW MÊME, IL EST IMPOSSIBLE DE REPRODUIRE CERTAINS DISQUES CD-R/RW.

SPÉCIFICATIONS TECHNIQUES:

GÉNÉRALITÉS:

Type.....	Lecteur de disque compact
Disc Type.....	Disques compacts standard, Texte Du Disque MP3, CD-R, CD-RW (12 cm & 8 cm)
Affichage temps.....	Piste écoulée, piste restante ou total restant
Démarrage instantané.....	En 0.015 secondes
Choix de piste.....	de 1 à 999 pistes.
Installation.....	(3U Télécommande / 2U Unité principale) 19"/482mm chacun
Dimensions.....	Télécommande-W 19" x H 5 3/16" x D 1 5/8" (482x35x38) Unité principale-W 19" x H 3.5" x D 10" (482x88x254)
Poids (chacun).....	Remote Control-3.5 lbs (1.5 kg) / Main Unit-9.5 lbs. (4.3 kg)

SECTION AUDIO:

Bit mises.....	32-320 kbps
Quantification.....	Canal/linéaire 16, laser à 3 rayons
Taux de suréchantillonnage.....	8 fois
Fréquence d'échantillonnage.....	44.1 KHz
Réponse de fréquences.....	20 Hz à 20 KHz
Distorsion harmonique.....	Moins de 0.05 %
Rapport signal/bruit.....	104 dB
Dynamique de mesure.....	98 dB
Séparation des canaux.....	90 db (1 KHz)
Niveau de sortie.....	1.9 volts R.M.S. (efficacité)
Alimentation électrique.....c.a. 115/230V, 60/50Hz

LES CARACTÉRISTIQUES DE L'APPAREIL SONT SUJETS À DES MODIFICATIONS SANS AUCUNS PRÉAVIS.



IN THE USA: IF YOU EXPERIENCE PROBLEMS WITH THIS UNIT, CALL 1-732-738-9003 FOR GEMINI CUSTOMER SERVICE. DO NOT ATTEMPT TO RETURN THIS EQUIPMENT TO YOUR DEALER.

Parts of the design of this product may be protected by worldwide patents. Information in this manual is subject to change without notice and does not represent a commitment on the part of the vendor. Gemini Sound Products Corp. shall not be liable for any loss or damage whatsoever arising from the use of information or any error contained in this manual. No part of this manual may be reproduced, stored in a retrieval system or transmitted, in any form or by any means, electronic, electrical, mechanical, optical, chemical, including photocopying and recording, for any purpose without the express written permission of Gemini Sound Products Corp. It is recommended that all maintenance and service on this product is performed by Gemini Sound Products Corp. or its authorized agents. Gemini Sound Products Corp. will not accept liability for loss or damage caused by maintenance or repair performed by unauthorized personnel.



**Worldwide Headquarters • 120 Clover Place, Edison, NJ 08837 • USA
Tel: (732) 738-9003 • Fax: (732) 738-9006**

France • Gemini France (GSL) • 1, Allee d'Effiat, Parc de l'Événement, 91160 Longjumeau, France
Tél: + 33 1 69 79 97 70 • Fax: + 33 1 69 79 97 80

Germany • Gemini Sound Products GmbH • Liebigstr. 16, Haus B - 3.0G, 85757 Karlsfeld, Germany
Tel: 08131 - 39171-0 • Fax: 08131 - 39171-9

UK • Gemini Sound Products • Unit C4 Hazleton Industrial Estate, P08 9JU Waterlooville, UK
Tel: 087 087 00880 • Fax: 087 087 00990

Spain • Gemini Sound Products S.A. • Rosello, 516, 08026 Barcelona, Spain,
Tel: 349-3435-0814 • Fax: 3493-347-6961

© Gemini Sound Products Corp. 2004 All Rights Reserved.

Free Manuals Download Website

<http://myh66.com>

<http://usermanuals.us>

<http://www.somanuals.com>

<http://www.4manuals.cc>

<http://www.manual-lib.com>

<http://www.404manual.com>

<http://www.luxmanual.com>

<http://aubethermostatmanual.com>

Golf course search by state

<http://golfingnear.com>

Email search by domain

<http://emailbydomain.com>

Auto manuals search

<http://auto.somanuals.com>

TV manuals search

<http://tv.somanuals.com>