

TT-01

BELT-DRIVE STRAIGHT ARM TURNTABLE
PLATTENSPIELER MIT RIEMENANTRIEB UND GERADEM TONARM
GIRADISCOS DE BRAZO RECTO TRACCIÓN POR CORREA
PLATINE VINYLE AVEC ENTRAÎNEMENT PAR COURROIE ET BRAS DROIT

OPERATIONS MANUAL
BEDIENUNGSHANDBUCH
MANUAL DEL OPERADOR
MANUEL D'INSTRUCTIONS



01



MULTI LANGUAGE INSTRUCTIONS

ENGLISH.....	PAGE 4
DEUTSCH.....	PAGE 6
ESPAÑOL.....	PAGE 8
FRANCAIS.....	PAGE 10

PLEASE READ BEFORE USING APPLIANCE, IMPORTANT WARNING & SAFETY INSTRUCTIONS!



CAUTION
RISK OF ELECTRICAL SHOCK DO NOT OPEN!



CAUTION: This product satisfies FCC regulations when shielded cables and connectors are used to connect the unit to other equipment. To prevent electromagnetic interference with electric appliances such as radios and televisions, use shielded cables and connectors for connections.

The exclamation point within an equilateral triangle is intended to alert the user to the presence of important operating and maintenance (servicing) instructions in the literature accompanying the appliance.

The lightning flash with arrowhead symbol, within an equilateral triangle, is intended to alert the user to the presence of uninsulated "dangerous voltage" within the product's enclosure that may be of sufficient magnitude to constitute a risk of electric shock to persons.

READ INSTRUCTIONS: All the safety and operating instructions should be read before the product is operated.

RETAIN INSTRUCTIONS: The safety and operating instructions should be retained for future reference.

HEED WARNINGS: All warnings on the product and in the operating instructions should be adhered to.

FOLLOW INSTRUCTIONS: All operating and use instructions should be followed.

CLEANING: The product should be cleaned only with a polishing cloth or a soft dry cloth. Never clean with furniture wax, benzene, insecticides or other volatile liquids since they may corrode the cabinet.

ATTACHMENTS: Do not use attachments not recommended by the product manufacturer as they may cause hazards.

WATER AND MOISTURE: Do not use this product near water, for example, near a bathtub, wash bowl, kitchen sink, or laundry tub; in a wet basement; or near a swimming pool; and the like.

ACCESSORIES: Do not place this product on an unstable cart, stand, tripod, bracket, or table. The product may fall, causing serious injury to a child or adult, and serious damage to the product. Use only with a cart, stand, tripod, bracket, or table recommended by the manufacturer, or sold with the product. Any mounting of the product should follow the manufacturer's instructions, and should use a mounting accessory recommended by the manufacturer.

CART: A product and cart combination should be moved with care. Quick stops, excessive force, and uneven surfaces may cause the product and cart combination to overturn. See **Figure A**.

VENTILATION: Slots and openings in the cabinet are provided for ventilation and to ensure reliable operation of the product and to protect it from overheating, and these openings must not be blocked or covered. The openings should never be blocked by placing the product on a bed, sofa, rug, or other similar surface. This product should not be placed in a built-in installation such as a bookcase or rack unless proper ventilation is provided or the manufacturer's instructions have been adhered to.

POWER SOURCES: This product should be operated only from the type of power source indicated on the marking label. If you are not sure of the type of power supply to your home, consult your product dealer or local power company.

LOCATION: The appliance should be installed in a stable location.

NON-USE PERIODS: The power cord of the appliance should be unplugged from the outlet when left unused for a long period of time.

GROUNDING OR POLARIZATION:

- If this product is equipped with a polarized alternating current line plug (a plug having one blade wider than the other), it will fit into the outlet only one way. This is a safety feature. If you are unable to insert the plug fully into the outlet, try reversing the plug. If the plug should still fail to fit, contact your electrician to replace your obsolete outlet. Do not defeat the safety purpose of the polarized plug.
- If this product is equipped with a three-wire grounding type plug, a plug having a third (grounding) pin, it will only fit into a grounding type power outlet. This is a safety feature. If you are unable to insert the plug into the outlet, contact your electrician to replace your obsolete outlet. Do not defeat the safety purpose of the grounding type plug.

POWER-CORD PROTECTION: Power-supply cords should be routed so that they are not likely to be walked on or pinched by items placed upon or against them, paying particular attention to cords at plugs, convenience receptacles, and the point where they exit from the product.

OUTDOOR ANTENNA GROUNDING: If an outside antenna or cable system is connected to the product, be sure the antenna or cable system is grounded so as to provide some protection against voltage surges and built-up static charges. Article 810 of the National Electrical Code, ANSI/NFPA 70, provides information with regard to proper grounding of the mast and supporting structure, grounding of the lead-in wire to an antenna discharge unit, size of grounding conductors, loca-

tion of antenna-discharge unit, connection to grounding electrodes, and requirements for the grounding electrode. See **Figure B**.

LIGHTNING: For added protection for this product during a lightning storm, or when it is left unattended and unused for long periods of time, unplug it from the wall outlet and disconnect the antenna or cable system. This will prevent damage to the product due to lightning and power-line surges.

POWER LINES: An outside antenna system should not be located in the vicinity of overhead power lines or other electric light or power circuits, or where it can fall into such power lines or circuits. When installing an outside antenna system, extreme care should be taken to keep from touching such power lines or circuits as contact with them might be fatal.

OVERLOADING: Do not overload wall outlets, extension cords, or integral convenience receptacles as this can result in a risk of fire or electric shock.

OBJECT AND LIQUID ENTRY: Never push objects of any kind into this product through openings as they may touch dangerous voltage points or short-out parts that could result in a fire or electric shock. Never spill liquid of any kind on the product.

SERVICING: Do not attempt to service this product yourself as opening or removing covers may expose you to dangerous voltage or other hazards. Refer all servicing to qualified service personnel.

DAMAGE REQUIRING SERVICE: Unplug this product from the wall outlet and refer servicing to qualified service personnel under the following conditions:

- When the power-supply cord or plug is damaged.
- If liquid has been spilled, or objects have fallen into the product.
- If the product has been exposed to rain or water.
- If the product does not operate normally by following the operating instructions. Adjust only those controls that are covered by the operating instructions as an improper adjustment of other controls may result in damage and will often require extensive work by a qualified technician to restore the product to its normal operation.
- If the product has been dropped or damaged in any way.
- When the product exhibits a distinct change in performance, this indicates a need for service.

REPLACEMENT PARTS: When replacement parts are required, be sure the service technician has used replacement parts specified by the manufacturer or have the same characteristics as the original part. Unauthorized substitutions may result in fire, electric shock, or other hazards.

SAFETY CHECK: Upon completion of any service or repairs to this product, ask the service technician to perform safety checks to determine that the product is in proper operating condition.

WALL OR CEILING MOUNTING: The product should not be mounted to a wall or ceiling.

HEAT: The product should be situated away from heat sources such as radiators, heat registers, stoves, or other products (including amplifiers) that produce heat.



Fig. A

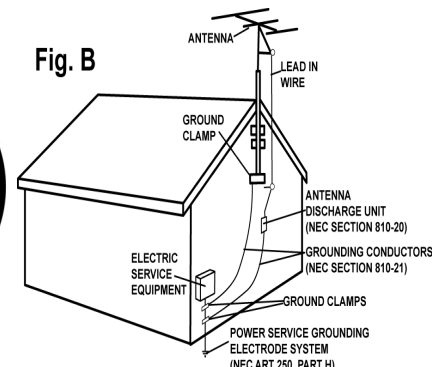


Fig. B

NEC — NATIONAL ELECTRICAL CODE

TT-01

FIG.1

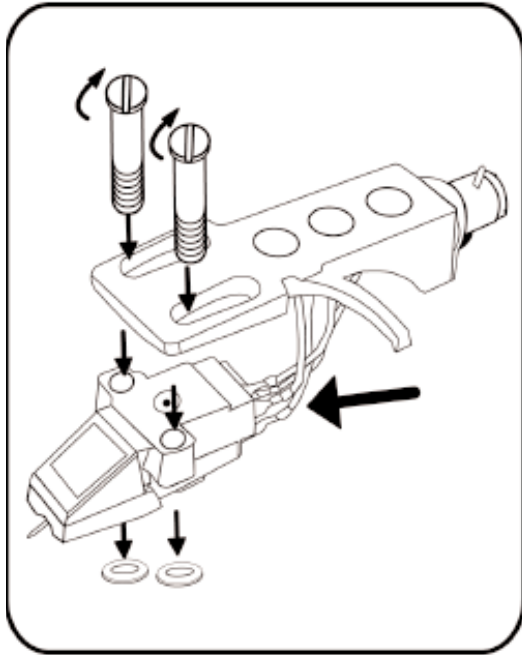


FIG.2

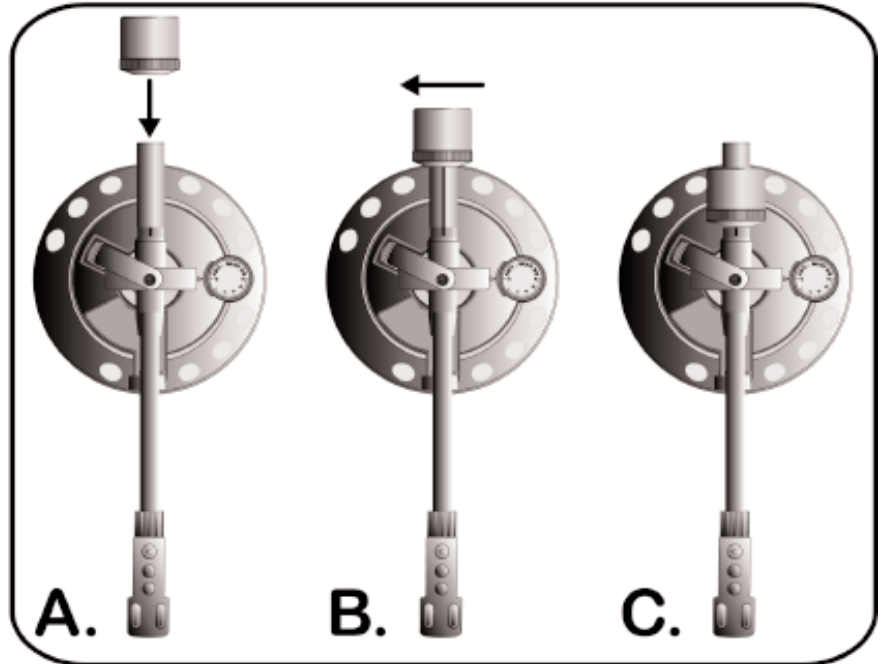


FIG.3



INTRODUCTION:

Congratulations on purchasing a **Gemini TT-01 belt drive manual turntable**. This state of the art turntable includes the latest features. Prior to use, we suggest that you carefully read all the instructions.

FEATURES

- +/-10% Variable pitch slider
- Solid aluminum platter
- Straight tonearm for superior tracking
- Fully adjustable counter weight & anti-skating controls
- Dual speed RPM (33/45)
- LED Illuminated soft touch start/stop & RPM buttons
- Removable head shell
- CN-25 cartridge & felt slipmat included
- RCA & ground cables

PRECAUTIONS:

1. Read all operating instructions before using this equipment.
2. The apparatus should not be exposed to dripping or splashing, and no objects filled with liquids such as vases should be placed on the apparatus.
3. To reduce the risk of electrical shock, do not open the unit. **THERE ARE NO USER REPLACEABLE PARTS INSIDE.** Please contact the Gemini Service Department or your authorized dealer to speak to a qualified service technician.
4. Tone Arm bearings are factory set and sealed. Any attempt at adjustment will void the warranty.
5. Be sure that all AC power is **OFF** while making connections.
6. Cables should be low capacitance, shielded and of proper length. Make sure that all plugs and jacks are tight and properly connected.
7. Always, begin with the audio level faders/volume controls set at minimum and the speaker volume control(s) set to **OFF**. Wait 8 to 10 seconds prior to turning up the speaker volume to prevent the transient "POP" that could result in speaker/crossover damage.
8. **DO NOT EXPOSE THIS UNIT TO RAIN OR MOISTURE.**
9. **DO NOT USE ANY SPRAY CLEANER OR LUBRICANT ON ANY CONTROLS OR SWITCHES.**

PARTS CHECKLIST:

Please make sure the following parts are included with your TT-01:

Turntable unit.....	1
Turntable platter.....	1
Slipmat.....	1
Counterweight.....	1
Headshell with cartridge.....	1

ASSEMBLY & SET-UP:

SEE FIG. 3 FOR PART NUMBERS AND LOCATIONS.

VOLTAGE SELECTION:

Rotate the **PLATTER (2)** until the **VOLTAGE SELECTOR (3)** (located on the **TURNTABLE BASE (1)**) is visible through one of the platter holes. Make sure that the **VOLTAGE SELECTOR (3)** switch is set to the correct voltage.

WARNING: IF YOU TRY TO OPERATE THE TURNTABLE WITH THE INCORRECT VOLTAGE SETTING, IT CAN DAMAGE YOUR TURNTABLE.

ATTACHING THE TURNTABLE BELT:

The **TURNTABLE BELT (4)** comes attached to the underside of the **PLATTER (2)** and the **MOTOR SPINDLE (5)** but can some times detach in shipping. Rotate the **PLATTER (2)** and look through the platter holes to check if belt detached. If the belt is not wrapped tightly around the platter and the **MOTOR SPINDLE (5)**, you need to reattach it.

1. Remove the platter and wrap the belt around the inner circle under the platter. **DO NOT STRETCH OUT THE BELT!**

2. Replace the platter and rotate the **PLATTER (2)** until the **MOTOR SPINDLE (5)** is visible, then fit your fingers in hole on the top of the **PLATTER (2)**, feel for and grab the rubber belt and attach to the motor spindle.

3. Replace the locking washer.

TURNTABLE INSTALLATION:

1. Put the **SLIPMAT (6)** on the **PLATTER (2)**.
2. Set the **TURNTABLE BASE (1)** on a flat, level surface free of vibration. Use the turntable feet to stabilize the unit horizontally.
3. Try to place the unit as far away from the speakers as possible.
4. Keep the unit away from direct exposure to the sun, heat, moisture or dirt.
5. Keep the unit well ventilated.

CARTRIDGE INSTALLATION: (SEE FIG. 1)

Because all cartridges have their own designs, please refer to your particular cartridge's instructions to insure proper installation. If you are using a pre-mounted or integrated cartridge, you can jump ahead to **HEADSHELL INSTALLATION:**

1. Connect the lead wires to the cartridge terminals. For your convenience, the terminals of most cartridges are color-coded. Connect each lead wire to the terminal of the same color. In case your cartridge is not marked the positive leads are the ones on top negative below, left are left, and right is right.

White (L+).....Left Channel +
Blue (L-).....Left Channel -
Red (R+).....Right Channel +
Green (R-).....Right Channel -

2. Mount the cartridge in the **HEADSHELL (7)** and tighten it with the screws included with the cartridge.

HEADSHELL INSTALLATION:

Insert the **HEADSHELL (7)** into the front of the tubular **TONE ARM (9)**. While holding the **HEADSHELL (7)** firmly in a horizontal position, turn the **LOCKING NUT (8)** counter clockwise until the **HEADSHELL (7)** is locked in place.

COUNTERWEIGHT INSTALLATION: (SEE FIG. 2)

1. Slide the **COUNTERWEIGHT (10)** onto the rear of the **TONE ARM (9)** with the numbered stylus gauge facing forward.
2. Twist the **COUNTERWEIGHT (10)** counter clockwise lightly, to screw it onto the rear of the **TONE ARM (9)**.

ADJUSTING HORIZONTAL ZERO (0) BALANCE AND STYLUS PRESSURE:

1. Without touching the stylus tip, remove the stylus protector (if your cartridge has a detachable one).
2. Release the **ARM CLAMP (12)** and lift the **TONE ARM (9)** off the **ARM REST (13)**.
3. Counter clockwise advancement of the **COUNTERWEIGHT (10)** will cause the cartridge side of the **TONE ARM (9)** to be lowered; turning it clockwise will cause the opposite. Turn the **COUNTERWEIGHT (10)** clockwise or counter clockwise as needed until the **TONE ARM (9)** is balanced horizontally. You can easily tell this by watching for the point where the **TONE ARM (9)** "floats" freely.
4. Place **TONE ARM (9)** on **ARM REST (13)** and lock it in place with the **ARM CLAMP (12)**.
5. With the **TONE ARM (9)** locked on the **ARM REST (13)**, hold the **COUNTERWEIGHT (10)** steady with one hand while rotating the **STYLUS PRESSURE RING (11)** until the numeral "0" on the ring aligns with the center line on the **TONE ARM (9)** rear shaft. The horizontal zero (0) balance should be completed.

6. Re-float the **TONE ARM** (9) to ensure horizontal zero (0) balance. If zero balance has not been maintained, repeat counterweight steps 3 - 5.

7. After adjusting the horizontal zero (0) balance, turn the balanced **COUNTERWEIGHT** (10) counter clockwise until the cartridge manufacturer's recommend stylus pressure appears on the **STYLUS PRESSURE RING** (11) where it meets the center line of the **TONE ARM** (9) rear shaft.

ADJUSTING THE ANTI-SKATING CONTROL:

Set the **ANTI-SKATING CONTROL** (14) to the same value as the stylus pressure.

NOTE: IF YOUR TURNTABLE CAME WITH A CN-25 CARTRIDGE, IT HAS A RECOMMENDED TRACKING FORCE OF 3.0 GRAMS AND CAN HAVE RANGE FROM 2.5-3.5 GRAMS.

CONNECTIONS:

1. Plug the AC power plug into an appropriate outlet.
2. See Table A for proper connection of the output RCA plugs and ground connector. Make sure that all the plugs are firmly plugged into the appropriate jacks (phono inputs).

NOTE: TO REDUCE HUM, MAKE SURE THE GROUND LUG IS FIRMLY CONNECTED TO THE GROUND SCREW.

TABLE A:

OUTPUT CONNECTORS	MIXER OR RECEIVER
L (WHITE)	PHONO L CHANNEL
R (RED)	PHONO R CHANNEL
GND (Spade Lug)	GND Screw

OPERATING INSTRUCTIONS:

BASIC OPERATION:

1. Place a record on the **SLIPMAT** (6) which sits on the **PLATTER** (2).
2. Select the desired speed by depressing the **33** or **45 SPEED SELECTOR** (18) button.
3. Turn the **POWER** (15) switch to the "ON" position, at which point the **TARGET LIGHT** (16) will light up, **TARGET LIGHTS** are an optional accessory available at your local retailer.
4. Remove the stylus protector (if applicable to your cartridge).
5. Release the **ARM CLAMP** (12) found on the **ARM REST** (13).

6. Push the **START/STOP** (17) button. The turntable **PLATTER** (2) will start to spin.

7. Carefully position the tone arm over the desired position over the record. Lower the **TONE ARM** (9) slowly, while letting go of the **TONE ARM** (9) over the record where you want to play.

8. When play is over, raise the **TONE ARM** (9), move it onto the **ARM REST** (13), and secure it with the **ARM CLAMP** (12).

9. You now have the option of turning off the power by turning the **POWER** (15) switch to the "OFF" position, or stopping the **PLATTER** (2) by pushing the **START/STOP** (17) button.

INTERRUPTING PLAY:

1. Pushing the **START/STOP** (17) button will cause the record to stop exactly when the **START/STOP** (17) button is pressed while playing.
2. Press the **START/STOP** (17) button again to start playback with a short **DELAY** effect.

ADJUSTING THE PITCH CONTROL:

1. The **TT-01** is equipped with a **PITCH CONTROL** (19). When the **PITCH CONTROL** (19) is in the center position, the speed will be 33 or 45 depending on which **SPEED SELECTOR** (18) button is pushed.
2. When the **PITCH CONTROL** (19) is positioned off center, the pitch can vary $\pm 10\%$ depending on the position of the **PITCH CONTROL** (19).

SPECIFICATIONS:

TURNTABLE SECTION:

Type.....Belt Drive Manual Turntable
 Drive Method.....Belt Drive
 Motor.....DC Motor
 Speed.....33 1/3 or 45 RPM
 Wow and Flutter.....Less than 0.25% WRMS*
 *THIS RATING REFERS TO THE TURNTABLE ASSEMBLY AND PLATTER ONLY AND EXCLUDES EFFECTS OF RECORDS, CARTRIDGES OR TONEARMS.

TONEARM SECTION:

Type.....Statically Balanced Straight Tonearm
 Headshell Weight.....5.6 g

GENERAL:

Power Supply.....AC 115/230V~ 60/50Hz
 Power Consumption.....5 Watts
 Dimensions.....17.75" x 3.25" x 13.9"
(450.85 x 82.55 x 353.06 mm)
 Weight.....8 lbs. (3.75 kg)

SPECIFICATIONS ARE SUBJECT TO CHANGE WITHOUT NOTICE. THE WEIGHT AND DIMENSIONS SHOWN ARE APPROXIMATE.



EINLEITUNG:

Wir gratulieren Ihnen zum Kauf eines **Gemini TT-01 Plattenspieler**. Dieses hochentwickelte erstklassige Gerät enthält die neuesten Leistungsmerkmale. Vor Anwendung dieses Plattenspielers bitte alle Anweisungen sorgfältig durchlesen.

LEISTUNGSMERKMALE

- Pitchbereich +/- 10%
- Stabiler Aluminium Plattenteller
- Gerader Tonarm für bestes Abtastverhalten
- Tonarmgewicht und Antiskating einstellbar
- Zwei Geschwindigkeiten (33/45Upm)
- Soft-touch-Taster für Start/Stop und Drehzahlumschaltung mit LED
- Abnehmbares Head shell mit 1/2"- Normanschluß
- Inklusive CN-25 Tonabnehmersystem & Filz-Slipmat
- Cinchkabel mit Erdungsleitung

VORSICHTSMANAHMEN

1. Vor Anwendung dieses Geräts bitten alle Anweisungen sorgfältig durchlesen.
2. Das Gerät vor Tropfen und Spritzern schützen, und es dürfen keine mit Flüssigkeit gefüllte Behälter wie Vasen darauf gestellt werden.
3. Das Gerät nicht öffnen, um das Risiko elektrischen Schocks zu mindern. **ES ENTHÄLT KEINE VOM ANWENDER ERSETZBAREN TEILE.** Die Wartung darf nur von befähigten Wartungstechnikern durchgeführt werden.
4. Die Tonarmlager sind werkseingestellt und abgedichtet. Jegliche Änderungsversuche machen die Garantie ungültig.
5. Darauf achten, da beim Anschluß die Wechselstromleistung abgeschaltet ist.
6. Nur kapazitätsarme, abgeschirmte Kabel vorschriftsmäßiger Länge benutzen. Darauf achten, da alle Stecker und Buchsen fest angeschraubt und richtig angeschlossen sind.
7. Zu Beginn müssen die Tonpegelüberblender und Lautstärkenregler auf Mindeststärke eingestellt und der (die) Lautstärkenregler in **OFF**-Position geschaltet sein. Vor dem Lautstellen 8 bis 10 Sekunden warten, um den durch Einschwingung erzeugten Schroteffekt zu vermeiden, welches zu Lautsprecher- und Frequenzweichenschaden führen könnte.
8. **DIESES GERÄT NICHT REGEN ODER FEUCHTIGKEIT AUSSETZEN.**
9. **AN DEN REGLERN ODER SCHALTERN KEIN SPRAY-REINIGUNGSMITTEL ODER SCHMIERMITTEL BENUTZEN.**

TEILE-CHECKLIST:

Plattenspieler.....	1
Plattenteller.....	1
Plattentellerauflage.....	1
Balancegewicht.....	1
Tonkopf.....	1

ZUSAMMENBAU UND ANORDNUNG:

HINWEIS: SIEHE ABBILDUNG 3 FÜR TEILENUMMERN UND POSITIONEN.

SPANNUNGS-AUSWAHL:

Den **PLATTENTELLER - PLATTER (2)** rotieren bis den **SPANNUNGSWAHLER - VOLTAGE SELECTOR (3)** (befindet sich auf dem **PLATTENSPIELERCHASSIS - TURNTABLE BASE (1)**) sichtbar ist durch ein Loch des Plattentellers. Den **VOLTAGE SELECTOR (3)** auf der richtigen Spannung setzen.

WARNUNG: LASSEN SIE DEN PLATTER ROTIEREN MIT EINER FALSCHEN SPANNUNGSEINSTELLUNG, DANN KANN DER PLATTENSPIELER SICH BESCHÄDIGEN.

WIE MAN DEN PLATTENTELLERRIEMEN ANBRINGT:

Der **RIEMEN - TURNTABLE BELT (4)** wird am unteren Ende des **PLATTER (2)** und der **MOTORWELLE - MOTOR SPINDLE (5)** befestigt geliefert, kann sich manchmal aber beim Versand lösen. Den **PLATTER (2)** drehen und durch die Löcher im Plattentellerchassis blicken, um nachzuprüfen, ob der Riemen angebracht ist. Wenn der

Riemen nicht fest um das Plattentellerchassis und die **MOTORWELLE (5)** angelegt ist, muß er neu angelegt werden.

1. Das Plattentellerchassis abnehmen, und den Riemen um den inneren Ring unter das Plattentellerchassis legen. **DEN RIEMEN NICHT DEHNEN!**
2. Den **PLATTENTELLER - PLATTER (2)** aufsetzen und drehen, bis die Motorwelle sichtbar ist, dann die Finger in das Loch am oberen Plattentellerrand einführen und nach dem Gummiriemen tasten, diesen ergreifen und dann auf der Motorwelle anbringen.
3. Sie Sicherungsscheibe wieder einsetzen.

EINBAU DES PLATTENSPIELERS:

1. Den **PLATTENTELLERAUFLAGE - SLIPMAT (6)** auf den **PLATTENTELLER - PLATTER (2)** legen.
2. Setzen Sie das **PLATTENSPIELERCHASSIS - TURNTABLE BASE (1)** auf eine flache, ebene Fläche ohne Vibration. Es mit den Plattentellerfüßen horizontal lagefest machen.
3. Das Gerät so weit wie möglich von den Lautsprechern entfernt aufstellen.
4. Das Gerät von direktem Sonnenlicht, Wärme, Feuchtigkeit oder Schmutz fernhalten.
5. Das Gerät in gut belüfteter Umgebung aufstellen.

EINBAU DES TONABNEHMERS: (SIEHE ABBILDUNG 1)

Weil alle Tonabnehmer individuell ausgeführt sind, siehe jeweilige Anweisungen für Tonabnehmer, um richtigen Einbau sicherzustellen.

1. Die Zuleitungsdrähte an den Tonabnehmerklemmen anschließen. Um den Anschluß zu erleichtern, sind die meisten Tonabnehmerklemmen farbkodiert. Die Zuleitungsdrähte an den Klemmen der jeweiligen Farbkennzeichnung anschließen.

Weiß (L+).....linker Kanal +
Blau (L-).....linker Kanal -
Rot (R+).....rechter Kanal +
Grün (R-).....rechter Kanal -

2. Den Tonabnehmer in den **TONKOPF - HEADSHELL (7)** einbauen und mit den dem Tonabnehmer beigelegten Schrauben befestigen.

EINBAU DES TONKOPFES:

Den **TONKOPF - HEADSHELL (7)** in der Vorderseite des röhrenförmigen **TONARMS - TONE ARM (9)** einfügen. Beim Halten des **TONKOPFES** in horizontaler Position die **SICHERUNGSMUTTER - LOCKING NUT (8)** gegen den Uhrzeigersinn drehen, bis der **TONKOPF** einrastet.

EINBAU DES BALANCEGEWICHTS: (SIEHE ABBILDUNG 2)

1. Das **BALANCEGEWICHT - COUNTERWEIGHT (10)** auf den hinteren Teil des **TONARMS - TONE ARM (9)** schieben, wobei die numerierte Nadeldicke nach vorne gerichtet sein muss.
2. Das **COUNTERWEIGHT (10)** gering im Gegenuhrzeigersinn ziehen, um es auf den hinteren Teil des **TONARMS - TONE ARM (9)** zu schrauben.

HORIZONTALER NULLPUNKTABGLEICH UND REGULIERUNG DES AUFLAGEDRUCKS:

1. Ohne die Nadelspitze zu berühren, entfernen Sie den Nadelschutz (falls Ihr Tonabnehmer einen abnehmbaren Nadelschutz hat).
2. Die **TONARM-KLEMMSCHELLE - ARM CLAMP (12)** freigeben und den **TONARM - TONE ARM (9)** von der **TONARMAUFLAGE - ARM REST (13)** abheben.
3. Durch das Verdrehen gegen den Uhrzeigersinn des **BALANCEGEWICHTS - COUNTERWEIGHT (10)** wird die Tonabnehmerseite des **TONARMS - TONE ARM (9)** gesenkt. Beim Drehen im Uhrzeigersinn geschieht das Gegenteil. Das **BALANCEGEWICHT (10)** je nach Bedarf im oder gegen den Uhrzeigersinn drehen, bis der **TONARM (9)** horizontal ausbalanciert ist. Dies lässt sich leicht feststellen, indem man die Stelle beobachtet, woder **TONARM (9)** unbehindert "schwimmt".
4. Den **TONARM - TONE ARM (9)** auf die **TONARMAUFLAGE - ARM REST (13)** setzen und ihn mit der **TONARM-KLEMMSCHELLE - ARM CLAMP (12)** festklemmen.

5. Indem der **TON ARM** (9) auf der **ARM REST** (13) festgeklemmt ist, halten Sie das **COUNTERWEIGHT** (10) ruhig mit der Hand, während Sie den **STYLUS PRESSURE RING** (11) rotieren, bis sich die Ziffer "0" auf dem Ring mit der Mittellinie an der Hinterwelle des **TON-ARMS** (9) ausrichtet. Der horizontale Nullpunktgleich (0) ist nun abgeschlossen.

6. Den **TONARM** (9) erneut schwimmen lassen, um sicherzustellen, da der horizontale Nullpunktgleich (0) beibehalten wird. Wird er nicht beibehalten, wiederholen Sie Schritte 3 - 5.

7. Nach dem horizontalen **NULLPUNKTGLEICH** das abgegliche **COUNTERWEIGHT** (10) gegen den Uhrzeigersinn drehen, bis der vom Tonabnehmerhersteller empfohlene Auflagedruck auf dem **STYLUS PRESSURE RING** (11) erscheint, wo er mit der Mittellinie des **TONARM** (9) zusammentrifft.

REGULIERUNG DER ANTISKATING-VORRICHTUNG:

Die **ANTISKATING-VORRICHTUNG - ANTI-SKATING CONTROL** (14) auf den gleichen Wert wie den Auflagedruck einstellen.

ANMERKUNG: WENN IHRE DREHSCHIBE MIT EINER PATRONE CN-25 KAM, HAT SIE EIN RECOMMENDED, KRAFT VON 3,0 GRAMM AUFZUSPÜREN UND KANN STRECKE VON 2,5-3,5 GRAMM HABEN.

EINBAU DER ABDECKHAUBE:

1. Halten Sie die Abdeckhaube direkt über dem Plattenteller in Position und schieben die Scharniersockel in die Halterungen, die in die Rückwand montiert sind.

2. Vor dem Entfernen immer die Abdeckhaube anheben.

3. Es sollte vermieden werden, die Abdeckhaube während des Spielens zu öffnen und zu schließen. Dies könnte zu unerwünschten Vibrationen und Nadelspringen führen.

ANSCHLÜSSE:

1. Den Gleichstromleistungsstecker an einer geeigneten Buchse anschließen.

2. Siehe Tabelle A für vorschrittmäßige Anschlüsse der Ausgangs-**RCA** Stecker und des Erdungssteckers. Achten Sie darauf, da alle Stecker an den richtigen Buchsen fest angeschlossen sind (Phono-Eingänge). Um Brummtöne zu vermindern, ist darauf zu achten, da die Erdungöse fest an der Erdungsschraube angeschlossen ist.

TABELLE A:

AUSGANGSANSCHLUSS	MIXER ODER RECEIVER
L (Weiß)	PHONO L KANAL
R (ROT)	PHONO R KANAL
ERDUNG (Flachöse)	Erdungsschraube

BEDIENUNGSANWEISUNGEN:

GRUNDBETRIEB:

- Die Platte auf den **SLIPMAT** (6) legen, die auf dem **PLATTER** (2) sitzt.
- Die gewünschte Drehzahl auswählen, indem Sie an der **SPEED SELECTOR** (18) entweder 33 oder 45 auswählen.
- Den **POWER** (15) in die "ON"-Position schalten, woraufhin die **STROBE LIGHTS** (16) und die Drehzahlanzeige (für die ausgewählte Drehzahl) aufleuchten werden.
- Den Nadelschutz abnehmen (falls an Ihrem Tonabnehmer vorhanden).
- Die **TONARM-KLEMMSCHELLE - ARM CLAMP** (12) an der **TONARMAUFLAGE - ARM REST** (13) freigeben.
- Die **START STOP-TASTE - START/STOP** (17) drücken. Der **PLATTENTELLER - PLATTER** (2) wird anfangen zu drehen.
- Den **TONARM** (9) über die gewünschte Rille auf der Platte positionieren, und den **TONARM** (9) in die "DOWN"-Position schieben. Der **TONARM** (9) wird sich langsam auf die Platte senken, woraufhin die Platte zu spielen beginnt.
- Bei Beendigung des Spielens heben Sie den **TONARM** (9), schieben ihn auf die **ARM REST** (13) und befestigen ihn mit der **ARM CLAMP** (12).
- Nun haben Sie die Option, den Strom abzuschalten, indem Sie den **POWER** (15) in die "OFF"-Position schalten, oder den **PLATTER** (2) zu stoppen, indem Sie die **START/STOP** (17).

REGULIERUNG DER TONHÖHENABSTIMMUNG:

- Der **TT-01** ist mit einem **PITCH CONTROL- TONHÖHENREGLER** (19) ausgerüstet. Wenn der **TONHÖHENREGLER** (19) in Mittenposition steht, liegt die Drehzahl in der Nähe von **33** oder **45** U/min, je nachdem welche **SPEED SELECTOR** (18) gedrückt wird.
- Wenn der **TONHÖHENREGLER** (19) außerhalb der Mittenposition steht, kann die Drehzahl zwischen +/-10% schwanken, abhängig von der Position des **TONHÖHENREGLERS** (19).

SPEZIFIKATIONEN:

PLATTENSPIELER:

Typ.....Manueller Plattenspieler mit Riemenantrieb
 Antriebsmethode.....Riemenantrieb
 Motor.....DC Gleichstrommotor
 Drehzahl.....33 1/3 oder 45 U/min
 Tonhöhenchwankungen.....0,25% WRMS*

* DIESER NENNWERTE BEZIEHT SICH NUR AUF DIE PLATTENSPIELERMONTAGE UND AUF DEN PLATTENTELLER, AUSSCHLIEßLICH AUSWIRKUNGEN DER PLATTEN, TONABNEHMER ODER TONARME.

TONARM:

Typ.....S-förmiger statisch balanzierter Tonarm
 Tonkopfgewicht.....5,6 g

ALLGEMEINES:

Stromversorgung.....AC 115/230V~60/50Hz
 Stromverbrauch.....5 W
 Abmessungen.....450.85 x 82.55 x 353.06 mm
 Gewicht.....3.75 kg

SPEZIFIKATIONEN KÖNNEN OHNE VORHERIGE ANMELDUNG GEÄNDERT WERDEN. GEWICHTSANGABEN UND ABMESSUNGEN SIND ANNÄHERND.



INTRODUCCIÓN:

Felicitaciones por su compra de un **giradiscos de brazo recto tracción por correa Gemini TT-01**. Este tocadiscos de la más avanzada tecnología está dotado de características ultramodernas. Antes de usarlo, le recomendamos leer cuidadosamente todas las instrucciones.

CARACTERÍSTICAS:

- Control variable de Pitch +/-10%
- Plato de aluminio
- Brazo recto para una mayor tracción
- Contrapeso y anti-skating totalmente ajustable
- Dos velocidades (33/45)
- Controles start/stop & RPM iluminados por LED
- Cabezal removible
- Cápsula CN-25 y patinador de felpa incluidos
- Cables RCA y de masa

PRECAUCIONES:

1. Deberán leerse todas las instrucciones de operación antes de usar el equipo.
2. Este aparato no debería estar expuesto al goteo o a las salpicaduras y ningún objeto lleno de líquido, tal como floreros, debería estar colocado sobre el aparato.
3. Para reducir el riesgo de shock eléctrico, no abra la unidad.
NO CONTIENE PIEZAS REEMPLAZABLES POR EL USUARIO. Sírvase comunicarse con el Departamento de Servicio Gemini o su distribuidor autorizado y hablar con un técnico de servicio calificado.
4. Los cojinetes del brazo de fonocaptor están ajustados y sellados en fábrica. Cualquier intento de ajuste dejará sin efecto la garantía.
5. Cerciórese de que toda la corriente CA esté **APAGADA** para efectuar las conexiones.
6. Los cables deberán ser de baja capacidad, guardados, y de apropiado longitud. Cerciórese de que todos los enchufes y jacks estén apretados y debidamente conectados.
7. Comience siempre con los atenuadores de nivel de audio/control de volumen fijados en el nivel mínimo y el control de volumen de los altoparlantes fijados en **APAGADO**. Espere 8 a 10 segundos antes de aumentar el volumen de los altoparlantes para evitar el "chasquido" transitorio que podría ocasionar daños a los altoparlantes/de cruce.
8. **NO DEJE ESTA UNIDAD EXPUESTA A LLUVIA O HUMEDAD.**
9. **NO USE NINGUN LIMPIADOR DE ROCÍO O LUBRICANTE EN CUAQUIERA DE LOS CONTROLES O INTERRUPTORES.**

LISTA DE COMPROBACIÓN DE PIEZAS:

Unidad de tocadisco.....	1
Plato del tocadisco.....	1
Patinador.....	1
Contrapeso.....	1
Portafonocaptor.....	1

MONTAJE Y CONFIGURACIÓN:

VÉASE LA FIG. 3 PARA NÚMEROS DE PIEZA Y UBICACIONES.

SELECCIÓN DEL VOLTAJE:

Haga girar el **PLATO - PLATTER (2)** hasta que se vea el **SELECTOR DE VOLTAJE - VOLTAGE SELECTOR (3)** (colocado en la **BASE DEL TOCADISCO - TURNTABLE BASE (1)**) a través de uno de los orificios en el plato. Cerciórese de que el **SELECTOR DE VOLTAJE** esté arreglado para el voltaje correcto.

ADVERTENCIA: SI TRATA DE HACER FUNCIONAR EL TOCADISCO CON EL VOLTAJE INCORRECTO, CORRE EL RIESGO DE DAÑARLO.

ASEGURAR LA CORREA DEL TOCADISCO:

La **CORREA DEL TOCADISCO - TURNTABLE BELT (4)** está asegurada al **PLATO - PLATTER (2)** y al **EJE DEL MOTOR - MOTOR SPINDLE (5)** pero a veces se separa durante el envío. Haga girar el **PLATO** y mire por los orificios en el plato para verificar si la correa se ha separado. Si la correa no está bien envuelta alrededor del plato y del **EJE DEL MOTOR**, hace falta asegurarla de nuevo.

1. Quite el plato y envuelva la correa alrededor del círculo interior debajo del plato. **NO HAGA EXTENDER LA CORREA!**

2. Reponga el plato y haga girar el **PLATO - PLATTER (2)** hasta que se vea el eje del motor; entonces, ponga los dedos en el orificio en la parte superior del **PLATO (2)**, busque y agarre la correa de caucho y asegúrela al eje del motor.

3. Reponga la arandela de seguridad.

INSTALACION DEL TOCADISCO:

1. Coloque la **PATINADOR - SLIPMAT (6)** sobre el **PLATO (2)**.

2. Ponga la **BASE DEL TOCADISCO - TURNTABLE BASE (1)** sobre una superficie plana y nivelada sin vibraciones. Use las patas del tocadisco para estabilizar la unidad en sentido horizontal.

3. Trate de colocar la unidad lo más lejos posible de los altoparlantes.

4. Mantenga la unidad alejada de la exposición directa del sol, calor, humedad o suciedad.

5. Mantenga la unidad bien ventilada.

INSTALACIÓN DEL CARTUCHO: (VÉASE LA FIG. 1)

Debido a que todos los cartuchos son de diseño distinto, sírvase referirse a las instrucciones de su cartucho específico, para garantizar la instalación correcta.

1. Conecte los alambres conductores a los terminales del cartucho. Para su conveniencia, los terminales de la mayoría de los cartuchos están codificados por colores. Conecte cada alambre conductor al terminal del mismo color.

Blanco (I+).....Canal izquierdo +
Azul (I-).....Canal izquierdo -
Rojo (D+).....Canal derecho +
Verde (D-).....Canal derecho -

2. Monte el cartucho dentro del **PORTAFONOCAPTOR - HEAD-SHELL (7)** y apriételo con los tornillos incluidos con el cartucho.

INSTALACIÓN DEL PORTAFONOCAPTOR:

Inserte el **PORTAFONOCAPTOR - HEADSHELL (7)** en la parte delantera del **BRAZO DE FONOCAPTOR (9)** tubular. Sosteniendo el **PORTAFONOCAPTOR (7)** firmemente en posición horizontal, gire la **TUERCA FIADORA - LOCKING NUT (8)** hacia la izquierda hasta que el **PORTAFONOCAPTOR (7)** se haya asegurado en posición.

INSTALACIÓN DEL CONTRAPESO: (VÉASE LA FIG. 2)

1. Deslice el **CONTRAPESO - COUNTERWEIGHT (10)** sobre la parte posterior del **BRAZO DEL FONOCAPTOR - TONE ARM (9)** con la medida de la aguja numerada hacia el frente.

2. Gire el **CONTRAPESO - COUNTERWEIGHT (10)** ligeramente hacia la izquierda para enroscarlo en la parte posterior del **BRAZO DE FONOCAPTOR - TONE ARM (9)**.

AJUSTE DEL EQUILIBRIO CERO (0) HORIZONTAL Y PRESIÓN DE LA AGUJA:

1. Sin tocar la punta de la aguja, quite el protector de aguja (si el de su cartucho es removible).

2. Suelte el **SUJETABRAZO - ARM CLAMP (12)** y levante el **BRAZO DE FONOCAPTOR - TONE ARM (9)** del **DESCANSILLO - ARM REST (13)**.

3. Si el **CONTRAPESO (10)** se avanza hacia la izquierda, se bajará el lado del cartucho del **BRAZO DE FONOCAPTOR (9)**. Si el **CONTRAPESO (10)** se avanza hacia la derecha ocurrirá lo contrario. Gire el **CONTRAPESO (10)** hacia la derecha o la izquierda según sea necesario hasta que el **BRAZO DE FONOCAPTOR (9)** esté horizontalmente equilibrado. Ese equilibrio es fácil de determinar; espere el punto en que el **BRAZO DE FONOCAPTOR (9)** "flote" libremente.

4. Coloque el **BRAZO DE FONOCAPTOR (9)** sobre el **DESCANSILLO (13)** y asegúrelo en posición con el **SUJETABRAZO (12)**.

5. Con el **BRAZO DE FONOCAPTOR (9)** enganchado en el **DESCANSILLO (13)**, sostenga el **CONTRAPESO (10)** en una mano y gire el **ANILLO DE STYLUS PRESSURE RING (11)** hasta que el número "0" en el anillo se alinee con la línea central del eje trasero del **BRAZO DE FONOCAPTOR (9)**. El equilibrio horizontal en cero (0) deberá quedar completo.

6. Flote de nuevo el **BRAZO DE FONOCAPTOR (9)** para asegurarse que se haya obtenido el equilibrio horizontal en cero (0). Si no se ha mantenido este equilibrio, repita los pasos de contrapeso 3 al 5.

7. Después de ajustar el equilibrio cero (0) horizontal, gire **CON-TRAPESO (10)** equilibrado hacia la izquierda hasta que aparezca en el **ANILLO DE STYLUS PRESSURE RING (11)** la presión de aguja recomendada del fabricante del cartucho en el punto donde coincide con la línea central del eje posterior del **BRAZO DE FONOCAPTOR (9)**.

AJUSTE DEL CONTROL ANTIDESLIZANTE:

Fije el **ANTI-SKATING CONTROL (14)** al mismo valor que la presión de la aguja.

NOTA: SI SU PLACA GIRATORIA VIENE CON UN CARTUCHO CN-25, TIENE UN RECOMENDADO EL SEGUIR DE LA FUERZA DE 3,0 GRAMOS Y PUEDE TENER GAMA A PARTIR DE 2,5-3,5 GRAMOS.

INSTALACIÓN DE LA TAPA CONTRA POLVOS:

1. Sostenga la tapa contra polvos en posición directamente arriba del tocadisco y deslice las bases de las bisagras en los portabisagras montados en el panel posterior.

2. Siempre levante la tapa contra polvos antes de quitarla.

3. Evite abrir y cerrar la tapa contra polvos cuando el tocadisco está en funcionamiento, ya que podría ocurrir vibración indeseable y saltos de la aguja.

CONEXIONES:

1. Conecte el enchufe CA en un tomacorriente apropiado.

2. Véase el Cuadro A para las conexiones apropiadas de los enchufes de salida RCA y el conector a tierra. Cerciérese de que todos los enchufes estén firmemente conectados en los jack apropiados (entradas fonográficas). Para reducir el zumbido, cerciérese de que la orejeta a tierra esté firmemente conectado al tornillo de tierra.

CUADRO A

CONECTORES DE SALIDA	MEZCLADOR O RECEPTOR
I (BLANCO)	I CANAL DEL FONÓGRAFO
D (ROJO)	D CANAL DEL FONÓGRAFO
TIERRA (Orejeta de paleta)	Tornillo de TIERRA

INSTRUCCIONES DE OPERACIÓN:

OPERACIÓN BÁSICA:

1. Ponga un disco sobre la **PATINADOR - SLIPMAT (6)** que descansa sobre el **PLATO - PLATTER (2)**.

2. Seleccione la velocidad deseada, oprimiendo el **BOTÓN SELECTOR DE VELOCIDAD - SPEED SELECTOR (18)** de **33** ó **45**.

3. Ponga el **INTERRUPTOR DE ALIMENTACIÓN - POWER (15)** en la posición de **"ENCENDIDO" ("ON")**, en ese momento se encenderán las **LUCES ESTROBOSCÓPICAS - STROBE LIGHTS (16)** y el indicador de velocidad (para la velocidad seleccionada).

4. Quite el protector de aguja (si se aplica a su cartucho).

5. Suelte el **SUJETABRAZO (12)** que se encuentra en el **DESCANSILLO (13)**.

6. Oprima el **BOTÓN DE ARRANQUE/PARADA - START/STOP (17)**. El **PLATO - PLATTER (2)** del tocadisco empezará a girar.

7. Sitúe el **BRAZO DE FONOCAPTOR (9)** arriba del surco deseado en el disco y ponga el **BRAZO DE FONOCAPTOR (9)** en la posición de **"ABAJO"**. El **BRAZO DE FONOCAPTOR - TONE ARM (9)** se bajará lentamente sobre el disco en cuyo momento empezará a reproducir.

8. Una vez que haya terminado de reproducir, levante el **BRAZO DE FONOCAPTOR - TONE ARM (9)**, **MUEVALO** hacia el **DESCANSILLO - ARM REST (13)** y fíjelo con el **SUJETABRAZO - ARM CLAMP (12)**.

9. Ahora tiene la opción de apagar la unidad, pasando el **INTERRUPTOR DE ALIMENTACIÓN - POWER (15)** a la posición de **"APAGADO"** o de detener el **PLATO - PLATTER (2)**, oprimiendo el **BOTÓN DE ARRANQUE/PARADA - START/STOP (17)**.

AJUSTE DEL CONTROL DE TONO:

1. El equipo **TT-01** está dotado de un **PITCH CONTROL - CONTROL DE TONO (19)**. Cuando el **CONTROL DE TONO (19)** se encuentra en la posición encentrada, la velocidad será cerca de **33** ó **45**, según el **SPEED SELECTOR (18)** que se haya oprimido.

2. Cuando el **CONTROL DE TONO (19)** está en una posición descendrada, el paso podrá variar en $\pm 10\%$, según la posición del **CONTROL DE TONO (19)**.

ESPECIFICACIONES:

SECCIÓN DE TOCADISCO:

Tipo.....Tocadisco manual de transmisión por correa
 Método de transmisión.....Transmisión por correa
 Motor.....Motor DC
 Velocidad.....33 1/3 ó 45 RPM
 Gimoteo y tremolación.....0,25% WRMS*
 *ESTE VALOR SE REFIERE AL CONJUNTO DE TOCADISCO Y PLATO SOLAMENTE, Y EXCLUYE LOS EFECTOS DE LOS DISCOS, CARTUCHOS O BRAZOS DE FONOCAPTOR.

SECCIÓN DE BRAZO DE FONOCAPTOR:

Tipo.....Brazo en S equilibrado estáticamente
 Peso del portafonocaptor.....5.6 g

GENERALIDADES:

Fuente de alimentación.....AC 115/230V~60/50Hz
 Consumo de energía.....5 W
 Dimensiones.....450.85 x 82.55 x 353.06 mm
 Peso.....3.75 kg

LAS ESPECIFICACIONES ESTÁN SUJETAS A CAMBIO SIN PREVIO AVISO. EL PESO Y LAS DIMENSIONES INDICADOS SON APROXIMACIONES.



INTRODUCTION:

Nos félicitations à l'occasion de votre achat cette **platine vinyle avec entraînement par courroie et bras droit Gemini TT-01**. Ce table-tournante très moderne inclut les caractéristiques technologiques les plus récentes. Avant de l'employer, lisez attentivement toutes les instructions.

CARACTÉRISTIQUES:

- Variation de vitesse +/- 10%
- Plateau de lecture en aluminium
- Bras droit pour une meilleure tenue de la cellule
- Contrepoids & Anti-skating réglables
- Vitesse de lecture 33/45 RPM
- Touches Start/Stop & 33/45 RPM illuminées par LED
- Porte-cellule amovible
- Livrée avec cellule CN-25 et feutrine
- Livrée avec cordon RCA + liaison masse

PRÉCAUTIONS:

1. Il est important de lire toutes les instructions de fonctionnement doivent être lues avant de vous servir de cet appareil.
2. Cet appareil ne devrait pas être exposé aux égouttements ou aux éclaboussures et aucun objet rempli de liquide, p.e. vases, ne devrait être placé sur l'appareil.
3. Pour réduire le risque de chocs électriques, prière de ne pas ouvrir l'appareil. **IL NE CONTIENT PAS DE PIÈCES À REMPLACER PAR L'UTILISATEUR À L'INTÉRIEUR.** Prière de contacter le Service technique de Gemini ou votre concessionnaire homologué pour parler à un technicien homologué.
4. Les roulements du bras de lecture ont été ajustés et scellés à l'usine. Toute tentative d'ajustement ou de réglage annulera la garantie.
5. Avant de faire les branchements, vérifiez que l'appareil n'est pas sous tension.
6. Le câblage doit avoir une faible capacité; il doit être blindé et avoir la bonne longueur. Tous les jacks et fiches doivent être bien serrés et convenablement branchés.
7. Commencez toujours en ayant les commandes des régleurs du niveau acoustique/volume réglées sur minimum et la (les) commande(s) du volume des haut-parleurs sur **OFF** (arrêt). Attendez 8 à 10 secondes avant d'accroître le volume des haut-parleurs pour prévenir le "bruit" transitoire qui pourrait endommager des haut-parleurs.
8. **PROTÉGEZ CET APPAREIL CONTRE LA PLUIE ET L'HUMIDITÉ.**
9. **N'UTILISEZ AUCUN PRODUIT DE NETTOYAGE OU LUBRIFIANT PULVÉRISÉ SUR LES COMMANDES OU INTERRUPTEURS.**

LISTE DES PIÈCES:

Table-tournante.....	1
Plateau du table-tournante.....	1
Feutrine.....	1
Contrepoids.....	1
Coquille pour aiguille.....	1

MONTAGE ET CONFIGURATION:

VOIR LA FIGURE 3 POUR LES NUMEROS DES PIÈCES ET LES EMPLACEMENTS.

SELECTION DE LA TENSION:

Faites tourner le **PLATEAU DE LECTURE - PLATTER (2)** jusqu'à ce que le **SELECTEUR DE LA TENSION - VOLTAGE SELECTOR (3)** (situé sur l'**EMBASE DE LA TABLE TOURNANTE (1)**) soit visible à travers un des orifices du plateau. Assurez-vous que le **SELECTEUR DE LA TENSION (3)** occupe le réglage de tension correct.

AVERTISSEMENT: SI VOUS ESSAYEZ DE FAIRE FONCTIONNER LA TABLE TOURNANTE AVEC UNE TENSION INCORRECTE, VOUS RISQUEZ D'ENDOMMAGER VOTRE TABLE TOURNANTE.

ATTACHER LA COURROIE DE LA PLATINE VINYLE:

La **COURROIE DE LA PLATINE VINYLE - TURNTABLE BELT (4)** est généralement attachée au **PLATEAU DE LECTURE - PLATTER (2)** et à l'**ARBRE MOTEUR - MOTOR SPINDLE (5)** mais parfois elle peut se détacher durant le transport. Faites tourner le **PLATEAU DE LECTURE - PLATTER (2)** et regardez à travers les trous dans le plateau pour voir si la courroie est détachée. Si la courroie n'est pas bien en place autour du plateau et de l'**ARBRE DU MOTEUR - MOTOR SPINDLE (5)**, vous devez l'attacher de nouveau.

1. Enlevez le plateau et enveloppez la courroie autour du cercle intérieur du plateau. **N'ETIREZ PAS LA COURROIE!**
2. Remettez le plateau en place et faites tourner le **PLATEAU DE LECTURE - PLATTER (2)** jusqu'à ce que l'**ARBRE MOTEUR - MOTOR SPINDLE (5)** soit visible; puis, à travers les trous du plateau, attrapez la courroie et placez la autour de l'axe moteur.
3. Remettez la rondelle de verrouillage en place.

INSTALLATION DE LA TABLE TOURNANTE:

1. Placez le **FEUTRINE - SLIPMAT (6)** sur le **PLATEAU DE LECTURE - PLATTER (2)**.
2. Placez l'**EMBASE DE LA TABLE TOURNANTE (1)** sur une surface plate et équilibrée sans vibrations. Utilisez les pieds pour stabiliser l'appareil horizontalement.
3. Essayez de placer l'appareil aussi loin que possible des haut-parleurs.
4. Protégez l'appareil contre les rayons directs du soleil, la chaleur, l'humidité et les saletés.
5. Assurez une bonne ventilation pour l'appareil.

INSTALLATION DE LA CARTOUCHE: (VOIR LA FIGURE 1)

Etant donné que toutes les cartouches ont leurs propres particularités, consultez les instructions de votre cartouche pour vous assurer d'une bonne installation.

1. Branchez les fils aux bornes de la cartouche. Pour vous faciliter la tâche, les bornes de la plupart des cartouches sont codées par couleurs. Branchez chaque fil à la borne de la même couleur.

Blanc (L+).....Canal gauche +
Bleu (L-).....Canal gauche -
Rouge (R+).....Canal droit +
Vert (R-).....Canal droit -

2. Installez la cartouche dans la **COQUILLE - HEADSHELL (7)** et serrez-la bien avec les vis fournies avec la cartouche.

INSTALLATION DE LA COQUILLE:

Introduisez la **COQUILLE - HEADSHELL (7)** sur le devant du **BRAS DE LECTURE - TONE ARM (9)** tubulaire. Tout en tenant la **COQUILLE (7)** fermement dans la position horizontale, tournez l'**ECROU DE BLOCAGE - LOCKING NUT (8)** dans le sens antihoraire jusqu'à ce que la **COQUILLE (7)** soit verrouillée en place.

INSTALLATION DU CONTREPOIDS: (VOIR LA FIGURE 2)

1. Glissez le **CONTREPOIDS - COUNTERWEIGHT (10)** sur l'extrémité arrière du **BRAS DE LECTURE - TONE ARM (9)**, la jauge de l'aiguille numérotée étant tournée vers l'avant.
2. Tournez le **CONTREPOIDS - COUNTERWEIGHT (10)** légèrement dans le sens antihoraire pour le visser sur l'extrémité arrière du **BRAS DE LECTURE - TONE ARM (9)**.

REGLAGE DE L'EQUILIBRE ZERO (0) HORIZONTAL ET DE LA PRESSION DE L'AIGUILLE:

1. Sans toucher la pointe de l'aiguille, enlevez la protection de l'aiguille (si celle de votre cartouche est détachable).
2. Desserrez le **SERRE-BRAS - ARM CLAMP (12)** et soulevez le **BRAS DE LECTURE - TONE ARM (9)** du **PORTE-BRAS - ARM REST (13)**.
3. L'avancement dans le sens inverse des aiguilles d'une montre du **CONTREPOIDS - COUNTERWEIGHT (10)** produira la descente de la cellule de lecture montée sur le **BRAS DE LECTURE - TONE ARM (9)**. L'avancement dans le sens horaire des aiguilles d'une montre produira l'opposé. Tournez le **CONTREPOIDS (10)** dans le sens horaire ou dans le sens inverse des aiguilles d'une montre selon le besoin,

jusqu'à ce que le **BRAS DE LECTURE** (9) soit équilibré horizontalement. Ce moment se produit, et vous le verrez facilement, lorsque le **BRAS DE LECTURE** (9) "flotte" librement.

4. Placez le **BRAS DE LECTURE - TONE ARM** (9) sur le **PORTEBRAS - ARM REST** (13) bloquez-le en place avec le **SERRE-BRAS - ARM CLAMP** (12).

5. Le **BRAS DE LECTURE - TONE ARM** (9) étant verrouillé sur le **PORTEBRAS - ARM REST** (13), stabilisez le **CONTREPOIDS - COUNTERWEIGHT** (10) avec une main tout en tournant l'**ANNEAU DE PRESSION DE L'AIGUILLE - STYLUS PRESSURE RING** (11) jusqu'à ce que le numéro "0" sur l'anneau s'aligne avec la ligne médiane sur l'arbre arrière du **BRAS DE LECTURE** (9). L'équilibre zéro horizontal (0) devrait être complété.

6. Faites flotter le **BRAS DE LECTURE** (9) de nouveau pour vous assurer de l'équilibre zéro horizontal (0). Si l'équilibre zéro n'est pas maintenu, répétez les étapes 3-5 du contrepooids.

7. Après le réglage de l'équilibre zéro (0) horizontal, tournez le **CONTREPOIDS - COUNTERWEIGHT** (10) équilibré dans le sens inverse des aiguilles d'une montre jusqu'à ce que la pression de l'aiguille recommandée par le fabricant de la cellule de lecture apparaisse sur la **BAGUE DE PRESSION DE L'AIGUILLE - STYLUS PRESSURE RING** (11) là où elle rencontre la ligne médiane de l'arbre arrière du **BRAS DE LECTURE - TONE ARM** (9).

REGLAGE DE LA COMMANDE ANTI-DERAPAGE:

Mettez la **COMMANDE ANTI-DERAPAGE - ANTI-SKATING CONTROL** (14) à la même valeur que celle de la pression de l'aiguille.

NOTE: SI VOTRE PLATEAU TOURNE-DISQUES VENAIT AVEC UNE CARTOUCHE CN-25, ELLE A UN RECOMMENDE DÉPISTER LA FORCE DE 3,0 GRAMMES ET PEUT AVOIR LA GAMME DE 2,5-3,5 GRAMMES.

INSTALLATION DU COUVERCLE ANTI-POUSSIÈRE:

1. Tenez le couvercle anti-poussière en position, directement au-dessus du table-tournante, et glissez les bases des articulations dans les portarticulations se trouvant sur le panneau arrière.

2. Soulevez toujours le couvercle anti-poussière avant son enlèvement.

3. N'ouvrez et ne fermez pas le couvercle durant le fonctionnement du tourne-disque. Ceci pourrait produire des vibrations indésirées et le dérapage de l'aiguille.

CONNEXIONS:

1. Branchez la fiche à courant alternatif à une prise adéquate.

2. Voir la Table A pour les connexions correctes des fiches RCA de sortie et du connecteur de mise à la terre. Assurez-vous que toutes les fiches sont solidement raccordées dans les jacks corrects (entrées phono). Pour réduire le ronronnement, assurez-vous que l'oreille de mise à la terre se branche solidement à la vis de mise à la terre.

TABLEAU A

CONNECTEURS DE SORTIE	MELANGEUR OU RECEPTEUR
L (BLANC)	L CANAL PHONO
R (ROUGE)	R CANAL PHONO
Masse (Oeillet)	Vis de mise à la masse

MODE D'EMPLOI:

FONCTIONNEMENT DE BASE:

1. Placez un disque sur le **SLIPMAT** (6) se trouvant sur le **PLATTER** (2).

2. Choisissez la vitesse désirée en appuyant sur le **SPEED SELECTOR** (18) de **33** ou de **45**.

3. Mettez l'**INTERRUPTEUR DE MISE SOUS TENSION - POWER** (15) sur la position "**ON**" (Sous tension); à ce moment, les **LUMIERES STROBOSCOPIQUES - STROBE LIGHTS** (16) et l'indicateur de vitesse (pour la vitesse choisie) s'allumeront.

4. Enlevez la protection de l'aiguille (si elle fait partie de votre cartouche).

5. Libérez le **ARM CLAMP** (12) qui se trouve sur le **ARM REST** (13).

6. Appuyez sur le **START/STOP** (17). Le **PLATTER** (2) du table-tournante commencera à tourner.

7. Positionnez le bras de lecture au-dessus du sillon désiré du disque et poussez le **BRAS DE LECTURE - TONE ARM** (9) vers la position "**DOWN**" (Bas). Le **BRAS DE LECTURE - TONE ARM** (9) descendra lentement et déposera l'aiguille sur le disque; à ce moment, vous entendrez l'enregistrement.

8. Une fois l'enregistrement terminé, soulevez le **TONE ARM** (9), guidez-le vers le **ARM REST** (13) et bloquez-le à l'aide du **ARM CLAMP** (12).

9. Maintenant, vous avez le choix de mettre l'appareil hors tension en tournant **POWER** (15) sur la position "**OFF**" (hors tension) ou d'arrêter le **PLATTER** (2) en appuyant sur le **START/STOP** (17).

REGLAGE DE LA COMMANDE DE LA HAUTEUR TONALE:

1. L'appareil **TT-01** est muni d'une **COMMANDE DE LA HAUTEUR TONALE - PITCH CONTROL** (19). Lorsque cette **COMMANDE DE LA HAUTEUR TONALE** (19) occupe la position centrale, la vitesse s'approchera de **33** ou de **45** t/mn en fonction du **SPEED SELECTOR** (18) pressé.

2. Si la **COMMANDE DE LA HAUTEUR TONALE - PITCH CONTROL** (19) n'occupe pas la position centrale, la hauteur tonale peut varier de +/- 10% en fonction de la position occupée par cette **COMMANDE DE LA HAUTEUR TONALE** (19).

SPECIFICATIONS:

PARTIE DU TABLE-TOURNANTE:

Type.....Table-tournante manuel à transmission par courroie
Méthode de transmission.....Transmission par courroie
Moteur.....Moteur DC
Vitesse.....33 1/3 ou 45 t/mn
Pleurage et scintillement.....0,25% WRMS*

*CETTE VALEUR NE CORRESPOND QU'AU TOURNE-DISQUE ET AU PLATEAU, À L'EXCLUSION DES EFFETS PRODUITS PAR LES DISQUES, LES CARTOUCHES OU LES BRAS DE LECTURES.

PARTIE DU BRAS DE LECTURE:

Type.....Bras en S à équilibrage statique
Poids de la coquille.....5,6 g

GENERALITES:

Alimentation électrique.....AC 115/230V~60/50Hz
Consommation.....5 W
Dimensions.....450.85 x 82.55 x 353.06 mm
Poids.....3.75 kg

LES SPÉCIFICATIONS PEUVENT CHANGER SANS PRÉAVIS. LE POIDS ET LES DIMENSIONS INDIQUÉS SONT APPROXIMATIFS.



gemini[®]

IN THE USA: IF YOU EXPERIENCE PROBLEMS WITH THIS UNIT, CALL 1-732-738-9003 FOR GEMINI CUSTOMER SERVICE. DO NOT ATTEMPT TO RETURN THIS EQUIPMENT TO YOUR DEALER.

Parts of the design of this product may be protected by worldwide patents. Information in this manual is subject to change without notice and does not represent a commitment on the part of the vendor. Gemini Sound Products Corp. shall not be liable for any loss or damage whatsoever arising from the use of information or any error contained in this manual. No part of this manual may be reproduced, stored in a retrieval system or transmitted, in any form or by any means, electronic, electrical, mechanical, optical, chemical, including photocopying and recording, for any purpose without the express written permission of Gemini Sound Products Corp. It is recommended that all maintenance and service on this product is performed by Gemini Sound Products Corp. or its authorized agents. Gemini Sound Products Corp. will not accept liability for loss or damage caused by maintenance or repair performed by unauthorized personnel.



**Worldwide Headquarters • 120 Clover Place, Edison, NJ 08837 • USA
Tel: (732) 738-9003 • Fax: (732) 738-9006**

France • Gemini France (GSL) • 1, Allée d'Effiat, Parc de l'événement, 91160 Longjumeau, France
Tél: + 33 1 69 79 97 70 • Fax: + 33 1 69 79 97 80

Germany • Gemini Sound Products GmbH • Liebigstr. 16, Haus B - 3.0G, 85757 Karlsfeld, Germany
Tel: 08131 - 39171-0 • Fax: 08131 - 39171-9

UK • Gemini Sound Products • Unit C4 Hazleton Industrial Estate, P08 9JU Waterlooville, UK
Tel: 087 087 00880 • Fax: 087 087 00990

Spain • Gemini Sound Products S.A. • Rosello, 516, 08026 Barcelona, Spain,
Tel: 349-3435-0814 • Fax: 3493-347-6961

© Gemini Sound Products Corp. 2004 All Rights Reserved.

Free Manuals Download Website

<http://myh66.com>

<http://usermanuals.us>

<http://www.somanuals.com>

<http://www.4manuals.cc>

<http://www.manual-lib.com>

<http://www.404manual.com>

<http://www.luxmanual.com>

<http://aubethermostatmanual.com>

Golf course search by state

<http://golfingnear.com>

Email search by domain

<http://emailbydomain.com>

Auto manuals search

<http://auto.somanuals.com>

TV manuals search

<http://tv.somanuals.com>