

TT-04

DIRECT DRIVE STRAIGHT ARM TURNTABLE
PLATTENSPIELER MIT DIREKTANTRIEB UND GERADEM TONARM
GIRADISCOS DE BRAZO RECTO TRACCIÓN DIRECTA
PLATINE VINYLE AVEC ENTRAÎNEMENT DIRECT ET BRAS DROIT

OPERATIONS MANUAL
BEDIENUNGSHANDBUCH
MANUAL DEL OPERADOR
MANUEL D'INSTRUCTIONS



04



gemini
GEMINIDJ.COM

MULTI LANGUAGE INSTRUCTIONS

ENGLISH.....	PAGE 4
DEUTSCH.....	PAGE 6
ESPAÑOL.....	PAGE 8
FRANCAIS.....	PAGE 10

PLEASE READ BEFORE USING APPLIANCE, IMPORTANT WARNING & SAFETY INSTRUCTIONS!



CAUTION
RISK OF ELECTRICAL SHOCK DO NOT OPEN!



CAUTION: This product satisfies FCC regulations when shielded cables and connectors are used to connect the unit to other equipment. To prevent electromagnetic interference with electric appliances such as radios and televisions, use shielded cables and connectors for connections.

The exclamation point within an equilateral triangle is intended to alert the user to the presence of important operating and maintenance (servicing) instructions in the literature accompanying the appliance.

The lightning flash with arrowhead symbol, within an equilateral triangle, is intended to alert the user to the presence of uninsulated "dangerous voltage" within the product's enclosure that may be of sufficient magnitude to constitute a risk of electric shock to persons.

READ INSTRUCTIONS: All the safety and operating instructions should be read before the product is operated.

RETAIN INSTRUCTIONS: The safety and operating instructions should be retained for future reference.

HEED WARNINGS: All warnings on the product and in the operating instructions should be adhered to.

FOLLOW INSTRUCTIONS: All operating and use instructions should be followed.

CLEANING: The product should be cleaned only with a polishing cloth or a soft dry cloth. Never clean with furniture wax, benzene, insecticides or other volatile liquids since they may corrode the cabinet.

ATTACHMENTS: Do not use attachments not recommended by the product manufacturer as they may cause hazards.

WATER AND MOISTURE: Do not use this product near water, for example, near a bathtub, wash bowl, kitchen sink, or laundry tub; in a wet basement; or near a swimming pool; and the like.

ACCESSORIES: Do not place this product on an unstable cart, stand, tripod, bracket, or table. The product may fall, causing serious injury to a child or adult, and serious damage to the product. Use only with a cart, stand, tripod, bracket, or table recommended by the manufacturer, or sold with the product. Any mounting of the product should follow the manufacturer's instructions, and should use a mounting accessory recommended by the manufacturer.

CART: A product and cart combination should be moved with care. Quick stops, excessive force, and uneven surfaces may cause the product and cart combination to overturn. See Figure A.

VENTILATION: Slots and openings in the cabinet are provided for ventilation and to ensure reliable operation of the product and to protect it from overheating, and these openings must not be blocked or covered. The openings should never be blocked by placing the product on a bed, sofa, rug, or other similar surface. This product should not be placed in a built-in installation such as a bookcase or rack unless proper ventilation is provided or the manufacturer's instructions have been adhered to.

POWER SOURCES: This product should be operated only from the type of power source indicated on the marking label. If you are not sure of the type of power supply to your home, consult your product dealer or local power company.

LOCATION: The appliance should be installed in a stable location.

NON-USE PERIODS: The power cord of the appliance should be unplugged from the outlet when left unused for a long period of time.

GROUNDING OR POLARIZATION:

- If this product is equipped with a polarized alternating current line plug (a plug having one blade wider than the other), it will fit into the outlet only one way. This is a safety feature. If you are unable to insert the plug fully into the outlet, try reversing the plug. If the plug should still fail to fit, contact your electrician to replace your obsolete outlet. Do not defeat the safety purpose of the polarized plug.

- If this product is equipped with a three-wire grounding type plug, a plug having a third (grounding) pin, it will only fit into a grounding type power outlet. This is a safety feature. If you are unable to insert the plug into the outlet, contact your electrician to replace your obsolete outlet. Do not defeat the safety purpose of the grounding type plug.

POWER-CORD PROTECTION: Power-supply cords should be routed so that they are not likely to be walked on or pinched by items placed upon or against them, paying particular attention to cords at plugs, convenience receptacles, and the point where they exit from the product.

OUTDOOR ANTENNA GROUNDING: If an outside antenna or cable system is connected to the product, be sure the antenna or cable system is grounded so as to provide some protection against voltage surges and built-up static charges. Article 810 of the National Electrical Code, ANSI/NFPA 70, provides information with

regard to proper grounding of the mast and supporting structure, grounding of the lead-in wire to an antenna discharge unit, size of grounding conductors, location of antenna-discharge unit, connection to grounding electrodes, and requirements for the grounding electrode. See Figure B.

LIGHTENING: For added protection for this product during a lightning storm, or when it is left unattended and unused for long periods of time, unplug it from the wall outlet and disconnect the antenna or cable system. This will prevent damage to the product due to lightning and power-line surges.

POWER LINES: An outside antenna system should not be located in the vicinity of overhead power lines or other electric light or power circuits, or where it can fall into such power lines or circuits. When installing an outside antenna system, extreme care should be taken to keep from touching such power lines or circuits as contact with them might be fatal.

OVERLOADING: Do not overload wall outlets, extension cords, or integral convenience receptacles as this can result in a risk of fire or electric shock.

OBJECT AND LIQUID ENTRY: Never push objects of any kind into this product through openings as they may touch dangerous voltage points or short-out parts that could result in a fire or electric shock. Never spill liquid of any kind on the product.

SERVICING: Do not attempt to service this product yourself as opening or removing covers may expose you to dangerous voltage or other hazards. Refer all servicing to qualified service personnel.

DAMAGE REQUIRING SERVICE: Unplug this product from the wall outlet and refer servicing to qualified service personnel under the following conditions:

- When the power-supply cord or plug is damaged.
- If liquid has been spilled, or objects have fallen into the product.
- If the product has been exposed to rain or water.
- If the product does not operate normally by following the operating instructions. Adjust only those controls that are covered by the operating instructions as an improper adjustment of other controls may result in damage and will often require extensive work by a qualified technician to restore the product to its normal operation.
- If the product has been dropped or damaged in any way.
- When the product exhibits a distinct change in performance, this indicates a need for service.

REPLACEMENT PARTS: When replacement parts are required, be sure the service technician has used replacement parts specified by the manufacturer or have the same characteristics as the original part. Unauthorized substitutions may result in fire, electric shock, or other hazards.

SAFETY CHECK: Upon completion of any service or repairs to this product, ask the service technician to perform safety checks to determine that the product is in proper operating condition.

WALL OR CEILING MOUNTING: The product should not be mounted to a wall or ceiling.

HEAT: The product should be situated away from heat sources such as radiators, heat registers, stoves, or other products (including amplifiers) that produce heat.



Fig. A

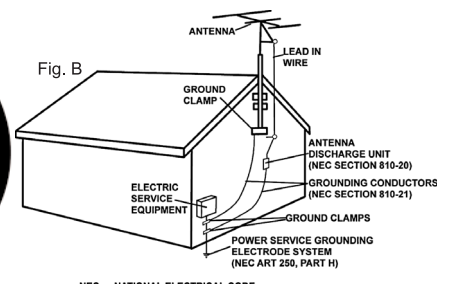


Fig. B
NEC — NATIONAL ELECTRICAL CODE

TT-04

FIG.1

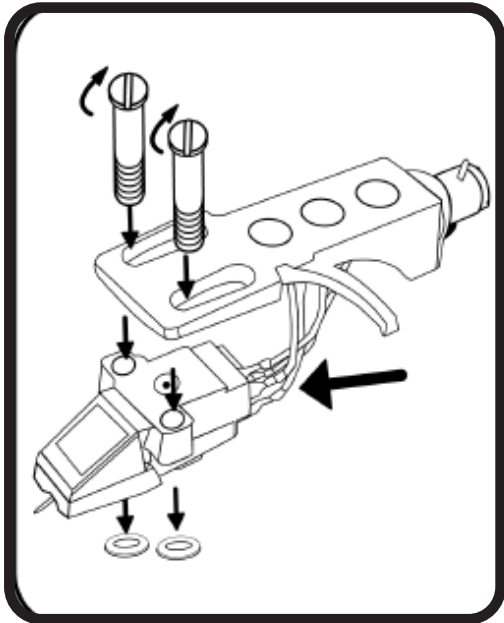


FIG.2

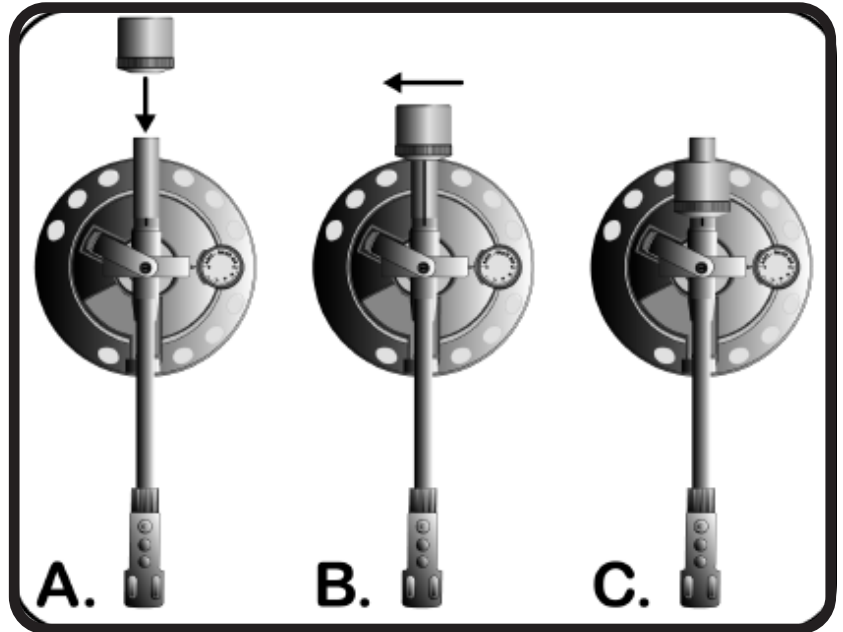
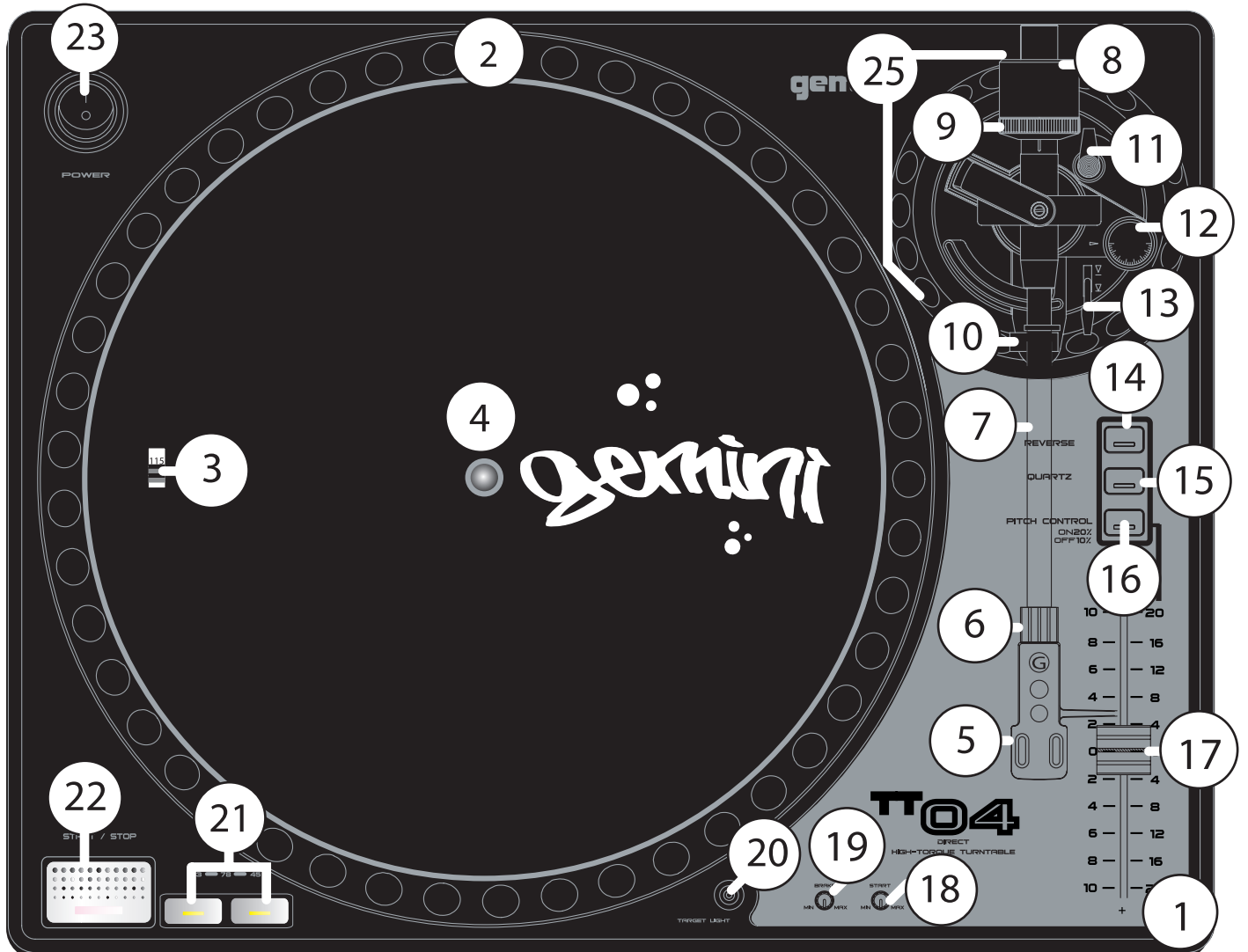


FIG.3





INTRODUCTION:

Congratulations on purchasing a **Gemini TT-04 fully manual ultimate high torque direct drive turntable**. This state of the art turntable includes the latest features. Prior to use, we suggest that you carefully read all the instructions.

FEATURES:

- Fully manual direct drive turntable
- Ultimate high torque (5 kg) direct drive turntable
- Adjustable +/-10% or 20% pitch button w/ LED
- Variable pitch slide control
- Convenient retractable start/brake delay rotary controls
- Solid aluminum platter with easy glide grooves and rubber damping
- Silver metal plate w/ rubber painted base
- Straight tone arm for superior tracking
- Tone arm height finger groove adjustment up to 6 mm with lock
- Fully adjustable counter weight & anti-skating controls
- LED illuminated soft touch start/stop & RPM buttons
- 33/45/78 RPM
- Push button quartz lock and reverse w/ LED
- Target light with RCA connector
- Removable head shell
- Felt slip mat included
- Detachable RCA & ground cables

PRECAUTIONS:

1. Read all operating instructions before using this equipment.
2. The apparatus should not be exposed to dripping or splashing, and no objects filled with liquids such as vases should be placed on the apparatus.
3. To reduce the risk of electrical shock, do not open the unit. Please contact the **Gemini Service Department** or your authorized dealer to speak to a qualified service technician.

IN THE USA ~ IF YOU EXPERIENCE PROBLEMS WITH THIS UNIT CALL GEMINI CUSTOMER SERVICE AT: 1 (732) 738-9003. DO NOT ATTEMPT TO RETURN THIS EQUIPMENT TO YOUR DEALER.

4. Tone Arm bearings are factory set and sealed. Any attempt at adjustment will void the warranty.
5. Be sure that all **AC** power is **OFF** while making connections.
6. Cables should be low capacitance, shielded and of proper length. Make sure that all plugs and jacks are tight and properly connected.
7. Always, begin with the audio level faders/volume controls set at minimum and the speaker volume control(s) set to **OFF**. Wait **8 to 10** seconds prior to turning up the speaker volume to prevent the transient "POP" that could result in speaker/crossover damage.
8. **DO NOT EXPOSE THIS UNIT TO RAIN OR MOISTURE.**
9. **DO NOT USE ANY SPRAY CLEANER OR LUBRICANT ON ANY CONTROLS OR SWITCHES.**

PARTS CHECKLIST:

- Please make sure the following parts are included with your **TT-04**:
- Turntable unit.....1
 - Turntable platter.....1
 - Slipmat.....1
 - Counterweight.....1
 - Headshell1
 - RCA target light.....1

ASSEMBLY & SET-UP:

SEE FIG. 3 FOR PART NUMBERS AND LOCATIONS.

VOLTAGE SELECTION:

Prior to placing the **PLATTER (2)** on the **TURNTABLE BASE (1)**, make sure that the **VOLTAGE SELECTOR SWITCH (3)** is set to the correct voltage.

WARNING: IF YOU TRY TO OPERATE THE TURNTABLE WITH THE INCORRECT VOLTAGE SETTING, IT CAN DAMAGE YOUR TURNTABLE.

TURNTABLE INSTALLATION:

1. Put the **PLATTER (2)** on the **TURNTABLE BASE (1)**. Hold **PLATTER (2)** using finger holes and rotate the motor spindle until **PLATTER (2)** base pins lock into motor.
2. Put the **SLIPMAT (4)** on the **PLATTER (2)**.
3. Set the **TURNTABLE BASE (1)** on a flat, level surface free of vibration. Use the turntable feet to stabilize the unit horizontally.
4. Try to place the unit as far away from the speakers as possible.
5. Keep the unit away from direct exposure to the sun, heat, moisture or dirt.
6. Keep the unit well ventilated.

CARTRIDGE INSTALLATION: (SEE FIG. 1)

Because all cartridges have their own designs, please refer to your particular cartridge's instructions to insure proper installation. If you are using a pre-mounted or integrated cartridge, you can jump ahead to **HEADSHELL INSTALLATION**.

1. Connect the lead wires to the cartridge terminals. For your convenience, the terminals of most cartridges are color-coded. Connect each lead wire to the terminal of the same color. In case your cartridge is not marked the positive leads are the ones on top negative below, left leads are the left channel, and right leads are the right channel.

- White (L+).....Left Channel +
- Blue (L-).....Left Channel -
- Red (R+).....Right Channel +
- Green (R-).....Right Channel -

2. Mount the cartridge in the **HEADSHELL (5)** and tighten it with the screws included with the cartridge.

HEADSHELL INSTALLATION:

Insert the **HEADSHELL (5)** into the front of the tubular **TONE ARM (7)**. While holding the **HEADSHELL (5)** firmly in a horizontal position, turn the **LOCKING NUT (6)** counter clockwise until the **HEADSHELL (5)** is locked in place. Be sure not to over tighten the **LOCKING NUT (6)**.

COUNTERWEIGHT INSTALLATION: (SEE FIG. 2)

1. Slide the **COUNTERWEIGHT (8)** onto the rear of the **TONE ARM (7)** with the numbered stylus gauge facing forward.
2. Twist the **COUNTERWEIGHT (8)** counter clockwise lightly, to screw it onto the rear of the **TONE ARM (7)**.

ADJUSTING HORIZONTAL ZERO (0) BALANCE AND STYLUS PRESSURE:

1. Without touching the stylus tip, remove the stylus protector (if your cartridge has a detachable one).
2. Release the **ARM CLAMP (10)** and lift the **TONE ARM (7)** off the **ARM REST (24)**.

3. Counter clockwise advancement of the **COUNTERWEIGHT (8)** will cause the cartridge side of the **TONE ARM (7)** to be lowered; turning it clockwise will cause the opposite. Turn the **COUNTERWEIGHT (8)** clockwise or counter clockwise as needed until the **TONE ARM (7)** is balanced horizontally. You can easily tell this by watching for the point where the **TONE ARM (7)** "floats" freely.

4. Place **TONE ARM (7)** on **ARM REST (24)** and lock it in place with the **ARM CLAMP (10)**.

5. With the **TONE ARM (7)** locked on the **ARM REST (24)**, hold the **COUNTERWEIGHT (8)** steady with one hand while rotating the **STYLUS PRESSURE RING (9)** until the numeral "0" on the ring aligns with the center line on the **TONE ARM (7)** rear shaft. The **HORIZONTAL ZERO (0)** balance should be completed.

6. Re-float the **TONE ARM (7)** to ensure **HORIZONTAL ZERO (0)** balance. If zero balance has not been maintained, repeat counterweight steps 3 - 5.

7. After adjusting the **HORIZONTAL ZERO** (0) balance, turn the balanced **COUNTERWEIGHT** (8) counter clockwise until the cartridge manufacturer's recommend stylus pressure appears on the **STYLUS PRESSURE RING** (9) where it meets the center line of the **TONE ARM** (7) rear shaft.

ADJUSTING THE ANTI-SKATING CONTROL:

Set the **ANTI-SKATING CONTROL** (12) to the same value as the stylus pressure.

ADJUSTING TONE ARM HEIGHT:

The **TT-04** comes with an adjustable **TONE ARM** (7) base. This feature is generally used when a larger or smaller sized cartridge is used for record playing. You may adjust the height of the **TONE ARM** (7) by unlocking the **TONE ARM BASE** (25) with the use of the **LOCK SWITCH** (11) located next to the **ANTI SKATE CONTROL** (12). Then firmly grip the **TONE ARM BASE** (25) of the **TONE ARM** (7) by the finger grooves. Rotate the **TONE ARM BASE** (25) clockwise to raise, and counter clockwise to lower the height of the **TONE ARM** (7) by up to 6 mm, according to the cartridge manufacturer's specifications. When you have reached the correct level for your **TONE ARM** (7) please be sure to lock your **TONE ARM** (7) in this position by switching the **LOCK SWITCH** (11) to lock.

CONNECTIONS:

1. Plug the **AC** power plug into an appropriate outlet.
2. See Table A for proper connection of the output **RCA** plugs and ground connector. Make sure that all the plugs are firmly plugged into the appropriate jacks (phono inputs).

NOTE: TO REDUCE HUM, MAKE SURE THE GROUND LUGS ARE FIRMLY CONNECTED TO THE GROUND FORKS.

TABLE A:

OUTPUT CONNECTORS	MIXER OR RECIEVER
L (WHITE)	PHONO L CHANNEL
R (RED)	PHONO R CHANNEL
GND (SPADE LUG)	GND SCREW

OPERATING INSTRUCTIONS:

BASIC OPERATION:

1. Plug the **TARGET LIGHT** (20) into the **RCA STYLE JACK** (20), located adjacent to the **PLATTER** (2). Turn the **POWER** (23) switch to the "ON" position, at which point the **TARGET LIGHT** (20) will light up.
2. Place a record on the **SLIPMAT** (4) which sits on the **PLATTER** (2).
3. Select the desired speed by depressing the **33, 45** or **78** (**33 & 45** simultaneously) **SPEED SELECTOR** (21) button.
4. Remove the stylus protector (if applicable to your cartridge).
5. Release the **ARM CLAMP** (10) found on the **ARM REST** (24).
6. Push the **START/STOP** (22) button. The turntable **PLATTER** (2) will start to spin.
7. Using the handle on the **HEADSHELL** (5) to carefully position the **TONE ARM** (7) over the desired position on the record. Lower the **TONE ARM** (7) slowly, while letting go of the **TONE ARM** (7) over the record where you want to play. You may also use the **TONE ARM LIFT** (13) to raise and lower the **TONE ARM** (7).
8. When play is over, raise the **TONE ARM** (7), move it onto the **ARM REST** (24), and secure it with the **ARM CLAMP** (10).

9. You now have the option of turning off the power by turning the **POWER** (23) switch to the "OFF" position, or stopping the **PLATTER** (2) by pushing the **START/STOP** (22) button.

INTERRUPTING PLAY:

1. Pushing the **START/STOP** (22) button will cause the record to stop exactly when the **START/STOP** (22) button is pressed while playing.
2. Press the **START/STOP** (22) button again to start playback with a short delay, as the motor builds up speed.
3. To adjust this delay, push the retractable **START** (18) & **BRAKE** (19) rotary controls. They should raise for you to adjust the level of delay. Rotate the **START** (18) & **BRAKE** (19) rotary controls clockwise to decrease the delay effect. This will either start and/or stop the tracks with no lag time to get the record to the set **RPM** speed. Rotate the **START** (18) & **BRAKE** (19) rotary controls counter clockwise to increase the delay. This will either **START** and/or **STOP** the record with a noticeable amount of lag time until the record has completely stopped or reached the set **RPM** speed.

ADJUSTING THE PITCH CONTROL:

1. The **TT-04** is equipped with a **PITCH SLIDE CONTROL** (17). When the **PITCH SLIDE CONTROL** is in the center position, the speed will be **33, 45, or 78** depending on which **SPEED SELECTOR** (21) button is pushed.
2. When the **PITCH SLIDE CONTROL** (17) is positioned off center, the pitch can vary $\pm 10\%$ or $\pm 20\%$ depending on which Pitch setting was selected and the position of the **PITCH SLIDE CONTROL** (17). When pushing the Pitch control **10%/20% BUTTON** (16) you will notice the **LED** will be **GREEN** to indicate that the **10%** is in use. The **LED** will be **RED** to indicate that the **20%** is in use.
3. To lock the **PITCH SLIDE CONTROL** (17) press the **QUARTZ LOCK** (15) button located above the **PITCH SLIDE CONTROL** (17).

REVERSE:

Push the **REVERSE** (14) button to play your track in reverse, and the **REVERSE** (14) **LED** will light up. Push the **REVERSE** (14) button again to cancel this feature.

SPECIFICATIONS:

TURNTABLE SECTION:

Type.....Direct Drive Manual Turntable
 Drive Method.....Ultimate High Torque (5.0 kg/cm) Direct Drive
 Motor.....DC Motor
 Speed.....33 1/3, 45, 78 RPM
 Wow and Flutter.....Less than 0.15% WRMS*

*THIS RATING REFERS TO THE TURNTABLE ASSEMBLY AND PLATTER ONLY AND EXCLUDES EFFECTS OF RECORDS, CARTRIDGES OR TONEARMS.

TONARM SECTION:

Type.....Statically Balanced Straight Tonearm
 Headshell Weight.....5.6 g

GENERAL:

Power Supply.....AC 115 V~60 Hz/230 V~50 Hz
 Power Consumption.....53 W
 Dimensions.....17.75" x 5.75" x 14"
(450 x 136 x 352 mm)
 Weight.....21.6 lbs. (9.8 kg)

SPECIFICATIONS ARE SUBJECT TO CHANGE WITHOUT NOTICE. THE WEIGHT AND DIMENSIONS SHOWN ARE APPROXIMATE.



EINFÜHRUNG:

Vielen Dank das Sie sich für den manuellen **Gemini TT-04** Plattenspieler mit Direktantrieb und ultimativ hohem Drehmoment entschieden haben. Der **TT-04** wurde nach dem neuesten Stand der Technik hergestellt und ist mit den modernsten Features ausgestattet. Bitte lesen und beachten Sie vor der Inbetriebnahme alle folgenden Anweisungen.

AUSSTATTUNG:

- Manueller direktangetriebener Plattenspieler
- Motor mit ultimativ hohem Drehmoment (5Kg)
- Stufenloser Pitchfader +/- 10 - 20% per LED-Taster umschaltbar
- Versenkbare leicht zu bedienende Drehregler für Start/Brake
- Stabiler Aluminium-Druckguß-Plattenteller mit Fingergleitmulden und Gummidämpfung
- Silberfarbene Metallplatte mit gummibschichtetem Gehäuse
- Gerader Tonarm für bestes Abtastverhalten
- Tonarmhöhenverstellung bis 6mm mit Arretierung
- Antiskating und Tonarmgegengewicht einstellbar
- Softtouch Start/Stop & RPM Taster mit LED
- 33/45/78 RPM
- Quartz lock und Reversetaster Taster mit LED
- Nadelbeleuchtung mit Cinchanschluß
- Austauschbarer Tonkopf mit 1/2" Systembefestigung
- Filz Slipmat inklusive
- Abnehmbares Cinchkabel mit Masseleitung

VORSICHTSMAßNAHMEN:

1. Lesen Sie bitte alle Bedienungsanweisungen vor der Inbetriebnahme.
2. Schützen Sie den Plattenspieler vor hoher Feuchtigkeit und Spritzwasser. Stellen Sie keine Vasen oder ähnliche wassergefüllte Gegenstände auf das Gerät.
3. Um einen Stromschlag zu vermeiden, öffnen Sie das Gerät nicht!
BITTE KONTAKTIEREN SIE IHREN HÄNDLER ODER EINEN QUALIFIZIERTEN SERVICETECHNIKER.
4. Die Tonarmlager sind werksseitig justiert und versiegelt. Nicht nachjustieren, da sonst die Garantie erlischt.
5. Stellen Sie sicher, das der Netzschalter ausgeschaltet ist bevor Sie den Plattenspieler anschließen.
6. Verwenden Sie nur hochwertige abgeschirmte Kabel in entsprechender Länge. Achten Sie auf festen und richtigen Sitz der Stecker und Buchsen.
7. Beginnen Sie immer mit der Fader-/Reglerstellung "Minimum" und schalten Sie Ihren Endverstärker oder die Aktivlautsprecher zuletzt ein (ca. 10sek. nach dem Mixer) um ein Einschaltknacken zu vermeiden.
8. **SETZEN SIE DIESES GERÄT NIE REGEN ODER FEUCHTIGKEIT AUS.**
9. **BENUTZEN SIE KEIN KONTAKTSPRAY ODER ÄHNLICHES FÜR FADER ODER SCHALTER.**

TEILELISTE:

Bitte prüfen sie die Vollständigkeit des Plattenspielers **TT-04**:

Plattenspieler.....	1
Plattenteller.....	1
Slipmat.....	1
Tonarmgegengewicht.....	1
Tonkopf.....	1
Nadelbeleuchtung.....	1

AUFBAUANLEITUNG:

SIEHE FIG.3 FÜR TEILENUMMERN UND PLATZIERUNG

NETZSPANNUNG EINSTELLEN:

Drehen Sie den **PLATTENTELLER** (2) bis der Schalter **VOLTAGE SELECTION SWITCH** (3) (auf der **TURNTABLE BASE** (1)) durch eines der Löcher im Teller sichtbar ist und überzeugen Sie sich, das die Schalterstellung mit der Netzspannung übereinstimmt.

WARNUNG: IST DIE FALSCH EINSTELLT; KANN DER PLATTENSPIELER BEIM EINSCHALTEN ZERSTÖRT WERDEN.

AUFBAU DES PLATTENSPIELERS:

1. Legen Sie den **PLATTENTELLER** (2) auf die Motorspindel auf der **BASE** (1). Halten Sie die Mitte der Achse fest und drehen Sie langsam den **TELLER** (2), bis die beiden Pins einrasten.
2. Legen Sie die **SLIPMAT** (4) auf den **TELLER** (2).
3. Stellen Sie den Plattenspieler auf einen ebenen festen Platz (Regal, Tisch usw).
4. Suchen Sie eine Aufstellungsmöglichkeit weit von den Lautsprechern entfernt.
5. Setzen Sie den Plattenspieler keiner direkten Sonneneinstrahlung aus und wählen Sie einen sauberen, trockenen Aufstellungsort.
6. Achten Sie auf gute Luftzirkulation.

TONABNEHMEREINBAU: (SIEHE FIG. 1)

Da alle Tonabnehmer verschieden sind, lesen Sie bitte die Montageanweisungen Ihres Systems. Wenn Sie ein vormontiertes System oder einen Tonabnehmer wie z.B. **ORTOFON** (Banane) verwenden, Lesen Sie bitte weiter ab "Tonkopfmontage".

ANSCHLIEßEN DES SYSTEMS:

1. Die meisten Tonabnehmer sind mit einer Farbcodierung versehen um das Anschließen zu erleichtern. Stecken Sie das jeweils passende Kabel auf einen Systemkontakt. Falls Ihr System keine Markierung haben sollte, sind die oberen Anschlüsse + und die Unteren -, sowie die linken beiden linker Kanal und die rechten beiden rechter Kanal. Connect the lead wires to the cartridge terminals.
 Weiß (L+).....linker Kanal +
 Blau (L-).....linker Kanal -
 Rot (R+).....rechter Kanal +
 Green (R-).....rechter Kanal -

2. Befestigen Sie den Tonabnehmer mit den, dem System beiliegenden Schrauben, am **TONKOPF (HEADSHELL)** (5)

TONKOPFMONTAGE:

Schieben Sie den **TONKOPF (HEADSHELL)** (5) in die Aufnahmehülse am vorderen Ende des **TONARMS** (7). Halten Sie den **TONKOPF** (5) fest in horizontaler Position und drehen Sie die **VERRIEGELUNGSMUTTER** (6) entgegen dem Uhrzeigersinn bis Sie einrastet. Wenden Sie beim Drehen keine starke Kraft auf, um ein Überdrehen zu vermeiden.

MONTAGE DES TONARMGEGEGENGEWICHTS:

(SIEHE FIG. 2)

1. Schieben Sie das Gewicht (**COUNTERWEIGHT** (8)) auf das hintere Ende des **TONARMS** (7), so das die Skalenseite nach vorn zeigt.
2. Drehen Sie das **GEWICHT** (8) leicht entgegen dem Uhrzeigersinn, um es weiter. auf das Ende des Tonarms zu schrauben.

EINSTELLUNG DER NULLBALANCE UND DER AUFLAGEKRAFT:

1. Entfernen Sie den Nadelschutz (falls vorhanden), ohne die Nadel zu berühren.

2. Entriegeln Sie den Tonarm, indem Sie den Bügel (**ARM CLAMP**) (10) des **TONARMHALTERS** öffnen und heben Sie den Arm aus dem **TONARMHALTER ARM REST** (24).
3. Bringen Sie den **TONARM** (7) durch Drehen des **GEWICHTES** (8) in eine waagerechte, horizontale Schwebestellung.
4. Legen Sie nun den **TONARM** (7) wieder auf den **TONARMHALTER** (11) und befestigen Sie den Arm mit dem **BÜGEL** (10).
5. Ist der **TONARM** (7) wieder im **HALTER** (24) befestigt, halten Sie mit einer Hand das **GEWICHT** (8) fest und drehen mit der anderen Hand den **SKALENRING** (9) auf "0", nach der Mittellinie am hinteren Tonarmende. Damit ist der Nullpunkt eingestellt.
6. Lösen Sie den **TONARM** (7) nochmals und überprüfen Sie, ob der Arm sich noch waagrecht in der Schwebelage befindet. Ist dies nicht der Fall wiederholen Sie die Punkte **2-5**.
7. Ist die Nullpunkteinstellung beendet, drehen Sie das Gewicht(8) entgegen dem Uhrzeigersinn, bis die gewünschte Zahl des **SKALENRINGS** (9) (Auflagekraft nach Angabe des Systemherstellers) mit der Mittellinie des **TONARMES** (7) übereinstimmt.

EINSTELLUNG DER ANTISKATINGKRAFT:

Drehen Sie den Regler **ANTI-SKATING CONTROL** (12) auf die gleiche Zahl wie die Auflagekraft.

JUSTAGE DER TONARMHÖHE:

Der **TT-04** ist mit einer Tonarmhöhenverstellung ausgestattet. Diese dient dazu, unterschiedliche Systeme anpassen zu können und den **TONARM** (7) in der Waage zu halten. Zum Einstellen der Tonarmhöhe lösen sie die Verriegelung **LOCK SWITCH** (11) neben dem **ANTISKATINGREGLER** (12).

Jetzt können Sie mit dem Drehkranz **tone arm adjustment lever** (21) an der **TONARMBASIS** (25) die Tonarmhöhe um bis zu 6mm verändern. Haben Sie die Tonarmhöhe richtig eingestellt, verriegeln Sie wieder mit dem **LOCK SWITCH** (11).

ANSCHLÜSSE:

1. Stecken Sie den Netzstecker in eine Schukosteckdose.
2. Zum Anschließen der Cinchleitung und des Erddrahtes beachten Sie bitte **Table A** Achten Sie auf festen und richtigen Sitz der Stecker (Phonoeingänge).

ANMERKUNG: UM BRUMMPROBLEME ZU VERMEIDEN; MUß DIE ERDVERBINDUNG RICHTIG ANGESCHLOSSEN SEIN! SIEHE ANSCHLUSSBILD.

TABLE A:

AUSGANGSANSCHLUSS	MIXER ODER RECIEVER
L (WEIB)	PHONO L KANAL
R (ROT)	PHONO R KANAL
ERDUNG (FLACHOSE)	ERDUNGSSCHRAUBE

BEDIENUNGSANWEISUNG:

GRUNDFUNKTIONEN:

1. Stecken Sie die Nadelbeleuchtung **TARGET LIGHT** (20) in die **CINCHBUCHSE** (20) am Rand des **TELLERS** (2). Drehen Sie den Schalter **POWER** (23) auf "ON" und die **NADSELBELEUCHTUNG** (20) leuchtet auf.
2. Legen Sie eine Schallplatte auf die **SLIPMAT** (4) auf dem **PLATTENTELLER** (2).
3. Wählen Sie mit den Tastern **33, 45** or **78 (33+45 gleichzeitig)** **SPEED SELECTOR** (16) die gewünschte Geschwindigkeit aus.
4. Entfernen Sie den Nadelschutz (falls vorhanden) vom System.

5. Lösen Sie den **BÜGEL** (10) des **TONARMHALTERS** (24).
6. Drücken Sie die Taste **START/STOP** (22) und der Plattenteller beginnt sich zu drehen.
7. Positioniere Sie den **TONARM** (7) nun vorsichtig über der Stelle die Sie abspielen wollen. Senken Sie den **TONARM** (7) jetzt per Hand oder mit dem **TONARMLIFT** (13) vorsichtig ab und lassen Sie die Musik in der gewünschten Lautstärke abspielen.
8. Ist das Stück zu Ende, legen Sie den **TONARM** (7) wieder auf dem **TONARMHALTER** (24) ab und sichern den Arm mit dem **BÜGEL** (10).
9. Jetzt können Sie entweder den Schalter **POWER** (23) auf "OFF" drehen oder den Plattenteller durch nochmaliges Drücken der Taste **START/STOP** (22) anhalten.

SPIELUNTERBRECHUNG:

1. Drücken Sie die Taste **START/STOP** (15) während des Abspielens, so stoppt der Motor sofort und bleibt an der Stelle stehen.
2. Wird die Taste **START/STOP** (15) nochmals betätigt, läuft der Motor mit einer kurzen Verzögerung wieder an (Hochlaufzeit).
3. Um diese Verzögerung einzustellen, drücken Sie auf die versenkten Drehregler **START** (18) & **BRAKE** (19) und sie gleiten nach oben. Drehen Sie die Regler **START** (18) & **BRAKE** (19) im Uhrzeigersinn, ist die Verzögerung gleich 0. Drehen Sie entgegen dem Uhrzeigersinn wird die Verzögerung größer. Das bedeutet die Hochlaufzeit und die Auslaufzeit wird immer länger.

EINSTELLUNG DER TONHÖHE (PITCH CONTROL):

1. Der **TT-04** ist mit einem **PITCHFADER PITCH SLIDE CONTROL** (17) ausgestattet. Ist der **PITCHFADER** (17) in der Mittelstellung entspricht die Geschwindigkeit der Einstellung der Tasten **SPEED SELECTOR** (21).
2. Bewegen Sie den Pitchfader (17) aus der Mittenstellung heraus, so können Sie die Geschwindigkeit und damit auch die Tonhöhe um **+/- 10%** oder **+/- 20%** verändern. Dies ist abhängig vom Taster **10% / 20%** (16) und wird durch **LED** angezeigt: **grün=10%, rot=20%** 3. Wenn Sie die Taste **QUARTZ LOCK** (15) betätigen, ist der **PITCHFADER** (17) abgeschaltet und der Teller dreht sich wieder exakt mit der gewählten Geschwindigkeit.

RÜCKWÄRTSLAUF (REVERSE):

Wenn Sie die Taste **REVERSE** (14) drücken, leuchtet die **LED** (14) auf und der Plattenteller dreht sich rückwärts. Nach nochmaligem Betätigen, dreht der Motor sich wieder vorwärts.

TECHNISCHE DATEN:

PLATTENSPIELER:

Typ.....manueller Plattenspieler mit Direktantrieb
 Antriebsart...Direktantrieb mit ultimativ hohem Drehmoment (5.0 Kg/cm)
 Motor.....Gleichstrommotor
 Geschwindigkeit.....33 1/3, 45, 78 RPM
 Wow und Flutter.....kleiner als 0.15% WRMS*

*DIESE ANGABE BEZIEHT SICH NUR AUF DEN PLATTENSPIELER MIT PLATTENTELLER: SCHALLPLATTEN; TONARM UND SYSTEM SIND NICHT MIT EINBEZOGEN.

TONARM:

Typ.....Statisch balancierter, gerader Tonarm
 Tonkopfgewicht.....5.6 g

ALLGEMEIN:

Spannungsversorgung.....AC 115V~60Hz/230V~50Hz
 Stromaufnahme.....53 W
 Maße.....(450 x 316 x 352 mm)
 Gewicht.....9.8 kg

TECHNISCHE ÄNDERUNGEN VORBEHALTEN.



INTRODUCCIÓN:

Felicitaciones por su compra de un giradiscos **Gemini TT-04** totalmente manual máximo high torque. Este giradiscos de la más avanzada tecnología está dotado de características ultramodernas. Antes de usarlo, le recomendamos leer cuidadosamente todas las instrucciones.

CARACTERÍSTICAS:

- Giradiscos totalmente manual
- Motor máximo high torque (5 kg)
- Botón de selección pitch +/- 10% o +/- 20% on LED
- Control deslizante de pitch
- Controles escamoteables para juste de freno y arranque
- Plato sólido de aluminio con agujeros de deslizamiento
- Plato metálico con base pintada a la goma
- Brazo recto para un superior agarre en el disco
- Ajuste de la altura del brazo hasta 6 mm con bloqueo
- Controles totalmente ajustables de peso y anti-skating
- Botones de acción suave e iluminados por LED para start/stop
- 33/45/78 RPM
- Botón de quartz lock y reverse con LED
- Conector RCA para luz de posición
- Porta cápsulas removible
- Patinador de felpa incluido
- Cables de señal RCA y masa removibles

PRECAUCIONES:

1. Deberán leerse todas las instrucciones de operación antes de usar el equipo.
2. Este aparato no debería estar expuesto al goteo o a las salpicaduras y ningún objeto lleno de líquido, tal como floreros, debería estar colocado sobre el aparato.
3. Para reducir el riesgo de descarga eléctrica, no abra la unidad. **NO CONTIENE PIEZAS REEMPLAZABLES POR EL USUARIO.** Sírvase comunicarse con el Departamento de Servicio Gemini o su distribuidor autorizado y hablar con un técnico de servicio calificado.
4. Los cojinetes del brazo de fonocaptor están ajustados y sellados en fábrica. Cualquier intento de ajuste dejará sin efecto la garantía.
5. Cerciórese de que toda la corriente **CA** esté **APAGADA** para efectuar las conexiones.
6. Los cables deberán ser de baja capacidad, blindados, y de apropiada longitud. Cerciórese de que todos los enchufes y jacks estén apretados y debidamente conectados.
7. Comience siempre con los atenuadores de nivel de audio/control de volumen fijados en el nivel mínimo y el control de volumen de los altavoces fijados en **APAGADO**. Espere **8 a 10** segundos antes de aumentar el volumen de los altoparlantes para evitar el "chasquido" transitorio que podría ocasionar daños a los altavoces.
8. No deje esta unidad expuesta a lluvia o humedad.
9. No use ningún limpiador de spray o lubricante en cualquiera de los controles o interruptores.

LISTA DE COMPROBACIÓN DE PIEZAS:

Por favor asegúrese que estas piezas están incluidas en el embalaje del **TT-04**:

Unidad de giradiscos.....	1
Plato del giradiscos.....	1
Patinador.....	1
Contrapeso.....	1
Porta cápsulas.....	1
Luz de posición RCA.....	1

MONTAJE Y CONFIGURACIÓN:

VEÁSE LA FIG. 3 PARA NUMEROS DE PIEZA Y UBICACIONES.

SELECCION DEL VOLTAJE:

Haga girar el **PLATO - PLATTER (2)** hasta que se vea el **SELECTOR DE VOLTAJE - VOLTAGE SELECTOR (3)** (colocado en la **BASE DEL TOCADISCO - TURNTABLE BASE (1)**) a través de uno de los orificios en el plato. Cerciórese de que el **SELECTOR DE VOLTAJE** esté arreglado para el voltaje correcto.

ADVERTENCIA: SI TRATA DE HACER FUNCIONAR EL GIRADISCOS CON EL VOLTAJE INCORRECTO, CORRE EL RIESGO DE DAÑARLO.

INSTALACION DEL TOCADISCO:

1. Coloque el **PLATO (2)** en la base del giradiscos (1). Centre y sujete el eje mientras gira el **PLATO (2)** hasta que los fijadores del **PLATO (2)** encajen en el motor.
2. Coloque la **PATINADOR - SLIPMAT (4)** sobre el **PLATO (2)**.
3. Ponga la **BASE DEL TOCADISCO - TURNTABLE BASE (1)** sobre una superficie plana y nivelada sin vibraciones. Use las patas del giradiscos para estabilizar la unidad en sentido horizontal.
4. Trate de colocar la unidad lo más lejos posible de los altavoces.
5. Mantenga la unidad alejada de la exposición directa del sol, calor, humedad o suciedad.
6. Mantenga la unidad bien ventilada.

INSTALACIÓN DE LA CÁPSULA: (VEA FIG. 1)

Al tener cada cápsula su propio diseño, por favor refierase a las instrucciones propias de cada una para asegurar una correcta instalación. Si esta usando una cápsula pre-montada o de cuerpo unico, usted puede saltar hasta **CABEZAL HEADSHELL**.

1. Conecte los alambres conductores a los terminales de la cápsula. Para su conveniencia, los terminales de la mayoría de las cápsulas están codificados por colores. Conecte cada alambre conductor al terminal del mismo color.

Blanco (I+)	Canal izquierdo +
Azul (I-)	Canal izquierdo -
Rojo (D+)	Canal derecho +
Verde (D-)	Canal derecho -

2. Monte la cápsula dentro del **PORTACAPSULAS - HEADSHELL (5)** y apriételo con los tornillos incluidos con la cápsula.

INSTALACION DEL PORTACAPSULAS:

Inserte el **PORTACAPSULAS - HEADSHELL (5)** en la parte delantera del **BRAZO DE FONOCAPTOR (7)** tubular. Sosteniendo el **PORTACAPSULAS (5)** firmemente en posición horizontal, gire la **TUERCA FIADORA - LOCKING NUT (6)** hacia la izquierda hasta que el **PORTACAPSULAS (5)** se haya asegurado en posición.

INSTALACIÓN DEL CONTRAPESO: (VEÁSE LA FIG. 2)

1. Deslice el **CONTRAPESO - COUNTERWEIGHT (8)** sobre la parte posterior del **BRAZO DEL FONOCAPTOR - TONE ARM (7)** con la medida de la aguja numerada hacia el frente.
2. Gire el **CONTRAPESO - COUNTERWEIGHT (8)** ligeramente hacia la izquierda para enroscarlo en la parte posterior del **BRAZO DE FONOCAPTOR - TONE ARM (7)**.

AJUSTE DEL EQUILIBRIO CERO (0)

HORIZONTAL Y PRESIÓN DE LA AGUJA:

1. Sin tocar la punta de la aguja, quite el protector de aguja (si el de su cápsula es removible).
2. Suelte el **SUJETABRAZO - ARM CLAMP (10)** y levante el **BRAZO DE FONOCAPTOR - TONE ARM (7)** del **DESCANSILLO - ARM REST (24)**.
3. Si el **COUNTERWEIGHT (8)** se avanza hacia la izquierda, se bajará el lado del cartucho del **TONE ARM (7)**. Si el **CONTRAPESO** se avanza hacia la derecha ocurrirá lo contrario. Gire el **CONTRAPESO** hacia la derecha o la izquierda

según sea necesario hasta que el **BRAZO DE FONOCAPTOR** esté horizontalmente equilibrado. Ese equilibrio es fácil de determinar; espere el punto en que el **TONE ARM** "flote" libremente.

4. Coloque el **TONE ARM** (7) sobre el **ARM REST** (24) y asegúrelo en posición con el **SUJETABRAZO - ARM CLAMP** (10).

5. Con el **BRAZO FONOCAPTOR** enganchado en el **ARM REST** (24), sostenga el **COUNTERWEIGHT** (8) en una mano y gire el **ANILLO DE STYLUS PRESSURE RING** (9) hasta que el número "0" en el anillo se alinee con la línea central del eje trasero del **BRAZO FONOCAPTOR**. El equilibrio horizontal en cero (0) deberá quedar completo.

6. Flote de nuevo el **BRAZO FONOCAPTOR** para asegurarse que se haya obtenido el equilibrio horizontal en cero (0). Si no se ha mantenido este equilibrio, repita los pasos de contrapeso 3 al 5.

7. Después de ajustar el equilibrio cero (0) horizontal, gire **COUNTERWEIGHT** (8) equilibrado hacia la izquierda hasta que aparezca en el **STYLUS PRESSURE RING** (9) la presión de aguja recomendada del fabricante del cartucho en el punto donde coincide con la línea central del eje posterior del **TONE ARM** (7).

AJUSTE DEL CONTROL ANTIDESLIZANTE:

Fije el **ANTI-SKATING CONTROL** (12) al mismo valor que la presión de la aguja.

AJUSTE DE LA ALTURA DEL BRAZO:

El **TT-04** lleva un **BRAZO** (7) con base ajustable en altura. Esta función se utilice cuando se usan cápsulas muy grandes o demasiado pequeñas en la reproducción. Usted debe ajustar la altura del **BRAZO** (7) desenclavando la fijación de la **BASE** (25) usando el **LOCK SWITCH** (11) que se encuentra cerca del **ANTI SKATE CONTROL** (12). Luego ajuste el **AJUSTE DE BRAZO** (25), que se encuentra debajo del **CONTRAPESO** (8), para nivelar la altura del **BRAZO** (7) hasta 6 mm, de acuerdo con las especificaciones del fabricante de su cápsula. Cuando tenga ajustado correctamente la altura del brazo, recuerde de enclavar el ajuste con el **LOCK SWITCH** (11).

CONEXIONES:

1. Conecte el enchufe **CA** en una base apropiada.
2. Véase el **Cuadro A** para las conexiones apropiadas de los enchufes de salida **RCA** y el conector a tierra. Cerciórese de que todos los enchufes estén firmemente conectados en los jack apropiados (entradas phono). Para reducir el zumbido, cerciórese de que la orejeta a tierra esté firmemente conectado al tornillo de tierra.

CUADRO A

CONECTORES DE SALIDA	MEZCLADOR OR RECEPTOR
I (BLANCO)	I CANAL DEL FONOGRAFO
D (ROJO)	D CANAL DEL FONOGRAFO
TIERRA (OREJETA DE PALETA)	TORNILLO DE TIERRA

INSTRUCCIONES DE OPERACIÓN:

OPERACIÓN BÁSICA:

1. Conecte la **LUZ DE POSICIÓN** (20) en el **RCA** (20). Encienda la **ALIMENTACION** (23) en la posición "ON" y en ese momento la **LUZ** (20) se iluminará.
2. Ponga un disco sobre la **PATINADOR - SLIPMAT** (4) que descansa sobre el **PLATO - PLATTER** (2).
3. Seleccione la velocidad deseada pulsando **33, 45 o 78** (**33 y 45** simultáneamente) en el **SELECTOR DE VELOCIDAD** (21).
4. Quite el protector de aguja (si se aplica a su cápsula).
5. Suelte el **SUJETABRAZO - ARM CLAMP** (10) que se encuentra en el **DESCANSILLO - ARM REST** (24).
6. Oprima el **BOTÓN DE ARRANQUE/PARADA - START/STOP** (22). El **PLATO - PLATTER** (2) del giradiscos empezará a girar.

7. Sitúe el brazo de fonocaptor arriba del surco deseado en el disco y ponga la **PALANCA DE INDICACION** en la posición de "ABAJO". El **BRAZO DE FONOCAPTOR - TONE ARM** (7) se bajará lentamente sobre el disco en cuyo momento empezará a reproducir.

8. Una vez que haya terminado de reproducir, levante el **BRAZO DE FONOCAPTOR - TONE ARM** (7), **MUEVALO** hacia el **DESCANSILLO - ARM REST** (24) y fíjelo con el **SUJETABRAZO - ARM CLAMP** (10).

9. Ahora tiene la opción de apagar la unidad, pasando el **INTERRUPTOR DE ALIMENTACIÓN - POWER** (23) a la posición de "APAGADO" o de detener el **PLATO - PLATTER** (2), oprimiendo el **BOTÓN DE ARRANQUE/PARADA - START/STOP** (22).

INTERRUPCIÓN DE LA REPRODUCCIÓN:

1. Pulsando el **START STOP** (22) se parará la reproducción justo en ese instante.
2. Pulsando el **START STOP** (22) de nuevo se reanudará la reproducción en el lugar anteriormente detenido.
3. Para ajustar el retardo en arrancar, pulse los controles escamoteables **START** (18) y **BRAKE** (19). Estos aparecerán para permitirle su ajuste. Gire los controles **START** (18) y **BRAKE** (19) en sentido horario para reducir el efecto. Gire los controles **START** (18) y **BRAKE** (19) en el otro sentido para incrementar el retardo. Esto le permitirá jugar con el tiempo que tarda el disco en parar, o en alcanzar la velocidad pitch fijada.

AJUSTANDO EL PITCH CONTROL:

1. El **TT-04** está equipado con **CONTROL DESLIZANTE DE PITCH** (17). Cuando el **PITCH CONTROL** (17) está en la posición central, la velocidad será **33, 45, o 78** dependiendo de en que posición este el **SELECTOR DE VELOCIDAD** (21).
2. Cuando el **CONTROL PITCH** (17) está posicionado fuera del centro, el pitch puede variar $\pm 10\%$ o $\pm 20\%$ dependiendo de la posición del **CONTROL PITCH** (17). Al pulsar el control de **10%/20%** (16) el **LED** se iluminará verde para indicar **10%**. En caso de **20%** el **LED** se iluminará rojo.
3. Para fijar el **CONTROL PITCH** (17) a cero, pulse el **QUARTZ LOCK** (15) alojado por encima del **CONTROL PITCH** (17).

REVERSE:

Pulse el control **REVERSE** (14) para reproducir el disco al revés y el **LED REVERSE** (14) se encenderá. Pulse de nuevo **REVERSE** (14) para anular esta función.

ESPECIFICACIONES:

SECCIÓN GIRADISCOS:

Tipo.....Giradiscos Manual Tracción directa
 Metodo de tracción.....Tracción Directa Máximo High Torque (5.0 kg/cm)
 Motor.....DC Motor
 Velocidad.....33 1/3, 45, 78 RPM
 Ruido y Fluctuación.....Menor de 0.15% WRMS*

*ESTE DATO SE REFIERE AL GIRADISCOS MONTADO SOLO CON EL PLATO Y EXCLUYE RUIDOS PRODUCIDOS POR DISCOS, CÁPSULAS O BRAZOS.

SECCIÓN BRAZO:

Tipo.....Brazo recto Estáticamente Balanceado
 Peso del portacápsulas.....5.6 g

GENERAL:

Alimentación.....AC 115 V~60 Hz/230 V~50 Hz
 Consumo.....53 W
 Dimensiones.....17.75" x 5.75" x 14"
(450 x 136 x 352 mm)
 Peso.....21.6 lbs. (9.8 kg)

ESPECIFICACIONES SUJETAS A VARIACIÓN SIN PREVIO AVISO. EL PESO Y LAS DIMENSIONES SON APROXIMADAS.



INTRODUCTION:

Félicitations concernant l'achat de la platine vinyle **Gemini TT-04** Cette platine manuelle à entraînement direct (Ultimate High Torque) est dotée des dernières évolutions technologiques, est couverte par une garantie de **3 années**. Nous vous recommandons de lire soigneusement l'ensemble des instructions qui suivent.

CARACTERISTIQUES:

- Platine vinyle manuelle à entraînement direct
- Moteur Ultimate Hi-Torque (Couple: 5 Kg)
- Vitesse réglable +/- 10% & 20% avec LED de contrôle
- Réglage de vitesse par potentiomètre linéaire
- Réglages séparés couple & frein par potentiomètres rétractables
- Plateau de lecture en aluminium
- Plateau de lecture avec revêtement anti-vibration
- Bras de lecture droit
- Réglage de la hauteur du bras lecture jusqu'à 6mm + verrouillage
- Contre-poids & anti-skating réglables
- Touches démarrage/stop & vitesse de lecture rétro-éclairées
- Vitesse de lecture: 33/45/78 TRS/MN
- Fonction Quartz Lock (Mise en/hors service du réglage de vitesse par pitch)
- Eclairage de la tête de lecture amovible sur embase RCA
- Porte-cellule amovible
- Livrée avec feutrine
- Livrée avec cordon RCA + terre

MISES EN GARDE:

1. Merci de prendre connaissance de l'ensemble des instructions qui suivent avant toute utilisation.
2. Ne pas exposer cet appareil aux éclaboussures de tout type. Gardez l'appareil dans un endroit propre & sec.
3. Afin d'éviter tout risque de choc électrique ne démontez pas l'appareil. **IL N'Y A PAS DE PIÈCE REMPLAÇABLE PAR L'UTILISATEUR À L'INTÉRIEUR.**

CONTACTEZ VOTRE REVENDEUR OU NOTRE SERVICE TECHNIQUE AU 01 69 79 97 79 (DU LUNDI AU VENDREDI DE 14H À 17H).

4. L'assemblage du bras de lecture a été effectué et scellé en usine. Tout démontage par l'utilisateur entraînera automatiquement l'annulation de la garantie.
5. Assurez vous que l'interrupteur de mise en service est en position **OFF**.
6. Les cordons audio doivent être blindés, de faible résistance et d'une longueur adaptée. Assurez vous que les connecteurs soient correctement reliés aux différentes prises.
7. Effectuez toutes ces opérations de branchements avec le volume audio de l'installation réglé au minimum et éteinte. Attendez 8 à 10 secondes avant d'allumer l'installation afin d'éviter les interférences qui pourraient endommager vos enceintes
8. **NE PAS EXPOSER CET APPAREIL A LA PLUIE ET A L'HUMIDITE.**
9. **NE PAS UTILISER DE SOLVANTS OU PRODUITS CHIMIQUES POUR NETTOYER L'APPAREIL.**

LISTE DES PIÈCES LIVREES AVEC L'APPAREIL:

Assurez-vous que l'ensemble des pièces suivantes soient présentes lors de la réception de la **TT-04**:

Platine.....	1
Plateau de lecture.....	1
Feutrine.....	1
Contrepoids.....	1
Porte-cellule.....	1
Eclairage de la tête de lecture sur embase RCA.....	1

MONTAGE & INSTALLATION:

VOIR FIG. 3 POUR LA NUMEROTATION ET L'INSTALLATION DES DIFFERENTES PIÈCES.

SELECTION DE LA TENSION D'ALIMENTATION:

Faites tourner le **PLATEAU DE LECTURE** (2) jusqu'à voir le **SELECTEUR DE TENSION** (3) (situé sur le châssis de la **PLATINE** (1)) à travers les trous du plateau de lecture. Assurez vous que le **SELECTEUR DE TENSION** (3) soit situé sur la bonne position (France: 230V).

ATTENTION: SI VOUS UTILISEZ VOTRE PLATINE VINYLE AVEC LA MAUVAISE TENSION D'ALIMENTATION, VOUS RISQUEZ DE L'ENDOMMAGER GRAVEMENT.

INSTALLATION DE LA PLATINE VINYLE:

1. Mettez le **PLATEAU DE LECTURE** (2) sur la platine. Maintenez l'axe avec les doigts et faites tourner le plateau jusqu'à ce que ce dernier se bloque sur la cloche du moteur à l'aide des deux picots (pins) situés sous le plateau de lecture.
2. Mettez la **FEUTRINE** (4) sur le **PLATEAU DE LECTURE** (2).
3. Installez la platine sur un support stable et horizontal
4. Installez l'appareil loin des enceintes.
5. Tenez l'appareil à l'écart de toute source d'humidité et/ou de chaleur.
6. Installez l'appareil dans un endroit propre, sec & ventilé.

MONTAGE DE LA CELLULE: (VOIR FIG.1)

Chaque cellule possède ses propres caractéristiques, référez-vous aux indications du fabricant afin de l'installer correctement. Si vous utilisez une cellule déjà montée sur un porte-cellule, vous pouvez directement lire la section concernant l'installation du porte-cellule.

INSTALLATION:

1. Veuillez relier l'ensemble des fils du porte-cellule à la cellule. Pour plus de facilité, les connecteurs de chaque cellule possède une couleur différente. Relier chaque fils en respectant ce code couleur. Si la cellule ne possède pas de code couleur, les bornes positives (+) sont celles situées en haut et les bornes (-) celles du bas. Les fils connectés du côté gauche concernent le canal gauche. Les fils situés à droite concernent le canal droit.

Blanc (L+)	Canal Gauche +
Bleu (L-)	Canal Gauche -
Rouge (R+)	Canal Droit +
Vert (R-)	Canal Droit -
2. Installez la cellule, ainsi câblée, sur le **PORTE-CELLULE** (5) en la visant correctement.

HEADSHELL INSTALLATION:

Insérez le **PORTE-CELLULE** (5) à l'extrémité du **BRAS DE LECTURE** (7). Tout en maintenant fermement le **PORTE-CELLULE** (5) à l'horizontal, serrez la **VIS DE VERROUILLAGE** (6) dans le sens des aiguilles d'une montre. Ne serrez pas trop la **VIS DE SERRAGE** (6) au risque d'endommager le bras de lecture.

INSTALLATION DU CONTRE-POIDS: (VOIR FIG.2)

1. Faites glisser le **CONTRE-POIDS** (8) sur l'axe à l'arrière du **BRAS DE LECTURE** (7) avec la graduation située devant afin de visualiser le réglage du poids.

2. Tourner le **CONTRE-POIDS** (8) dans le sens des aiguilles d'une montre afin de le visser à l'arrière du **BRAS DE LECTURE** (7).

REGLAGE DU POINT 0 A L'HORIZONTAL

EQUILIBRAGE DU BRAS & REGLAGE DE LA PRESSION DU DIAMANT DE LECTURE:

1. Sans toucher le diamant de lecture, enlevez la protection (Si votre cellule en possède une).
2. Détachez l'**ATTACHE BRAS** (10) et enlevez le **BRAS DE LECTURE** (7) de son **SUPPORT** (24).

3. Tournez le **CONTRE-POIDS** (8) dans le sens des aiguilles d'une montre afin de descendre le bras de lecture. Le fait de le tourner dans l'autre sens provoquera la remontée du bras de lecture. Tournez le **CONTRE-POIDS** (8) jusqu'à trouver le point d'équilibre du bras de lecture (celui-ci reste alors en équilibre à l'horizontal).

4. Positionnez le **BRAS DE LECTURE** (7) sur son **SUPPORT** (24) et verrouillez le avec l'**ATTACHE BRAS** (10).

5. Tout en maintenant le **BRAS DE LECTURE** (7) sur son **SUPPORT** (24) et le **CONTRE-POIDS** (8) à la main tournez la **BAGUE DE GRADUATION** (9) jusqu'à ce que le point 0 soit aligné avec la ligne noire située à l'arrière du **BRAS DE LECTURE** (7).

6. Vérifiez de nouveau si le réglage effectué est correct. Si ce n'est pas le cas, répétez les opérations de 3 à 5.

7. Après avoir effectué le réglage du point 0, tournez le **CONTRE-POIDS** (8) jusqu'à atteindre le réglage de poids préconisé par le fabricant de votre cellule de lecture. Le réglage de ce poids se repère à l'aide de la **BAGUE DE GRADUATION** (9) montée à l'arrière du **BRAS DE LECTURE** (7).

REGLAGE DE L'ANTI-SKATING (ANTI-DERAILLEMENT):

Réglez l'**ANTI-SKATING** (12) sur la même valeur que celle du diamant de lecture.

REGLAGE DE LA HAUTEUR DU BRAS DE LECTURE:

La **TT-04** possède un **BRAS DE LECTURE** (7) réglable en hauteur. Cette fonction permet de régler de façon très précise la hauteur du bras de lecture en fonction de la cellule de lecture utilisée. Vous devez effectuer ce réglage en déverrouillant l'**EMBASE DU BRAS DE LECTURE** (25) à l'aide du **LOCK SWITCH** (11) situé à proximité du **REGLAGE DE L'ANTI-SKATING** (12). Tenez fermement l'**EMBASE** (25) du **BRAS DE LECTURE** (7). Faites tourner l'**EMBASE DU BRAS DE LECTURE** (25) dans le sens des aiguilles d'une montre pour augmenter la hauteur et inversement pour en diminuer la hauteur dans la limite de 6mm tout en respectant les spécifications du fabricant de la cellule de lecture. Lorsque le réglage de la hauteur du **BRAS DE LECTURE** (7) a été effectué correctement, verrouillez ce dernier à l'aide du **LOCK SWITCH** (11).

CONNECTIONS:

1. Branchez le cordon d'alimentation **AC** à une prise électrique.

2. Voir **Tableau A** pour les connexions **RCA** & fils de masse. Assurez vous que tous les branchements ont été effectués correctement (branchements effectués sur une entrée phono).

NOTE: AFIN DE REDUIRE LES BRUITS PARASITES, ASSUREZ VOUS QUE LA CONNEXION DE LA MASSE A ETE EFFECTUEE.

TABLEAU A:

CONNECTEURS DE SORTIE	MELANGUER OU RECEPTEUR
L (BLANC)	L CANALE PHONO
R (ROUGE)	R CANAL PHONO
MASSE (OEILLET)	VIS DE MISE A LA MASSE

INSTRUCTIONS D'UTILISATION:

UTILISATION BASIQUE:

1. Branchez l'**ECLAIRAGE DE LA TETE DE LECTURE** (20) dans l'**EMBASE RCA** (20), située à côté du **PLATEAU DE LECTURE** (2). Mettez l'interrupteur **POWER** (23) en position "ON", à ce moment l'**ECLAIRAGE DE LA TETE DE LECTURE** (20) s'allumera.

2. Placez un disque sur la **FEUTRINE** (4) située sur le **PLATEAU DE LECTURE** (2).

3. Sélectionnez la vitesse de lecture appropriée **33**, **45** ou **78** trs/mn (Appuyez sur les touches **33** & **45** simultanément) en appuyant sur les **TOUCHES DE SELECTION DE VITESSE DE LECTURE** (21).

4. Enlevez la protection située sur le diamant de lecture.

5. Détachez le **CROCHET DU BRAS DE LECTURE** (10) situé sur le **SUPPORT DU BRAS DE LECTURE** (24).

6. Appuyez sur la touche **START/STOP** (22). Le **PLATEAU DE LECTURE** (2) commencera à tourner.

rer la lecture. Puis abaissez doucement le **BRAS DE LECTURE** (7) sur le disque. Cette opération peut s'effectuer à l'aide de la fonction **TONE ARM LIFT** (13) qui permet de monter ou d'abaisser le **BRAS DE LECTURE** (7).

8. Quand la lecture du disque est terminée, remontez le **BRAS DE LECTURE** (7), remettez le sur son **SUPPORT** (24) et attachez le à l'aide du **CROCHET** (10).

9. Vous pouvez arrêter la rotation du **PLATEAU DE LECTURE** (2), en mettant la platine hors tension, interrupteur **POWER** (23) en position "OFF", ou en appuyant sur la touche **START/STOP** (22).

ARRET DE LA LECTURE:

1. Lorsque vous appuyez sur la touche **START/STOP** (22), vous arrêtez la lecture à l'endroit même où le disque s'arrête.

2. Appuyez de nouveau sur la touche **START/STOP** (22) afin de reprendre la lecture à l'endroit où vous l'avez arrêtée. Il vous faut attendre quelques secondes afin que la vitesse de lecture soit normale, le temps que le moteur accélère jusqu'à la bonne vitesse de lecture.

3. Si vous souhaitez régler ce délai, appuyez sur les potentiomètres rétractables **START/DEMARRAGE** (18) & **BRAKE/FREIN** (19). Tournez les deux potentiomètres dans le sens des aiguilles d'une montre afin de réduire le temps de re-démarrage (en augmentant le couple d'entraînement et l'efficacité du frein). Ce réglage permet de démarrer & d'arrêter la lecture d'un disque rapidement. Tournez ces mêmes potentiomètres dans le sens inverse des aiguilles d'une montre afin d'augmenter le temps de démarrage & d'arrêt (en réduisant le couple moteur et l'incidence du frein).

REGLAGE DE LA VITESSE DE LECTURE:

1. La **TT-04** est équipée d'un **POTENTIOMETRE DE REGLAGE DE VITESSE** (17). Lorsque le **POTENTIOMETRE DE REGLAGE DE VITESSE** (17) est en position centrale (0), la vitesse de lecture sera **33**, **45**, or **78 trs/mn**. Ceci dépend de la vitesse de lecture sélectionnée à l'aide des touches **SELECTION DE LA VITESSE DE LECTURE** (21).

2. Lorsque le **POTENTIOMETRE DE REGLAGE DE VITESSE** (17) est en position centrale (0), vous pouvez modifier la vitesse de lecture de **+/- 10%** ou **+/- 20%** en fonction du réglage de vitesse sélectionné à l'aide du **BOUTON 10%/20%** (16). La led verte indique un réglage **+/- 10%** et rouge pour un réglage de **+/-20%**. La vitesse de lecture dépend alors de la position de ce potentiomètre.

3. Pour maintenir la vitesse de lecture à 0 de façon permanente, appuyez sur la touche **QUARTZ LOCK** (15) située au-dessus du **POTENTIOMETRE DE REGLAGE DE VITESSE** (17).

LECTURE REVERSE:

Appuyez sur la touche **REVERSE** (14) afin d'inverser le sens de lecture du disque, la **LED REVERSE** (14) s'allume. Appuyez de nouveau sur cette touche afin de revenir à la lecture dans le sens normal.

CARACTERISTIQUES:

PARTIE PLATINE VINYLE:

Type.....Platine Vinyle Manuelle à Entraînement Direct
Moteur....Moteur à Très Haut Couple / Ultimate High Torque (5.0 kg/cm)
.....à Entraînement Direct
Moteur.....Moteur DC (Courant Continu)
Vitesse de Lecture.....33 1/3, 45, 78 trs/mn
Pleurage & Scintillement Flutter.....< 0.15% WRMS*

* CETTE MESURE NE CONCERNE QUE LA PLATINE EQUIPEE DE SON PLATEAU DE LECTURE ET EXCLUE L'INCIDENCE DE LA CELLULE DE LECTURE, DU DISQUE LU & DU BRAS DE LECTURE.

PARTIE BRAS DE LECTURE:

Type.....Bras Droit à Equilibrage Statique
Poids du porte-cellule.....5.6 g

CARACTERISTIQUES GENERALES:

Alimentation.....AC 115 V~60 Hz/230 V ~50 Hz
Consommation électrique.....53 W
Dimensions.....17.75" x 5.75" x 14"
.....(450 x 136 x 352 mm)
Poids.....21.6 lbs. (9.8 kg)

LES SPÉCIFICATIONS PEUVENT CHANGER SANS PRÉAVIS. LE POIDS ET LES DIMENSIONS INDIQUÉS SONT APPROXIMATIFS.

NOTES

NOTES

cut here

33.33 RPM

45.11 RPM

DEXMINT



50Hz Speed check gauge

Carefully punch a hole in the center of this disc,

Operate turntable at 0% without quartz lock.

Place turntable close to any florescent lighting source.

The outer ring should appear still at 33 rpm.

The inner ring should appear still at 45rpm.

cut here



gemini[®]

**IN THE USA: IF YOU EXPERIENCE PROBLEMS
WITH THIS UNIT, CALL 1-732-738-9003 FOR GEMINI
CUSTOMER SERVICE. DO NOT ATTEMPT TO RETURN
THIS EQUIPMENT TO YOUR DEALER.**

Parts of the design of this product may be protected by worldwide patents. Information in this manual is subject to change without notice and does not represent a commitment on the part of the vendor. Gemini Sound Products Corp. shall not be liable for any loss or damage whatsoever arising from the use of information or any error contained in this manual. No part of this manual may be reproduced, stored in a retrieval system or transmitted, in any form or by any means, electronic, electrical, mechanical, optical, chemical, including photocopying and recording, for any purpose without the express written permission of Gemini Sound Products Corp. It is recommended that all maintenance and service on this product is performed by Gemini Sound Products Corp. or its authorized agents. Gemini Sound Products Corp. will not accept liability for loss or damage caused by maintenance or repair performed by unauthorized personnel.



**Worldwide Headquarters • 120 Clover Place, Edison, NJ 08837 • USA
Tel: (732) 738-9003 • Fax: (732) 738-9006**

France • Gemini France (GSL) • 1, Allée d'Effiat, Parc de l'événement, 91160 Longjumeau, France
Tél: + 33 1 69 79 97 70 • Fax: + 33 1 69 79 97 80

Germany • Gemini Sound Products GmbH • Liebigstr. 16, Haus B - 3.0G, 85757 Karlsfeld, Germany
Tel: 08131 - 39171-0 • Fax: 08131 - 39171-9

UK • Gemini Sound Products • Unit C4 Hazleton Industrial Estate, P08 9JU Waterlooville, UK
Tel: 087 087 00880 • Fax: 087 087 00990

Spain • Gemini Sound Products S.A. • Rosello, 516, 08026 Barcelona, Spain,
Tel: 349-3435-0814 • Fax: 3493-347-6961

© Gemini Sound Products Corp. 2004 All Rights Reserved.

Free Manuals Download Website

<http://myh66.com>

<http://usermanuals.us>

<http://www.somanuals.com>

<http://www.4manuals.cc>

<http://www.manual-lib.com>

<http://www.404manual.com>

<http://www.luxmanual.com>

<http://aubethermostatmanual.com>

Golf course search by state

<http://golfingnear.com>

Email search by domain

<http://emailbydomain.com>

Auto manuals search

<http://auto.somanuals.com>

TV manuals search

<http://tv.somanuals.com>