

# 1030A

Operating Manual  
Genelec 1030A  
Monitoring Speaker

# GENELEC®





## Genelec 1030A Monitoring Speaker

### System

The bi-amplified GENELEC 1030A is a two way active monitoring speaker designed to produce high SPL output, low coloration and broad bandwidth in a small cabinet size. The 1030A is ideal for applications where space is at premium such as Near Field monitoring, mobile vans, broadcast and TV control rooms, surround sound systems and budget and home studios. Designed as an active speaker, the 1030A contains drivers, power amplifiers, active crossover filters and protection circuitry. The Directivity Control Waveguide™ (DCW™) technology used provides excellent frequency balance even in difficult acoustic environments.

### Drivers

The low frequencies are reproduced by a 170 mm (6 1/2") bass driver loaded in a 6.5 liters vented cabinet. The -3 dB point lies at 52 Hz and the frequency response extends down to 47 Hz (-6 dB).

The high frequency driver is a 19 mm (3/4") metal dome. Uniform dispersion control is achieved with the innovative DCW Technology pioneered by Genelec, which also provides perfect phase and delay uniformity at the crossover frequency.

Both drivers are magnetically shielded.

### Crossover

The active crossover network consists of two parallel bandpass filters. Acoustically, the filters are complementary and the slopes are 24 - 32 dB/octave. The crossover frequency is 3.5 kHz. The active crossover controls ('treble tilt', 'bass tilt' and 'bass roll-off') allow this speaker to be exactly matched to any room environment.

### Amplifiers

The amplifier unit is mounted to the rear of the speaker enclosure on quick release vibration isolators, to ensure rattle free operation and long term reliability. The bass and treble amplifier produce respectively 80 W and 50 W of short term power. The peak output sound pressure level of the 1030A exceeds 115 dB at 1 m. The unit incorporates special circuitry for driver overload protection. Variable input sensitivity allows for accurate level matching to console output section.

### Installation

Each 1030A monitor is supplied with a mains cable and an operating manual. After unpacking, place the speaker so that its acoustical axis (see figure 2) is aimed towards the listening position. Do not place the speaker in a horizontal position as this

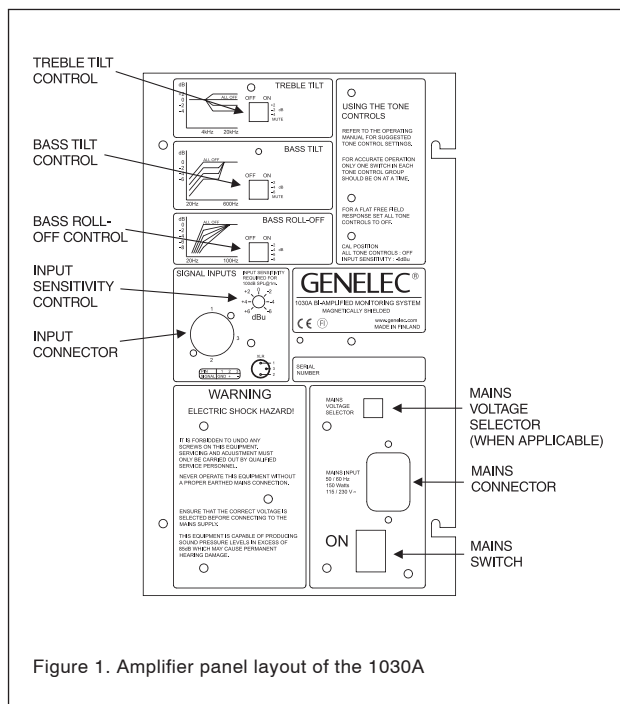
may cause acoustical cancellation problems around the crossover frequency.

Sufficient cooling for the amplifier must be ensured if the speaker is installed in a restricted space such as a cabinet or integrated into a wall structure. The minimum clearance for the amplifier is 10 centimeters (4") to any object. The space adjacent to the amplifier must either be ventilated or sufficiently large to dissipate heat so that the ambient temperature does not rise above 35 degrees Celsius (95°F).

Before connecting up, ensure that the mains switch is off (see figure 4). Check that the mains voltage selector is correctly set (Models sold in Europe have a fixed 230 V setting). Audio input is via a 10 kOhm balanced XLR connector, but unbalanced leads may be used as long as pin 3 is grounded to pin 1 of the XLR (see figure 3). Once the connection has been made, the speakers are ready to be switched on.

### Setting the input sensitivity

The input sensitivity of the speakers can be matched to the output of the mixing console, or other source, by adjusting the input sensitivity control on the rear panel (see figure 4). A small screwdriver is needed for the adjustment. The manufacturer's default setting for this control is -6 dBu (fully clockwise) which



Speaker Mounting Position	Treble tilt	Bass tilt	Bass roll-off
Flat anechoic response	None	None	None
Free standing in a damped room	None	-2 dB	None
Free standing in a reverberant room	None	-4 dB	-2 dB
Near field or console bridge	None	-4 dB	-4 dB

Table 1. Suggested tone control settings in some typical situations

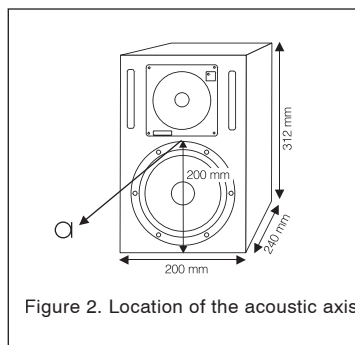


Figure 2. Location of the acoustic axis

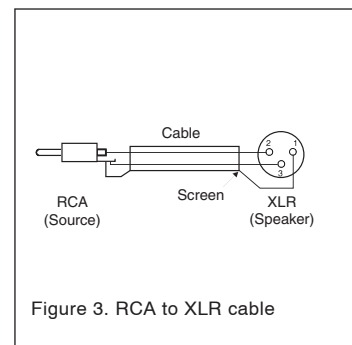


Figure 3. RCA to XLR cable

gives an SPL of 100 dB @1m with -6 dBu input level.

### Setting tone controls

The response of the system may also have to be adjusted to match the acoustic environment. The adjustment is done by setting the three tone control switch groups 'treble tilt', 'bass tilt' and 'bass roll-off' on the rear panel of the amplifier. The factory settings for these controls are 'All Off' to give a flat anechoic response. See Table 1 for suggested tone control settings. Figure 5 shows the effect of the controls on the anechoic response. Always start adjustment by setting all switches to 'OFF' position. Then set only one switch to the 'ON' position to select the response curve needed. If more than one switch is set to 'ON' (within one switch group) the attenuation value is not accurate.

### Vertical / horizontal mounting

The speakers are normally delivered set up for vertical mounting. Horizontal mounting should be avoided due to the increased likelihood of early reflections that degrade the direct sound. If horizontal mounting is needed the DCW plate may be rotated so that the Genelec logo remains horizontal by removing the four corner screws of the DCW and carefully lifting and turning the DCW.

### Console top mounting

If the 1030A's are used for near field monitoring, avoid mounting them on the meter bridge of the console. Instead position the speakers slightly behind the console by using floor stands or wall mounts. This prevents the first reflections from the console surface from coloring the sound.

### Maintenance

No user serviceable parts are to be found within the amplifier unit. Any maintenance or repair of the 1030A unit should only be undertaken by qualified service personnel.

### Safety considerations

Although the 1030A has been designed in accordance with international safety standards, to ensure safe operation and to maintain the instrument under safe operating conditions, the following warnings and cautions must be observed:

1. Servicing and adjustment must only be performed by qualified service personnel. The amplifier's rear panel must not be opened.
2. Do not use this product with an unearthed mains cable as this may lead to personal injury.
3. To prevent fire or electric shock, do not

expose the unit to water or moisture. Do not place any objects filled with liquid, such as vases on the speaker or near it.

4. Note that the amplifier is not completely disconnected from the AC mains service unless the mains power cord is removed from the amplifier or the mains outlet.

### WARNING!

This equipment is capable of producing sound pressure levels in excess of 85 dB, which may cause permanent hearing damage.

### Accessories

	Order code
Protective grille	1030-409
Wall mount	1030-404-V/H*
Floor stand	1030-405-V/H*

\*State the desired speaker orientation V=vertical or H=horizontal when ordering these accessories.

### Guarantee

This product is supplied with one year guarantee against manufacturing faults or defects that might alter the performance of the 1030A unit. Refer to supplier for full sales and guarantee terms.

# 1030A Operating Manual

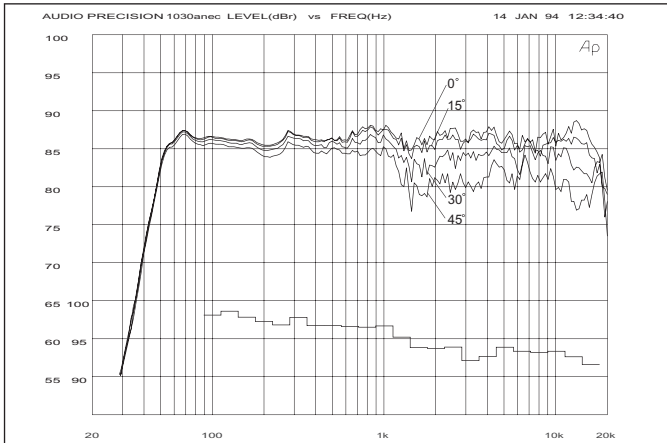


Figure 4. The upper curve group shows the horizontal directivity characteristics of the 1030A in vertical configuration measured at 1 m. The lower curve is a 1/3 octave band power response, measured in an IEC approved reverberation chamber.

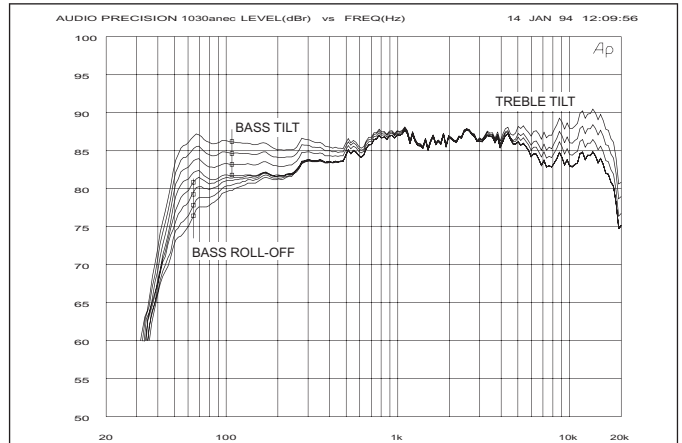


Figure 5. The curves show the effect of the bass tilt, treble tilt and bass roll-off controls on the free field response.

## SYSTEM SPECIFICATIONS

Lower cut-off frequency, -3 dB: < 52 Hz  
Upper cut-off frequency, -3 dB: > 20 kHz

Free field frequency response of system:  
55 Hz - 18 kHz ( $\pm 2.5$  dB)

Maximum short term sine wave acoustic output on axis in half space, averaged from 100 Hz to 3 kHz:  
@ 1m > 105 dB SPL  
@ 0.5m > 111 dB SPL

Maximum long term RMS acoustic output in same conditions with IEC weighted noise (limited by driver unit protection circuit):  
@ 1m > 99 dB SPL  
@ 0.5m > 105 dB SPL

Maximum peak acoustic output per pair above console top, @ 1 m from the engineer with music material: > 115 dB

Self generated noise level in free field @ 1m on axis: < 10 dB (A-weighted)

Harmonic distortion at 90 dB SPL @ 1m on axis:  
Freq: 60...150 Hz < 3%  
> 150 Hz < 0.5%

Drivers: Bass 170 mm (6 1/2") cone  
Treble 19 mm (3/4") metal dome  
Both drivers are magnetically shielded.

Weight: 7,6 kg (17 lb)

Dimensions:  
Height 312 mm (12 1/4")  
Width 200 mm (7 7/8")  
Depth 240 mm (9 7/16")

## CROSSOVER SECTION

Input connector XLR female:  
pin 1 gnd  
pin 2 +  
pin 3 -

Input impedance: 10 kOhm balanced

Input level for 100 dB SPL output @ 1m:  
variable from +6 to -6 dBu

Input level for maximum short term sine wave output of 105 dB SPL @ 1m:  
variable from +11 to -1 dBu

Subsonic filter below 50 Hz: 18 dB/octave

Ultrasonic filter above 25 kHz: 12 dB/octave

Crossover frequency, Bass/Treble: 3.5 kHz

Crossover acoustical slopes:  
24 - 32 dB/octave

Treble tilt control operating range in 2 dB steps:  
from +2 to -4 dB & MUTE

Bass roll-off control operating range in 2 dB steps:  
from 0 to -8 dB @ 50 Hz

Bass tilt control operating range in 2 dB steps:  
from 0 to -6 dB @ 100 Hz & MUTE

The 'CAL' position is with all tone controls set to 'off' and the input sensitivity control to maximum (fully clockwise).

## AMPLIFIER SECTION

Bass amplifier short term output power with a 4 Ohm load: 80 W

Treble amplifier short term output power with an 8 Ohm load: 50 W

Long term output power is limited by driver unit protection circuitry.

Amplifier system distortion at nominal output:

THD	< 0.08%
SMPTE-IM	< 0.08%
CCIF-IM	< 0.08%
DIM 100	< 0.08%

Signal to Noise ratio, referred to full output:  
Bass > 95 dB  
Treble > 95 dB

Mains voltage: 230, 100/200 or 115/230V according to region

Voltage operating range:  $\pm 10\%$

Power consumption:  
Idle 10 VA  
Full output 100 VA

## Free Manuals Download Website

<http://myh66.com>

<http://usermanuals.us>

<http://www.somanuals.com>

<http://www.4manuals.cc>

<http://www.manual-lib.com>

<http://www.404manual.com>

<http://www.luxmanual.com>

<http://aubethermostatmanual.com>

Golf course search by state

<http://golfingnear.com>

Email search by domain

<http://emailbydomain.com>

Auto manuals search

<http://auto.somanuals.com>

TV manuals search

<http://tv.somanuals.com>