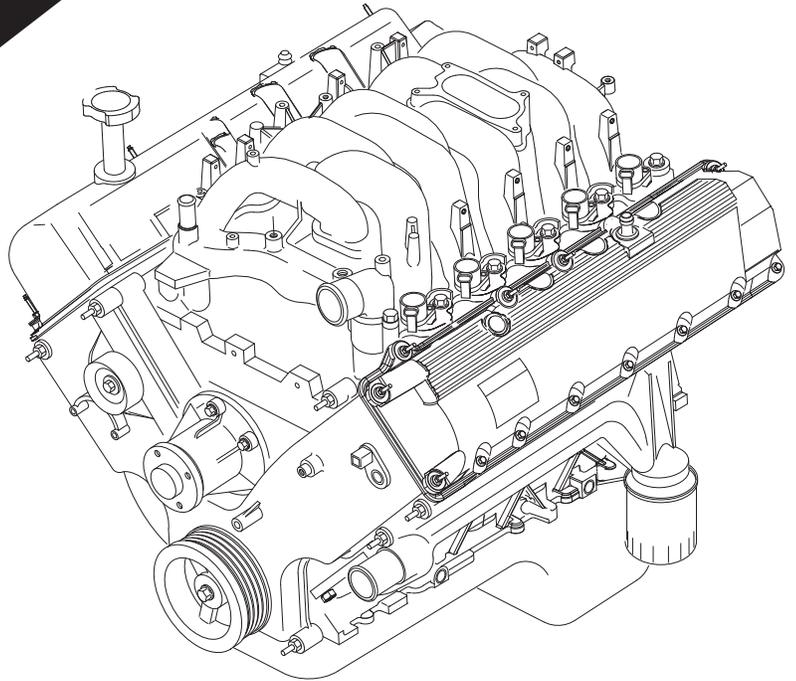


**0H0923PMNL**

**GENERAC<sup>®</sup>**



**6.8** LITER  
**G A S**

*Ford*

***ENGINE  
PARTS  
MANUAL***

**Engine Part Number Note:**  
Engine Assembly Build Date From 1/1/2009 to  
present is Generac P/N: 0H0923

## 6.8L Gas Engine Table of Contents

QUICK REFERENCE GUIDE.....	1
6.8L GAS ENGINE .....	2
CYLINDER BLOCK .....	4
CYLINDER HEAD.....	6
TIMING COVER.....	8
PISTON, ROD AND CRANK .....	10
TIMING GEARS.....	12
CAMSHAFT .....	14
BALANCE SHAFT .....	15
ROCKER COVER.....	16
OIL PUMP.....	17
OIL PAN .....	18
CRANKCASE VENTILATION .....	19
OIL FILTER.....	20
WATER PUMP.....	22
THERMOSTAT .....	23
DAMPER/PULLEY .....	24
INTAKE MANIFOLD.....	25
IGNITION SYSTEM.....	26

### NOTE

The information in this manual is known to be accurate as of the date of release shown on the cover. However, engineering changes can occur without notice. To obtain the proper parts, please be sure to use the serial number of the unit being serviced when ordering from this manual.

**All other parts not shown in this manual can be found in the Owner's Manual for the unit being serviced.** Owner's Manuals can be found at:

[www.generac.com](http://www.generac.com)

### Legend

**“A/R” AS REQUIRED**  
**“STD” STANDARD SIZE**  
**“O.S.” OVERSIZE**  
**“U.S.” UNDERSIZE**  
**“NA” NOT AVAILABLE**

## 6.8L Gas Engine Quick Reference Guide

<i>ENGINE SIZE:</i>	<b>6.8 Liter</b>	<i>FUEL:</i>	<b>LP/NG</b>	<i>MAKE:</i>	<b>Ford</b>	<i>ENGINE P/N:</i>	<b>0H0923</b>
---------------------	------------------	--------------	--------------	--------------	-------------	--------------------	---------------

### QUICK REFERENCE ENGINE PARTS

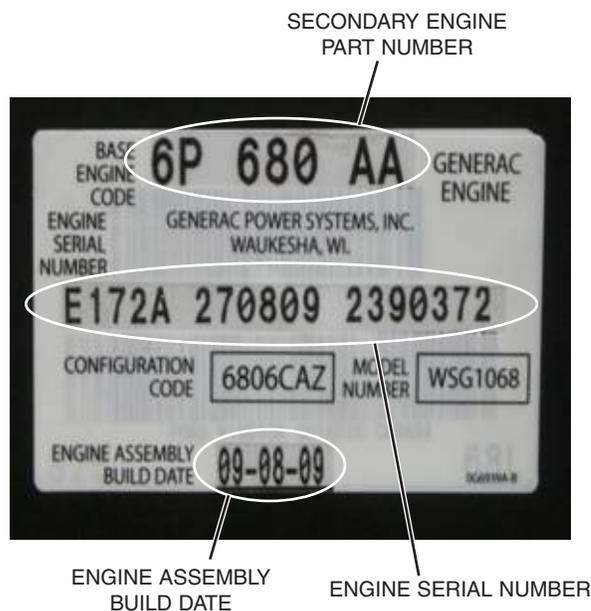
<i>Description</i>	<i>Part Number</i>	<i>Special Notes</i>
Scheduled Maintenance Kit	0G15870ESV	Oil Filter, Spark Plugs, Air Filter
Oil Filter	0D5419	Oil capacity – see owner's manual
Air Cleaner Element	0F5419	
V-Belt		See owner's manual
Thermostat	0F2844	Coolant capacity – see owner's manual
Thermostat O-ring	0F2843	
Starter Motor	0D5418	
Spark Plug	0D34540186	Spark plug gap – see owner's manual

### ENGINE IDENTIFICATION

Note: The right and left banks of engine are determined by viewing the engine from the flywheel side.



Left Side Valve Cover

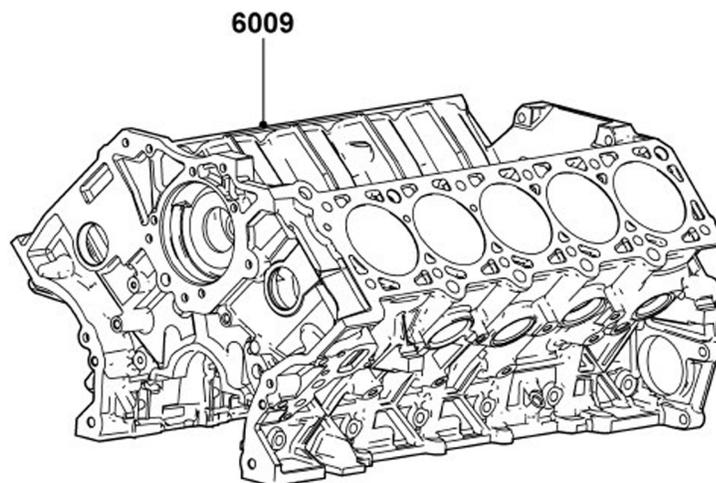
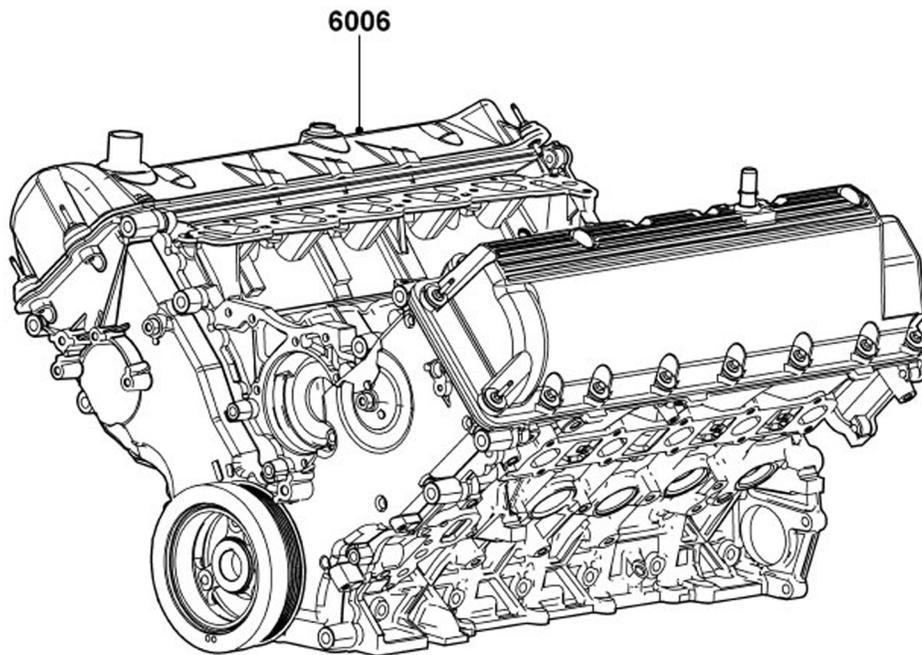


ENGINE ASSEMBLY  
BUILD DATE

ENGINE SERIAL NUMBER

## 6.8L Gas Engine

Note: The right and left banks of engine are determined by viewing the engine from the flywheel side.



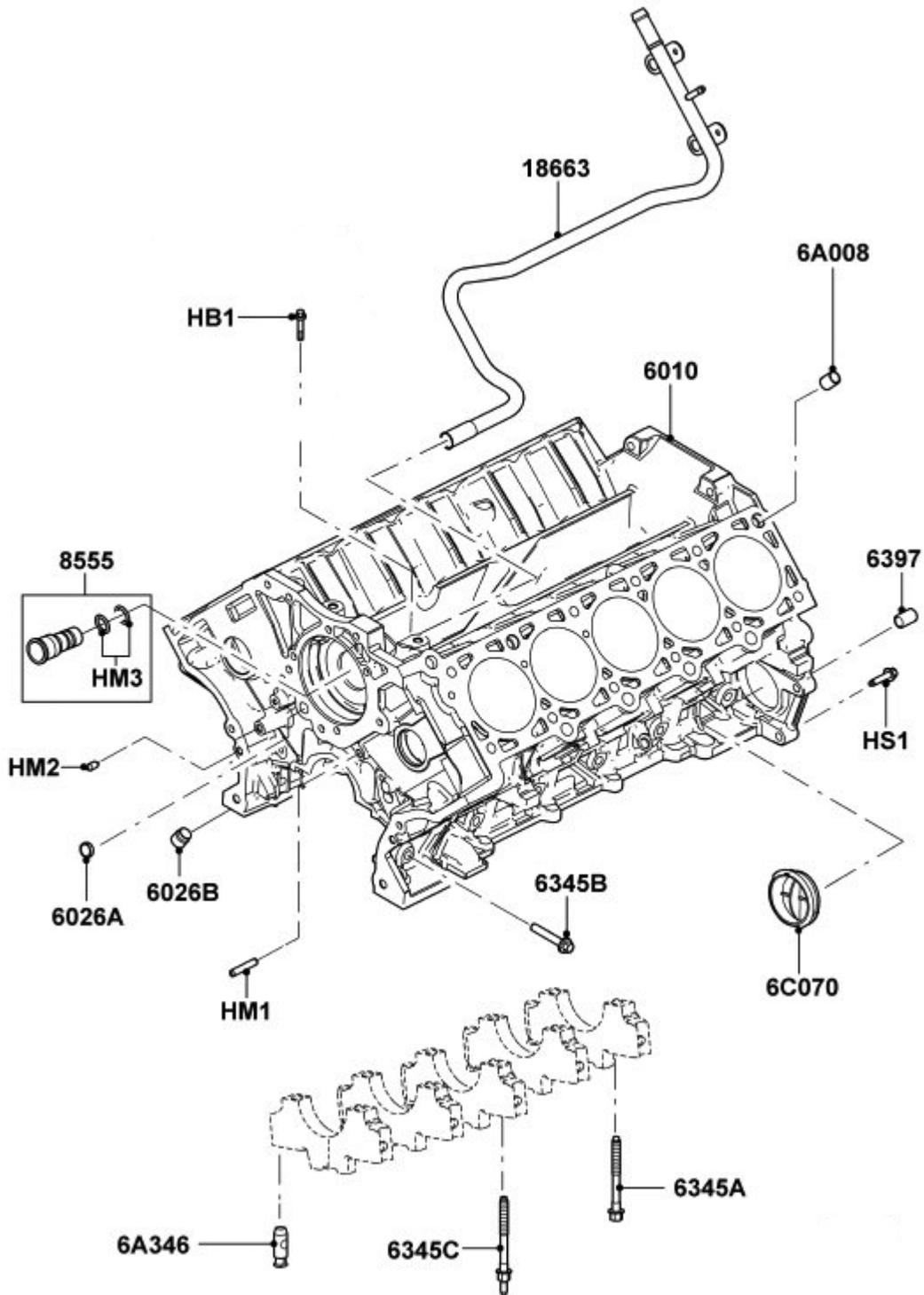
## 6.8L Gas Engine

ITEM	PART NO.	DESCRIPTION	QTY
6006	0H09230158	LONG BLOCK	A/R
6009	0H09230114	SHORT BLOCK	A/R

Note: The right and left banks of engine are determined by viewing the engine from the flywheel side.

## 6.8L Gas Engine Cylinder Block

Note: The right and left banks of engine are determined by viewing the engine from the flywheel side.



## 6.8L Gas Engine Cylinder Block

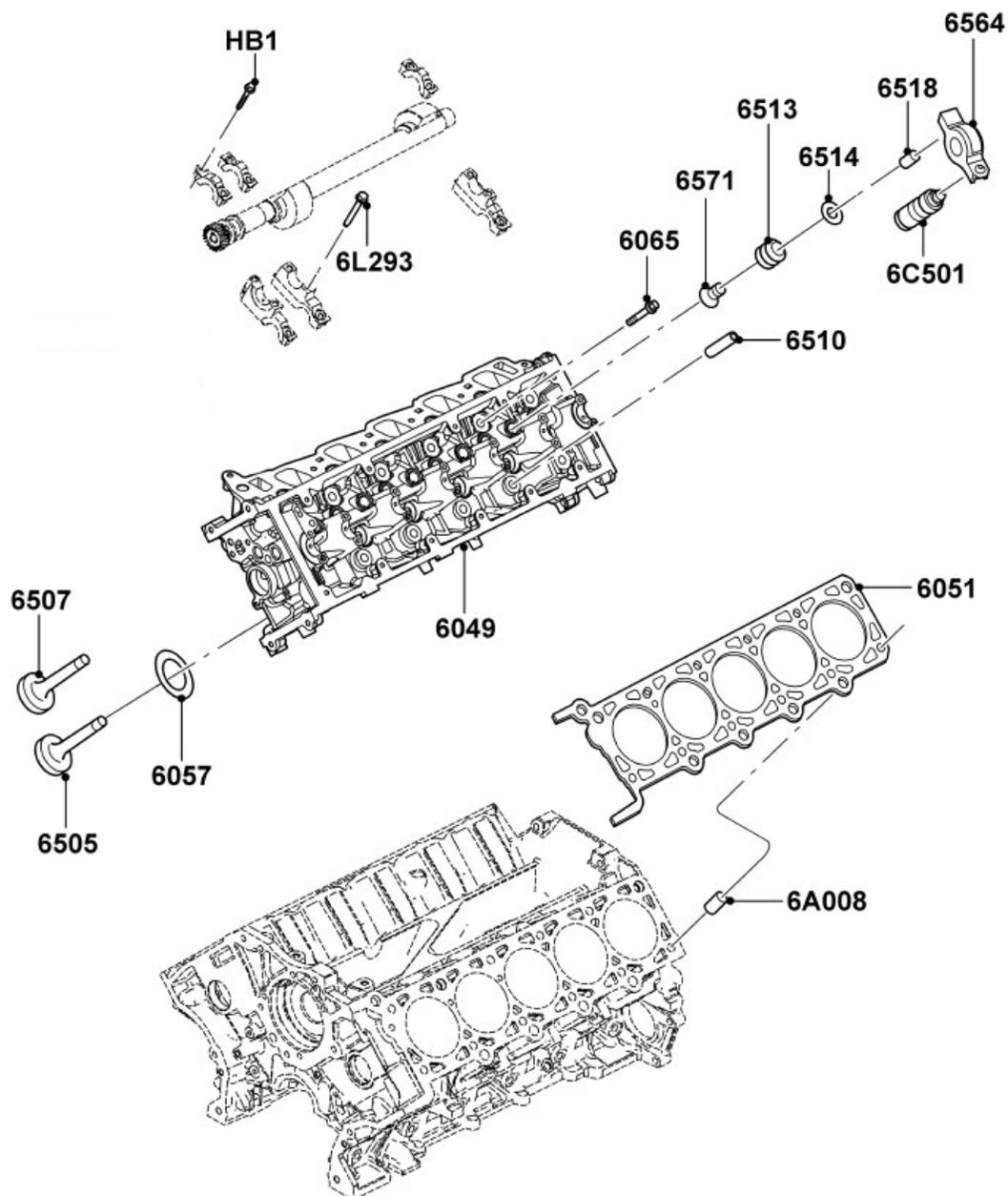
ITEM	PART NO.	DESCRIPTION	QTY
6A008	0D34540108	DOWEL, HEAD TO BLOCK	4
6010	0H09230149	BARE BLOCK	1
6026	0F7316B111	PLUG, 1.75SS, CUP, 4 LEFT, 4 RIGHT,2REAR	10
6026	0H09230164	PLUG, 13.84MM, CUP, FRONT	2
6026	0D34540103	PLUG, 3/8-18X.425 SOCKET HEAD	2
6026	0E96180118	PLUG, 38.3MM, CUP, SS, 1 FRONT, 1 REAR	2
6345	0F19600111	BOLT, MAIN CAP, M10X1.5X94.5, HEX HEAD***	11
6345	0F19600113	STUD BOLT, M8X1.25XM10X1.5X126***	1
6345	0F1960A176	BOLT, MAIN CAP, M9X1.25X53 HEX HEAD***	12
6A346	0D34540145	DOWEL, MAIN CAP	12
8555	0H09230166	TUBE, WATER, FOR HEATER	1
18663	0H09230137	TUBE, WATER	1
6397	0F97650111	PIN, DOWEL, TO TIMING CVR.,.8.0X45.5 (HM2)	2
NOT SHOWN	0H09230201	NUT, M12	4
NOT SHOWN	0H09230202	BOLT, MOUNT TO BLOCK,M10X1.5X28.5	4
NOT SHOWN	0H09230191	BOLT, MOUNT TO BLOCK,M10X1.5X70	4
HM1	0H09230193	PIN, DOWEL, TO TIMING CHAIN GUIDES	2
HB1	0H09230198	SCREW, KNOCK SENSOR, M8X30MM	1

\*\*\* DO NOT RE USE MAIN BEARING CAP BOLTS

Note: The right and left banks of engine are determined by viewing the engine from the flywheel side.

## 6.8L Gas Engine Cylinder Head

Note: The right and left banks of engine are determined by viewing the engine from the flywheel side.



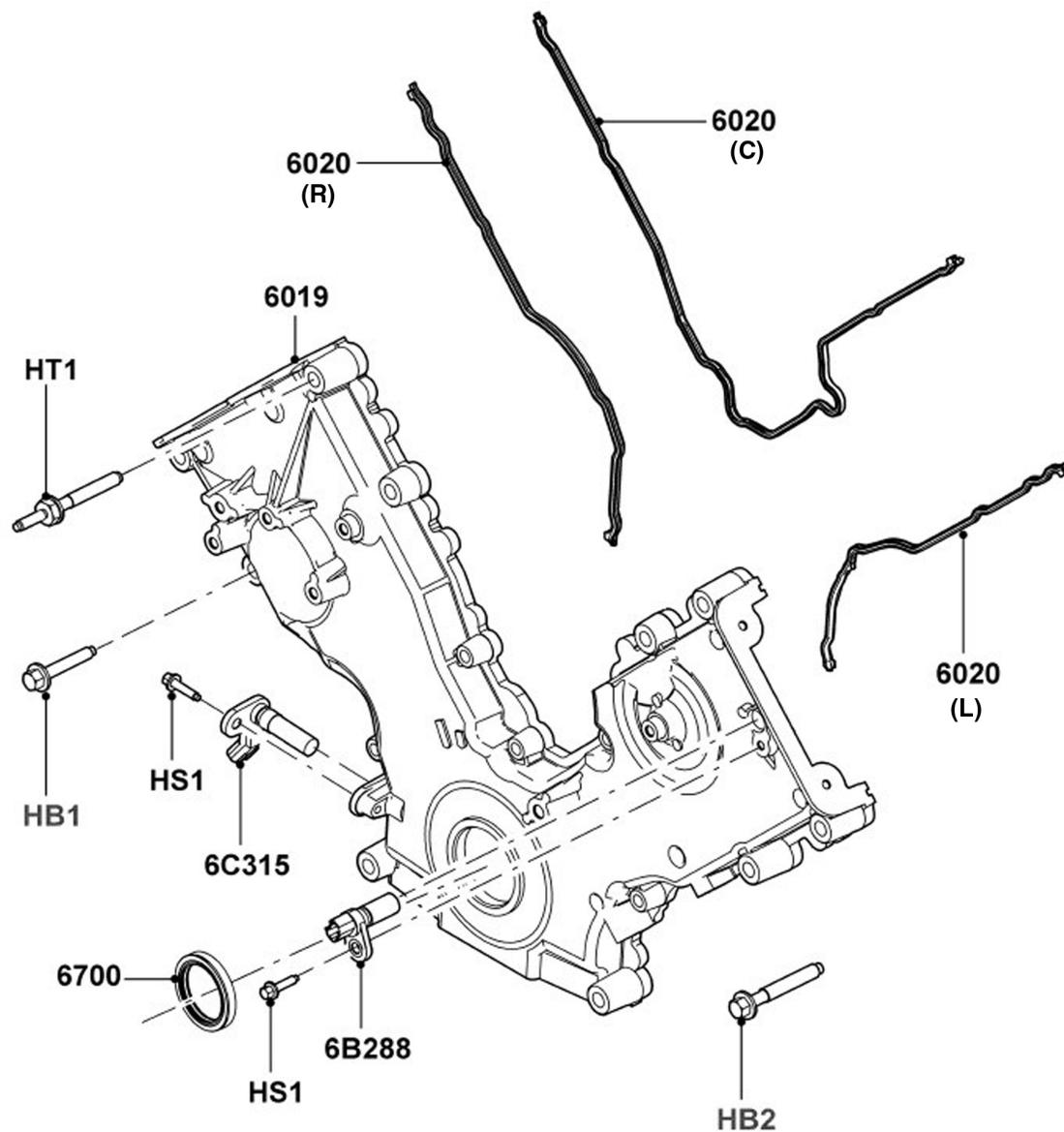
## 6.8L Gas Engine Cylinder Head

ITEM	PART NO.	DESCRIPTION	QTY
6049	0H09230159	HEAD, CYLINDER, RH, BARE	1
6049	0H09230160	HEAD, CYLINDER, LH, BARE	1
6049	0H09230117	HEAD, CYLNDR, RH, W/VALVES & CAMSHAFT	1
6049	0H09230118	HEAD,CYLNDR, LH, W/VALVES & CAMSHAFT	1
6051	0D34540170	GASKET, CYLINDER HEAD, RH	1
6051	0D34540171	GASKET, CYLINDER HEAD, LH	1
6057	0F1960A196	INSERT, INTAKE VALVE SEAT	10
6057	0F1960A197	INSERT, EXHAUST VALVE SEAT	10
6065	0F19600105	HEAD BOLT, LONG,M11X1.5X213.5,HH,FLANGE	24
6L293	0F19600124	BOLT, CAM CAPS, M6X1.0X42.5	26
HB1	0D34540176	BOLT, BALANCE SHAFT CAPS, M6X1.0X84.5	6
6A008	0D34540108	PIN, DOWEL, HEAD TO BLOCK	4
6026	0D34540166	PLUG, CYLNDR HEAD PRESS. RELIEF, 11.4MM CUP	4
6026	0E96180118	PLUG, 38.3MM CUP, STAINLESS STEEL	2
6026	0F97650114	PLUG, OIL GALLERY, 3/8-16 PIPE or is it 3/8-18 pipe?	4
NOT SHOWN	0D34540187	PLUG, PIPE, 1/8-27 SOCKET HEX	2
6505	0D34540178	VALVE, EXHAUST	10
6507	0D34540179	VALVE, INTAKE	10
6510	0D34540180	BUSHING, VALVE GUIDE, INTAKE&EXHAUST	20
6571	0F19600130	SEAL, VALVE STEM	20
6513	0D34540181	SPRING, VALVE	20
6514	0D34540182	RETAINER, VALVE SPRING	20
6518	0D34540183	LOCK, VALVE SPRING	40
6C501	0D34540177	ADJUSTER, VALVE LASH	20
6564	0D34540184	ARM, ROCKER	20

Note: The right and left banks of engine are determined by viewing the engine from the flywheel side.

## 6.8L Gas Engine Timing Cover

Note: The right and left banks of engine are determined by viewing the engine from the flywheel side.



## 6.8L Gas Engine Timing Cover

ITEM	PART NO.	DESCRIPTION	QTY
6019	0D34540205	COVER & GASKETS, FRONT	1
6020	0D34540206	GASKET, FRONT COVER, LH	1
6020	0D34540207	GASKET, FRONT COVER, CENTER	1
6020	0D34540208	GASKET, FRONT COVER, RH	1
6B288	0D34540230	SENSOR, CAM	1
6C315	0F73160110	SENSOR, CRANK	1
6700	0D34540217	TIMING COVER CRANKSHAFT SEAL	1
HB1	0F19600134	SCREW/WASHER, FRONT CVR, M10X1.5X103.1	3
HB2	0F73160125	BOLT, FRONT COVER, M8X1.25X53	A/R
NOT SHOWN	0F19600135	STUD, FRONT CVR, M10X1.5X1.5X103.1	2
HS1	0F73160111	BOLT, CAM AND CRANK SENSORS TO TIMING CVR, M6X1.0X27.5	2
HT1	0F19600236	STUD, WASHER, FRNT CVR, M10X1.5/M8X1.25X106.7	5

Note: The right and left banks of engine are determined by viewing the engine from the flywheel side.



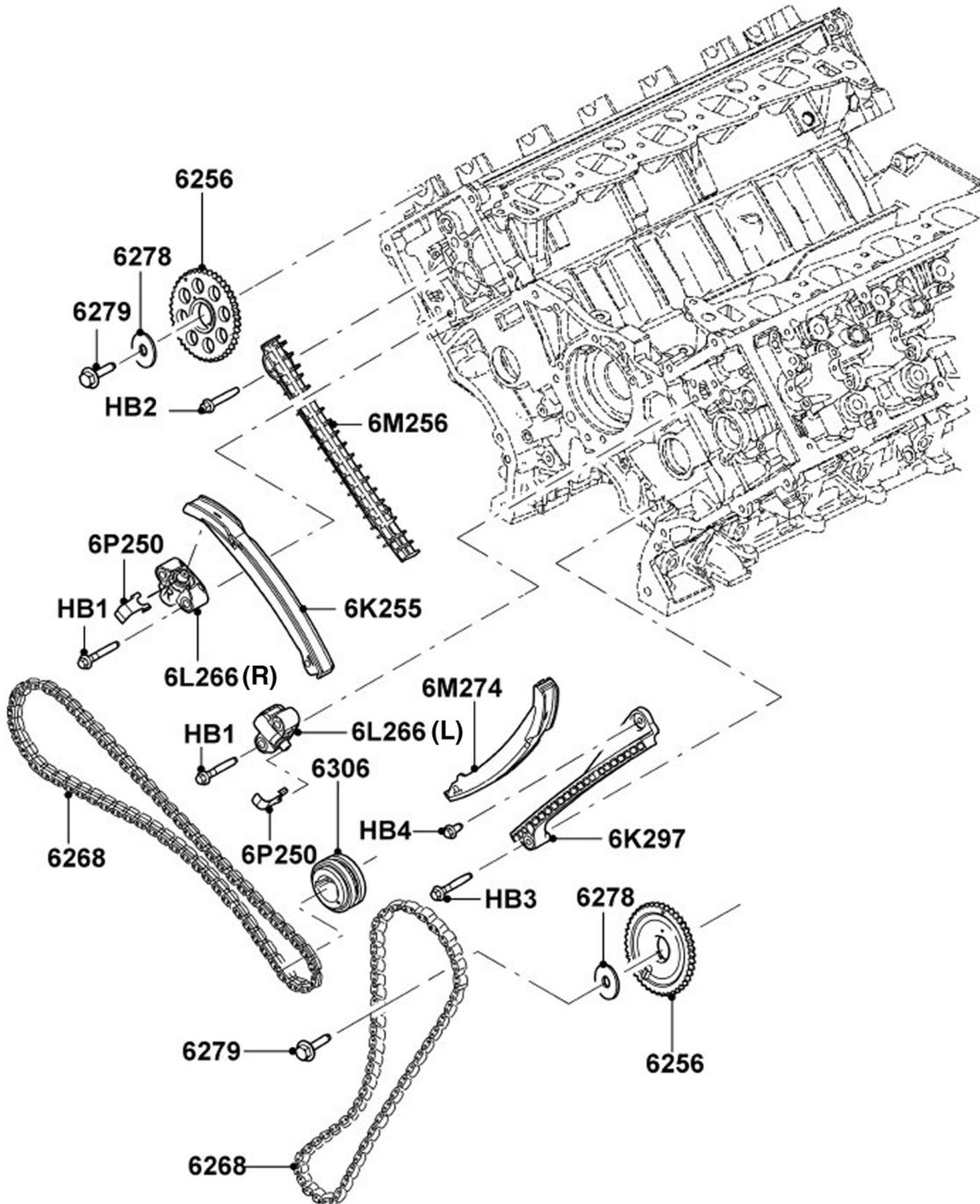
## 6.8L Gas Engine Piston, Rod and Crank

ITEM	PART NO.	DESCRIPTION	QTY
6108	0F19600136	PISTON, STANDARD	10
6108	0H09230204	PISTON, .010"/.25MM O/S	A/R
6108	0H09230205	PISTON, .020"/.50MM O/S	A/R
6135	0F19600137	PIN, PISTON	10
6140	0D34540113	RETAINER, PISTON PIN	20
6148	0F19600138	RINGSET, STANDARD(SET IS FOR 2 PISTONS)	5
6148	0F1960A143	RINGSET, .010"/.25MM O/S	A/R
6148	0F1960A144	RINGSET, .020"/.50MM O/S	A/R
6200	0F1960A153	ROD ASSY., CONNECTING	10
6214	0D34540120	BOLT, CONNECTING ROD	20
6207	0F19600139	BUSHING, PIN	10
6211	0F73160117	BEARING, ROD, STANDARD	20
6211	0F1960A141	BEARING, ROD, .020"/.50MM UNDERSIZE	A/R
6303	0D34540122	CRANKSHAFT	1
6D309	0F19600142	BEARING KIT, MAIN, STANDARD GRADE 1	A/R
6D309	0F1960A120	BEARING KIT, MAIN, STANDARD GRADE 2	A/R
6D309	0F1960A121	BEARING KIT, MAIN, STANDARD GRADE 3	A/R
6D309	0H09230121	BEARING KIT,MAIN .010"OR .25MM U/S, GRADE 1	A/R
6D309	0H09230122	BEARING KIT,MAIN .010"OR .25MM U/S, GRADE 2	A/R
6D309	0H09230123	BEARING KIT, MAIN .010" OR .25MM U/S GRADE 3	A/R
6D309	0H09230224	BEARING KIT, MAIN, .020" OR .50MM, UNDERSIZE	A/R
6D309	0H09230209	BEARING KIT, MAIN, .030" OR .75MM UNDERSIZE	A/R
6701	0D34540126	SEAL, CRANKSHAFT REAR OIL	1
6K301	0F73160148	RETAINER, REAR OIL SEAL	1
NOT SHOWN	0F97650111	PIN,DOWEL,REAR CRANKSHAFT SEAL RETAINER	2
NOT SHOWN	0F73160111	BOLT, REAR CRANKSHAFT SEAL RETAINER, M8X1.0X27.5	6
6306	0D34540216	GEAR, CRANKSHAFT TIMING	1
6B316	0F73160147	KEY, WOODRUFF, CRANKSHAFT, 3/16"X1.40"	1
6310	0F19600146	SLINGER, REAR CRANKSHAFT, OIL	1

Note: The right and left banks of engine are determined by viewing the engine from the flywheel side.

## 6.8L Gas Engine Timing Gears

Note: The right and left banks of engine are determined by viewing the engine from the flywheel side.



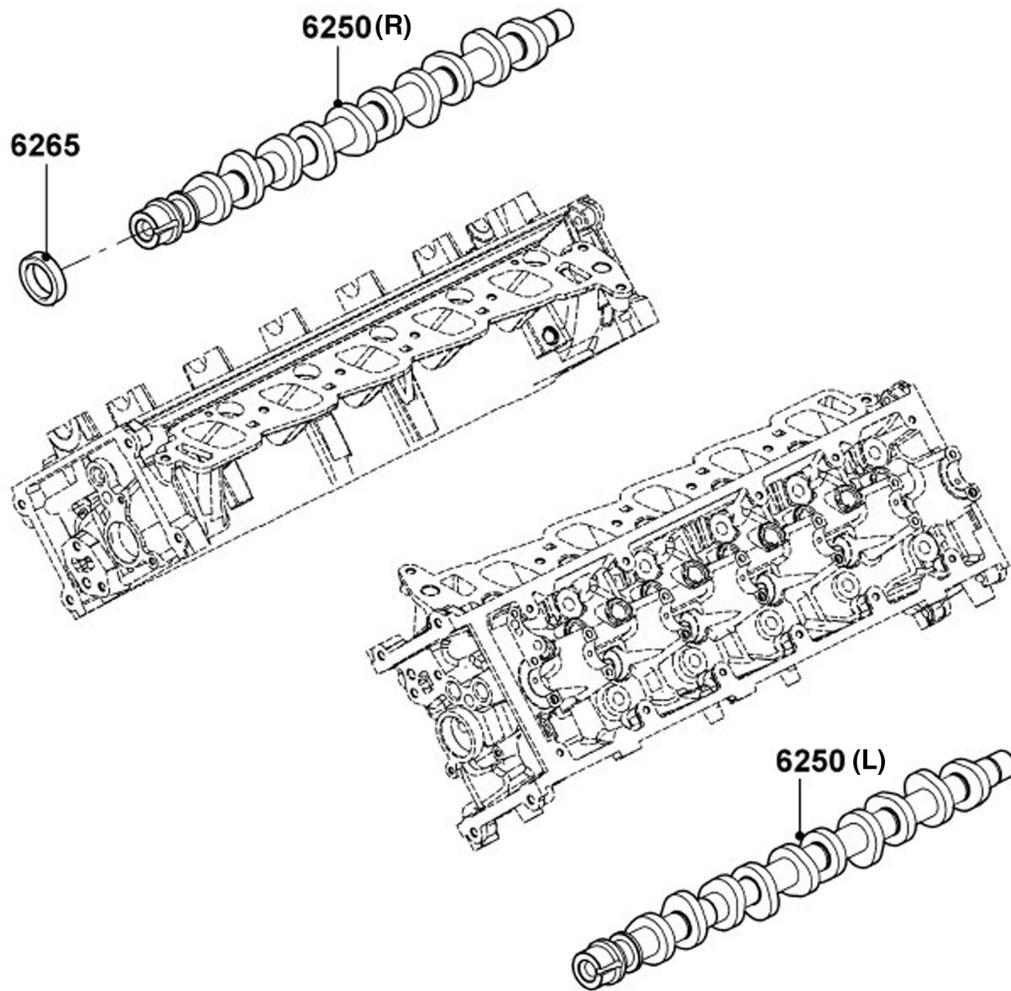
## 6.8L Gas Engine Timing Gears

ITEM	PART NO.	DESCRIPTION	QTY
6K255	0D34540209	ARM, TIMING CHAIN, TENSIONER, RH	1
6M256	0F19600147	GUIDE, TIMING CHAIN, RH	1
6L266	0D34540211	TENSIONER, TIMING CHAIN, LH	1
6L266	0D34540212	TENSIONER, TIMING CHAIN, RH	1
6256	0D34540190	GEAR, CAM RH	1
6256	0D34540191	GEAR, CAM LH	1
6268	0F19600150	CHAIN, TIMING	2
6M274	0D34540214	ARM, TIMING CHAIN TENSIONER, LH	1
6K297	0F19600152	GUIDE, TIMING CHAIN, LH	1
6278	0D34540193	WASHER, CAMSHAFT, 13.5X48.5X5.3	1
6279	0D34540204	BOLT, CAM SPROCKET, M10X1.5X47.5, HEX HEAD	2
6306	0D34540216	SPROCKET, CRANK	1
NOT SHOWN	0H09230172	RING, IGNITION PULSE, CRANK PULSE SENSOR	1
HB4	0E96180124	BOLT, TIMING CHAIN GUIDES, 1LH,2RH, M6X1.0X22.5	3
HB3	0D34540220	BOLT, TIMING CHAIN GUIDES, LH, M6X1.0X67.5	1
HB2	0H09230203	BOLT, TENSIONER, M8X1.25X53	4
HB1	0D34540221	BOLT M8 X 1.25 X 53MM	A/R
6P250		CONTACT PARTS	2

Note: The right and left banks of engine are determined by viewing the engine from the flywheel side.

## 6.8L Gas Engine Camshaft

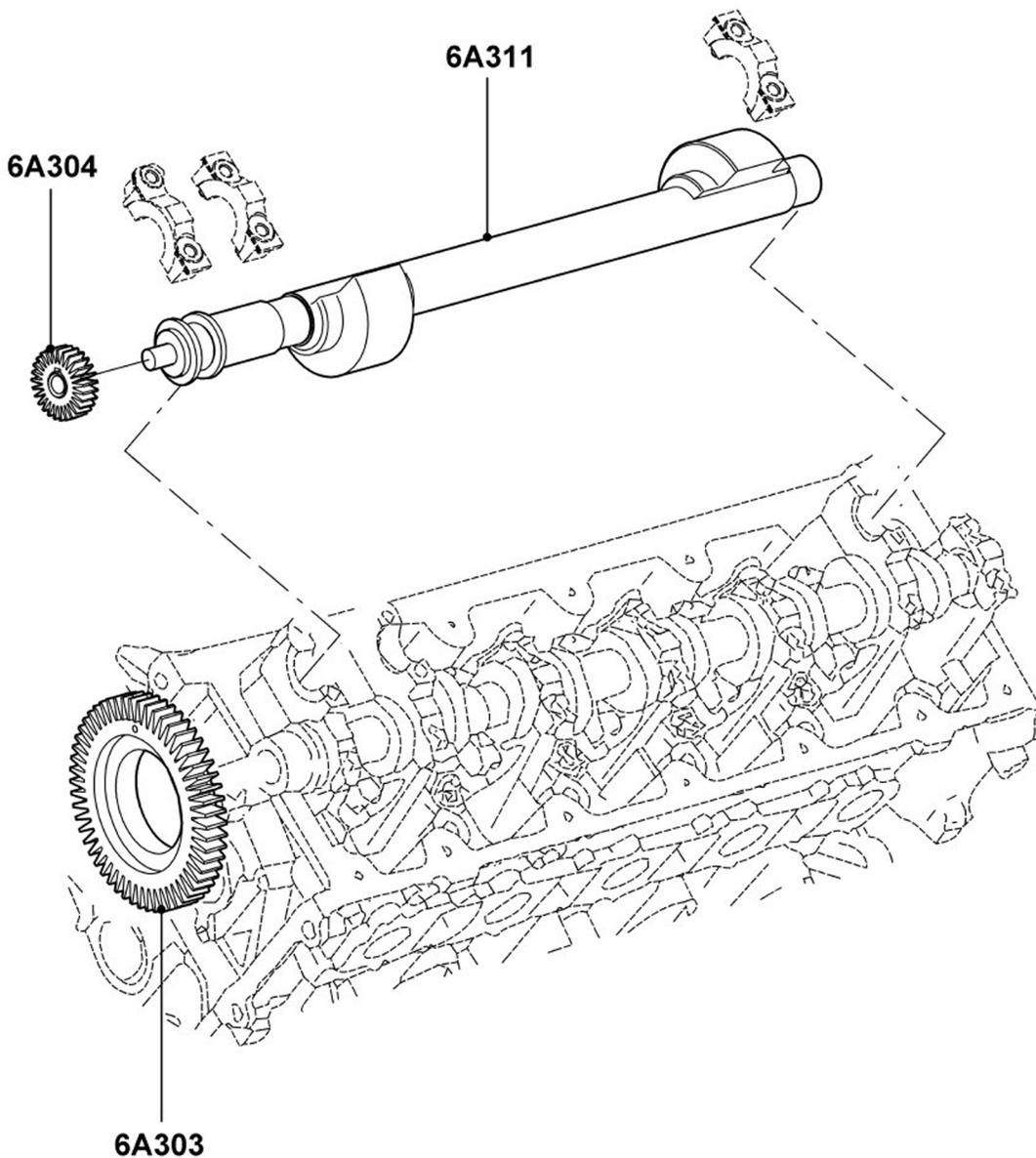
Note: The right and left banks of engine are determined by viewing the engine from the flywheel side.



ITEM	PART NO.	DESCRIPTION	QTY
6250	0D34540188	CAMSHAFT, RH	1
6250	0D34540189	CAMSHAFT, LH	1
6265	0D34540192	SPACER, CAM GEAR, RH	1

## 6.8L Gas Engine Balance Shaft

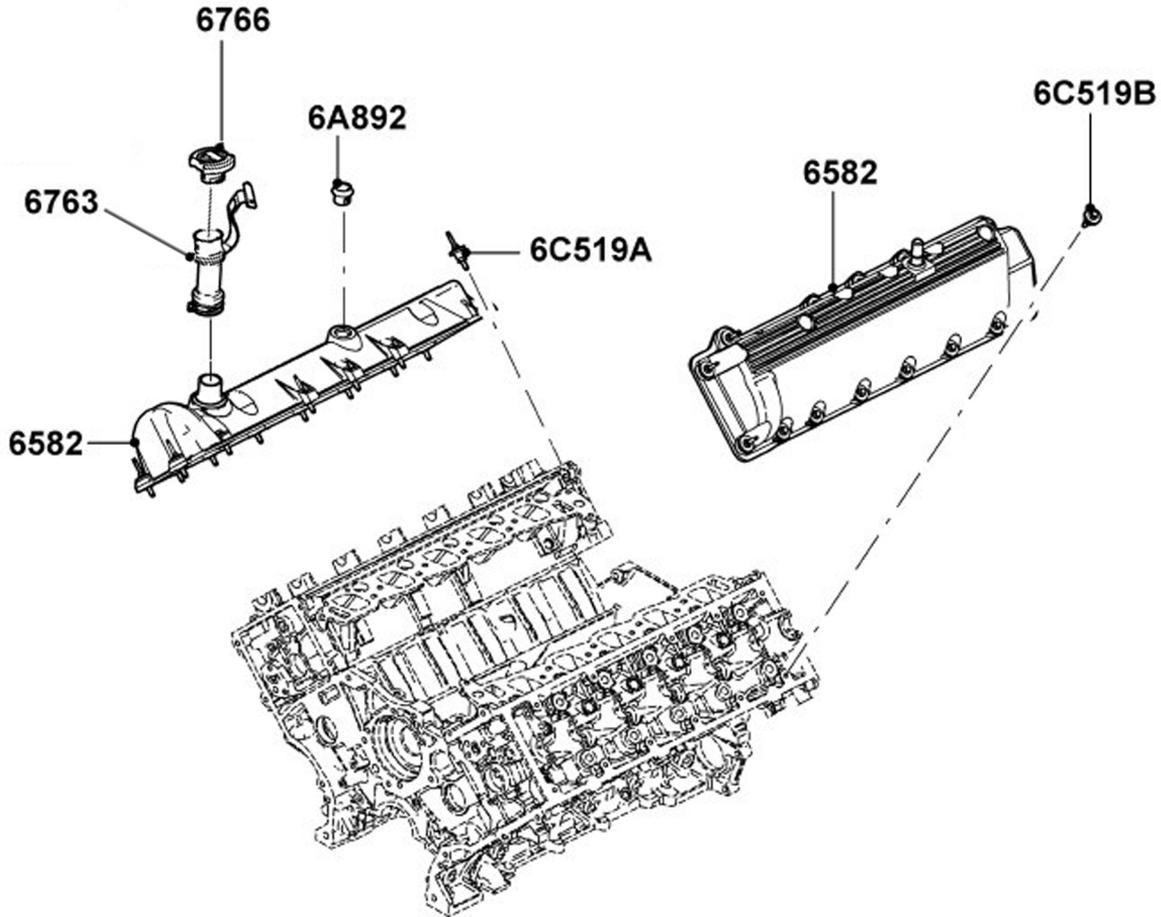
Note: The right and left banks of engine are determined by viewing the engine from the flywheel side.



ITEM	PART NO.	DESCRIPTION	QTY
6A303	0D34540194	GEAR, BALANCE SHAFT, ON CAMSHAFT	1
6A304	0D34540195	GEAR, BALANCE SHAFT, ON BALANCE SHAFT	1
6A311	0D34540196	BALANCE SHAFT & GEAR	1

## 6.8L Gas Engine Rocker Cover

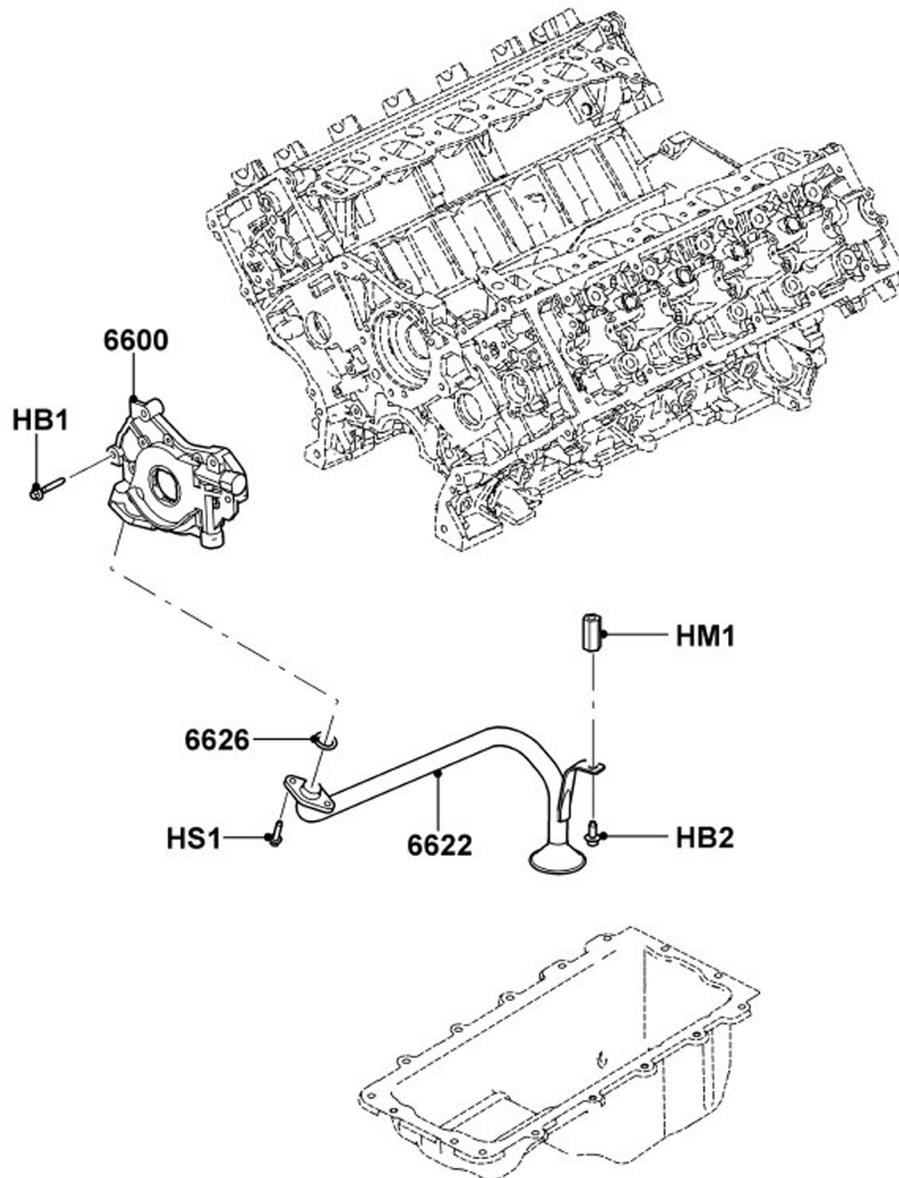
Note: The right and left banks of engine are determined by viewing the engine from the flywheel side.



ITEM	PART NO.	DESCRIPTION	QTY
6582	0D34540199	COVER, ROCKER & GASKET, RIGHT	1
6582	0H09230132	CVR, RKR & GSKT, LEFT, (AFTER 05/04)	1
6C519	0H09230213	"A" STUD&GROMMET, RKR CVR TO HEAD	A/R
6C519	0H09230212	"B" BOLT & GROMMET, RKR CVR TO HEAD	A/R
6A892	0H09230218	GROMMET, PCV VALVE	1
6763	0H09230154	TUBE, EXTENSION, OIL/2007	1
6766	0D34540203	CAP, OIL FILLER	1

## 6.8L Gas Engine Oil Pump

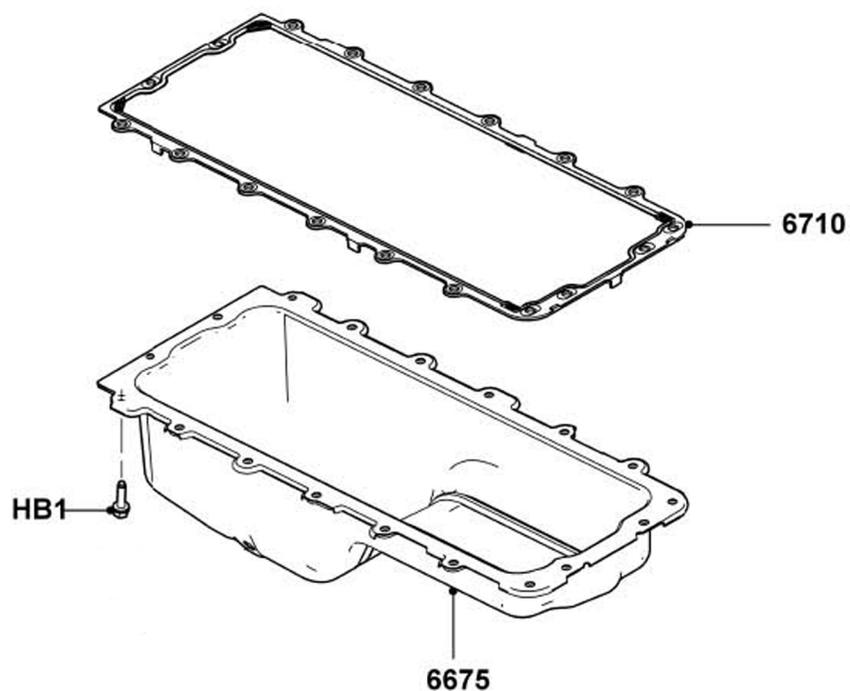
Note: The right and left banks of engine are determined by viewing the engine from the flywheel side.



ITEM	PART NO.	DESCRIPTION	QTY
6600	0F73160179	PUMP ASSY., OIL	1
HB1	0F73160180	BOLT, OIL PUMP, M6X1.0X42.5, HEX	3
6622	0F19600165	SCREEN & COVER	1
HS1	0F73160111	BOLT, PICK UP TUBE TO BLOCK, M8X1.0X27.5, HEX HEAD	2
6626	0D34540148	SEAL, SCREEN AND COVER	1
HM1	0D34540160	SPACER, SCREEN & COVER, M8X1.25X19	1
HB2	0D34540162	BOLT, SCREEN & COVER TO SPACER, M8X1.25X19 HEX	1

## 6.8L Gas Engine Oil Pan

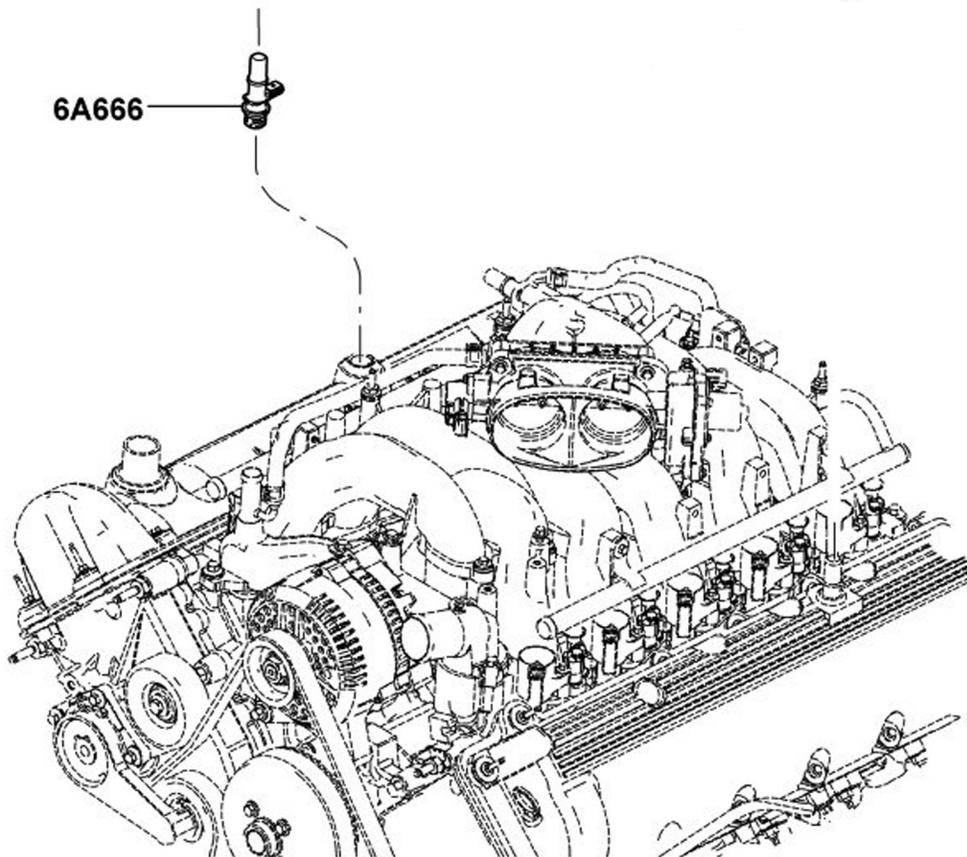
Note: The right and left banks of engine are determined by viewing the engine from the flywheel side.



ITEM	PART NO.	DESCRIPTION	QTY
6675	0D34540150	PAN, OIL	1
6710	0D34540151	GASKET, OIL PAN	1
HB1	0F19600170	BOLT, OIL PAN, M8X30, HEX FLANGE HEAD	18

## 6.8L Gas Engine Crankcase Ventilation

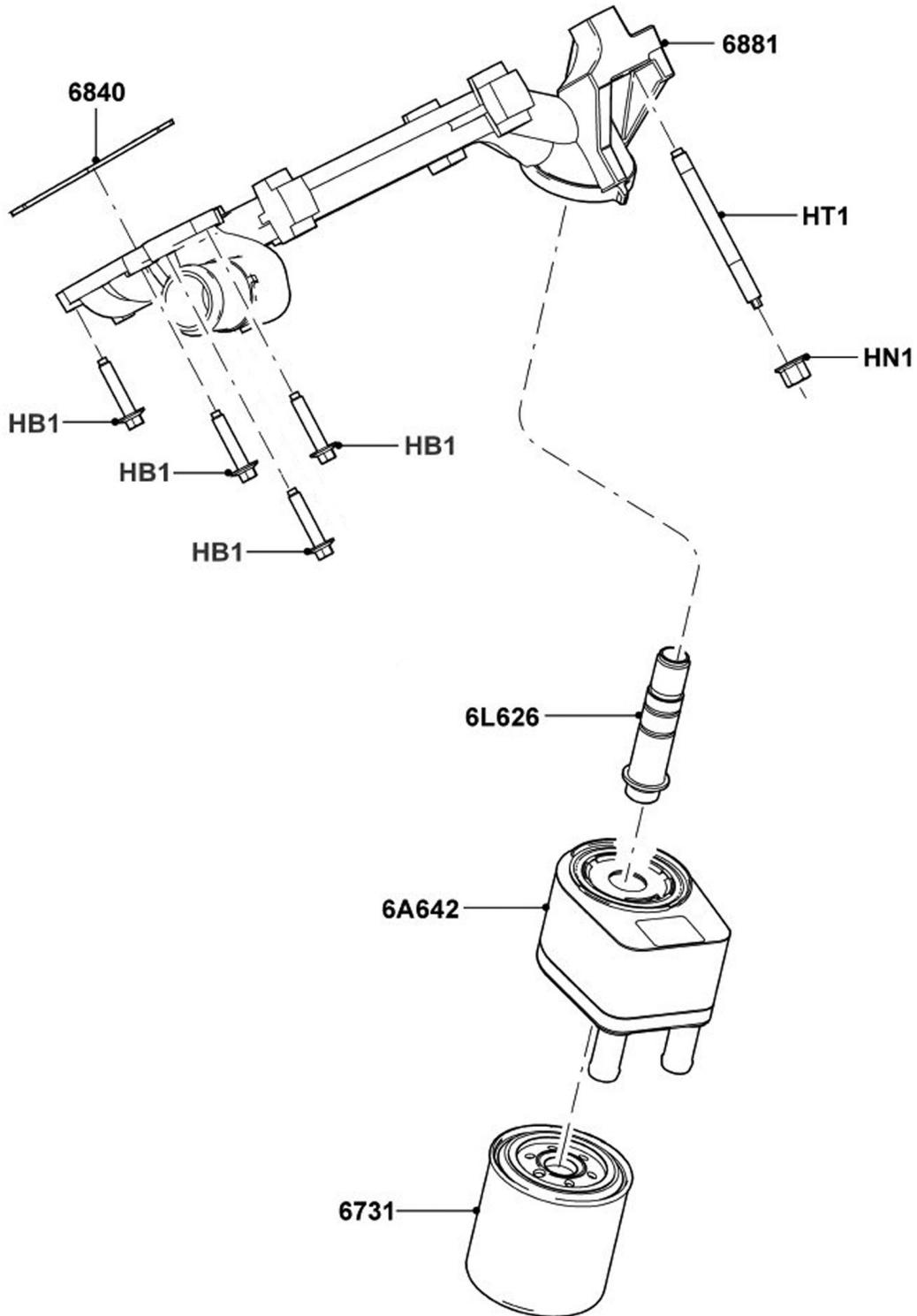
Note: The right and left banks of engine are determined by viewing the engine from the flywheel side.



ITEM	PART NO.	DESCRIPTION	QTY
6A666	0H09230134	VALVE, PCV, (AFTER 05/04)	1

## 6.8L Gas Engine Oil Filter

Note: The right and left banks of engine are determined by viewing the engine from the flywheel side.



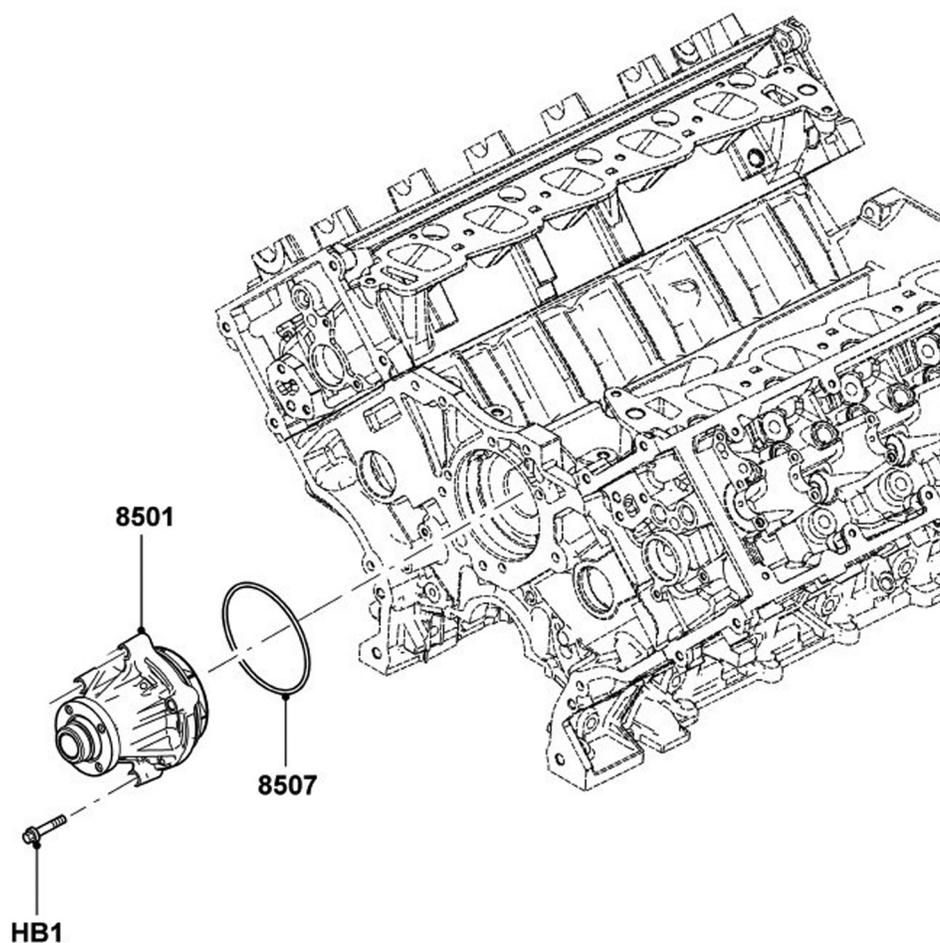
## 6.8L Gas Engine Oil Filter

ITEM	PART NO.	DESCRIPTION	QTY
6731	0D5419	FILTER, OIL	1
6840	0D34540154	GASKET, OIL FILTER ADAPTER	1
6881	0H09230217	ADAPTER, OIL FILTER	1
6890	0D34540156	INSERT, OIL FILTER	1
HB1	0F73160178	BOLT, ADAPTER TO ENGINE, M8X1.25X41, HEX HEAD	4
HN1	0D34540158	NUT, ADAPTOR TO ENGINE, REAR	1
HT1	0F19600237	STUD, ADAPTOR TO ENGINE, REAR	1
6A642	0H09230185	OIL COOLER	1
6L626	0F1960A112	INSERT, OIL FILTER – COOLER USED WITH OIL COOLER	1

Note: The right and left banks of engine are determined by viewing the engine from the flywheel side.

## 6.8L Gas Engine Water Pump

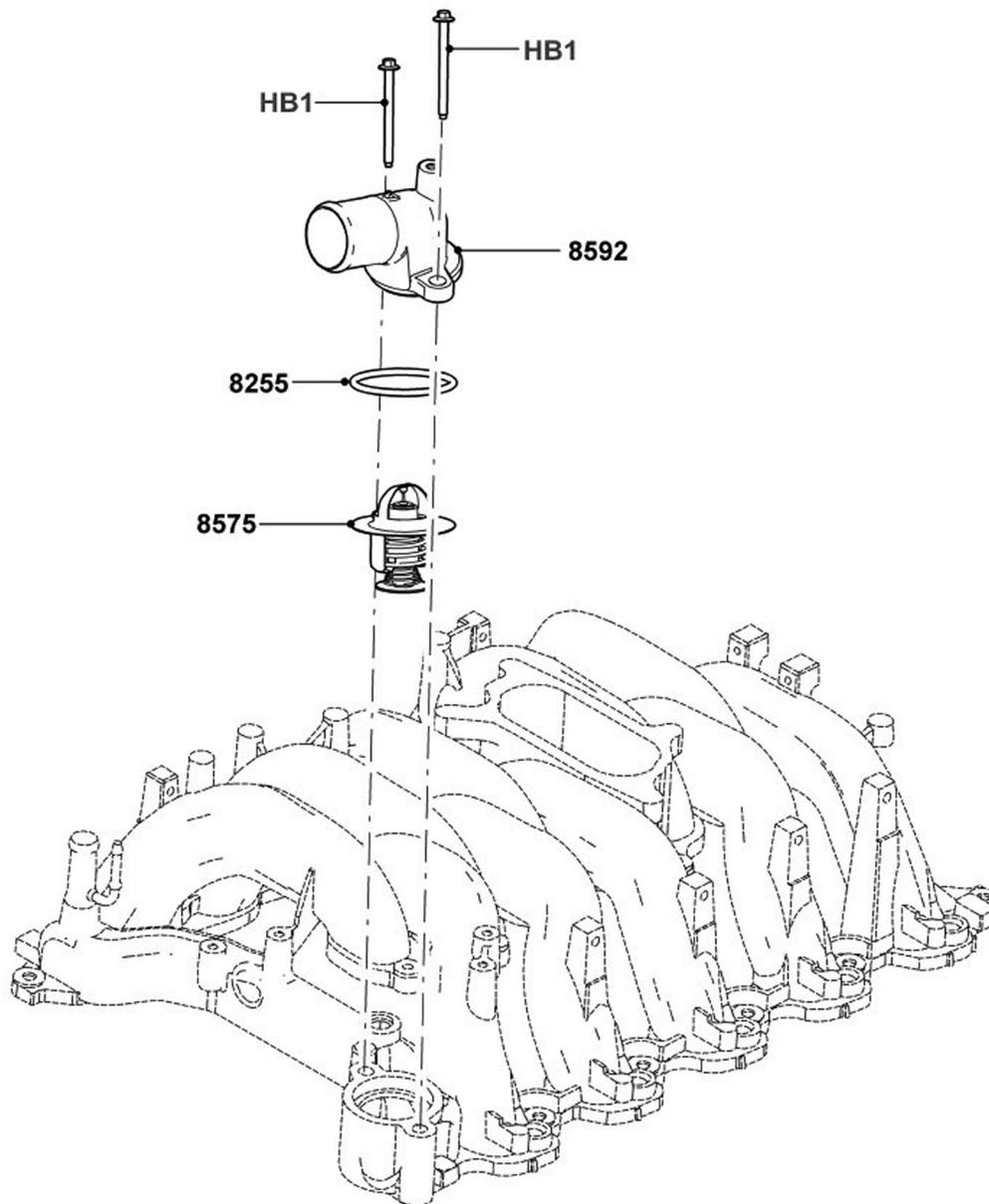
Note: The right and left banks of engine are determined by viewing the engine from the flywheel side.



ITEM	PART NO.	DESCRIPTION	QTY
8501	0D34540232	PUMP, WATER	1
8507	0D34540233	GASKET, WATER PUMP	1
HB1	0D34540234	BOLT, WATER PUMP, M8X1.25X38	3

## 6.8L Gas Engine Thermostat

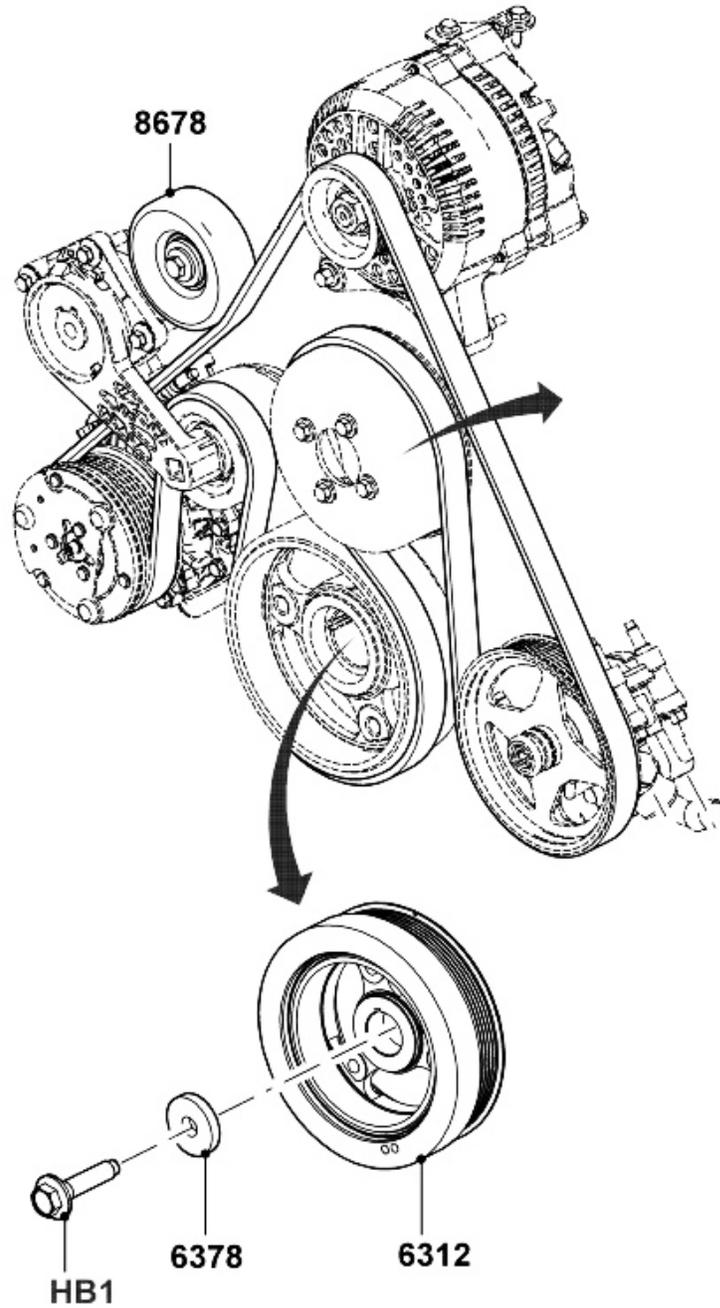
Note: The right and left banks of engine are determined by viewing the engine from the flywheel side.



ITEM	PART NO.	DESCRIPTION	QTY
8575	0F2844	THERMOSTAT	1
8592	0F2851	HOUSING, THERMOSTAT	1
8255	0F2843	GASKET, HOUSING, 48.5X3.63 "O"RING	1
HB1	0F73160198	SCREW, WATER OUTLET, M8X1.25X93.5 HEX HEAD	2

## 6.8L Gas Engine Damper/Pulley

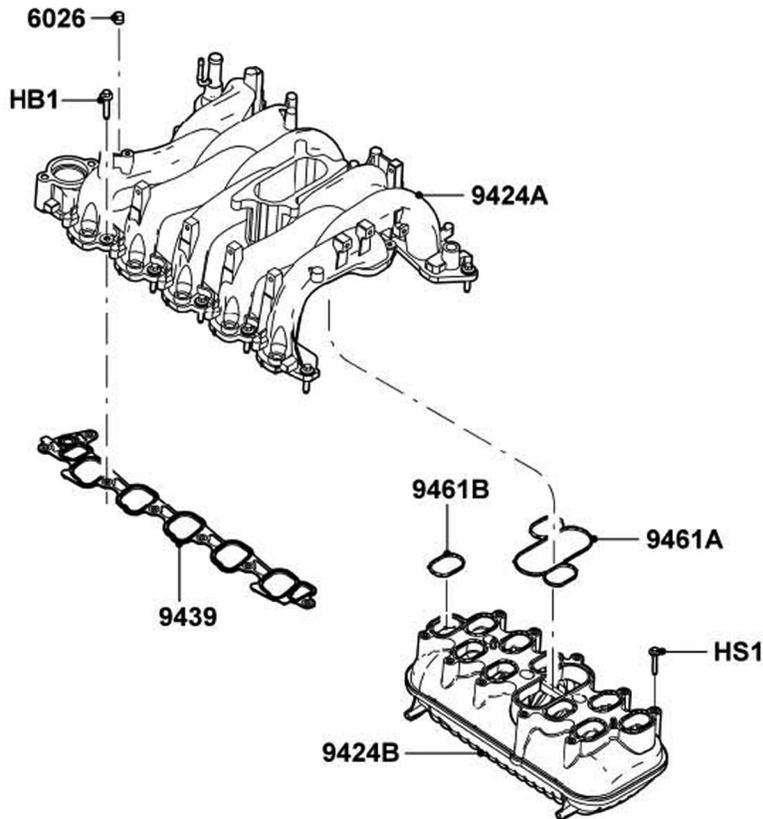
Note: The right and left banks of engine are determined by viewing the engine from the flywheel side.



ITEM	PART NO.	DESCRIPTION	QTY
6312	0H09230150	DAMPER/PULLEY	1
6378 & HB1	0D34540228	BOLT & WASHER, DAMPER	1
8678	0F7316C178	IDLER, PULLEY, SMOOTH	1

## 6.8L Gas Engine Intake Manifold

Note: The right and left banks of engine are determined by viewing the engine from the flywheel side.

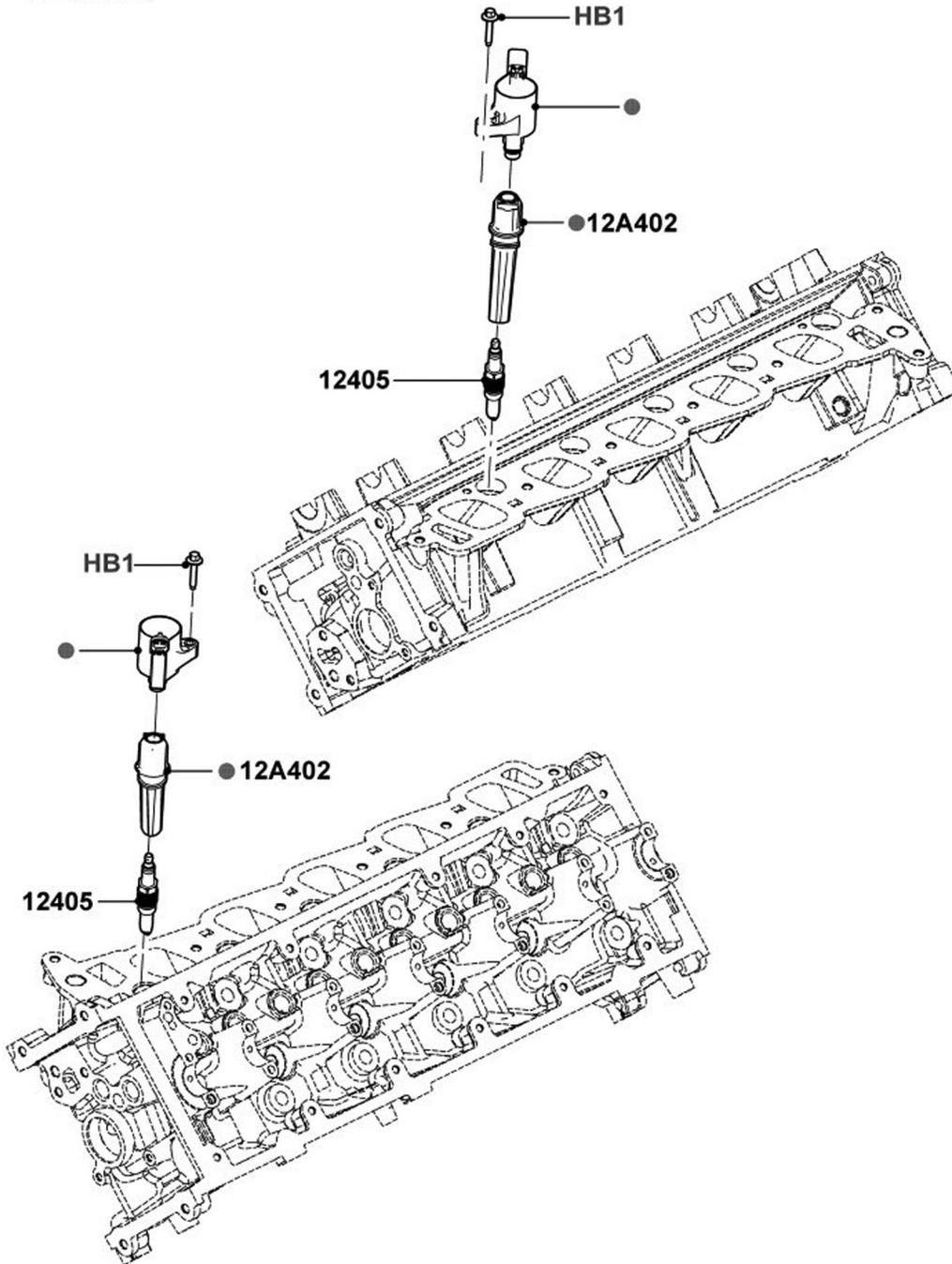


ITEM	PART NO.	DESCRIPTION	QTY
6026	0D34540103	PLUG, 3/8"-18 X .425 PIPE PLUG	1
9424B	0H09230110	MANIFOLD, INTAKE, LOWER, ALUMINUM (NOT REP.11-07)	1
9424A	0H09230119	MANIFOLD, INTAKE, UPPER	1
9229	0H09230152	SEAL	1
NOT SHOWN	0D34540240	CAP, TUBE, 1/4" INT. MANIFOLD HEATER INLET, FRONT	1
9439	0D34540247	GASKET, INTAKE MANIFOLD TO CYLINDER HEAD	2
9461A	0H09230135	GASKET, "A", UPPER TO LOWER PLASTIC INT. MNFLD.	8
9461B	0H09230136	GASKET, "B", UPPER TO LOWR PLASTIC INT. MNFLD.	1
9461	0H09230177	GASKET, ONE PIECE, UPPER TO LOWER, ALUM, INT MNFLD.	1
HB1	0F73160178	BOLT, UPPER INTAKE TO CYL.BLOCK, M8X1.25X43MM	11
HS1	0F7316B170	BOLT, M6X1.0X42.5, UPPER TO LOWER INTAKE MANIFOLDS	10
NOT SHOWN	0F97650210	ISOLATER ASY /SCREW TO INTAKE MANIFOLD	A/R

## 6.8L Gas Engine Ignition System

Note: The right and left banks of engine are determined by viewing the engine from the flywheel side.

● = 12029



ITEM	PART NO.	DESCRIPTION	QTY
12405	0D34540186	PLUG, SPARK (PLATINUM)	10
12029	0F2842	COIL & BOOT ASSY., IGNITION	10
HB1	0D34540252	BOLT, COIL ON PLG., M5X25 HEX HEAD	10







Part No. 0h0923PMNL rev. A / Printed in USA 05/28/10  
©2010 Generac Power Systems, Inc. All rights reserved.  
Specifications are subject to change without notice

No reproduction allowed in any form without prior written consent from Generac Power Systems, Inc.

**GENERAC**<sup>®</sup>

Generac Power Systems, Inc.  
S45 W29290 Hwy. 59  
Waukesha, WI 53189  
1-888-GENERAC (1-888-436-3722)

[generac.com](http://generac.com)

## Free Manuals Download Website

<http://myh66.com>

<http://usermanuals.us>

<http://www.somanuals.com>

<http://www.4manuals.cc>

<http://www.manual-lib.com>

<http://www.404manual.com>

<http://www.luxmanual.com>

<http://aubethermostatmanual.com>

Golf course search by state

<http://golfingnear.com>

Email search by domain

<http://emailbydomain.com>

Auto manuals search

<http://auto.somanuals.com>

TV manuals search

<http://tv.somanuals.com>