



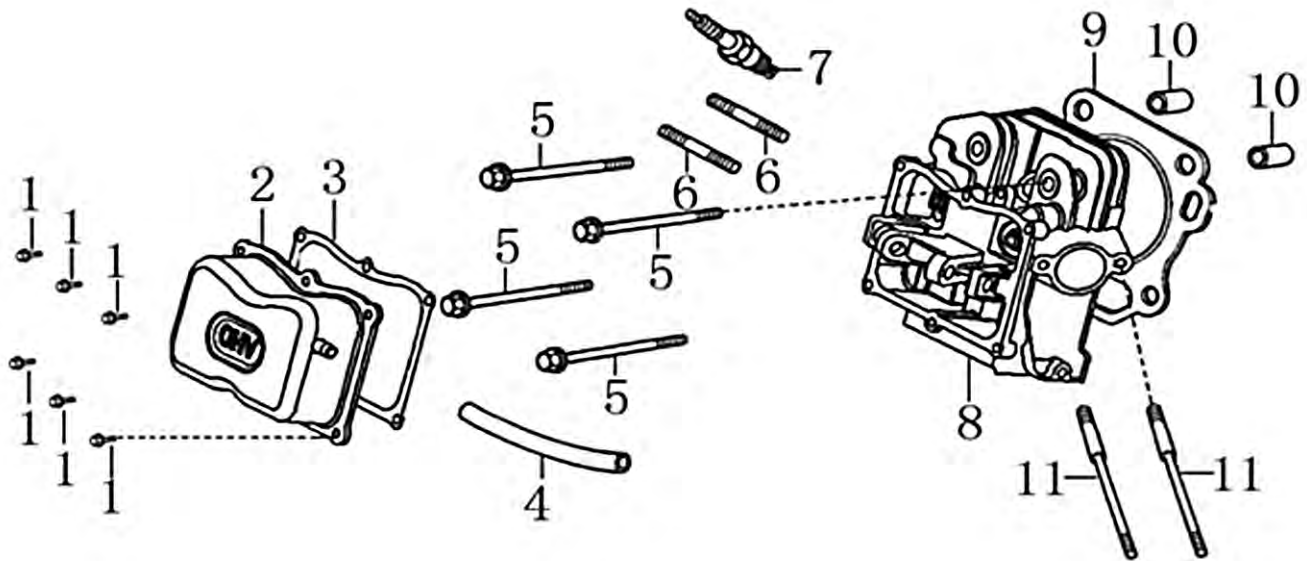
Engine Parts Manual

420cc (G19)

NOTICE!

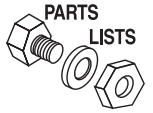
The information in this manual is known to be accurate as of the date of release shown on the cover. However, engineering changes can occur without notice. To obtain the proper parts, please be sure to use the serial number of the unit being serviced when ordering from this manual. Always refer to any parts notes and changes before ordering. All other parts not shown in this manual can be found on Generac's exploded view drawings online on GENservice at www.generac.com.

Cylinder Head

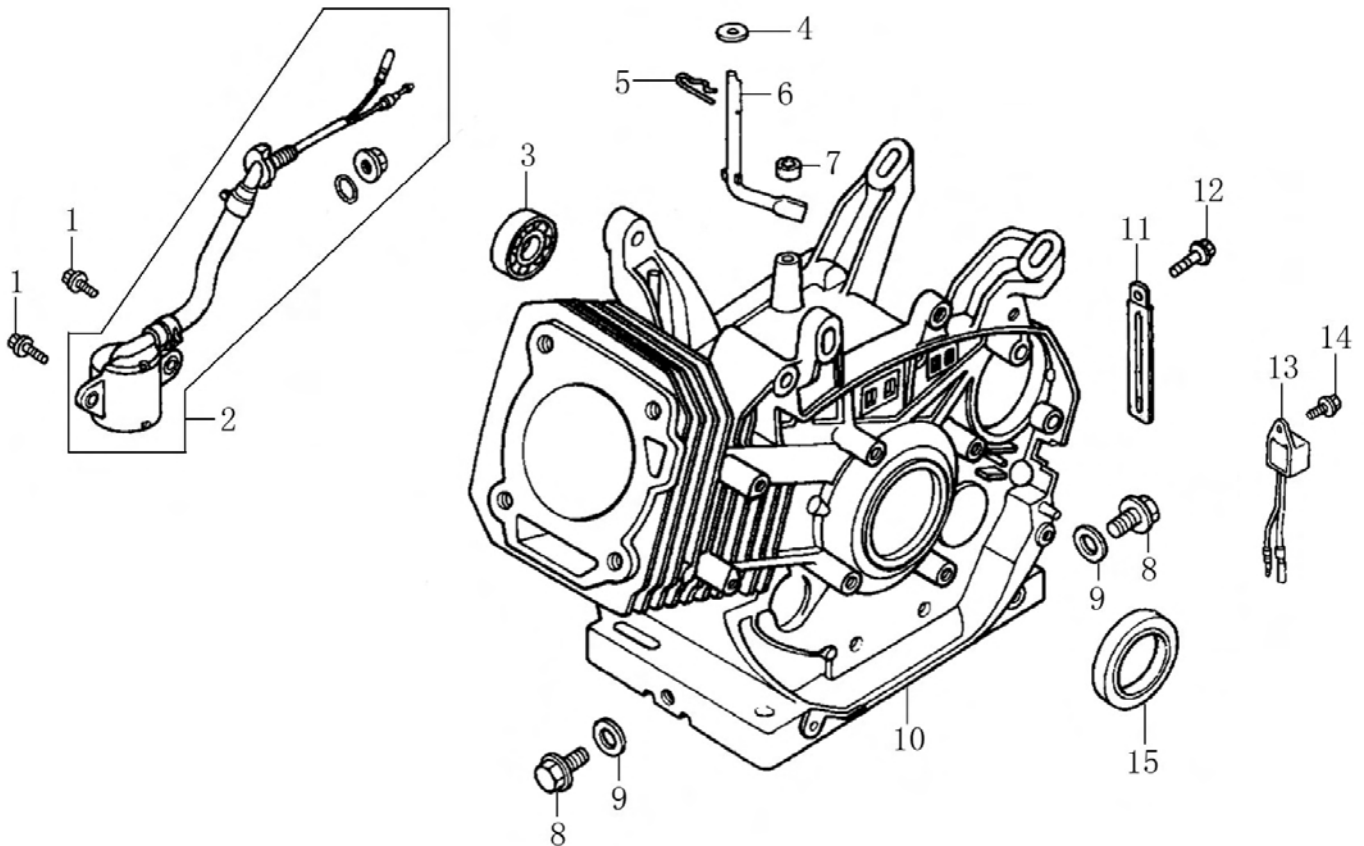


| ITEM | PART NO. | QTY. | DESCRIPTION |
|------|------------|------|-------------------------|
| 1 | 0J35240147 | 6 | BOLT, FLANGE |
| 2 | 0J39340112 | 1 | COVER, VALVE |
| 3 | 0J39340113 | 1 | GASKET, VALVE COVER |
| 4 | 0J39340114 | 1 | TUBE, BREATHER |
| 5 | 0G84420211 | 4 | BOLT, HEAD FLNG., 10x80 |
| 6 | 0G84420210 | 2 | BOLT, STUD, EXHAUST |
| 7 | 0J00620106 | 1 | SPARK PLUG |
| 8 | 0J39340115 | 1 | HEAD, CYLINDER |
| 9 | 0J00620107 | 1 | GASKET, CYLINDER HEAD |
| 10 | 0G84420212 | 2 | PIN, DOWEL |
| 11 | 0K0090 | 2 | BOLT, STUD, INTAKE |

420cc ENGINE

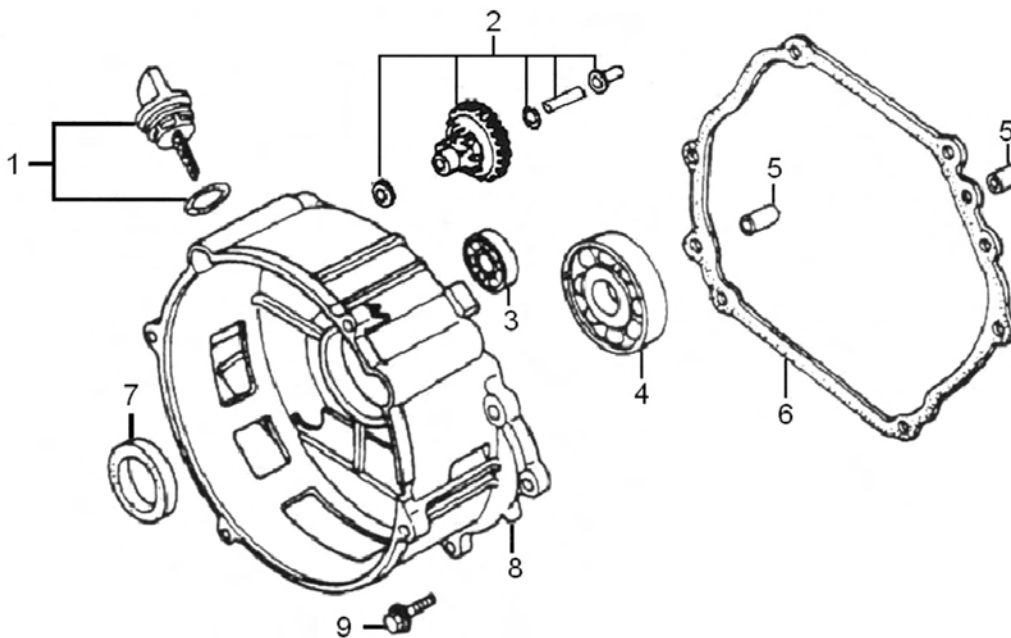


Crankcase



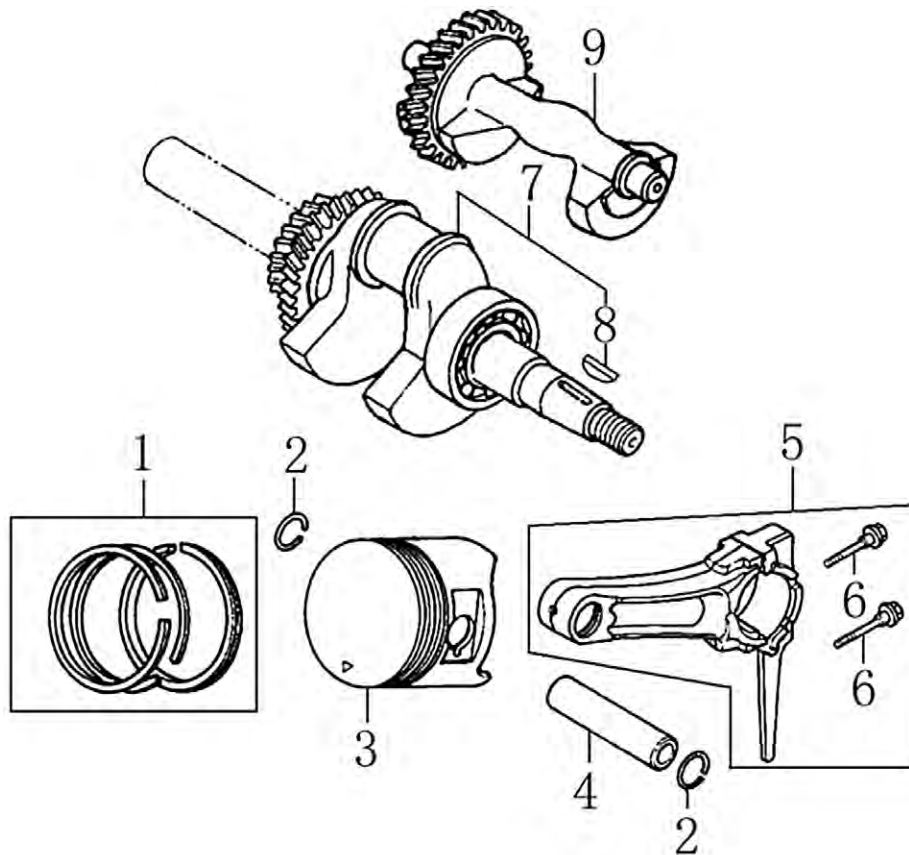
| ITEM | PART NO. | QTY. | DESCRIPTION |
|------|------------|------|---------------------------|
| 1 | 0G84420217 | 2 | BOLT, FLANGE |
| 2 | 0G84420105 | 1 | SWITCH ASSY., OIL LEVEL |
| 3 | 0G84420118 | 1 | BEARING, RADIAL BALL 6202 |
| 4 | 0G84420218 | 1 | WASHER, FLAT 8*16*1.2 |
| 5 | 0G84420219 | 1 | PIN, LOCK, 10MM |
| 6 | 0G84420220 | 1 | SHAFT, GOVERNOR ARM |
| 7 | 0G84420108 | 1 | SEAL, OIL |
| 8 | 0G84420110 | 2 | BOLT, DRAIN PLUG |
| 9 | 0G84420109 | 2 | WASHER, DRAIN PLUG, 12MM |
| 10 | 0H98380100 | 1 | CRANKCASE, (ELECT. START) |
| 11 | 0J35250337 | 1 | CLEAT, CABLE |
| 12 | 0G84420194 | 1 | BOLT, FLANGE, 6x12 |
| 13 | 0G84420112 | 1 | ALERT UNIT,OIL |
| 14 | 0G84420194 | 1 | BOLT, FLANGE, 6x12 |
| 15 | 0G84420116 | 1 | SEAL, OIL |

Crankcase Cover



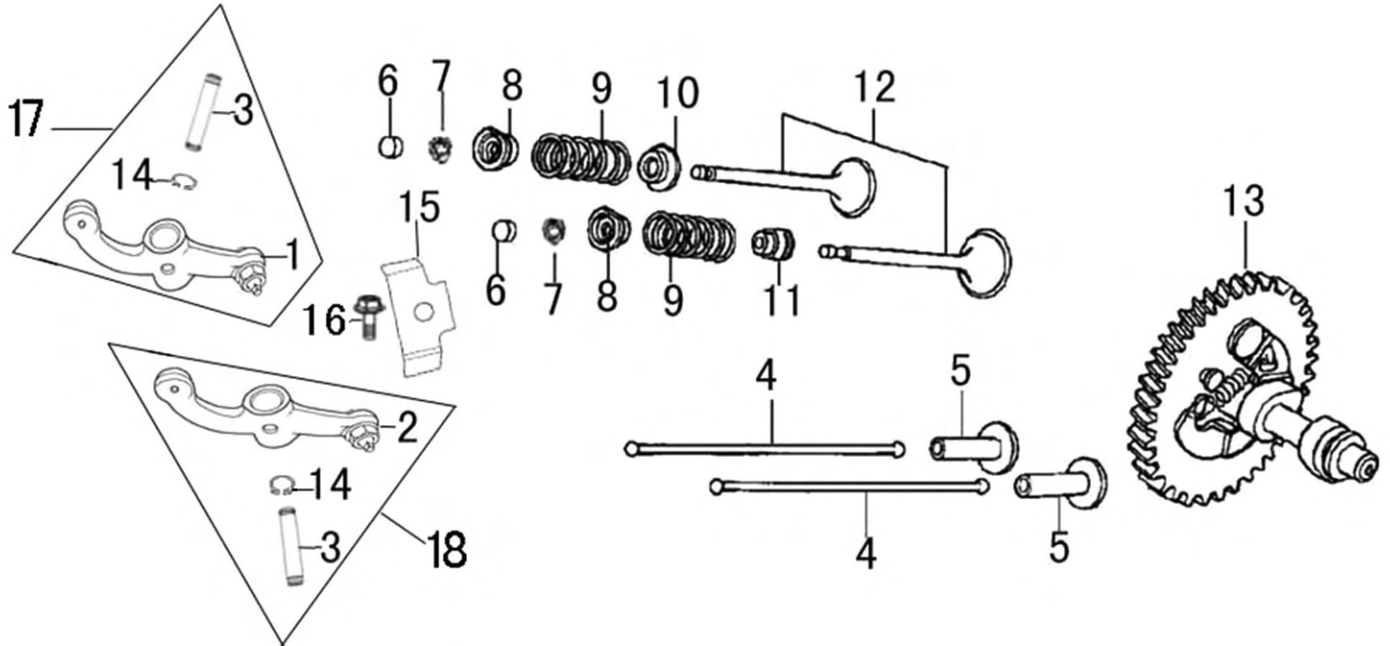
| ITEM | PART NO. | QTY. | DESCRIPTION |
|------|------------|------|---------------------------|
| 1 | 0G9799 | 2 | DIPSTICK/CAP ASSY |
| 2 | 0G84420221 | 1 | GOVERNOR ASSY. |
| 3 | 0G84420118 | 1 | BEARING, RADIAL BALL 6202 |
| 4 | 0G84420117 | 1 | BEARING, RADIAL BALL 6207 |
| 5 | 0G84420228 | 2 | PIN, DOWEL 8x12 |
| 6 | 0G84420115 | 1 | GASKET, CRANKCASE COVER |
| 7 | 0G84420116 | 1 | SEAL, OIL |
| 8 | 0G84420227 | 1 | CRANKCASE COVER |
| 9 | 0G84420229 | 7 | BOLT, FLANGE 8X40 |

Crankshaft and Piston



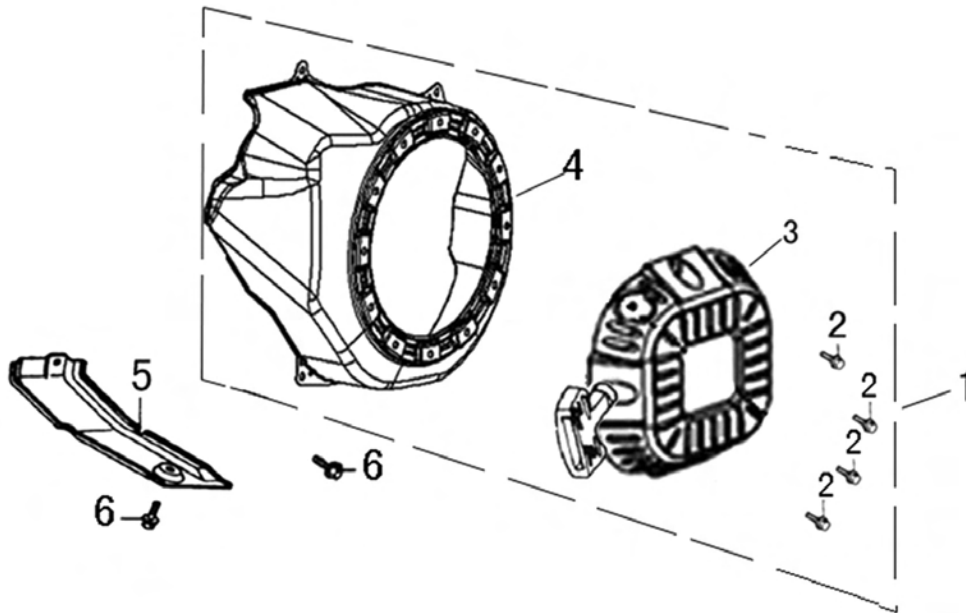
| ITEM | PART NO. | QTY. | DESCRIPTION |
|------|------------|------|-----------------------|
| 1 | 0J28790111 | 1 | RING SET,PISTON |
| 2 | 0G84420237 | 2 | CIRCLIP, PISTON PIN |
| 3 | 0K22930111 | 1 | PISTON |
| 4 | 0G84420238 | 1 | PIN, PISTON |
| 5 | 0J00620113 | 1 | CONNECTING ROD ASSY |
| 6 | 0G84420236 | 2 | BOLT, CONNECTING ROD |
| 7 | 0J00620108 | 1 | CRANKSHAFT ASSY |
| 8 | 0G84420119 | 1 | KEY, SPECIAL WOODRUFF |
| 9 | 0J00620111 | 1 | WEIGHT, BALANCER |

Rocker and Camshaft



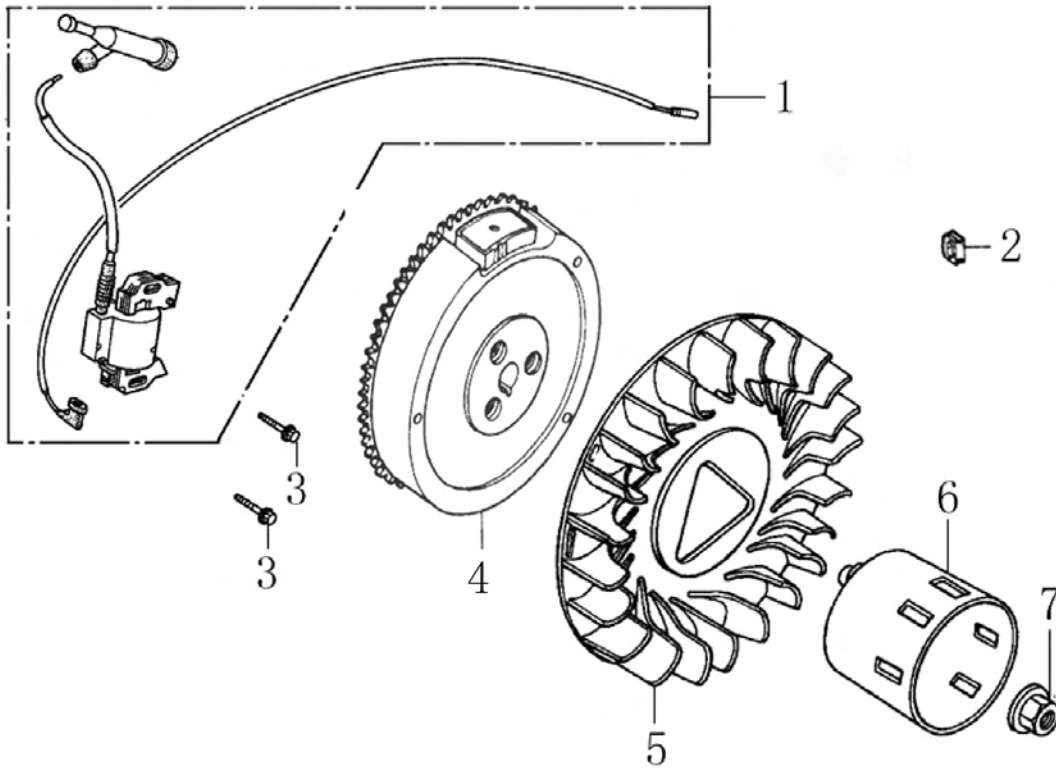
| ITEM | PART NO. | QTY. | DESCRIPTION |
|------|------------|------|----------------------------|
| 1 | 0J39430124 | 1 | ROCKER ARM EXH. |
| 2 | 0J39430125 | 1 | ROCKER ARM INT. |
| 3 | 0J93060101 | 2 | VALVE ROCKER SHAFT |
| 4 | 0J39430127 | 2 | PUSH ROD |
| 5 | 0G84420174 | 2 | LIFTER, VALVE |
| 6 | 0G84420122 | 2 | ROTATOR, VALVE |
| 7 | 0G84420239 | 4 | LOCKER, VALVE |
| 8 | 0G84420123 | 2 | RETAINER, VALVE SPRING |
| 9 | 0G84420124 | 2 | SPRING, VALVE |
| 10 | 0G84420125 | 1 | SEAT, VALVE SPRING |
| 11 | 0G84420128 | 1 | SEAL, VALVE STEM |
| 12 | 0J39430126 | 1 | VALVE ASSY. |
| 13 | 0G8442F114 | 1 | CAMSHAFT ASSY |
| 14 | 0J93060102 | 2 | LOCKER |
| 15 | 0K22930113 | 1 | RETAINER, ROCKER ARM SHAFT |
| 16 | 0G84420194 | 1 | BOLT, FLANGE |
| 17 | 0K6775 | 1 | ROCKER ARM ASSY. EXHAUST |
| 18 | 0K6777 | 1 | ROCKER ARM ASSY. INTAKE |

Starter



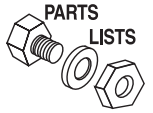
| ITEM | PART NO. | QTY. | DESCRIPTION |
|------|-------------|------|-------------------------|
| 1 | 0H9838D102 | 1 | STARTER, RECOIL W/HSNG. |
| 2 | 0G84420241 | 4 | BOLT, FLANGE 6x8 |
| 3 | 0J0813AST15 | 1 | STARTER ASSY. |
| 4 | 0G8442A115 | 1 | COVER COMP., FAN |
| 5 | 0J39340117 | 1 | SHROUD |
| 6 | 0G84420194 | 5 | BOLT, FLANGE 6x12 |

Flywheel and Ignition

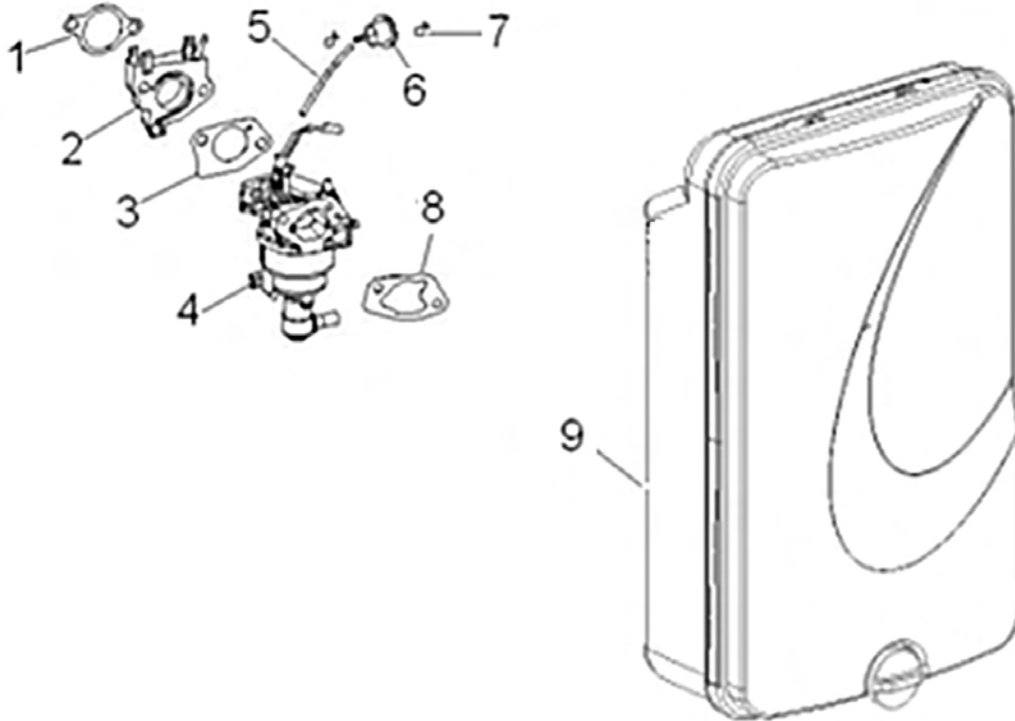


| ITEM | PART NO. | QTY. | DESCRIPTION |
|------|------------|------|--------------------------------|
| 1 | 0G84420150 | 1 | COIL ASSY., IGNITION |
| 2 | 0G84420267 | 1 | GROMMET, CORD |
| 3 | 0G84420268 | 2 | BOLT, FLANGE, M6X25 |
| 4 | 0H98380104 | 1 | FLYWHEEL, (ELECT. START) COMP. |
| 5 | 0G84420147 | 1 | FAN, COOLING |
| 6 | 0G84420148 | 1 | PULLEY, STARTER |
| 7 | 0G84420149 | 1 | NUT SPECIAL, 16MM |

420cc ENGINE

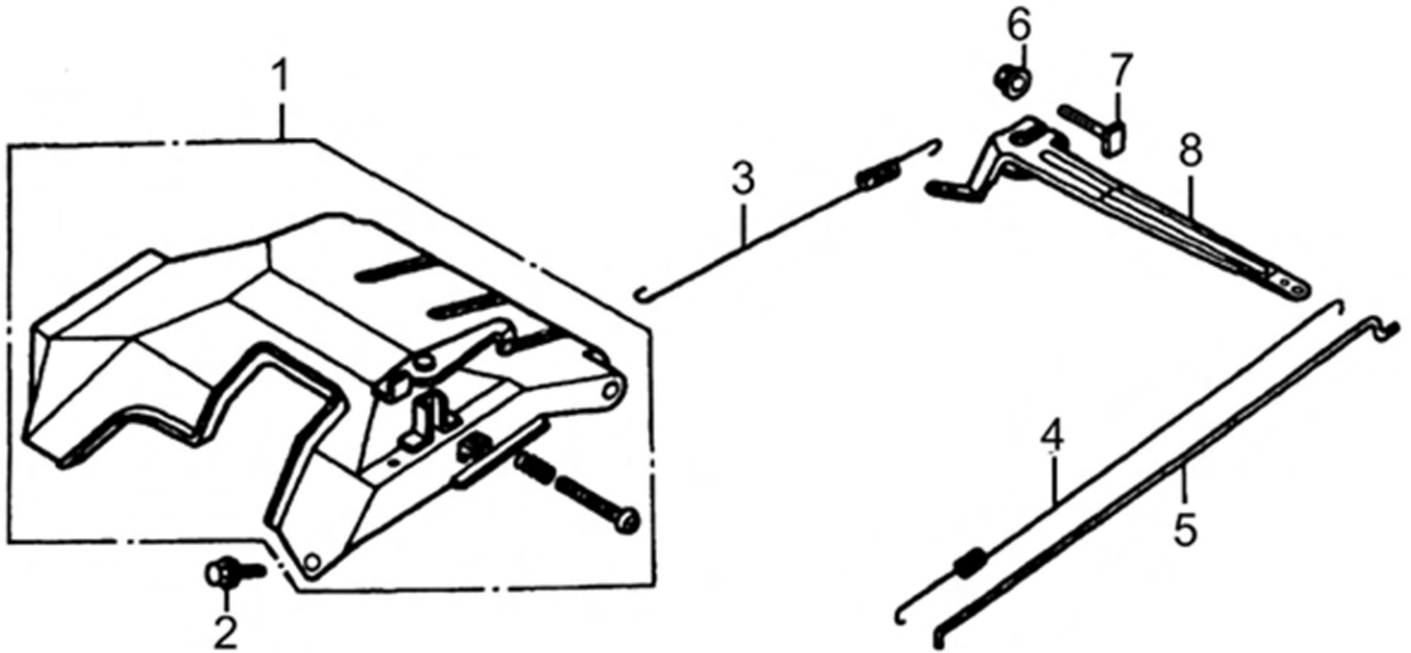


Air Cleaner and Carburetor



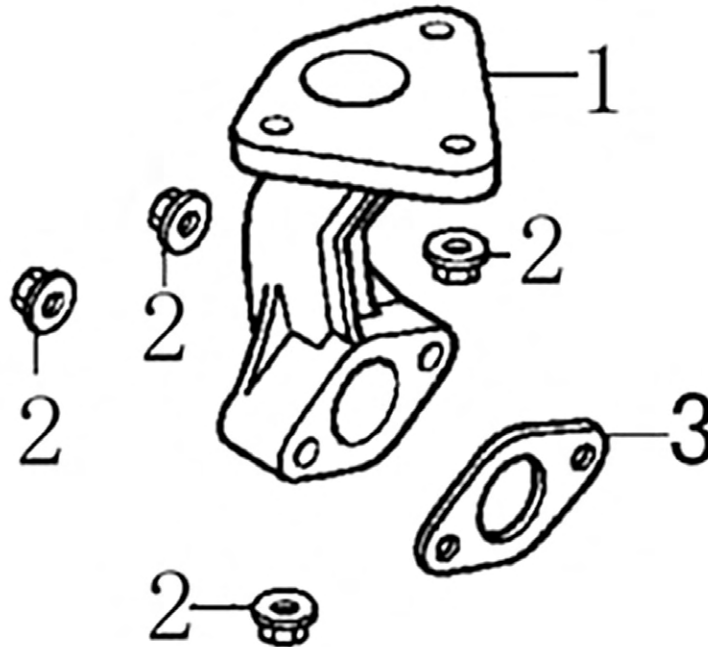
| ITEM | PART NO. | QTY. | DESCRIPTION |
|-----------|------------|------|------------------------------|
| 1 | 0G84420144 | 1 | GASKET, INSULATOR |
| 2 | 0J25910112 | 1 | SPACER, CARBURETOR |
| 3 | 0G9916 | 1 | GASKET, CARB. TO SPACER |
| 4 | 0H9838E110 | 1 | CARBURETOR ASSY |
| 5 | 0K65110119 | 1 | HOSE, FUEL |
| 6 | 0K65110118 | 1 | FILTER, FUEL(IN-LINE) |
| 7 | 0H9838C110 | 2 | CLAMP, HOSE |
| 8 | 0G84420156 | 1 | GASKET, CARB. TO AIR CLEANER |
| 9 | 0G8442C111 | 1 | AIR CLEANER |
| NOT SHOWN | 0G84420151 | 1 | ELEMENT, AIR FILTER |

Control System



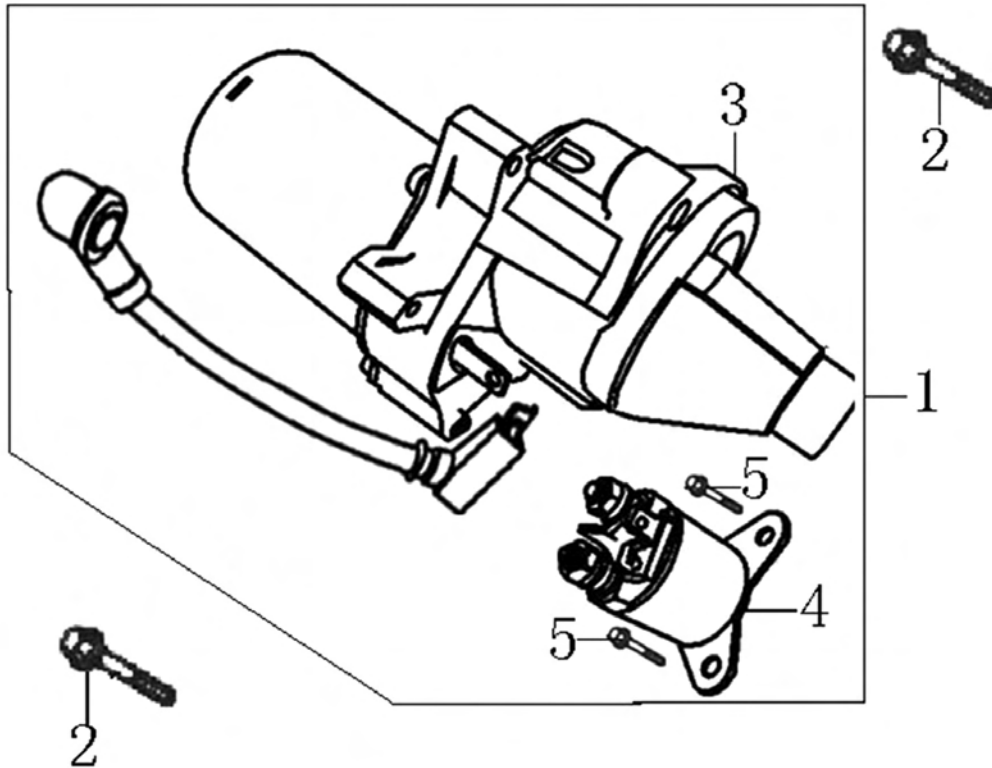
| ITEM | PART NO. | QTY. | DESCRIPTION |
|------|------------|------|-------------------------|
| 1 | 0G8442G111 | 1 | CONTROL ASSY. |
| 2 | 0G84420194 | 2 | NUT, FLANGE M6 |
| 3 | 0J00620122 | 1 | SPRING, CABLE RETURN |
| 4 | 0J39430132 | 1 | SPRING, THROTTLE RETURN |
| 5 | 0J39430133 | 1 | ROD, GOVERNOR |
| 6 | 0G84420272 | 1 | NUT, FLANGE M6 |
| 7 | 0G84420197 | 1 | BOLT, QUADRATE HEAD |
| 8 | 0G84420198 | 1 | ARM, GOVERNOR |

Exhaust Manifold



| ITEM | PART NO. | QTY. | DESCRIPTION |
|------|------------|------|---------------------|
| 1 | 0J4535A | 1 | MANIFOLD, EXH. PIPE |
| 2 | 0J35220161 | 5 | NUT, HEX., M8 |
| 3 | 0G9028 | 1 | GASKET, MUFFLER |

Starter Motor



| ITEM | PART NO. | QTY. | DESCRIPTION |
|------|------------|------|----------------------|
| 1 | 0H9838E111 | 1 | MOTOR ASSY., STARTER |
| 2 | 0H98380103 | 2 | BOLT, FLANGE, |
| 3 | 0H98380101 | 1 | MOTOR, STARTER |
| 4 | 0H98380102 | 1 | CONTACTOR ASSY |
| 5 | 0J4968 | 2 | BOLT, FLANGE, |

Free Manuals Download Website

<http://myh66.com>

<http://usermanuals.us>

<http://www.somanuals.com>

<http://www.4manuals.cc>

<http://www.manual-lib.com>

<http://www.404manual.com>

<http://www.luxmanual.com>

<http://aubethermostatmanual.com>

Golf course search by state

<http://golfingnear.com>

Email search by domain

<http://emailbydomain.com>

Auto manuals search

<http://auto.somanuals.com>

TV manuals search

<http://tv.somanuals.com>