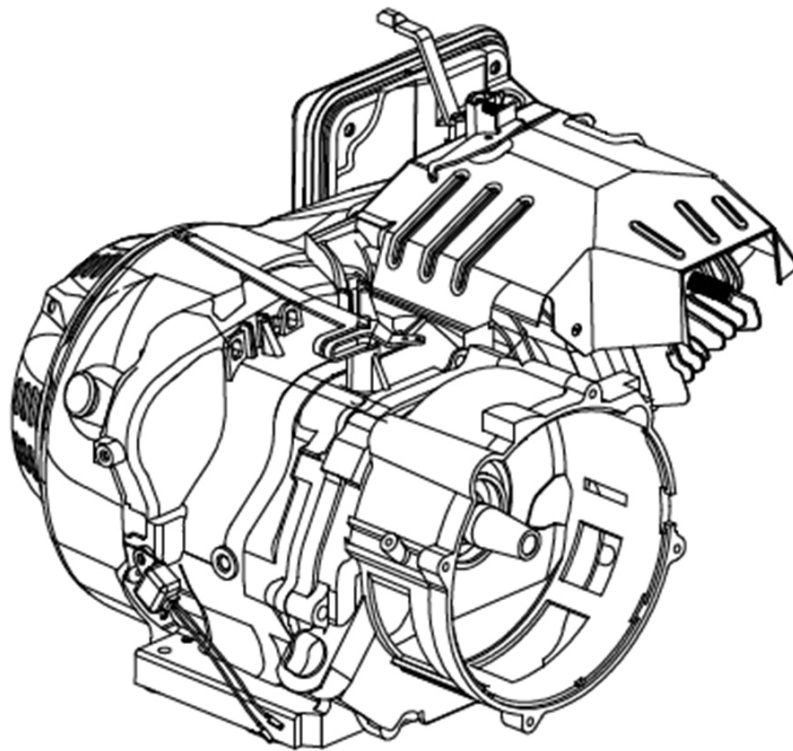


# Engine Parts Manual

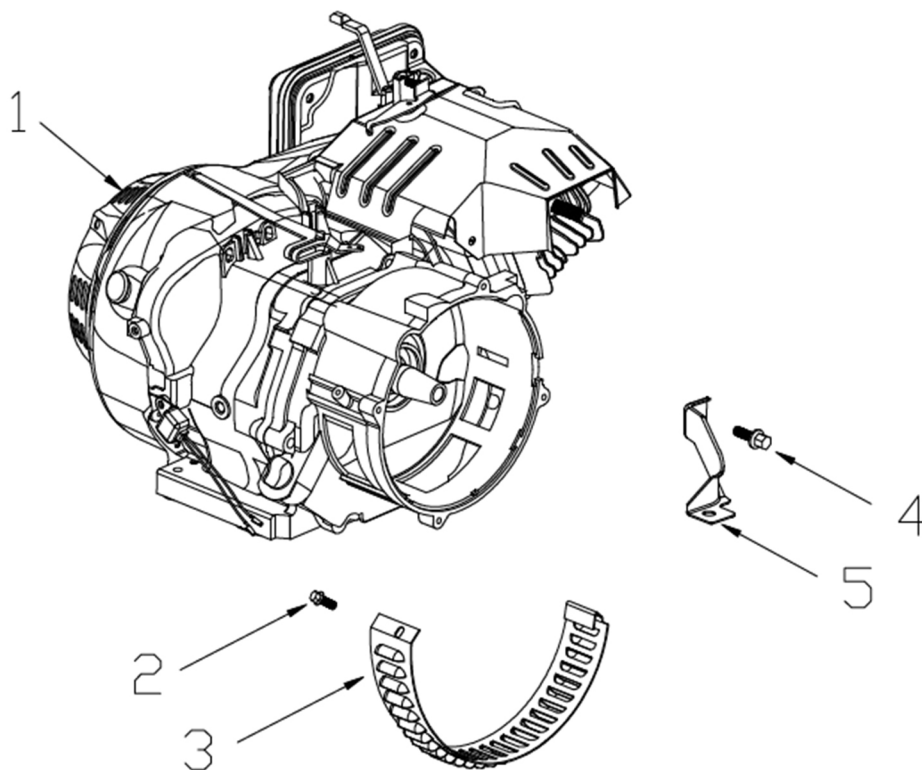
## 389cc (G19)



### NOTICE!

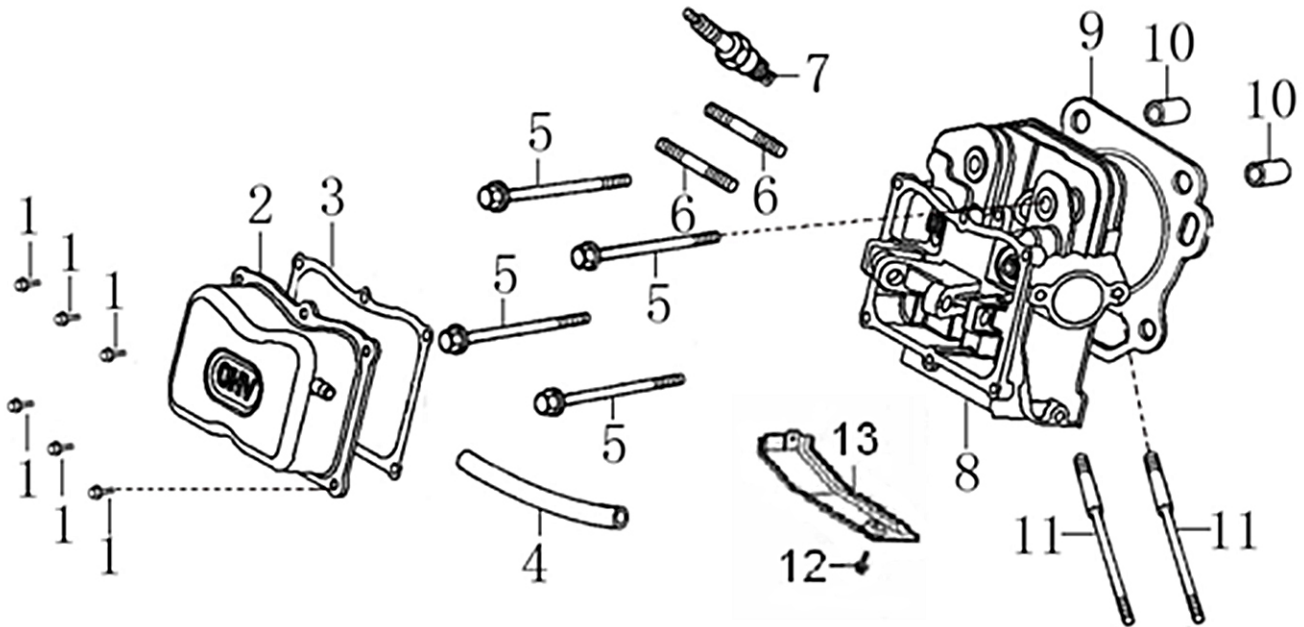
The information in this manual is known to be accurate as of the date of release shown on the cover. However, engineering changes can occur without notice. To obtain the proper parts, please be sure to use the serial number of the unit being serviced when ordering from this manual. Always refer to any parts notes and changes before ordering. All other parts not shown in this manual can be found on Generac's exploded view drawings online on GENservice at [www.generac.com](http://www.generac.com).

Engine



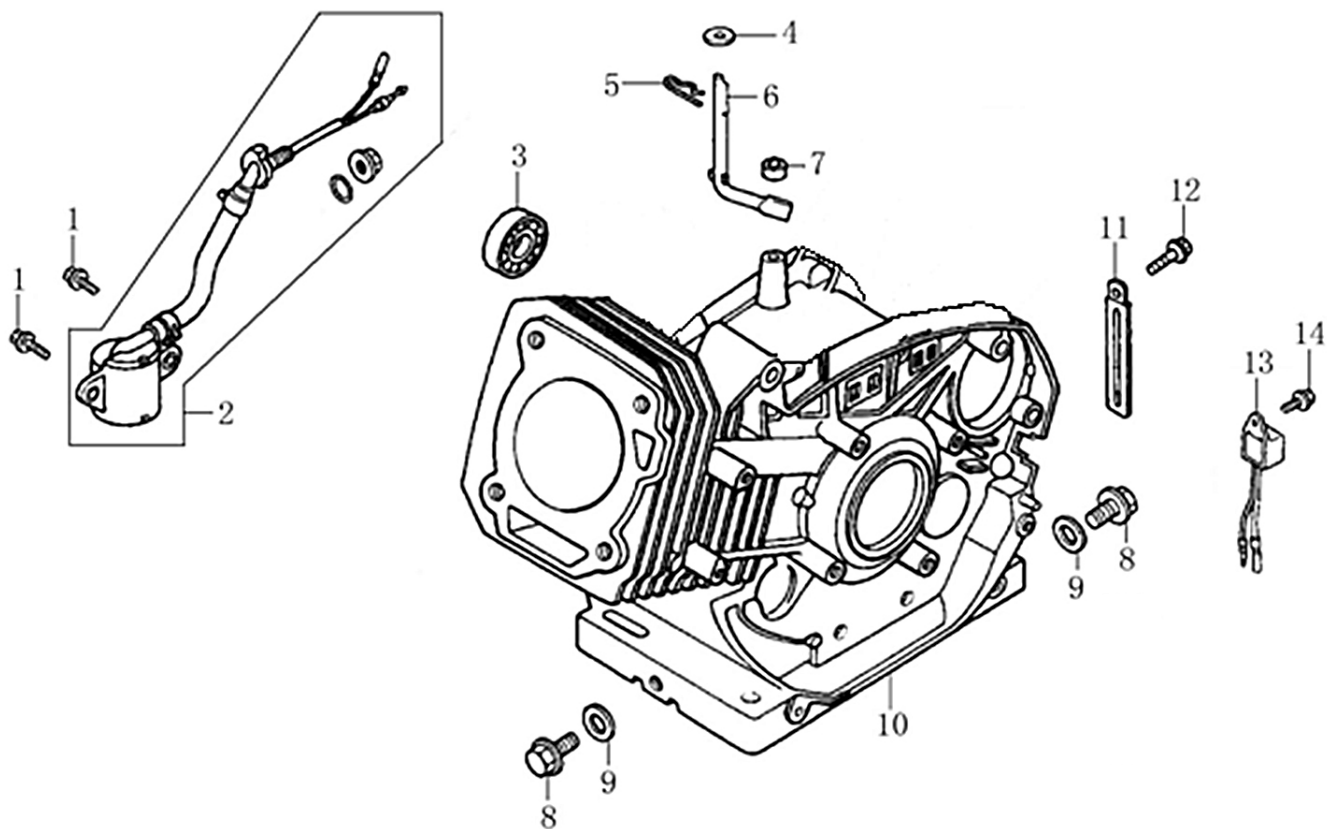
ITEM	PART NO.	QTY.	DESCRIPTION
1	0G8442C	1	ENGINE G390FA
2	0J00620100	1	BOLT, FLANGE M5*10
3	0H9761	1	COVER, DUST
4	0G84420194	1	BOLT, FLANGE M6*12
5	0G8442C112	1	BRACKET, AIR CLEANER

## Cylinder Head



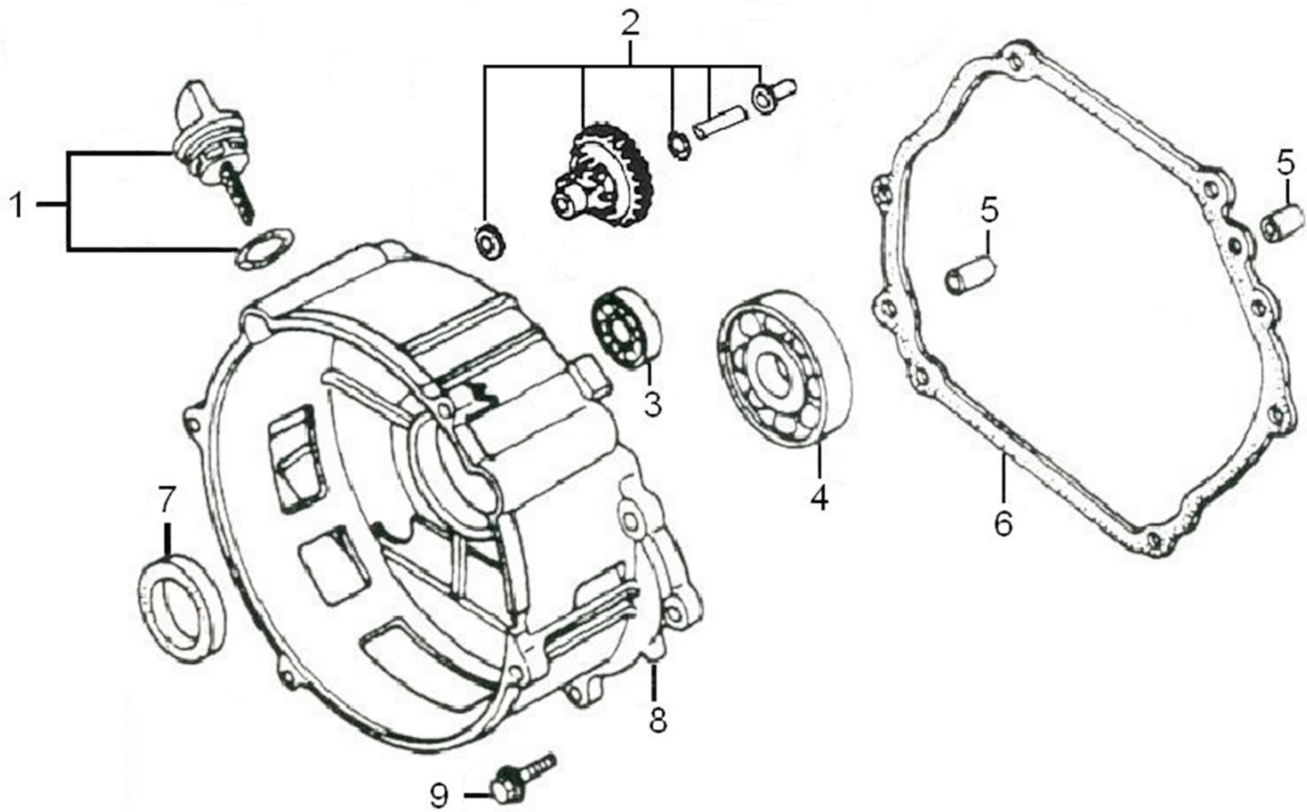
ITEM	PART NO.	QTY.	DESCRIPTION
1	0J39340111	6	BOLT, FLANGE
2	0J39340112	1	COVER, HEAD
3	0J39340113	1	GASKET, HEAD COVER
4	0J39340114	1	TUBE, BREATHER
5	0G84420211	4	BOLT, FLANGE, 10x80
6	0G84420210	2	BOLT, STUD, EXHAUST
7	0J00620106	1	SPARK PLUG
8	0J39340115	1	CYLINDER HEAD
9	0J39340116	1	GASKET, CYLINDER
10	0G84420212	2	DOWEL, PIN
11	0K0090	2	BOLT, STUD, INTAKE
12	0G84420194	1	BOLT, FLANGE M6x12
13	0J39340117	1	SHROUD

Crankcase



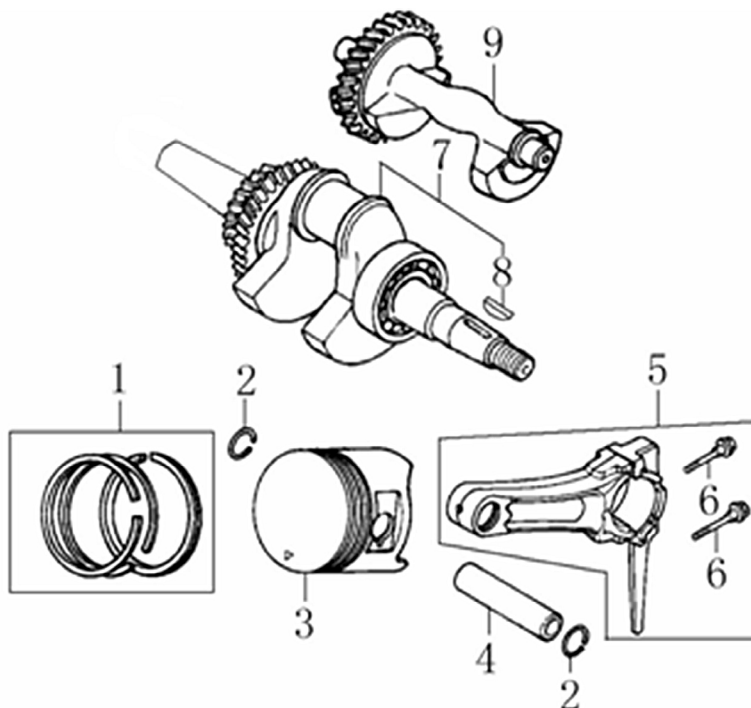
ITEM	PART NO.	QTY.	DESCRIPTION
1	0G84420217	2	BOLT, FLANGE, 6x14
2	0G84420105	1	SWITCH ASSY., OIL LEVEL
3	0G84420118	1	BEARING, RADIAL BALL, 6202
4	0G84420218	1	WASHER, 8*16*1.2
5	0G84420219	1	PIN, LOCK, 10MM
6	0G84420220	1	SHAFT, GOVERNOR ARM
7	0G84420108	1	OIL SEAL, 8x14x4
8	0G84420110	2	BOLT, DRAIN PLUG
9	0G84420109	2	WASHER
10	0G8442C110	1	CRANKCASE
11	0G84420267	1	CLIP
12	0G84420194	1	BOLT, FLANGE, 6x12
13	0G84420112	1	ALERT UNIT, OIL
14	0G84420194	1	BOLT, FLANGE, 6x12

## Crankcase Cover



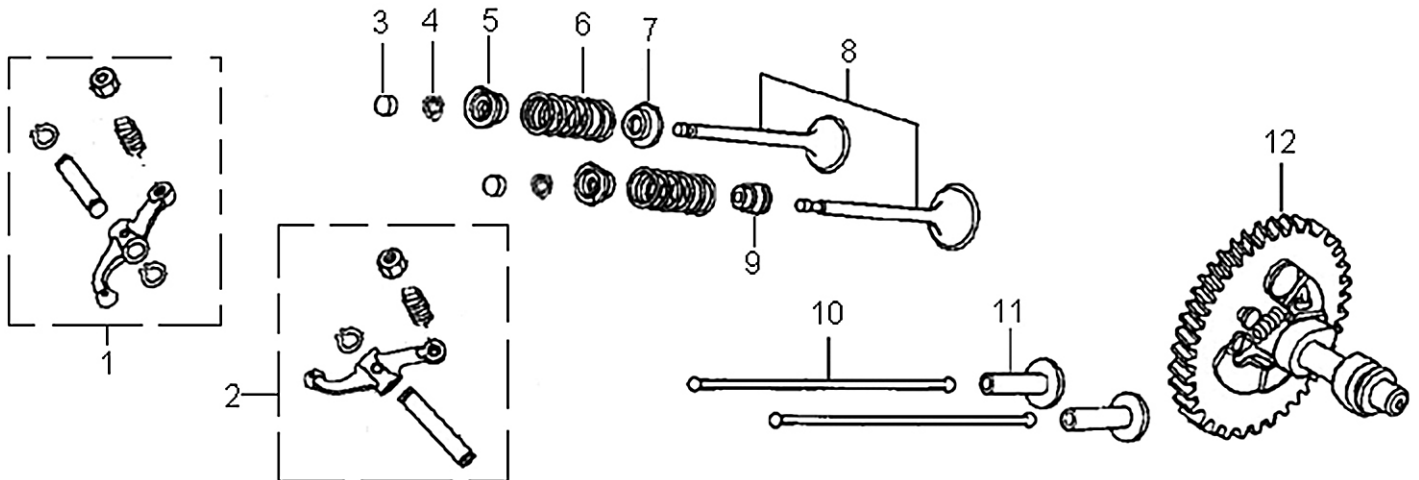
ITEM	PART NO.	QTY.	DESCRIPTION
1	0G9799	1	CAP COMP., OIL FILLER
2	0G84420221	1	GOVERNOR ASSY.
3	0G84420118	1	BEARING, RADIAL BALL 6202
4	0G84420117	1	BEARING, RADIAL BALL 6207
5	0G84420228	2	PIN, DOWEL 8x12
6	0G84420115	1	GASKET, CASE COVER
7	0G84420111	1	OIL SEAL 35x52x7
8	0G84420227	1	CRANKCASE COVER
9	0G84420229	7	BOLT, FLANGE M8x40

Crankshaft and Piston



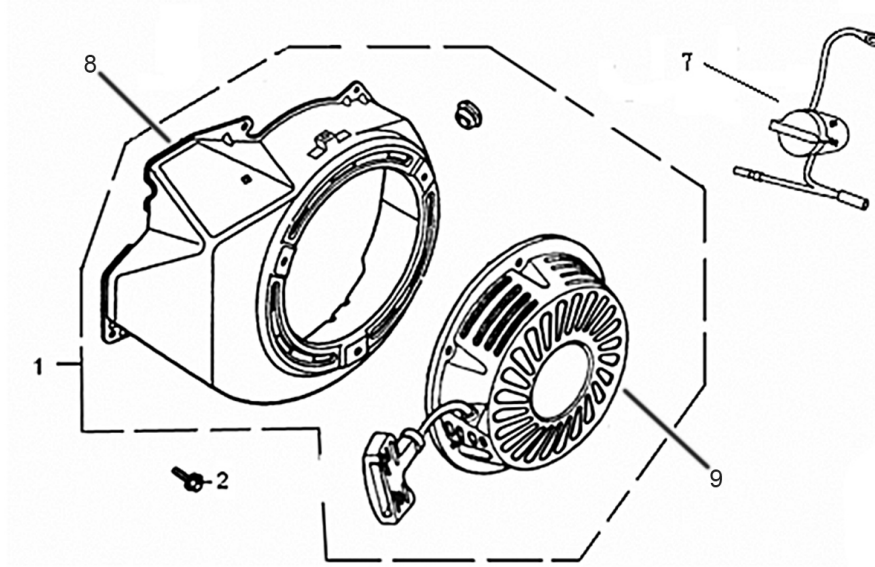
ITEM	PART NO.	QTY.	DESCRIPTION
1	0J39430121	1	RING SET, PISTON
2	0G84420237	2	CLIP, PISTON PIN
3	0J39430122	1	PISTON
4	0G84420238	1	PIN, PISTON
5	0G84420235	1	CONNECTING ROD ASSY
6	0G84420236	2	BOLT, CONNECTING ROD
7	0G84420230	1	CRANKSHAFT ASSY
8	0J39430123	1	KEY, SPECIAL WOODRUFF
9	0G84420232	1	WEIGHT, BALANCER

## Rocker and Camshaft



ITEM	PART NO.	QTY.	DESCRIPTION
1	0J39430124	1	ROCKER ARM ASSY.
2	0J39430125	1	ROCKER ARM ASSY.
3	0G84420122	2	ROTATOR, VALVE
4	0J35240114	4	VALVE LOCKER
5	0G84420123	2	RETAINER, VALVE SPRING
6	0G84420124	2	SPRING, VALVE
7	0G84420125	1	SEAT, VALVE SPRING
8	0J39430126	1	VALVE ASSY.
9	0G84420128	1	SEAL, VALVE STEM
10	0J39430127	2	PUSH ROD
11	0G84420174	2	LIFTER, VALVE
12	0G84420175	1	CAMSHAFT ASSY

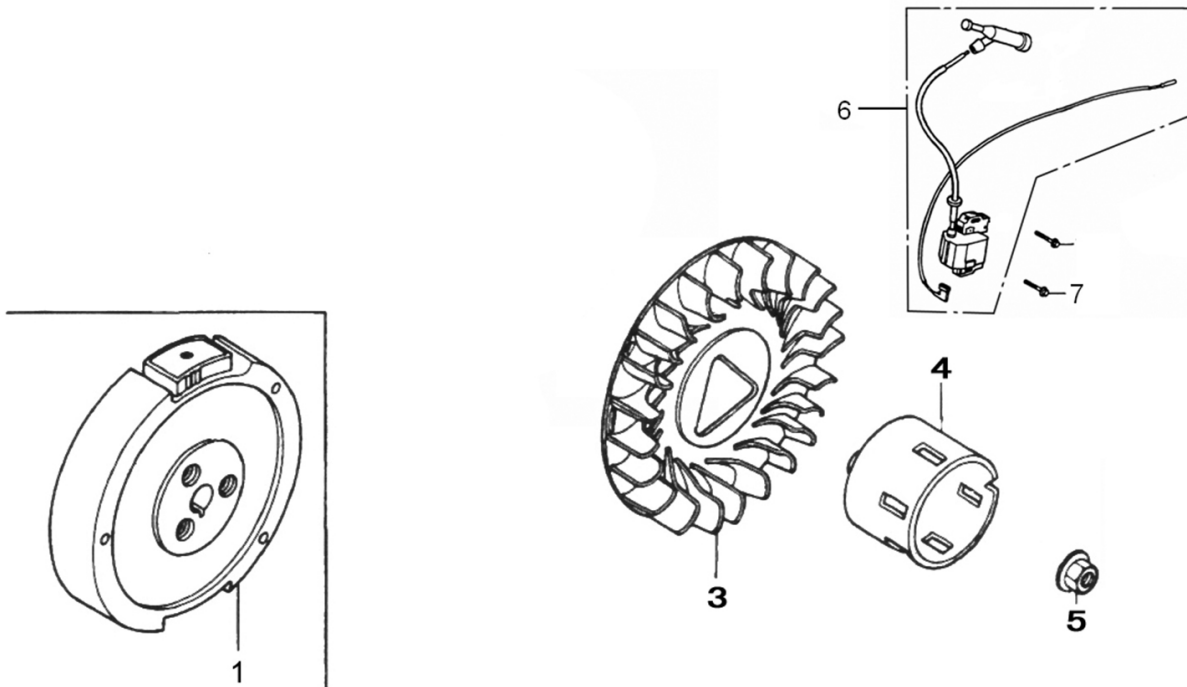
Starter



ITEM	PART NO.	QTY.	DESCRIPTION
1	0G8442A114	1	STARTER ASSY.
2	0G84420194	5	BOLT, FLANGE
7	0G9911	1	ENGINE SWITCH
8	0G8442A115	1	BLOWER HOUSING, RECOIL STARTER
9	0G9798	1	ASSY, RECOIL STARTER

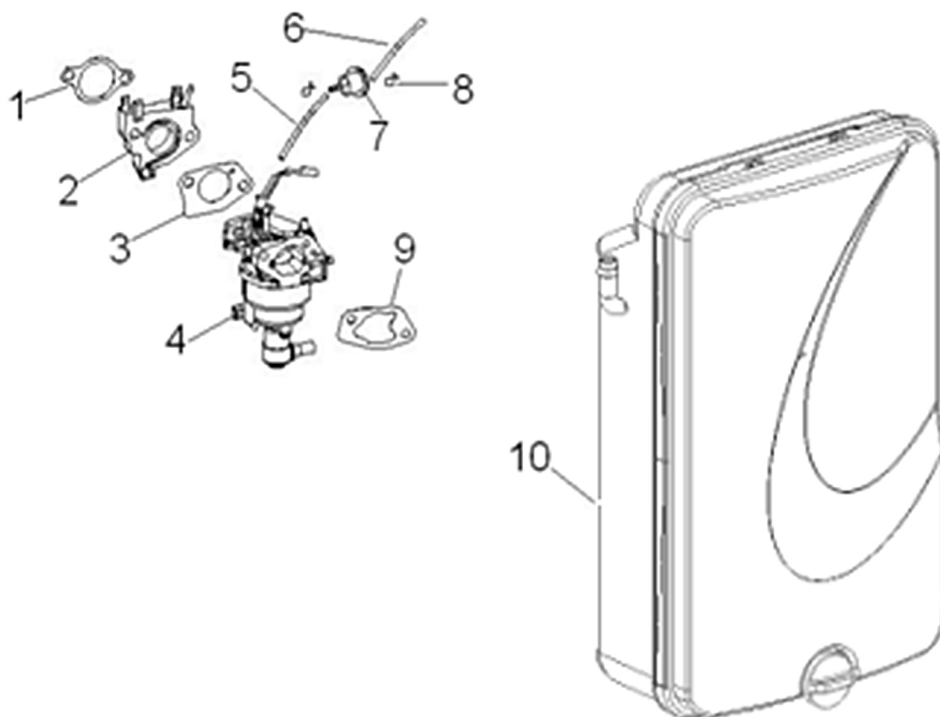


## Flywheel



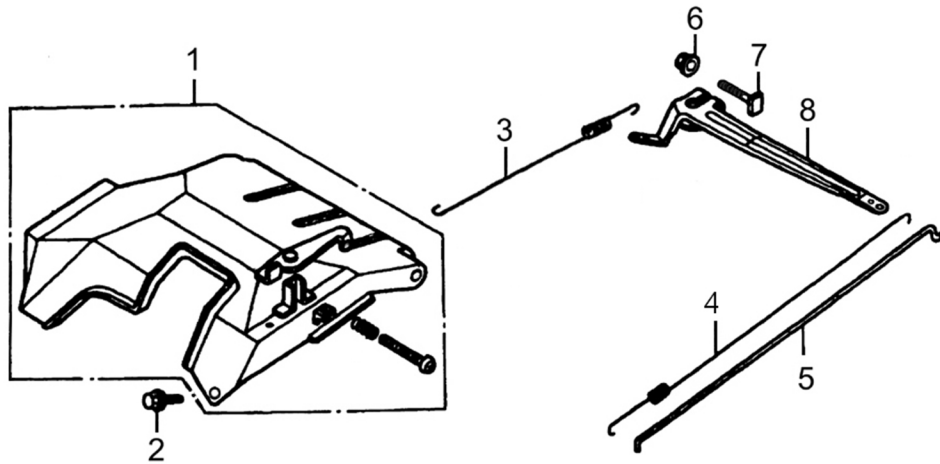
ITEM	PART NO.	QTY.	DESCRIPTION
1	0J25910111	1	FLYWHEEL
3	0G84420147	1	FAN COOLING
4	0G84420148	1	PULLEY, STARTER
5	0G84420149	1	NUT SPECIAL, M16
6	0G84420150	1	COIL ASSY., IGNITION
7	0G84420268	2	BOLT, FLANGE

Air Cleaner and Carburetor



ITEM	PART NO.	QTY.	DESCRIPTION
1	0G84420144	1	GASKET, CARBURETOR
2	0J25910112	1	SPACER, CARBURETOR
3	0G9916	1	GASKET, CARBURETOR
4	0G8442A111	1	CARBURETOR ASSY.
5	0G9757B	1	TUBE, FUEL
6	0G9757A	1	TUBE, FUEL
7	0G9914	1	FILTER
8	048031B	4	CLAMP
9	0G84420156	1	GASKET, CARBURETOR
10	0G8442C111	1	AIR CLEANER
"Not Shown"	0G84420151	1	AIR CLEANER ELEMENT

## Control System



ITEM	PART NO.	QTY.	DESCRIPTION
1	0J39430130	1	CONTORL ASSY.
2	0G84420194	3	BOLT, FLANGE, 6x12
3	0J39430131	1	SPRING, GOVERNOR A
4	0J39430132	1	SPRING, GOVERNOR B
5	0J39430133	1	ROD, GOVERNOR
6	0G84420196	1	NUT, FLANGE, M6
7	0G84420197	1	BOLT, GOVERNOR ARM
8	0G84420198	1	ARM, GOVERNOR

©2012 Generac Power Systems, Inc. All rights reserved.  
Specifications are subject to change without notice  
No reproduction allowed in any form without prior written consent from Generac Power Systems, Inc.

## Free Manuals Download Website

<http://myh66.com>

<http://usermanuals.us>

<http://www.somanuals.com>

<http://www.4manuals.cc>

<http://www.manual-lib.com>

<http://www.404manual.com>

<http://www.luxmanual.com>

<http://aubethermostatmanual.com>

Golf course search by state

<http://golfingnear.com>

Email search by domain

<http://emailbydomain.com>

Auto manuals search

<http://auto.somanuals.com>

TV manuals search

<http://tv.somanuals.com>