

GENERAC'S OHVI® ENGINES

GTV-760

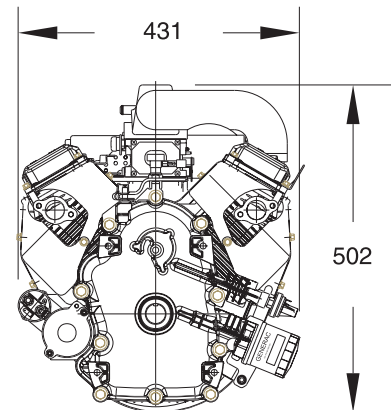
Vertical Shaft
 V-Twin Cylinder
 Air Cooled
 OHVI Industrial Design
 EPA and CARB Certified

SPECIFICATIONS

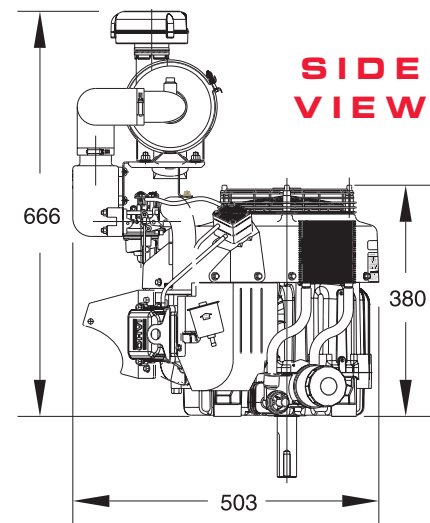
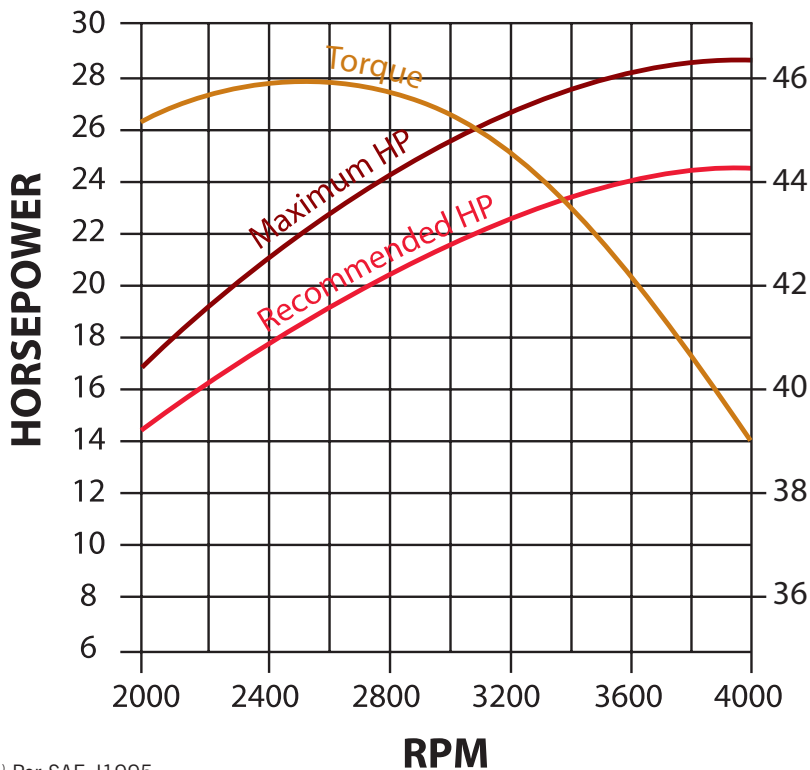
Model	GTV760
Displacement	763cc
Bore	90mm
Stroke	60mm
Max. Power ⁽¹⁾	29.2 HP @ 4000 RPM
Recommended Power ⁽¹⁾	24.8 HP @ 3800 RPM
Compression Ratio	7.5:1
Lubrication	Full Pressure
Starting System	12V Electric
Oil Capacity (liters)	2.2



TOP VIEW



PERFORMANCE CURVE



All measurements are in mm.

GENERAC®
 POWER SYSTEMS, INC.

generac.com

⁽¹⁾ Per SAE J1995

Free Manuals Download Website

<http://myh66.com>

<http://usermanuals.us>

<http://www.somanuals.com>

<http://www.4manuals.cc>

<http://www.manual-lib.com>

<http://www.404manual.com>

<http://www.luxmanual.com>

<http://aubethermostatmanual.com>

Golf course search by state

<http://golfingnear.com>

Email search by domain

<http://emailbydomain.com>

Auto manuals search

<http://auto.somanuals.com>

TV manuals search

<http://tv.somanuals.com>