

# GP Series

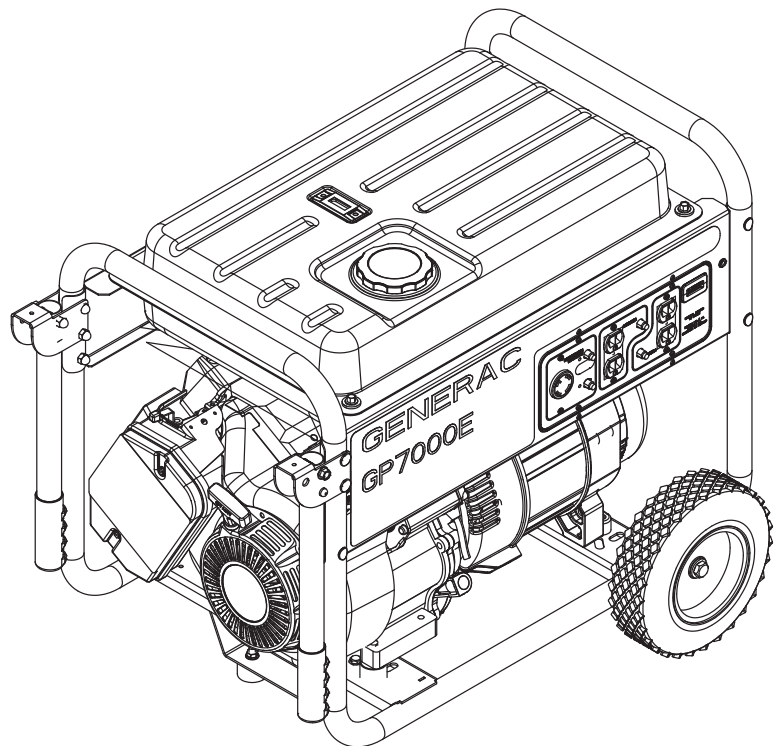
## 7,000 & 8,000 Watt Portable Generator

# Owner's Manual

COMMERCIAL • INDUSTRIAL • RESIDENTIAL

MODELS: 005625-0, 005626-0  
005680-0, 005681-0

- SAFETY
- ASSEMBLY
- OPERATION
- TROUBLESHOOTING
- WARRANTY



**2 YEAR  
LIMITED  
WARRANTY**

**AUTHORIZED DEALER SUPPORT:**

[www.generac.com](http://www.generac.com)  
or  
1-888-436-3722

**GENERAC®**

**TABLE  
OF  
CONTENTS**

**Table of Contents**  
**Portable Generator System**

---

**Introduction..... 1**  
**Read this Manual Thoroughly ..... 1**  
**Safety Rules ..... 2**  
    Standards Index ..... 3

**Section 1 – General Information..... 4**  
1.1 Unpacking..... 4  
    1.1.1 Accessory Box ..... 4  
1.2 Assembly..... 4  
    1.2.1 Assembling the Accessory Kit..... 4  
    1.2.2 Starter Connection (Electric Start Only)..... 4

**Section 2 – Operation ..... 5**  
2.1 Know the Generator ..... 5  
2.2 Hourmeter..... 6  
2.3 Cord Sets and Connection Plugs ..... 6  
    2.3.1 120 VAC, 20 Amp, Duplex Receptacle ..... 6  
    2.3.2 120/240 VAC, 30 Amp, Receptacle..... 6  
2.4 How to Use the Generator ..... 6  
    2.4.1 Grounding the Generator ..... 6  
    2.4.2 Connecting Electrical Loads ..... 7  
2.5 Don't Overload the Generator..... 7  
2.6 Wattage Reference Guide ..... 7  
2.7 Before Starting the Generator ..... 8  
    2.7.1 Adding Engine Oil ..... 8  
    2.7.2 Adding Gasoline..... 8  
2.8 Starting Pull Start Engines..... 9  
2.9 Starting Electric Start Engines ..... 9  
2.10 Stopping the Engine ..... 10  
2.11 Low Oil Level Shutdown System ..... 10  
    2.10.1 Sensing Low Oil Level..... 10  
2.12 Charging a Battery (Electric Start Units Only) ..... 10

**Section 3 – Maintenance ..... 11**  
3.1 Maintenance Schedule ..... 11  
3.2 Product Specifications..... 11  
    3.2.1 Generator Specifications ..... 11  
    3.2.2 Engine Specifications ..... 11  
3.3 General Recommendations..... 11  
    3.3.1 Generator Maintenance ..... 11  
    3.3.2 To Clean the Generator..... 11  
    3.3.3 Engine Maintenance..... 12  
    3.3.4 Checking Oil Level ..... 12  
    3.3.5 Changing the Oil ..... 12  
    3.3.6 Replacing the Spark Plug ..... 12  
    3.3.7 Replacing the Battery ..... 12  
3.4 Service Air Cleaner..... 13  
3.5 Clean Spark Arrestor Screen..... 13  
3.6 Adjusting Valve Clearance ..... 13  
3.7 Long Term Storage..... 14  
3.8 Other Storage Tips ..... 14

**Section 4 – Troubleshooting ..... 15**  
4.1 Troubleshooting Guide..... 15

**Section 5 – Notes ..... 16**

**Section 6 – Warranty..... 18**

---

***Manual del propietario..... 19***

***Manuel d'entretien ..... 37***

---

## INTRODUCTION

Thank you for purchasing this model by Generac Power Systems, Inc. This model is a compact, high performance, air-cooled, engine driven generator designed to supply electrical power to operate electrical loads where no utility power is available or in place of utility due to a power outage.

---

## READ THIS MANUAL THOROUGHLY

If any portion of this manual is not understood, contact the nearest Authorized Dealer for starting, operating and servicing procedures.

The operator is responsible for proper and safe use of the equipment. We strongly recommend that the operator read this manual and thoroughly understand all instructions before using the equipment. We also strongly recommend instructing other users to properly start and operate the unit. This prepares them if they need to operate the equipment in an emergency.

The generator can operate safely, efficiently and reliably only if it is properly located, operated and maintained. Before operating or servicing the generator:

- Become familiar with and strictly adhere to all local, state and national codes and regulations.
- Study all safety warnings in this manual and on the product carefully.
- Become familiar with this manual and the unit before use.

The manufacturer cannot anticipate every possible circumstance that might involve a hazard. The warnings in this manual, and on tags and decals affixed to the unit are, therefore, not all inclusive. If using a procedure, work method or operating technique that the manufacturer does not specifically recommend, ensure that it is safe for others. Also make sure the procedure, work method or operating technique utilized does not render the generator unsafe.

THE INFORMATION CONTAINED HEREIN WAS BASED ON MACHINES IN PRODUCTION AT THE TIME OF PUBLICATION. GENERAC RESERVES THE RIGHT TO MODIFY THIS MANUAL AT ANY TIME.

---

## SAFETY RULES

Throughout this publication, and on tags and decals affixed to the generator, DANGER, WARNING, CAUTION and NOTE blocks are used to alert personnel to special instructions about a particular operation that may be hazardous if performed incorrectly or carelessly. Observe them carefully. Their definitions are as follows:

### **DANGER!**

**INDICATES A HAZARDOUS SITUATION OR ACTION WHICH, IF NOT AVOIDED, WILL RESULT IN DEATH OR SERIOUS INJURY.**

### **WARNING!**

**Indicates a hazardous situation or action which, if not avoided, could result in death or serious injury.**

### **CAUTION!**

**Indicates a hazardous situation or action which, if not avoided, could result in minor or moderate injury.**

## NOTE:

**Notes contain additional information important to a procedure and will be found within the regular text body of this manual.**

These safety warnings cannot eliminate the hazards that they indicate. Common sense and strict compliance with the special instructions while performing the action or service are essential to preventing accidents.

Four commonly used safety symbols accompany the **DANGER**, **WARNING** and **CAUTION** blocks. The type of information each indicates is as follows:



**This symbol points out important safety information that, if not followed, could endanger personal safety and/or property of others.**



**This symbol points out potential explosion hazard.**



**This symbol points out potential fire hazard.**



**This symbol points out potential electrical shock hazard.**

## GENERAL HAZARDS

- Never operate in an enclosed area or indoors.
- For safety reasons, the manufacturer recommends that the maintenance of this equipment is carried out by an Authorized Dealer. Inspect the generator regularly, and contact the nearest Authorized Dealer for parts needing repair or replacement.
- Operate generator only on level surfaces and where it will not be exposed to excessive moisture, dirt, dust or corrosive vapors.
- Keep hands, feet, clothing, etc., away from drive belts, fans, and other moving parts. Never remove any fan guard or shield while the unit is operating.
- Certain parts of the generator get extremely hot during operation. Keep clear of the generator until it has cooled to avoid severe burns.
- Do NOT operate generator in the rain.
- Do not alter the construction of the generator or change controls which might create an unsafe operating condition.
- Never start or stop the unit with electrical loads connected to receptacles AND with connected devices turned ON. Start the engine and let it stabilize before connecting electrical loads. Disconnect all electrical loads before shutting down the generator.
- Do not insert objects through unit's cooling slots.
- When working on this equipment, remain alert at all times. Never work on the equipment when physically or mentally fatigued.
- Never use the generator or any of its parts as a step. Stepping on the unit can stress and break parts, and may result in dangerous operating conditions from leaking exhaust gases, fuel leakage, oil leakage, etc.
- On electric start models, disconnect the POSITIVE (+) Battery cable from the engine starter OR the NEGATIVE (-) Battery cable from the battery terminal, whichever is easier, before transporting the generator.



**! SAVE THESE INSTRUCTIONS – The manufacturer suggests that these rules for safe operation be copied and posted near the unit's installation site. Safety should be stressed to all operators and potential operators of this equipment.**

## EXHAUST & LOCATION HAZARDS

### **! DANGER!**

**! Never operate in an enclosed area or indoors! NEVER use in the home, or in partly enclosed areas such as garages, even if doors and windows are open! ONLY use outdoors and far from open windows, doors, vents, and in an area that will not accumulate deadly exhaust.**

<b>! DANGER</b>	<b>! DANGER</b>	<b>! PELIGRO</b>
Using a generator indoors CAN KILL YOU IN MINUTES. Generator exhaust contains carbon monoxide. This is a poison you cannot see or smell.	Utiliser un générateur à l'intérieur PEUT VOUS TUER EN QUELQUES MINUTES. Les gaz d'échappement du générateur contiennent du monoxyde de carbone. C'est un gaz toxique invisible et inodore.	Si usa un generador en interiores, MORIRÁ EN POCOS MINUTOS. El escape del generador contiene monóxido de carbono. Es un veneno que no tiene olor ni se puede ver.
NEVER use inside a home or garage, EVEN IF doors and windows are open. Only use OUTSIDE and far away from windows, doors, and vents. NE JAMAIS utiliser à l'intérieur d'une maison ou d'un garage, MÊME SI les portes et les fenêtres sont ouvertes. Utiliser UNIQUEMENT à l'EXTÉRIEUR et loin des fenêtres, portes et ventilations. NUNCA lo use dentro de una casa o garaje, AUN SI las puertas y ventanas están abiertas. Sólo úselo EN EXTERIORES y lejos de ventanas, puertas y ductos de ventilación.		

- The engine exhaust fumes contain carbon monoxide, which can you cannot see or smell. This poisonous gas, if breathed in sufficient concentrations, can cause unconsciousness or even death.
- Adequate, unobstructed flow of cooling and ventilating air is critical to correct generator operation. Do not alter the installation or permit even partial blockage of ventilation provisions, as this can seriously affect safe operation of the generator. The generator MUST be operated outdoors.
- This exhaust system must be properly maintained. Do nothing that might render the exhaust system unsafe or in noncompliance with any local codes and/or standards.
- The manufacturer recommends installing a battery operated carbon monoxide alarm indoors, according to the manufacturers instructions.

## ELECTRICAL HAZARDS

- The generator produces dangerously high voltage when in operation. Avoid contact with bare wires, terminals, connections, etc., while the unit is running, even on equipment connected to the generator. Ensure all appropriate covers, guards and barriers are in place before operating the generator.
- Never handle any kind of electrical cord or device while standing in water, while barefoot or while hands or feet are wet.  
**DANGEROUS ELECTRICAL SHOCK MAY RESULT.**

- The National Electric Code (NEC) requires the frame and external electrically conductive parts of the generator be properly connected to an approved earth ground. Local electrical codes may also require proper grounding of the generator. Consult with a local electrician for grounding requirements in the area.
- Use a ground fault circuit interrupter in any damp or highly conductive area (such as metal decking or steel work).
- Do not use worn, bare, frayed or otherwise damaged electrical cord sets with the generator.
- Before performing any maintenance on the generator, disconnect the engine starting battery (if equipped) to prevent accidental start up. Disconnect the cable from the battery post indicated by a NEGATIVE, NEG or (–) first. Reconnect that cable last.
- In case of accident caused by electric shock, immediately shut down the source of electrical power. If this is not possible, attempt to free the victim from the live conductor. **AVOID DIRECT CONTACT WITH THE VICTIM.** Use a non-conducting implement, such as a rope or board, to free the victim from the live conductor. If the victim is unconscious, apply first aid and get immediate medical help.

## FIRE HAZARDS

- **Gasoline is highly FLAMMABLE and its vapors are EXPLOSIVE. Do not permit smoking, open flames, sparks or heat in the vicinity while handling gasoline.**
- **Never add fuel while unit is running or hot. Allow engine to cool completely before adding fuel.**
- **Never fill fuel tank indoors.** Comply with all laws regulating storage and handling of gasoline.
- **Do not overfill the fuel tank. Always allow room for fuel expansion.** If tank is over-filled, fuel can overflow onto a hot engine and cause FIRE or an EXPLOSION. Never store generator with fuel in tank where gasoline vapors might reach an open flame, spark or pilot light (as on a furnace, water heater or clothes dryer). FIRE or EXPLOSION may result. Allow unit to cool entirely before storage.
- Wipe up any fuel or oil spills immediately. Ensure that no combustible materials are left on or near the generator. Keep the area surrounding the generator clean and free from debris and keep a clearance of five (5) feet on all side to allow for proper ventilation of the generator.
- Do not insert objects through unit's cooling slots.
- **Do not** operate the generator if connected electrical devices overheat, if electrical output is lost, if engine or generator sparks or if flames or smoke are observed while unit is running.
- Keep a fire extinguisher near the generator at all times.



**STANDARDS INDEX**

In the absence of pertinent standards, codes, regulations and laws, the published information listed below may be used as a guideline for operation of this equipment. Always reference the latest revision available for the standards listed.

1. NFPA No. 70, NFPA HANDBOOK OF NATIONAL ELECTRIC CODE.
2. Article X, NATIONAL BUILDING CODE, available from the American Insurance Association, 85 John Street, New York, N.Y. 10038.
3. AGRICULTURAL WIRING HANDBOOK, available from the Food and Energy Council, 909 University Avenue, Columbia, MO 65201.
4. ASAE EP-3634, INSTALLATION AND MAINTENANCE OF FARM STANDBY ELECTRICAL SYSTEMS, available from the American Society of Agricultural Engineers, 2950 Niles Road, St. Joseph, MI 49085.

**CALIFORNIA PROPOSITION 65 WARNING**  
 Engine exhaust and some of its constituents are known to the State of California to cause cancer, birth defects and other reproductive harm.

**CALIFORNIA PROPOSITION 65 WARNING**  
 This product contains or emits chemicals known to the State of California to cause cancer, birth defects and other reproductive harm.

## 1.1 UNPACKING

- Remove all packaging material.
- Remove separate accessory box.
- Remove the generator from carton.

### 1.1.1 ACCESSORY BOX

Check all contents. If any parts are missing or damaged locate an authorized dealer at 1-888-436-3722.

Contents Include:

- 1 – Owner’s Manual
- 1 - Left Handle Assembly
- 1 - Quart Oil SAE 30
- 1 - Right Handle Assembly
- 2 - Never-Flat Wheels
- 1 - Frame Foot
- 1 - 12 volt Adapter Plug Charger\*
- 1 - Foot Support
- 1 - Hardware Bag (containing the following):
  - 2 - Rubber Feet
  - 2 - 5/16” Bolts
  - 2 - 5/16” Flat Washers
  - 4 - 5/16” Locking Flange Nuts
  - 4 - 5/16” Carriage Bolts
  - 2 - 5/16” Locking Cap Nuts
  - 2 - 1/2” Axle Bolts
  - 2 - 1/2” Locking Flange Nuts
  - 2 - 1/2” Flat Washers

\* Electric start units only.

## 1.2 ASSEMBLY

The generator requires some assembly prior to using it. If problems arise when assembling the generator, please call the Generator Helpline at 1-888-436-3722.

### 1.2.1 ASSEMBLING THE ACCESSORY KIT

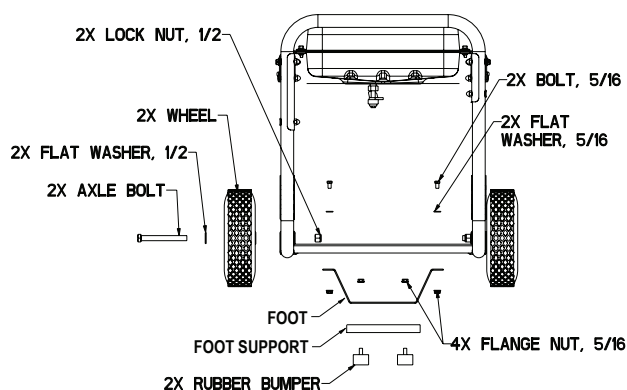
The wheels are designed into the unit to greatly improve the portability of the generator.

**NOTE:**

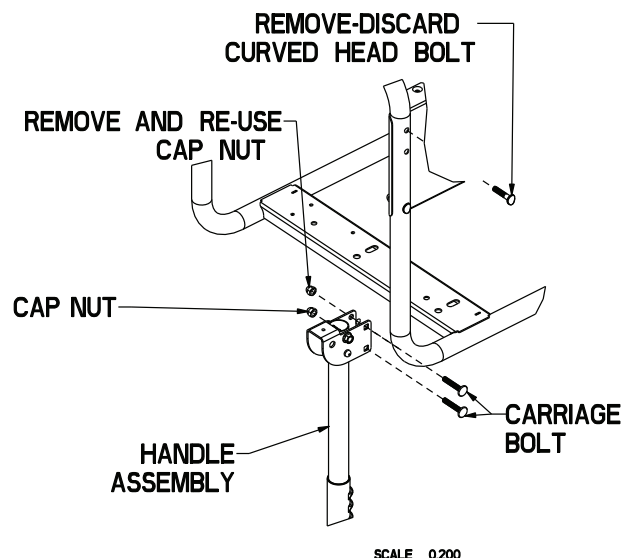
**The wheels are not intended for over-the-road use.**

1. Refer to Figure 1 and install Wheels as follows:
  - Slide the 1/2” Axle Bolt through the 1/2” Washer, the Wheel and Wheel bracket on frame.
  - Install 1/2” Locking Flange Nuts onto 1/2” Flange Bolt.
2. Refer to Figure 1 and install Frame Foot, Foot Support and Rubber Feet as shown.
  - Slide Rubber Foot stud through the Foot Support and Frame Foot; Install 5/16” Locking Flange Nuts Slide 5/16” Bolt through 5/16” Flat Washer and then through holes in Frame Rail.
  - Slide Frame Foot onto 5/16” Bolts; Install 5/16” Locking Flange Nuts.
3. Refer to Figure 2 and install Handles as shown.
  - Remove top Curved Head Bolts and Cap Nuts (Cap Nuts will be re-used).
  - Slide Handle Assembly over Frame Tube, aligning 2 holes.
  - Slide 5/16” Carriage Bolts through; Install 5/16” Cap Nuts.

**Figure 1 – Wheel Assembly**



**Figure 2 – Install Handle Kit**



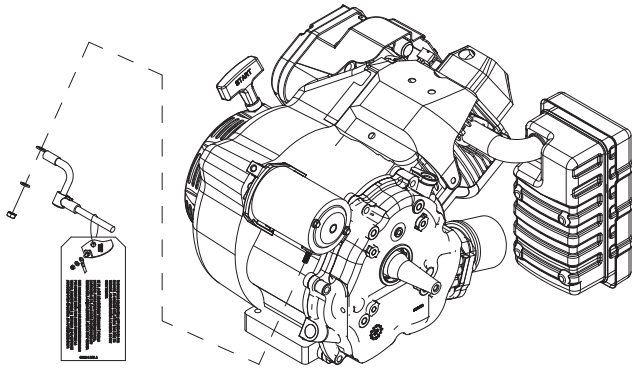
### 1.2.2 STARTER CONNECTION (ELECTRIC START ONLY)

The unit has been deliberately shipped with the starter cable disconnected.

To connect starter:

1. Locate starter cable (a hang tag is attached as shown in Figure 3).
2. Pull vinyl boot back onto starter cable.
3. Remove nut and washer from starter post.
4. Put starter cable onto post and re-install washer and nut.

Figure 3 – Starter Connection



11. **Handles** – Pivot and retract for storage. Press the spring-loaded button to move handles.
  12. **Gas Cap** – Fuel fill location.
  13. **Fuel Gauge** – Shows fuel level in tank.
  14. **Oil Fill** – Add oil here.
  15. **Recoil Starter** – Use to start engine manually.
  16. **Fuel Shut Off** – Valve between fuel tank and carburetor.
  17. **Oil Drain** – Use to drain engine oil.
  - 18\*. **Battery Charger Input** – This receptacle allows the capability to recharge the 12 volt DC storage battery provided with the 12 Volt Adaptor Plug Charger which is included in the Accessory Box. Located behind the battery charger input is a 1.50 Amp in-line fuse which is inside the control panel to protect the battery.
  - 19\*. **Battery** – Powers the electric starter.
- \* Electric start only.

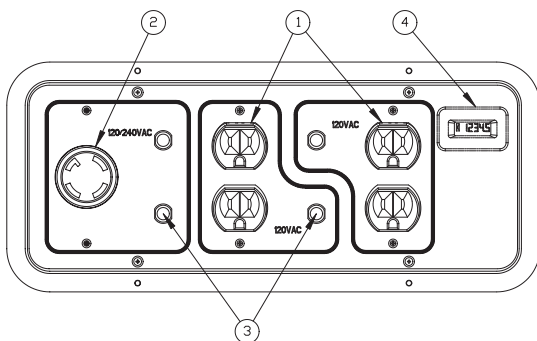
## 2.1 KNOW THE GENERATOR

Read the Owner's Manual and Safety Rules before operating this generator.

Compare the generator to Figures 4 through 6 to become familiarized with the locations of various controls and adjustments. Save this manual for future reference.

1. **120 Volt AC, 20 Amp, Duplex Receptacle** – Supplies electrical power for the operation of 120 Volt AC, 20 Amp, single-phase, 60 Hz electrical lighting, appliance, tool and motor loads.
2. **120/240 Volt AC, 30 Amp Locking Receptacle** – Supplies electrical power for the operation of 120 and/or 240 Volt AC, 30 Amp, single-phase, 60 Hz, electrical lighting, appliance, tool and motor loads.
3. **Circuit Breakers (AC)** – Each receptacle is provided with a push-to-reset circuit breaker to protect the generator against electrical overload.

Figure 4 - Control Panel



4. **Hourmeter** – Tracks hours of operation.
5. **Air Filter** – Filters intake air as it is drawn into the engine.
6. **Choke Knob** – Used when starting a cold engine.
7. **Fuel Tank** – Tank holds 6.6 U.S. gallons of fuel.
8. **Grounding Lug** – Ground the generator to an approved earth ground here. See "Grounding the Generator" for details.
9. **Run/Stop Switch** – Controls the operation of the generator.
10. **Muffler** – Quiets the engine.

Figure 5 - Generator Controls

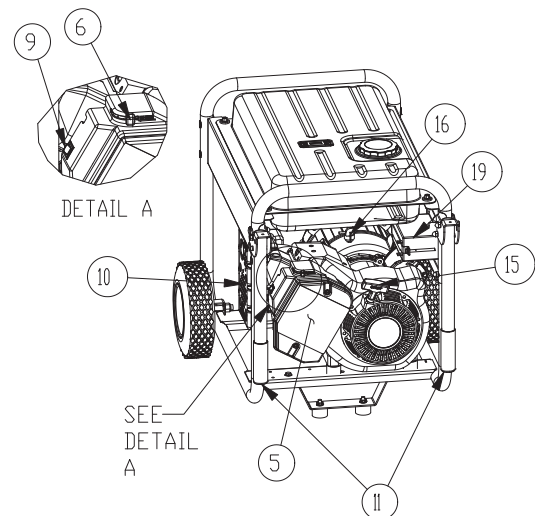
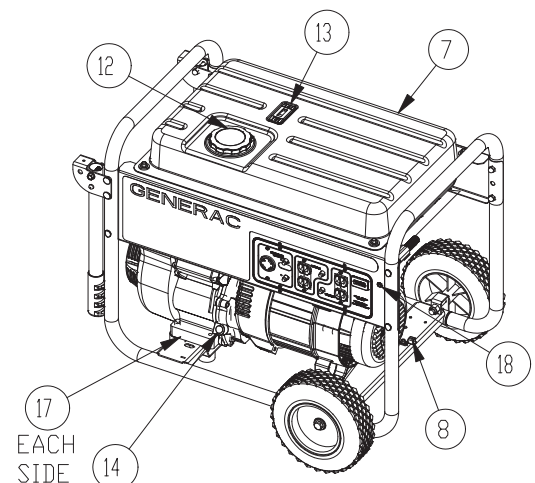
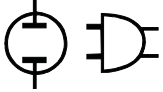


Figure 6 - Generator Controls





## 2.2 HOURMETER

The Hourmeter tracks hours of operation for scheduled maintenance:

There will be a "CHG OIL" message every 100 hours. The message will flash one hour before and one hour after each 100 hour interval, again providing a two hour window to perform service.

This message will actually begin flashing at 99 hours and disable itself at 101 hours providing a two hour window to perform the service.

Every 200 hours the "SVC" icon on the lower left hand corner of the display will flash. The message will flash one hour before and one hour after each 200 hour interval providing a two hour window to perform service.

When the hour meter is in the Flash Alert mode, the maintenance message will always alternate with elapsed time in hours and tenths. The hours will flash four times, then alternate with the maintenance message four times until the meter resets itself.

- 100 hours - CHG OIL — Oil Change Interval (Every 100 hrs)
- 200 hours - SVC — Air Filter Interval (Every 200 hrs)

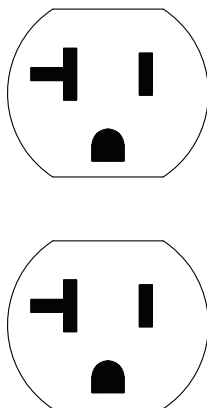
## 2.3 CORD SETS AND CONNECTION PLUGS

### 2.3.1 120 VAC, 20 AMP, DUPLEX RECEPTACLE

This is a 120 Volt outlet protected against overload by a 20 Amp push-to-reset circuit breaker (Figure 7). Use each socket to power 120 Volt AC, single phase, 60 Hz electrical loads requiring up to a combined 2400 watts (2.4 kW) or 20 Amps of current. Use only high quality, well-insulated, 3-wire grounded cord sets rated for 125 Volts at 20 Amps (or greater).

Keep extension cords as short as possible, preferably less than 15 feet long, to prevent voltage drop and possible overheating of wires.

Figure 7 - 120 Volt AC, 20 Amp, Duplex Receptacle



### 2.3.2 120/240 VAC, 30 AMP RECEPTACLE

Use a NEMA L14-30 plug with this receptacle (rotate to lock/unlock). Connect a suitable 4-wire grounded cord set to the plug and to the desired load. The cord set should be rated for 250 Volts AC at 30 Amps (or greater) (Figure 8).

Figure 8 - 120/240 VAC, 30 Amp Receptacle



Use this receptacle to operate 120 Volt AC, 60 Hz, single phase loads requiring up to 3600 watts (3.6 kW) of power at 30 Amps or 240 Volt AC, 60 Hz, single phase loads requiring up to 7200 watts (7.2 kW) of power at 30 Amps. The outlet is protected by two 30 Amp push-to-reset circuit breakers.

## 2.4 HOW TO USE THE GENERATOR

If there are any problems operating the generator, please call the generator helpline at 1-888-436-3722.

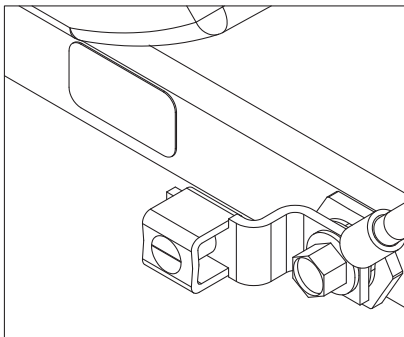
▲ DANGER	▲ DANGER	▲ PELIGRO
Using a generator indoors CAN KILL YOU IN MINUTES.  Generator exhaust contains carbon monoxide. This is a poison you cannot see or smell.	Utiliser un générateur à l'intérieur PEUT VOUS TUER EN QUELQUES MINUTES.  Les gaz d'échappement du générateur contiennent du monoxyde de carbone. C'est un gaz toxique invisible et inodore.	Si usa un generador en interiores, MORIRÁ EN POCOS MINUTOS.  El escape del generador contiene monóxido de carbono. Es un veneno que no tiene olor ni se puede ver.
<p>NEVER use inside a home or garage, EVEN IF doors and windows are open. Only use OUTSIDE and far away from windows, doors, and vents.</p> <p>NE JAMAIS utiliser à l'intérieur d'une maison ou d'un garage, MÊME SI les portes et les fenêtres sont ouvertes. Utilisez UNIQUEMENT à l'EXTÉRIEUR et loin des fenêtres, portes et ventilations.</p> <p>NUNCA lo use dentro de una casa o garaje, AUN SI las puertas y ventanas están abiertas. Sólo úselo EN EXTERIORES y lejos de ventanas, puertas y ductos de ventilación.</p>		

### 2.4.1 GROUNDING THE GENERATOR

The National Electrical Code requires that the frame and external electrically conductive parts of this generator be properly connected to an approved earth ground (Figure 9). Local electrical codes may also require proper grounding of the unit. For that purpose, connecting a No. 10 AWG (American Wire Gauge) stranded copper wire to the grounding lug and to an earth-driven copper or brass grounding rod (electrode) provides adequate protection against electrical shock. However, local codes may vary widely. **Consult with a local electrician for grounding requirements in the area.**



Figure 9 - Grounding the Generator



Proper grounding of the generator will help prevent electrical shock in the event of a ground fault condition in the generator or in connected electrical devices. Proper grounding also helps dissipate static electricity, which often builds up in ungrounded devices.

### 2.4.2 CONNECTING ELECTRICAL LOADS

**DO NOT** connect 240 Volt loads to 120 Volt receptacles. **DO NOT** connect 3-phase loads to the generator. **DO NOT** connect 50 Hz loads to the generator.

- Let engine stabilize and warm up for a few minutes after starting.
- Plug in and turn on the desired 120 or 240 Volt AC, single phase, 60 Hz electrical loads.
- Add up the rated watts (or amps) of all loads to be connected at one time. This total should not be greater than (a) the rated wattage/ampere capacity of the generator or (b) circuit breaker rating of the receptacle supplying the power. See "Don't Overload the Generator".

## 2.5 DON'T OVERLOAD THE GENERATOR

Overloading a generator in excess of its rated wattage capacity can result in damage to the generator and to connected electrical devices. Observe the following to prevent overloading the unit:

- Add up the total wattage of all electrical devices to be connected at one time. This total should NOT be greater than the generator's wattage capacity.
- The rated wattage of lights can be taken from light bulbs. The rated wattage of tools, appliances and motors can usually be found on a data label or decal affixed to the device.
- If the appliance, tool or motor does not give wattage, multiply volts times ampere rating to determine watts (volts x amps = watts).
- Some electric motors, such as induction types, require about three times more watts of power for starting than for running. This surge of power lasts only a few seconds when starting such motors. Make sure to allow for high starting wattage when selecting electrical devices to connect to the generator:

1. Figure the watts needed to start the largest motor.
2. Add to that figure the running watts of all other connected loads.

The Wattage Reference Guide is provided to assist in determining how many items the generator can operate at one time.

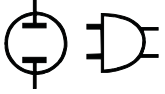
**NOTE:**

**All figures are approximate. See data label on appliance for wattage requirements.**

## 2.6 WATTAGE REFERENCE GUIDE

Device	Running Watts
*Air Conditioner (12,000 Btu)	1700
*Air Conditioner (24,000 Btu)	3800
*Air Conditioner (40,000 Btu)	6000
Battery Charger (20 Amp)	500
Belt Sander (3")	1000
Chain Saw	1200
Circular Saw (6-1/2")	.800 to 1000
*Clothes Dryer (Electric)	5750
*Clothes Dryer (Gas)	700
*Clothes Washer	1150
Coffee Maker	1750
*Compressor (1 HP)	2000
*Compressor (3/4 HP)	1800
*Compressor (1/2 HP)	1400
Curling Iron	700
*Dehumidifier	650
Disc Sander (9")	1200
Edge Trimmer	500
Electric Blanket	400
Electric Nail Gun	1200
Electric Range (per element)	1500
Electric Skillet	1250
*Freezer	700
*Furnace Fan (3/5 HP)	875
*Garage Door Opener	.500 to 750
Hair Dryer	1200
Hand Drill	.250 to 1100
Hedge Trimmer	450
Impact Wrench	500
Iron	1200
*Jet Pump	800
Lawn Mower	1200
Light Bulb	100
Microwave Oven	.700 to 1000
*Milk Cooler	1100
Oil Burner on Furnace	300
Oil Fired Space Heater (140,000 Btu)	400
Oil Fired Space Heater (85,000 Btu)	225
Oil Fired Space Heater (30,000 Btu)	150
*Paint Sprayer, Airless (1/3 HP)	600
Paint Sprayer, Airless (handheld)	150
Radio	.50 to 200
*Refrigerator	700
Slow Cooker	200

# OPERATION



## Section 2 – Operation Portable Generator System

*Submersible Pump (1-1/2 HP) . . . . .	2800
*Submersible Pump (1 HP) . . . . .	2000
*Submersible Pump (1/2 HP) . . . . .	1500
*Sump Pump . . . . .	.800 to 1050
*Table Saw (10") . . . . .	.1750 to 2000
Television . . . . .	.200 to 500
Toaster . . . . .	.1000 to 1650
Weed Trimmer . . . . .	.500

\* Allow 3 times the listed watts for starting these devices.

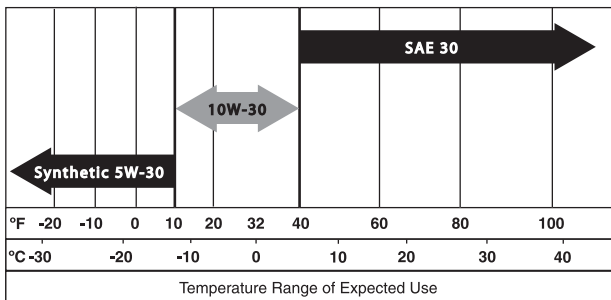
### 2.7 BEFORE STARTING THE GENERATOR

Prior to operating the generator, engine oil and gasoline will need to be added, as follows:

#### 2.7.1 ADDING ENGINE OIL

All oil should meet minimum American Petroleum Institute (API) Service Class SJ, SL or better. Use no special additives. Select the oil's viscosity grade according to the expected operating temperature (also see chart).

- Above 40° F, use SAE 30
- Below 40° F and down to 10° F, use 10W-30
- Below 10° F, use synthetic 5W-30

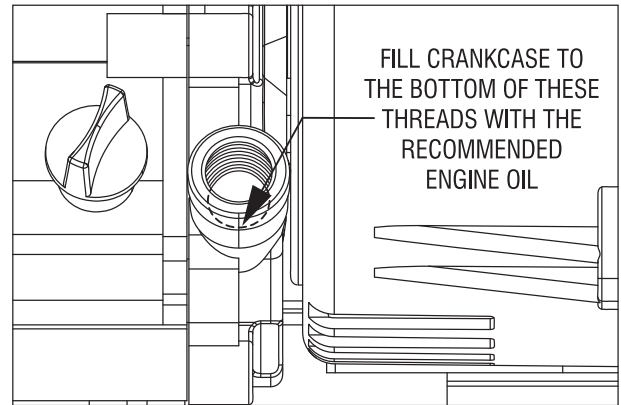


### CAUTION

**Any attempt to crank or start the engine before it has been properly serviced with the recommended oil may result in an engine failure.**

- Place generator on a level surface.
- Clean area around oil fill and remove oil fill cap.
- Slowly fill engine with oil until it reaches the threads of the oil fill opening (see Figure 10). Stop filling occasionally to check oil level.
- Install oil fill cap and finger tighten securely.
- Check engine oil level before starting each time thereafter.

Figure 10 – Oil Level

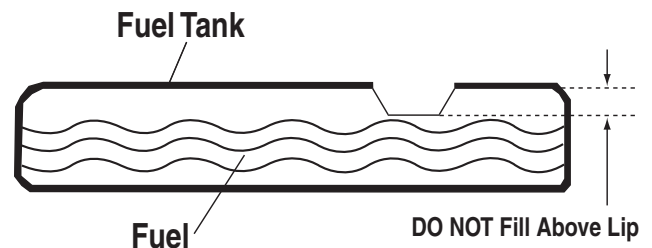


#### 2.7.2 ADDING GASOLINE

### DANGER

- ⚠ **Never fill fuel tank indoors. Avoid spilling gasoline on hot engine. Allow engine to cool entirely before adding fuel. Never fill fuel tank when engine is running or hot. DO NOT light a cigarette or smoke when filling the fuel tank. Gasoline is highly flammable and its vapors are explosive.**
- ⚠ **Do not overfill the fuel tank. Always leave room for fuel expansion. If the fuel tank is overfilled, fuel can over flow onto a hot engine and cause fire or an explosion. Wipe up any spilled fuel immediately.**
- Use regular UNLEADED gasoline with the generator engine. Do not use premium gasoline. Do not mix oil with gasoline.
- Clean area around fuel fill cap, remove cap.
- Slowly add unleaded regular gasoline to fuel tank. Fill to bottom of screen filter. **Be careful not to overfill** (Figure 11).
- Install fuel cap and wipe up any spilled gasoline.

Figure 11 - Fuel Tank



**IMPORTANT:** It is important to prevent gum deposits from forming in fuel system parts such as the carburetor, fuel hose or tank during storage. Alcohol-blended fuels (called gasohol, ethanol or methanol) can attract moisture, which leads to separation and formation of acids during storage. Acidic gas can damage the fuel system of an engine while in storage. To avoid engine problems, the fuel system should be emptied before storage of 30 days or longer. See the "Storage" section. Never use engine or carburetor cleaner products in the fuel tank as permanent damage may occur.

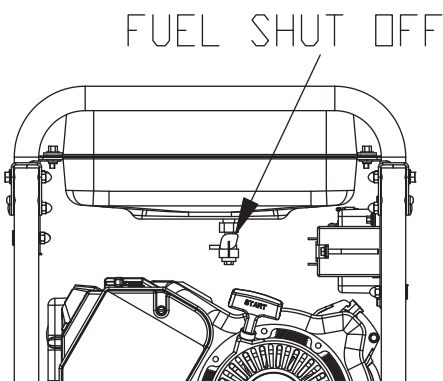
## 2.8 STARTING PULL START ENGINES

### ⚠ WARNING ⚠

⚠ **Never start or stop engine with electrical devices plugged into the receptacles AND devices turned on.**

- Unplug all electrical loads from the unit's receptacles before starting the engine.
- Make sure the unit is in a level position.
- OPEN the Fuel Shut-off Valve (Figures 12 and 14).
- Turn engine RUN/STOP switch to ON position (Figure 15).
- Pull engine CHOKE knob outward to FULL CHOKE position (Figure 13).
- To start engine, firmly grasp the recoil handle and pull slowly until increased resistance is felt. Pull rapidly up and away.
- When engine starts, move choke knob to 1/2-CHOKE position until engine runs smoothly and then fully into RUN position. If engine falters, move choke back out to 1/2-CHOKE position until engine runs smoothly and then to RUN position.

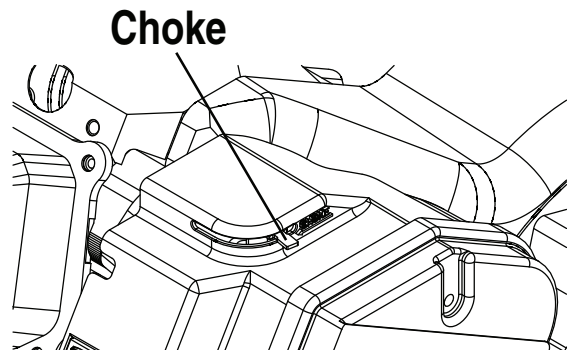
Figure 12 - Fuel Shut-off Valve



**NOTE:**

**If engine fires, but does not continue to run, move choke lever to FULL CHOKE and repeat starting instructions.**

Figure 13 - Choke Position



**IMPORTANT:** Do not overload the generator. Also, do not overload individual panel receptacles. These outlets are protected against overload with push-to-reset-type circuit breakers. If amperage rating of any circuit breaker is exceeded, that breaker opens and electrical output to that receptacle is lost. Read "Don't Overload the Generator" carefully.

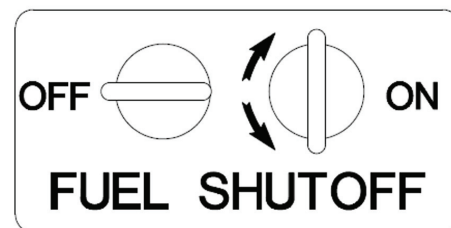
## 2.9 STARTING ELECTRIC START ENGINES

### ⚠ WARNING ⚠

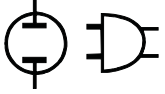
⚠ **Never start or stop engine with electrical devices plugged into the receptacles AND devices turned on.**

- Unplug all electrical loads from the unit's receptacles before starting the engine.
- Make sure the unit is in a level position.
- Open the fuel shut-off valve (Figures 12 and 14).
- Move engine CHOKE knob outward to "Full Choke" position (Figure 15).

Figure 14 - Fuel Shut-off Valve



- To start engine, press and hold the Start/Run/Stop switch in the "Start" position. The engine will crank and attempt to start. When the engine starts, release the switch to the run position.
- When the engine starts, move choke knob to "1/2 Choke" position until the engine runs smoothly and then fully in to the "Run" position. If engine falters, move choke knob back out to "1/2 Choke" position until the engine runs smoothly and then to "Run" position.



- This generator is also equipped with a manual recoil starter which may be used if the battery is discharged.

**NOTE:**

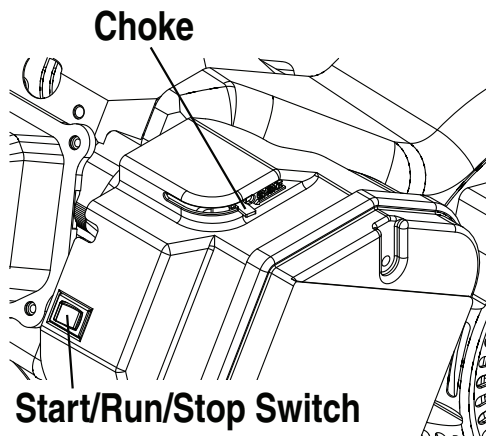
The switch must be in the RUN position.

- To start manually, firmly grasp the recoil handle and pull slowly until increased resistance is felt. Pull rapidly up and away to start engine. Then follow the same choke sequence.

**NOTE:**

If engine fires, but does not continue to run, move choke lever to “Full Choke” and repeat starting instructions.

*Figure 15 - Choke Position*



**IMPORTANT:** Do not overload the generator. Also, do not overload individual panel receptacles. These outlets are protected against overload with push-to-reset-type circuit breakers. If amperage rating of any circuit breaker is exceeded, that breaker opens and electrical output to that receptacle is lost. Read “Don’t Overload the Generator” carefully.

## 2.10 STOPPING THE ENGINE

- Shut off all loads, then unplug the electrical loads from generator panel receptacles. Never start or stop the engine with electrical devices plugged in and turned on.
- Let engine run at no-load for several minutes to stabilize the internal temperatures of engine and generator.
- Move Run/Stop switch to OFF position.
- Close fuel valve.

## 2.11 LOW OIL LEVEL SHUTDOWN SYSTEM

The engine is equipped with a low oil level sensor that shuts down the engine automatically when the oil level drops below a specified level. If the engine shuts down by itself and the fuel tank has enough gasoline, check engine oil level.

### 2.11.1 SENSING LOW OIL LEVEL

If the system senses a low oil level during operation, the engine shuts down. The engine will not run until the oil has been refilled to the proper level.

## 2.12 CHARGING THE BATTERY (ELECTRIC START UNITS ONLY)



- ⚠ Storage batteries give off explosive hydrogen gas while recharging. An explosive mixture will remain around the battery for a long time after it has been charged. The slightest spark can ignite the hydrogen and cause an explosion. Such an explosion can shatter the battery and cause blindness or other serious injury.



- ⚠ Do not permit smoking, open flame, sparks or any other source of heat around a battery. Wear protective goggles, rubber apron and rubber gloves when working around a battery. Battery electrolyte fluid is an extremely corrosive sulfuric acid solution that can cause severe burns. If spill occurs flush area with clear water immediately.

**NOTE:**

The battery shipped with the generator has been fully charged. A battery may lose some of its charge when not in use for prolonged periods of time. If the battery is unable to crank the engine, plug in the 12V charger included in the accessory box (see section “Charging the Battery”). **RUNNING THE GENERATOR DOES NOT CHARGE THE BATTERY.**

Use battery charger plug to keep the battery charged and ready for use. Battery charging should be done in a dry location.

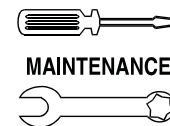
1. Plug charger into “Battery Charger Input” jack, located on the control panel. Plug wall receptacle end of the battery charger into a 120 Volt AC wall outlet (Figure 16).
2. Unplug battery charger from wall outlet and control panel jack when generator is going to be in use.

*Figure 16 - Battery Charger Jack*

## BATTERY



## CHARGER INPUT



**NOTE:**

**Do not use the battery charger for more than 48 hours at one charge.**

### 3.1 MAINTENANCE SCHEDULE

Follow the calendar intervals. More frequent service is required when operating in adverse conditions noted below.

Check Oil Level	At Each Use
Change Oil ‡	*Every 100 hours or Every Season
Check Valve Clearance	***Every Season
Service Air Filter	** Every 200 hours or Every Season
Replace Spark Plug	Every Season

- ‡ Change oil after first 30 hours of operation then every season.
- \* Change oil and oil filter every month when operating under heavy load or in high temperatures.
- \*\* Clean more often under dirty or dusty operating conditions. Replace air filter parts if they cannot be adequately cleaned.
- \*\*\* Check valve clearance and adjust if necessary after first 50 hours of operation and every 100 hours thereafter.

### 3.2 PRODUCT SPECIFICATIONS

#### 3.2.1 GENERATOR SPECIFICATIONS

Rated. Power .....	7.0/8.0 kW**
Surge Power .....	8.7/12.0 kW
Rated AC Voltage .....	120/240
Rated Max AC Load	
Current @ 240V (7.0/8.0 kW) .....	25 Amps/30 Amps**
Current @ 120V .....	20 Amps**
Rated Frequency .....	60 Hz @ 3600 RPM
Phase .....	Single Phase

\*\* Maximum wattage and current are subject to, and limited by, such factors as fuel Btu content, ambient temperature, altitude, engine condition, etc.. Maximum power decreases about 3.5% for each 1,000 feet above sea level; and will also decrease about 1% for each 6° C (10° F) above 16° C (60° F) ambient temperature.

#### 3.2.2 ENGINE SPECIFICATIONS

Rated Horsepower @ 3600 RPM.....	14.5
Displacement.....	410cc
Spark Plug Type.....	Champion RC14YC or Equivalent
Spark Plug Gap.....	0.030 inch or (0.76 mm)
Gasoline Capacity .....	8 U.S. gallons
Oil Type.....	See Chart in "Adding Engine Oil" Section
Oil Capacity .....	w/ Filter Change = 1.5 Qts.
	w/o Filter Change = 1.2 Qts.
Run Time/Fuel Consumption-1/2 Load ..	10 Hours / .80 gallons per hour
Class II Emission Certified	

### 3.3 GENERAL RECOMMENDATIONS

The warranty of the generator does not cover items that have been subjected to operator abuse or negligence. To receive full value from the warranty, the operator must maintain the generator as instructed in this manual.

Some adjustments will need to be made periodically to properly maintain the generator.

All adjustments in the Maintenance section of this manual should be made at least once each season. Follow the requirements in the "Maintenance Schedule".

**NOTE:**

**Once a year replace the spark plug and replace the air filter. A new spark plug and clean air filter assure proper fuel-air mixture and help the engine run better and last longer.**

#### 3.3.1 GENERATOR MAINTENANCE

Generator maintenance consists of keeping the unit clean and dry. Operate and store the unit in a clean dry environment where it will not be exposed to excessive dust, dirt, moisture or any corrosive vapors. Cooling air slots in the generator must not become clogged with snow, leaves, or any other foreign material.

Check the cleanliness of the generator frequently and clean when dust, dirt, oil, moisture or other foreign substances are visible on its exterior surface.



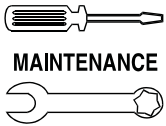
**Never insert any object or tool through the air cooling slots, even if the engine is not running.**

**NOTE:**

**DO NOT use a garden hose to clean generator. Water can enter the engine fuel system and cause problems. In addition, if water enters the generator through cooling air slots, some water will be retained in voids and crevices of the rotor and stator winding insulation. Water and dirt buildup on the generator internal windings will eventually decrease the insulation resistance of these windings.**

#### 3.3.2 TO CLEAN THE GENERATOR

- Use a damp cloth to wipe exterior surfaces clean.
- A soft, bristle brush may be used to loosen caked on dirt, oil, etc.
- A vacuum cleaner may be used to pick up loose dirt and debris.
- Low pressure air (not to exceed 25 psi) may be used to blow away dirt. Inspect cooling air slots and openings on the generator. These openings must be kept clean and unobstructed.



### 3.3.3 ENGINE MAINTENANCE



⚠ **When working on the generator, always disconnect negative cable from battery. Also disconnect spark plug wire from spark plug and keep wire away from spark plug.**

### 3.3.4 CHECKING OIL LEVEL

See the “Before Starting the Generator” section for information on checking the oil level. The oil level should be checked before each use, or at least every eight hours of operation. Keep the oil level maintained.

### 3.3.5 CHANGING THE OIL

Change the oil after the first 30 hours of operation. Change the oil every 100 hours or every season thereafter. If running this unit under dirty or dusty conditions, or in extremely hot weather, change the oil more often.



⚠ **Hot oil may cause burns. Allow engine to cool before draining oil. Avoid prolonged or repeated skin exposure with used oil. Thoroughly wash exposed areas with soap.**

Use the following instructions to change the oil while the engine is still warm:

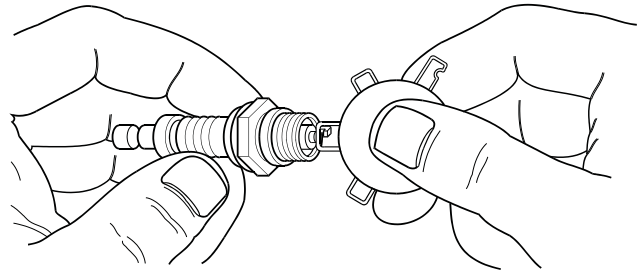
- Clean area around oil drain plug.
- Remove oil drain plug from engine and oil fill plug to drain oil completely into a suitable container.
- When oil has completely drained, install oil drain plug and tighten securely.
- Fill oil sump with recommended oil. (See “Before Starting the Generator” for oil recommendations).
- Wipe up any spilled oil.
- Dispose of used oil at a proper collection center.

### 3.3.6 REPLACING THE SPARK PLUG

Use Champion RC14YC spark plug or equivalent. **Replace the plug once each year.** This will help the engine start easier and run better.

1. Stop the engine and pull the spark plug wire off of the spark plug.
2. Clean the area around the spark plug and remove it from the cylinder head.
3. Set the spark plug's gap to 0.70-0.80 mm (0.028-0.031 in.). Install the correctly gapped spark plug into the cylinder head (Figure 17).

Figure 17 - Spark Plug Gap



### 3.3.7 BATTERY REPLACEMENT

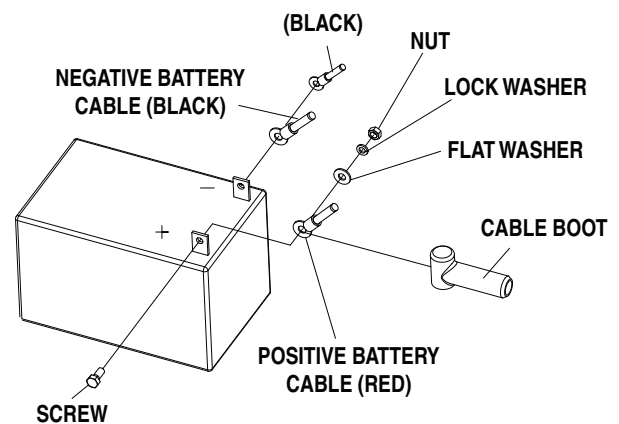
NOTE:

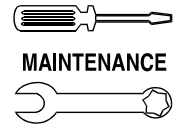
The battery shipped with the generator has been fully charged. A battery may lose some of its charge when not in use for prolonged periods of time. If the battery is unable to crank the engine, plug in the 12V charger included in the accessory box (see the Charging a Battery section). **RUNNING THE GENERATOR DOES NOT CHARGE THE BATTERY.**



- ⚠ **The NEGATIVE battery terminal should:**
1. Always be DISCONNECTED FIRST.
  2. Always be CONNECTED LAST.

Figure 18 - Battery Connections

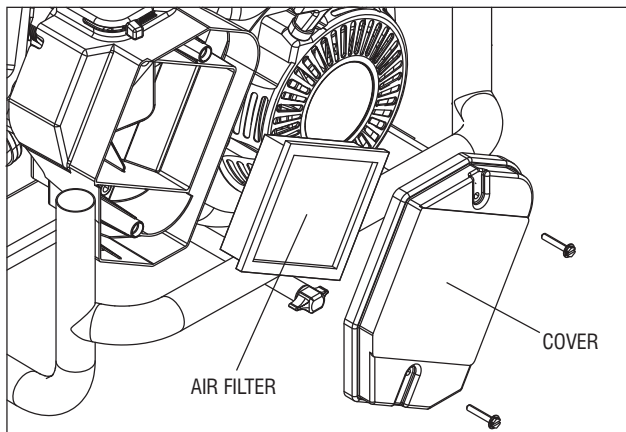




### 3.4 SERVICE AIR CLEANER

The engine will not run properly and may be damaged if using a dirty air cleaner. Clean or replace the air cleaner paper filter once a year (Figure 19). Clean or replace more often if operating under dusty conditions.

Figure 19 - Air Cleaner



#### To clean or replace paper air filter:

- Remove air cleaner cover and remove paper filter.
- Clean paper filter by tapping it gently on a solid surface. If the filter is too dirty, replace it with a new one. Dispose of the old filter properly.
- Clean air cleaner cover, then insert new paper filter into the base of the air cleaner. Re-install air cleaner cover.

**NOTE:**

To order a new air filter, please contact the nearest authorized service center at 1-800-333-1322.

### 3.5 CLEAN SPARK ARRESTOR SCREEN

The engine exhaust muffler has a spark arrestor screen. Inspect and clean the screen at least once each year (Figure 20). If unit is used regularly, inspect and clean more often.

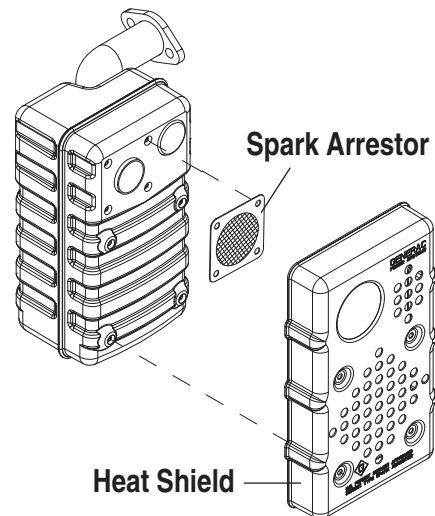
**NOTE:**

**If using the generator on any forest-covered, brush-covered or grass-covered unimproved land, it must be equipped with a spark arrestor. The spark arrestor must be maintained in good condition by the owner/operator.**

#### Clean and inspect the spark arrestor as follows:

- Remove muffler heat shield from muffler, removing four screws.
- Remove spark arrestor from muffler, removing four screws.
- Inspect screen and replace if torn, perforated or otherwise damaged. DO NOT USE a defective screen. If screen is not damaged, clean it with commercial solvent.
- Replace the spark arrestor and muffler heat shield.

Figure 20 - Spark Arrestor



### 3.6 ADJUSTING VALVE CLEARANCE

After the first 50 hours of operation, check the valve clearance in the engine and adjust if necessary.

**Important:** If feeling uncomfortable about doing this procedure or the proper tools are not available, please take the generator to the nearest service center to have the valve clearance adjusted. This is a very important step to insure longest life for the engine.

#### To check valve clearance:

- Make sure the engine is at room temperature (60° - 80° F).
- Make sure that the spark plug wire is removed from the spark plug and out of the way. Remove spark plug.
- Remove the four screws attaching the valve cover.
- Make sure the piston is at Top Dead Center (TDC) of its compression stroke (both valves closed). To get the piston at TDC, remove the intake screen at the front of the engine to gain access to the flywheel nut. Use a large socket and socket wrench to rotate the nut and hence the engine in a clockwise direction while watching the piston through the spark plug hole. The piston should move up and down. The piston is at TDC when it is up as high as it can go.
- Insert a 0.002 - 0.004 inch (0.05 - 0.1mm) feeler gauge between the rocker arm and valve stem. Correct clearance is when a slight drag is felt when sliding the gauge back and forth. If the clearance is either excessively loose or tight the rocker arms will need adjusting.

#### To adjust valve clearance:

- Loosen the rocker jam nut (Figure 21). Use an 10mm allen wrench to turn the pivot ball stud while checking clearance between the rocker arm and the valve stem with a feeler gauge. Correct clearance is 0.002-0.004 inch (0.05-0.1 mm).

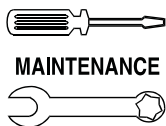
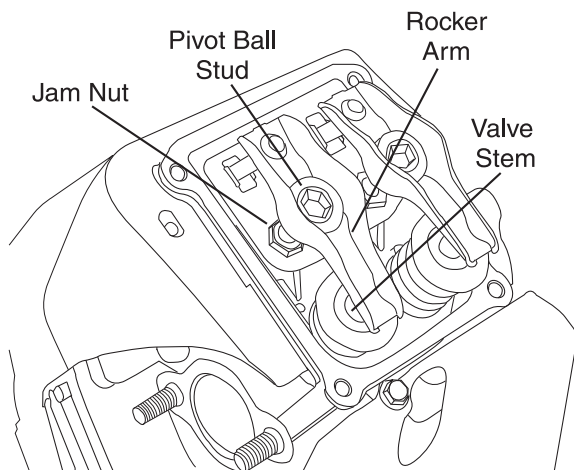


Figure 21 - Valve Clearance Adjustment



**NOTE:**

The rocker arm jam nut must be held in place as the pivot ball stud is turned.

When valve clearance is correct, hold the pivot ball stud in place with the allen wrench and tighten the rocker arm jam nut. Tighten the jam nut to 174 in/lbs. torque. After tightening the jam nut, recheck valve clearance to make sure it did not change.

- Install new valve cover gasket.
- Re-attach the valve cover.

**NOTE:**

Start all four screws before tightening or it will not be possible to get all the screws in place. Make sure the valve cover gasket is in place. Replace spark plug.

- Re-attach the spark plug wire to the spark plug.

### 3.7 LONG TERM STORAGE

It is important to prevent gum deposits from forming in essential fuel system parts such as the carburetor, fuel hose or tank during storage. Also, experience indicates that alcohol-blended fuels (called gasohol, ethanol or methanol) can attract moisture, which leads to separation and formation of acids during storage. Acidic gas can damage the fuel system of an engine while in storage.

To avoid engine problems, the fuel system should be emptied before storage of 30 days or longer, as follows:

- Remove all gasoline from the fuel tank.

**! DANGER !**

**! Drain fuel into approved container outdoors, away from open flame. Be sure engine is cool. Do not smoke.**

- Start and run engine until engine stops from lack of fuel.
- Allow the engine to cool, then drain oil from crankcase. Refill with recommended grade.
- Remove spark plug and pour about 1/2 ounce (15 ml) of engine oil into the cylinder. Cover spark plug hole with rag. Pull the recoil starter a couple times to lubricate the piston rings and cylinder bore.

**! CAUTION !**

**! Avoid spray from spark plug hole when cranking engine.**

- Install and tighten spark plug. Do not connect spark plug wire.
- Clean the generator's outer surfaces. Check that cooling air slots and openings on generator are open and unobstructed.
- Store the unit in a clean, dry place.

### 3.8 OTHER STORAGE TIPS

- Do not store gasoline from one season to another.
- Replace the gasoline can if it starts to rust. Rust and/or dirt in the gasoline will cause problems with the carburetor and fuel system.
- If possible, store the unit indoors and cover it to give protection from dust and dirt. **BE SURE TO EMPTY THE FUEL TANK.**
- If it is not practical to empty the fuel tank and the unit is to be stored for some time, use a commercially available fuel stabilizer added to the gasoline to increase the life of the gasoline.
- Cover the unit with a suitable protective cover that does not retain moisture.

**! DANGER !**

**! NEVER cover the generator while engine and exhaust area are warm.**





## 4.1 TROUBLESHOOTING GUIDE

PROBLEM	CAUSE	CORRECTION
Engine is running, but no AC output is available.	<ol style="list-style-type: none"> <li>1. Circuit breaker is open.</li> <li>2. Poor connection or defective cord set.</li> <li>3. Connected device is bad.</li> <li>4. Fault in generator.</li> </ol>	<ol style="list-style-type: none"> <li>1. Reset circuit breaker.</li> <li>2. Check and repair.</li> <li>3. Connect another device that is in good condition.</li> <li>4. Contact Authorized Service Facility.</li> </ol>
Engine runs good but bogs down when loads are connected.	<ol style="list-style-type: none"> <li>1. Short circuit in a connected load.</li> <li>2. Generator is overloaded.</li> <li>3. Engine speed is too slow.</li> <li>4. Shorted generator circuit.</li> </ol>	<ol style="list-style-type: none"> <li>1. Disconnect shorted electrical load.</li> <li>2. See "Don't Overload the Generator" .</li> <li>3. Contact Authorized Service Facility.</li> <li>4. Contact Authorized Service Facility.</li> </ol>
Engine will not start; or starts and runs rough.	<ol style="list-style-type: none"> <li>1. Fuel Shut-off is OFF.</li> <li>2. Dirty air filter.</li> <li>3. Out of gasoline.</li> <li>4. Stale gasoline.</li> <li>5. Spark plug wire not connected to spark plug.</li> <li>6. Bad spark plug.</li> <li>7. Water in gasoline.</li> <li>8. Over-choking.</li> <li>9. Low oil level.</li> <li>10. Excessive rich fuel mixture.</li> <li>11. Intake valve stuck open or closed.</li> <li>12. Engine has lost compression.</li> </ol>	<ol style="list-style-type: none"> <li>1. Turn Fuel Shut-off to ON.</li> <li>2. Clean or replace air filter.</li> <li>3. Fill fuel tank.</li> <li>4. Drain fuel tank and fill with fresh fuel.</li> <li>5. Connect wire to spark plug.</li> <li>6. Replace spark plug.</li> <li>7. Drain fuel tank; fill with fresh fuel.</li> <li>8. Put choke knob to <b>No Choke</b> position.</li> <li>9. Fill crankcase to proper level.</li> <li>10. Contact Authorized Service Facility.</li> <li>11. Contact Authorized Service Facility.</li> <li>12. Contact Authorized Service Facility.</li> </ol>
Engine shuts down during operation.	<ol style="list-style-type: none"> <li>1. Out of gasoline.</li> <li>2. Low oil level.</li> <li>3. Fault in engine.</li> </ol>	<ol style="list-style-type: none"> <li>1. Fill fuel tank.</li> <li>2. Fill crankcase to proper level.</li> <li>3. Contact Authorized Service Facility.</li> </ol>
Engine lacks power.	<ol style="list-style-type: none"> <li>1. Load is too high.</li> <li>2. Dirty air filter.</li> <li>3. Engine needs to be serviced.</li> </ol>	<ol style="list-style-type: none"> <li>1. Reduce load (see "Don't Overload the Generator").</li> <li>2. Clean or replace air filter.</li> <li>3. Contact Authorized Service Facility.</li> </ol>
Engine "hunts" or falters.	<ol style="list-style-type: none"> <li>1. Choke is opened too soon.</li> <li>2. Carburetor is running too rich or too lean.</li> </ol>	<ol style="list-style-type: none"> <li>1. Move choke to halfway position until engine runs smoothly.</li> <li>2. Contact Authorized Service Facility.</li> </ol>







## Section 6 — Warranty

### Portable Generator System

#### GENERAC POWER SYSTEMS “TWO YEAR” LIMITED WARRANTY FOR GP SERIES PORTABLE GENERATORS

For a period of two years from the date of original sale, Generac Power Systems, Inc. (Generac) warrants its GP Series generators will be free from defects in materials and workmanship for the items and period set forth below. Generac will, at its option, repair or replace any part which, upon examination, inspection and testing by Generac or a Generac Authorized Warranty Service Dealer, is found to be defective. Any equipment that the purchaser/owner claims to be defective must be returned to and examined by the nearest Generac Authorized Warranty Service Dealer. All transportation costs under the warranty, including return to the factory, are to be borne and prepaid by the purchaser/owner. This warranty applies only to Generac GP Series portable generators and is not transferable from original purchaser. Save your proof-of-purchase receipt. If you do not provide proof of the initial purchase date, the manufacturer's shipping date of the product will be used to determine the warranty period.

#### WARRANTY SCHEDULE

Consumer applications are warranted for two (2) years. Commercial and Rental applications are warranted for one (1) year or 1000 hours maximum, whichever comes first.

##### CONSUMER APPLICATION

YEARS ONE and TWO - 100% (one hundred percent) coverage on Labor and Part(s) listed (proof of purchase and maintenance is required):

- Engine- All Components
- Alternator- All Components

##### COMMERCIAL/RENTAL APPLICATION

YEAR ONE – 100% (one hundred percent) coverage on Labor and Part(s) listed (proof of purchase and maintenance is required):

- Engine- All Components
- Alternator- All Components

**NOTE:** For the purpose of this warranty “consumer use” means personal residential household or recreational use by original purchaser. This warranty does not apply to units used for Prime Power in place of utility where utility power service is present or where utility power service does not normally exist. Once a generator has experienced commercial or rental use, it shall thereafter be considered a non-consumer use generator for the purpose of this warranty.

All warranty expense allowances are subject to the conditions defined in Generac's Warranty Policies, Procedures and Flat Rate Manual.

#### THIS WARRANTY SHALL NOT APPLY TO THE FOLLOWING:

- Generac built portable generators built prior to May 2008.
- Generac portable generators that utilize non-Generac replacement parts.
- Costs of normal maintenance and adjustments.
- Failures caused by any contaminated fuels, oils or lack of proper oil levels.
- Repairs or diagnostics performed by individuals other than Guardian/Generac authorized dealers not authorized in writing by Generac Power Systems.
- Failures due, but not limited, to normal wear and tear, accident, misuse, abuse, negligence or improper use. As with all mechanical devices, the Generac engines need periodic part(s) service and replacement to perform as designed. This warranty will not cover repair when normal use has exhausted the life of a part(s) or engine.
- Failures caused by any external cause or act of God, such as collision, theft, vandalism, riot or wars, nuclear holocaust, fire, freezing, lightning, earth-quake, windstorm, hail, volcanic eruption, water or flood, tornado or hurricane.
- Damage related to rodent and/or insect infestation.
- Products that are modified or altered in a manner not authorized by Generac in writing.
- Any incidental, consequential or indirect damages caused by defects in materials or workmanship, or any delay in repair or replacement of the defective part(s).
- Failure due to misapplication.
- Telephone, cellular phone, facsimile, internet access or other communication expenses.
- Living or travel expenses of person(s) performing service, except as specifically included within the terms of a specific unit warranty period.
- Expenses related to “customer instruction” or troubleshooting where no manufacturing defect is found.
- Rental equipment used while warranty repairs are being performed.
- Overnight freight or special shipping costs for replacement part(s).
- Overtime, holiday or emergency labor.
- Starting batteries, fuses, light bulbs and engine fluids.

THIS WARRANTY IS IN PLACE OF ALL OTHER WARRANTIES, EXPRESSED OR IMPLIED. SPECIFICALLY, GENERAC MAKES NO OTHER WARRANTIES AS TO THE MERCHANTABILITY OR FITNESS FOR A PARTICULAR PURPOSE. Some states do not allow limitations on how long an implied warranty lasts, so the above limitation may not apply to you. GENERAC'S ONLY LIABILITY SHALL BE THE REPAIR OR REPLACEMENT OF PART(S) AS STATED ABOVE. IN NO EVENT SHALL GENERAC BE LIABLE FOR ANY INCIDENTAL OR CONSEQUENTIAL DAMAGES, EVEN IF SUCH DAMAGES ARE A DIRECT RESULT OF GENERAC'S NEGLIGENCE. Some states do not allow the exclusion or limitation of incidental or consequential damages, so the above limitation may not apply to you. This warranty gives you specific legal rights. You also have other rights from state to state.

**GENERAC POWER SYSTEMS, INC.**

**P.O. BOX 8 • Waukesha, WI 53187**

**Ph: (888) GENERAC (436-3722) • Fax: (262) 544-4851**

**To locate the nearest Authorized Dealer visit our website [www.generac.com](http://www.generac.com)**

Part No. 0G9451

Revision D (10/27/08)

Printed in U.S.A.

Manual Part No. 0G8751

Rev D (01/07/10)

Printed in U.S.A.

# Serie GP

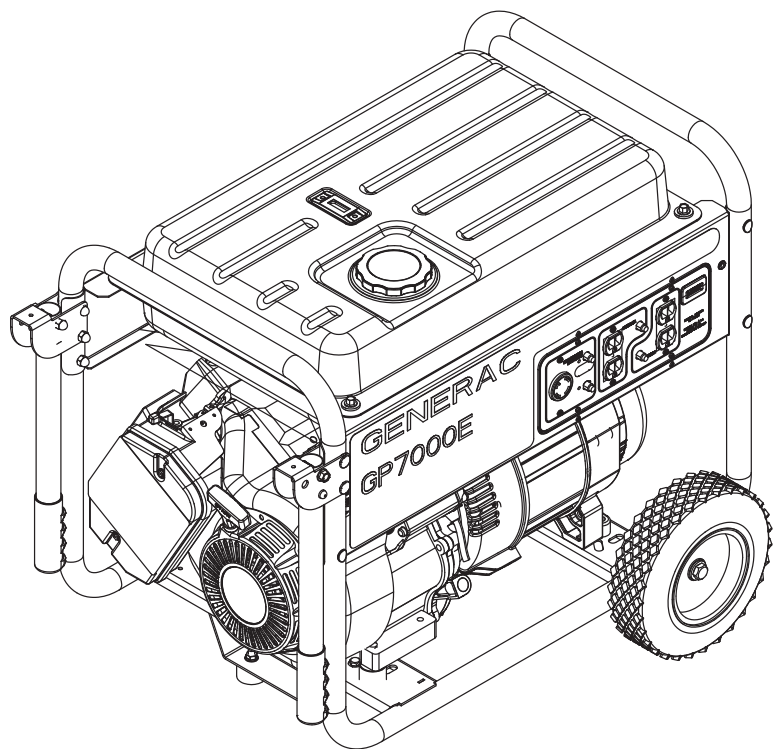
## Generador portátil de 7.000 y 8.000 vatios

COMERCIAL • INDUSTRIAL • RESIDENCIAL

MODELOS: 005625-0, 005626-0  
005680-0, 005681-0

## Manual del propietario

- SEGURIDAD
- ENSAMBLAJE
- FUNCIONAMIENTO
- SOLUCIÓN DE PROBLEMAS
- GARANTÍA



ASISTENCIA TÉCNICA DEL  
DISTRIBUIDOR AUTORIZADO:

[www.generac.com](http://www.generac.com)  
o  
1-888-436-3722

**GENERAC®**

**Introducción..... 21**  
**Lea este manual atentamente ..... 21**  
**Reglas de seguridad ..... 22**  
    Índice de estándares ..... 23

**Sección 1 – Información general ..... 24**

1.1 Cómo desempacar ..... 24  
    1.1.1 Caja de accesorios ..... 24

1.2 Ensamblaje ..... 24  
    1.2.1 Ensamblaje del kit de accesorios ..... 24  
    1.2.2 Conexión del arranque (Arranque eléctrico únicamente) ..... 24

**Sección 2 – Funcionamiento..... 25**

2.1 Conozca el generador ..... 25

2.2 Contador horario..... 26

2.3 Juegos de cables y enchufes de conexión..... 26  
    2.3.1 Tomacorriente dúplex de 120 VAC, 20 Amp ..... 26  
    2.3.2 Tomacorriente de 120/240 VAC, 30 Amp..... 26

2.4 Cómo utilizar el generador ..... 26  
    2.4.1 Conexión a tierra del generador ..... 26  
    2.4.2 Conexión de las cargas eléctricas ..... 27

2.5 No sobrecargue el generador..... 27

2.6 Guía de referencia del vataje ..... 27

2.7 Antes de arrancar el generador..... 28  
    2.7.1 Agregar aceite de motor ..... 28  
    2.7.2 Agregar gasolina..... 28

2.8 Cómo arrancar los motores por tracción ..... 29

2.9 Cómo arrancar los motores de arranque eléctrico..... 29

2.10 Cómo parar el motor ..... 30

2.11 Sistema de apagado por bajo nivel de aceite ..... 30  
    2.11.1 Sensor de bajo nivel de aceite ..... 30

2.12 Cómo recargar una batería (unidades de encendido eléctrico únicamente) ..... 30

**Sección 3 – Mantenimiento ..... 31**

3.1 Programación de mantenimiento..... 31

3.2 Especificaciones del producto ..... 31  
    3.2.1 Especificaciones del generador..... 31  
    3.2.2 Especificaciones del motor ..... 31

3.3 Recomendaciones generales ..... 31  
    3.3.1 Mantenimiento del generador ..... 31  
    3.3.2 Limpieza del generador ..... 31  
    3.3.3 Mantenimiento del motor ..... 31  
    3.3.4 Revisión del nivel de aceite ..... 32  
    3.3.5 Cambio de aceite..... 32  
    3.3.6 Cambio de la bujía..... 32  
    3.3.7 Reemplazo de la batería..... 32

3.4 Servicio del filtro de aire..... 32

3.5 Limpieza de la pantalla del parachispas ..... 33

3.6 Cómo ajustar la abertura de la válvula ..... 33

3.7 Almacenaje por períodos largos..... 34

3.8 Otros consejos útiles para el almacenaje ..... 34

**Sección 4 – Solución de problemas..... 35**

4.1 Guía para la solución de problemas..... 35

**Sección 5 – Garantía..... 36**

## INTRODUCCIÓN

Gracias por comprar este modelo de Generac Power Systems, Inc. Este modelo es un generador impulsado por motor, refrigerado por aire, compacto y de alto rendimiento diseñado para proporcionar energía eléctrica para operar cargas eléctricas donde no haya servicio público de electricidad o en reemplazo de la red eléctrica en caso de apagones.

## LEA ESTE MANUAL COMPLETAMENTE

Si alguna parte de este manual no se entiende bien, póngase en contacto con el concesionario autorizado más cercano para conocer los procedimientos de arranque, operación y servicio.

El operador es responsable del uso apropiado y seguro de este equipo. Recomendamos encarecidamente que el operador lea este manual y entienda completamente todas las instrucciones antes de usar este equipo. Asimismo recomendamos con igual firmeza el instruir a otros usuarios para arrancar y operar apropiadamente la unidad. Esto los prepara si necesitan operar el equipo en alguna emergencia.

El generador puede operar en forma segura, eficiente y confiable sólo si se le ubica, se le opera y mantiene en forma apropiada. Antes de operar o dar servicio al generador:

- Familiarícese y adhiérase estrictamente a todos los códigos y regulaciones locales, estatales y nacionales.
- Estudie todas las advertencias de seguridad en este manual y en el producto con mucho cuidado.
- Familiarícese con este manual y la unidad antes de usarla.

El fabricante no puede anticipar todas las posibles circunstancias que puedan involucrar peligros. Las advertencias en este manual y en las etiquetas y calcomanías fijadas en la unidad son, por tanto, no completamente inclusivas. Si se usa un procedimiento, método de trabajo o técnica de operación que el fabricante no recomienda específicamente, asegúrese de que sea seguro para los demás. Asimismo asegúrese que el procedimiento, método de trabajo o técnica de operación utilizada no vuelva inseguro al generador.

LA INFORMACIÓN CONTENIDA AQUÍ SE BASÓ EN MÁQUINAS EN PRODUCCIÓN AL MOMENTO DE LA PUBLICACIÓN. GENERAC SE RESERVA EL DERECHO DE MODIFICAR ESTE MANUAL EN CUALQUIER MOMENTO.

## REGLAS DE SEGURIDAD

A lo largo de esta publicación, y en lo que respecta a las etiquetas y calcomanías fijadas en el generador, los bloques de PELIGRO, ADVERTENCIA, CUIDADO Y NOTA se usan para alertar al personal sobre instrucciones especiales sobre una operación en particular que puede ser peligrosa si se ejecuta en forma incorrecta o sin cuidado. Obsérvelas con cuidado. Sus definiciones son como sigue:

### PELIGRO!

INDICA UNA SITUACIÓN O ACCIÓN PELIGROSA QUE, SI NO SE EVITA, TRAERÁ COMO RESULTADO LA MUERTE O UN DAÑO SERIO.

### ADVERTENCIA!

Indica una acción o situación peligrosa que, si no se evita, puede traer como resultado la muerte o un serio daño.

### ATENCIÓN!

Indica una acción o situación peligrosa que, si no se evita, puede traer como resultado un daño menor o moderado.

## NOTA:

**Las notas contienen información adicional importante para un procedimiento y se les encontrará dentro del cuerpo del texto regular de este manual.**

Estas advertencias de seguridad no pueden eliminar los peligros que indican. El sentido común y un estricto cumplimiento de las instrucciones especiales cuando se realiza un servicio son esenciales para evitar accidentes.

Cuatro símbolos de seguridad usados comúnmente acompañan los bloques de **PELIGRO**, **ADVERTENCIA** y **CUIDADO**. El tipo de información que cada uno indica es como sigue:



Este símbolo señala importante información de seguridad que, si no se sigue, puede poner en peligro la seguridad personal y/o las propiedades de otros.



Este símbolo indica un peligro potencial de explosión.



Este símbolo indica un peligro de incendio.



Este símbolo indica un peligro potencial de descarga eléctrica.

## PELIGROS GENERALES

- Nunca opere en áreas cerradas o interiores.
- Por razones de seguridad, el fabricante recomienda que el mantenimiento de este equipo sea llevado a cabo por un concesionario autorizado. Inspeccione el generador con regularidad, y póngase en contacto con el concesionario autorizado más cercano si necesita repararlo o conseguir repuestos.
- Opere el generador sólo en superficies planas y donde no esté expuesto a excesiva humedad, suciedad, polvo o vapores corrosivos.
- Mantenga las manos, pies, ropa, etc. lejos de las correas de tracción, ventiladores y otras partes móviles o calientes. Nunca retire ninguna protección de ventilador mientras la unidad esté operando.
- Algunas partes de este generador se calientan mucho durante la operación. Mantenga distancia del generador hasta que se haya enfriado para evitar quemaduras severas.
- NO opere el generador en la lluvia.
- No altere la construcción del generador ni cambie los controles de modo que puedan crear una condición de operación no segura.
- Nunca arranque o detenga la unidad con cargas eléctricas conectadas a las tomas Y con dispositivos conectados y encendidos. Arranque el motor y deje que se establezca antes de conectar las cargas eléctricas. Desconecte todas las cargas eléctricas antes de apagar el generador.
- No inserte objetos a través de las ranuras de enfriamiento de la unidad.
- Al trabajar con este equipo, manténgase alerta en todo momento. Nunca trabaje en el equipo cuando esté física o mentalmente fatigado.
- Nunca use el generador ni alguna de sus partes como escalón. Pararse sobre la unidad puede tensar y romper partes, y puede traer como resultado condiciones peligrosas de operación como escape de gases, combustible o aceite.
- En los modelos de arranque eléctrico, desconecte el cable de batería POSITIVO (+) del arrancador del motor O el cable de batería NEGATIVO (-) del terminal de la batería, lo que sea más fácil, antes de transportar el generador.



**! GUARDE ESTAS INSTRUCCIONES – El fabricante sugiere que estas reglas para la operación segura se copien y publiquen cerca del sitio de instalación de la unidad. Debe insistirse en la seguridad para todos los operadores y potenciales operadores de este equipo**

## PELIGROS DE ESCAPE & UBICACIÓN

### ! PELIGRO!

**! Nunca opere en áreas cerradas o interiores. NUNCA lo use en el hogar ni en áreas parcialmente encerradas como los garajes. Úselo SOLO en exteriores y lejos de ventanas abiertas, puertas, ductos de ventilación y en áreas que no acumularán el mortal gas del escape.**

! DANGER	! DANGER	! PELIGRO
Using a generator indoors CAN KILL YOU IN MINUTES. Generator exhaust contains carbon monoxide. This is a poison you cannot see or smell.	Utiliser un générateur à l'intérieur PEUT VOUS TUER EN QUELQUES MINUTES. Les gaz d'échappement du générateur contiennent du monoxyde de carbone. C'est un gaz toxique invisible et inodore.	Si usa un generador en interiores, MORIRÁ EN POCOS MINUTOS. El escape del generador contiene monóxido de carbono. Es un veneno que no tiene olor ni se puede ver.
NEVER use inside a home or garage, EVEN IF doors and windows are open. Only use OUTSIDE and far away from windows, doors, and vents. NE JAMAIS utiliser à l'intérieur d'une maison ou d'un garage, MÊME SI les portes et les fenêtres sont ouvertes. Utilisez UNIQUEMENT à l'EXTÉRIEUR et loin des fenêtres, portes et ventilations. NUNCA lo use dentro de una casa o garaje, AUN si las puertas y ventanas están abiertas. Sólo úselo EN EXTERIORES y lejos de ventanas, puertas y ductos de ventilación.		

- Los humos del escape del motor contienen monóxido de carbono. Este gas peligroso, si se aspira en concentraciones suficientes, puede hacerle perder la conciencia y causarle la muerte. Este sistema de escape debe tener un apropiado mantenimiento
- El flujo adecuado y sin obstrucciones de aire para ventilación y refrigeración es crítico para la correcta operación del generador. No altere la instalación ni permita que haya siquiera un bloqueo parcial de la provisión de ventilación, ya que esto puede afectar seriamente la operación segura del generador. El generador DEBE ser operado en exteriores.
- Este sistema de escape debe tener un apropiado mantenimiento. No haga nada que pueda poner en peligro la seguridad del escape o que no cumpla con algún código local o estándar.
- El fabricante recomienda instalar una alarma de monóxido de carbono operada con baterías en los interiores, de acuerdo a las instrucciones del fabricante.

## PELIGROS ELÉCTRICOS

- El generador produce un voltaje peligrosamente alto que puede causar descargas eléctricas extremadamente peligrosas. El generador produce voltajes peligrosamente altos al operar. Evite el contacto con cables pelados, terminales conexiones, etc. mientras la unidad está funcionando, inclusive en el equipo conectado al generador. Asegúrese que todas las cubiertas, protecciones y barreras apropiadas se encuentren en su lugar antes de operar el generador.
- No manipule ningún tipo de dispositivo eléctrico mientras esté de pie sobre agua, con los pies descalzos o con las manos o pies húmedos. **PUEDA HABER UNA DESCARGA ELÉCTRICA COMO RESULTADO.**

- El Código Eléctrico Nacional (NEC) quiere que el marco y las partes externas que son conductores eléctricos estén conectadas en forma apropiada a una conexión a tierra aprobada. Los códigos eléctricos locales pueden asimismo requerir una apropiada conexión a tierra del generador. Consulte con un electricista local los requerimientos de conexión a tierra para su área.
- Use un circuito interruptor de falla de tierra en cualquier área húmeda o altamente conductiva (como estanterías de metal o trabajos en acero).
- No use cables eléctricos gastados, pelados, deshilachados o de algún modo dañados con el generador.
- Antes de realizar cualquier mantenimiento al generador, desconecte los cables de batería de arranque del motor (si los hubiera) para evitar un arranque accidental. Desconecte primero el cable del borne de la batería indicado como NEGATIVO, NEG; o (-). Reconecte ese cable al final.
- En caso de un accidente causado por descarga eléctrica, apague inmediatamente la fuente de energía eléctrica. Si esto no es posible, intente liberar a la víctima del conductor vivo. **EVITE EL CONTACTO DIRECTO CON LA VÍCTIMA.** Use un implemento no conductivo, como una soga o una tabla, para liberar a la víctima del conductor vivo. Si la víctima está inconsciente, aplique los primeros auxilios y consiga ayuda médica inmediatamente.

## PELIGRO DE INCENDIO

- **La gasolina es altamente INFLAMABLE y sus vapores son EXPLOSIVOS. No permita que fumen, haga fuegos abiertos, chispas o calor en la vecindad mientras manipula gasolina.**
- **Nunca añada gasolina mientras la unidad está funcionando o está caliente. Deje enfriar al motor completamente antes de añadir combustible.**
- **Nunca llene el tanque de combustible en el interior de la casa.** Cumpla todas las leyes que regulan el almacenamiento y manipulación de gasolina.
- **No sobrecargue el tanque de combustible. Deje siempre espacio para la expansión del combustible.** Si el tanque está sobrecargado, el combustible puede desparramarse sobre el motor caliente y causar un INCENDIO o una EXPLOSIÓN. Nunca almacene el generador con combustible en el tanque donde los vapores de la gasolina pueden alcanzar llamas abiertas, chispas o fuegos piloto (como en una chimenea, calentador de agua o secador de ropa). Puede generarse un INCENDIO o una EXPLOSIÓN. Deje enfriar la unidad completamente antes de almacenarse.
- Limpie cualquier derrame de combustible inmediatamente. Asegúrese de que no se haya dejado materiales combustibles sobre o cerca del generador. Mantenga el área circundante del generador limpia y libre de residuos y conserve un espacio de cinco (5) pies a todos los lados para permitir una ventilación apropiada del generador.
- No opere el generador si los dispositivos eléctricos conectados se sobrecalientan, si la salida eléctrica se pierde, si el motor o el generador echan chispas o si se observa humo cuando la unidad está funcionando.
- Tenga un extinguidor cerca al generador en todo momento.





## ***ÍNDICE DE ESTÁNDARES***

En ausencia de los estándares, códigos, regulaciones o leyes pertinentes, la información publicada listada abajo puede usarse como guía para la operación de este equipo. Siempre consulte la revisión más reciente aplicable para el estándar listado.

1. NFPA No. 70, NFPA HANDBOOK OF NATIONAL ELECTRIC CODE.
2. Article X, NATIONAL BUILDING CODE, disponible en la American Insurance Association, 85 John Street, New York, N.Y. 10038.
3. AGRICULTURAL WIRING HANDBOOK, disponible en la Food and Energy Council, 909 University Avenue, Columbia, MO 65201.
4. ASAE EP-3634, INSTALLATION AND MAINTENANCE OF FARM STANDBY ELECTRICAL SYSTEMS, disponible en la American Society of Agricultural Engineers, 2950 Niles Road, St. Joseph, MI 49085.
5. NFPA No. 30, FLAMMABLE AND COMBUSTIBLE LIQUIDS CODE.

### **ADVERTENCIA DE LA PROPOSICIÓN 65 DE CALIFORNIA**

**El Estado de California sabe que el escape del motor y algunos de sus componentes causan cáncer, defectos de nacimiento y otros daños reproductivos.**

### **ADVERTENCIA DE LA PROPOSICIÓN 65 DE CALIFORNIA**

**Este producto contiene o emite químicos que el Estado de California sabe que causan cáncer, defectos de nacimiento u otros daños reproductivos.**

## 1.1 CÓMO DESEMPACAR

- Retire todos los materiales de embalaje.
- Retire la caja de accesorios que viene separada.
- Retire el generador de la caja.

### 1.1.1 CAJA DE ACCESORIOS

Revise todo el contenido. Si faltan partes o están dañadas, ubique un distribuidor autorizado llamando al 1-888-436-3722.

El contenido incluye:

- 1 - Manual del propietario
  - 1 - Ensamble de manija izquierda
  - 2 - Ruedas macizas
  - 1 - Ensamble de manija derecha
  - 1 - Soporte de la pata
  - 1 - Pata de la estructura
  - 1 - Cuarto de galón (0,9 l) de aceite SAE 30
  - 1 - Cargador con adaptador para 12 voltios\*
  - 1 - Bolsa de herrajes (contiene lo siguiente):
    - 2 - Patas de goma
    - 2 - Pernos de  $\frac{5}{16}$ "
    - 2 - Arandelas planas de  $\frac{5}{16}$ "
    - 2 - Pernos del eje de  $\frac{1}{2}$ "
    - 2 - Arandelas planas de  $\frac{1}{2}$ "
    - 4 - Pernos cabeza de hongo de  $\frac{5}{16}$ "
    - 4 - Tuercas de bloqueo,  $\frac{5}{16}$ " c/brida
    - 2 - Tuercas de bloqueo,  $\frac{1}{2}$ " c/brida
    - 2 - Tuercas de bloqueo con capuchón de  $\frac{5}{16}$ "
- \* Unidades de arranque eléctrico únicamente.

## 1.2 ENSAMBLAJE

El generador requiere cierto ensamblaje para poder utilizarlo. Si surgen problemas al ensamblar el generador, llame a la línea de ayuda del generador al 1-888-436-3722.

### 1.2.1 ENSAMBLAJE DEL KIT DE ACCESORIOS

Las ruedas están diseñadas dentro de la unidad para mejorar significativamente la capacidad de transporte del generador.

**NOTA:**

Las ruedas no están diseñadas para uso en carretera.

1. Refiérase a la Figura 1 e instale las ruedas como sigue:
  - Deslice el perno del eje de  $\frac{1}{2}$ " a través de la arandela plana de  $\frac{1}{2}$ ", la rueda y el soporte de la rueda en la estructura.
  - Instale las tuercas de bloqueo de  $\frac{1}{2}$ " con brida en el perno con brida de  $\frac{1}{2}$ ".
2. Refiérase a la Figura 1 e instale la pata de la estructura, el soporte de la pata y las patas de goma como se ilustra.
  - Deslice el vástago de la pata de goma a través del soporte de la pata y de la pata de la estructura; coloque tuercas de bloqueo de  $\frac{5}{16}$ " con brida, deslice el perno de  $\frac{5}{16}$ " a través de la arandela plana de  $\frac{5}{16}$ " y luego a través de los agujeros en el larguero de la estructura.
  - Deslice la pata de la estructura en los pernos de  $\frac{5}{16}$ "; coloque las tuercas de bloqueo de  $\frac{5}{16}$ " con brida.
3. Refiérase a la Figura 2 e instale las manijas como siguen.
  - Retire los pernos superiores de cabeza curva y las tuercas de capuchón (las tuercas de capuchón se reutilizarán).
  - Deslice el ensamble de manija sobre el tubo de la estructura, alineando los dos agujeros.
  - Introduzca los pernos cabeza de hongo de  $\frac{5}{16}$ "; coloque las tuercas de capuchón de  $\frac{5}{16}$ ".

Figura 1 – Ensamblaje de las ruedas

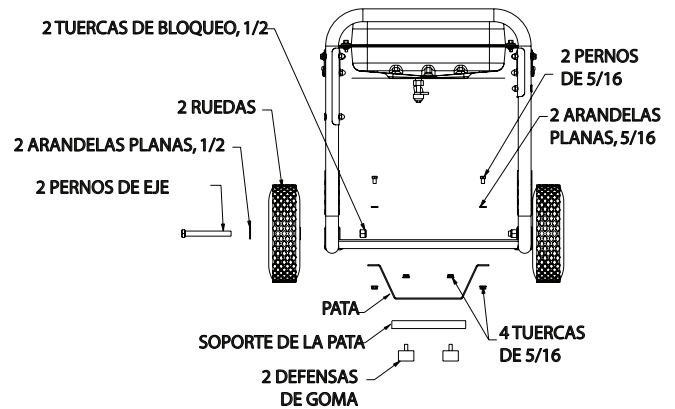
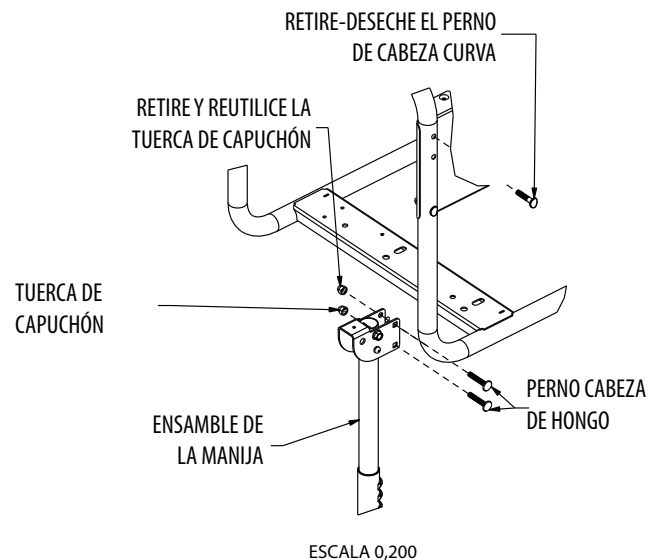


Figura 2 – Instalación del kit de manija



### 1.2.2 CONEXIÓN DEL ARRANQUE (ARRANQUE ELÉCTRICO ÚNICAMENTE)

La unidad ha sido deliberadamente enviada con el cable del arranque desconectado.

Para conectar el arranque:

1. Ubique el cable del arranque (posee una etiqueta colgante como se ilustra en la Figura 3).
2. Coloque la funda de vinilo en el cable del arranque.
3. Retire la tuerca y la arandela del vástago del arranque.
4. Coloque el cable del arranque en el vástago y vuelva a colocar la arandela y la tuerca.

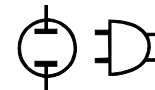
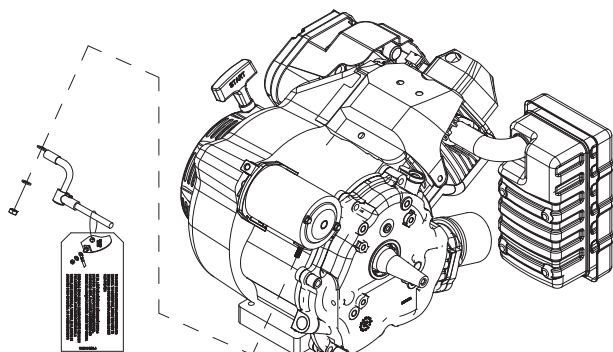


Figura 3 – Conexión del arranque



- 10. **Silenciador** – Contribuye a disminuir el ruido del motor.
  - 11. **Manijas** – Pivotan y se repliegan para almacenaje. Presione el botón de resorte para mover las manijas.
  - 12. **Tapa de gasolina** – Conducto para llenar combustible.
  - 13. **Medidor de gasolina** – Muestra el nivel de combustible del tanque.
  - 14. **Conducto para aceite** – Añada aceite aquí.
  - 15. **Arranque por retroceso** – Utilice para arrancar el motor manualmente.
  - 16. **Corte de combustible** – Válvula entre el tanque de combustible y el carburador.
  - 17. **Drenaje de aceite** – Utilice para vaciar el aceite del motor.
  - 18\*. **Toma para el cargador de baterías** – Este receptáculo le permite recargar la batería de 12 voltios DC que se proporciona con el cargador con adaptador para 12 voltios, el cual se suministra en la caja de accesorios. Detrás de la toma del cargador de batería se encuentra un fusible de 1,50 Amp en línea el cual está en el panel de control para proteger la batería.
  - 19\*. **Batería** – Alimenta el arranque eléctrico.
- \* Unidades de arranque eléctrico únicamente.

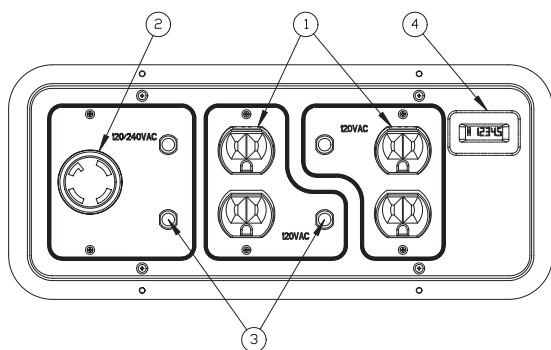
## 2.1 CONOZCA EL GENERADOR

Lea el manual del usuario y las reglas de seguridad antes de utilizar el generador.

Compare el generador con las figuras 4 a la 6 para familiarizarse con la ubicación de varios controles y ajustes. Guarde este manual para referencia futura.

- 1. **Tomacorriente dúplex de 120 voltios AC, 20 Amp** – Suministra energía eléctrica para el funcionamiento de la iluminación eléctrica, electrodomésticos, herramientas y cargas de motor de 120 voltios AC, 20 Amp, monofásica, 60 Hz.
- 2. **Tomacorriente de seguridad de 120/240 voltios AC, 30 Amp** – Suministra energía eléctrica para el funcionamiento de la iluminación eléctrica, electrodomésticos, herramientas y cargas de motor de 240 voltios AC, 30 Amp, monofásica, 60 Hz.
- 3. **Interruptores de circuito (AC)** – Cada tomacorriente tiene un interruptor de circuito que se presiona para reiniciar para proteger al generador contra sobrecarga eléctrica.

Figura 4 - Panel de control



- 4. **Contador horario** – Lleva la cuenta de las horas de funcionamiento.
- 5. **Filtro de aire** – Filtra la toma de aire según penetra al motor.
- 6. **Perilla reguladora de flujo** – Se utiliza para arrancar un motor frío.
- 7. **Tanque de combustible** – El tanque tiene una capacidad de 6,6 galones EE.UU. (25 l) de combustible.
- 8. **Terminal de conexión a tierra** – Conecte aquí el generador a una conexión a tierra aprobada. Refiérase a la sección “Conexión a tierra del generador” para más información.
- 9. **Interruptor para encendido/apagado** – Controla el funcionamiento del generador.

Figura 5 - Controles del generador

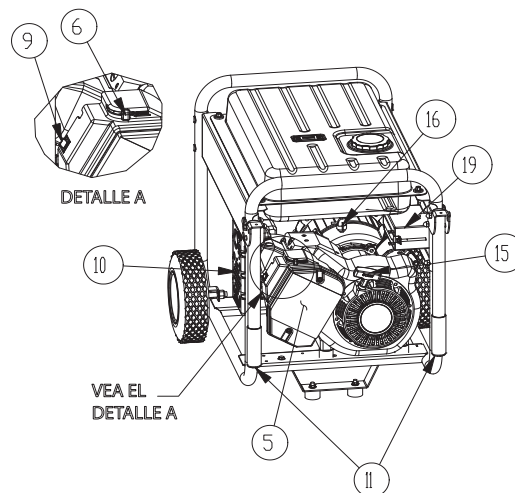
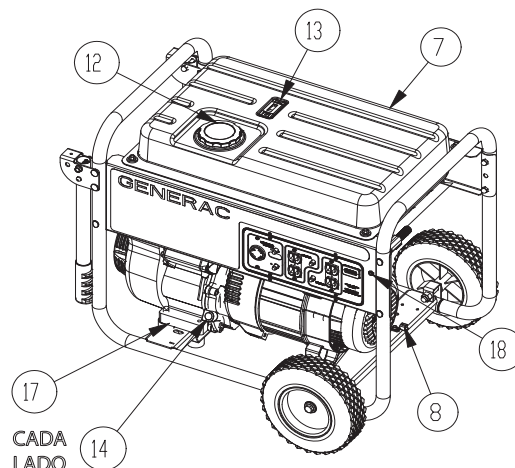
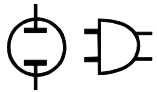


Figura 6 - Controles del generador





## 2.2 CONTADOR HORARIO

El contador horario lleva la cuenta de las horas de funcionamiento para la programación del mantenimiento.

Cada 100 horas aparecerá un mensaje "CHG OIL". El mensaje destellará una hora antes y una hora después de cada intervalo de 100 horas, de nuevo proporcionando un espacio de dos horas para efectuar el servicio.

Este mensaje comenzará a destellar realmente a las 99 horas y se desconectará automáticamente a las 101 horas permitiendo un espacio de dos horas para efectuar el servicio.

Cada 200 horas el icono "SVC" destellará en la esquina inferior izquierda de la pantalla. El mensaje destellará una hora antes y una hora después de cada intervalo de 200 horas, de nuevo proporcionando un espacio de dos horas para efectuar el servicio.

Cuando el contador horario esté en la modalidad de destello de alerta, el mensaje de mantenimiento siempre se alternará con el tiempo transcurrido en horas y décimas. Las horas destellarán cuatro veces, luego se alternan con el mensaje de mantenimiento cuatro veces hasta que el medidor se reinicia automáticamente.

- 100 horas - CHG OIL — Intervalo para cambio de aceite (Cada 100 h)
- 200 horas - SVC — Intervalo para el filtro de aire (Cada 200 h)

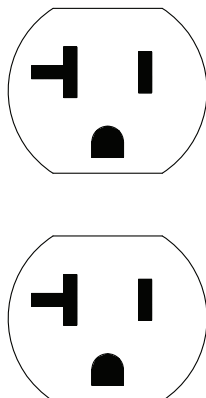
## 2.3 JUEGOS DE CABLES Y ENCHUFES DE CONEXIÓN

### 2.3.1 TOMACORRIENTE DÚPLEX DE 120 VAC, 20 AMP

Este es un tomacorriente de 120 voltios protegido contra sobrecarga por un interruptor de circuito de 20 Amp que se presiona para reiniciar (Figura 7). Utilice cada conector para alimentar cargas de 120 voltios AC, monofásicas, de 60 Hz que requieran una corriente combinada de 2400 vatios (2,4 kW) o 20 amperios. Utilice sólo juegos de cables de alta calidad, bien aislados, de 3 hilos con conexión a tierra clasificados para 125 voltios a 20 amperios (o más).

Mantenga los cables de extensión tan cortos como sea posible, preferiblemente de menos de 15 pies (4,6 m) de largo para evitar las caídas de voltaje y el posible sobrecalentamiento de los cables.

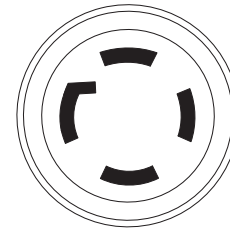
Figura 7 - Tomacorriente dúplex de 120 voltios AC, 20 amp



### 2.3.2 TOMACORRIENTE DE 120/240 VAC, 30 AMP

Utilice un conector NEMA L14-30 con su tomacorriente (rote para bloquear/desbloquear). Conecte al enchufe un juego de cables adecuado de 4 conductores con conexión a tierra y a la carga deseada. El juego de cables debe estar clasificado para 250 voltios AC a 30 amperios (o más) (Figure 8).

Figura 8 - Tomacorriente de 120/240 VAC, 30 Amp



120V/240V  
30A

Utilice este tomacorriente para cargas de 120 voltios AC, 60 Hz monofásicas que requieran hasta 3600 vatios (3,6 kW) de energía a 30 Amps o 240 voltios AC, 60 Hz, monofásicas que requieran hasta 7200 vatios (7,2 kW) de energía a 30 Amp. El tomacorriente está protegido por dos interruptores de circuito de 30 Amp del tipo "presione para reiniciar".

## 2.4 CÓMO UTILIZAR EL GENERADOR

Si surgen problemas al utilizar el generador, llame a la línea de ayuda del generador al 1-888-436-3722.

▲ DANGER	▲ DANGER	▲ PELIGRO
Using a generator indoors CAN KILL YOU IN MINUTES. Generator exhaust contains carbon monoxide. This is a poison you cannot see or smell.	Utiliser un générateur à l'intérieur PEUT VOUS TUER EN QUELQUES MINUTES. Les gaz d'échappement du générateur contiennent du monoxyde de carbone. C'est un gaz toxique invisible et inodore.	Si usa un generador en interiores, MORIRÁ EN POCOS MINUTOS. El escape del generador contiene monóxido de carbono. Es un veneno que no tiene olor ni se puede ver.
NEVER use inside a home or garage, EVEN IF doors and windows are open. Only use OUTSIDE and far away from windows, doors, and vents. NE JAMAIS utiliser à l'intérieur d'une maison ou d'un garage, MÊME SI les portes et les fenêtres sont ouvertes. Utiliser UNIQUEMENT à l'EXTÉRIEUR et loin des fenêtres, portes et ventilations. NUNCA lo use dentro de una casa o garaje, AUN SI las puertas y ventanas están abiertas. Sólo úselo EN EXTERIORES y lejos de ventanas, puertas y ductos de ventilación.		

### 2.4.1 CONEXIÓN A TIERRA DEL GENERADOR

La Normativa de electricidad nacional requiere que la estructura del generador y las partes externas que conducen electricidad se conecten adecuadamente a un dispositivo de tierra que esté aprobado (Figura 9). Las normativas de electricidad locales también podrían requerir la conexión a tierra del generador. Para ese fin, conecte un cable de cobre trenzado AWG (American Wire Gauge) N° 10 al terminal de conexión a tierra y a una varilla de conexión a tierra de cobre o latón (electrodo) brinda adecuada protección contra descargas eléctricas. No obstante, la normativa local puede variar ampliamente. Consulte con un electricista local sobre los requerimientos de conexión a tierra en el área.

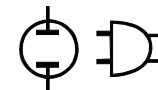
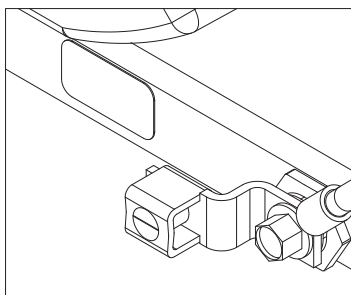


Figura 9 - Conexión a tierra del generador



La adecuada conexión a tierra del generador contribuirá a evitar descargas eléctricas en caso de que haya una falla a tierra en el generador o en los dispositivos eléctricos conectados. La conexión a tierra adecuada también ayuda a disipar la electricidad estática que a menudo se acumula en los dispositivos no conectados a tierra.

### 2.4.2 CONEXIÓN DE LAS CARGAS ELÉCTRICAS

**NO** conecte cargas de 240 voltios a los tomacorrientes de 120 voltios. **NO** conecte cargas trifásicas al generador. **NO** conecte cargas de 50 Hz al generador.

- Permita que el motor se estabilice y se caliente durante unos minutos después de arrancar.
- Enchufe y active las cargas monofásicas eléctricas que desee de 120 ó 240 voltios AC, 60 Hz.
- Sume la potencia nominal (o amperios) de todas las cargas que se van a conectar al mismo tiempo. Este total no debe exceder de (a) la capacidad nominal del vataje/amperaje del generador (b) la capacidad nominal del interruptor de circuito del tomacorriente que suministra la electricidad. Refiérase a “No sobrecargue el generador”.

## 2.5 NO SOBRECARGUE EL GENERADOR

Sobrecargar un generador excediendo su potencia nominal puede ocasionar daño al generador y a los dispositivos eléctricos conectados. Observe lo siguiente para evitar sobrecargar la unidad:

- Sume la totalidad de los vatios de todos los dispositivos eléctricos que va a conectar al mismo tiempo. Este total **NO** debe ser mayor que la capacidad de potencia nominal del generador.
  - La potencia nominal de las luces puede encontrarse en las bombillas. La potencia nominal de las herramientas, electrodomésticos y motores generalmente puede encontrarse en una etiqueta de información o en una calcomanía fijada al dispositivo.
  - Si el electrodoméstico, herramienta o motor no especifica el vataje, multiplique los voltios por los amperios para determinar los vatios (voltios x amperios = vatios).
  - Algunos motores eléctricos, tales como los del tipo de inducción, requieren cerca de tres veces más vatios de potencia para arrancar que para funcionar. Este incremento súbito de electricidad dura sólo unos segundos cuando arranca tales motores. Cerciórese de tomar en cuenta este alto vataje de arranque cuando elija los dispositivos eléctricos que va a conectar al generador:
1. Calcule los vatios necesarios para arrancar el motor de mayor tamaño.
  2. Sume a ese número los vatios en consumo de todas las otras cargas conectadas.

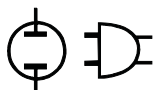
La Guía de referencia de vataje le ayuda a determinar cuántos artículos/equipos pueden funcionar con el generador al mismo tiempo.

**NotA:**

Todas las cifras son aproximadas. Refiérase a la etiqueta de información en el electrodoméstico para los requerimientos de vataje.

## 2.6 GUÍA DE REFERENCIA DEL VATAJE

Dispositivo	Vatios en consumo
*Abridor de puerta de garaje	500 a 750
*Aire acondicionado (12.000 Btu)	1700
*Aire acondicionado (24.000 Btu)	3800
*Aire acondicionado (40.000 Btu)	6000
*Bomba colectora	800 a 1050
*Bomba eyectora	800
*Bomba sumergible (1/2 HP)	1500
*Bomba sumergible (1 HP)	2000
*Bomba sumergible (1-1/2 HP)	2800
Bombilla	100
Bordeadora	500
Cafetera	1750
Calentador de área alimentado con aceite (30.000 Btu)	150
Calentador de área alimentado con aceite (85.000 Btu)	225
Calentador de área alimentado con aceite (140.000 Btu)	400
Cargador de baterías (20 Amp)	500
*Compresor (1/2 HP)	1400
*Compresor (3/4 HP)	1800
*Compresor (1 HP)	2000
*Congelador	700
*Deshumidificador	650
*Enfriador de leche	1100
Estufa eléctrica (por resistencia)	1500
Horno microondas	700 a 1000
*Lavadora de ropa	1150
Lijadora de banda (3 pulgadas [7,6 cm])	1000
Lijadora de banda (9 pulgadas [22,9 cm])	1200
Llave de impacto	500
Manta eléctrica	400
Motosierra	1200
Olla de cocción lenta	200
Pistola eléctrica para clavos	1200
Plancha	1200
Podadora de césped	1200
Podadora de malezas	500
Podadora de setos	450
Quemador de aceite del sistema de calefacción	300
Radio	50 a 200
*Refrigerador	700
Rizadora	700
*Rociador de pintura, sin aire (1/3 HP)	600
Rociador de pintura, sin aire (de mano)	150
Sartén eléctrico	1250
Secador de pelo	1200
*Secadora de ropa (a gas)	700
*Secadora de ropa (eléctrica)	5750
Sierra circular (6-1/2 pulgadas [16,5 cm])	800 a 1000



\*Sierra de mesa (10 pulgadas [25,4 cm]) . . . . . 1750 a 2000  
 Taladro de mano . . . . . 250 a 1100  
 Televisor . . . . . 200 a 500  
 Tostadora. . . . . 1000 a 1650  
 \*Ventilador de sistema de calefacción (3/5 HP) . . . . . 875  
 \* Suministre 3 veces los vatios indicados para arrancar estos aparatos.

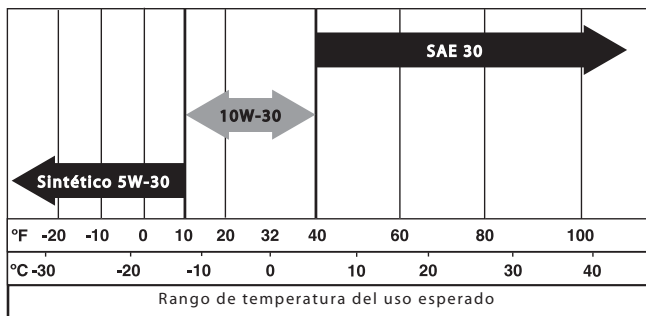
## 2.7 ANTES DE ARRANCAR EL GENERADOR

Antes de utilizar el generador, debe añadir aceite y gasolina al motor, como sigue:

### 2.7.1 AGREGAR ACEITE DE MOTOR

Todos los aceites de motor deben cumplir con las normas del Instituto Americano del Petróleo (API) Clase de Servicio SJ, SL o mejor. No utilice aditivos especiales. Elija el grado de viscosidad del aceite de acuerdo con la temperatura de funcionamiento que anticipe (refiérase a la tabla).

- Sobre 40°F (4°C), utilice SAE 30
- Por debajo de 40°F (4°C) y hasta 10° F (-12°C), utilice 10W-30
- Por debajo de 10°F (-12°C), utilice sintético 5W-30

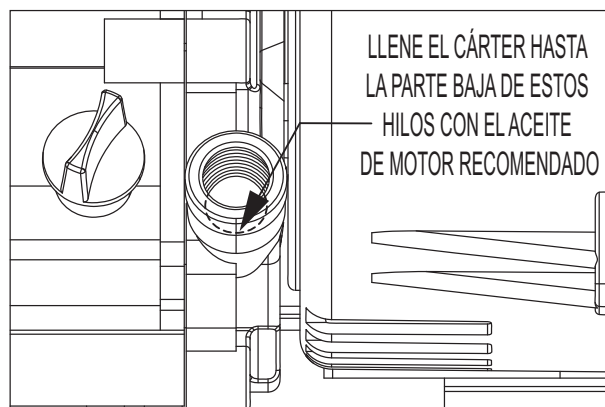


### PRECAUCIÓN

**⚠ Cualquier intento de arrancar el motor antes de que se le haya dado el servicio adecuado con el aceite recomendado puede ocasionar una falla del motor.**

- Coloque el generador en una superficie nivelada.
- Limpie el área alrededor de la toma de aceite y retire la tapa.
- Llène lentamente el motor con aceite hasta que alcance los hilos de la abertura de llenado de aceite (ver figura 10). Deje de llenar ocasionalmente para revisar el nivel de aceite.
- Coloque la tapa del conducto para aceite y apriétela de forma segura con la mano.
- De allí en adelante revise cada vez el nivel de aceite del motor antes de comenzar.

Figura 10 – Nivel de aceite



### 2.7.2 AGREGAR GASOLINA

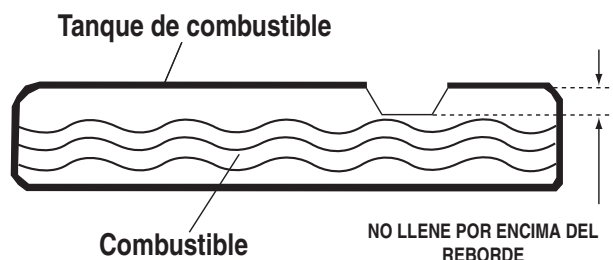
### PELIGRO

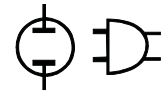
- ⚠ **Nunca llene el tanque de combustible en interiores. Evite derramar gasolina sobre un motor caliente. Deje que el motor se enfríe completamente antes de añadir combustible. Nunca llene el tanque de combustible cuando el motor esté trabajando o esté caliente. NO encienda un cigarrillo ni fume cuando esté llenando el tanque de combustible. La gasolina es altamente inflamable y sus vapores son explosivos.**
- ⚠ **No sobrecargue el tanque de combustible. Deje siempre espacio para la expansión del combustible. Si el tanque está muy lleno, el combustible puede caer sobre el motor caliente y causar un incendio o explosión. Limpie cualquier derrame de combustible inmediatamente.**

Utilice gasolina regular SIN PLOMO con el motor del generador. No utilice gasolina Premium. No mezcle aceite con gasolina.

- Limpie el área alrededor del conducto para gasolina, retire la tapa.
- Añada lentamente la gasolina sin plomo al tanque de combustible. Llène hasta la parte inferior del filtro de malla. **Cuide de no llenar excesivamente** (Figura 11).
- Coloque la tapa del combustible y limpie si se ha derramado gasolina.

Figura 11 - Tanque de combustible

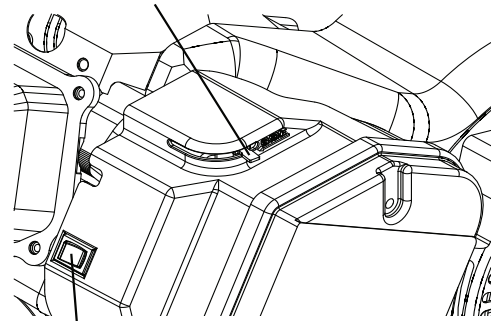




**IMPORTANTE:** Es importante evitar los depósitos de resinas en las partes del sistema de combustible tales como el carburador, la manguera de combustible o el tanque durante el almacenaje. Los combustibles con mezcla de alcohol (llamados gasohol, etanol o metanol) pueden atraer humedad, lo cual conduce a la separación y formación de ácidos durante el almacenaje. El gas ácido puede dañar el sistema de combustible de un motor mientras está en almacenaje. Para evitar problemas con el motor, el sistema de combustible debe vaciarse antes de almacenar el equipo durante 30 días o más. Refiérase a la sección “Almacenaje”. Nunca utilice productos de limpieza del motor o del carburador en el tanque de la gasolina ya que podría ocurrir daño permanente.

Figura 13 - Posición de regulación de flujo

**Reguladora de flujo**



**IMPORTANTE:** No sobrecargue el generador. Tampoco sobrecargue los tomacorrientes individuales del panel. Estos tomacorrientes están protegidos contra sobrecarga con interruptores de circuito del tipo “presione para reiniciar”. Si se excede la potencia nominal de cualquier interruptor de circuito, ese interruptor se abre y ese tomacorriente ya no tiene salida. Lea atentamente “No sobrecargue el generador”.

**2.8 CÓMO ARRANCAR LOS MOTORES POR TRACCIÓN**



**Nunca arranque ni pare un motor con dispositivos eléctricos enchufados a los tomacorrientes Y los dispositivos encendidos.**

- Desenchufe todas las cargas eléctricas de los tomacorrientes de la unidad antes de arrancar el motor.
- Cerciórese de que la unidad esté en posición nivelada.
- ABRA la válvula de corte del combustible (Figuras 12 y 14).
- Gire el interruptor RUN/STOP (arranque/parada) del motor a la posición ON (encendido) (Figura 13).
- Hale la perilla CHOKE (regulación de flujo) hacia afuera hasta la posición FULL CHOKE (Figura 13).
- Para arrancar el motor, agarre firmemente la manija de retroceso y hale lentamente hasta que sienta que aumenta la resistencia. Hale hacia arriba y hacia afuera rápidamente.
- Cuando el motor arranque, mueva la perilla reguladora de flujo a la posición 1/2 CHOKE hasta que el motor trabaje suavemente y luego totalmente a la posición RUN. Si el motor falla, mueva la perilla reguladora de flujo nuevamente a la posición 1/2 CHOKE hasta que el motor trabaje suavemente y luego totalmente a la posición RUN.

**2.9 CÓMO ARRANCAR LOS MOTORES DE ARRANQUE ELÉCTRICO**

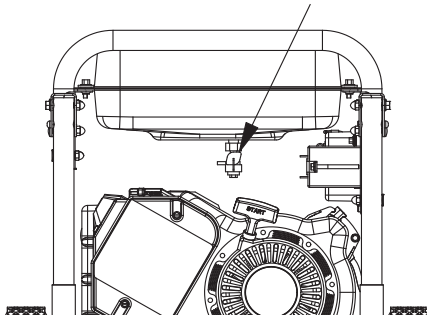


**Nunca arranque ni pare un motor con dispositivos eléctricos enchufados a los tomacorrientes Y los dispositivos encendidos.**

- Desenchufe todas las cargas eléctricas de los tomacorrientes de la unidad antes de arrancar el motor.
- Cerciórese de que la unidad esté en posición nivelada.
- Abra la válvula de corte del combustible (Figuras 12 y 14).
- Mueva la perilla CHOKE (reguladora de flujo) hacia afuera hasta la posición “Full choke” (Figura 15).

Figura 12 - Válvula de corte del combustible

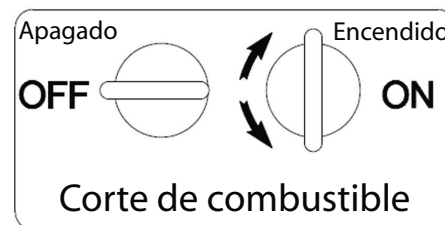
CORTE DE COMBUSTIBLE



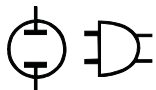
NOTA:

Si el motor echa a andar pero no continúa andando, mueva la palanca reguladora de flujo a la posición FULL CHOKE y repita las instrucciones de arranque.

Figura 14 - Válvula de corte del combustible



- Para arrancar el motor, presione y sostenga el interruptor Start/Run/ Stop (arranque/marcha/parada) en la posición “Start”. El motor hará el intento de arrancar. Cuando el motor arranque, libere el interruptor en la posición “Run”. Cuando el motor arranque, mueva la perilla reguladora de flujo a la posición “1/2 CHOKE” hasta que el motor trabaje suavemente y luego totalmente a la posición “Run”.
- Si el motor falla, mueva la perilla reguladora de flujo nuevamente a la posición “1/2 Choke” hasta que el motor trabaje suavemente y luego a la posición “Run”.



- Este generador también está equipado con un arranque de retroceso manual que puede utilizarse si la batería está descargada.

**NOTA:**

**El interruptor deberá estar en la posición RUN.**

- Para arrancar manualmente, agarre firmemente la manija de retroceso y hale lentamente hasta que sienta que aumenta la resistencia. Hale rápidamente hacia arriba y hacia afuera para arrancar el motor. Luego siga la misma secuencia que con la perilla reguladora de flujo.

**NOTA:**

Si el motor echa a andar pero no continúa andando, mueva la palanca reguladora de flujo a la posición “Full Choke” y repita las instrucciones de arranque.

*Figura 15 - Posición de regulación de flujo*



**IMPORTANTE:** No sobrecargue el generador. Tampoco sobrecargue los tomacorrientes individuales del panel. Estos tomacorrientes están protegidos contra sobrecarga con interruptores de circuito del tipo “presione para reiniciar”. Si se excede la potencia nominal de cualquier interruptor de circuito, ese interruptor se abre y ese tomacorriente ya no tiene salida. Lea atentamente “No sobrecargue el generador”.

## 2.10 CÓMO PARAR EL MOTOR

- Desconecte todas las cargas, luego desenchufe las cargas eléctricas de los tomacorrientes del panel del generador. Nunca arranque ni pare un motor con dispositivos eléctricos enchufados a los tomacorrientes ni encendidos.
- Deje que el motor trabaje sin carga durante algunos minutos para estabilizar las temperaturas internas del motor y del generador.
- Cambie el interruptor Run/Stop a la posición OFF.
- Cierre la válvula de corte del combustible.

## 2.11 SISTEMA DE APAGADO POR BAJO NIVEL DE ACEITE

El motor viene equipado con un sensor que detecta cuando el nivel de aceite está bajo y apaga automáticamente el motor cuando el nivel de aceite se encuentra por debajo de un nivel específico. Si el motor se apaga automáticamente y el tanque de combustible tiene suficiente gasolina, revise el nivel de aceite del motor.

### 2.11.1 SENSOR DE BAJO NIVEL DE ACEITE

Si el sistema detecta un nivel de aceite bajo durante el funcionamiento, el motor se apaga. El motor no trabajará hasta que se haya llenado el aceite al nivel adecuado.

## 2.12 CÓMO RECARGAR UNA BATERÍA (UNIDADES DE ENCENDIDO ELÉCTRICO ÚNICAMENTE)



- Las baterías de acumuladores liberan gases de hidrógeno explosivos mientras se están recargando. La mezcla explosiva permanecerá alrededor de la batería por largo tiempo después de que se haya cargado. Hasta la menor chispa puede encender el gas y provocar una explosión. Dicha explosión puede destrozarse la batería y provocar ceguera u otras lesiones graves.



- No permita fumadores, llamas expuestas, chispas ni cualquier otra fuente de calor cerca de una batería. Utilice gafas protectoras, delantal de goma y guantes de goma cuando trabaje cerca de una batería. El fluido electrolítico de la batería es una solución de ácido sulfúrico extremadamente corrosiva que puede provocar quemaduras severas. Si ocurre un derrame enjuague el área con agua limpia inmediatamente.

**NOTA:**

La batería enviada con el generador ha sido cargada totalmente. Una batería puede perder algo de su carga cuando no se le usa por periodos prolongados de tiempo. Si la batería no puede arrancar el motor, conecte el cargador de 12 voltios incluido en la caja de accesorios (ver sección “Carga de la batería”). **EL FUNCIONAMIENTO DEL GENERADOR NO CARGA LA BATERÍA.**

Utilice el enchufe del cargador de la batería para mantenerla cargada y lista para usar. La recarga de la batería debe efectuarse en un sitio seco.

- Conecte el cargador a la “Toma del cargador de batería”, ubicada en el panel de control. Enchufe el extremo del receptáculo para pared del cargador de batería en un tomacorriente de pared de 120 voltios AC (Figura 15).
- Desenchufe el cargador de batería del tomacorriente de pared y de la toma del panel cuando vaya a utilizar el generador.

*Figura 15 – Toma del cargador de baterías*

## TOMA DEL CARGADOR



## DE LA BATERÍA





**NOTA:**

No utilice el cargador de baterías durante más de 48 horas de una vez.

### 3.1 PROGRAMACIÓN DE MANTENIMIENTO

Siga los intervalos del calendario. Se requiere servicio más frecuente cuando el equipo funcione en condiciones adversas como las mencionadas a continuación.

Revise el nivel de aceite	Cada vez que lo utilice
Cambie el aceite ‡	*Cada 100 horas o cada estación
Revise la abertura de la válvula	***Cada estación
Preste servicio al filtro de aire	** Cada 200 horas o cada estación
Cambie las bujías	Cada estación

- ‡ Cambie el aceite después de las primeras 30 horas de funcionamiento y luego cada estación.
- \* Cambie el aceite y el filtro cada mes cuando utilice el equipo bajo cargas fuertes o en temperaturas altas.
- \*\* Limpie más a menudo si el equipo trabaja en condiciones de suciedad o polvo. Reemplace las piezas del filtro de aire si no pueden limpiarse adecuadamente.
- \*\*\* Revise la abertura de la válvula y ajuste si fuese necesario después de las primeras 50 horas de funcionamiento y cada 100 después.

### 3.2 ESPECIFICACIONES DEL PRODUCTO

#### 3.2.1 ESPECIFICACIONES DEL GENERADOR

Potencia nominal .....	7,0/8,0 kW**
Elevación de potencia al arranque .....	8,7/12,0 kW
Voltaje nominal AC .....	120/240
Carga nominal Máx AC	
Corriente a 240V (7,0/8,0 kW) .....	25 Amp/30 Amp**
Corriente a 120V .....	20 Amp**
Frecuencia nominal .....	60 Hz a 3600 RPM
Fase .....	Monofásica

\*\* El vataje máximo y la corriente están sujetos y limitados por factores tales como el contenido de Btu del combustible, la temperatura ambiente, la altitud, las condiciones del motor, etc. La potencia máxima disminuye aproximadamente un 3,5% por cada 1.000 pies (305 m) sobre el nivel del mar; y también disminuirá aproximadamente 1% por cada 6°C (10°F) sobre 16°C (60°F) de temperatura ambiente.

#### 3.2.2 ESPECIFICACIONES DEL MOTOR

Potencia nominal en caballos de fuerza a 3600 RPM .....	14,5
Desplazamiento .....	410 cm <sup>3</sup>
Tipo de bujía .....	Champion RC14YC o equivalente
Entrehierro de la bujía (5,0/6,5 kW) .....	0,030" o (0,76 mm)
Capacidad de gasolina .....	8 galones EE.UU. (31,1 l)
Tipo de aceite ... Refiérase a la tabla en "Antes de arrancar el generador"	
Capacidad de aceite .....	con cambio del filtro = 1,5 cuartos de galón
	sin cambio del filtro = 1,2 cuartos de galón
Tiempo de uso/Consumo de combustible-1/2 carga 10 Horas/	0,80 gal/h
Emisión certificada Clase II	

### 3.3 RECOMENDACIONES GENERALES

La garantía del generador no ampara artículos que hayan estado sujetos a abuso o negligencia por parte del operador. Para recibir el amparo total de la garantía, el operador deberá mantener el generador como se ha indicado en este manual.

Deberán efectuarse algunos ajustes periódicamente para brindar mantenimiento adecuado al generador.

Todos los ajustes en la sección de Mantenimiento de este manual deberán efectuarse al menos una vez en cada estación. Observe las indicaciones en la "Programación de mantenimiento".

**NOTA:**

**Cambie una vez al año la bujía y el filtro de aire. Una nueva bujía y un filtro de aire limpio aseguran la adecuada mezcla de combustible-aire y ayudan al motor a trabajar mejor y durar más tiempo.**

#### 3.3.1 MANTENIMIENTO DEL GENERADOR

El mantenimiento del generador consiste en mantener la unidad limpia y seca. Utilice y guarde la unidad en un ambiente limpio y seco donde no esté expuesta al polvo excesivo, suciedad, humedad o a vapores corrosivos. Las ranuras para ventilación que posee el generador no deben obstruirse con nieve, hojas o con cualquier otro material.

Revise el estado del generador frecuentemente y limpie cuando haya polvo, suciedad, aceite, humedad u otras sustancias visibles en la superficie exterior.



**⚠ Nunca inserte objetos o herramientas a través de las ranuras para ventilación, incluso aunque el motor no esté trabajando.**

**NOTA:**

**NO utilice una manguera de jardín para limpiar el generador. Es posible que el agua pueda penetrar en el sistema de combustible y causar problemas. Adicionalmente, si el agua penetra en el generador por las ranuras de ventilación, puede quedar retenida en las espiras y grietas del aislamiento del embobinado del rotor y del inductor. La acumulación de agua y suciedad en el embobinado interno del generador disminuirá la resistencia del aislamiento de estos embobinados.**

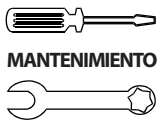
#### 3.3.2 LIMPIEZA DEL GENERADOR

- Utilice un paño húmedo para limpiar las superficies externas.
- Puede utilizar una brocha de cerdas suaves para aflojar el sucio o aceite incrustado, etc.
- Puede utilizar una aspiradora para recoger el sucio y los desechos sueltos.
- Puede utilizar aire de baja presión (que no exceda de 25 psi) para retirar el sucio. Inspeccione las ranuras y aberturas de ventilación del generador que deberán mantenerse limpias y sin obstrucciones.

#### 3.3.3 MANTENIMIENTO DEL MOTOR



**⚠ Cuando se trabaja en el generador, siempre se debe desconectar el cable negativo de la batería. También desconecte el cable de la bujía y manténgalo lejos de esta.**



### 3.3.4 REVISIÓN DEL NIVEL DE ACEITE

Refiérase a la sección “Antes de arrancar el generador” para información sobre la revisión del nivel de aceite. Deberá revisar el nivel de aceite antes de cada uso, o al menos cada ocho horas de funcionamiento. Conserve el nivel de aceite adecuado.

### 3.3.5 CAMBIO DE ACEITE

Cambie el aceite luego de las primeras 30 horas de operación. Cambie el aceite cada 100 horas o cada cambio de estación luego de ello. Si está haciendo funcionar la unidad en condiciones de polvo o suciedad, o en clima extremadamente cálido, cambie el aceite con más frecuencia.



**El aceite caliente puede causar quemaduras. Deje que el motor se enfríe antes de drenarlo. Evite la exposición prolongada o repetida con el aceite usado. Lave meticulosamente las áreas expuestas con jabón.**

Esto facilitará drenar el aceite. Siga las siguientes instrucciones para cambiar el aceite mientras el motor se encuentre aún tibio:

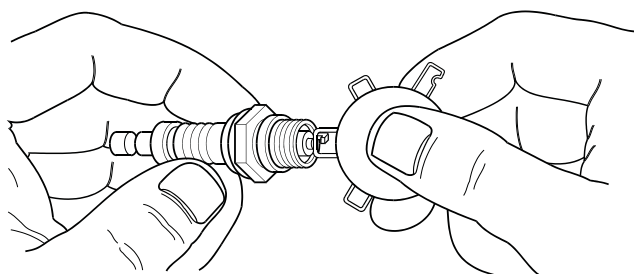
- Limpie el área alrededor del tapón de drenaje de aceite.
- Retire el tapón del motor para drenaje de aceite del motor y el tapón del conducto para aceite a fin de drenarlo completamente en un envase adecuado.
- Cuando haya vaciado completamente el aceite, coloque el tapón de drenaje de aceite y apriételo de forma segura.
- Llene el colector de aceite con el aceite recomendado. (Refiérase a “Antes de arrancar el generador” para las recomendaciones sobre el aceite).
- Limpie cualquier resto de aceite que se haya derramado.
- Deseche el aceite usado en un centro de recolección adecuado.

### 3.3.6 CAMBIO DE LA BUJÍA

Utilice la bujía Champion RC14YC o su equivalente. Cambie la bujía una vez al año. Esto le ayudará a que el motor arranque más fácilmente y trabaje mejor.

1. Apague el motor y hale el cable de la bujía para retirarlo de la bujía.
2. Limpie el área alrededor de la bujía y retirela del cabezal del cilindro.
3. Coloque el entrehierro de la bujía en 0,70-0,80 mm (0,028-0,031 pulgadas). Coloque la bujía con la abertura correcta al cabezal del cilindro (Figura 17).

Figura 17 - Entrehierro de la bujía



### 3.3.7 REEMPLAZO DE LA BATERÍA

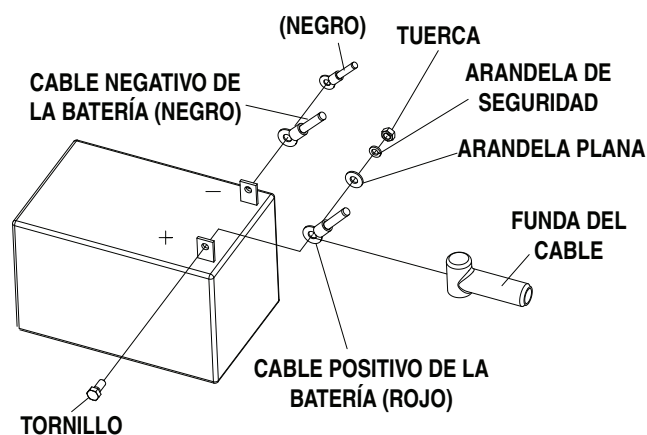
NOTA:

La batería incluida en el generador ha sido cargada completamente. Una batería puede perder algo de su carga cuando no se le usa por tiempo prolongado. Si la batería es incapaz de arrancar el motor, conecte el cargador de 12 voltios incluido en la caja de accesorios (ver la sección Cargando una batería). **EL HACER FUNCIONAR EL GENERADOR NO CARGA LA BATERÍA.**



- El terminal NEGATIVO de la batería debe:**
1. DESCONECTARSE PRIMERO siempre.
  2. CONECTARSE DE ÚLTIMO siempre.

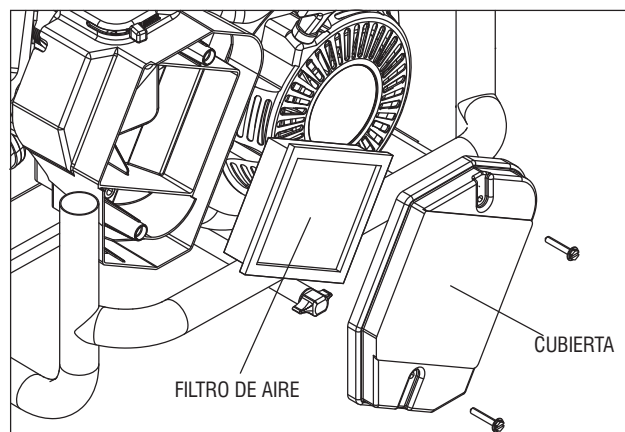
Figura 18 – Conexiones de la batería



### 3.4 SERVICIO DEL FILTRO DE AIRE

El motor no trabajará adecuadamente y puede dañarse si se utiliza un limpiador de aire que esté sucio. Limpie o cambie el filtro de aire de papel una vez al año (Figura 19). Limpie o cambie más a menudo su trabaja en ambiente polvoriento.

Figura 19 - Limpiador de aire





#### Para limpiar o cambiar el filtro de aire de papel:

- Retire la cubierta del limpiador de aire y quite el filtro de papel.
- Limpie el filtro de papel golpeándolo suavemente sobre una superficie sólida. Si el filtro está demasiado sucio, cámbielo por uno nuevo. Deseche el filtro adecuadamente.
- Limpie la cubierta del limpiador de aire, luego inserte un nuevo filtro de papel en la base del limpiador de aire. Reinstale la cubierta del limpiador de aire.

**NOTA:**

Para pedir un nuevo filtro de aire, contacte el centro de servicio autorizado más cercano al 1-800-333-1322.

### 3.5 LIMPIEZA DE LA PANTALLA DEL PARACHISPAS

El silenciador del sistema de escape del motor posee una pantalla del parachispas. Inspeccione y limpie la pantalla al menos una vez al año (Figura 20). Si utiliza la unidad regularmente, inspeccione y limpie más a menudo.

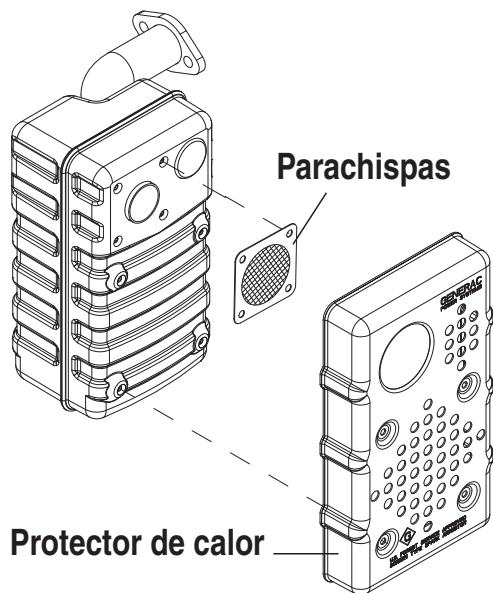
**NOTA:**

Si utiliza el generador en un terreno baldío, boscoso, cubierto con maleza, o hierba, deberá estar equipado con un parachispas. El propietario/operador deberá conservar el parachispas en buenas condiciones.

#### Limpie e inspeccione el parachispas como sigue:

- Retire el protector de calor del silenciador, retirando cuatro tornillos.
- Retire el parachispas del silenciador, retirando cuatro tornillos.
- Inspeccione la pantalla y cámbiela si está rota, perforada o dañada de alguna otra forma. NO UTILICE una pantalla defectuosa. Si la pantalla no está dañada, límpiela con un solvente comercial.
- Cambie el parachispas y el protector de calor del sistema de escape.

**Figura 20 - Parachispas**



### 3.6 CÓMO AJUSTAR LA ABERTURA DE LA VÁLVULA

Después de las primeras 50 horas de funcionamiento, revise la abertura de la válvula en el motor y ajuste si fuese necesario.

**Importante:** Si no se siente preparado para ejecutar este procedimiento o si no tiene las herramientas adecuadas para hacerlo, lleve el generador al centro de servicio más cercano para ajustar la abertura de la válvula. Este es un paso muy importante para prolongar la vida del motor.

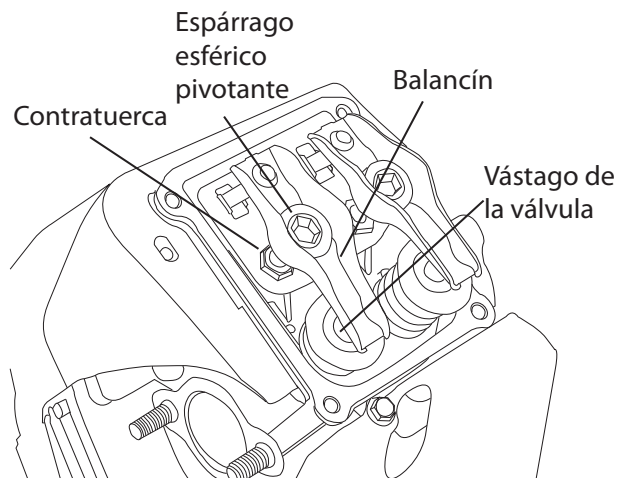
#### Para revisar la abertura de la válvula:

- Cerciórese de que el motor esté a temperatura ambiente (60°-80° F [16° - 27° C]).
- Cerciórese de que el cable de la bujía se haya retirado de la bujía y no interfiera. Retire la bujía.
- Retire los cuatro tornillos que fijan la cubierta de la válvula.
- Cerciórese de que el pistón esté en el punto muerto superior (PMS) de su recorrido de compresión (ambas válvulas cerradas). Para llevar el pistón al PMS, retire la pantalla de toma al frente del motor para obtener acceso a la tuerca de volante. Utilice un dado grande y una llave de tubo para rotar la tuerca y por consiguiente el motor en el sentido horario mientras observa el pistón a través del agujero de la bujía. El pistón debe moverse hacia arriba y hacia abajo. El pistón está en PMS cuando está hacia arriba tanto como pueda recorrer.
- Inserte una lámina calibradora de 0,002-0,004" (0,05-0,1mm) entre el balancín y el vástago de la válvula. La abertura correcta es cuando se siente una ligera dificultad cuando desliza el calibrador hacia atrás y hacia adelante. Si la abertura es excesivamente grande o estrecha, los balancines necesitarán ajuste.

#### Para revisar la abertura de la válvula:

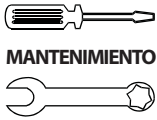
- Afloje la contratuerca del balancín (Figura 21). Utilice una llave Allen de 10 mm para girar el espárrago esférico pivotante mientras revisa la abertura entre el balancín y el vástago de la válvula con una lámina calibradora. La abertura correcta es 0,002-0,004 pulgadas (0,05-0,1 mm).

**Figura 21 – Ajuste de la abertura de la válvula**



**NOTA:**

La contratuerca del balancín debe mantenerse en su lugar cuando se gira el espárrago esférico pivotante.



## Sección 3 — Mantenimiento

### Sistema de generador portátil

Cuando la abertura de la válvula sea la correcta, sostenga el espárrago esférico pivotante en su lugar con la llave Allen y apriete la contratuerca del balancín. Apriete la contratuerca a un par de torsión de 174 pulgadas/libras. Después de apretar la contratuerca, vuelva a revisar la abertura de la válvula para cerciorarse de que no cambió.

- Coloque la nueva empaquetadura de cubierta de la válvula.
- Vuelva a colocar la cubierta de la válvula.

#### NOTA:

**Inserte los cuatro tornillos antes de apretar o no será posible colocar todos los cuatro tornillos en su lugar. Cerciórese de que la empaquetadura de cubierta de la válvula esté en su lugar. Cambie la bujía.**

- Vuelva a colocar el cable de la bujía en la bujía.

## 3.7 ALMACENAJE POR PERÍODOS LARGOS

Es importante evitar los depósitos de resinas en las partes del sistema de combustible tales como el carburador, la manguera de combustible o el tanque durante el almacenaje. La experiencia también indica que los combustibles con mezcla de alcohol (llamados gasohol, etanol o metanol) pueden atraer humedad, lo cual conduce a la separación y formación de ácidos durante el almacenaje. El gas ácido puede dañar el sistema de combustible de un motor mientras está en almacenaje.

Para evitar problemas con el motor, el sistema de combustible debe vaciarse antes de almacenar el equipo durante 30 días o más, como sigue:

- Retire toda la gasolina del tanque de combustible.



**▲ Vacíe el combustible en exteriores, en envases aprobados, alejado de llamas expuestas. Cerciórese de que el motor esté frío. No fume.**

- Arranque y mantenga el motor trabajando hasta que pare por falta de combustible.
- Deje enfriar el motor, luego drene el aceite del cárter. Rellene con el grado recomendado.
- Retire la bujía y llene alrededor de 1/2 onza (15 ml) de aceite de motor en el cilindro. Cubra el agujero de la bujía con un trapo. Tire del arrancador de recule un par de veces para lubricar los anillos del pistón y el recorrido del cilindro.



**▲ Evite la pulverización del agujero de la bujía en el arranque.**

- Instale y ajuste la bujía. No conecte el cable de bujía.
- Limpie las otras superficies del generador. Revise que las aberturas y ranuras de aire de ventilación en el generador estén abiertas y sin obstrucciones.
- Guarde la unidad en un lugar limpio y seco.

## 3.8 OTROS CONSEJOS ÚTILES PARA EL ALMACENAJE

- No guarde gasolina de una estación a otra.
- Cambie el envase de la gasolina si comienza a oxidarse. El óxido y/o el sucio en la gasolina ocasionarán problemas con el sistema del carburador y de combustible.
- Si fuese posible, guarde la unidad en interiores y cúbrala para protegerla del polvo y del sucio. **VACÍE EL TANQUE DE COMBUSTIBLE.**
- Si no es práctico vaciar el tanque de combustible y la unidad debe almacenarse durante algún tiempo, utilice un estabilizador de combustible disponible en el mercado y añádale a la gasolina para prolongar la vida de la gasolina.
- Cubra la unidad con una cubierta protectora adecuada que no retenga humedad.



**▲ NUNCA cubra el generador mientras el motor y el área de escape estén tibios.**



## 4.1 GUÍA PARA LA SOLUCIÓN DE PROBLEMAS

PROBLEMA	CAUSA	CORRECCIÓN
El motor está trabajando pero no hay salida de AC.	<ol style="list-style-type: none"> <li>1. El interruptor de circuito está abierto.</li> <li>2. Conexión deficiente o juego de cables defectuoso.</li> <li>3. El dispositivo conectado está dañado.</li> <li>4. Falla en el generador.</li> </ol>	<ol style="list-style-type: none"> <li>1. Reinicie el interruptor de circuito.</li> <li>2. Revise y repare.</li> <li>3. Conecte otro dispositivo que esté en buenas condiciones.</li> <li>4. Contacte el centro de servicio autorizado.</li> </ol>
El motor trabaja bien pero se atasca cuando se le conectan cargas.	<ol style="list-style-type: none"> <li>1. Cortocircuito en una carga conectada.</li> <li>2. El generador está sobrecargado.</li> <li>3. La velocidad del motor es demasiado baja.</li> <li>4. Cortocircuito en el generador.</li> </ol>	<ol style="list-style-type: none"> <li>1. Desconecte la carga eléctrica en cortocircuito.</li> <li>2. Refiérase a "No sobrecargue el generador".</li> <li>3. Contacte el centro de servicio autorizado.</li> <li>4. Contacte el centro de servicio autorizado.</li> </ol>
El motor no arranca, o arranca y trabaja con dificultad.	<ol style="list-style-type: none"> <li>1. La válvula de cierre del combustible está en OFF.</li> <li>2. El filtro de aire está sucio.</li> <li>3. No tiene gasolina.</li> <li>4. Gasolina en malas condiciones.</li> <li>5. El cable de la bujía no está conectado a la bujía.</li> <li>6. Bujía deteriorada.</li> <li>7. Agua en la gasolina.</li> <li>8. Ahogo excesivo.</li> <li>9. Bajo nivel de aceite.</li> <li>10. Mezcla de combustible excesivamente enriquecida.</li> <li>11. Válvula de entrada atascada abierta o cerrada</li> <li>12. El motor perdió compresión.</li> </ol>	<ol style="list-style-type: none"> <li>1. Gire la válvula del combustible a ON.</li> <li>2. Limpie o cambie el filtro de aire.</li> <li>3. Llene el tanque de combustible.</li> <li>4. Vacíe el tanque de combustible y llene con combustible nuevo.</li> <li>5. Conecte el cable a la bujía.</li> <li>6. Cambie la bujía.</li> <li>7. Vacíe el tanque de combustible y llene con combustible nuevo.</li> <li>8. Coloque la perilla reguladora de flujo en la posición <b>No Choke</b>.</li> <li>9. Llene el cárter al nivel adecuado.</li> <li>10. Contacte el centro de servicio autorizado.</li> <li>11. Contacte el centro de servicio autorizado.</li> <li>12. Contacte el centro de servicio autorizado.</li> </ol>
El motor se apaga mientras está trabajando.	<ol style="list-style-type: none"> <li>1. No tiene gasolina.</li> <li>2. Bajo nivel de aceite.</li> <li>3. Falla en el generador.</li> </ol>	<ol style="list-style-type: none"> <li>1. Llene el tanque de combustible.</li> <li>2. Llene el cárter al nivel adecuado.</li> <li>3. Contacte el centro de servicio autorizado.</li> </ol>
El motor no tiene potencia.	<ol style="list-style-type: none"> <li>1. La carga es demasiado grande.</li> <li>2. El filtro de aire está sucio.</li> <li>3. El motor necesita servicio.</li> </ol>	<ol style="list-style-type: none"> <li>1. Disminuya la carga (Refiérase a "No sobrecargue el generador").</li> <li>2. Limpie o cambie el filtro de aire.</li> <li>3. Contacte el centro de servicio autorizado.</li> </ol>
El motor "se acelera" o falla.	<ol style="list-style-type: none"> <li>1. La perilla reguladora de flujo se abre demasiado rápido.</li> <li>2. El carburador trabaja con mezcla demasiado rica o demasiado pobre.</li> </ol>	<ol style="list-style-type: none"> <li>1. Mueva la perilla reguladora de flujo a la mitad de la posición hasta que el motor trabaje suavemente.</li> <li>2. Contacte el centro de servicio autorizado.</li> </ol>



## GARANTÍA LIMITADA DE “DOS AÑOS” DE GENERAL POWERS SYSTEMS PARA LOS GENERADORES PORTÁTILES DE LA SERIE GP

Durante el período de dos años a partir de la fecha original de venta, Generac Power Systems, Inc. (Generac) garantiza que sus generadores de la serie GP no poseen defectos de materiales ni de mano de obra por los elementos y período establecidos en este documento. Generac, a su discreción, reparará o reemplazará cualquier parte que, luego de ser sometida a examen, inspección y prueba por parte de Generac o de un distribuidor de servicio autorizado en garantía de Generac, se encuentre defectuosa. Cualquier equipo que el comprador/propietario considere defectuoso deberá devolverlo para que sea examinado por el distribuidor de servicio autorizado en garantía de Generac. Todos los costos de transporte bajo esta garantía, incluyendo el de devolución a la fábrica deben ser costeados y prepagados por el comprador/propietario. Esta garantía aplica únicamente a los generadores portátiles de la serie GP de Generac y no es transferible con respecto al comprador original. Guarde su recibo de prueba de compra. Si no proporciona prueba de la fecha de compra inicial, la fecha de envío del fabricante del producto se utilizará para determinar el período de garantía.

### PROGRAMACIÓN DE LA GARANTÍA

Las aplicaciones de los consumidores están garantizadas por dos (2) años. Las aplicaciones comerciales o de alquiler están garantizadas por un (1) año o un máximo de 1.000 horas, lo que ocurra primero.

#### APLICACIÓN DEL CONSUMIDOR

PRIMER y SEGUNDO AÑO – 100% (cien por ciento) cobertura en mano de obra y pieza(s) indicada(s) (se requiere prueba de compra y de mantenimiento):

- Motor – Todos los componentes
- Alternador – Todos los componentes

#### APLICACIÓN COMERCIAL/ALQUILER

DURANTE UN AÑO – 100% (cien por ciento) cobertura en mano de obra y pieza(s) indicada(s) (se requiere prueba de compra y de mantenimiento):

- Motor – Todos los componentes
- Alternador – Todos los componentes

**NOTA:** A los fines de esta garantía “uso del consumidor” significa el uso personal residencial doméstico o de recreación por parte del comprador original. Esta garantía no aplica a unidades que se utilicen como fuente primaria de energía en lugar de los servicios públicos donde estos estén presentes o donde el servicio público no exista normalmente. Una vez que el generador haya estado sujeto a uso comercial o de alquiler, se considerará en lo sucesivo como un generador de uso no personal para los fines de esta garantía.

Todos los gastos relacionados con la garantía están sujetos a las condiciones definidas en las Políticas y Procedimientos de Garantía y el Manual de Flete Plano de Generac.

### ESTA GARANTÍA NO APLICA A LO SIGUIENTE:

- Generadores portátiles fabricados por Generac antes de mayo 2008.
- Costos de mantenimiento y ajustes normales.
- Fallas causadas por combustibles, aceites contaminados, o la falta de niveles adecuados de aceite.
- Reparaciones o diagnósticos efectuados por personas distintas de los distribuidores autorizados Guardian/Generac que no estén autorizados por escrito por parte de Generac Power Systems.
- Fallas debidas al desgaste por uso normal, accidente, uso inadecuado, abuso, negligencia o utilización inadecuada, pero sin limitarse a ellos. Como con todos los dispositivos mecánicos, los motores de Generac necesitan servicio y reemplazo periódico de piezas para funcionar en la forma para la cual fueron diseñados. Esta garantía no ampara la reparación cuando el uso normal haya agotado la vida de una(s) pieza(s) o del motor.
- Las fallas ocasionadas por causas externas o causas naturales, tales como choque, robo, vandalismo, motín o guerras, holocausto nuclear, fuego, congelación, rayos, terremotos, tormentas de viento, granizo, erupción volcánica, agua o inundación, tornados o huracanes.
- Daños relacionados con roedores o infestación de insectos.
- Productos que hayan sido modificados o alterados de forma no autorizada por Generac por escrito.
- Cualesquiera daños accidentales, resultantes o indirectos ocasionados por defectos en materiales o mano de obra o cualquier demora en la reparación o reemplazo de la(s) parte(s) defectuosa(s).
- Fallas ocasionadas por la aplicación indebida.
- Gastos de teléfono, teléfono celular, fax, acceso a Internet u otros gastos relacionados con las comunicaciones.
- Gastos de viaje o viáticos de la(s) persona(s) que efectúe(n) servicio, excepto como se incluya específicamente dentro de los términos de un período de garantía específico para una unidad.
- Gastos relacionados con la “instrucción al cliente” o solución de problemas donde no se encuentre defecto de fabricación.
- Equipos en alquiler utilizados mientras se efectúen las reparaciones en garantía.
- Flete al día siguiente o costos especiales de envío para la(s) pieza(s) de repuesto.
- Mano de obra con horas extras, en días festivos o de emergencia.
- Arranque de baterías, fusibles, bombillas y fluidos del motor.

ESTA GARANTÍA REEMPLAZA CUALESQUIERA OTRAS GARANTÍAS EXPRESAS O IMPLÍCITAS. ESPECÍFICAMENTE GENERAC NO OTORGA OTRAS GARANTÍAS RELACIONADAS CON EL APROVECHAMIENTO O IDONEIDAD PARA UN FIN PARTICULAR. Algunos estados no permiten limitaciones sobre el tiempo de duración de una garantía, de modo que las limitaciones anteriores puede que no apliquen en su caso. LA ÚNICA RESPONSABILIDAD DE GENERAC SERÁ LA REPARACIÓN O REEMPLAZO DE LA(S) PIEZA(S) DE ACUERDO A LO ESTABLECIDO ANTERIORMENTE. EN NINGÚN CASO GENERAC SERÁ RESPONSABLE DE DAÑOS ACCIDENTALES O RESULTANTES, INCLUSO SI TALES DAÑOS SEAN EL RESULTADO DIRECTO DE LA NEGLIGENCIA DE GENERAC. Algunos estados no permiten la exclusión o limitación de los daños accidentales o resultantes, de modo que la limitación anterior puede que no aplique en su caso. Esta garantía le otorga derechos legales específicos. También puede tener otros derechos que varían de un estado a otro.

**GENERAC POWER SYSTEMS, INC.**

**P.O. BOX 8 • Waukesha, WI 53187**

**Telef. (888) GENERAC (436-3722) • Fax: (262) 544-4851**

**Para ubicar el distribuidor autorizado más cercano visite nuestro sitio en Internet [www.generac.com](http://www.generac.com)**

# Série GP

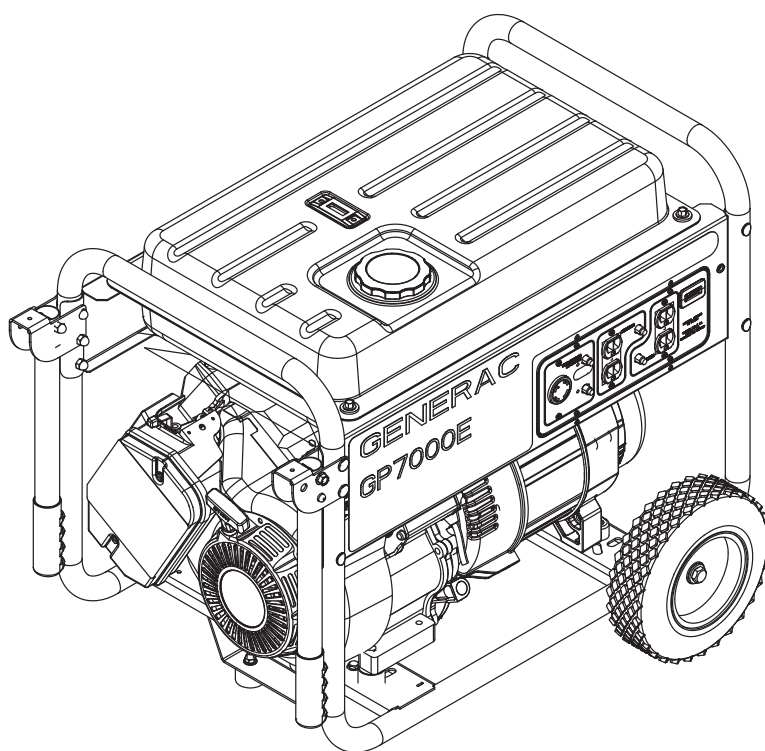
**7 000 et 8 000 watts**  
**Générateur portable**

## Manuel d'entretien

COMMERCIAL • INDUSTRIEL • RÉSIDENTIEL

MODÈLES : 005625-0, 005626-0  
005680-0, 005681-0

- SÉCURITÉ
- MONTAGE
- FONCTIONNEMENT
- DÉPANNAGE
- GARANTIE



GARANTIE  
LIMITÉE DE  
**2 ANS**

SUPPORT DÉPOSITAIRE AGRÉÉ :

[www.generac.com](http://www.generac.com)  
OU  
1-888-436-3722

**GENERAC®**

<b>Introduction.....</b>	<b>39</b>	<b>Section 3 – Maintenance .....</b>	<b>49</b>
<b>Lire attentivement ce manuel .....</b>	<b>39</b>	3.1 Programme de maintenance.....	49
<b>Règles de sécurité .....</b>	<b>39</b>	3.2 Caractéristiques techniques des produits.....	49
Index des normes.....	41	3.2.1 Caractéristiques techniques du générateur .....	49
<b>Section 1 – Informations générales.....</b>	<b>42</b>	3.2.2 Caractéristiques techniques du moteur.....	49
1.1 Déballage.....	42	3.3 Recommandations générales.....	49
1.1.1 Boîte d'accessoires.....	42	3.3.1 Maintenance du générateur .....	49
1.2 Montage.....	42	3.3.2 Nettoyage du générateur .....	49
1.2.1 Montage du kit d'accessoires.....	42	3.3.3 Maintenance du moteur .....	49
1.2.2 Branchement du démarreur (démarrage électrique uniquement).....	42	3.3.4 Vérification du niveau d'huile.....	50
<b>Section 2 – Fonctionnement .....</b>	<b>43</b>	3.3.5 Changement de l'huile.....	50
2.1 Bien connaître le générateur .....	43	3.3.6 Remplacement des bougies d'allumage.....	50
2.2 Horomètre.....	44	3.3.7 Remplacement de la batterie .....	50
2.3 Cordons et connecteurs .....	44	3.4 Entretien du filtre à air .....	50
2.3.1 Prise double, 120 V c.a., 20 A .....	44	3.5 Nettoyage de l'écran pare-étincelles.....	51
2.3.2 Prise 120/240 V c.a., 30 A .....	44	3.6 Réglage du jeu des soupapes.....	51
2.4 Utilisation du générateur.....	44	3.7 Stockage à long terme .....	52
2.4.1 Mise à la terre du générateur.....	44	3.8 Autres conseils de stockage.....	52
2.4.2 Branchement des charges électriques .....	45	<b>Section 4 – Dépannage.....</b>	<b>53</b>
2.5 Ne pas surcharger le générateur .....	45	4.1 Guide de dépannage.....	53
2.6 Guide de référence de wattage .....	45	<b>Section 5 – Garantie .....</b>	<b>Couverture verso</b>
2.7 Avant le démarrage du générateur .....	46		
2.7.1 Ajout de l'huile de moteur.....	46		
2.7.2 Ajout de l'essence.....	46		
2.8 Démarrage des moteurs à démarrage manuel.....	47		
2.9 Démarrage des moteurs à démarrage électrique .....	47		
2.10 Arrêt du moteur.....	48		
2.11 Système d'arrêt de bas niveau d'huile .....	48		
2.11.1 Détection de bas niveau d'huile .....	48		
2.12 Chargement de la batterie (Unités à démarrage électrique uniquement) .....	48		



## INTRODUCTION

Nous vous remercions d'avoir acheté ce modèle fabriqué par Generac Power Systems, Inc. Ce modèle est un générateur entraîné par moteur compact, à haute performance, refroidi à l'air, conçu pour fournir l'alimentation électrique afin de faire fonctionner les charges électriques lorsqu'aucun réseau électrique n'est disponible ou à la place du réseau en raison d'une coupure de courant.

## LIRE ATTENTIVEMENT CE MANUEL

En cas d'incompréhension d'une partie de ce manuel, contacter le dépositaire agréé le plus proche pour connaître les procédures de démarrage, de fonctionnement et d'entretien.

L'opérateur est responsable de l'utilisation correcte et sûre de l'équipement. Nous recommandons fortement à l'opérateur de lire ce manuel et de comprendre complètement toutes les instructions avant d'utiliser l'équipement. Nous recommandons également fortement d'apprendre à d'autres utilisateurs comment correctement démarrer et faire fonctionner l'unité. Cela les prépare au cas où ils auraient besoin de faire fonctionner l'équipement pour une urgence.

Le générateur peut fonctionner en toute sécurité, de façon efficace et de façon fiable uniquement s'il est correctement installé, utilisé et entretenu. Avant de faire fonctionner ou d'effectuer l'entretien du générateur :

- Se familiariser avec et respecter strictement tous les codes et réglementations locaux, d'État et nationaux.
- Lire attentivement tous les avertissements de sécurité figurant dans ce manuel et sur le produit.
- Se familiariser avec ce manuel et l'unité avant de l'utiliser.

Le fabricant ne peut pas anticiper toutes les situations possibles qui peuvent impliquer un danger. Les avertissements de ce manuel et figurant sur les étiquettes et les autocollants apposés sur l'unité ne sont, toutefois, pas exhaustifs. Si vous suivez une procédure, une méthode de travail ou une technique de fonctionnement que le fabricant ne recommande pas en particulier, assurez-vous qu'elle est sans danger pour les autres. S'assurer que la procédure, la méthode de travail ou la technique de fonctionnement choisie ne rende pas le générateur dangereux.

LES INFORMATIONS CONTENUES DANS LE PRÉSENT MANUEL SE BASENT SUR LES MACHINES EN PRODUCTION AU MOMENT DE LA PUBLICATION. GENERAC SE RÉSERVE LE DROIT DE MODIFIER CE MANUEL À TOUT MOMENT.

## RÈGLES DE SÉCURITÉ

Dans tout ce manuel, et sur les étiquettes et sur les autocollants apposés sur le générateur, les blocs DANGER, AVERTISSEMENT, ATTENTION et REMARQUE servent à alerter le personnel d'instructions spéciales au sujet d'une opération spécifique qui peut s'avérer dangereuse si elle n'est pas effectuée correctement ou avec précaution. Les respecter attentivement. Leurs définitions sont les suivantes :

### **▲ DANGER!**

**INDIQUE UNE SITUATION OU UNE ACTION DANGEREUSE QUI, SI ELLE N'EST PAS ÉVITÉE, ENTRAÎNERA LA MORT OU DES BLESSURES GRAVES.**

### **▲ AVERTISSEMENT!**

**Indique une situation ou une action dangereuse qui, si elle n'est pas évitée, entraînera la mort ou des blessures graves.**

### **▲ ATTENTION!**

**Indique une situation ou une action dangereuse qui, si elle n'est pas évitée, entraînera des blessures légères ou modérées.**

## REMARQUE :

**Les remarques contiennent des informations supplémentaires importantes relatives à une procédure et se trouvent dans le corps de texte régulier de ce manuel.**

Ces avertissements de sécurité ne peuvent pas éliminer les dangers qu'ils signalent. Le sens commun et le respect strict des instructions spéciales lors de l'entretien sont essentiels pour éviter les accidents.

Quatre symboles de sécurité couramment utilisés accompagnent les blocs **DANGER, AVERTISSEMENT** et **ATTENTION**. Chacun indique le type d'informations suivant :



**Ce symbole indique des informations importantes relatives à la sécurité qui, si elles ne sont pas suivies, pourraient mettre en danger la sécurité personnelle et/ou les biens des autres.**



**Ce symbole indique un risque potentiel d'explosion.**



**Ce symbole indique un risque potentiel d'incendie.**



**Ce symbole indique un risque potentiel d'électrocution.**

## **DANGERS GÉNÉRAUX**

- Ne jamais faire fonctionner dans un espace clos ou à l'intérieur.
- Pour des raisons de sécurité, le fabricant recommande que la maintenance de cet équipement soit effectuée par un dépositaire agréé. Inspecter régulièrement le générateur et contacter le dépositaire agréé le plus proche pour les pièces qui nécessitent une réparation ou un remplacement.
- Faire fonctionner le générateur uniquement sur des surfaces de niveau et où il ne sera pas exposé à l'humidité, aux saletés, à la poussière ou aux vapeurs corrosives excessives.
- Tenir les mains, les pieds, les vêtements, etc., à distance des courroies de transmission, des ventilateurs et d'autres pièces mobiles ou chaudes. Ne jamais retirer tout protège-ventilateur pendant que l'unité fonctionne.
- Certaines pièces du générateur deviennent extrêmement chaudes pendant le fonctionnement. Rester à distance du générateur tant qu'il n'a pas refroidi afin d'éviter des brûlures graves.
- NE PAS faire fonctionner le générateur sous la pluie.
- Ne pas modifier la construction du générateur ni les commandes, ce qui pourrait créer une condition de fonctionnement dangereuse.
- Ne jamais démarrer ou arrêter l'unité avec les charges électriques branchées aux prises ET avec des dispositifs branchés sous tension. Démarrer le moteur et le laisser se stabiliser avant de brancher les charges électriques. Débrancher toutes les charges électriques avant d'arrêter le générateur.
- Ne pas insérer d'objet dans les fentes de refroidissement de l'unité.
- Lors du travail sur cet équipement, conserver l'alerte à tout moment. Ne jamais travailler sur l'équipement en cas de fatigue physique ou mentale.
- Ne jamais utiliser le générateur ou n'importe laquelle de ses pièces comme marche. Monter sur l'unité peut écraser et casser les pièces, et peut entraîner des conditions de fonctionnement dangereuses suite à une fuite de gaz d'échappement, une fuite de carburant, une fuite d'huile, etc.
- Sur les modèles à démarrage électrique, débrancher le câble de batterie POSITIF (+) du démarreur du moteur OU le câble de batterie NÉGATIF (-) de la borne de la batterie, ce qui est le plus facile, avant de transporter le générateur.

## REMARQUE :

**Ce générateur est équipé d'un silencieux pare-étincelles. Le propriétaire / l'opérateur du générateur devra garder le pare-étincelles en bon état. Dans l'État de Californie, un pare-étincelles est exigé par la loi (Section 4442 du California Public Resources Code (Code de ressources publiques de Californie)). Les autres États peuvent avoir des lois similaires. Les lois fédérales s'appliquent sur les terres fédérales.**



- ⚠ CONSERVER CES CONSIGNES – Le fabricant recommande que ces règles relatives au fonctionnement sûr soient copiées et affichées à proximité du site d'installation de l'unité. Tous les opérateurs et opérateurs potentiels de cet équipement doivent prendre conscience de la question de la sécurité.**

## ECHAPPEMENT ET LE DANGER D'EMPLACEMENT

### **⚠ DANGER!**

- ⚠ NE JAMAIS faire fonctionner le générateur à l'intérieur! NE JAMAIS utiliser à l'intérieur d'une maison ou d'un garage, MÊME SI les portes et les fenêtres sont ouvertes. Utiliser UNIQUEMENT à l'extérieur et loin des fenêtres, portes ouvertes, ventilations, et dans un espace dans lequel le gaz d'échappement ne s'accumulera pas de façon mortelle.**

⚠ DANGER	⚠ DANGER	⚠ PELIGRO
Using a generator indoors CAN KILL YOU IN MINUTES. Generator exhaust contains carbon monoxide. This is a poison you cannot see or smell.	Utiliser un générateur à l'intérieur PEUT VOUS TUER EN QUELQUES MINUTES. Les gaz d'échappement du générateur contiennent du monoxyde de carbone. C'est un gaz toxique invisible et inodore.	Si usa un generador en interiores, MORIRÁ EN POCOS MINUTOS. El escape del generador contiene monóxido de carbono. Es un veneno que no tiene olor ni se puede ver.
NEVER use inside a home or garage, EVEN IF doors and windows are open. Only use OUTSIDE and far away from windows, doors, and vents. NE JAMAIS utiliser à l'intérieur d'une maison ou d'un garage, MÊME SI les portes et les fenêtres sont ouvertes. Utiliser UNIQUEMENT à l'EXTÉRIEUR et loin des fenêtres, portes et ventilations. NUNCA lo use dentro de una casa o garaje, AUN si las puertas y ventanas están abiertas. Sólo úselo EN EXTERIORES y lejos de ventanas, puertas y ductos de ventilación.		

- Les fumées d'échappement du moteur contiennent du monoxyde de carbone, qui peut s'avérer MORTEL. Ce gaz dangereux, s'il est respiré en concentrations suffisantes, peut entraîner une perte de conscience ou même la mort.
- Un débit approprié, non obstrué d'air de refroidissement et de ventilation est important pour corriger le fonctionnement du générateur. Ne pas modifier l'installation ou ne pas laisser même un blocage partiel de l'alimentation de ventilation, étant donné que cela peut sérieusement affecter le fonctionnement sûr du générateur. Il FAUT faire fonctionner le générateur à l'extérieur.
- Ce système d'échappement doit être correctement entretenu. Ne rien faire qui pourrait rendre le système d'échappement dangereux ou non conforme aux codes locaux et/ou normes locales.
- Le fabricant recommande d'installer un détecteur d'oxyde de carbone à alimentation par batterie à l'intérieur, conformément aux instructions du fabricant.

## DANGERS ÉLECTRIQUES

- Le générateur produit une tension dangereusement haute pendant son fonctionnement. Éviter le contact avec les fils nus, les bornes, les branchements, etc., pendant le fonctionnement de l'unité, même sur l'équipement branché au générateur. S'assurer que tous les couvercles, les dispositifs de protection et les barrières sont en place avant de faire fonctionner le générateur.
- Ne jamais manipuler tout type de cordon ou de dispositif électrique qui est dans l'eau, alors que vous êtes pieds nus ou que vos mains ou vos pieds sont mouillés. **Cela entraînera un risque d'électrocution!**

- Le National Electric Code (Code électrique national) exige que le bâti et que les pièces externes électriquement conductrices du générateur soient correctement reliés à une terre approuvée. Les codes électriques locaux peuvent également exiger la bonne mise à la terre du générateur. Consulter un électricien local pour connaître les exigences de mise à la terre dans la région.
- Utiliser un disjoncteur de fuite à la terre dans toute zone humide ou très conductrice (telle que le carter protecteur métallique ou l'aciérie).
- Ne pas utiliser de cordons électriques usés, nus, effilochés ou autrement endommagés avec le générateur.
- Avant d'effectuer toute maintenance sur le générateur, débrancher la batterie de démarrage du moteur (le cas échéant) afin d'empêcher un démarrage accidentel. Débrancher le câble de la borne de la batterie signalée par l'inscription NEGATIVE (Négatif), NEG ou le signe (-) en premier. Rebrancher ce câble en dernier.
- En cas d'accident causé par électrocution, couper immédiatement la source d'alimentation électrique. Si cela est impossible, essayer de libérer la victime du conducteur sous tension. **ÉVITER TOUT CONTACT DIRECT AVEC LA VICTIME.** Utiliser un objet non conducteur, comme une corde ou une planche, pour libérer la victime du conducteur sous tension. Si la victime est inconsciente, assurer les premiers secours et demander une aide médicale immédiate.

## RISQUES D'INCENDIE

- L'essence est extrêmement INFLAMMABLE et ses vapeurs sont EXPLOSIVES. Ne pas produire de fumée, flammes nues, étincelles ou chaleur à proximité de l'endroit où l'essence est manipulée.
- NE JAMAIS ajouter de carburant lorsque l'unité fonctionne ou est chaude. Laisser le moteur complètement refroidir avant d'ajouter du carburant.
- Ne jamais remplir le réservoir d'essence à l'intérieur. Respecter toutes les lois réglementant le stockage et la manipulation de l'essence.
- Ne pas trop remplir le réservoir d'essence. Toujours laisser de la place pour l'expansion du carburant. En cas de suremplissage du réservoir, le carburant peut déborder sur un moteur chaud et entraîner un INCENDIE ou une EXPLOSION. NE JAMAIS ranger le moteur avec un réservoir rempli d'essence à l'intérieur ou dans des zones fermées et faiblement aérées où des fumées peuvent atteindre une flamme nue, des étincelles ou une veilleuse telle qu'il y en a sur une chaudière, un chauffe-eau, un sèche-linge ou d'autres appareils fonctionnant au gaz, étant donné que cela peut entraîner un INCENDIE ou une EXPLOSION. Permettre à l'appareil de se refroidir avant de stocker.
- Nettoyer immédiatement toute éclaboussure de carburant ou d'huile. S'assurer qu'aucune matière combustible ne reste sur ou à proximité du générateur. Garder l'espace environnant du générateur propre et sans débris et garder un jeu de cinq (5) pieds sur tous les côtés afin de permettre une aération adaptée du générateur.
- Ne pas faire fonctionner le générateur si des dispositifs électriques branchés surchauffent ; si la puissance électrique est perdue ; si le moteur ou le générateur fait des étincelles ; si des flammes ou de la fumée sont détectées alors que l'unité fonctionne.
- Garder un extincteur à proximité du générateur à tout moment.



## ***INDEX DES NORMES***

En l'absence de normes, codes, réglementations et lois applicables, les informations publiées indiquées ci-dessous peuvent servir de directive pour le fonctionnement de cet équipement. Toujours se reporter à la dernière révision disponible pour les normes indiquées.

1. NFPA n° 70, NFPA HANDBOOK OF NATIONAL ELECTRIC CODE (Manuel NFPA du code électrique national).
2. Article X, NATIONAL BUILDING CODE (Code de construction national), disponible auprès de l'American Insurance Association, 85 John Street, New York, N.Y. 10038.
3. AGRICULTURAL WIRING HANDBOOK (Manuel de câblage agricole), disponible auprès du Food and Energy Council, 909 University Avenue, Columbia, MO 65201.
4. ASAE EP-3634, INSTALLATION AND MAINTENANCE OF FARM STANDBY ELECTRICAL SYSTEMS (Installation et maintenance des systèmes électriques de secours pour les fermes), disponible auprès de l'American Society of Agricultural Engineers, 2950 Niles Road, St. Joseph, MI 49085.
5. NFPA n° 30, FLAMMABLE AND COMBUSTIBLE LIQUIDS CODE (Code relatif aux liquides inflammables et combustibles).

### **AVERTISSEMENT PROPOSITION 65 CALIFORNIE**

**L'échappement du moteur et certains de ses constituants sont susceptibles selon l'État de Californie d'entraîner des cancers, des malformations congénitales ou autres maladies pouvant être nocives pour le système reproductives.**

### **AVERTISSEMENT PROPOSITION 65 CALIFORNIE**

**Ce produit contient ou émet des produits chimiques susceptibles selon l'État de Californie d'entraîner descancers, des malformations congénitales ou autres maladies pouvant être nocives pour le système reproductif.**

## 1.1 DÉBALLAGE

- Retirer tous les éléments d'emballage.
- Enlever la boîte d'accessoires séparée.
- Retirer le générateur du carton.

### 1.1.1 BOÎTE D'ACCESSOIRES

Vérifier le contenu de la boîte. Si des pièces sont absentes ou endommagées, merci de localiser un dépositaire agréé au 1-888-436-3722.

La boîte contient :

- 1 - Manuel d'entretien
- 1 - Huile quart SAE 30
- 2 - Roues jamais plates
- 1 - Chargeur du connecteur adaptateur de 12 volts\*
- 1 - Pied du bâti
- 1 - Poignée gauche
- 1 - Poignée droite
- 1 - Pied du bâti
- 1 - Sac de matériel (contenant ce qui suit) :
  - 2 - Pieds en caoutchouc
  - 2 - Boulons de 0,31 po.
  - 2 - Rondelles plates de 0,31 po.
  - 4 - Écrous à collet de blocage de 0,31 po.
  - 4 - Boulons de 0,31 po.
  - 2 - Écrous borgnes de blocage de 0,31 po.
  - 2 - Boulons d'axe de 0,5 po.
  - 2 - Écrous à collet de blocage de 0,5 po.
  - 2 - Rondelles plates de 0,5 po.

\* Unités à démarrage électrique uniquement.

## 1.2 MONTAGE

Il est nécessaire d'effectuer quelques étapes de montage avant d'utiliser le générateur. Si des problèmes se présentent lors du montage du générateur, merci d'appeler la ligne d'assistance pour les générateurs au 1-888-436-3722.

### 1.2.1 MONTAGE DU KIT D'ACCESSOIRES

Les roues sont conçues dans l'unité pour améliorer considérablement la portabilité du générateur.

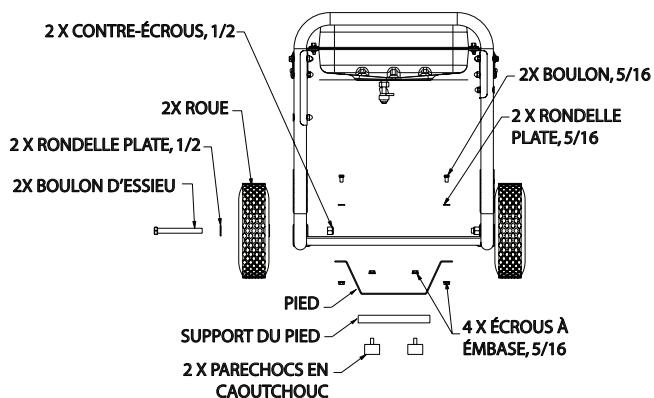
#### REMARQUE :

**Les roues ne sont pas conçues pour une utilisation sur la route.**

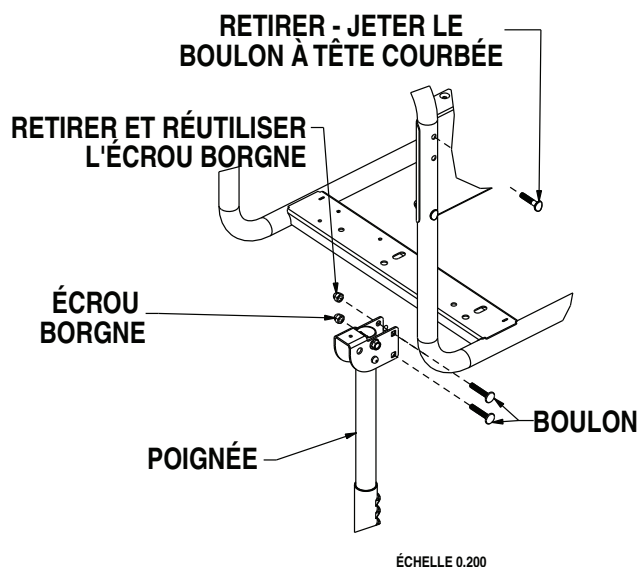
1. Merci de vous reporter au Schéma 1 et d'installer les roues comme suit :
  - Faire glisser le boulon d'axe de 0,5 po. à travers la rondelle de 0,5 po., la roue et le support de la roue sur le bâti.
  - Installer les écrous à collet de blocage de 0,5 po. sur le boulon à collet de 0,5 po.
2. Se reporter au Schéma 1 et installer le pied du bâti, le support du pied et les pieds en caoutchouc comme indiqué.
  - Faire glisser l'axe des pieds en caoutchouc à travers le support du pied et le pied du bâti ; Installer les écrous à collet de blocage de 0,31 po., faire glisser le boulon de 0,31 po. à travers la rondelle plate de 0,31 po., puis à travers les trous dans le longeron de cadre de châssis.
  - Faire glisser le pied du bâti sur les boulons de 0,31 po. ; Installer les écrous à collet de blocage de 0,31 po.
3. Merci de vous reporter au Schéma 2 et d'installer les poignées comme indiqué.
  - Retirer les boulons à tête courbée et les écrous borgnes (Les écrous borgnes seront réutilisés).

- Faire glisser la poignée sur le tube du bâti, en alignant les 2 trous.
- Faire glisser les boulons de 0,31 po. ; installer les écrous borgnes de 0,31 po.

### Schéma 1 – Montage de la roue



### Schéma 2 – Installation de la poignée



### 1.2.2 BRANCHEMENT DU DÉMARREUR (DÉMARRAGE ÉLECTRIQUE UNIQUEMENT)

L'unité a été envoyée avec le câble de démarreur débranché.

Pour brancher le démarreur :

1. Localiser le câble de démarreur (une étiquette à fil est attachée comme indiqué sur le Schéma 3).
2. Rabattre la protection en vinyle sur le câble de démarreur.
3. Retirer l'écrou et la rondelle du montant du démarreur.
4. Placer le câble de démarreur sur le montant et remettre la rondelle et l'écrou.

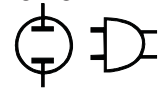
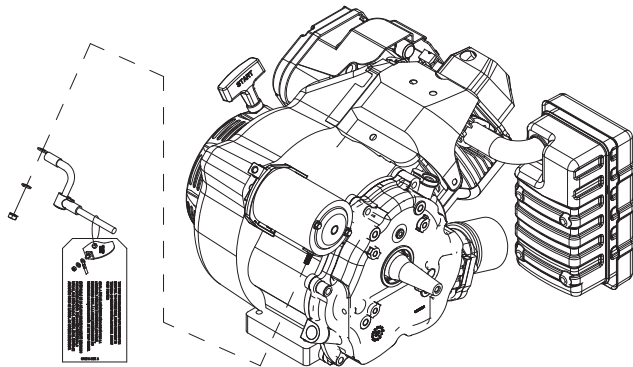


Schéma 3 – Branchement du démarreur



11. **Poignées** – Pivoter et rétracter pour le stockage. Appuyer sur le bouton à ressort pour déplacer les poignées.
12. **Chapeau de gaz assis** – Emplacement de remplissage d'huile.
13. **Jauge de carburant** – Indique le niveau de carburant dans le réservoir.
14. **Remplissage d'huile** – Ajouter de l'huile ici.
15. **Lanceur à rappel** – Utiliser pour démarrer le moteur manuellement.
16. **Soupape d'arrêt** – Soupape entre le réservoir d'essence et le carburateur.
17. **Vidange d'huile** – Utilisé pour vidanger l'huile de moteur.
- 18\*. **Entrée du chargeur de la batterie** – Cette prise a la capacité de recharger la batterie rechargeable c.c. de 12 volts, équipée d'un chargeur d'adaptateur de 12 volts qui est inclus dans la boîte d'accessoires. Derrière l'entrée du chargeur de la batterie, il y a un fusible en ligne de 1,50 A qui se trouve à l'intérieur du panneau de commande afin de protéger la batterie.
- 19\*. **Batterie** – Met sous tension le démarreur électrique.

\* Démarrage électrique uniquement.

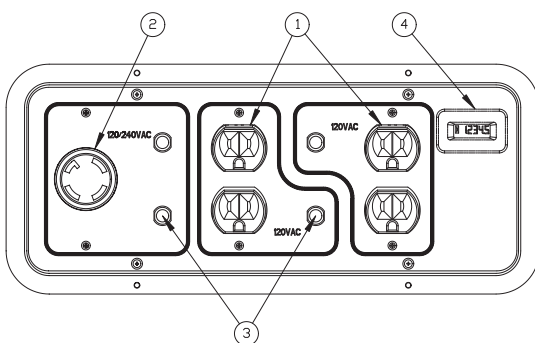
## 2.1 BIEN CONNAÎTRE LE GÉNÉRATEUR

Merci de lire le Manuel d'entretien et les Règles de sécurité avant de faire fonctionner ce générateur.

Comparer le générateur aux Schémas 4 à 6 pour vous familiariser avec les emplacements des divers contrôles et réglages. Conserver ce manuel pour mémoire.

1. **Prise double à DDFT 120 V c.a., 20 A** – Fournit une alimentation électrique pour le fonctionnement d'un éclairage électrique, d'appareils, d'outils et de charges de moteur 120 V c.a., 20 A, monophasé, 60 Hz.
2. **Prise à verrouillage 120/240 V c.a., 30 A** – Fournit une alimentation électrique pour le fonctionnement d'un éclairage électrique, d'appareils, d'outils et de charges de moteur 120 V et / ou 240 V c.a., 30 A, monophasé, 60 Hz.
3. **Disjoncteurs (c.a.)** – Chaque prise est fournie avec un disjoncteur de type « pousser pour réenclencher » pour protéger le générateur contre les surcharges électriques.

Schéma 4 - Panneau de commande



4. **Horomètre** – Relève les heures de fonctionnement.
5. **Filtre à air** – Filtre l'air aspiré par le moteur.
6. **Étrangleur** – Utilisé au démarrage d'un moteur froid.
7. **Réservoir d'essence** – Le réservoir peut contenir 6,6 gallons U.S. d'essence.
8. **Borne de mise à la terre** – Relie le générateur à une terre approuvée. Voir la section « Mise à la terre du générateur » pour plus d'informations.
9. **Interrupteur Start/Run/Stop (Démarrage/Marche/Arrêt)** – Contrôle le fonctionnement du générateur.
10. **Pot d'échappement** – Rend silencieux le moteur.

Schéma 5 - Commandes du générateur

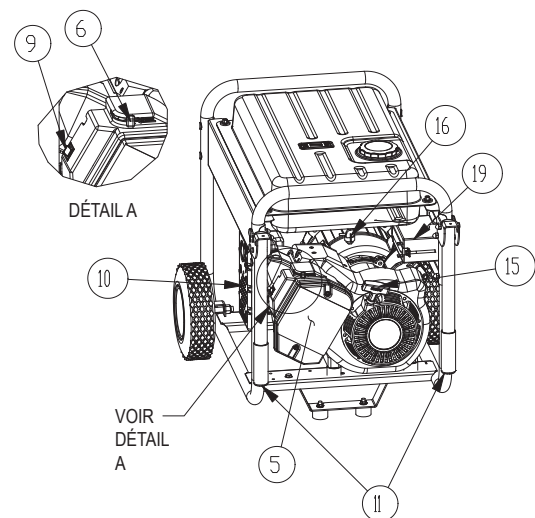
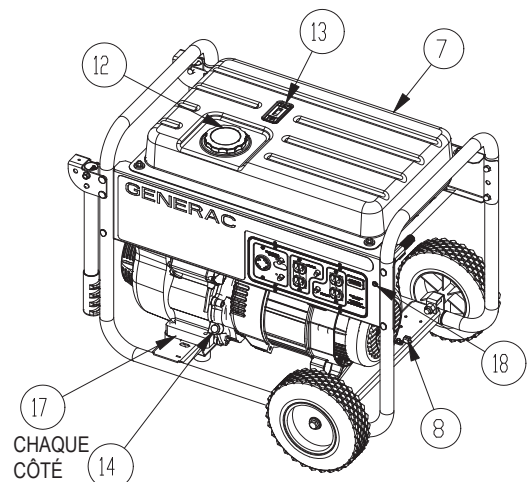
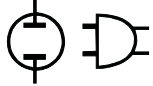


Schéma 6 - Commandes du générateur





## 2.2 HOROMÈTRE

L'horomètre relève les heures de fonctionnement pour la maintenance programmée :

Un message « CHG OIL » s'affichera toutes les 100 heures. Le message clignotera une heure avant et une heure après chaque intervalle de 100 heures, laissant à nouveau une marge de deux heures pour effectuer l'entretien.

Ce message commencera à clignoter à la 99ème heure et se désactivera à la 101ème heure, laissant une marge de deux heures pour effectuer l'entretien.

Toutes les 200 heures, l'icône « SVC » située en bas à gauche de l'écran clignotera. Le message clignotera une heure avant et une heure après chaque intervalle de 200 heures, laissant une marge de deux heures pour effectuer l'entretien.

Lorsque l'horomètre est en mode Flash Alert (Alerte clignotante), le message de maintenance s'affichera toujours en alternance avec le temps écoulé en heures et en dixièmes. Les heures feront clignoter quatre heures, puis s'afficheront en alternance avec le message de maintenance quatre fois jusqu'à ce que la réinitialisation de l'horomètre.

- 100 heures - CHG OIL — Intervalle de changement d'huile (Toutes les 100 heures)
- 200 heures - SVC — Intervalle du filtre à air (Toutes les 200 heures)

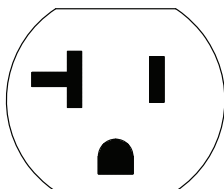
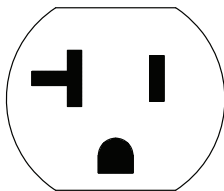
## 2.3 CORDONS ET CONNECTEURS

### 2.3.1 PRISE DOUBLE, 120 V C.A., 20 A

Il s'agit d'une prise de 120 volts protégée contre la surcharge par un disjoncteur de type « pousser pour réenclencher » de 20 A (Schéma 7). Utiliser chaque prise pour alimenter les charges électriques monophasées de 120 V c.a., 60 Hz nécessitant 2 400 watts (2,4 kW) ou 20 A de courant. Utiliser uniquement des cordons à trois fils avec mise à la terre, bien isolés, de haute qualité conçus pour 125 Volts à 20 A (ou plus).

Garder les cordons prolongateurs aussi courts que possible, de préférence à une longueur inférieure à 15 pieds, afin d'empêcher une chute de tension et une surchauffe potentielle des câbles.

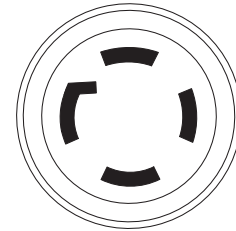
Schéma 7 - Prise double, 120 V c.a., 20 A



### 2.3.2 PRISE 120/240 V C.A., 30 A

Utiliser une fiche NEMA L14-30 avec cette prise (tourner pour verrouiller/déverrouiller). Brancher un cordon à 4 fils avec mise à la terre adapté à la prise et à la charge souhaitée. Le cordon doit être conçu pour 250 V c.a. à 30 A (ou plus) (Schéma 8).

Schéma 8 - Prise 120/240 V c.a., 30 A



120V/240V  
 30A

Utiliser cette prise pour faire fonctionner les charges monophasées de 120 V c.a., 60 Hz nécessitant 3 600 watts (3,6 kW) d'alimentation à 30 A ou des charges monophasées de 240 V c.a., 60 Hz nécessitant 7 200 watts (7,2 kW) d'alimentation à 30 A. La prise est protégée par deux disjoncteurs de type « pousser pour réenclencher » de 30 A.

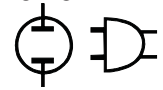
## 2.4 UTILISATION DU GÉNÉRATEUR

Si des problèmes se présentent lors du fonctionnement du générateur, merci d'appeler la ligne d'assistance pour les générateurs au 1-888-436-3722.

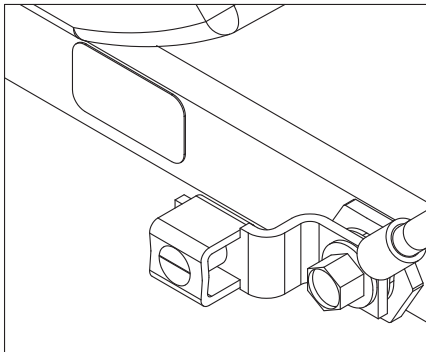
▲ DANGER	▲ DANGER	▲ PELIGRO
Using a generator indoors CAN KILL YOU IN MINUTES. Generator exhaust contains carbon monoxide. This is a poison you cannot see or smell.	Utiliser un générateur à l'intérieur PEUT VOUS TUER EN QUELQUES MINUTES. Les gaz d'échappement du générateur contiennent du monoxyde de carbone. C'est un gaz toxique invisible et inodore.	Si usa un generador en interiores, MORIRÁ EN POCOS MINUTOS. El escape del generador contiene monóxido de carbono. Es un veneno que no tiene olor ni se puede ver.
NEVER use inside a home or garage, EVEN IF doors and windows are open. Only use OUTSIDE and far away from windows, doors, and vents. NE JAMAIS utiliser à l'intérieur d'une maison ou d'un garage, MÊME SI les portes et les fenêtres sont ouvertes. Utiliser UNIQUEMENT à l'EXTÉRIEUR et loin des fenêtres, portes et ventilations. NUNCA lo use dentro de una casa o garage, AUN SI las puertas y ventanas están abiertas. Sólo úselo EN EXTERIORES y lejos de ventanas, puertas y ductos de ventilación.		

### 2.4.1 MISE À LA TERRE DU GÉNÉRATEUR

Le National Electrical Code (Code électrique national) exige que le bâti et que les pièces externes électriquement conductrices de ce générateur soient correctement reliées à une terre approuvée (Schéma 9). Les codes électriques locaux peuvent également exiger la bonne mise à la terre de l'unité. À cette fin, brancher un fil toronné en cuivre de 10 AWG (calibre américain des fils) à la borne de mise à la terre et à une tige en cuivre conduite à la terre ou une tige à la terre (électrode) en laiton fournit une protection appropriée contre les électrocutions. Cependant, les codes locaux peuvent fortement varier.  **Consulter un électricien local pour connaître les exigences de mise à la terre dans la région.**



### Schéma 9 - Mise à la terre du générateur



La bonne mise à la terre du générateur aidera à empêcher une électrocution en cas de condition de défaut de mise à la terre dans le générateur ou dans les dispositifs électriques branchés. La bonne mise à la terre aide également à dissiper l'électricité statique, qui s'accumule souvent dans les dispositifs non mis à la terre.

#### 2.4.2 BRANCHEMENT DES CHARGES ÉLECTRIQUES

**NE PAS** brancher des charges de 240 V à des prises de 120 V. **NE PAS** brancher des charges triphasées au générateur. **NE PAS** brancher des charges de 50 Hz au générateur.

- Laisser le moteur se stabiliser et chauffer pendant quelques minutes après le démarrage.
- Brancher et mettre sous tension les charges électriques monophasées souhaitées de 120 ou 240 V c.a., 60 Hz.
- Ajouter les watts (ou ampères) nominaux de toutes les charges à brancher en même temps. Ce total ne doit pas dépasser (a) la capacité nominale de wattage/ampérage du générateur ou (b) la valeur nominale du disjoncteur de la prise fournissant l'alimentation. Voir la section « Ne pas surcharger le générateur ».

### 2.5 NE PAS SURCHARGER LE GÉNÉRATEUR

Surcharger un générateur au-dessus de sa capacité nominale de wattage peut endommager le générateur et les dispositifs électriques branchés. Respecter les consignes suivantes pour empêcher la surcharge de l'unité :

- Calculer le wattage total de tous les dispositifs électriques à brancher en même temps. Ce total ne doit PAS dépasser la capacité de wattage du générateur.
  - Le wattage nominal des lumières peut être indiqué sur les ampoules. Le wattage nominal des outils, des appareils et des moteurs se trouve généralement sur une étiquette ou un autocollant apposé(e) sur le dispositif.
  - Si l'appareil, l'outil ou le moteur n'indique pas le wattage, multiplier la valeur nominale des volts fois la valeur nominale des ampères afin de déterminer les watts (volts x ampères = watts).
  - Certains moteurs électriques, tels que ceux à induction, nécessitent environ trois fois plus de watts d'alimentation pour le démarrage que pour le fonctionnement. Cette surtension d'alimentation dure seulement quelques secondes lors du démarrage des moteurs en question. S'assurer de laisser un wattage de démarrage élevé lors du choix des dispositifs électriques pour brancher le générateur :
1. Calculer les watts nécessaires pour démarrer le moteur le plus grand.

2. Ajouter à ce chiffre les watts de fonctionnement de toutes les autres charges branchées.

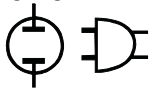
Le Guide de référence de wattage sert à déterminer combien d'éléments le générateur peut faire fonctionner en même temps.

#### REMARQUE :

Tous les chiffres sont arrondis. Voir les étiquettes sur l'unité pour connaître les exigences de wattage.

## 2.6 GUIDE DE RÉFÉRENCE DE WATTAGE

Dispositif	Watts de fonctionnement
*Climatiseur (12 000 Btu)	1700
*Climatiseur (24 000 Btu)	3800
*Climatiseur (40 000 Btu)	6000
Chargeur de batterie (20 A)	500
Ponceuse à bande (3 po.)	1000
Scie à chaîne	1200
Scie circulaire (6,5 po.)	.800 à 1 000
*Sèche-linge (électrique)	5750
*Sèche-linge (à gaz)	700
*Machine à laver	1150
Cafetière	1750
*Compresseur (1 HP)	2000
*Compresseur (0,75 HP)	1800
*Compresseur (0,5 HP)	1400
Fer à friser	700
*Déshumidificateur	650
Ponceuse à disque (9 po.)	1200
Coupe-bordures	500
Couverture chauffante électrique	400
Cloueuse électrique	1200
Cuisinière électrique (par élément)	1500
Poêle électrique	1250
*Freezer	700
*Ventilateur de chaudière (0,6 HP)	875
*Ouvre-porte de garage	500 à 750
Sèche-cheveux	1200
Perceuse à main	.250 à 1 100
Taille-haie	450
Clé à chocs	500
Fer	1200
*Pompe à jet	800
Tondeuse à gazon	1200
Ampoule	100
Four à micro-ondes	.700 à 1 000
*Réfrigérateur de lait	1100
Brûleur à mazout de chaudière	300
Radiateur à mazout (140 000 Btu)	400
Radiateur à mazout (85 000 Btu)	225
Radiateur à mazout (30 000 Btu)	150
*Pistolet à peinture, sans air (0,3 HP)	600
Pistolet à peinture, sans air (portable)	150
Radio	50 à 200
*Réfrigérateur	700
Cocotte mijoteuse	200
*Pompe immergée (1,5 HP)	2800



- \*Pompe immergée (1 HP) ..... 2000
- \*Pompe immergée (0,5 HP) ..... 1500
- \*Pompe de vidange ..... 800 à 1 050
- \*Scie circulaire à table (10 po.) ..... 1 750 à 2 000
- Télévision ..... 200 à 500
- Grille-pain ..... 1 000 à 1 650
- Coupe-mauvaises herbes ..... 500
- \* Laisser 3 fois les watts indiqués pour le démarrage de ces dispositifs.

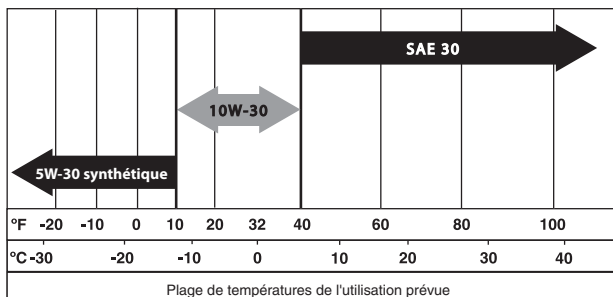
## 2.7 AVANT LE DÉMARRAGE DU GÉNÉRATEUR

Avant de faire fonctionner le générateur, de l'huile de moteur et de l'essence devront être ajoutés, de la façon suivante :

### 2.7.1 AJOUT DE L'HUILE DE MOTEUR

Toute huile doit respecter la catégorie de service minimale SJ, SL ou mieux de l'American Petroleum Institute (API) (Institut américain du pétrole). N'utiliser aucun additif spécial. Sélectionner le degré de viscosité d'huile selon la température d'exploitation (se reporter également au tableau).

- Au-dessus de 40 °F, utiliser le SAE 30
- En dessous de 40 °F et jusqu'à 10 °F, utiliser le 10W-30
- En dessous de 10 °F, utiliser le 5W-30 synthétique

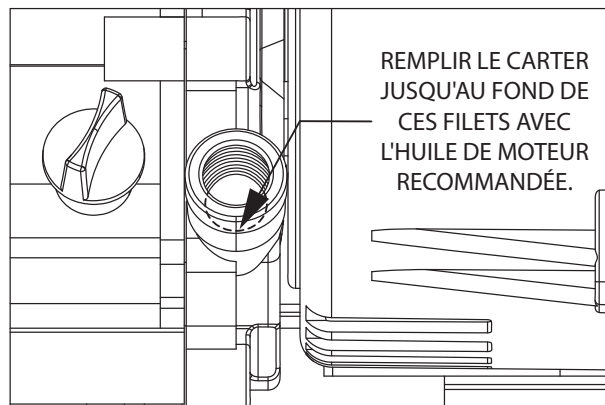


### ATTENTION

**Toute tentative de faire tourner ou de démarrer le moteur avant qu'il ait été correctement entretenu avec l'huile recommandée peut entraîner une panne du moteur.**

- Installer le générateur sur une surface de niveau.
- Nettoyer l'espace autour de l'orifice de remplissage d'huile et retirer le bouchon.
- Remplir lentement le moteur avec de l'huile jusqu'à ce qu'elle atteigne les filets de l'orifice de remplissage d'huile (voir Schéma 10). Interrompre régulièrement le remplissage pour vérifier le niveau d'huile.
- Mettre le bouchon sur l'orifice de remplissage de l'huile et le serrer fermement au doigt.
- Vérifier le niveau d'huile de moteur avant le démarrage à chaque fois par la suite.

Schéma 10 – Niveau d'huile



### 2.7.2 AJOUT DE L'ESSENCE

### DANGER

**Ne jamais remplir le réservoir d'essence à l'intérieur. Éviter de renverser de l'essence sur un moteur chaud. Laisser le moteur complètement refroidir avant d'ajouter du carburant. Ne jamais remplir le réservoir d'essence lorsque le moteur fonctionne ou est chaud. NE PAS allumer une cigarette ni fumer lors du remplissage du réservoir d'essence. L'essence est extrêmement INFLAMMABLE et ses vapeurs sont EXPLOSIVES.**

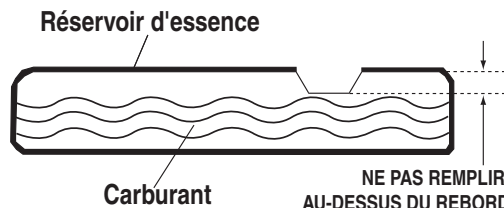
### ATTENTION

**Ne pas trop remplir le réservoir d'essence. Toujours laisser de la place pour l'expansion du carburant. En cas de suremplissage du réservoir, le carburant peut déborder sur un moteur chaud et entraîner un incendie ou une explosion. Nettoyer immédiatement toute éclaboussure de carburant.**

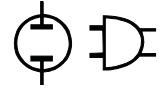
Utiliser de l'essence SANS PLOMB régulière avec le moteur du générateur. Ne pas utiliser de supercarburant. Ne pas mélanger l'huile avec l'essence.

- Nettoyer l'espace autour du bouchon de l'orifice de remplissage d'essence, retirer le bouchon.
- Ajouter lentement de l'essence régulière sans plomb dans le réservoir d'essence. Remplir jusqu'au fond du filtre à tamis. **Faire attention de ne pas trop remplir** (Schéma 11).
- Mettre le bouchon du réservoir d'essence et nettoyer toute éclaboussure d'essence.

Schéma 11 - Réservoir d'essence

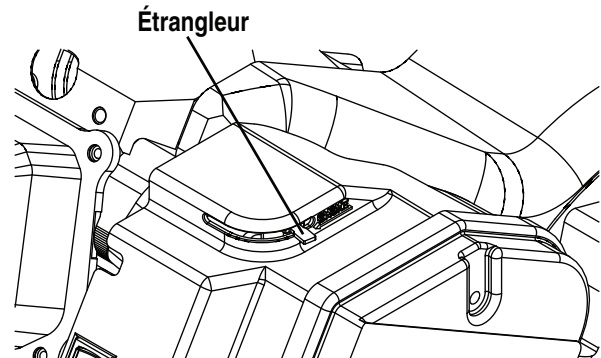






**IMPORTANT** : Il est important d'empêcher la formation de dépôts de gomme dans les pièces du circuit de carburant, telles que le carburateur, le tuyau pour combustible ou le réservoir pendant le stockage. L'expérience montre également que les carburants à base d'alcool (appelés gazohol, éthanol ou méthanol) peuvent absorber l'humidité, ce qui entraîne une séparation et la formation d'acides pendant le stockage. Un gaz acide peut endommager le circuit de carburant d'un moteur pendant le stockage de celui-ci. Afin d'éviter tout problème avec le moteur, le circuit de carburant doit être vidé avant le stockage du moteur si celui-ci est d'au moins 30 jours. Voir la section « Stockage ». Ne jamais utiliser de produit nettoyant pour moteur ou carburateur dans le réservoir d'essence étant donné que cela pourrait causer des dommages permanents.

Schéma 13 - Position de l'étrangleur



## 2.8 DÉMARRAGE DES MOTEURS À DÉMARRAGE MANUEL



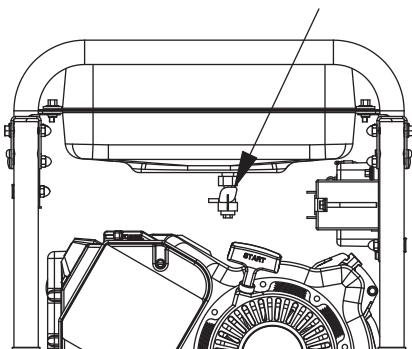
### AVERTISSEMENT

**⚠ Ne jamais démarrer ou arrêter le moteur avec les dispositifs électriques branchés dans les prises ET les dispositifs sous tension.**

- Débrancher toutes les charges électriques des prises de l'unité avant de démarrer le moteur.
- S'assurer que l'unité est dans une position de niveau.
- OUVRIER la soupape d'arrêt (Schéma 12 et 14).
- Mettre l'interrupteur RUN/STOP (Marche/Arrêt) du moteur sur la position ON (Marche) (Schéma 13).
- Mettre le bouton CHOKE (Étrangleur) du moteur à l'extérieur sur la position FULL CHOKE (Étrangleur plein) (Schéma 13).
- Pour démarrer le moteur, attraper fermement la poignée de rappel et tirer jusqu'à ce qu'une résistance se fasse sentir. Remonter rapidement et démarrer.
- Lorsque le moteur démarre, mettre le bouton Choke (Étrangleur) sur la position 1/2 CHOKE (Étrangleur à moitié) jusqu'à ce que le moteur fonctionne doucement et ensuite sur la position RUN (Marche). Si le moteur vibre, remettre le levier Choke (Étrangleur) sur la position 1/2 CHOKE (Étrangleur à moitié) jusqu'à ce que le moteur fonctionne doucement et ensuite sur la position RUN (Marche).

Schéma 12 - Soupape d'arrêt

### SOUPAPE D'ARRÊT



### REMARQUE :

Si le moteur chauffe, mais ne continue pas à fonctionner, mettre le levier de l'étrangleur sur FULL CHOKE (Étrangleur plein) et répéter les instructions de démarrage.

**IMPORTANT** : Ne pas surcharger le générateur. Aussi, ne pas surcharger les prises individuelles du panneau. Ces prises sont protégées contre la surcharge avec des disjoncteurs de type « pousser pour réenclencher ». Si la valeur nominale d'ampérage d'un disjoncteur est dépassée, ce disjoncteur s'ouvre et la puissance électrique de cette prise est perdue. Lire attentivement la section « Ne pas surcharger le générateur ».

## 2.9 DÉMARRAGE DES MOTEURS À DÉMARRAGE ÉLECTRIQUE

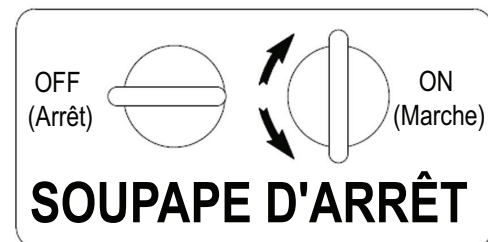


### AVERTISSEMENT

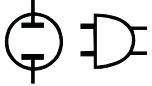
**⚠ Ne jamais démarrer ou arrêter le moteur avec les dispositifs électriques branchés dans les prises ET les dispositifs sous tension.**

- Débrancher toutes les charges électriques des prises de l'unité avant de démarrer le moteur.
- S'assurer que l'unité est dans une position de niveau.
- Ouvrir la soupape d'arrêt (Schéma 12 et 14).
- Mettre le bouton CHOKE (Étrangleur) du moteur à l'extérieur sur la position « Full Choke » (Étrangleur plein) (Schéma 15).

Schéma 14 - Soupape d'arrêt



- Pour démarrer le moteur, appuyer et maintenir enfoncé l'interrupteur Start/Run/Stop (Démarrage/Marche/Arrêt) sur la position « Start » (Démarrage). Le moteur tournera et commencera à démarrer. Lorsque le moteur démarre, relâcher l'interrupteur sur la position Run (Marche).
- Lorsque le moteur démarre, mettre le bouton Choke (Étrangleur) sur la position « 1/2 Choke » (Étrangleur à moitié) jusqu'à ce que le moteur fonctionne doucement et ensuite sur la position « Run » (Marche). Si le moteur vibre, remettre le bouton Choke (Étrangleur) sur la position « 1/2 Choke » (Étrangleur à moitié) jusqu'à ce que le moteur fonctionne doucement et ensuite sur la position « Run » (Marche).



- Ce générateur est également équipé d'un lanceur à rappel manuel qui peut être utilisé en cas de déchargement de la batterie.

REMARQUE :

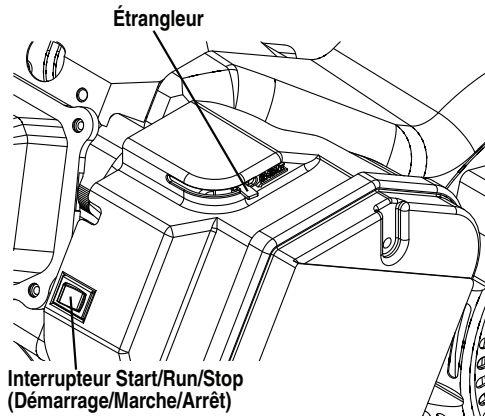
L'interrupteur doit être en position RUN (Marche).

- Pour démarrer manuellement, attraper fermement la poignée de rappel et tirer jusqu'à ce qu'une résistance se fasse sentir. Remonter rapidement et démarrer le moteur. Puis, suivre la même séquence de l'étrangleur.

REMARQUE :

Si le moteur chauffe, mais ne continue pas à fonctionner, mettre le levier de l'étrangleur sur Full Choke (Étrangleur plein) et répéter les instructions de démarrage.

Schéma 15 - Position de l'étrangleur



**IMPORTANT :** Ne pas surcharger le générateur. Aussi, ne pas surcharger les prises individuelles du panneau. Ces prises sont protégées contre la surcharge avec des disjoncteurs de type « pousser pour réenclencher ». Si la valeur nominale d'ampérage d'un disjoncteur est dépassée, ce disjoncteur s'ouvre et la puissance électrique de cette prise est perdue. Lire attentivement la section « Ne pas surcharger le générateur ».

## 2.10 ARRÊT DU MOTEUR

- Arrêter toutes les charges, puis débrancher les charges électriques des prises du panneau du générateur. Ne jamais démarrer ou arrêter le moteur avec les dispositifs électriques branchés et sous tension.
- Laisser le moteur fonctionner à circuit ouvert pendant plusieurs minutes pour stabiliser les températures internes du moteur et du générateur.
- Mettre l'interrupteur Run/Stop (Marche/Arrêt) sur la position OFF (Arrêt).
- Fermer la vanne de combustible.

## 2.11 SYSTÈME D'ARRÊT DE BAS NIVEAU D'HUILE

Le moteur est équipé d'un détecteur de bas niveau d'huile qui arrête le moteur automatiquement lorsque le niveau d'huile chute en dessous d'un niveau spécifique. Si le moteur s'arrête tout seul et que le réservoir d'essence a assez d'essence, vérifier le niveau d'huile du moteur.

### 2.11.1 DÉTECTION DE BAS NIVEAU D'HUILE

Si le système détecte un niveau d'huile bas pendant le fonctionnement, le moteur s'arrête. Le moteur ne fonctionnera pas tant que de l'huile n'aura pas été rajoutée pour atteindre le bon niveau.

## 2.12 CHARGEMENT DE LA BATTERIE (UNITÉS À DÉMARRAGE ÉLECTRIQUE UNIQUEMENT)



- ⚠ Les batteries rechargeables émettent un gaz hydrogène explosif lors du rechargement. Un mélange explosif restera autour de la batterie longtemps après son chargement. La plus petite étincelle peut enflammer l'hydrogène et causer une explosion. Cette explosion peut faire voler en éclats la batterie et causer la cécité ou d'autres blessures graves.



- ⚠ Ne pas produire de fumée, flammes nues, étincelles ou autre source de chaleur à proximité de la batterie. Porter des lunettes de protection, un tablier en caoutchouc et des gants en caoutchouc lors du travail autour de la batterie. Le fluide d'électrolyte de la batterie est une solution d'acide sulfurique extrêmement corrosive qui peut causer des brûlures graves. En cas d'éclaboussure, rincer immédiatement la zone à l'eau claire.

REMARQUE :

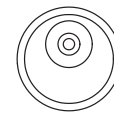
La batterie envoyée avec le générateur a été complètement chargée. Une batterie peut perdre une partie de sa charge lorsqu'elle n'est pas utilisée pendant des périodes prolongées. S'il est impossible de démarrer le moteur à l'aide de la batterie, brancher le chargeur de 12 V inclus dans la boîte d'accessoires (voir la section « Chargement de la batterie »). FAIRE FONCTIONNER LE GÉNÉRATEUR NE CHARGE PAS LA BATTERIE.

Utiliser la prise du chargeur de batterie afin de garder la batterie chargée et prête à l'emploi. Le chargement de la batterie doit être effectué dans un endroit sec.

1. Brancher le chargeur dans la prise jack « Entrée du chargeur de batterie », située sur le panneau de commande. Brancher l'extrémité de la prise de courant murale du chargeur de batterie dans une prise murale c.a. de 120 volts (Schéma 15).
2. Débrancher le chargeur de batterie de la prise murale et de la prise jack du panneau de commande lorsque le générateur va être utilisé.

Schéma 15 - Prise jack du chargeur de la batterie

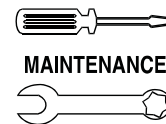
## BATTERIE



## ENTRÉE DU CHARGEUR

REMARQUE :

Ne pas utiliser le chargeur de batterie pendant plus de 48 heures consécutives.



### 3.1 PROGRAMME DE MAINTENANCE

Suivre les intervalles du calendrier. Un entretien plus fréquent est nécessaire lors du fonctionnement dans les conditions défavorables indiquées ci-dessous.

Vérifier le niveau d'huile	Lors de chaque utilisation
Changer l'huile ‡	* Toutes les 100 heures ou à chaque saison
Vérifier le jeu des soupapes	*** À chaque saison
Entretien du filtre à air	** Toutes les 200 heures ou à chaque saison
Remplacer la bougie d'allumage	À chaque saison

‡ Changer l'huile après les 30 premières heures de fonctionnement puis à chaque saison.

\* Changer l'huile et le filtre à huile tous les mois lors du fonctionnement sous une charge lourde ou à des températures élevées.

\*\* Nettoyer plus souvent dans des conditions de fonctionnement sales. Remplacer les pièces du filtre à air s'il est impossible de les nettoyer correctement.

\*\*\* Vérifier le jeu des soupapes et régler si nécessaire après les 50 premières heures de fonctionnement et toutes les 100 heures par la suite.

### 3.2 CARACTÉRISTIQUES TECHNIQUES DES PRODUITS

#### 3.2.1 CARACTÉRISTIQUES TECHNIQUES DU GÉNÉRATEUR

Puissance nominale .....	7/ 8 kW**
Puissance de surtension .....	8,7/ 12 kW
Tension c.a. nominale .....	120/240
Charge nominale c.a. max.	
Courant à 240 V (7/ 8 kW) .....	25 A/ 30 A**
Courant à 120 V .....	20 A**
Fréquence nominale .....	60 Hz à 3 600 RPM
Phase .....	Monophasée

\*\* Le wattage et le courant maximum sont soumis à, et limités par, ces facteurs tels que le contenu en Btu de carburant, la température ambiante, l'altitude, l'état du moteur, etc. La puissance maximale diminue d'environ 3,5 % pour chaque tranche de 1 000 pieds au-dessus du niveau de la mer ; et diminuera également d'environ 1 % pour chaque tranche de 6 °C (10 °F) au-dessus de 16 °C (60 °F) de température ambiante.

#### 3.2.2 CARACTÉRISTIQUES TECHNIQUES DU MOTEUR

Cheval-vapeur nominal à 3 600 RPM .....	14,5
Déplacement .....	410 cc
Type de bougie d'allumage .....	Champion RC14YC ou équivalent
Écartement de bougie d'allumage .....	0,030 pouces ou (0,76 mm)
Capacité d'essence .....	8 gallons U.S.
Type d'huile .....	Voir tableau dans la section « Ajout de l'huile de moteur »
Capacité d'huile .....	avec changement de filtre = 1,5 Qts. sans changement de filtre = 1,2 Qts.
Temps d'exécution/consommation d'essence -	
1/2 charge .....	10 heures / 0,8 gallons par heure
Certifié émission de catégorie II	

### 3.3 RECOMMANDATIONS GÉNÉRALES

La garantie du générateur ne couvre pas les éléments qui ont été soumis à un abus ou une négligence de l'opérateur. Afin de recevoir le montant total de la garantie, l'opérateur doit entretenir le générateur de la façon indiquée dans ce manuel.

Certains réglages doivent être effectués régulièrement pour entretenir correctement le générateur.

Tous les réglages de la section Maintenance de ce manuel doivent être effectués au moins une fois par saison. Respecter les exigences dans le tableau de « Programme de maintenance ».

#### REMARQUE :

**Une fois par an, remplacer la bougie d'allumage et le filtre à air. Une nouvelle bougie d'allumage et un filtre à air propre garantissent un bon mélange carburé et aide le moteur à mieux fonctionner et à durer plus longtemps.**

#### 3.3.1 MAINTENANCE DU GÉNÉRATEUR

La maintenance du générateur consiste à garder l'unité propre et sèche. Faire fonctionner et stocker l'unité dans un environnement sec et propre où il ne sera pas exposé à trop de poussières, de saletés, d'humidité ou de vapeurs corrosives. Les fentes de refroidissement du générateur ne doivent pas être obstruées par la neige, les feuilles ou tout autre corps étranger.

Vérifier régulièrement que le générateur est propre et nettoyer la poussière, les saletés, l'huile, l'eau ou les autres corps étrangers qui sont visibles sur sa surface extérieure.



**⚠ Ne jamais insérer d'objet ou d'outil dans les fentes de refroidissement, même si le moteur ne fonctionne pas.**

#### REMARQUE :

**NE PAS utiliser un tuyau d'arrosage pour nettoyer le générateur. L'eau peut entrer dans le système de carburant du moteur et causer des problèmes. En outre, si l'eau entre dans le générateur par les fentes de refroidissement, de l'eau restera dans les vides et les crevasses du bobinage d'isolement du rotor et du stator. L'accumulation d'eau et de saletés sur les bobinages internes du générateur diminuera potentiellement la résistance d'isolement de ces bobinages.**

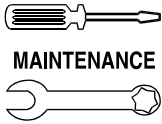
#### 3.3.2 NETTOYAGE DU GÉNÉRATEUR

- Utiliser un chiffon humide pour le nettoyage des surfaces externes.
- Il est possible d'utiliser une brosse douce en poils pour décoller les agglutinations de saletés, d'huile, etc.
- Un aspirateur pourra être utilisé pour récupérer les saletés et les débris.
- Un air projeté avec une faible pression (inférieur à 25 livres par pouce carré) pourra être utilisé pour souffler la saleté. Inspecter les fentes de refroidissement et les orifices du générateur. Ces orifices doivent être propres et non obstrués.

#### 3.3.3 MAINTENANCE DU MOTEUR



**⚠ Toujours débrancher le câble négatif de la batterie en cas de travail sur le générateur. Toujours débrancher les fils de bougie des bougies d'allumage et les tenir éloignés de celles-ci.**



## Section 3 — Maintenance

### Générateur portable

#### 3.3.4 VÉRIFICATION DU NIVEAU D'HUILE

Se reporter à la section « Avant le démarrage du générateur » pour plus d'informations sur la vérification du niveau d'huile. Le niveau d'huile doit être vérifié avant chaque utilisation, ou au minimum toutes les huit heures de fonctionnement. Il est nécessaire de conserver un certain niveau d'huile.

#### 3.3.5 CHANGEMENT DE L'HUILE

Changer l'huile après les 30 premières heures de fonctionnement. Changer l'huile toutes les 100 heures ou à chaque saison par la suite. Changer l'huile plus souvent en cas d'utilisation de cette unité dans un environnement sale ou poussiéreux, ou dans des températures très élevées.



**⚠ De l'huile chaude peut entraîner des brûlures. Laisser le moteur refroidir avant de vidanger l'huile. Éviter un contact prolongé ou répété de la peau avec de l'huile usagée. Laver minutieusement les zones exposées avec du savon.**

**Respecter les instructions suivantes pour changer l'huile alors que le moteur est encore chaud :**

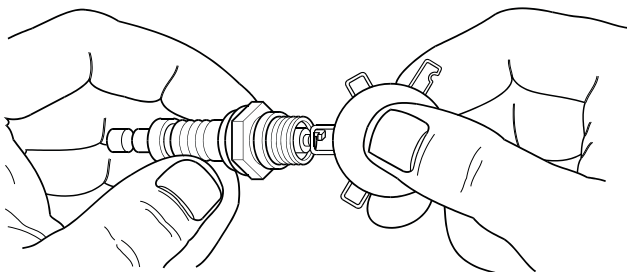
- Nettoyer la zone autour du tuyau de vidange d'huile.
- Retirer le bouchon de vidange d'huile du moteur et le bouchon pour le remplissage d'huile afin de vidanger toute l'huile dans un récipient adapté.
- Lorsque l'huile est totalement vidangée, revisser le bouchon de vidange d'huile et le resserrer solidement.
- Remplir le carter d'huile avec l'huile recommandée (voir la section « Avant le démarrage du générateur » pour les recommandations sur l'huile à utiliser).
- Nettoyer toute trace d'huile renversée.
- Éliminer l'huile usagée dans un centre de collecte approprié.

#### 3.3.6 REMPLACEMENT DES BOUGIES D'ALLUMAGE

Utiliser des bougies d'allumage Champion RC14YC ou équivalent. **Remplacer les bougies une fois par an.** Cela permettra un démarrage plus facile et un meilleur fonctionnement du moteur.

1. Arrêter le moteur et débrancher le fil de bougie de la bougie d'allumage.
2. Nettoyer la zone autour de la bougie d'allumage et la retirer de la culasse.
3. Régler l'écartement de bougie d'allumage à 0,70 - 0,80 mm (0,028 - 0,031 po.). Installer la bougie d'allumage correctement écartée dans la culasse (Schéma 17).

#### Schéma 17 - Écartement de la bougie d'allumage



#### 3.3.7 REMPLACEMENT DE LA BATTERIE

**REMARQUE :**

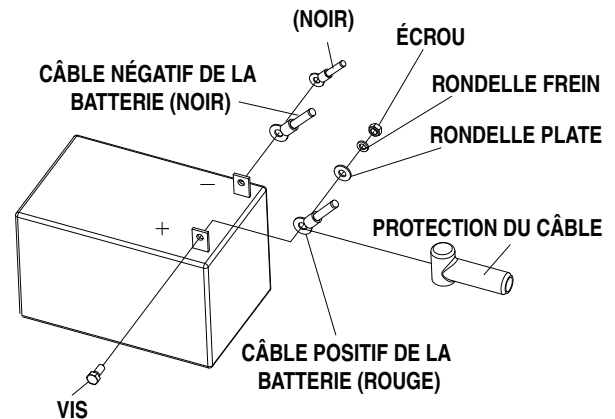
La batterie envoyée avec le générateur a été complètement chargée. Une batterie peut perdre une partie de sa charge lorsqu'elle n'est pas utilisée pendant des périodes prolongées. S'il est impossible de démarrer le moteur à l'aide de la batterie, brancher le chargeur de 12 V inclus dans la boîte d'accessoires (voir la section « Chargement de la batterie »). **FAIRE FONCTIONNER LE GÉNÉRATEUR NE CHARGE PAS LA BATTERIE.**



**⚠ La borne NÉGATIVE de la batterie doit :**

1. Toujours être DÉBRANCHÉE EN PREMIER.
2. Toujours être BRANCHÉE EN DERNIER.

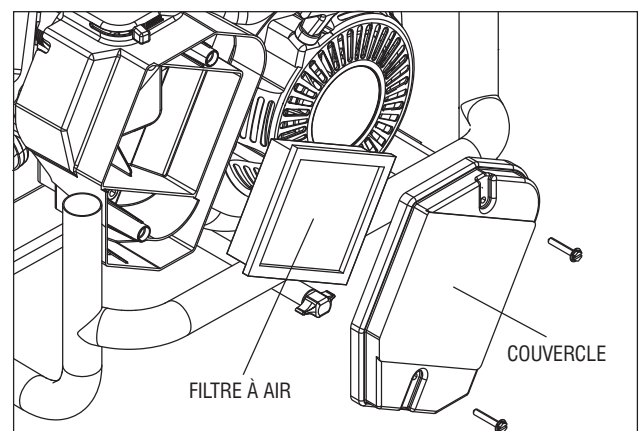
#### Schéma 18 - Branchements de la batterie

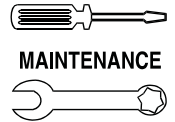


#### 3.4 ENTRETIEN DU FILTRE À AIR

Le moteur ne fonctionnera pas correctement et pourra être endommagé en cas d'utilisation d'un filtre à air sale. Nettoyer ou remplacer le papier du filtre à air une fois par an (Schéma 19). Il sera nécessaire de le nettoyer ou de le remplacer plus souvent en cas de fonctionnement dans des conditions de saleté.

#### Schéma 19 - Filtre à air





### Pour nettoyer ou remplacer le papier du filtre à air :

- Retirer le couvercle du filtre à air et retirer le filtre en papier.
- Nettoyer le filtre en papier en le tapant légèrement sur une surface solide. Si le filtre est trop sale, il est nécessaire de le remplacer. Jeter l'ancien filtre de manière adaptée.
- Nettoyer le couvercle du filtre à air, puis insérer le nouveau filtre en papier dans la base du filtre à air. Remettre le couvercle du filtre à air en place.

#### REMARQUE :

Pour commander un nouveau filtre à air, merci de contacter le centre d'entretien agréé le plus proche au 1-800-333-1322.

## 3.5 NETTOYAGE DE L'ÉCRAN PARE-ÉTINCELLES

Le silencieux du pot d'échappement du moteur est équipé d'un écran pare-étincelles. Inspecter et nettoyer l'écran au minimum une fois par an (Schéma 20). Si l'unité fonctionne régulièrement, inspecter et nettoyer l'écran plus souvent.

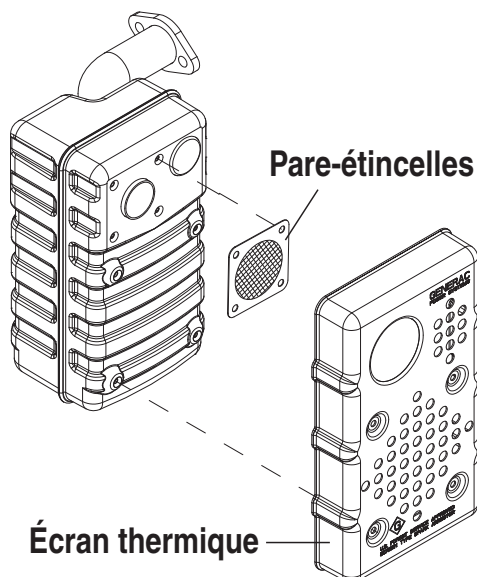
#### REMARQUE :

Si le générateur est utilisé sur un terrain brut couvert d'arbres, de buissons ou d'herbe, il devra être équipé d'un pare-étincelles. Le propriétaire / l'opérateur du générateur devra garder le pare-étincelles en bon état.

#### Nettoyer et inspecter le pare-étincelles de la manière suivante :

- Retirer l'écran thermique du pot d'échappement en retirant les quatre vis.
- Retirer le pare-étincelles du pot d'échappement en retirant les quatre vis.
- Inspecter l'écran et le remplacer s'il est tordu, perforé ou endommagé d'une quelconque autre façon. NE PAS UTILISER un écran défectueux. Si l'écran n'est pas endommagé, le nettoyer avec un solvant du commerce.
- Remplacer le pare-étincelles et l'écran thermique du pot d'échappement.

Schéma 20 - Pare-étincelles



## 3.6 RÉGLAGE DU JEU DES SOUPAPES

Vérifier le jeu des soupapes dans le moteur après les 50 premières heures de fonctionnement et l'ajuster si cela est nécessaire.

**IMPORTANT :** En cas de doute quant à la réalisation de cette procédure, ou d'absence des outils adaptés, merci de faire régler le jeu des soupapes du générateur dans le centre de réparation le plus proche. Il s'agit d'une étape très importante pour garantir la meilleure durée de vie du moteur.

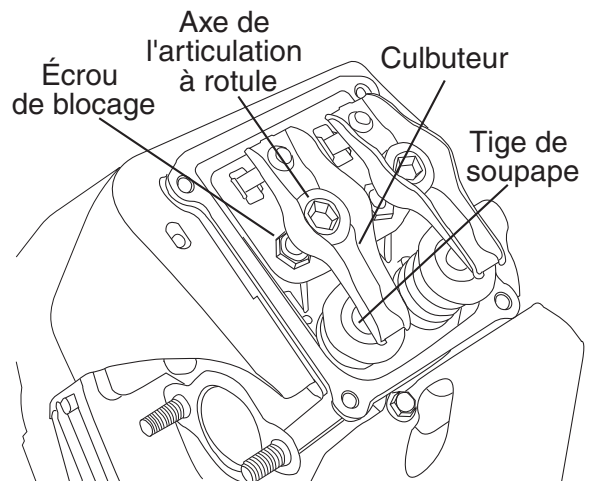
#### Pour vérifier le jeu des soupapes :

- S'assurer que le moteur est à température ambiante (entre 60 et 80 °F).
- S'assurer que le fil de bougie est débranché de la bougie d'allumage et ne gêne pas. Retirer la bougie d'allumage.
- Enlever les quatre vis retenant le coin de la soupape.
- S'assurer que le piston est au Point Mort Haut (PMH) de sa course de compression (les deux soupapes fermées). Pour mettre le piston au PMH, retirer la grille d'entrée devant le moteur afin d'accéder à l'écrou du volant. Utiliser une grande douille et une clé à pipe pour faire tourner l'écrou et donc le moteur dans le sens des aiguilles d'une montre tout en regardant le piston à travers le trou de la bougie d'allumage. Le piston doit monter et descendre. Le piston est au PMH lorsqu'il a atteint le point le plus haut de sa course.
- Insérer un calibre d'épaisseur de 0,002 - 0,004 pouces (0,05 - 0,1 mm) entre le culbuteur et la tige de soupape. Le jeu est correct lorsque l'on sent un léger glissement lors du déplacement du calibre vers l'avant et l'arrière. Si le jeu est trop lâche ou serré, il est nécessaire de régler les culbuteurs.

#### Pour régler le jeu des soupapes :

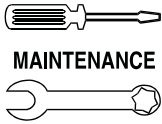
- Desserrer l'écrou de blocage du culbuteur (Schéma 21). Utiliser une clé hexagonale de 10 mm pour faire tourner l'axe de l'articulation à rotule tout en vérifiant le jeu entre le culbuteur et la tige de soupape avec un calibre d'épaisseur. Le jeu correct est de 0,002-0,004 pouces (0,05-0,1 mm).

Schéma 21 - Réglage du jeu des soupapes



#### REMARQUE :

L'écrou de blocage du culbuteur doit rester en place pendant que l'on fait tourner l'axe de l'articulation à rotule.



MAINTENANCE

## Section 3 — Maintenance

### Générateur portable

Lorsque le jeu des soupapes est correct, maintenir l'axe de l'articulation à rotule en place à l'aide de la clé hexagonale et resserrer l'écrou de blocage du culbuteur. Serrer l'écrou de blocage à un couple de 174 pouces-livres. Après avoir resserré l'écrou de blocage, vérifier le jeu des soupapes pour s'assurer qu'il n'a pas changé.

- Installer le nouveau joint de couvercle de soupape.
- Replacer le couvercle de soupape.

#### REMARQUE :

**Commencer à visser les quatre vis avant de les resserrer toutes, sinon il sera impossible de mettre toutes les vis. S'assurer que le joint du couvercle de soupape est en place. Remplacer la bougie d'allumage.**

- Rebrancher le fil de bougie à la bougie d'allumage.

### 3.7 STOCKAGE À LONG TERME

Pendant le stockage, il est important d'empêcher la formation de dépôts de gomme dans les pièces essentielles du circuit de carburant, telles que le carburateur, le tuyau pour combustible ou le réservoir. L'expérience montre également que les carburants à base d'alcool (appelés gazohol, éthanol ou méthanol) peuvent absorber l'humidité, ce qui entraîne une séparation et la formation d'acides pendant le stockage. Un gaz acide peut endommager le circuit de carburant d'un moteur pendant le stockage de celui-ci.

Afin d'éviter tout problème avec le moteur, le circuit de carburant doit être vidé avant le stockage du moteur si celui-ci est d'au moins 30 jours. Pour cela :

- Vidanger le réservoir d'essence de tout le carburant qu'il contient.



**DANGER**

**⚠ Vider l'essence dans des conteneurs adaptés situés à l'extérieur, loin de toute flamme nue. S'assurer que le moteur est froid. Ne pas fumer.**

- Démarrer et faire fonctionner le moteur jusqu'à ce qu'il s'arrête suite à une panne d'essence.
- Laisser le moteur refroidir, puis vider l'huile du carter. Remplir jusqu'au niveau recommandé.
- Retirer la bougie d'allumage et verser environ 0,5 onces (15 ml) d'huile pour moteur dans le cylindre. Couvrir le trou de la bougie d'allumage avec un chiffon. Tirer plusieurs fois le lanceur à rappel pour lubrifier les segments de piston et l'alésage du cylindre.



**ATTENTION**

**⚠ Éviter d'asperger à partir des trous de la bougie d'allumage lorsque le moteur tourne.**

- Remettre et serrer la bougie d'allumage. Ne pas brancher le fil de bougie.
- Nettoyer les surfaces externes du générateur. Vérifier que les fentes de refroidissement et les orifices du générateur sont ouverts et non obstrués.

### 3.8 AUTRES CONSEILS DE STOCKAGE

- Ne pas stocker l'essence d'une saison sur l'autre.
- Remplacer le bidon d'essence s'il commence à rouiller. De la rouille et / ou de la saleté dans l'essence entraîneront des problèmes dans le carburateur et le circuit de carburant.
- Si cela est possible, stocker l'unité à l'intérieur et le recouvrir afin de le protéger de la saleté et de la poussière. **S'ASSURER DE VIDER LE RÉSERVOIR D'ESSENCE.**
- S'il n'est pas possible de vider le réservoir d'essence et que l'unité est rangée pendant une longue période, ajouter un stabilisateur d'essence (disponible dans le commerce) à l'essence afin d'augmenter la durée de vie de l'essence.
- Couvrir l'unité avec une protection adaptée ne retenant pas l'humidité.



**DANGER**

**⚠ NE JAMAIS couvrir le générateur alors que le moteur et la zone du pot d'échappement sont chauds.**



## 4.1 GUIDE DE DÉPANNAGE

PROBLÈME	CAUSE	SOLUTION
<b>Le moteur tourne, mais aucun courant alternatif n'est produit.</b>	<ol style="list-style-type: none"> <li>1. Disjoncteur est ouvert.</li> <li>2. Cordon mal branché ou défectueux.</li> <li>3. Dispositif branché défectueux.</li> <li>4. Erreur au niveau du générateur.</li> </ol>	<ol style="list-style-type: none"> <li>1. Réarmer le disjoncteur.</li> <li>2. Vérifier et réparer.</li> <li>3. Brancher un autre dispositif en bon état.</li> <li>4. Contacter un centre d'entretien agréé.</li> </ol>
<b>Le moteur fonctionne bien mais connaît des défaillances lorsque des charges sont branchées.</b>	<ol style="list-style-type: none"> <li>1. Court-circuit dans l'une des charges branchées.</li> <li>2. Surcharge du générateur.</li> <li>3. Vitesse du moteur trop faible.</li> <li>4. Court-circuit du générateur.</li> </ol>	<ol style="list-style-type: none"> <li>1. Débrancher la charge électrique court-circuitée.</li> <li>2. Voir la section « Ne pas surcharger le générateur ».</li> <li>3. Contacter un centre d'entretien agréé.</li> <li>4. Contacter un centre d'entretien agréé.</li> </ol>
<b>Le moteur ne démarre pas, ou démarre et connaît des défaillances.</b>	<ol style="list-style-type: none"> <li>1. La soupape d'arrêt est sur OFF (Arrêt).</li> <li>2. Filtre à air sale.</li> <li>3. Panne d'essence.</li> <li>4. Essence viciée.</li> <li>5. Fil de bougie débranché de la bougie d'allumage.</li> <li>6. Bougie d'allumage défectueuse.</li> <li>7. Présence d'eau dans l'essence.</li> <li>8. Sur-étranglement des gaz.</li> <li>9. Niveau d'huile faible.</li> <li>10. Mélange d'essence trop riche.</li> <li>11. Soupape d'admission bloquée en position ouverte ou fermée.</li> <li>12. Perte de compression du moteur.</li> </ol>	<ol style="list-style-type: none"> <li>1. Mettre la soupape d'arrêt sur ON (Marche).</li> <li>2. Nettoyer ou remplacer le filtre à air.</li> <li>3. Remplir le réservoir d'essence.</li> <li>4. Vidanger le réservoir d'essence et le remplir avec de l'essence nouvelle.</li> <li>5. Brancher le fil à la bougie d'allumage.</li> <li>6. Remplacer la bougie d'allumage.</li> <li>7. Vidanger le réservoir d'essence et le remplir avec de l'essence nouvelle.</li> <li>8. Placer le levier d'étrangleur sur la position <b>No Choke</b> (Aucun étrangleur).</li> <li>9. Remplir le carter jusqu'au niveau nécessaire.</li> <li>10. Contacter un centre d'entretien agréé.</li> <li>11. Contacter un centre d'entretien agréé.</li> <li>12. Contacter un centre d'entretien agréé.</li> </ol>
<b>Le moteur s'arrête pendant le fonctionnement.</b>	<ol style="list-style-type: none"> <li>1. Panne d'essence.</li> <li>2. Niveau d'huile faible.</li> <li>3. Erreur au niveau du moteur.</li> </ol>	<ol style="list-style-type: none"> <li>1. Remplir le réservoir d'essence.</li> <li>2. Remplir le carter jusqu'au niveau nécessaire.</li> <li>3. Contacter un centre d'entretien agréé.</li> </ol>
<b>Moteur pas assez puissant.</b>	<ol style="list-style-type: none"> <li>1. Charge trop élevée.</li> <li>2. Filtre à air sale.</li> <li>3. Réparation nécessaire du moteur.</li> </ol>	<ol style="list-style-type: none"> <li>1. Diminuer la charge (voir la section « Ne pas surcharger le générateur »).</li> <li>2. Nettoyer ou remplacer le filtre à air.</li> <li>3. Contacter un centre d'entretien agréé.</li> </ol>
<b>À-coups ou déclin du moteur.</b>	<ol style="list-style-type: none"> <li>1. Étrangleur ouvert trop tôt.</li> <li>2. Mélange trop riche ou trop pauvre dans le carburateur.</li> </ol>	<ol style="list-style-type: none"> <li>1. Placer le levier d'étrangleur à mi-chemin jusqu'à ce que le moteur fonctionne correctement.</li> <li>2. Contacter un centre d'entretien agréé.</li> </ol>



## Section 5 – Garantie

### Générateur portable

#### **GARANTIE LIMITÉE DE DEUX ANS DE GENERAC POWER SYSTEMS POUR LES GÉNÉRATEURS PORTABLES SÉRIE GP**

La société Generac Power Systems, Inc. (Generac) garantit que, pendant une période de deux années à compter de la date d'achat d'origine, ses générateurs série GP ne présenteront aucun défaut matériel ni de fabrication pour les éléments et la période mentionnée ci-après. Generac réparera ou remplacera, comme il le jugera nécessaire, toute pièce jugée défectueuse après un examen, une inspection et un test réalisés par Generac ou un dépositaire de service de garantie agréé par Generac. Tout équipement déclaré défectueux par l'acquéreur / le propriétaire doit être retourné et examiné par le dépositaire de service de garantie agréé par Generac le plus proche. Tous les frais d'envoi à payer dans le cadre de la garantie, dont le retour à l'usine, seront supportés et payés à l'avance par l'acquéreur / le propriétaire. Cette garantie ne s'applique qu'aux générateurs portables de la série GP et n'est pas transférable par l'acquéreur d'origine. Il est conseillé de conserver les preuves d'achat. Si vous ne fournissez pas de preuve de la date d'achat d'origine, la date d'envoi du produit par son fabricant servira à déterminer la période de garantie.

#### **PROGRAMME DE GARANTIE**

Les applications des clients sont garanties pendant deux (2) ans. Les applications commerciales et de location sont garanties pendant un (1) an ou 1 000 heures maximum, à la première des deux dates.

#### **APPLICATION DES CLIENTS**

ANNÉES UNE et DEUX – couverture à 100 % (cent pour cent) pour la main d'œuvre et la/les pièce(s) listées (il est nécessaire de présenter une preuve d'achat et de maintenance) :

- Moteur - tous les composants
- Alternateur - tous les composants

#### **APPLICATIONS COMMERCIALES / DE LOCATION**

ANNÉES UNE – couverture à 100 % (cent pour cent) pour la main d'œuvre et la/les pièce(s) listées (il est nécessaire de présenter une preuve d'achat et de maintenance) :

- Moteur - tous les composants
- Alternateur - tous les composants

**REMARQUE :** Aux fins de la présente garantie, « utilisation du consommateur » désigne une utilisation ménagère personnelle ou récréative de la part de l'acquéreur d'origine. La présente garantie ne s'applique pas aux unités utilisées pour de l'énergie primaire au lieu du réseau lorsque le réseau électrique principal est présent ou n'existe normalement pas. Une fois que le générateur a été utilisé de manière commerciale ou locative, il sera considéré par la suite comme un générateur à utilisation non personnelle dans le cadre de la présente garantie.

Toutes les indemnités de garantie sont soumises aux conditions définies dans le manuel des politiques, procédures et tarifs forfaitaires de garantie de Generac.

#### **LA PRÉSENTE GARANTIE NE S'APPLIQUE PAS AUX ÉLÉMENTS SUIVANTS :**

- Les générateurs portables construits par Generac avant mai 2008.
- Les générateurs portables Generac utilisant des pièces de rechange ne provenant pas de Generac.
- Les coûts de maintenance et des modifications normales.
- Les défaillances entraînées par de l'essence ou de l'huile contaminée, ou par l'utilisation de niveaux d'huile non appropriés.
- Les réparations ou diagnostics réalisés par des dépositaires non agréés par Guardian / Generac et non autorisés par écrit par Generac Power Systems.
- Les défaillances dues, sans s'y limiter, à l'usure normale, à des accidents, mauvaises utilisations, usages abusifs, négligence ou utilisation inadaptée. Comme pour tous les dispositifs mécaniques, les moteurs Generac nécessitent une réparation et un remplacement périodiques de leurs pièces pour fonctionner comme prévu. La présente garantie ne couvre pas les réparations lorsque le problème de la ou les pièce(s) ou du moteur découle d'une utilisation normale.
- Les défaillances causées par toute cause extérieure ou tout cas de force majeure, tel qu'un choc, un vol, un acte de vandalisme, une émeute, une guerre, un holocauste nucléaire, un incendie, un gel, la foudre, un séisme, une tempête, la grêle, une éruption volcanique, l'eau ou une inondation, une tornade ou un ouragan.
- Les dommages dus à des rongeurs et / ou insectes.
- Les produits modifiés ou altérés d'une façon n'ayant pas été autorisée par écrit par Generac.
- Les dommages accessoires, importants ou indirects causés par des défaillances matérielles ou de fabrication, ou par tout retard de réparation ou de remplacement de la ou des pièce(s) défectueuses.
- Les défaillances dues à une mauvaise application.
- Les frais de téléphone, de téléphone portable, de fax, d'accès à Internet ou d'autres moyens de communication.
- Les frais d'hébergement ou de transport de la ou des personne(s) réalisant l'entretien, sauf si cela est spécifiquement inclus dans les termes d'une période de garantie d'une unité spécifique.
- Les dépenses liées à l'instruction du client ou au dépannage lorsqu'aucun défaut n'est détecté.
- Les équipements loués utilisés pendant la réalisation des réparations dans le cadre de la garantie.
- Les frais de transport de nuit ou d'envoi spécial de la ou des pièce(s) de rechange.
- Les heures supplémentaires, le travail de jour férié ou en urgence de la main d'œuvre.
- Les batteries de démarrage, fusibles, ampoules et fluides du moteur.

LA PRÉSENTE GARANTIE REMPLACE TOUTES LES AUTRES GARANTIES, IMPLICITES OU EXPLICITES. EN PARTICULIER, GENERAC N'ÉMET AUCUNE GARANTIE DE CONFORMITÉ OU D'USAGE POUR UN OBJECTIF PARTICULIER. Certains états ne permettent pas de poser une limite à la durée de la garantie implicite, la limite susmentionnée ne s'applique donc pas à ces derniers. GENERAC NE SERA RESPONSABLE QUE DE LA RÉPARATION OU DU REMPLACEMENT DE LA OU DES PIÈCES TEL QUE SUSMENTIONNÉ. EN AUCUN CAS GENERAC NE POURRA ÊTRE TENU RESPONSABLE DE TOUT DOMMAGE ACCESSOIRE OU IMPORTANT, MÊME SI CE DOMMAGE DÉCOULE DIRECTEMENT D'UNE NÉGLIGENCE DE GENERAC. Certains états ne permettent pas d'exclure ou de poser une limite aux dommages accessoires ou importants, la limite susmentionnée ne s'applique donc pas à ces derniers. La présente garantie vous confère des droits juridiques spécifiques. Votre état vous confère également d'autres droits.

**GENERAC POWER SYSTEMS, INC.**

**P.O. BOX 8 • Waukesha, WI 53187**

**Tél. : (888) GENERAC (436-3722) • Fax : (262) 544-4851**

**Pour localiser le dépositaire le plus proche, visitez notre site Internet [www.generac.com](http://www.generac.com)**



## Free Manuals Download Website

<http://myh66.com>

<http://usermanuals.us>

<http://www.somanuals.com>

<http://www.4manuals.cc>

<http://www.manual-lib.com>

<http://www.404manual.com>

<http://www.luxmanual.com>

<http://aubethermostatmanual.com>

Golf course search by state

<http://golfingnear.com>

Email search by domain

<http://emailbydomain.com>

Auto manuals search

<http://auto.somanuals.com>

TV manuals search

<http://tv.somanuals.com>