

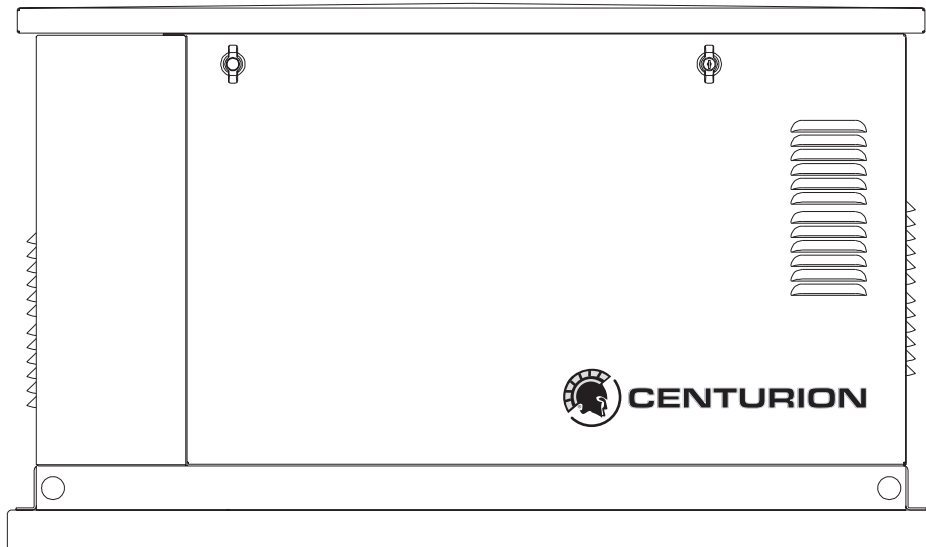


CENTURION

Installation and Owner's Manual

**Air-cooled, Prepackaged
Automatic Standby Generators**

**Models:
004692-2 (8.5 kW)**



This manual should remain with the unit.



**Not intended for use as Primary Power in place of utility or
in life-support applications.**



— ⚠ DANGER ⚠ —

DEADLY EXHAUST FUMES. OUTDOOR INSTALLATION ONLY!!

INTRODUCTION

Thank you for purchasing this model of the Centurion product line by Generac Power Systems Inc. This model is a compact, high performance, air-cooled, engine-driven generator designed to automatically supply electrical power to operate critical loads during a utility power failure.

This unit is factory installed in an all-weather, metal enclosure that is intended exclusively for outdoor installation. This generator will operate using either vapor withdrawn liquid propane (LP) or natural gas (NG).

◆ READ THIS MANUAL THOROUGHLY

If any portion of this manual is not understood, contact the nearest Generac Authorized Dealer for starting, operating and servicing procedures.

Throughout this publication, and on tags and decals affixed to the generator, DANGER, WARNING, CAUTION and NOTE blocks are used to alert personnel to special instruction about a particular operation that may be hazardous if performed incorrectly or carelessly. Observe them carefully. Their definitions are as follows:



After this heading, read instructions that, if not strictly complied with, will result in personal injury, including serious injury and/or death or property damage.



After this heading, read instructions that, if not strictly complied with, may result in personal injury or property damage.




After this heading, read instructions that, if not strictly complied with, could result in damage to equipment and/or property.

NOTE:

After this heading, read explanatory statements that require special emphasis.

These safety warnings cannot eliminate the hazards that they indicate. Common sense and strict compliance with the special instructions while performing the service are essential to preventing accidents.

Four commonly used safety symbols accompany the DANGER, WARNING and CAUTION blocks. The type of information each indicates follows:

 This symbol points out important safety information that, if not followed, could endanger personal safety and/or property of others.

 This symbol points out potential explosion hazard.

 This symbol points out potential fire hazard.

 This symbol points out potential electrical shock hazard.

Generac® Power Systems, Inc.

The operator is responsible for proper and safe use of the equipment. We strongly recommend that the operator read this *Owner's Manual* and thoroughly understand all instructions before using this equipment. We also strongly recommend instructing other users to properly start and operate the unit. This prepares them if they need to operate the equipment in an emergency.

◆ CONTENTS

This manual contains pertinent owner's information, including warranty, electrical diagrams, exploded views and lists of repair parts, for Centurion model:

- 004692-2 – 8.5 kW NG, 8.5 kW LP, V-twin GT-990 Engine

◆ OPERATION AND MAINTENANCE

It is the operator's responsibility to perform all safety checks, to make sure that all maintenance for safe operation is performed promptly, and to have the equipment checked periodically by a Generac Authorized Dealer. Normal maintenance service and replacement of parts are the responsibility of the owner/operator and, as such, are not considered defects in materials or workmanship within the terms of the warranty. Individual operating habits and usage contribute to the need for maintenance service.

Proper maintenance and care of the generator ensures a minimum number of problems and keep operating expenses at a minimum. See a Generac Authorized Dealer for service aids and accessories.

◆ HOW TO OBTAIN SERVICE

When the generator requires servicing or repairs, simply contact a Generac Authorized Dealer for assistance. Service technicians are factory-trained and are capable of handling all of service needs.

When contacting a Generac Authorized Dealer about parts and service, always supply the complete model number and serial number of the unit as given on its data decal, which is located on the generator. See Figure 1.2 or Figure 1.3 in Section 1.4 for decal location.

Model No. _____ Serial No. _____

AUTHORIZED DEALER LOCATION

To locate the nearest GENERAC AUTHORIZED
DEALER, please call this number:

1-800-333-1322

DEALER LOCATION INFORMATION
CAN BE OBTAINED AT THIS NUMBER.

IntroductionInside Front Cover

Read This Manual ThoroughlyIFC
 ContentsIFC
 Operation and MaintenanceIFC
 How to Obtain ServiceIFC
 Authorized Dealer Locator NumberIFC

Safety Rules2

Standards Index3

Section 1 – General Information4

1.1 Unpacking/Inspection4
 1.2 Protection Systems4
 1.3 NEC Requirement for Arc Fault Circuit Interruption Breaker for Bedrooms4
 1.3.1 Section 210.12 Arc Fault Circuit Interrupter Protection4
 1.4 The Generator5
 1.5 Specifications6
 1.5.1 Generator6
 1.5.2 Engine6
 1.6 System Set LED7
 1.7 Fuel Requirements and Recommendations7
 1.8 Fuel Consumption7
 1.9 Reconfiguring the Fuel System7
 1.10 Location8
 1.10.1 Generator8
 1.10.2 Transfer Switch8
 1.11 Battery Installation8
 1.12 The Battery9

Section 2 – Post Installation Start-up and Adjustments10

2.1 Before Initial Startup10
 2.2 Check Transfer Switch Operation10
 2.3 Electrical Checks10
 2.4 Generator Tests Under Load11
 2.5 Checking Automatic Operation11
 2.6 Adjusting the Regulator (Natural Gas Only)11
 2.7 Engine Governor Adjustment12
 2.7.1 Additional Corrosion Protection13
 2.8 Voltage Regulator Adjustment13

Section 3 – Operation13

3.1 Break-in Procedure13
 3.2 Using the AUTO/OFF/MANUAL Switch13
 3.2.1 “Auto” Position13

3.2.2 “Off” Position14
 3.2.3 “Manual” Position14
 3.3 Automatic Transfer Operation14
 3.4 Sequence of Automatic Operation14
 3.5 Manual Transfer Operation14
 3.5.1 Transfer to Generator Power Source14
 3.5.2 Transfer Back to Utility Power Source15
 3.6 Setting the Exercise Timer15
 3.7 Protection Systems16
 3.7.1 Low Oil Pressure Switch16
 3.7.2 High Temperature Switch16
 3.7.3 Overcrank16
 3.7.4 Overspeed16

Section 4 – Maintenance16

4.1 Fuse16
 4.2 Checking the Engine Oil Level16
 4.3 Changing the Engine Oil17
 4.3.1 Engine Oil Recommendations17
 4.3.2 Oil Change Procedure17
 4.4 Changing the Oil Filter17
 4.5 Changing the Engine Air Cleaner17
 4.5.1 8.5kW Generators17
 4.6 Spark Plug(s)18
 4.7 Battery Maintenance18
 4.8 Adjusting Valve Clearance19
 4.9 Cooling System19
 4.10 Attention After Submersion20
 4.11 Out of Service Procedure20
 4.11.1 Removal From Service20
 4.11.2 Return to Service20
 4.12 Corrosion Protection20
 4.13 Service Schedule21

Section 5 – Troubleshooting22

5.1 Troubleshooting Guide22

Section 6 – Mounting Dimensions23

Section 7 – Electrical Data24

Section 8 – Exploded Views and Parts Lists32

Section 9 – Notes46

Section 10 – Warranty48



SAVE THESE INSTRUCTIONS – The manufacturer suggests that these rules for safe operation be copied and posted near the unit's installation site. Safety should be stressed to all operators and potential operators of this equipment.

**WARNING:**

The engine exhaust from this product contains chemicals known to the state of California to cause cancer, birth defects or other reproductive harm.

**WARNING:**

This product contains or emits chemicals known to the state of California to cause cancer, birth defects or other reproductive harm.

Study these SAFETY RULES carefully before installing, operating or servicing this equipment. Become familiar with this *Owner's Manual* and with the unit. The generator can operate safely, efficiently and reliably only if it is properly installed, operated and maintained. Many accidents are caused by failing to follow simple and fundamental rules or precautions.

Generac cannot possibly anticipate every possible circumstance that might involve a hazard. The warnings in this manual, and on tags and decals affixed to the unit are, therefore, not all-inclusive. If using a procedure, work method or operating technique Generac does not specifically recommend, satisfy yourself that it is safe for others. Also make sure the procedure, work method or operating technique chosen does not render the generator unsafe.

— **DANGER** —

Despite the safe design of this generator, operating this equipment imprudently, neglecting its maintenance or being careless can cause possible injury or death. Permit only responsible and capable persons to operate or maintain this equipment.



Potentially lethal voltages are generated by these machines. Ensure all steps are taken to render the machine safe before attempting to work on the generator.



Parts of the generator are rotating and/or hot during operation. Exercise care near running generators.

**GENERAL HAZARDS**

- For safety reasons, Generac recommends that the installation, initial start-up and maintenance of this equipment is carried out by a Generac Authorized Dealer.
- The engine exhaust fumes contain carbon monoxide, which can be DEADLY. This dangerous gas, if breathed in sufficient concentrations, can cause unconsciousness or even death. This exhaust system must be installed properly, in strict compliance with applicable codes and standards. Following installation, do nothing that might render the system unsafe or in noncompliance with such codes and standards.
- Keep hands, feet, clothing, etc., away from drive belts, fans, and other moving or hot parts. Never remove any drive belt or fan guard while the unit is operating.
- Adequate, unobstructed flow of cooling and ventilating air is critical to correct generator operation. Do not alter the installation or permit even partial blockage of ventilation provisions, as this can seriously affect safe operation of the generator. The generator **MUST** be installed outdoors.
- When working on this equipment, remain alert at all times. Never work on the equipment when physically or mentally fatigued.
- Inspect the generator regularly, and contact the nearest Generac Authorized Dealer for parts needing repair or replacement.
- Before performing any maintenance on the generator, disconnect its battery cables to prevent accidental start up. Disconnect the cable from the battery post indicated by a **NEGATIVE**, **NEG** or **(-)** first. Reconnect that cable last.
- Never use the generator or any of its parts as a step. Stepping on the unit can stress and break parts, and may result in dangerous operating conditions from leaking exhaust gases, fuel leakage, oil leakage, etc.



 ELECTRICAL HAZARDS 

- All generators covered by this manual produce dangerous electrical voltages and can cause fatal electrical shock. Utility power delivers extremely high and dangerous voltages to the transfer switch as does the standby generator when it is in operation. Avoid contact with bare wires, terminals, connections, etc., while the unit is running. Ensure all appropriate covers, guards and barriers are in place before operating the generator. If work must be done around an operating unit, stand on an insulated, dry surface to reduce shock hazard.
- Do not handle any kind of electrical device while standing in water, while barefoot, or while hands or feet are wet. **DANGEROUS ELECTRICAL SHOCK MAY RESULT.**
- The National Electrical Code (NEC) requires the frame and external electrically conductive parts of the generator to be connected to an approved earth ground. Local electrical codes also may require proper grounding of the generator electrical system.
- After installing this home standby electrical system, the generator may crank and start at any time without warning. When this occurs, load circuits are transferred to the STANDBY (generator) power source. To prevent possible injury if such a start and transfer occur, always set the generator's AUTO/OFF/MANUAL switch to its OFF position before working on equipment and remove the fuse.
- In case of accident caused by electric shock, immediately shut down the source of electrical power. If this is not possible, attempt to free the victim from the live conductor. **AVOID DIRECT CONTACT WITH THE VICTIM.** Use a nonconducting implement, such as a rope or board, to free the victim from the live conductor. If the victim is unconscious, apply first aid and get immediate medical help.
- Never wear jewelry when working on this equipment. Jewelry can conduct electricity resulting in electric shock, or may get caught in moving components causing injury.

 FIRE HAZARDS 

- For fire safety, the generator must be installed and maintained properly. Installation always must comply with applicable codes, standards, laws and regulations. Adhere strictly to local, state and national electrical and building codes. Comply with regulations the Occupational Safety and Health Administration (OSHA) has established. Also, ensure that the generator is installed in accordance with the manufacturer's instructions and recommendations. Following proper installation, do nothing that might alter a safe installation and render the unit in noncompliance with the aforementioned codes, standards, laws and regulations.

- Keep a fire extinguisher near the generator at all times. Extinguishers rated "ABC" by the National Fire Protection Association are appropriate for use on the standby electric system. Keep the extinguisher properly charged and be familiar with its use. If there are any questions pertaining to fire extinguishers, consult the local fire department.

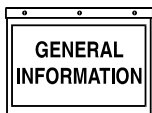
 EXPLOSION HAZARDS 

- Do not smoke around the generator. Wipe up any fuel or oil spills immediately. Ensure that no combustible materials are left in the generator compartment, or on or near the generator, as FIRE or EXPLOSION may result. Keep the area surrounding the generator clean and free from debris.
- Gaseous fluids such as natural gas and liquid propane (LP) gas are extremely EXPLOSIVE. Install the fuel supply system according to applicable fuel-gas codes. Before placing the home standby electric system into service, fuel system lines must be properly purged and leak tested according to applicable code. After installation, inspect the fuel system periodically for leaks. No leakage is permitted.

◆ STANDARDS INDEX

In the absence of pertinent standards, codes, regulations and laws, the published information listed below may be used as installation guide for this equipment.

1. NFPA No. 37, STATIONARY COMBUSTION ENGINES AND GAS TURBINES, available from the National Fire Protection Association, 470 Atlantic Avenue, Boston, MA 02210.
2. NFPA No. 76A, ESSENTIAL ELECTRICAL SYSTEMS FOR HEALTH CARE FACILITIES, available same as Item 1.
3. NFPA No. 54, NATIONAL FUEL GAS CODE, available same as Item 1.
4. NFPA No. 58, AMERICAN NATIONAL STANDARD FOR STORAGE AND HANDLING OF LIQUEFIED PETROLEUM GAS, available same as Item 1.
5. NFPA No. 70, NFPA HANDBOOK OF NATIONAL ELECTRIC CODE, available same as Item 1.
6. Article X, NATIONAL BUILDING CODE, available from the American Insurance Association, 85 John Street, New York, N.Y. 10038.
7. AGRICULTURAL WIRING HANDBOOK, available from the Food and Energy Council, 909 University Avenue, Columbia, MO 65201.
8. ASAE EP-3634, INSTALLATION AND MAINTENANCE OF FARM STANDBY ELECTRICAL SYSTEMS, available from the American Society of Agricultural Engineers, 2950 Niles Road, St. Joseph, MI 49085.
9. NFPA No. 30, FLAMMABLE AND COMBUSTIBLE LIQUIDS CODE, available same as Item 1.



Section 1 – General Information

Air-cooled 8.5 kW Generator



- ⚠ Only qualified electricians or contractors should attempt such installations, which must comply strictly with applicable codes, standards and regulations.

1.1 UNPACKING/INSPECTION

After unpacking, carefully inspect the contents for damage.

- This standby generator set has been factory supplied with a weather protective enclosure that is intended for **outdoor installation only**.
- This standby generator set is packaged with an automatic transfer switch with built in load center. The combination transfer switch and load center is pre-wired with a 2 foot and 30 foot conduit. Circuit breakers for emergency circuit connections are included.
- This UL listed, NEMA 1, 2-pole switch is rated at 100 AC amperes at 250 volts maximum. **This transfer switch is for indoor use only.**



- ⚠ If this generator is used to power electrical load circuits normally powered by a utility power source, it is required by code to install a transfer switch. The transfer switch must effectively isolate the electrical system from the utility distribution system when the generator is operating (NEC 700, 701, and 702). Failure to isolate an electrical system by such means will result in damage to the generator and also may result in injury or death to utility power workers due to backfeed of electrical energy.

If any loss or damage is noted at time of delivery, have the person(s) making the delivery note all damage on the freight bill or affix his or her signature under the consignor's memo of loss or damage.

If a loss or damage is discovered after delivery, separate the damaged materials and contact the carrier for claim procedures.

“Concealed damage” is understood to mean damage to the contents of a package that is not in evidence at the time of delivery, but is discovered later.

1.2 PROTECTION SYSTEMS

Unlike an automobile engine, the generator may have to run for long periods of time with no operator present to monitor engine conditions. For that reason, the engine is equipped with the following systems that protect it against potentially damaging conditions:

1. Low Oil Pressure Sensor
2. High Temperature Sensor
3. Overcrank
4. Overspeed

There are LED readouts on the control panel to notify personnel that one of these faults has occurred.

1.3 NEC REQUIREMENT FOR ARC FAULT CIRCUIT INTERRUPTION BREAKER FOR BEDROOMS

The 2002 National Electric Code (NEC) introduced a requirement for new construction. This new requirement indicates the need for Arc Fault Circuit Interrupters to be used to protect the complete branch circuit that feeds a dwelling bedroom. The actual NEC requirement is indicated below.

◆ 1.3.1 SECTION 210.12 ARC FAULT CIRCUIT INTERRUPTER PROTECTION

1. Definition: An arc fault circuit interrupter is a device intended to provide protection from the effects of arc faults by recognizing characteristics unique to arcing and by functioning to de-energize the circuit when an arc fault is detected.
2. Dwelling Unit Bedrooms: All branch circuits that supply 125 volt, single-phase, 15 and 20 ampere outlets installed in dwelling unit bedrooms shall be protected by an arc fault circuit interrupter listed to provide protection of the entire branch circuit.

Section 210.12 requires that AFCI protection be provided on branch circuits that supply outlets (receptacle, lighting, etc.) in dwelling bedrooms. The requirement is limited to 15 and 20 ampere, 125 volt circuits. There is no prohibition against providing AFCI protection on other circuits or in locations other than bedrooms. Because circuits are often shared between a bedroom and other areas such as closets and hallways, providing AFCI protection on the complete circuit would comply with 210.12.

If during the installation of the Guardian Home Standby system the decision is made to provide back up power to a bedroom branch circuit, then the circuit breaker in the Guardian Transfer Switch should be replaced with an Arc Fault Circuit Interrupter.

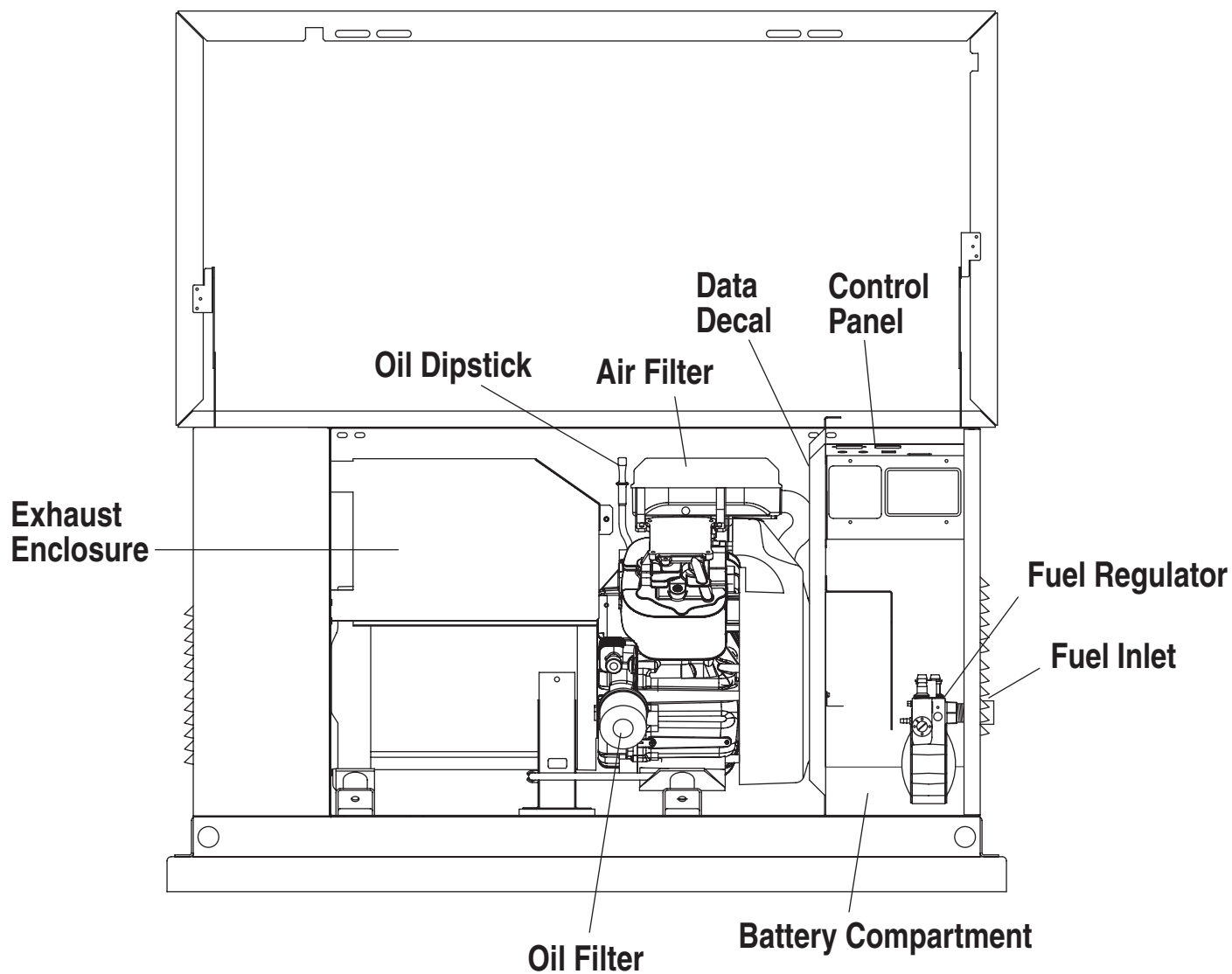
It is most important that breakers only be switched like for like. For instance, if replacing a 15A breaker, it MUST be replaced with a 15A AFCI breaker. Likewise, a 20A breaker MUST be replaced with a 20A AFCI.

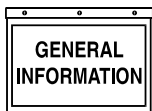
These AFCI breakers are available at the nearest hardware store.

| <u>Siemens Item #</u> | <u>Description</u> |
|-----------------------|----------------------|
| Q115AF | 15A Single Pole AFCI |
| Q120AF | 20A Single Pole AFCI |

1.4 THE GENERATOR

Figure 1.1 – 8.5 kW, V-Twin GT-990/760 Engine





Section 1 – General Information

Air-cooled 8.5 kW Generator

1.5 SPECIFICATIONS

◆ 1.5.1 GENERATOR

| | Model 004692 |
|---|--|
| Rated Max. Continuous Power Capacity (Watts*) | 8,500 NG/8,500 LP |
| Rated Voltage | 120/240 |
| Rated Max. Continuous Load Current (Amps) | |
| 120 Volts | 70.8 NG/70.8 LP |
| 240 Volts | 35.4 NG/35.4 LP |
| Main Line Circuit Breaker | 40 Amp |
| Phase | 1 |
| Number of Rotor Poles | 2 |
| Rated AC Frequency | 60 Hz |
| Power Factor | 1 |
| Battery Requirement at -17.8° C (0° F) | Group 26/26R 12 Volts and 525 Cold-cranking Amperes Minimum |
| Weight | 470 Pounds |
| Output Sound Level | 68 db (A) |
| Normal Operating Range | -20°F (28.8°C to 104°F (40°C) |

* Maximum wattage and current are subject to and limited by such factors as fuel Btu content, ambient temperature, altitude, engine power and condition, etc. Maximum power decreases about 3.5 percent for each 1,000 feet above sea level; and also will decrease about 1 percent for each 6° C (10° F) above 16° C (60° F) ambient temperature.

◆ 1.5.2 ENGINE

| | Model 004692 |
|-------------------------------|-----------------------------|
| Type of Engine | GT-990/760 |
| Number of Cylinders | 2 |
| Rated Horsepower | 26 @ 3,600 rpm |
| Displacement | 992cc |
| Cylinder Block | Aluminum w/Cast Iron Sleeve |
| Valve Arrangement | Overhead Valves |
| Ignition System | Solid-state w/Magneto |
| Recommended Spark Plug | RC12YC |
| Spark Plug Gap | 0.50 mm (0.020 inch) |
| Compression Ratio | 9.5:1 |
| Starter | 12 Vdc |
| Oil Capacity Including Filter | Approx. 1.7 Qts |
| Recommended Oil Filter | Generac Part # 70185 |
| Recommended Air Filter | Generac Part # 0C8127 |
| Operating RPM | 3,600 |

1.6 SYSTEM SET LED

The “System Set” LED is lit when all of the following conditions are true:

1. The AUTO/OFF/MANUAL switch is set to the AUTO position.
2. The UTILITY voltage being supplied to the unit is being sensed by the PCB. If the UTILITY sense voltage is not connected to the unit or if it is below 168 volts AC, then the System Set light will flash rapidly. This indicates that if the AUTO/OFF/MANUAL switch is placed in the Auto position, the generator will start.
3. The “Not In Auto” dip switch is set to the OFF position on the control board.
4. No alarms are present, for example, low oil pressure, high temperature, etc.

1.7 FUEL REQUIREMENTS AND RECOMMENDATIONS

With LP gas, use only the vapor withdrawal system. This type of system uses the vapors formed above the liquid fuel in the storage tank.

The engine has been fitted with a fuel carburetion system that meets the specifications of the 1997 California Air Resources Board for tamper-proof dual fuel systems. The unit will run on natural gas or LP gas, but it has been factory set to run on natural gas. Should the primary fuel need to be changed to LP gas, the fuel system needs to be reconfigured. See Section 1.9 for instructions on reconfiguration of the fuel system.

Recommended fuels should have a Btu content of at least 1,000 Btus per cubic foot for natural gas; or at least 2,520 Btus per cubic foot for LP gas. Ask the fuel supplier for the Btu content of the fuel.

Required fuel pressure for **natural gas is 5 inches to 7 inches water column (0.18 to 0.25 psi); and for liquid propane, 11 inches to 14 inches of water column (0.4 to 0.5 psi).**

NOTE:

Any piping used to connect the generator to the fuel supply should be of adequate size to ensure the fuel pressure NEVER drops below 4 inches water column for natural gas or 10 inches water column for liquid propane for all load ranges.

1.8 FUEL CONSUMPTION

| Model # | Nat. Gas (*) | | LP Vapor (**) | |
|----------|--------------|-----------|---------------|-----------|
| | 1/2 Load | Full Load | 1/2 Load | Full Load |
| 004692-1 | 114 | 170 | 1.33/45.8 | 1.98/72.5 |

* Natural gas is in cubic feet per hour.

** LP is in gallons per hour/cubic feet per hour.

WARNING

- Gaseous fuels such as natural gas and liquid propane (LP) gas are highly explosive. Even the slightest spark can ignite such fuels and cause an explosion. No leakage of fuel is permitted. Natural gas, which is lighter than air, tends to collect in high areas. LP gas is heavier than air and tends to settle in low areas.**

1.9 RECONFIGURING THE FUEL SYSTEM

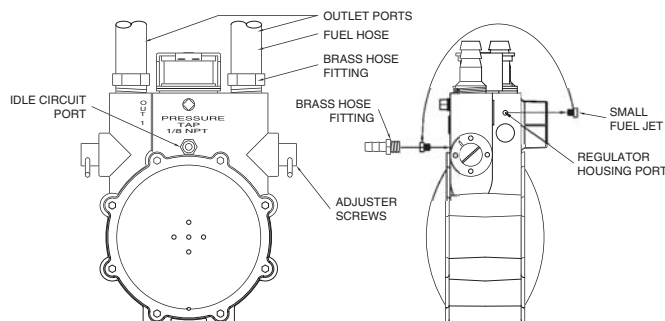
To reconfigure the fuel system from NG to LP, follow these steps:

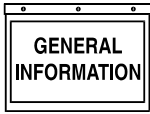
NOTE:

The primary regulator for the propane supply is NOT INCLUDED with the generator. A fuel pressure of 11 to 14 inches of water column (0.4 to 0.5 psi) to the fuel inlet of the generator MUST BE SUPPLIED.

1. Turn off the gas supply. (if connected)
2. Open the roof and remove the door.
3. Remove the battery. (if installed)
4. Remove the engine air in baffle located on the left-hand side of the battery compartment. Two M6 screws are located on top of the baffle and two M6 screws are located on the inside of the baffle towards the back.
5. Remove the small hose clamp and hose from the fuel regulator. It may be necessary to pry the hose off of the brass fitting using a screwdriver to gently lift up the hose edge.
6. Remove the small brass hose fitting from the regulator casting.
7. Place the small fuel jet, thread side first, into the threaded hole originally occupied by the brass hose fitting (Figure 1.4).
8. Using a short No. 2 Phillips screw driver, thread the small fuel jet into the regulator casting. Do not over tighten.

Figure 1.4 - Demand Regulator





Section 1 – General Information

Air-cooled 8.5 kW Generator

9. Apply thread sealant to the threads of the hose fitting and replace it into the regulator body.
10. Re-attach the small hose and hose clamp and tighten as necessary.
11. Replace the engine air in baffle using the four M6 screws.
12. Identify both brass adjustment screws on the regulator.

NOTE:

One adjustment screw can be accessed from the front of the unit and the second can be accessed from the back of the unit enclosure by removing the plastic hole plug. The screw can be turned with a long flat blade screwdriver.

13. To adjust the system to run on LP fuel, turn BOTH adjuster screws 1/2 TURN CLOCKWISE. The system should now be set for maximum power and best performance. **DO NOT, UNDER ANY CIRCUMSTANCES, REMOVE THE SET PINS FROM THE REGULATOR HOUSING. THIS WILL VOID THE WARRANTY.**
14. It may be necessary to make minor adjustments to the preset adjustment screw settings to achieve maximum power, particularly at higher altitudes. If experiencing problems with the unit producing maximum power, follow the procedure in Section 2.6 (Adjusting the Fuel Regulator).

1.10 LOCATION

◆ 1.10.1 GENERATOR

Install the generator set, in its protective enclosure, outdoors, where adequate cooling and ventilating air is always available. Consider these factors:

- Install the unit where air inlet and outlet openings will not become obstructed by leaves, grass, snow, etc. If prevailing winds will cause blowing or drifting, consider using a windbreak to protect the unit.
- Install the generator on high ground where water levels will not rise and endanger it.
- Allow sufficient room on all sides of the generator for maintenance and servicing. A good rule is to allow three feet of space on all sides.
- Where strong prevailing winds blow from one direction, face the generator air inlet openings to the prevailing winds.
- Install the generator as close as possible to the fuel supply, to reduce the length of piping.
- Install the generator as close as possible to the transfer switch. **HOWEVER, REMEMBER THAT LAWS OR CODES MAY REGULATE THE DISTANCE.**

◆ 1.10.2 TRANSFER SWITCH

The transfer switch shipped with this generator is rated 100 amps maximum at 120/240 volts AC single phase. The enclosure of the transfer switch is NEMA 1. This type of enclosure is intended for indoor use only. Follow these rules:

- Install the transfer switch indoors on a firm, sturdy supporting structure.
- To prevent switch distortion, level the switch if necessary. This can be done by placing washers between the switch enclosure and mounting surface.
- Never install the switch where water or any corrosive substance might drip onto the enclosure.
- Protect the switch at all times against excessive moisture, dust, dirt, lint, construction grit and corrosive vapors.

1.11 BATTERY INSTALLATION

Fill the battery with the proper electrolyte fluid if necessary and have the battery fully charged before installing it.

Before installing and connecting the battery, complete the following steps:

1. Set the generator's AUTO/OFF/MANUAL switch to OFF.
2. Turn off utility power supply to the transfer switch.



- ▲ **If the AUTO/OFF/MANUAL switch is not set to its OFF position, the generator can crank and start as soon as the battery cables are connected. If the utility power supply is not turned off, sparking can occur at the battery posts and cause an explosion.**

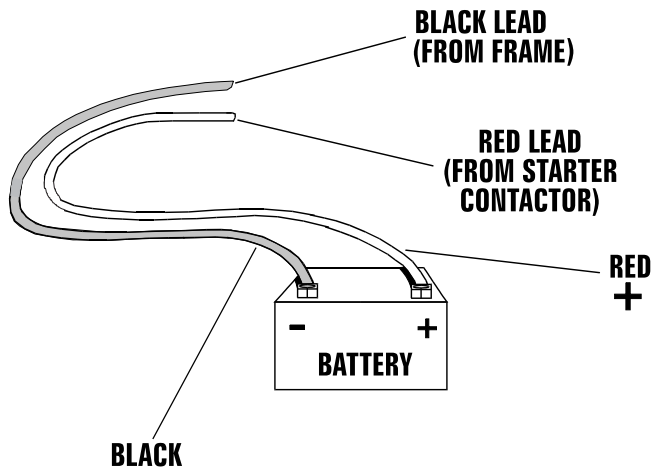
Battery cables were factory connected at the generator (Figure 1.5). Connect cables to battery posts as follows:

3. Connect the red battery cable (from starter contactor) to the battery post indicated by a positive, POS or (+).
4. Connect the black battery cable (from frame ground) to the battery post indicated by a negative, NEG or (—).

NOTE:

Damage will result if battery connections are made in reverse.

Figure 1.5 – Battery Cable Connections



NOTE:

The generator is equipped with a battery trickle charger that is active when the unit is set up for automatic operation. With the battery installed and utility power source voltage available to the transfer switch, the battery receives a trickle charge while the engine is not running, to prevent self-discharge. The trickle charger is designed to help extend the life of the battery by maintaining the battery when the unit is not running. The trickle charge feature cannot be used to recharge a discharged battery.

1.12 THE BATTERY

Servicing of the battery is to be performed or supervised by personnel knowledgeable of batteries and the required precautions. Keep unauthorized personnel away from batteries.

When replacing the battery, use the following type of battery: Group 26/26R 12VDC, 525 cold-cranking amps for 8.5 kW at -17.8° C (0° F) minimum. When using a maintenance-free battery, it is not necessary to check the specific gravity or electrolyte level. Have these procedures performed at the intervals specified in the "Service Schedule." A negative ground system is used. Battery connections are shown on the wiring diagrams. Make sure the battery is correctly connected and terminals are tight. Observe battery polarity when connecting the battery to the generator set.

⚠ DANGER ⚠

⚠ Do not dispose of the battery in a fire. The battery is capable of exploding.

⚠ A battery presents a risk of electrical shock and high short circuit current. The following precautions are to be observed when working on batteries:

- Remove watches, rings or other metal objects;
- Use tools with insulated handles;
- Wear rubber gloves and boots;
- Do not lay tools or metal parts on top of the battery; and
- Disconnect charging source prior to connecting or disconnecting battery terminals.

⚠ WARNING ⚠

⚠ Do not open or mutilate the battery. Released electrolyte has been known to be harmful to the skin and eyes, and to be toxic.

⚠ The electrolyte is a dilute sulfuric acid that is harmful to the skin and eyes. It is electrically conductive and corrosive. The following procedures are to be observed:

- Wear full eye protection and protective clothing;
- Where electrolyte contacts the skin, wash it off immediately with water;
- Where electrolyte contacts the eyes, flush thoroughly and immediately with water and seek medical attention; and
- Spilled electrolyte is to be washed down with an acid neutralizing agent. A common practice is to use a solution of 1 pound (500 grams) bicarbonate of soda to 1 gallon (4 liters) or water. The bicarbonate of soda solution is to be added until the evidence of reaction (foaming) has ceased. The resulting liquid is to be flushed with water and the area dried.

⚠ Lead-acid batteries present a risk of fire because they generate hydrogen gas. The following procedures are to be followed:

- DO NOT SMOKE when near the battery;
- DO NOT cause flame or spark in battery area; and
- Discharge static electricity from body before touching the battery by first touching a grounded metal surface.

⚠ Be sure the AUTO/OFF/MANUAL switch is set to the OFF position before connecting the battery cables. If the switch is set to AUTO or MANUAL, the generator can crank and start as soon as the battery cables are connected.


⚠ Be sure the utility power supply is turned off, or sparking may occur at the battery posts as the cables are attached and cause an explosion.

2.1 BEFORE INITIAL START-UP

Before starting, complete the following:

1. Set the generator's AUTO/OFF/MANUAL switch to the OFF position.
2. Turn OFF the utility power supply to the transfer switch using the means provided (such as the utility main line circuit breaker).
3. Turn OFF all loads connected to the transfer switch terminals T1 and T2.
4. Check the engine crankcase oil level and, if necessary, fill to the dipstick FULL mark with the recommended oil. Do not fill above the FULL mark.
5. Check the fuel supply. Gaseous fuel lines must have been properly purged and leak tested in accordance with applicable fuel-gas codes. All fuel shutoff valves in the fuel supply lines must be open.




 Never operate the engine with the oil level below the "Add" mark on the dipstick. Doing this could damage the engine.

2.2 CHECK TRANSFER SWITCH OPERATION

Refer to Section 3.5, of the owner's manual for manual operation procedures.




 Do not attempt manual transfer switch operation until all power voltage supplies to the transfer switch have been positively turned off. Failure to turn off all power voltage supplies will result in extremely hazardous and possibly fatal electrical shock.

2.3 ELECTRICAL CHECKS

Complete electrical checks as follows:


1. Set the generator's main circuit breaker to its OFF (or open) position.
2. Turn OFF all loads connected to the transfer switch terminals T1 and T2.
3. Turn on the UTILITY power supply to the transfer switch using the means provided (such as a utility main line circuit breaker).



 The transfer switch is now electrically "hot." Contact with "hot" parts will result in extremely hazardous and possibly fatal electrical shock. Proceed with caution.

4. Use an accurate AC voltmeter to check UTILITY power source voltage across transfer switch terminals N1 and N2. Nominal line-to-line voltage should be 240 volts AC.
5. Check UTILITY power source voltage across terminals N1 and the transfer switch neutral lug; then across terminal N2 and neutral. Nominal line-to-neutral voltage should be 120 volts AC.
6. When certain that UTILITY supply voltage is compatible with transfer switch and load circuit ratings, turn OFF the UTILITY power supply to the transfer switch.
7. On the generator panel, set the AUTO/OFF/MANUAL switch to MANUAL. The engine should crank and start.
8. Let the engine warm up for about five minutes to allow internal temperatures to stabilize. Then, set the generator's main circuit breaker to its ON (or closed) position.



 Proceed with caution! Generator power voltage is now supplied to the transfer switch. Contact with live transfer switch parts will result in dangerous and possibly fatal electrical shock.

9. Connect an accurate AC voltmeter and a frequency meter across transfer switch terminal lugs E1 and E2. Voltage should be 242-252 volts; frequency should read about 61-63 Hertz.
10. Connect the AC voltmeter test leads across terminal lug E1 and neutral; then across E2 and neutral. In both cases, voltage reading should be 121-126 volts AC.
11. Set the generator's main circuit breaker to its OFF (or open) position. Let the engine run at no-load for a few minutes to stabilize internal engine generator temperatures.
12. Set the generator's AUTO/OFF/MANUAL switch to OFF. The engine should shut down.

NOTE:


It is important not to proceed until certain that generator AC voltage and frequency are correct and within the stated limits. Generally, if both AC frequency and voltage are high or low, the engine governor requires adjustment. If frequency is correct, but voltage is high or low, the generator's voltage regulator requires adjustment.

2.4 GENERATOR TESTS UNDER LOAD

To test the generator set with electrical loads applied, proceed as follows:

1. Set generator's main circuit breaker to its OFF (or open) position.
2. Turn OFF all loads connected to the transfer switch terminals T1 and T2.
3. Set the generator's AUTO/OFF/MANUAL switch to OFF.
4. Turn OFF the UTILITY power supply to the transfer switch, using the means provided (such as a utility main line circuit breaker).



 **Do not attempt manual transfer switch operation until all power voltage supplies to the transfer switch have been positively turned off. Failure to turn off all power voltage supplies will result in extremely hazardous and possibly fatal electrical shock.**

5. Manually set the transfer switch to the STANDBY position, i.e., load terminals connected to the generator's E1/E2 terminals. The transfer switch operating lever should be down.
6. Set the generator's AUTO/OFF/MANUAL switch to MANUAL. The engine should crank and start immediately.
7. Let the engine stabilize and warm up for a few minutes.
8. Set the generator's main circuit breaker to its ON (or closed) position. Loads are now powered by the standby generator.
9. Turn ON electrical loads connected to transfer switch terminals T1 and T2. Apply an electrical load equal to the full rated wattage/ampere capacity of the installed generator.
10. Connect an accurate AC voltmeter and a frequency meter across terminal lugs E1 and E2. Voltage should be greater than 230 volts; frequency should be greater than 58 Hertz.
11. Let the generator run at full rated load for 20-30 minutes. Listen for unusual noises, vibration or other indications of abnormal operation. Check for oil leaks, evidence of overheating, etc.
12. When testing under load is complete, turn OFF electrical loads.
13. Set the generator's main circuit breaker to its OFF (or open) position.
14. Let the engine run at no-load for a few minutes.
15. Set the AUTO/OFF/MANUAL switch to OFF. The engine should shut down.

2.5 CHECKING AUTOMATIC OPERATION

To check the system for proper automatic operation, proceed as follows:

1. Check that the AUTO/OFF/MANUAL switch is set to OFF.
2. Turn OFF the UTILITY power supply to the transfer switch, using the means provided (such as a UTILITY main line circuit breaker).
3. Manually set the transfer switch to the UTILITY position, i.e., load terminals connected to the UTILITY power source side.
4. Turn ON the UTILITY power supply to the transfer switch, using the means provided (such as a UTILITY main line circuit breaker).
5. Set the AUTO/OFF/MANUAL switch to AUTO. The system is now ready for automatic operation.
6. Turn OFF the UTILITY power supply to the transfer switch.

With the AUTO/OFF/MANUAL switch at AUTO, the engine should crank and start when the utility source power is turned OFF. After starting, the transfer switch should connect load circuits to the standby side. Let the system go through its entire automatic sequence of operation.

With the generator running and loads powered by generator AC output, turn ON the UTILITY power supply to the transfer switch. The following should occur:

- After about six seconds, the switch should transfer loads back to the UTILITY power source.
- About one minute after retransfer, the engine should shut down.

2.6 ADJUSTING THE REGULATOR (NATURAL GAS ONLY)

Although the generator has been factory set to provide maximum power, it may be necessary in some areas to adjust this setting. Because natural gas has different BTU or power content across the country the engine may not perform as designed.

If experiencing engine problems at high or full load conditions follow these steps. It will require a frequency meter to perform this procedure.

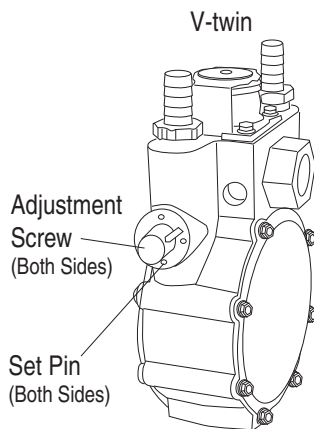
1. Turn off UTILITY power to the main distribution panel in the house. This can be done by switching the service main breaker to the off or open position.
2. Allow the generator to start. Before loading the generator, confirm that the no load frequency, with the roof open and door off, is set at 63-63.5 Hz. Transfer load to emergency circuits.

- Turn on appliances, lights, pumps, etc., that are on the emergency circuits in an attempt to fully load the generator. Be cautious not to overload the generator. Use the following chart as a guide:

| Unit | 120 Volts | 240 Volts |
|--------|-----------|-----------|
| 8.5 kW | 70.8 amps | 35.4 amps |

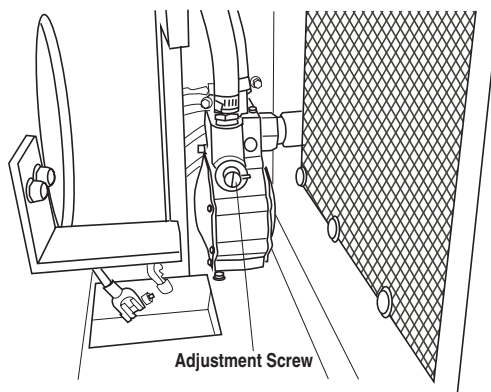
- When full load has been achieved. Connect a frequency meter to the output lugs of the generator's main line circuit breaker.
- The fuel regulator is fitted with two adjustment screws. While watching the frequency meter, slowly turn the adjustment screws clockwise or counterclockwise one at a time until the highest frequency is read on the meter. (Figures 2.1 and 2.2).

Figure 2.1 — Dual Fuel Regulators



- When the highest frequency is reached maximum power has been set. From this point, turn both adjustment screws 1/4 turn clockwise. The regulator is now set.

Figure 2.2 — Placement of Regulator



- Turn UTILITY power to the main distribution panel back on. This can be done by switching the service main breaker to the on or closed position. Allow the generator to shut down.



- Do not make any unnecessary adjustments. Factory settings are correct for most applications. However, when making adjustments, be careful to avoid overspeeding the engine.**

If this procedure or equipment are not available, locate the nearest Generac Dealer and they can perform the adjustments.

NOTE:

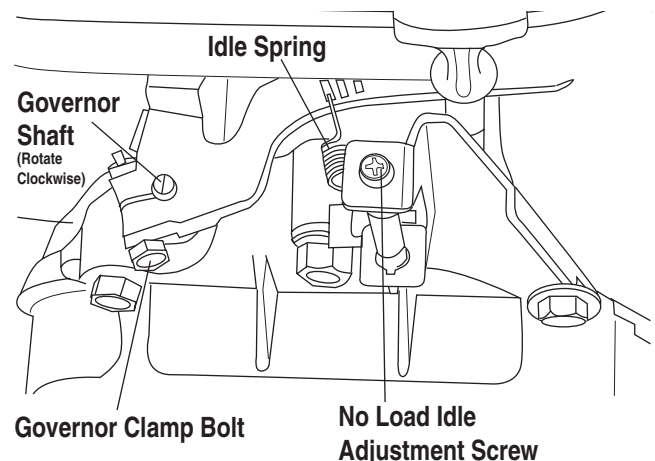
A service fee may be charged for this adjustment.

2.7 ENGINE GOVERNOR ADJUSTMENT

If both AC frequency and voltage are correspondingly high or low, adjust the engine governor as follows:

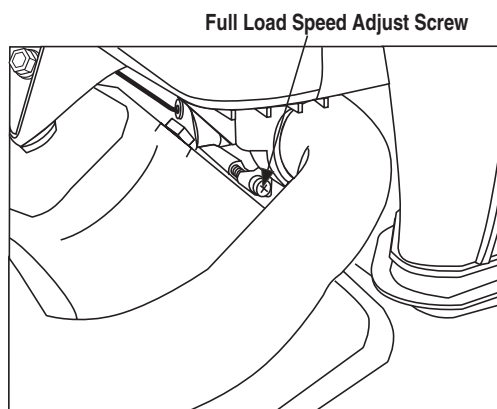
- Loosen governor clamp bolt (Figure 2.3).

Figure 2.3 — V-twin Engine Governor Adjustment



- Completely remove the idle spring.
- With governor arm at wide open throttle position, rotate governor shaft fully clockwise. Tighten clamp bolt to 84 inch-pounds.
- Start unit and apply full load. Use full load speed adjust screw (Figure 2.4) to adjust frequency to 58 Hz.
- Remove load, stop engine, loosen the idle adjust screw and reconnect the idle spring.
- Using a hand, push the governor arm to the closed throttle position. Make sure the idle spring does not stretch at all.
- Restart the unit.
- Slowly turn the idle adjust screw to adjust the no-load idle frequency to 63-63.5 Hz.
- The governor is now set.

Figure 2.4 — Full Load Speed Adjust Screw



◆ 2.7.1 ADDITIONAL CORROSION PROTECTION

Periodically spray all engine linkage parts and brackets with corrosion inhibiting spray such as WD-40 or a comparable product.

2.8 VOLTAGE REGULATOR ADJUSTMENT

With the frequency between 62-63 Hertz, slowly turn the slotted potentiometer (Figure 2.5) until line voltage reads 244-252 volts.

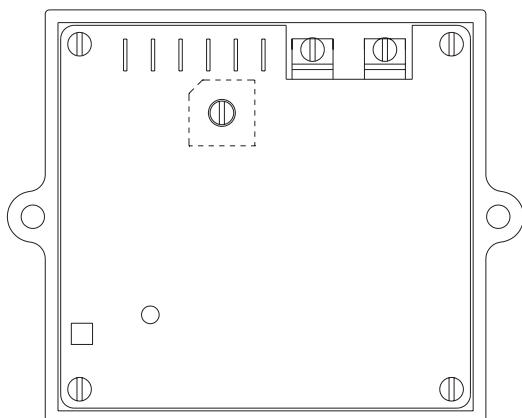
NOTE:

The access panel on top of the control panel must be removed to adjust the voltage regulator.

NOTE:

The voltage regulator is housed above the generator's control panel. The regulator maintains a voltage in direct proportion to frequency at a 2-to-1 ratio. For example, at 62 Hertz, line-to-neutral voltage will be 124 volts.

Figure 2.5 – Voltage Adjustment Potentiometer



3.1 BREAK-IN PROCEDURE

Once the unit has been installed and all electrical checks have been made, it is strongly recommended that the following "Break-in Procedure" be completed to ensure correct generator operation in the future.

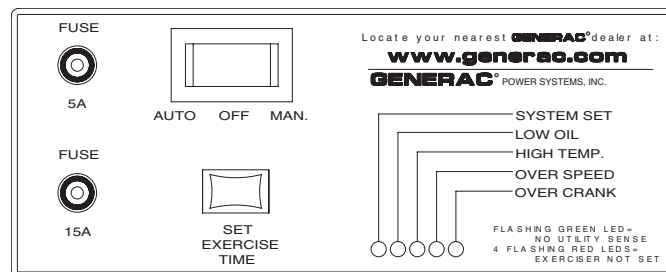
1. Set the generator's AUTO/OFF/MANUAL switch to AUTO.
2. Turn OFF the UTILITY power supply to the transfer switch using the means provided (such as a utility main line circuit breaker).
3. The unit will start, and the transfer switch will transfer to standby.
4. Using the transfer switch's built-in emergency load center, turn on circuits to load the generator to approximately 25% rated load and run the unit for one hour.
5. Run the unit for one hour at 50% rated load.
6. Run the unit for one hour at 75% rated load.
7. Run the unit for one hour at 100% rated load.
8. Turn ON the UTILITY power supply to the transfer switch, which will allow the transfer switch to transfer back to UTILITY power. The unit will continue to run for one minute and then shut down.
9. Allow the unit to cool.
10. Drain the oil and remove the oil filter. Replace the oil filter according to Section 4.4, "Changing the Oil Filter". Replace the oil with synthetic oil as recommended in Section 4.3, "Changing the Engine Oil".
11. The generator is now ready for service.

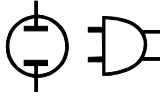
3.2 USING THE AUTO/OFF/MANUAL SWITCH (FIGURE 3.1)

◆ 3.2.1 "AUTO" POSITION

Selecting this switch position activates fully automatic system operation. It also permits starting and exercising the engine every seven days with the setting of the exercise timer (see Section 3.6). This position also is used for remote starting, when it is set up.

Figure 3.1 – Generator Control Panel





◆ 3.2.2 “OFF” POSITION

This switch position shuts down the engine. This position also prevents automatic operation.

◆ 3.2.3 “MANUAL” POSITION

Set the switch to Manual to crank and start the engine. Transfer to standby power will not occur unless there is a utility failure.



WARNING

▲ With the switch set to AUTO, the engine may crank and start at any time without warning. Such automatic starting normally occurs when utility power source voltage drops below a preset level or during the normal exercise cycle. To prevent possible injury that might be caused by such sudden starts, always set the switch to OFF and remove the fuse before working on or around the generator or transfer switch. Then, place a “Do Not Operate” tag on the generator panel and on the transfer switch.

3.3 AUTOMATIC TRANSFER OPERATION

To select automatic operation, do the following:

1. Make sure the transfer switch main contacts are set to their UTILITY position, i.e., loads connected to the UTILITY power source (Figure 3.2).
2. Be sure that normal UTILITY power source voltage is available to transfer switch terminal lugs N1 and N2.
3. Set the generator’s AUTO/OFF/MANUAL switch to AUTO.
4. Set the generator’s main circuit breaker to its ON (or closed) position.

With the preceding steps complete, the generator will start automatically when utility source voltage drops below a preset level. After the unit starts, loads are transferred to the standby power source. Refer to Section 3.4, “Sequence of Automatic Operation”.

3.4 SEQUENCE OF AUTOMATIC OPERATION

The generator’s control panel houses a control logic circuit board. This board constantly monitors utility power source voltage. Should that voltage drop below a preset level, circuit board action will signal the engine to crank and start. After the engine starts, the circuit board signals the transfer switch to activate and connect load circuits to the standby power supply (load terminal lugs T1/T2 connect to terminal lugs E1/E2).

Upon restoration of utility source voltage above a preset level, generator circuit board action signals the transfer switch to transfer loads back to that power supply. After retransfer, the engine is signalled to shut down.

The actual sequence of operation is controlled by sensors and timers on a control logic circuit board, as follows:

A. Utility Voltage Dropout Sensor

- This sensor monitors UTILITY source voltage.
- If utility source voltage drops below about 60 percent of the nominal supply voltage, the sensor energizes a 15-second timer.
- Once the timer has expired, the engine will crank and start.

B. Engine Warm-up Time Delay

- This mechanism lets the engine warm up for about 10 seconds before the load is transferred to a standby source.

C. Standby Voltage Sensor

- This sensor monitors generator AC output voltage. When the voltage has reached 50 percent of the nominal rated voltage, transfer to standby can occur.

D. Utility Voltage Pickup Sensor

- This sensor monitors UTILITY power supply voltage. When that voltage is restored above 80 percent of the nominal source voltage, a retransfer time delay starts timing.

E. Retransfer Time Delay

- This timer runs for about 15 seconds.
- At end of a 15-second delay, circuit board action de-energizes transfer relay in the transfer switch.
- Retransfer to UTILITY power source then occurs.

F. Engine Cool-down Timer

- When the load is transferred back to UTILITY power source, the engine cool-down timer starts timing.
- The timer will run for about one minute, and the generator will then shut down.

3.5 MANUAL TRANSFER OPERATION

◆ 3.5.1 TRANSFER TO GENERATOR POWER SOURCE

To start the generator and activate the transfer switch manually, proceed as follows:

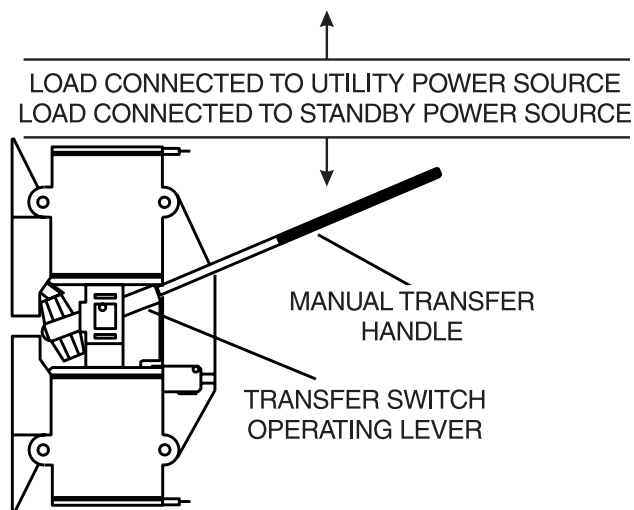
1. Set the generator’s AUTO/OFF/MANUAL switch to OFF.
2. Set the generator’s main circuit breaker to its OFF (or open) position.
3. Turn OFF the utility power supply to the transfer switch using the means provided (such as a utility main line circuit breaker).

⚠ DANGER ⚠

⚠ Do not attempt to activate the transfer switch manually until all power voltage supplies to the switch have been positively turned off. Failure to turn off all power voltage supplies may result in extremely hazardous and possibly fatal electrical shock.

4. Use the manual transfer handle inside the transfer switch to move the main contacts to their “Standby” position, i.e., loads connected to the standby power source (Figure 3.2).
5. To crank and start the engine, set the AUTO/OFF/MANUAL switch to MANUAL.
6. Let the engine stabilize and warm up for a few minutes.
7. Set the generator’s main circuit breaker to its ON (or closed) position. The standby power source now powers the loads.

Figure 3.2 – Manual Transfer Switch Operation



◆ 3.5.2 TRANSFER BACK TO UTILITY POWER SOURCE

When utility power has been restored, transfer back to that source and shut down the generator. This can be accomplished as follows:

1. Set the generator’s main circuit breaker to its OFF (or open) position.
2. Let the engine run for a minute or two at no-load to stabilize the internal temperatures.
3. Set the generator’s AUTO/OFF/MANUAL switch to its OFF (or open) position. The engine should shut down.
4. Check that UTILITY power supply to the transfer switch is turned OFF.

⚠ DANGER ⚠

⚠ Do not attempt to activate the transfer switch manually until all power voltage supplies to the switch have been positively turned off. Failure to turn off all power voltage supplies may result in extremely hazardous and possibly fatal electrical shock.

5. Use the manual transfer handle inside the transfer switch to move the main contacts back to their UTILITY position, i.e., loads connected to the UTILITY power source (Figure 3.2).
6. Turn ON the UTILITY power supply to the transfer switch using the means provided.
7. Set the system to automatic operation as outlined in “Automatic Transfer Operation,” Section 3.3.

3.6 SETTING THE EXERCISE TIMER

The generator is equipped with an exercise timer. Once it is set, the generator will start and exercise once every seven days, on the day of the week and at the time of day the following sequence is completed. During this exercise period, the unit runs for approximately 12 minutes and then shuts down. Transfer of loads to the generator output does not occur during the exercise cycle.

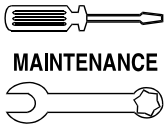
A switch on the control panel (see Figure 3.1) permits selection of the day and time for system exercise. To select the desired day and time of day, the following sequence must be performed at that time.

1. Verify that the AUTO/OFF/MANUAL switch is set to AUTO.
2. Hold down the “Set Exercise Time Switch” until the generator starts (approximately 10 seconds) and then release. During this time all the red LEDs on the control panel will flash to indicate board is resetting itself.
3. The generator will start and run for approximately 12 minutes and then shut down on its own. The exerciser will then be set to run at that time of day every week.

NOTE:

The exerciser will only work in the AUTO mode and will not work correctly unless this procedure is performed. The exerciser will need to be reset every time the 12-volt battery is disconnected and then reconnected. The exerciser WILL NOT work if dip switch 2 on the controller printed circuit board (“Remote Not Auto”) is ON.

If the exerciser is not set using the “Set Exercise Time Switch”, the generator will automatically exercise 7 days after the battery connection was made.



3.7 PROTECTION SYSTEMS

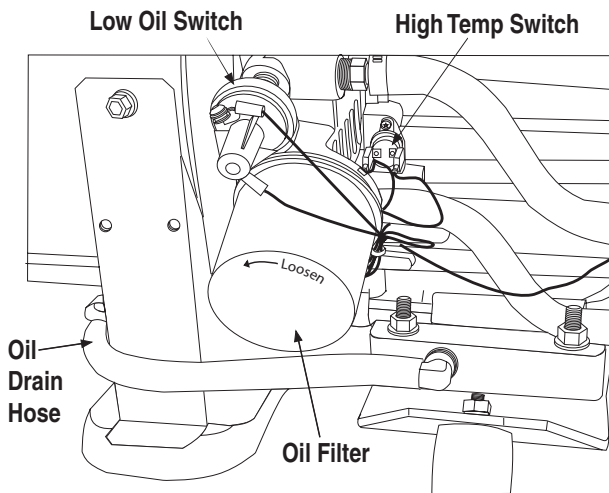
◆ 3.7.1 LOW OIL PRESSURE SWITCH

This switch (Figure 3.3) has normally closed contacts that are held open by engine oil pressure during cranking and operating. Should oil pressure drop below the 8 psi range, switch contacts close, and the engine shuts down. The unit should not be restarted until oil is added. The AUTO/OFF/MANUAL switch must then be turned to OFF and then back to AUTO.

◆ 3.7.2 HIGH TEMPERATURE SWITCH

This switch's (Figure 3.3) contacts close if the temperature should exceed approximately 140° C (284° F), initiating an engine shutdown. The generator will automatically restart and the LED on the generator control panel will reset once the temperature has returned to a safe operating level.

Figure 3.3 – Low Oil Pressure and High Temperature Switches



◆ 3.7.3 OVERCRANK

This feature prevents the generator from damaging itself when it continually attempts to start and another problem, such as no fuel supply, prevents it from starting. The unit will crank and rest for a preset time limit. Then, it will stop cranking, and the LED on the generator control panel will light indicating an overcrank failure. The AUTO/OFF/MANUAL switch will need to be set to OFF and then back to AUTO to reset the generator control board.

NOTE:

If the fault is not repaired, the overcrank feature will continue to activate.

3.7.3.1 Approximate Crank Cycle Times

- 15 seconds ON
- 7 seconds OFF
- 7 seconds ON
- 7 seconds OFF
- Repeat for 45 seconds
- Approximately 90 seconds total

◆ 3.7.4 OVERSPEED

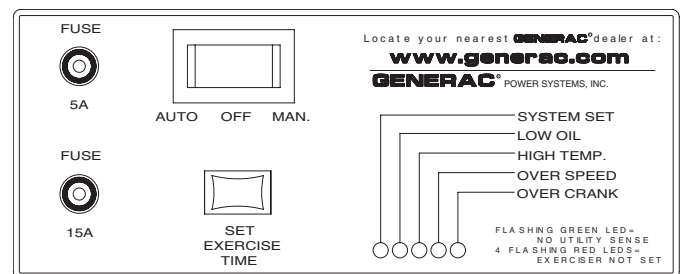
This feature protects the generator from damage by shutting it down if it happens to run faster than the preset limit. This protection also prevents the generator from supplying an output that could potentially damage appliances connected to the generator circuit. Contact the nearest Generac Authorized Dealer if this failure occurs.

4.1 FUSE

The generator panel's 15 amp fuse (Figure 4.1) protects the DC control circuit against overload. The fuse is wired in series with the battery output lead to the panel. If the fuse element has melted open, the engine will not crank or start. Replace the fuse using only an identical 15-amp replacement.

The generator panel's 5 amp fuse protects the battery charge circuit against overload. If the fuse element has melted open, battery charging capabilities will not be possible. Replace the fuse using only an identical 5 amp replacement. To remove fuse, push cap down and rotate counterclockwise.

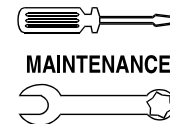
Figure 4.1 – Generator Control Panel



4.2 CHECKING THE ENGINE OIL LEVEL

For oil capacities, see "Specifications," Section 1.5. For engine oil recommendations, see Section 4.3.1. To check the engine oil level, proceed as follows (Figure 4.2):

1. Start the generator by moving the Auto/Off/Manual switch to the MANUAL position. Allow it to run for a short while and then shut it down by moving the switch to the OFF position.



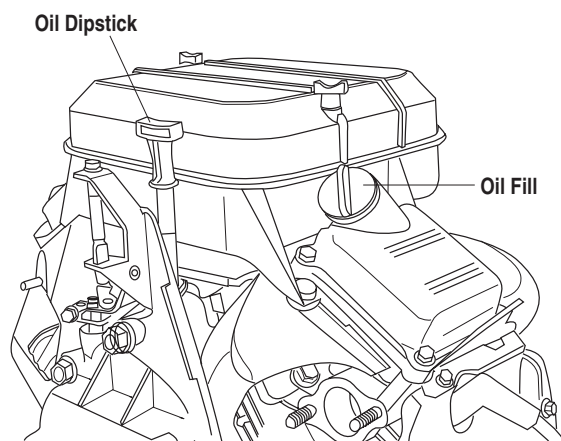
2. Remove the dipstick and wipe it dry with a clean cloth.
3. Install the dipstick; then, remove it again. The oil level should be at the dipstick "Full" mark. If necessary, add oil to the "Full" mark only. DO NOT FILL ABOVE THE "FULL" MARK.



⚠ **Never operate the engine with the oil level below the "Add" mark on the dipstick. Doing this could damage the engine.**

4. Install the dipstick.
5. Reset the AUTO/OFF/MANUAL switch to its original position.

Figure 4.2 — Oil Dipstick and Fill, 8.5 kW



4.3 CHANGING THE ENGINE OIL

◆ 4.3.1 ENGINE OIL RECOMMENDATIONS

Use oil of American Petroleum Institute (API) Service Class SG, SH or SJ. Use all season SAE 5W-30 Synthetic oil. Organic break-in oil is required before using synthetic oil.

NOTE:

The unit is supplied with "break-in" oil. See the "Break-in Procedure," Section 3.1, for the first required oil change.



⚠ **Any attempt to crank or start the engine before it has been properly serviced with the recommended oil may result in an engine failure.**

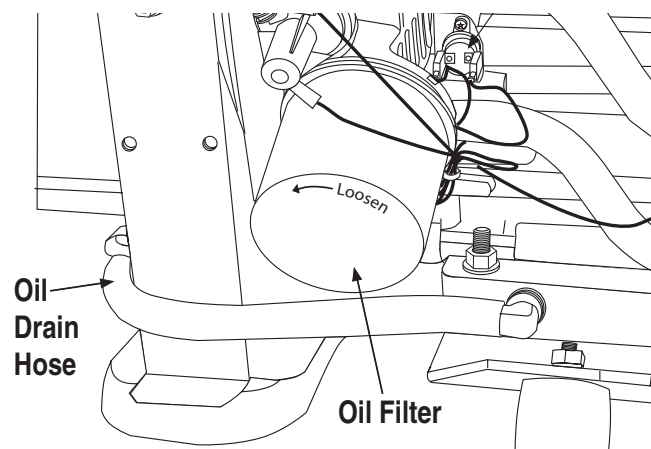
◆ 4.3.2 OIL CHANGE PROCEDURE

To change the oil, proceed as follows:

1. Run the engine until it is thoroughly warmed up then shut OFF the engine.

2. Immediately after the engine shuts OFF, pull the oil drain hose (Figure 4.3) free of its retaining clip. Remove the cap from the hose and drain the oil into a suitable container.
3. After the oil has drained, replace the cap onto the end of the oil drain hose. Retain the hose in the clip.
4. Refill with the proper recommended oil (see Section 4.3.1). See Section 1.5.2 for oil capacities.

Figure 4.3 – Oil Drain Hose and Filter



4.4 CHANGING THE OIL FILTER

Change the engine oil filter as follows:

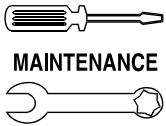
1. With the oil drained, remove the old oil filter by turning it counterclockwise.
2. Apply a light coating of clean engine oil to the gasket of the new filter. See Section 1.5.1 for recommended filter.
3. Screw the new filter on by hand until its gasket lightly contacts the oil filter adapter. Then, tighten the filter an additional 3/4 to one turn (Figure 4.3).
4. Refill with the proper recommended oil (see Section 4.3.1). See Section 1.5.2 for oil capacities.
5. Start the engine and check for leaks.

4.5 CHANGING THE ENGINE AIR CLEANER

◆ 4.5.1 8.5 KW GENERATORS

See Figure 1.1, for the location of the air cleaner. Use the following procedure:

1. Turn the two screws counterclockwise to loosen (Figure 4.4).
2. Remove the cover and air filter.
3. Wipe away dust or debris from inside of the air box and around edges.
4. Install the new air cleaner into the air box.



MAINTENANCE

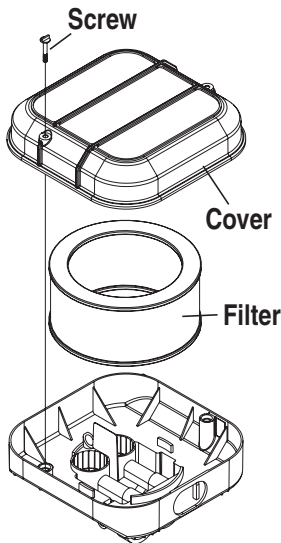
Section 4 – Maintenance

Air-cooled 8.5 kW Generator

5. Install the cover. Turn the two cover screws clockwise to tighten.

See the “Service Schedule,” Section 4.11 for air cleaner maintenance. See Section 1.5.1 for air filter replacement part number.

Figure 4.4 — V-twin Engine Air Cleaner

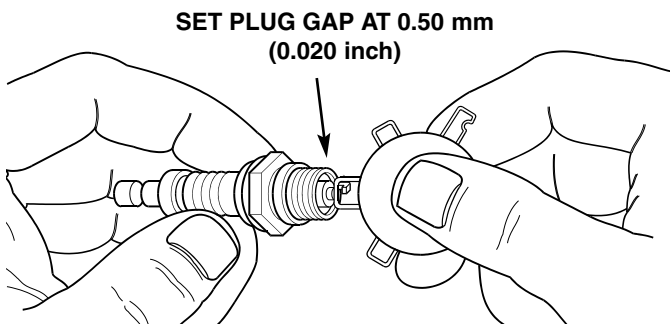


4.6 SPARK PLUG(S)

Reset the spark plug(s) gap or replace the spark plug(s) as necessary. See Section 4.11 for maintenance requirements.

1. Clean the area around the base of the spark plug(s) to keep dirt and debris out of the engine. Clean by scraping or washing using a wire brush and commercial solvent. Do not blast the spark plug(s) to clean.
2. Remove the spark plug(s) and check the condition. Replace the spark plug(s) if worn or if reuse is questionable. See Section 4.11 for recommended inspection.
3. Check the spark plug gap using a wire feeler gauge, carefully bending the ground electrode (Figure 4.5).

Figure 4.5 – Setting the Spark Plug Gap



18 Generac® Power Systems, Inc.

4.7 BATTERY MAINTENANCE

The battery should be inspected per the “Service Schedule,” Section 4.11. The following procedure should be followed for inspection:

1. Inspect the battery posts and cables for tightness and corrosion. Tighten and clean as necessary.
2. Check the battery fluid level of unsealed batteries and, if necessary, fill with **DISTILLED WATER ONLY. DO NOT USE TAP WATER IN BATTERIES.**
3. Have the state of charge and condition checked. This should be done with an automotive-type battery hydrometer.

—▲ DANGER ▲—

- ▲ Do not dispose of the battery in a fire. The battery is capable of exploding.
- ▲ A battery presents a risk of electrical shock and high short circuit current. The following precautions are to be observed when working on batteries:

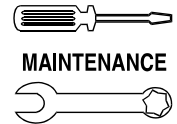
- Remove watches, rings or other metal objects;
- Use tools with insulated handles;
- Wear rubber gloves and boots;
- Do not lay tools or metal parts on top of the battery; and
- Disconnect charging source prior to connecting or disconnecting battery terminals.

—▲ WARNING ▲—

- ▲ Do not open or mutilate the battery. Released electrolyte has been known to be harmful to the skin and eyes, and to be toxic.
- ▲ The electrolyte is a dilute sulfuric acid that is harmful to the skin and eyes. It is electrically conductive and corrosive. The following procedures are to be observed:

- Wear full eye protection and protective clothing;
- Where electrolyte contacts the skin, wash it off immediately with water;
- Where electrolyte contacts the eyes, flush thoroughly and immediately with water and seek medical attention; and
- Spilled electrolyte is to be washed down with an acid neutralizing agent. A common practice is to use a solution of 1 pound (500 grams) bicarbonate of soda to 1 gallon (4 liters) or water. The bicarbonate of soda solution is to be added until the evidence of reaction (foaming) has ceased. The resulting liquid is to be flushed with water and the area dried.

- ▲ Lead-acid batteries present a risk of fire because they generate hydrogen gas. The following procedures are to be followed:



- DO NOT SMOKE when near the battery;
- DO NOT cause flame or spark in battery area; and
- Discharge static electricity from body before touching the battery by first touching a grounded metal surface.

⚠ Be sure the AUTO/OFF/MANUAL switch is set to the OFF position before connecting the battery cables. If the switch is set to AUTO or MANUAL, the generator can crank and start as soon as the battery cables are connected.

⚠ Be sure the utility power supply is turned off, or sparking may occur at the battery posts as the cables are attached and cause an explosion.

4.8 ADJUSTING VALVE CLEARANCE

After the first 50 hours of operation, adjust the valve clearance in the engine.

Important: If feeling uncomfortable about doing this procedure or the proper tools are not available, please contact the Generac Authorized Dealer for service assistance. This is a very important step to insure the longest life for the engine.

To adjusting valve clearance:

- Make sure the engine is at room temperature.
- Make sure that the spark plug wire is removed from the spark plug and out of the way.
- Remove the four screws attaching the valve cover with a #2 or #3 phillips screwdriver.
- Make sure the piston is at Top Dead Center (TDC) of its compression stroke (both valves closed). To get the piston at TDC, remove the intake screen at the front of the engine to gain access to the flywheel nut. Use a large socket and socket wrench to rotate the nut and hence the engine. While watching the piston through the spark plug hole. The piston should move up and down. The piston is at TDC when it is up as high as it can go.
- Loosen the rocker jam nut. Use an 10mm allen wrench to turn the pivot ball stud while checking clearance between the rocker arm and the valve stem with a feeler gauge. Correct clearance is 0.002-0.004 inch (0.05-0.1 mm).

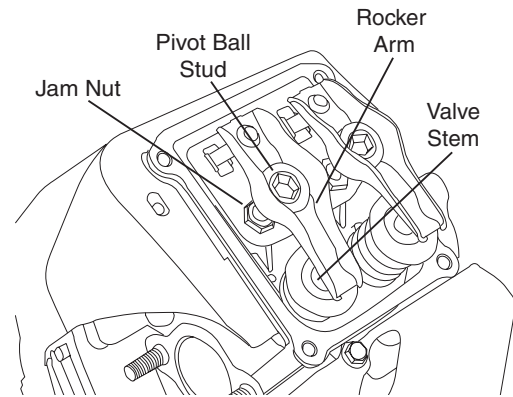
NOTE:

The rocker arm jam nut must be held in place as the pivot ball stud is turned.

When valve clearance is correct, hold the pivot ball stud in place with the allen wrench and tighten the rocker arm jam nut. Tighten the jam nut to 174 in/lbs. torque. After tightening the jam nut, recheck valve clearance to make sure it did not change.

- Install new valve cover gasket.
- Re-attach the valve cover.

Figure 4.6 - Valve Clearance Adjustment



NOTE:

Start all four screws before tightening or it will not be possible to get all the screws in place. Make sure the valve cover gasket is in place.

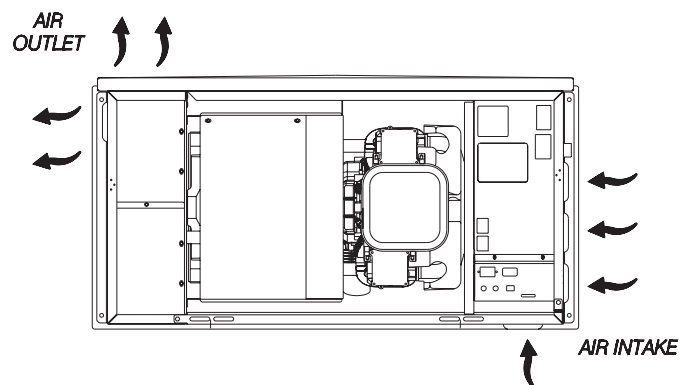
- Re-attach the spark plug wire to the spark plug.
- Repeat the process for the other cylinder.

4.9 COOLING SYSTEM

Air inlet and outlet openings in the generator compartment must be open and unobstructed for continued proper operation. This includes such obstructions as high grass, weeds, brush, leaves and snow.

Without sufficient cooling and ventilating air flow, the engine/generator quickly overheats, which causes it to quickly shut down. (see Figure 4.7)

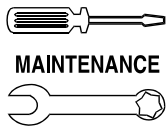
Figure 4.7 – Cooling Vent Locations



CAUTION

⚠ The exhaust from this product gets extremely hot and remains hot after shutdown. High grass, weeds, brush, leaves, etc. must remain clear of the exhaust. Such materials may ignite and burn from the heat of the exhaust system.

⚠ The maximum ambient temperature for the generator is 48.9° C (104° F).



MAINTENANCE

Section 4 – Maintenance

Air-cooled 8.5 kW Generator

4.10 ATTENTION AFTER SUBMERSION

If the generator has been submerged in water, it **must not** be started and operated. Following any submersion in water, have a Generac Authorized Dealer thoroughly clean and dry the generator.

4.11 OUT OF SERVICE PROCEDURE

◆ 4.11.1 REMOVAL FROM SERVICE

If the generator cannot be exercised every seven days, and it is to be out of service longer than 90 days, prepare the generator for storage as follows:

1. Start the engine and let it warm up.
2. Close the fuel shutoff valve in the fuel supply line and allow the unit to shut down.
3. Once the unit has shut down, it will signal a low oil fault.
4. Set the AUTO/OFF/MANUAL switch to OFF and turn off the utility power to the transfer switch.
5. While the engine is still warm from running, drain the oil completely. Refill the crankcase with oil. See "Engine Oil Recommendations," Section 4.3.1.
6. Attach a tag to the engine indicating the viscosity and classification of the oil in the crankcase.
7. Remove the spark plug(s) and spray fogging agent into the spark plug(s) threaded openings. Reinstall and tighten the spark plug(s).
8. Remove the battery and store it in a cool, dry room on a wooden board. Never store the battery on any concrete or earthen floor.
9. Clean and wipe the entire generator.

◆ 4.11.2 RETURN TO SERVICE

To return the unit to service after storage, proceed as follows:

1. Verify that utility power is turned off and that the AUTO/OFF/MANUAL switch is set to OFF.
2. Check the tag on the engine for oil viscosity and classification. Verify that the correct recommended oil is used in the engine (see Section 4.3.1). If necessary, drain and refill with the proper oil.
3. Check the state of the battery. Fill all cells of unsealed batteries to the proper level with distilled water. **DO NOT USE TAP WATER IN THE BATTERY.** Recharge the battery to 100 percent state of charge, or, if defective, replace the battery. See "Specifications," Section 1.5, for type and size.
4. Clean and wipe the entire generator.
5. Reconnect the battery. Observe battery polarity. Damage may occur if the battery is connected incorrectly.
6. Open the fuel shutoff valve.
7. Start the unit by moving the AUTO/OFF/MANUAL switch to MANUAL. Allow the unit to warm up thoroughly.
8. Stop the unit and set the AUTO/OFF/MANUAL switch to AUTO.
9. Turn on the utility power to the transfer switch.
10. The generator is now ready for service.

NOTE:

If the battery was dead or disconnected, the exercise timer must be reset.

4.12 CORROSION PROTECTION

Periodically wash and wax the enclosure using automotive type products. Frequent washing is recommended in a salt water, coastal area. Spray engine linkages with a light oil such as WD-40.



4.13 SERVICE SCHEDULE

ATTENTION: It is recommended that all service work be performed by the nearest Generac Authorized Dealer.

| SYSTEM/COMPONENT | PROCEDURE | | | FREQUENCY |
|--|--|--------|-------|---|
| | Inspect | Change | Clean | |
| X = Action R = Replace as Necessary * = Notify Dealer if Repair is Needed. | | | | W = Weekly M = Monthly Y = Yearly |
| FUEL | | | | |
| Fuel lines and connections* | X | | | M |
| LUBRICATION | | | | |
| Oil level | X | | | M |
| Oil | | X | | AFTER BREAK-IN AND Y |
| Oil filter | | X | | AFTER BREAK-IN AND Y |
| COOLING | | | | |
| Enclosure louvers | X | | X | W |
| BATTERY | | | | |
| Remove corrosion, ensure dryness | X | | X | M |
| Clean and tighten battery terminals | X | | X | M |
| Check charge state | X | R | | EVERY 6 M |
| Electrolyte level (unsealed batteries only)* | X | R | | EVERY 6 M |
| ENGINE AND MOUNTING | | | | |
| Air cleaner | X | R | | Y |
| Spark plug(s) | X | R | | Y |
| GENERAL CONDITION | | | | |
| Vibration, Noise, Leakage, Temperature* | X | | | M |
| COMPLETE TUNE-UP* | TO BE COMPLETED BY A GENERAC AUTHORIZED DEALER | | | Y |



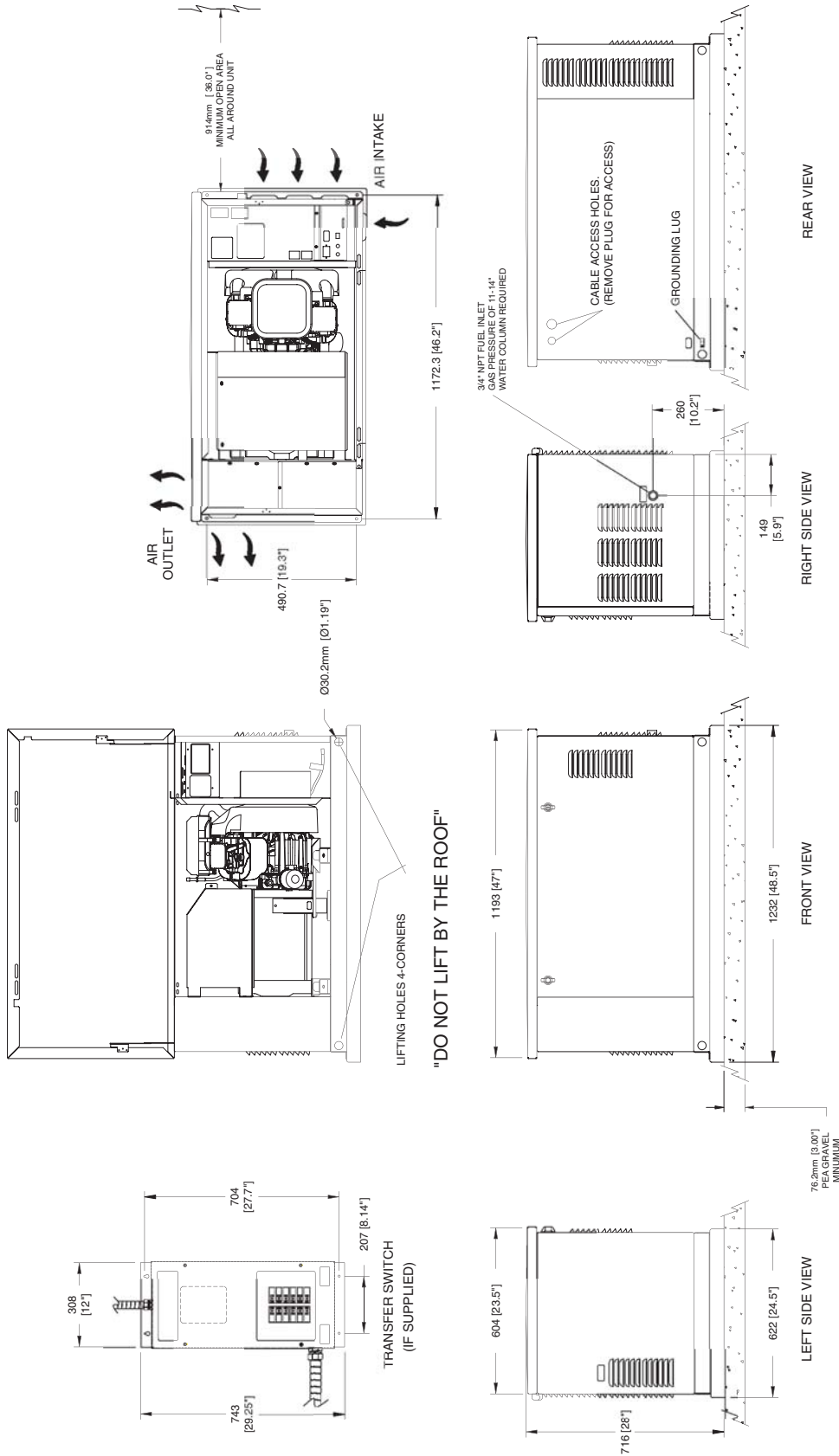
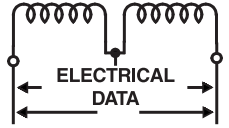
5.1 TROUBLESHOOTING GUIDE

| PROBLEM | CAUSE | CORRECTION |
|--|--|---|
| The engine will not crank. | <ol style="list-style-type: none"> 1. Fuse blown 2. Loose, corroded or defective battery cables 3. Defective starter contactor 4. Defective starter motor 5. Dead Battery | <ol style="list-style-type: none"> 1. Replace fuse. 2. Tighten, clean or replace as necessary. 3. * 4. * 5. Charge or replace battery. |
| The engine cranks but will not start. | <ol style="list-style-type: none"> 1. Out of fuel 2. Defective fuel solenoid (FS) 3. Open #14 wire from engine control board 4. Defective spark plug(s) 5. Valve Lash | <ol style="list-style-type: none"> 1. Replenish fuel. 2. * 3. * 4. Clean, re-gap or replace plug(s). 5. Reset Valve Lash. |
| The engine starts hard and runs rough. | <ol style="list-style-type: none"> 1. Air cleaner plugged or damaged 2. Defective spark plug(s) 3. Fuel regulator not set. 4. Fuel pressure incorrect. | <ol style="list-style-type: none"> 1. Check, replace air cleaner. 2. Clean, re-gap or replace plug(s). 3. Set fuel regulator. 4. Confirm fuel pressure to regulator is 11-14" water column (0.4-0.5 psi) for LP, and 5-7" water column (0.18-0.25 psi) for natural gas. |
| The AUTO/OFF/MANUAL switch is set to OFF, but the engine continues to run. | <ol style="list-style-type: none"> 1. Defective switch 2. AUTO/OFF/MANUAL switch wired incorrectly 3. Defective control board | <ol style="list-style-type: none"> 1. * 2. * 3. * |
| There is no AC output from the generator. | <ol style="list-style-type: none"> 1. Main line circuit breaker open 2. Generator internal failure | <ol style="list-style-type: none"> 1. Reset circuit breaker to ON (or closed). 2. * |
| There is no transfer to standby after utility source failure. | <ol style="list-style-type: none"> 1. Defective transfer switch coil 2. Defective transfer relay 3. Transfer relay circuit open 4. Defective control logic board | <ol style="list-style-type: none"> 1. * 2. * 3. * 4. * |
| Unit consumes large amounts of oil. | <ol style="list-style-type: none"> 1. Break-in procedure not followed (see Section 2.1) | <ol style="list-style-type: none"> 1. * |

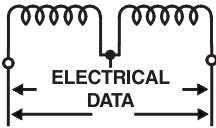
***Contact the nearest Generac Authorized Dealer for assistance.**

Section 6 – Mounting Dimensions

Air-cooled 8.5 kW Generator Drawing No. 0D3739-B



**ALL DIMENSIONS IN:
MILLIMETERS [INCHES]



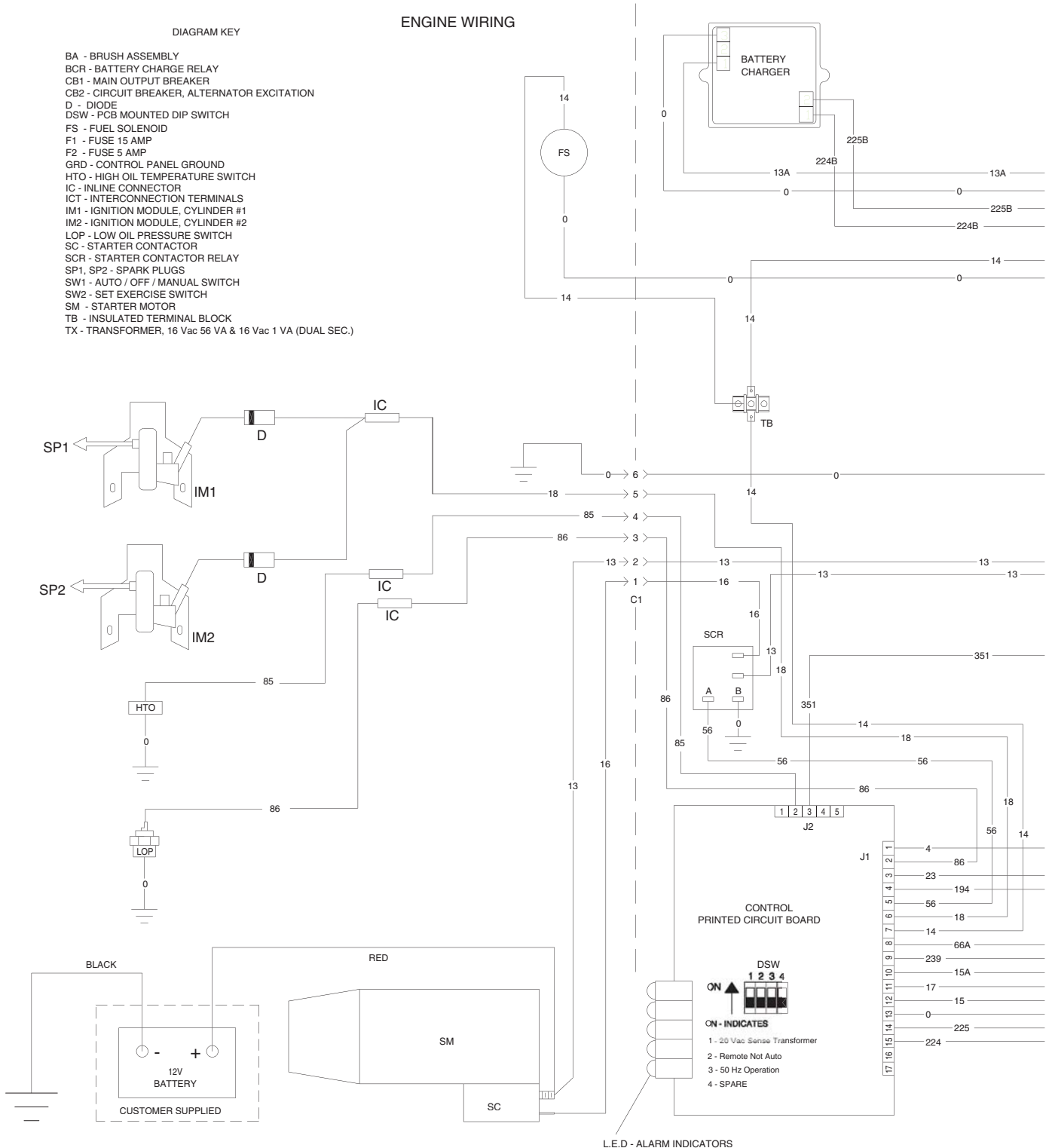
Section 7 – Electrical Data

Air-cooled 8.5 kW Generator Wiring Diagram - Drawing No. 0D8500-B

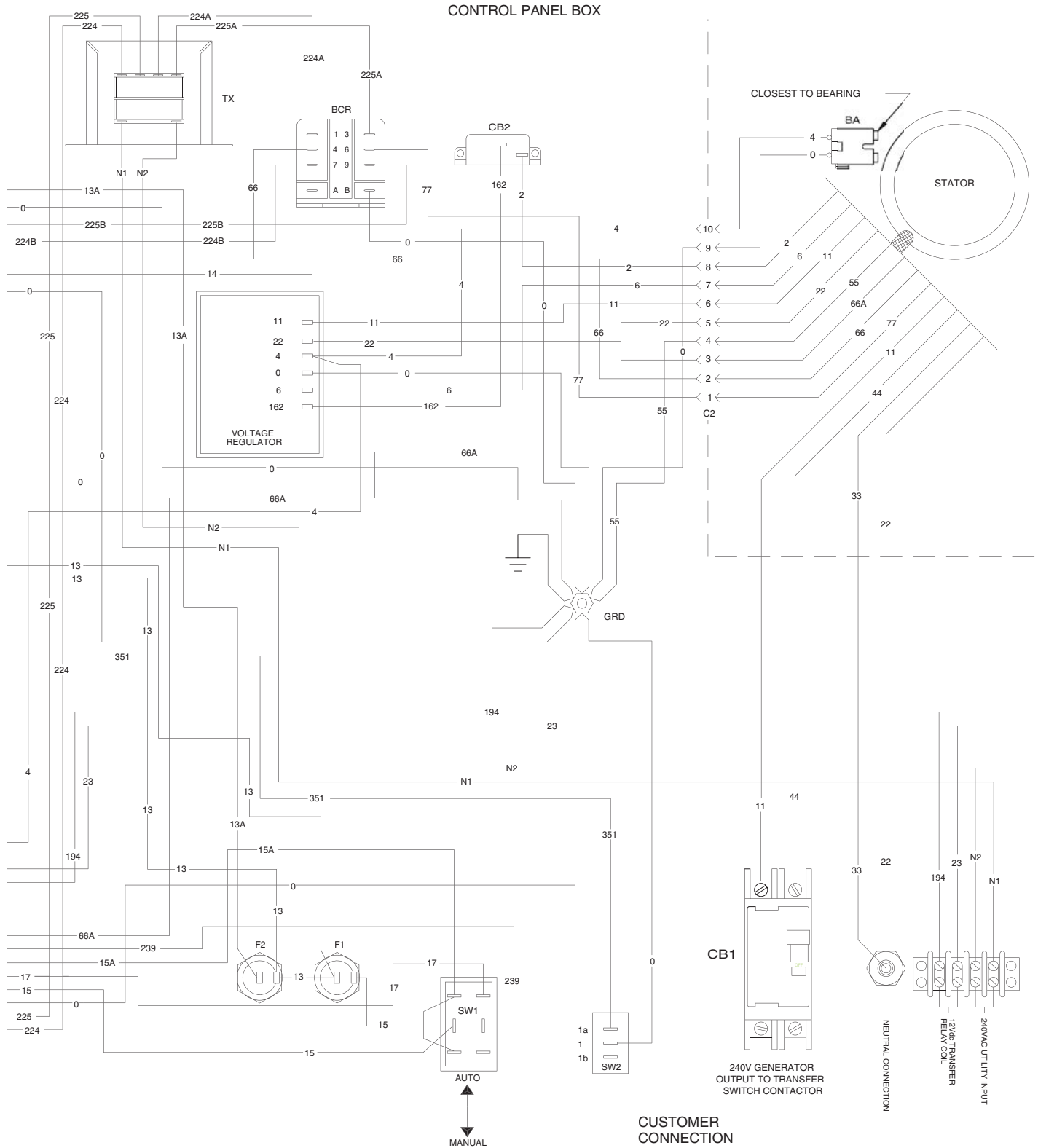
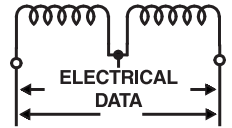
DIAGRAM KEY

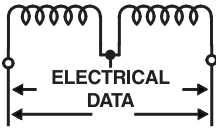
- BA - BRUSH ASSEMBLY
- BCR - BATTERY CHARGE RELAY
- CB1 - MAIN OUTPUT BREAKER
- CB2 - CIRCUIT BREAKER, ALTERNATOR EXCITATION
- D - DIODE
- DSW - PCB MOUNTED DIP SWITCH
- FS - FUEL SOLENOID
- F1 - FUSE 15 AMP
- F2 - FUSE 5 AMP
- GRD - CONTROL PANEL GROUND
- HTO - HIGH OIL TEMPERATURE SWITCH
- IC - INLINE CONNECTOR
- ICT - INTERCONNECTION TERMINALS
- IM1 - IGNITION MODULE, CYLINDER #1
- IM2 - IGNITION MODULE, CYLINDER #2
- LOP - LOW OIL PRESSURE SWITCH
- SC - STARTER CONTACTOR
- SCR - STARTER CONTACTOR RELAY
- SP1, SP2 - SPARK PLUGS
- SW1 - AUTO / OFF / MANUAL SWITCH
- SW2 - SET EXERCISE SWITCH
- SM - STARTER MOTOR
- TM - INSULATED TERMINAL BLOCK
- TX - TRANSFORMER, 16 Vac 56 VA & 16 Vac 1 VA (DUAL SEC.)

ENGINE WIRING



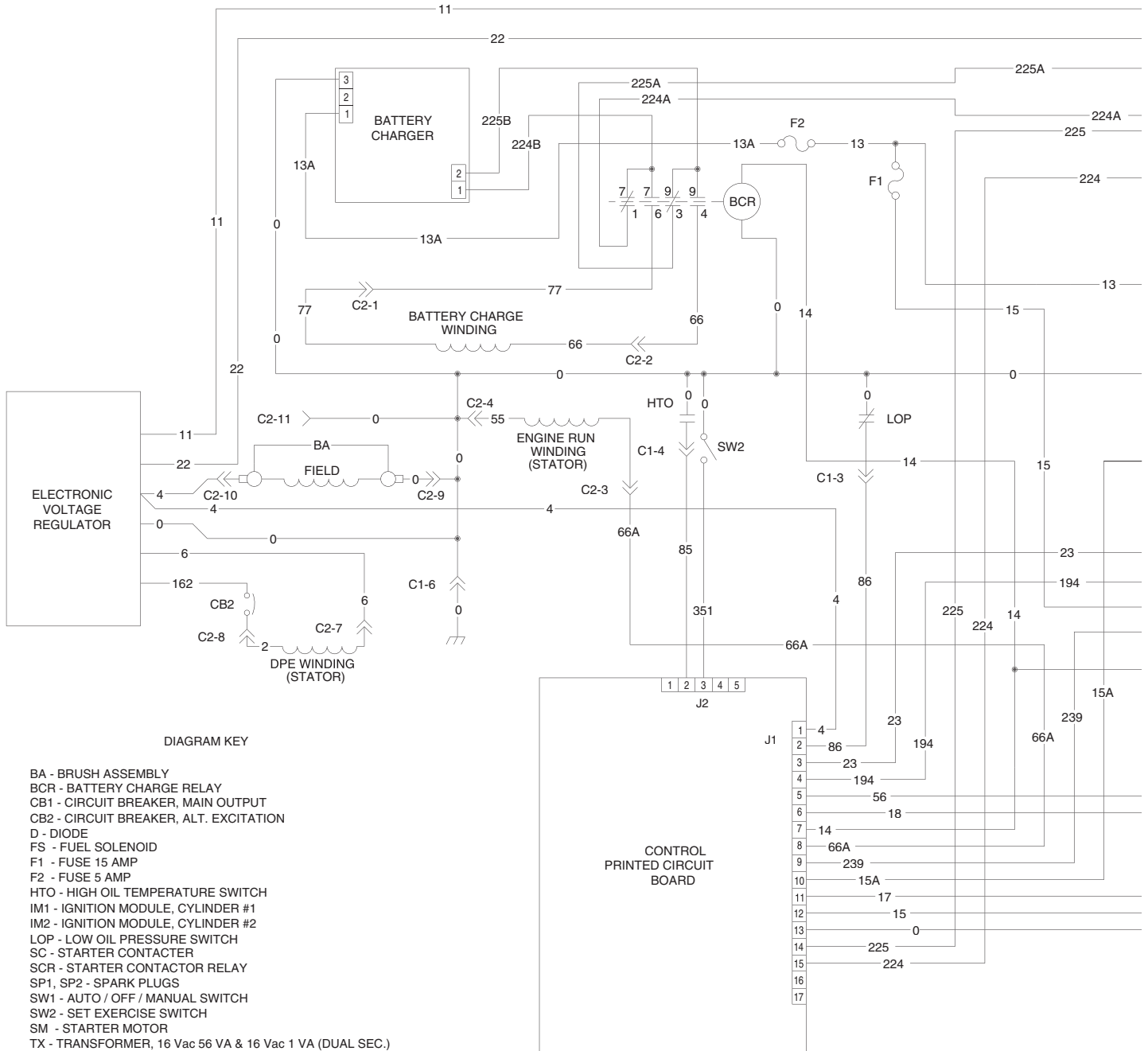
Section 7 – Electrical Data
Air-cooled 8.5 kW Generator
Wiring Diagram - 8.5 kW – Drawing No. 0D8500-B



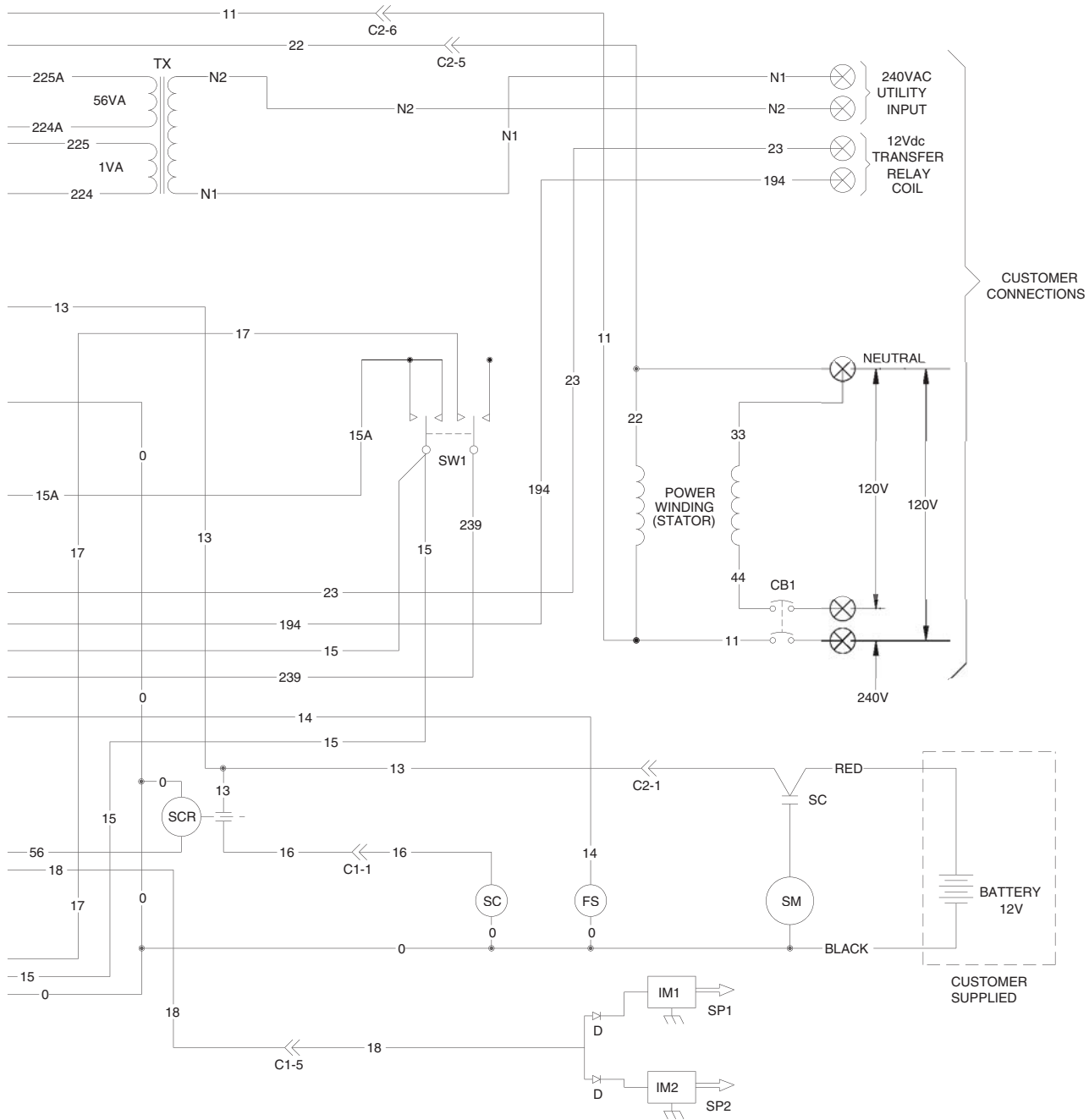
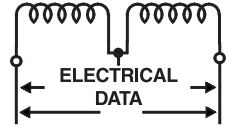


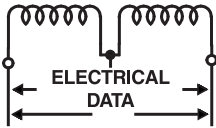
Section 7 – Electrical Data

Air-cooled 8.5 kW Generator Electrical Schematic - Drawing No. 0D8501-B



Section 7 – Electrical Data
Air-cooled 8.5 kW Generator
Electrical Schematic - Drawing No. 0D8501-B

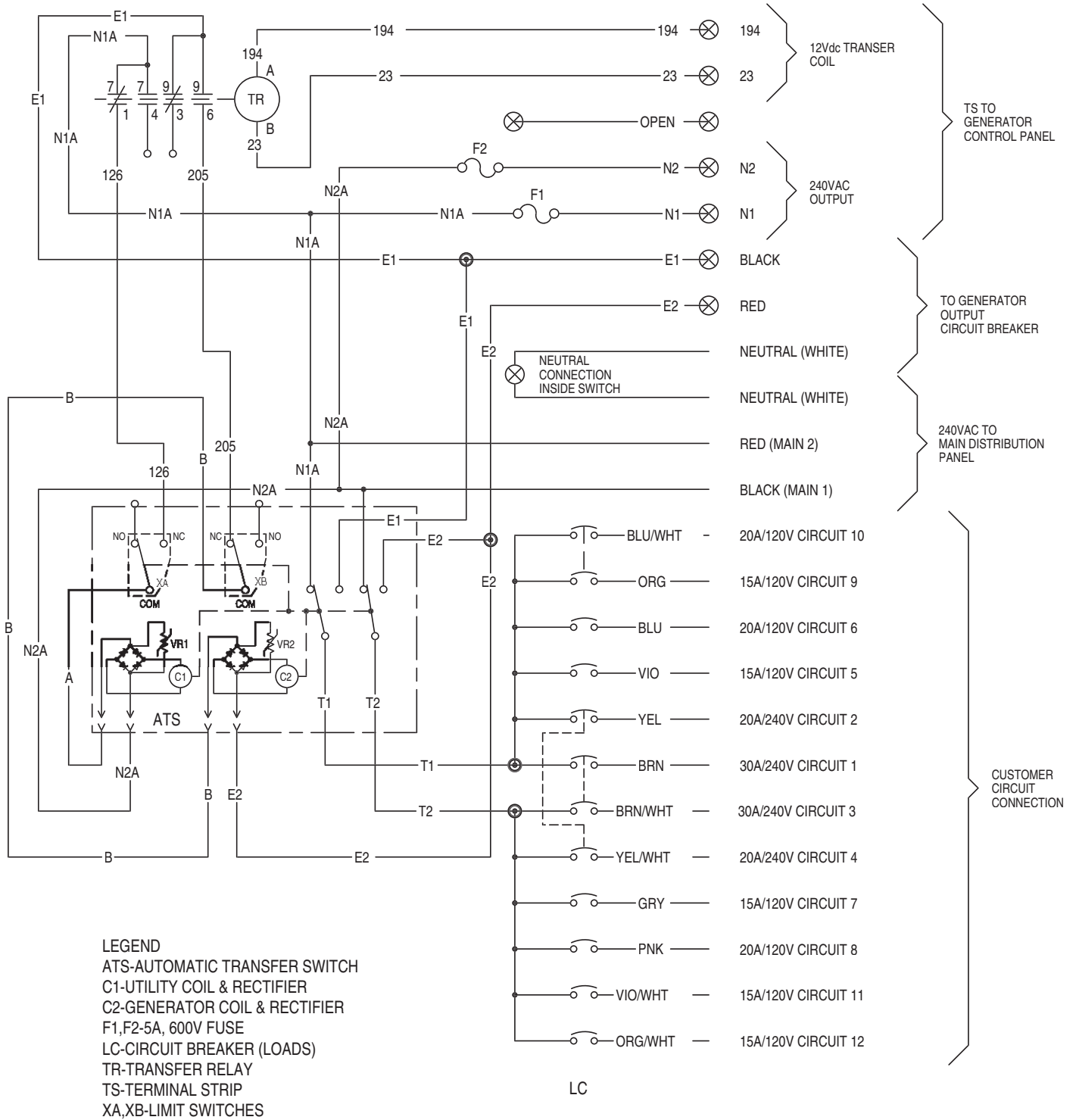




Section 7 – Electrical Data

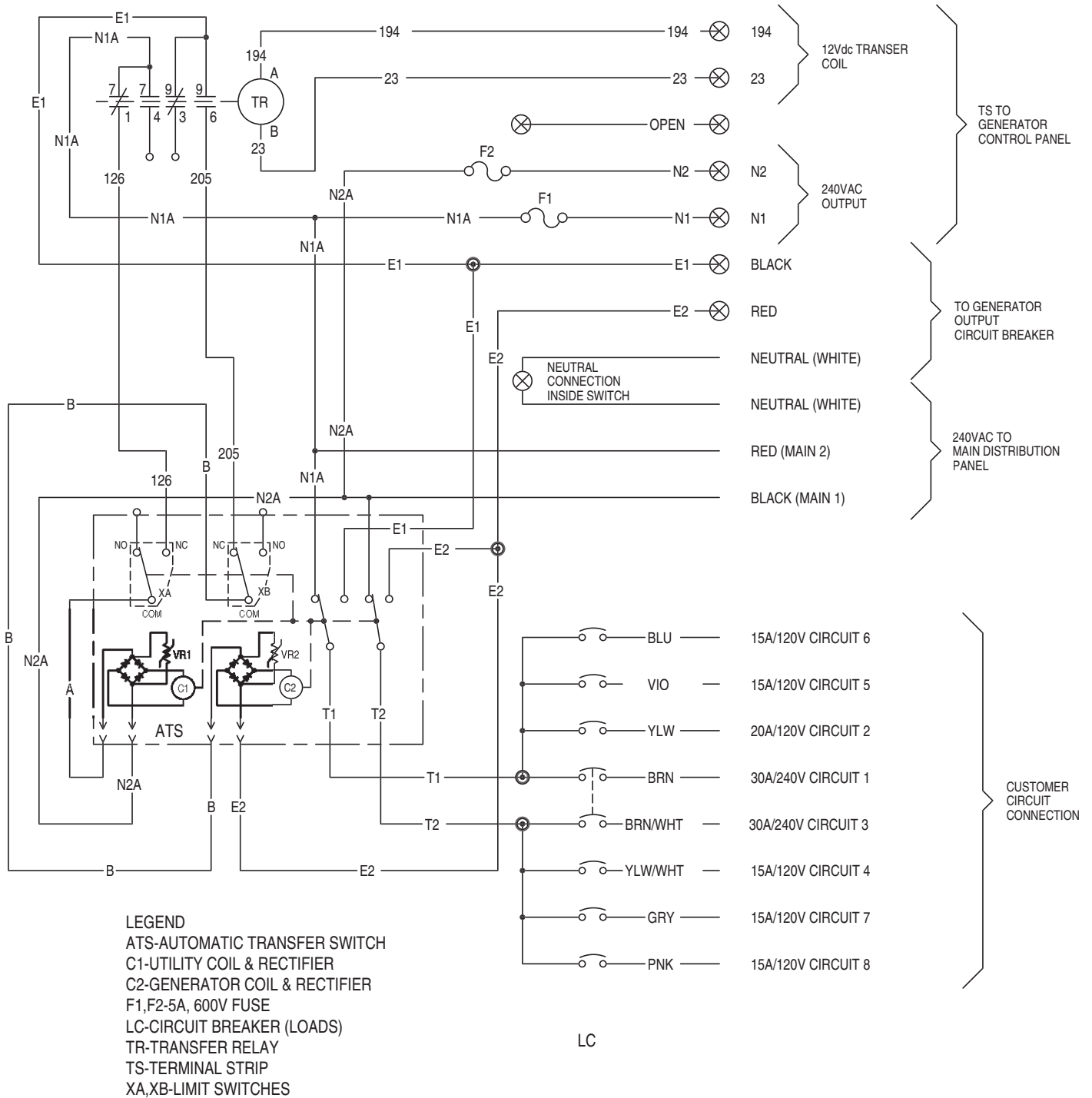
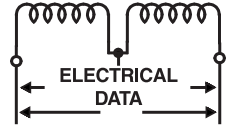
Air-cooled 8.5 kW Generator

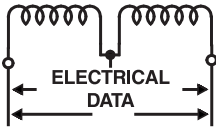
Electrical Schematic - 12 Circuit Load Center - Drawing No. 0E7815



Section 7 – Electrical Data

**Air-cooled 8.5 kW Generator
Electrical Schematic - 12 Circuit Load Center - Drawing No. 0E7815**

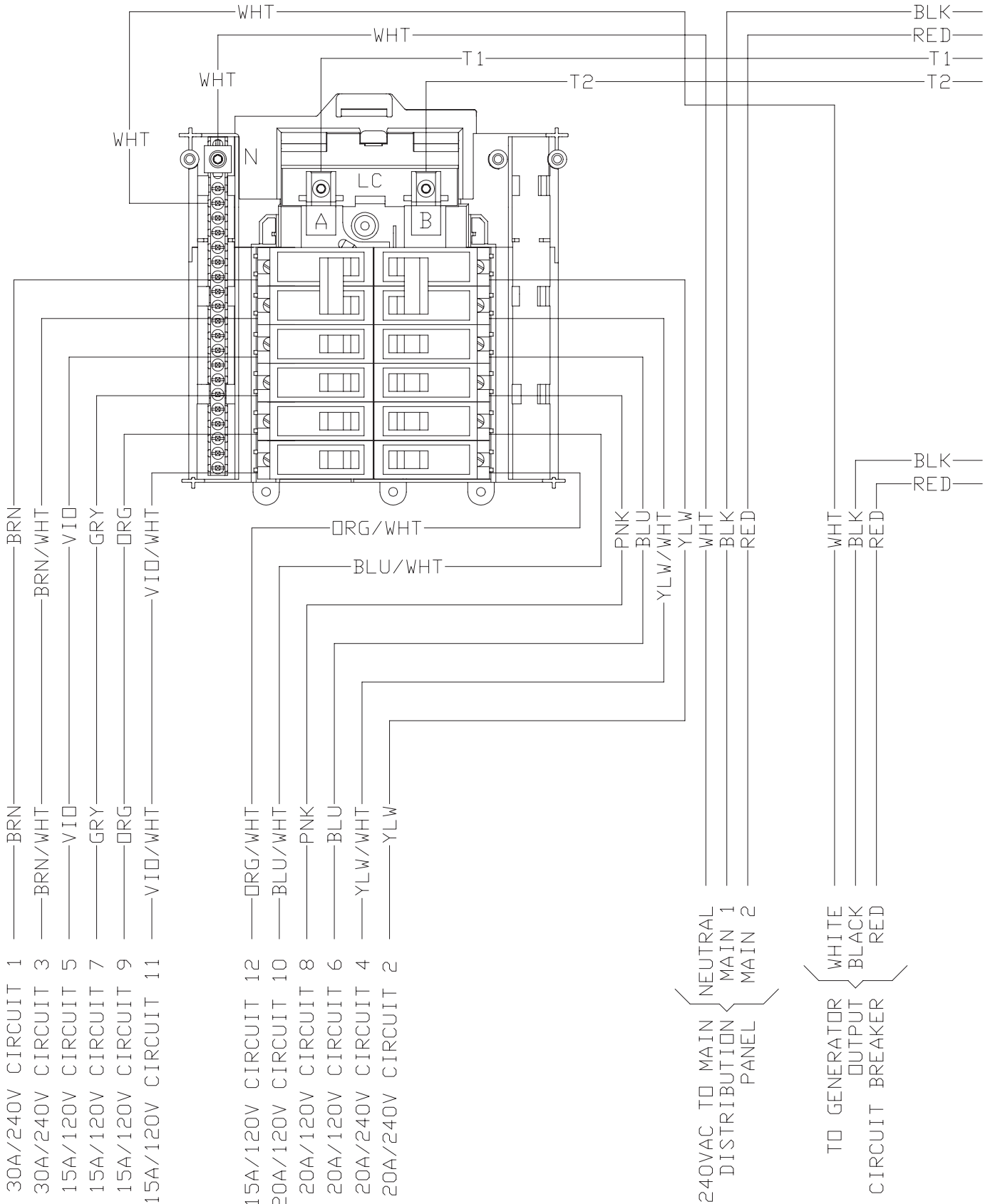




Section 7 – Electrical Data

Air-cooled 8.5 kW Generator

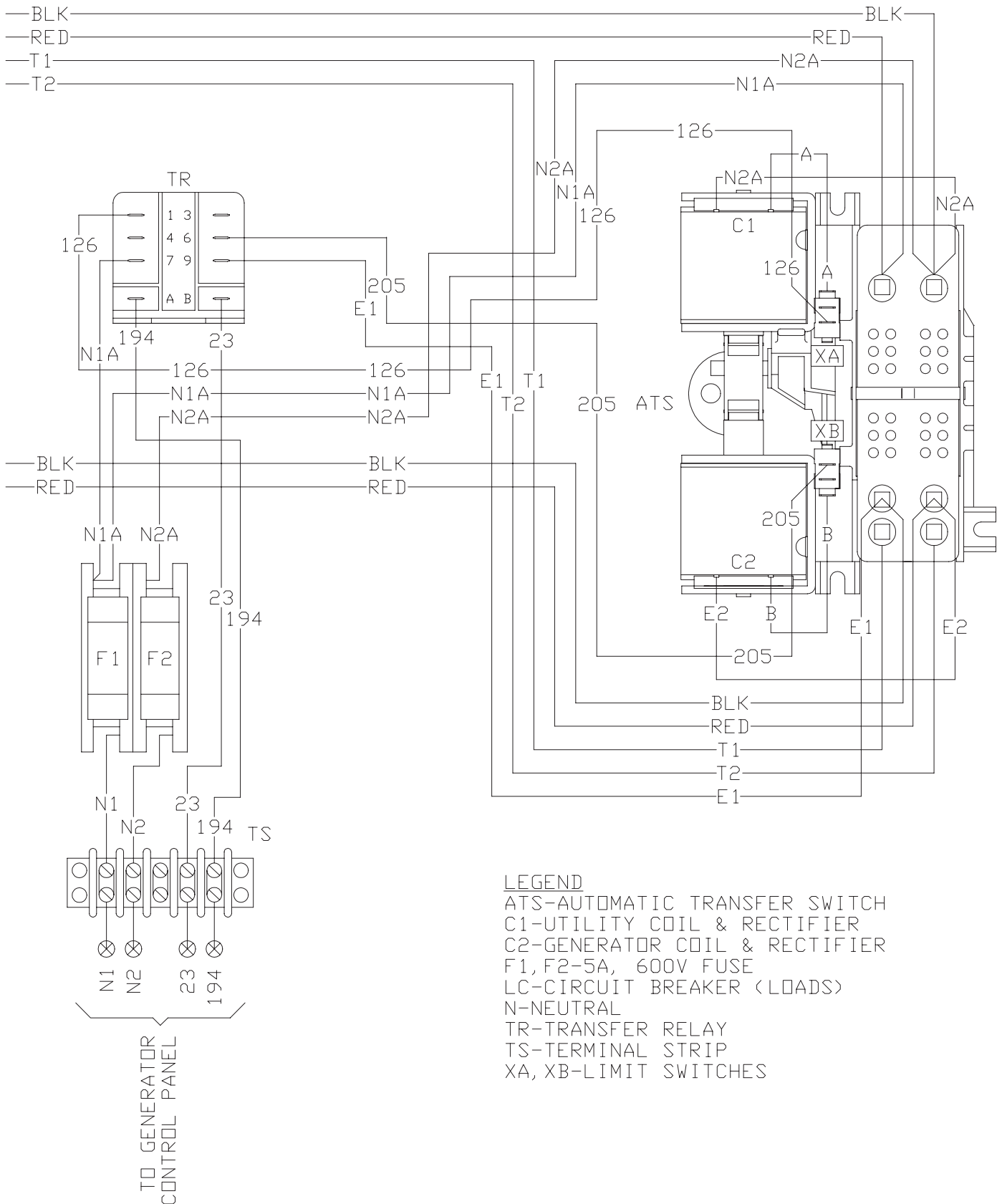
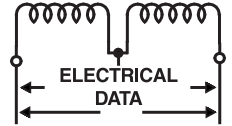
Wiring Diagram - 12 Circuit Load Center - Drawing No. 0E7687



Section 7 – Electrical Data

Air-cooled 8.5 kW Generator

Wiring Diagram - 12 Circuit Load Center - Drawing No. 0E7687



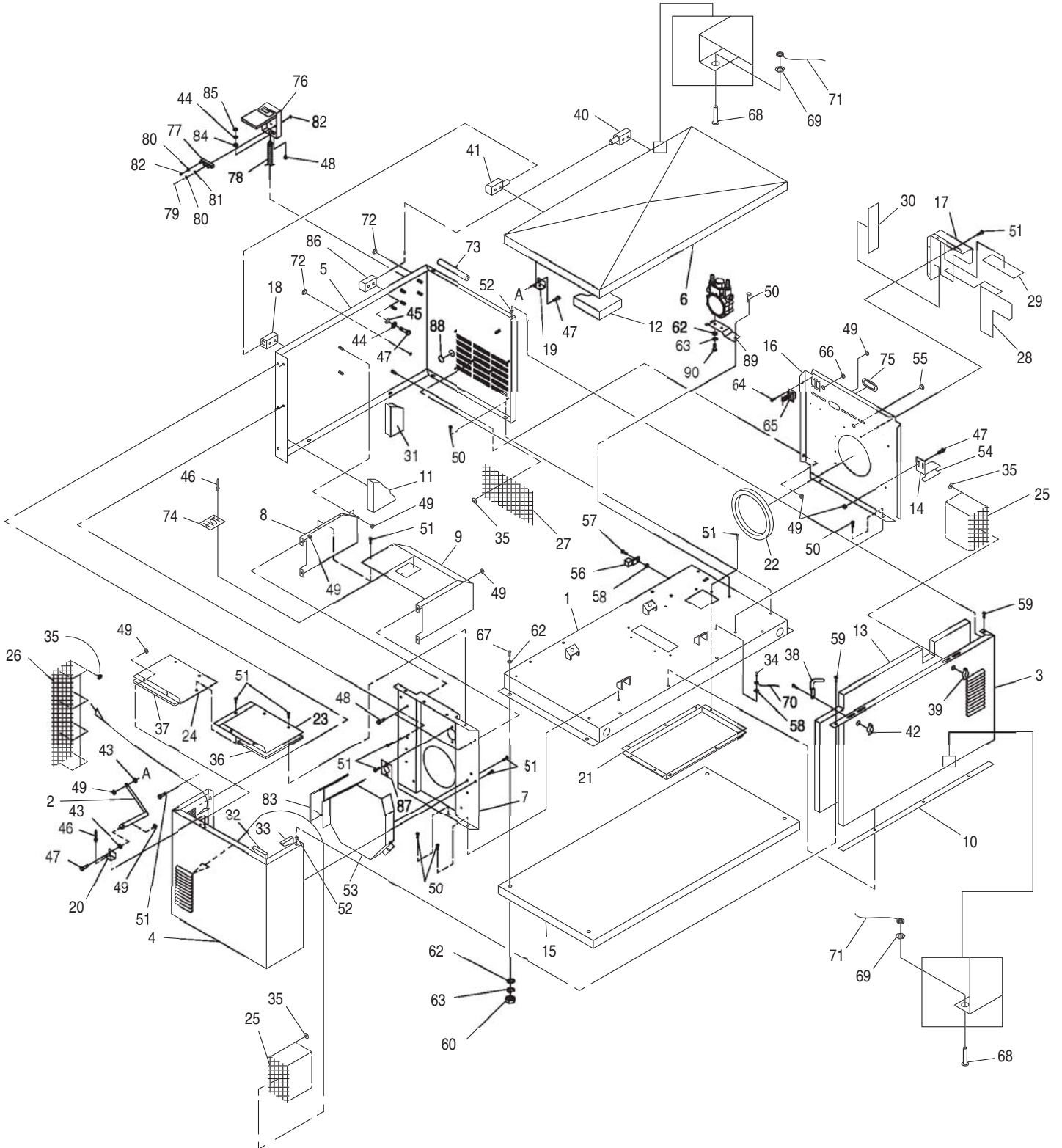
LEGEND

- ATS-AUTOMATIC TRANSFER SWITCH
- C1-UTILITY COIL & RECTIFIER
- C2-GENERATOR COIL & RECTIFIER
- F1,F2-5A, 600V FUSE
- LC-CIRCUIT BREAKER (LOADS)
- N-NEUTRAL
- TR-TRANSFER RELAY
- TS-TERMINAL STRIP
- XA,XB-LIMIT SWITCHES



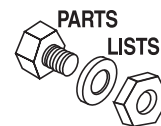
Section 8 – Exploded Views and Parts Lists

Air-cooled 8.5 kW Generator Enclosure – Drawing No. 0F0100-A



Section 8 – Exploded Views and Parts Lists

Air-cooled 8.5 kW Generator Compartment – Drawing No. 0F0100-A

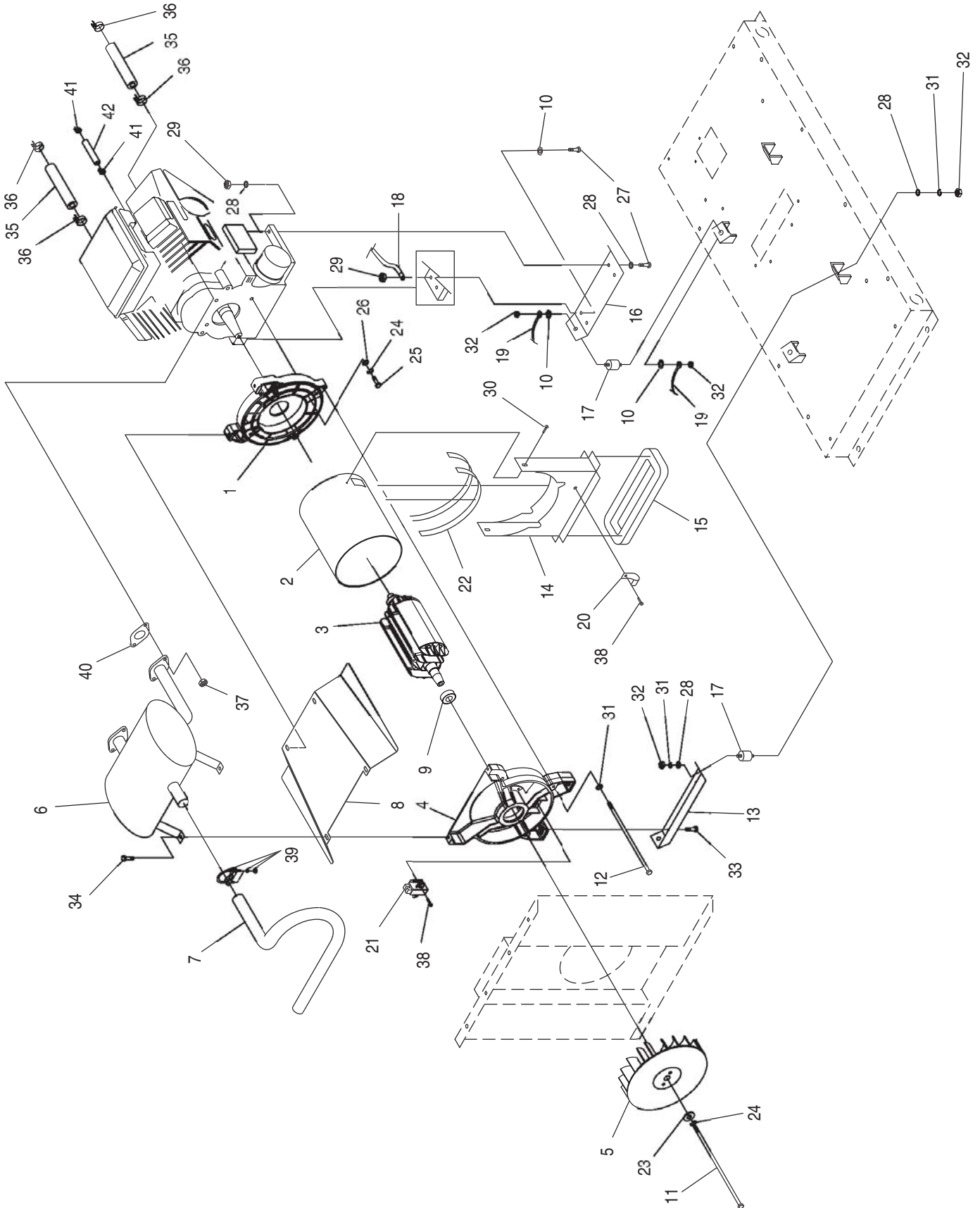


| ITEM | PART NO. | QTY. | DESCRIPTION | ITEM | PART NO. | QTY. | DESCRIPTION |
|------|----------|------|-------------------------------------|------|------------|------|---|
| 1 | 0D8312 | 1 | ASSEMBLY, ENCLOSURE BASE | 46 | 0F0710 | 14 | RIVET POP 0.125" X 0.337" |
| 2 | 0C6735 | 2 | SUPPORT, ROOF FOLDING | 47 | 047411 | 14 | SCREW HHC M6-1.0 X 16 G8.8 |
| 3 | 0F0063 | 1 | ENCLOSURE, FRONT | 48 | 043116 | 5 | SCREW HHC M6-1.0 X 12 G8.8 |
| 4 | 0C7062 | 1 | ENCLOSURE, EXHAUST SIDE | 49 | 0D3700 | 18 | NUT, LOCKING FLANGE M6-1.0 |
| 5 | 0F0066 | 1 | ENCLOSURE, SIDE & BACK | 50 | 0D4662 | 11 | SCREW HHTT M8-1.2 X 20 BP |
| 6 | 0E9873 | 1 | ENCLOSURE, ROOF | 51 | 090388 | 35 | SCREW TAPTITE M6-1.0 X 12 YC |
| 7 | 0D8333 | 1 | PANEL, ALTERNATOR DIVIDER | 52 | 092120 | 2 | NUT LOCK TRIC M6 X 1.0 Y/ZNC |
| 8 | 0C8101A | 1 | PANEL, MUFFLER BOX SIDE | 53 | 0D1606 | 1 | HOUSING, FAN |
| 9 | 0C8101B | 1 | COVER, MUFFLER BOX | 54 | 0D3167 | 1 | GASKET, BATTERY HOLD DOWN |
| 10 | 0C8283 | 1 | GASKET, DOOR SEAL | 55 | 0A3328 | 1 | PLUG, PLASTIC 0.593" |
| 11 | 0C8284A | 1 | FOAM, BACK ENCLOSURE | 56 | 055414 | 1 | LUG SLDLSS #2-#8X17/64 CU |
| 12 | 0C8284B | 1 | FOAM, ROOF ENCLOSURE | 57 | 092079 | 1 | SCREW TAPTITE M6-1.0X25 BP |
| 13 | 0C8284C | 1 | FOAM, FRONT ENCLOSURE | 58 | 0A1658 | 2 | L/WASH SPECIAL ¼ |
| 14 | 0C8285 | 1 | BRACKET, BATTERY SUPPORT | 59 | 0C3906 | 2 | SELF-ALIGN SCREW M6 HH |
| 15 | 0C8899A | 1 | PAD, 24"X48" WITH MOUNTING HOLES | 60 | 045771 | 4 | NUT HEX M8-1.25 G8 YC |
| 16 | 0D1128 | 1 | PANEL, ENGINE DIVIDER | 61 | 0388040AJ0 | 1 | CABLE, #6 RED BATTERY 38.5" (NOT SHOWN) |
| 17 | 0E4244 | 1 | BAFFLE, INTAKE | 62 | 022145 | 10 | WASHER FLAT 5/16" ZINC |
| 18 | 0D2538A | 1 | HINGE, LIFT OFF, TYPE B KNUCKLE | 63 | 022129 | 6 | WASHER LOCK 5/16 |
| 19 | 0D1839 | 2 | BRACKET, TOP SUPPORT | 64 | 074908 | 8 | SCREW TAPTITE M5-0.8 X 10 BP |
| 20 | 0D1840 | 2 | BRACKET, BOTTOM SUPPORT | 65 | 0D2346 | 1 | HARNES, ENGINE |
| 21 | 0D2425 | 1 | DUCT, BASE AIR | 66 | 023484F | 1 | BUSHING, SNAP SB-1000-12 |
| 22 | 0D2588 | 1 | GASKET, FRONT DIVIDER | 67 | 043107 | 4 | SCREW HHC M8-1.25 X 25 G8.8 |
| 23 | 0D2676 | 1 | COVER, FRONT EXHAUST ENCLOSURE | 68 | 0A7836 | 2 | RIVET, 1/8" X 0.126" - 0.375" LSH POP |
| 24 | 0D2677 | 1 | COVER, BACK EXHAUST ENCLOSURE | 69 | 0A8475 | 2 | L/WASH SPECIAL #10 |
| 25 | 0D2979B | 2 | CLOTH, HARDWARE 266.7mm x 146mm | 70 | 0912970069 | 1 | ASSEMBLY,BASE/C-PNL GRND WIRE |
| 26 | 0D2979C | 1 | CLOTH, HARDWARE 543mm x 146mm | 71 | 0912970070 | 2 | ASSEMBLY,BASE/DOOR GROUND WIRE |
| 27 | 0D2979D | 1 | CLOTH, HARDWARE 266.7mm x 387.4mm | 72 | 055450 | 2 | PLUG PLASTIC 1.375 |
| 28 | 0E4245 | 1 | FOAM, FRONT INTAKE BAFFLE | 73 | 0E5968 | 11 | GASKET, EXTRUDED TRIM |
| 29 | 0E4245A | 1 | FOAM, TOP INTAKE BAFFLE | 74 | 0D3701 | 1 | PLATE, "HOT" |
| 30 | 0E4245B | 1 | FOAM, BACK INTAKE BAFFLE | 75 | 0D3472 | 1 | GROMMET 2.75 X 1/16 |
| 31 | 0D3057D | 1 | FOAM, BACK ENCL. STRIP | 76 | 0C8742 | 1 | EXTERNAL CONNECTION BOX |
| 32 | 0D3059A | 1 | FOAM, EXHAUST SIDE ENCLOSURE END | 77 | 0C8911 | 1 | POWER BLOCK |
| 33 | 0D3059B | 1 | FOAM, EXHAUST SIDE ENCLOSURE FRONT | 78 | 0D8442 | 1 | HARNES GENERATOR TO EXTERNAL CONNECTION BOX |
| 34 | 0E2874 | 1 | SCREW HHTR 1/4-20 X 3/4 | 79 | 036937 | 2 | SCREW PPHM #10-32 X 1 |
| 35 | 0D7176 | 24 | WASHER, SELF LOCKING | 80 | 022152 | 5 | WASHER LOCK #10 |
| 36 | 0D3059D | 1 | FOAM, FRONT EXHAUST ENCLOSURE COVER | 81 | 051713 | 2 | WASHER FLAT M5 |
| 37 | 0D3059E | 1 | FOAM, BACK EXHAUST ENCLOSURE COVER | 82 | 022158 | 5 | NUT HEX #10-32 STEEL |
| 38 | 0C7781A | 2 | DOOR, PAWL | 83 | 0D3059C | 1 | FOAM, EXHAUST FAN HOUSING |
| 39 | 0D3037 | 1 | LATCH, QUARTER TURN LOCKING | 84 | 026850 | 1 | WASHER SHAKPROOF EXT 1/4 STEEL |
| 40 | 0D2537 | 1 | HINGE, LIFT OFF, TYPE A PIN | 85 | 049813 | 1 | NUT HEX M6-1.0 G8 YELLOW CHROME |
| 41 | 0D2538 | 1 | HINGE, LIFT OFF, TYPE B PIN | 86 | 0D2537A | 1 | HINGE, LIFT OFF, TYPE A KNUCKLE |
| 42 | 0D3037A | 1 | LATCH, QUARTER TURN NON-LOCKING | 87 | 0E4321 | 1 | PANEL, EXHAUST ALIGNMENT |
| 43 | 0A2115 | 4 | WASHER NYLON .250" | 88 | 0E1330A | 1 | GROMMET, 38.1 CROSS SLIT WITH HOLE |
| 44 | 022097 | 9 | WASHER LOCK M6-1/4" | 89 | 0E9692 | 1 | BRACKET, REGULATOR MOUNTING |
| 45 | 022473 | 8 | WASHER FLAT ¼" ZINC | 90 | 042907 | 2 | SCREW HHC M8-1.25 X 16mm |



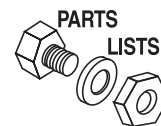
Section 8 – Exploded Views and Parts Lists

Air-cooled 8.5 kW Generator Engine & Alternator – Drawing No. 0D8446-C



Section 8 – Exploded Views and Parts Lists

Air-cooled 8.5 kW Generator Engine & Alternator – Drawing No. 0D8446-C



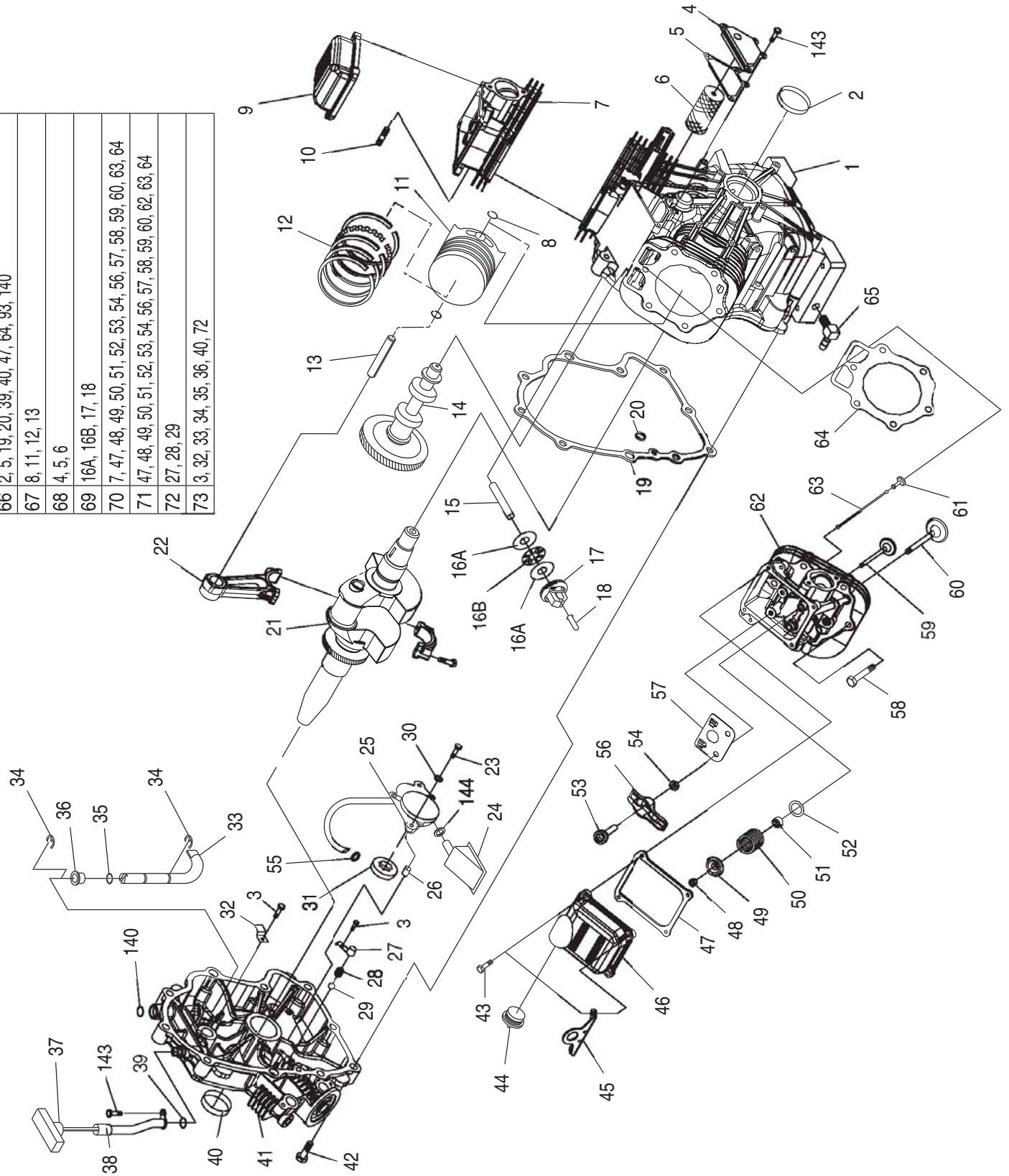
| ITEM | PART NO. | QTY. | DESCRIPTION |
|------|------------|---------|-------------------------------------|
| 1 | 0C6934 | 1 | ADAPTOR, ENGINE |
| 2 | 0D8062H | 1 | STATOR |
| 3 | 0D8057H | 1 | ROTOR |
| 4 | 0C6043A | 1 | CARRIER, REAR BEARING |
| 5 | 0D8274 | 1 | FAN, 12" CURVED BLADE |
| 6 | 0D6634A | 1 | MUFFLER |
| 7 | 0D3220 | 1 | TAIL PIPE, MUFFLER |
| 8 | 0D8314 | 1 | PANEL, MUFFLER BASE |
| 9 | 056482 | 1 | BEARING 1.1811-2.8346 |
| 10 | 0C3168 | 3 | 5/16 SPECIAL LOCK WASHER |
| 11 | 0D8313 | 1 | BOLT, HHCS 3/8"-24 x 14.2" |
| 12 | 0D1846 | 4 | BOLT, HHCS M8-1.25 x 345mm |
| 13 | 0C7038 | 1 | BRACKET, ALTERNATOR MOUNTING |
| 14 | 0D1647 | 1 | DUCT, ALTERNATOR AIR |
| 15 | 0D2558 | 1 | GASKET, ALTERNATOR AIR DUCT |
| 16 | 0C7038A | 1 | BRACKET, ENGINE MOUNTING |
| 17 | 0C7758 | 4 | RUBBER MOUNT |
| 18 | 0388050AD0 | 1 | CABLE, #6 48" BLACK BATTERY |
| 19 | 0C2417A | 1 | EARTH STRAP 3/8X 3/8 |
| 20 | 082121C | 1 | CLIP-J, VYNL COAT 0.625" ID |
| 21 | 066386 | 1 | ASSEMBLY BRUSH HOLDER |
| 22 | 029451 | 1.8 FT | TAPE ELEC UL FOAM 1/8 X 1/2 |
| 23 | 049451 | 1 | WASHER FLAT .406ID X 1.62OD |
| 24 | 022237 | 5 | WASHER LOCK 3/8 |
| 25 | 022511 | 4 | SCREW HHC 3/8-16 X 1-1/4 G5 |
| 26 | 022131 | 4 | WASHER FLAT 3/8 ZINC |
| 27 | 039288 | 4 | SCREW HHC M8-1.25 x 55 G8.8 |
| 28 | 022145 | 14 | WASHER FLAT 5/16 ZINC |
| 29 | 049820 | 4 | NUT LOCK HEX M8-1.25 NYL INSERT |
| 30 | 045756 | 2 | SCREW TAPTITE M6-1.0X10 BP |
| 31 | 022129 | 10 | WASHER LOCK M8-5/16 |
| 32 | 022259 | 8 | NUT HEX 5/16-18 STEEL |
| 33 | 059637 | 2 | SCREW TAPTITE 3/8-16 X 3/4 BP |
| 34 | 0D4662 | 4 | SCREW 5/16-18X3/4" HH THD ROLL |
| 35 | 074994 | 3 FT | HOSE RES 1/2 LP GAS |
| 36 | 057822 | 4 | CLAMP HOSE #8 .53 - 1.00 |
| 37 | 0F0462 | 4 | NUT HEX W/TOOTH WSHR M8-1.25 |
| 38 | 0C2824 | 3 | SCREW TAP-R #10-32 x 9/16 |
| 39 | 025145 | 1 | U-BOLT 5/16"-18 X 1.25" WITH SADDLE |
| 40 | 0C4138 | 2 | GASKET, EXHAUST PORT |
| 41 | 048031C | 2 | CLAMP HOSE BAND 1/4" |
| 42 | 030340 | 1.33 FT | HOSE 1/4" I.D. |
| 41 | 048031C | 2 | CLAMP HOSE BAND 1/4" |
| 42 | 030340 | 1.33 FT | HOSE 1/4" I.D. |



Section 8 – Exploded Views and Parts Lists

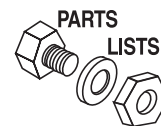
Air-cooled 8.5 kW Generator Engine – Drawing No. 0E8774-G Part 1

| | |
|----|--|
| 66 | 2, 5, 19, 20, 39, 40, 47, 64, 93, 140 |
| 67 | 8, 11, 12, 13 |
| 68 | 4, 5, 6 |
| 69 | 16A, 16B, 17, 18 |
| 70 | 7, 47, 48, 49, 50, 51, 52, 53, 54, 56, 57, 58, 59, 60, 63, 64 |
| 71 | 47, 48, 49, 50, 51, 52, 53, 54, 56, 57, 58, 59, 60, 62, 63, 64 |
| 72 | 27, 28, 29 |
| 73 | 3, 32, 33, 34, 35, 36, 40, 72 |



Section 8 – Exploded Views and Parts Lists

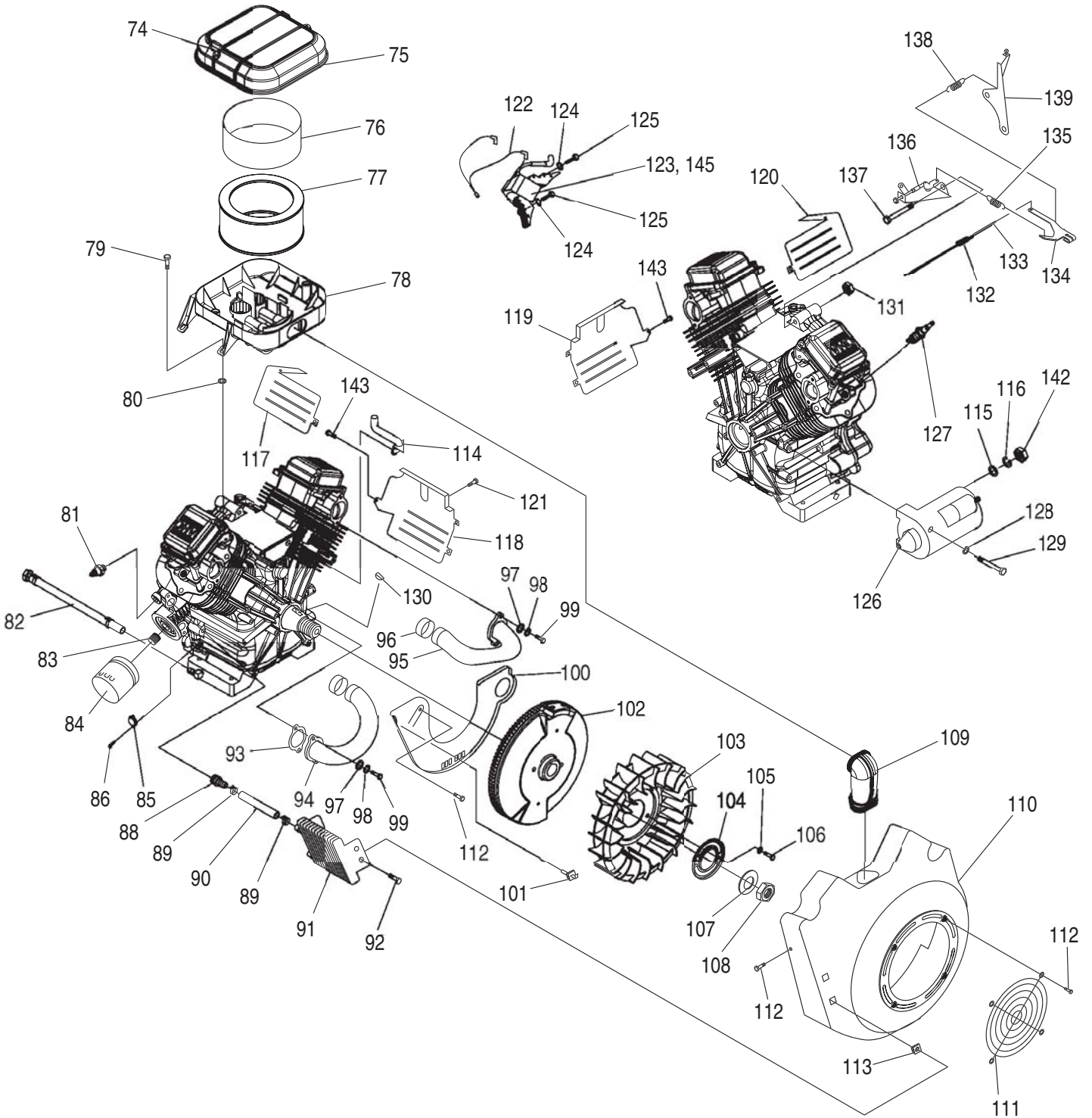
Air-cooled 8.5 kW Generator Engine – Drawing No. 0E8774-G Part 1



| ITEM | PART NO. | QTY. | DESCRIPTION | ITEM | PART NO. | QTY. | DESCRIPTION |
|------|----------|------|--|------|----------|------|---------------------------------------|
| 1 | 0C5729 | 1 | ASSEMBLY, CRANKCASE HOUSING WITH SLEEVE | 37 | 0C3971C | 1 | ASSEMBLY, DIPSTICK WITH HANDLE |
| 2 | 0E9843 | 1 | SEAL, 38 I.D. CRANKSHAFT | 38 | 0C5305 | 1 | TUBE, DIPSTICK |
| 3 | 090388 | 3 | SCREW, TAPTITE M6-1.0 X 12 YC | 39 | 0C3027 | 1 | O-RING, OIL CLR 3/8 X 1/2 |
| 4 | 0C5372 | 1 | ASSEMBLY, BREATHER | 40 | 0E9842 | 1 | SEAL, 42 I.D. CRANKSHAFT |
| 5 | 0C3005 | 1 | GASKET, BREATHER COVER | 41 | 0C5731 | 1 | ASSEMBLY, HOUSING COVER WITH SLEEVE |
| 6 | 0E3372B | 3 | SEPARATOR, OIL BREATHER | 42 | 0C3006 | 9 | SCREW, HHFC M10-1.5 X 55 |
| 7 | 0D8067A | 1 | ASSEMBLY, HEAD #1 G&S | 43 | 080318 | 8 | SCREW HHFC M6-1.0 X 25 |
| 8 | 071983 | 4 | RETAINER, PISTON PIN 20 | 44 | 093064 | 1 | ASSEMBLY, OIL FILL CAP |
| 9 | 0C2981C | 1 | ROCKER, COVER NO OIL FILL | 45 | 0C8808 | 2 | HOOK, LIFTING |
| 10 | 045761A | 4 | STUD M8-1.25/10MM X 30 G5 ZINC | 46 | 0D2723B | 1 | ROCKER, COVER WITH OIL FILL |
| 11 | 0E2985 | 2 | PISTON, HC | 47 | 0C2979 | 2 | GASKET, VALVE COVER |
| 12 | 021533 | 2 | SET, PISTON RING 90MM | 48 | 086515 | 8 | KEEPER, VALVE SPRING |
| 13 | 0E1466 | 2 | PIN PISTON | 49 | 0D2274 | 4 | RETAINER, VALVE SPRING |
| 14 | 0D4041 | 1 | ASSEMBLY, CAMSHAFT & GEAR | 50 | 0D3867 | 4 | SPRING, VALVE |
| 15 | 0C2983 | 1 | SHAFT, GOVERNOR | 51 | 078672 | 2 | SEAL, VALVE STEM D7 |
| 16A | 0C2985A | 2 | ROLLER BEARING, GOVERNOR PLATE | 52 | 0C5371 | 4 | WASHER, VALVE SPRING |
| 16B | 0C2985B | 1 | ROLLER BEARING, GOVERNOR | 53 | 072694 | 4 | STUD, ROCKER ARM PIVOT |
| 17 | 0D4042 | 1 | ASSEMBLY, GOVERNOR GEAR | 54 | 0D3998 | 4 | NUT HEX M8-1.0 G8 YEL CHR |
| 18 | 0A7811 | 1 | SPOOL, GOVERNOR MACHINED | 55 | 0C3027 | 2 | O-RING, 3/8" X 1/2" |
| 19 | 0C2977 | 1 | GASKET, CRANK CASE | 56 | 0D5313 | 4 | ROCKER ARM |
| 20 | 0C5943 | 1 | SEAL, OIL PASSAGE | 57 | 0D6024 | 2 | PLATE, PUSH ROD GUIDE |
| 21 | 0E4357E | 1 | ASSEMBLY, CRANKSHAFT HORIZONTAL DIRECT DRIVE | 58 | 0C2976 | 12 | SCREW HHFC M8-1.25 X 65 |
| 22 | 0E3223 | 2 | ASSEMBLY, CONNECTING ROD | 59 | 086516 | 2 | VALVE, EXHAUST |
| 23 | 0D2157 | 2 | SCREW SHC M6-1.0 X 50 G8.8 | 60 | 0C2229 | 2 | VALVE, INTAKE |
| 24 | 0E6098 | 1 | SCREEN, OIL PICKUP | 61 | 083897 | 4 | TAPPET, SOLID |
| 25 | 0D4123A | 1 | ASSEMBLY, OIL PUMP | 62 | 0D8067B | 1 | ASSEMBLY, HEAD #2 G&S |
| 26 | 078699E | 2 | SLEEVE, SEAMED DOWEL 10 DIA. | 63 | 0D9853D | 4 | PUSHROD, 147 |
| 27 | 0C3011 | 2 | COVER, OIL RELIEF | 64 | 0C2978 | 2 | GASKET, HEAD |
| 28 | 0C3009 | 2 | SPRING, OIL RELIEF | 65 | 043790A | 1 | BARBED ELBOW 90 3/8NPT X 3/8 LOCKTITE |
| 29 | 0C3010 | 2 | BALL, 1/2D OIL RELIEF | 66 | 0D4010 | 1 | KIT GASKET |
| 30 | 093873 | 2 | WASHER, LOCK RIB M6 | 67 | 0D4011 | 1 | KIT PISTON & RINGS |
| 31 | 0C5315 | 1 | GEROTOR, OUTER | 68 | 0D4012 | 1 | KIT BREATHER ASSEMBLY |
| 32 | 0C5998 | 1 | CLAMP, OIL TUBE | 69 | 0D4013 | 1 | KIT GOVERNOR ASSEMBLY |
| 33 | 0D1667 | 1 | ARM, GOVERNOR | 70 | 0D8675A | 1 | KIT HEAD ASSEMBLY CYLINDER 1 |
| 34 | 0C2991 | 2 | E-RING, GOVERNOR ARM | 71 | 0D8675B | 1 | KIT HEAD ASSEMBLY CYLINDER 2 |
| 35 | 0C2988 | 1 | THRUST WASHER, GOVERNOR | 72 | 0D4015 | 1 | KIT OIL RELIEF |
| 36 | 0C2992 | 1 | BUSHING, GOVERNOR LOWER | 73 | 0D4016 | 1 | KIT GEAR COVER |

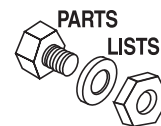
Section 8 – Exploded Views and Parts Lists

**Air-cooled 8.5 kW Generator
Engine – Drawing No. 0E8774-G Part 2**



Section 8 – Exploded Views and Parts Lists

Air-cooled 8.5 kW Generator Engine – Drawing No. 0E8774-G Part 2



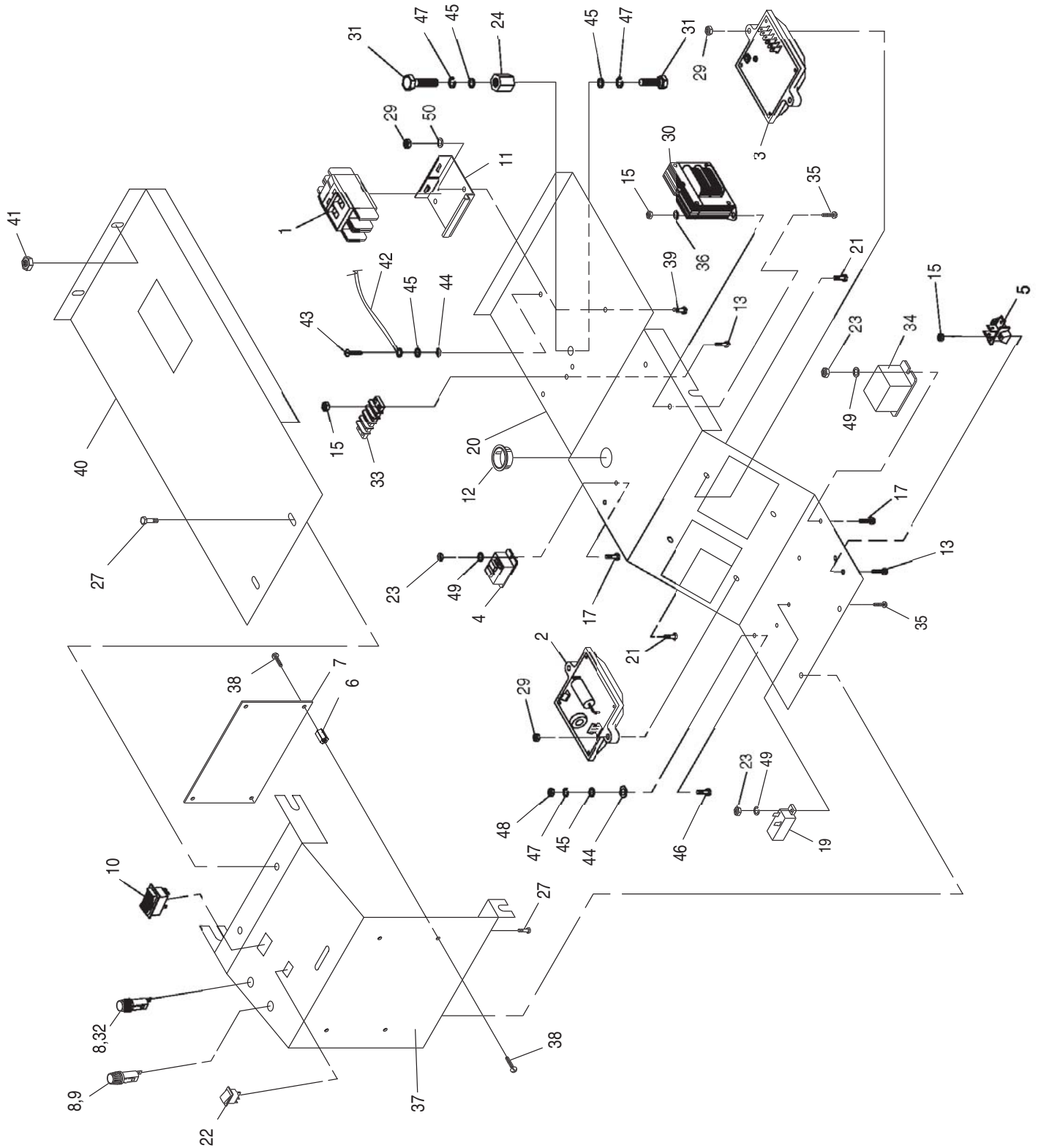
| ITEM | PART NO. | QTY. | DESCRIPTION | ITEM | PART NO. | QTY. | DESCRIPTION |
|------|----------|------|---|------|----------|------|-------------------------------------|
| 74 | 0C5136A | 2 | KNOB, AIR CLEANER | 110 | 0C3022A | 1 | HOUSING, BLOWER NG COOLER |
| 75 | 0C3024 | 1 | COVER, AIRBOX NG/LP | 111 | 0D1131 | 1 | GUARD, FAN |
| 76 | 0C3040 | 1 | PRE-CLEANER, | 112 | 045756 | 25 | SCREW TAPTITE M6-1X10 YELLOW CHROME |
| 77 | 0C8127 | 1 | ELEMENT, AIR CLEANER | 113 | 0C9763 | 4 | NUT, GROMMET 1/4 PLUG |
| 78 | 0D8564A | 1 | ASSEMBLY, MIXER/AIRBOX 990 | 114 | 0C3036A | 1 | HOSE, BREATHER |
| | 0D8564B | 1 | ASSEMBLY, MIXER/AIRBOX 760 | 115 | 022145 | 1 | WASHER FLAT 5/16-M8 ZINC |
| 79 | 0D2595 | 4 | SCREW SHOULDER (8MM) M6-1.0 X 18 | 116 | 022129 | 1 | WASHER LOCK M8-5/16 |
| 80 | 0D4417 | 4 | WASHER,RUBBER 1/4" X 1/8" THICK | 117 | 0C3018 | 1 | WRAPPER, UPPER CYLINDER 1 |
| 81 | 0C3025 | 1 | SWITCH, OIL PRESS | 118 | 0C3019 | 1 | WRAPPER, LOWER CYLINDER 1 |
| 82 | 0D3083 | 1 | ASSEMBLY, OIL DRAIN HOSE | 119 | 0D1142A | 1 | WRAPPER, LOWER CYLINDER 2 |
| 83 | 0C7292 | 1 | NIPPLE, 3/4"-16 UNF | 120 | 0D1143 | 1 | WRAPPER, UPPER CYLINDER 2 |
| 84 | 070185B | 1 | OIL FILTER | 121 | 0E6043 | 2 | SCREW TAPTITE M5-0.8 X 8 ZP |
| 85 | 075281 | 1 | SWITCH, THERMAL 284F | 122 | 0F1177 | 1 | ASSEMBLY, GROUND WIRE |
| 86 | 0F2094 | 2 | SCREW, M3-0.5 X 6 SEMS | 123 | 0F1338B | 1 | ASSY, IGN COIL W/DIODE NO ADV |
| 87 | | | | 124 | 022097 | 4 | WASHER LOCK M6-1/4 |
| 88 | 035461A | 2 | BARBED STR 1/4NPT X 3/8 WITH VIBRA SEAL | 125 | 092079 | 4 | SCREW TAPTITE M6-1.0 X 25 BP |
| 89 | 0C7649 | 4 | CLAMP HOSE .38-.87 | 126 | 0E4271 | 1 | STARTER |
| 90 | 0C9806 | 2 | HOSE, 3/8" I.D. X 6" LONG | 127 | 0D4529 | 2 | SPARKPLUG |
| 91 | 0C3026 | 1 | COOLER, OIL | 128 | 022129 | 2 | WASHER LOCK M8-5/16 |
| 92 | 0C9764 | 4 | PLASTITE,1/4-15 X 3/4 | 129 | 061906 | 2 | SCREW HHC M8-1.25 X 85 G8.8 |
| 93 | 0C3043 | 2 | GASKET, MANIFOLD / PORT | 130 | 082774 | 1 | KEY, WOODRFF 4 X 19D |
| 94 | 0C7694 | 1 | MANIFOLD CYLINDER 2 | 131 | 0E5343 | 1 | NUT HEX LOCK M10-1.50 |
| 95 | 0C7693 | 1 | MANIFOLD CYLINDER 1 | 132 | 0C8468 | 1 | SPRING, ANTI-LASH |
| 96 | 0C3041A | 2 | SLEEVE, RUBBER | 133 | 0C3048 | 1 | ROD, GOVERNOR CONTROL |
| 97 | 070008 | 4 | WASHER FLAT M8 SS | 134 | 0D3754 | 1 | ASSEMBLY, GOVERNOR LEVER |
| 98 | 070006 | 4 | WASHER LOCK M8 SSSL | 135 | 0D3742 | 1 | SPRING, GOVERNOR |
| 99 | 040976 | 4 | SCREW SHC M8-1.25 X 20 G12.9 | 136 | 0C8482 | 1 | ASSEMBLY, GOVERNOR ADJUSTER |
| 100 | 0C3016A | 1 | PLATE, BACKING WITH OIL COOLER | 137 | 0E0486 | 1 | SCREW SHC M10-1.5 X 75 G10.9 |
| 101 | 0E4997 | 1 | GROUND WIRE CONNECTOR | 138 | 0D3743 | 1 | SPRING, GOVERNOR IDLE |
| 102 | 0C3725B | 1 | FLYWHEEL ASSEMBLY | 139 | 0D3705 | 1 | ASSEMBLY, GOVERNOR ADJUSTER BRACKET |
| 103 | 0C3031 | 1 | FAN, NYLON | 140 | 0C2993 | 1 | SEAL, GOVERNOR SHAFT |
| 104 | 0C3032 | 1 | PLATE, FAN | 142 | 045771 | 1 | NUT HEX M8-1.25 G8 |
| 105 | 0A5992 | 2 | WASHER SHAKEPROOF INT M8 SS | 143 | 0D6147 | 7 | SCREW HHFC M6-1.0 X 10mm |
| 106 | 051754 | 2 | SCREW HHC M8-1.25 X 12 G8.8 | 144 | 0E8152 | 1 | O-RING 0.49" I.D. X 0.07" THICK |
| 107 | 0C3033 | 1 | WASHER, 25mm I.D. | 145 | 0F1338A | 1 | ASSY, IGN COIL W/DIODE NO ADV |
| 108 | 0C3034 | 1 | NUT,HEX M24 | | | | |
| 109 | 0C8549A | 1 | SNORKEL, AIR INTAKE | | | | |



Section 8 – Exploded Views and Parts Lists

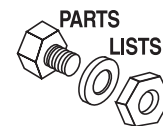
Air-cooled 8.5 kW Generator

Control Panel Assembly – Drawing No. 0E7974-F



Section 8 – Exploded Views and Parts Lists

Air-cooled 8.5 kW Generator Control Panel Assembly – Drawing No. 0E7974-F

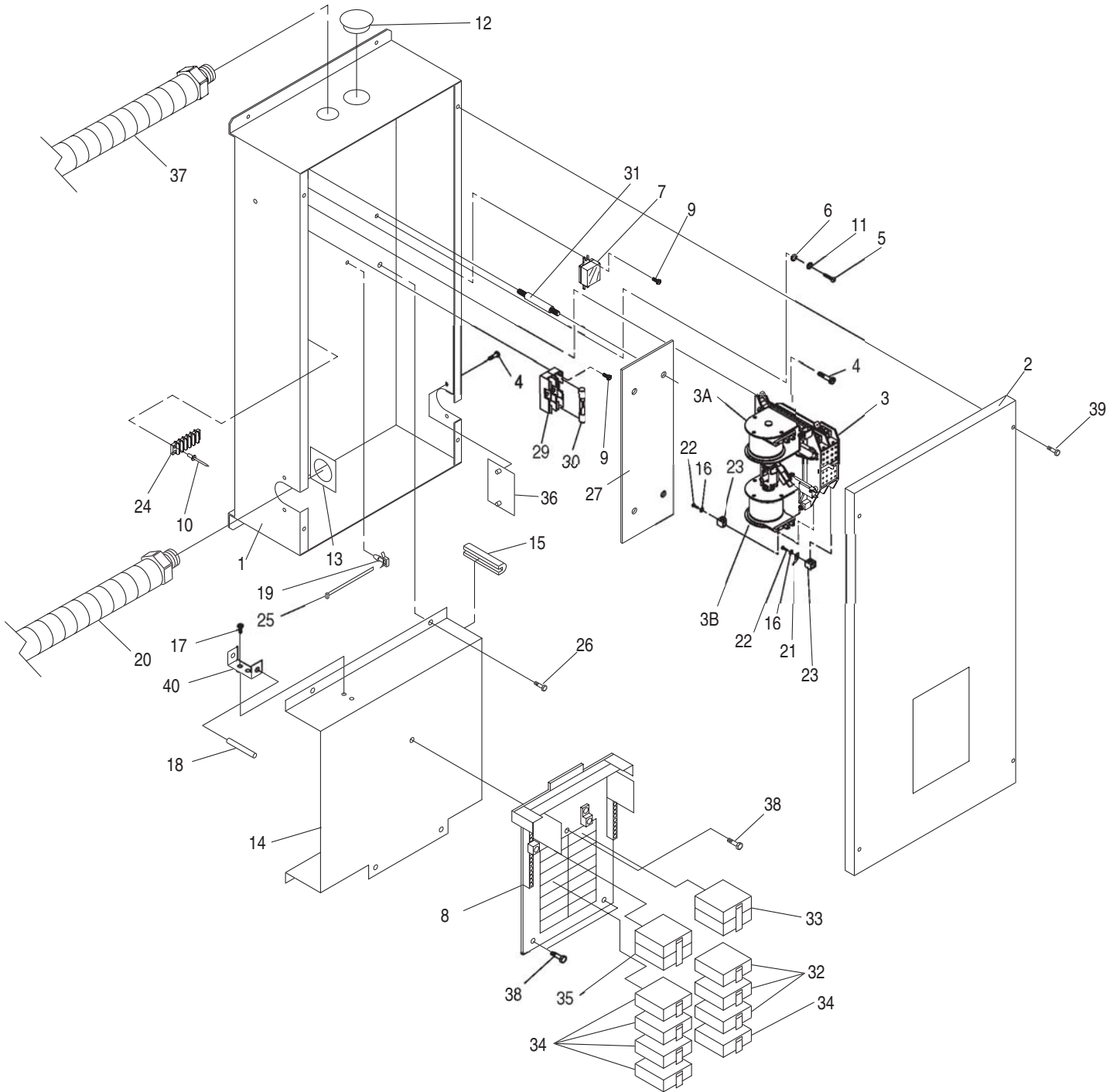


| ITEM | PART NO. | QTY. | DESCRIPTION | ITEM | PART NO. | QTY. | DESCRIPTION |
|------|----------|------|--|------|------------|------|---|
| 1 | 0E7886A | 1 | CIRCUIT BREAKER 30A X 2P 240V (7KW) | 22 | 0D5240 | 1 | SWITCH, SPST (ON)-ON N/O |
| | 0E7886C | 1 | CIRCUIT BREAKER 40A X 2P 240V (8.5KW) | 23 | 0D9784 | 6 | NUT HEX LOCK M3-0.5 NYLON INSERT |
| | 0E7886D | 1 | CIRCUIT BREAKER 45A X 2P 240V (11KW) | | 0D9784 | 4 | NUT HEX LOCK M3-0.5 NYLON INSERT (7KW) |
| | 0E7886E | 1 | CIRCUIT BREAKER 50A X 2P 240V (12KW) | 24 | 0D8502 | 1 | NEUTRAL CONNECTOR |
| | 0E7886F | 1 | CIRCUIT BREAKER 60A X 2P 240V (13KW) | 26 | 0D8441 | 1 | HARNESS, CONTROL PANEL (NOT SHOWN) |
| | 0E7886G | 1 | CIRCUIT BREAKER 70A X 2P 240V (15KW) | | 0E0120 | 1 | HARNESS, CONTROL PANEL WIRE (NOT SHOWN) (7KW) |
| 2 | 0A1801 | 1 | ASSEMBLY, BATTERY CHARGER ENGINE | 27 | 074908 | 4 | SCREW TAPTITE, M5-0.8 x 10 BP |
| 3 | 083049 | 1 | ASSEMBLY, POTTED REGULATOR | 29 | 082025 | 6 | NUT HEX LOCK M5-0.8 NYLON INSERT |
| 4 | 0C2174 | 1 | RELAY, 12V 25A SPST | 30 | 0C3910 | 1 | TRANSFORMER |
| 5 | 075210A | 1 | BLOCK 1 POSITION | 31 | 022507 | 2 | SCREW HHC 1/4"-20 x 1/2" |
| 6 | 0D3062 | 4 | HEX STAND-OFF #6-32 x 3/8" | 32 | 099727 | 1 | FUSE 5A X AGC5 |
| 7 | 0D8615 | 1 | ASSEMBLY, HOME STANDBY CONTROLLER | 33 | 046689 | 1 | BLOCK TERMINAL STRIP 20A 4 X 6 X 1100V |
| | 0D8615A | 1 | ASSEMBLY, HOME STANDBY CONTROLLER (7KW) | 34 | 063617 | 1 | RELAY PANEL 12VDC DPDT 10A 240VAC |
| 8 | 032300 | 2 | HOLDER, FUSE | 35 | 075475 | 4 | SCREW PPHM M4-0.7 x 10mm |
| 9 | 022676 | 1 | FUSE, 15AMP X AGC15 | 36 | 043180 | 2 | WASHER FLAT M4 |
| 10 | 0E4494 | 1 | SWITCH, ROCKER DPDT ON-OFF-ON | 37 | 0D8439 | 1 | COVER, CONTROL PANEL COMPONENT |
| 11 | 0E7890 | 1 | CIRCUIT BREAKER MOUNTING BRACKET | | 0E0119 | 1 | COVER, CONTROL PANEL COMPONENT (7KW) |
| 12 | 023484E | 1 | SNAP BUSHING | 38 | 092036 | 8 | SCREW PPHMS/LW #6-32 x 1/4" |
| 13 | 075476 | 4 | SCREW PPHM M4-0.7 x 16mm | 39 | 045770 | 2 | SCREW HHC M5-0.8 x10mm |
| 15 | 0E6480 | 6 | NUT HEX LOCK M4-0.7 NYLON INSERT | 40 | 0E7866 | 1 | COVER, CONTROL PANEL |
| 17 | 0C1085 | 4 | SCREW PPHM M3-0.5 X 8mm | | 0E7867 | 1 | COVER, CONTROL PANEL (7KW) |
| 18 | 0D8443 | 1 | DECAL, CONTROL PANEL (NOT SHOWN) | 41 | 0D3700 | 8 | NUT FLANGE M6-1.0 NYLON |
| 19 | 054502 | 1 | CIRCUIT BREAKER 3 X 1 ETA 46-500-P | 42 | 0912970069 | 1 | ASSEMBLY, ROOF/DOOR GROUND WIRE |
| | 053623 | 1 | CIRCUIT BREAKER 2.5 X 1 ETA 46-500-P (7KW) | 43 | 0E2874 | 1 | SCREW HHTR 1/4"-20 X 3/4" |
| 20 | 0E7870 | 1 | CONTROL, PANEL BOTTOM | 44 | 0A1658 | 2 | WASHER LOCK SPECIAL 1/4" |
| | 0E7871 | 1 | CONTROL, PANEL BOTTOM (7KW) | 45 | 022473 | 3 | WASHER FLAT 1/4"-M6 |
| 21 | 075235 | 4 | SCREW HHC M5-0.8 x 30mm | 46 | 038750 | 1 | SCREW HHC M6-1.0 x 30mm |
| | | | | 47 | 022097 | 3 | WASHER LOCK M6-1/4" |
| | | | | 48 | 049813 | 1 | NUT HEX M6-1.0 |
| | | | | 49 | 031879 | 6 | WASHER FLAT #4 |
| | | | | | 031879 | 4 | WASHER FLAT #4 (7KW) |
| | | | | 50 | 023897 | 2 | WASHER FLAT #10 |



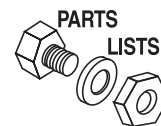
Section 8 – Exploded Views and Parts Lists

Air-cooled 8.5 kW Generator
GTS Load Center – Drawing No. 0E7973-B



Section 8 – Exploded Views and Parts Lists

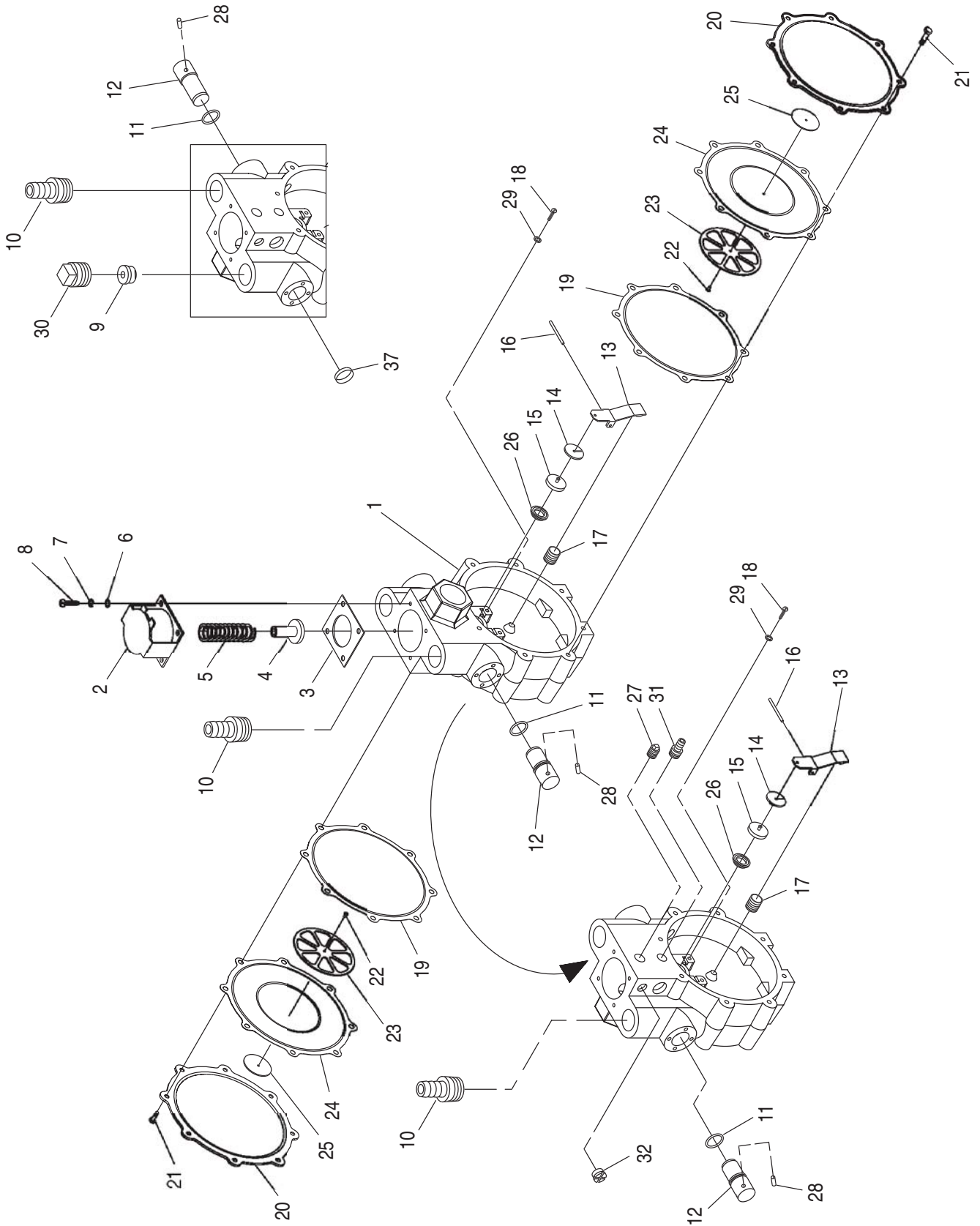
Air-cooled 8.5 kW Generator GTS Load Center – Drawing No. 0E7973-B



| ITEM | PART NO. | QTY. | DESCRIPTION |
|------|----------|-------|--|
| 1 | 0D3086 | 1 | BOX GTS LOAD CENTER |
| 2 | 0D3092 | 1 | COVER, 12 POSITION GTS LOAD CENTER |
| 3 | 0C2237 | 1 | TRANSFER SWITCH HOME STANDBY 100A 2P 250V |
| 3A | 077220 | 1 | COIL UTILITY |
| 3B | 077220A | 1 | COIL STANDBY |
| 3C | 082574 | 1 | INSULATOR-SIDEWALL (NOT SHOWN) |
| 3D | 084464 | 1 | LIMIT SWITCH OPERATION (NOT SHOWN) |
| 4 | 074908 | 6 | SCREW HHTT M5-0.8 X 10 |
| 5 | 024912 | 1 | SCREW HHTT 1/4-20 X 5/8 |
| 6 | 0A1658 | 1 | LOCK WASHER, SPECIAL-1/4" |
| 7 | 063617 | 1 | RELAY PANEL 12VDC DPDT 10A@240VAC |
| 8 | 0E7889 | 1 | 12 CIRCUIT LOAD CENTER 125A/240V |
| 9 | 0A1495 | 4 | SCREW HHTT M4-0.7 X 10 |
| 10 | 0A1661 | 2 | RIVET POP .156" X .675" |
| 11 | 022473 | 1 | WASHER FLAT 1/4-M6 ZINC |
| 12 | 055450 | 1 | PLUG PLASTIC 1.375 |
| 13 | 0D4684 | 1 | HARNESS ADAPTER PLATE |
| 14 | 0E7900 | 1 | SUBPLATE, LOAD CENTER |
| 15 | 056326 | 10.5" | TRIM VINYL BLACK 1/8"GP |
| 16 | 022152 | 6 | WASHER LOCK #10 |
| 17 | 064526 | 2 | SCREW HWHS #6-25 X 3/8" |
| 18 | 0E6155 | 1 | ARM EXTENDER PIN |
| 19 | 063378 | 4 | HOLDER CABLE TIE |
| 20 | 0D3094 | 1 | HARNESS,GTS TO MAIN PANEL |
| 21 | 074138 | 2 | LUG QUICK DISCONNECT NI-S 10X45 DEG BRASS / TIN |
| 22 | 036933 | 6 | SCREW PPHM #10-32 X 3/8" |
| 23 | 077033 | 6 | LUG SLDLSS 1/0-#14X9/16 AL/CU |
| 24 | 048850 | 1 | BLOCK TERMINAL 20A 5 X 6 X 1100V |
| 25 | 028739 | 4 | TIE WRAP 3.9" X .10" |
| 26 | 0A2110 | 4 | SCREW SWAGE 1/4-20 X 1/2" ZINC |
| 27 | 0D3191 | 1 | COVER, RELAY & TERMINAL BLOCK |
| 28 | 0D3088 | 1 | WIRE HARNESS,GTS LOAD CENTER (NOT SHOWN FOR CLARITY) |
| 29 | 073591 | 2 | FUSE HOLDER |
| 30 | 073590A | 2 | FUSE 5A X BUSS |
| 31 | 040213B | 4 | PCB SUPPORT SNAP-IN 1-3/8" |
| 32 | 0E7888C | 3 | CIRCUIT BREAKER 20A 1P |
| 33 | 0E7888 | 1 | CIRCUIT BREAKER 20A 2P |
| 34 | 0E7888B | 5 | CIRCUIT BREAKER 15A 1P |
| 35 | 0E7888A | 1 | CIRCUIT BREAKER 30A 2P |
| 36 | 0D3320 | 1 | COVER - HARNESS ENTRY |
| 37 | 0D3093 | 1 | HARNESS, GTS TO EXT CONN BOX |
| | 0D8597 | 1 | HARNESS, GTS TO EXT CONN BOX (8.5KW) |
| 38 | 075475 | 2 | SCREW PPHM M4-0.7 X 10 |
| 39 | 0A7215 | 4 | SCREW SW 1/4"-20 X 5/8" WITH WASHER |
| 40 | 0E6193 | 1 | BRACKET, ARM EXTENDER |

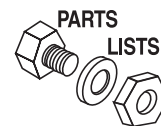
Section 8 – Exploded Views and Parts Lists

**Air-cooled 8.5 kW Generator
Regulator – Drawing No. 0D8720-D**



Section 8 – Exploded Views and Parts Lists

Air-cooled 8.5 kW Generator Regulator – Drawing No. 0D8720-D



| ITEM | PART NO. | QTY. | DESCRIPTION |
|------|----------|------|--|
| 1 | 0D5694 | 1 | CASTING, TWIN REGULATOR HOUSING |
| 2 | 0F3154 | 1 | SOLENOID COIL, 12VDC |
| 3 | 0C4647 | 1 | GASKET , SOLENOID |
| 4 | 0D4166 | 1 | PLUNGER, LP REGULATOR ASSEMBLY |
| 5 | 0C6070 | 1 | SPRING-SOLENOID, PLUNGER |
| 6 | 043180 | 4 | WASHER, FLAT M4 |
| 7 | 022264 | 4 | WASHER, LOCK M4 |
| 8 | 075475 | 4 | SCREW PPHM M4-0.7 X 10 |
| 9 | 0C5760E | 1 | JET, GN 410 ENGINE LP (7KW) |
| 10 | 0C6606 | 2* | BARBED STRAIGHT 1/2NPT x 1/2 |
| 11 | 097934 | 2* | O-RING, CHECK VALVE |
| 12 | 0C4645 | 2* | ADJUSTER SCREW, TWIN REGULATOR |
| 13 | 0C5761 | 2 | LEVER, REGULATOR |
| 14 | 0C5968 | 2 | SUPPORT, INLET SEAL |
| 15 | 0C6066 | 2 | SEAL, INLET |
| 16 | 0C5759 | 2 | PIN, PIVOT ARM |
| 17 | 0C5764 | 2 | SPRING, REGULATOR |
| | 0C5764A | 2 | SPRING, REGULATOR (7KW) |
| 18 | 070728 | 4 | SCREW, PFHMS M3-0.5 x 5 |
| 19 | 0C6069 | 2 | GASKET, DIAPHRAGM |
| 20 | 0C5762 | 2 | COVER, TWIN REGULATOR |
| 21 | 045764 | 16 | SCREW, TAPTITE M4X8 BP |
| 22 | 0C6731 | 2 | RIVET, POP .118 X .125 |
| 23 | 0C6067 | 2 | SUPPORT, DIAPHRAGM |
| 24 | 0C4706 | 2 | DIAPHRAGM, TWIN REGULATOR |
| 25 | 0C6068 | 2 | CAP, DIAPHRAGM SUPPORT |
| 26 | 0C4643A | 2 | INLET, TWIN REGULATOR 11.11 DIA. |
| 27 | 026073 | 1 | PLUG, STANDARD PIPE 1/8" STEEL SQUARE HEAD |
| | 026073 | 2 | PLUG, STANDARD PIPE 1/8" STEEL SQUARE HEAD (7KW) |
| 28 | 0A4032 | 2* | PIN, LIMITED ADJUSTMENT |
| 29 | 0D3308 | 4 | WASHER, FLAT M3 X 10mm O.D. |
| 30 | 024310 | 1 | PLUG, STANDARD PIPE 1/2" STEEL SQUARE HEAD (7KW) |
| 31 | 028414A | 1 | BARBED STRAIGHT 1/8"NPT X 1/4" |
| 32 | 0D5698A | 1 | JET IDLE PRIMER PHILLIPS HD (V-TWIN ONLY) |
| 37 | 0D3973 | 1 | PLUG, EXPANSION 16mm |

* A QUANTITY OF 1 IS TO BE USED ON 7KW HOME STANDBY



Section 10 – Warranty

Air-cooled 8.5 kW Generator

NOTE: This Emission Control Warranty Statement pertains to this product only IF the generator size is 15 kW or below.

CALIFORNIA EMISSION CONTROL WARRANTY STATEMENT

YOUR WARRANTY RIGHTS AND OBLIGATIONS

The California Air Resources Board (CARB) and Generac Power Systems, Inc. (Generac) are pleased to explain the Emission Control System Warranty on your new engine.* In California, new utility, and lawn and garden equipment engines must be designed, built and equipped to meet the state's stringent anti-smog standards. Generac will warrant the emission control system on your engine for the periods of time listed below provided there has been no abuse, neglect, unapproved modification or improper maintenance of your engine.

Your emission control system may include parts such as the carburetor, ignition system and exhaust system. Generac will repair your engine at no cost to you for diagnosis, replacement parts and labor, should a warrantable condition occur.

MANUFACTURER'S EMISSION CONTROL SYSTEM WARRANTY COVERAGE:

Emissions control systems on 1995 and later model year engines are warranted for two years as hereinafter noted. If, during such warranty period, any emission-related component or system on your engine is found to be defective in materials or workmanship, repairs or replacement will be performed by a Generac Authorized Warranty Service Facility.

PURCHASER'S/OWNER'S WARRANTY RESPONSIBILITIES:

As the engine purchaser/owner, you are responsible for the completion of all required maintenance as listed in your factory supplied *Owner's Manual*. For warranty purposes, Generac recommends that you retain all receipts covering maintenance on your engine. However, Generac cannot deny warranty solely due to the lack of receipts or for your failure to ensure the completion of all scheduled maintenance.

As the engine purchaser/owner, you should, however, be aware that Generac may deny any and/or all warranty coverage or responsibility if your engine, or a part/component thereof, has failed due to abuse, neglect, improper maintenance or unapproved modifications, or the use of counterfeit and/or "grey market" parts not made, supplied or approved by Generac.

You are responsible for contacting a Generac Authorized Warranty Service Facility as soon as a problem occurs. The warranty repairs should be completed in a reasonable amount of time, not to exceed 30 days.

Warranty service can be arranged by contacting either your selling dealer or a Generac Authorized Warranty Service Facility. To locate the Generac Authorized Warranty Service Facility nearest you, call our toll-free number:

1-800-333-1322

IMPORTANT NOTE: This warranty statement explains your rights and obligations under the Emission Control System Warranty (ECS Warranty), which is provided to you by Generac pursuant to California law. See also the "Generac Limited Warranties for Generac Power Systems, Inc.," which is enclosed herewith on a separate sheet, also provided to you by Generac. The ECS Warranty applies **only** to the emission control system of your new engine. If there is any conflict in terms between the ECS Warranty and the Generac Warranty, the ECS Warranty shall apply except in circumstances where the Generac Warranty may provide a longer warranty period. Both the ECS Warranty and the Generac Warranty describe important rights and obligations with respect to your new engine.

Warranty service can be performed only by a Generac Authorized Warranty Service Facility. When requesting warranty service, evidence must be presented showing the date of the sale to the original purchaser/owner.

If you have any questions regarding your warranty rights and responsibilities, you should contact Generac at the following address:

**ATTENTION WARRANTY DEPARTMENT
GENERAC POWER SYSTEMS, INC.
P.O. BOX 297
WHITEWATER, WI 53190**

Part 1



EMISSION CONTROL SYSTEM WARRANTY

Emission Control System Warranty (ECS Warranty) for 1995 and later model year engines:

- (a) **Applicability:** This warranty shall apply to 1995 and later model year engines. The ECS Warranty Period shall begin on the date the new engine or equipment is purchased by/delivered to its original, end-use purchaser/owner and shall continue for 24 consecutive months thereafter.
- (b) **General Emissions Warranty Coverage:** Generac warrants to the original, end-use purchaser/owner of the new engine or equipment and to each subsequent purchaser/owner that each of its engines is ...
- (1) Designed, built and equipped so as to conform with all applicable regulations adopted by the CARB pursuant to its authority, and
 - (2) Free from defects in materials and workmanship which, at any time during the ECS Warranty Period, may cause a warranted emissions-related part to fail to be identical in all material respects to the part as described in the engine manufacturer's application for certification.
- (c) The ECS Warranty only pertains to emissions-related parts on your engine, as follows:
- (1) Any warranted, emissions-related parts that are not scheduled for replacement as required maintenance in the *Owner's Manual* shall be warranted for the ECS Warranty Period. If any such part fails during the ECS Warranty Period, it shall be repaired or replaced by Generac according to Subsection (4) below. Any such part repaired or replaced under the ECS Warranty shall be warranted for the remainder of the ECS Warranty Period.
 - (2) Any warranted, emissions-related part that is scheduled only for regular inspection as specified in the *Owner's Manual* shall be warranted for the ECS Warranty Period. A statement in such written instructions to the effect of "repair or replace as necessary" shall not reduce the ECS Warranty Period. Any such part repaired or replaced under the ECS Warranty shall be warranted for the remainder of the ECS Warranty Period.
 - (3) Any warranted, emissions-related part that is scheduled for replacement as required maintenance in the *Owner's Manual* shall be warranted for the period of time prior to the first scheduled replacement point for that part. If the part fails prior to the first scheduled replacement, the part shall be repaired or replaced by Generac according to Subsection (4) below. Any such emissions-related part repaired or replaced under the ECS Warranty shall be warranted for the remainder of the ECS Warranty Period prior to the first scheduled replacement point for such emissions-related part.
 - (4) Repair or replacement of any warranted, emissions-related part under this ECS Warranty shall be performed at no charge to the owner at a Generac Authorized Warranty Service Facility.
 - (5) When the engine is inspected by a Generac Authorized Warranty Service Facility, the owner shall not be held responsible for diagnostic costs if the repair is deemed warrantable.
 - (6) Generac shall be liable for damages to other original engine components or approved modifications proximately caused by a failure under warranty of any emission-related part covered by the ECS Warranty.
 - (7) Throughout the ECS Warranty Period, Generac shall maintain a supply of warranted emission-related parts sufficient to meet the expected demand for such emission-related parts.
 - (8) Any Generac authorized and approved emission-related replacement part may be used in the performance of any ECS Warranty maintenance or repairs and will be provided without charge to the owner. Such use shall not reduce Generac ECS Warranty obligations.
 - (9) Unapproved, add-on, modified, counterfeit and/or "grey market" parts may not be used to modify or repair a Generac engine. Such use voids this ECS Warranty and shall be sufficient grounds for disallowing an ECS Warranty claim. Generac shall not be held liable hereunder for failures of any warranted parts of a Generac engine caused by the use of such an unapproved, add-on, modified, counterfeit and/or "grey market" part.

EMISSION RELATED PARTS INCLUDE THE FOLLOWING:

- 1) Fuel Metering System:
 - 1.2) LPG/Natural Gas carburetion assembly and its internal components.
 - a) Fuel controller (if so equipped)
 - b) Mixer and its gaskets (if so equipped)
 - c) Carburetor and its gaskets (if so equipped)
 - d) Primary gas regulator (if so equipped)
 - e) LP liquid vaporizer (if so equipped)
- 2) Air Induction System including:
 - a) Intake pipe/manifold
 - b) Air cleaner
- 3) Ignition System including:
 - a) Spark plug
 - b) Ignition module
- 4) Catalytic Muffler Assembly (if so equipped) including:
 - a) Muffler gasket
 - b) Exhaust manifold
- 5) Crankcase Breather Assembly including:
 - a) Breather connection tube

*Generac engine types covered by this warranty statement include the following:

- 1) Prepackaged Standby Generator
- 2) Auxiliary Power Unit (APU) Generator
- 3) Standby Generator

Part 2



Section 10 – Warranty

Air-cooled 8.5 kW Generator

GENERAC POWER SYSTEMS "TWO YEAR" LIMITED WARRANTY FOR CENTURION "PREPACKAGED EMERGENCY AUTOMATIC STANDBY GENERATORS"

For a period of two years from the date of original sale, Generac Power Systems, Inc. (Generac) will, at its option, repair or replace any part which, upon examination, inspection and testing by Generac or a Generac Authorized Warranty Service Dealer, is found to be defective under normal use and service, in accordance with the warranty schedule set forth below. Any equipment that the purchaser/owner claims to be defective must be examined by the nearest Generac Authorized Warranty Service Dealer. All transportation costs under the warranty, including return to the factory, are to be borne and prepaid by the purchaser/owner. This warranty applies only to Generac Centurion prepackaged emergency automatic standby generators sold and rated for use in "Standby" applications.

WARRANTY SCHEDULE

YEARS ONE and TWO - 100% (one hundred percent) transferable coverage on Labor and Part(s) listed (proof of purchase and maintenance is required):

- Engine - All Components
- Alternator - All Components
- Transfer System - All Components

Steel enclosures are warranted against rusting for the first year of ownership only. Damage caused after receipt of generator is the responsibility of the owner and is not covered by this warranty. Nicks, scrapes, dents or scratches to the painted enclosure should be repaired promptly by the owner.

All warranty expense allowances are subject to the conditions defined in Generac's Warranty Policies, Procedures and Flat Rate Manual.

THIS WARRANTY SHALL NOT APPLY TO THE FOLLOWING:

- Generac Centurion generators that utilize non-Generac replacement parts.
- Generac Centurion generators utilizing non-Generac transfer switches.
- Repairs performed by individuals other than Centurion/Generac authorized dealers.
- Any Generac Centurion generators used as rental or trailer mounted applications.
- Air-cooled units used for prime power in place of existing utility power where utility power is present or in place of utility power where utility power service does not normally exist.
- Steel enclosures that are rusting due to the improper installation, location in a harsh or saltwater environment or scratched where integrity of paint applied is compromised.
- Costs of normal maintenance, adjustments, installation and start-up.
- Failures caused by any contaminated fuels, oils, coolants or lack of proper fluid amounts.
- Failures due, but not limited, to normal wear and tear, accident, misuse, abuse, negligence or improper installation. As with all mechanical devices, the Generac engines need periodic part(s) service and replacement to perform well. This warranty will not cover repair when normal use has exhausted the life of a part(s) or engine.
- Failures caused by any external cause or act of God, such as collision, theft, vandalism, riot or wars, nuclear holocaust, fire, freezing, lightning, earthquake, windstorm, hail, volcanic eruption, water or flood, tornado or hurricane.
- Damage related to rodent and/or insect infestation.
- Products that are modified or altered in a manner not authorized by Generac in writing.
- Any incidental, consequential or indirect damages caused by defects in materials or workmanship, or any delay in repair or replacement of the defective part(s).
- Failure due to misapplication.
- Telephone, cellular phone, facsimile, internet access or other communication expenses.
- Living or travel expenses of person(s) performing service, except as specifically included within the terms of a specific unit warranty period.
- Expenses related to "customer instruction" or troubleshooting where no manufacturing defect is found.
- Rental equipment used while warranty repairs are being performed.
- Costs incurred for equipment used for removal and/or reinstallation of generator, (i.e., cranes, hoists, lifts, etc.)
- Overnight freight costs for replacement part(s).
- Overtime labor.
- Starting batteries, fuses, light bulbs and engine fluids.

THIS WARRANTY IS IN PLACE OF ALL OTHER WARRANTIES, EXPRESSED OR IMPLIED. SPECIFICALLY, GENERAC MAKES NO OTHER WARRANTIES AS TO THE MERCHANTABILITY OR FITNESS FOR A PARTICULAR PURPOSE. Some states do not allow limitations on how long an implied warranty lasts, so the above limitation may not apply to you.

GENERAC'S ONLY LIABILITY SHALL BE THE REPAIR OR REPLACEMENT OF PART(S) AS STATED ABOVE. IN NO EVENT SHALL GENERAC BE LIABLE FOR ANY INCIDENTAL OR CONSEQUENTIAL DAMAGES, EVEN IF SUCH DAMAGES ARE A DIRECT RESULT OF GENERAC'S NEGLIGENCE. Some states do not allow the exclusion or limitation of incidental or consequential damages, so the above limitation may not apply to you.

This warranty gives you specific legal rights. You also have other rights from state to state.

GENERAC® POWER SYSTEMS, INC.
P.O. BOX 297 · WHITEWATER, WI 53190

Revision 10/01/04

Free Manuals Download Website

<http://myh66.com>

<http://usermanuals.us>

<http://www.somanuals.com>

<http://www.4manuals.cc>

<http://www.manual-lib.com>

<http://www.404manual.com>

<http://www.luxmanual.com>

<http://aubethermostatmanual.com>

Golf course search by state

<http://golfingnear.com>

Email search by domain

<http://emailbydomain.com>

Auto manuals search

<http://auto.somanuals.com>

TV manuals search

<http://tv.somanuals.com>