

**GENERAC®**

# XP Professional Series

Portable Generator

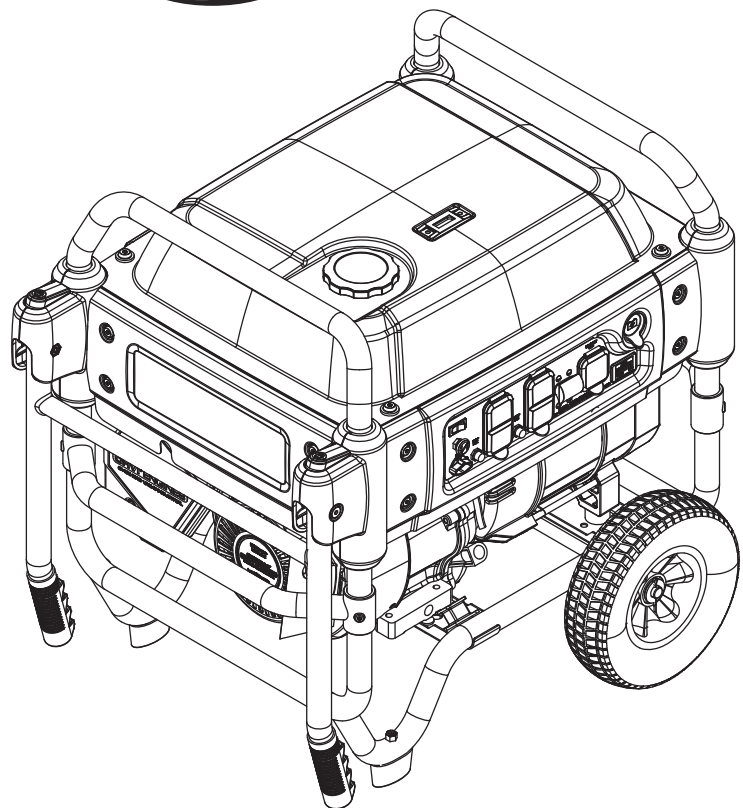
## Owner's Manual

- SAFETY
- ASSEMBLY
- OPERATION
- TROUBLESHOOTING
- WARRANTY

AUTHORIZED DEALER SUPPORT:

[www.generac.com](http://www.generac.com)  
or  
1-888-GENERAC

**2 YEAR  
LIMITED  
WARRANTY**



**COMMERCIAL • INDUSTRIAL • RESIDENTIAL**

**MODELS: 005606-0 XP8000E  
005605-0 XP6500E**

**8,000 Watt Portable Generator  
6,500 Watt Portable Generator**

**TABLE  
OF  
CONTENTS**

**Table of Contents**  
**Portable Generator System**

---

<b>Introduction.....</b>	<b>1</b>	<b>Section 3 – Maintenance .....</b>	<b>10</b>
<b>Read this Manual Thoroughly .....</b>	<b>1</b>	3.1 Maintenance Schedule .....	10
<b>Safety Rules .....</b>	<b>2</b>	3.2 Product Specifications.....	10
Standards Index .....	3	3.2.1 Generator Specifications .....	10
<b>Section 1 – General Information.....</b>	<b>4</b>	3.2.2 Engine Specifications.....	10
1.1 Unpacking.....	4	3.3 General Recommendations.....	10
1.1.1 Accessory Box .....	4	3.3.1 Generator Maintenance .....	10
1.2 Assembly.....	4	3.3.2 To Clean the Generator.....	11
1.2.1 Assembling the Wheel Kit .....	4	3.3.3 Engine Maintenance.....	11
1.2.2 Battery Connection .....	4	3.3.4 Checking Oil Level .....	11
<b>Section 2 – Operation .....</b>	<b>5</b>	3.3.5 Changing the Oil and Oil Filter .....	11
2.1 Know the Generator .....	5	3.3.6 Replacing the Spark Plug .....	11
2.2 Hourmeter.....	6	3.4 Service Air Cleaner.....	11
2.3 Cord Sets and Connection Plugs .....	6	3.5 Clean Spark Arrestor Screen.....	12
2.3.1 120 VAC, 20 Amp, GFCI Duplex Receptacle .....	6	3.6 Adjusting Valve Clearance .....	12
2.3.2 120/240 VAC, 30 Amp, Receptacle.....	6	3.7 General .....	13
2.4 How to Use the Generator .....	6	3.8 Long Term Storage.....	13
2.4.1 Grounding the Generator .....	6	3.9 Other Storage Tips .....	13
2.4.2 Connecting Electrical Loads .....	7	<b>Section 4 – Battery Service.....</b>	<b>14</b>
2.5 Don't Overload the Generator.....	7	4.1 Battery Service (Replacement) .....	14
2.6 Wattage Reference Guide .....	7	<b>Section 5 – Troubleshooting .....</b>	<b>15</b>
2.7 Before Starting the Generator .....	8	5.1 Troubleshooting Guide.....	15
2.7.1 Adding Engine Oil .....	8	<b>Section 6 – Warranty.....</b>	<b>16</b>
2.7.2 Adding Gasoline.....	8		
2.8 To Start the Engine.....	8		
2.9 Stopping the Engine .....	9		
2.10 Low Oil Pressure Shutdown System.....	9		
2.10.1 Initial Start-up.....	9		
2.10.2 Sensing Low Oil Pressure .....	9		
2.10.3 Restarting.....	9		
2.11 Charging a Battery .....	9		

## INTRODUCTION

Thank you for purchasing this model by Generac Power Systems, Inc. This model is a compact, high performance, air-cooled, engine driven generator designed to supply electrical power to operate electrical loads where no utility power is available or in place of utility due to a power outage.

## READ THIS MANUAL THOROUGHLY

If any portion of this manual is not understood, contact the nearest Authorized Dealer for starting, operating and servicing procedures.

Throughout this publication, and on tags and decals affixed to the generator, DANGER, WARNING, CAUTION and NOTE blocks are used to alert personnel to special instructions about a particular operation that may be hazardous if performed incorrectly or carelessly. Observe them carefully. Their definitions are as follows:



**After this heading, read instructions that, if not strictly complied with, will result in serious personal injury, including death and/or property damage.**



**After this heading, read instructions that, if not strictly complied with, may result in serious personal injury and/or property damage.**




**After this heading, read instructions that, if not strictly complied with, could result in damage to equipment and/or property.**

### NOTE:

**After this heading, read explanatory statements that require special emphasis.**

These safety warnings cannot eliminate the hazards that they indicate. Common sense and strict compliance with the special instructions while performing the service are essential to preventing accidents.

Four commonly used safety symbols accompany the **DANGER**, **WARNING** and **CAUTION** blocks. The type of information each indicates is as follows:

 **This symbol points out important safety information that, if not followed, could endanger personal safety and/or property of others.**

 **This symbol points out potential explosion hazard.**

 **This symbol points out potential fire hazard.**


 **This symbol points out potential electrical shock hazard.**

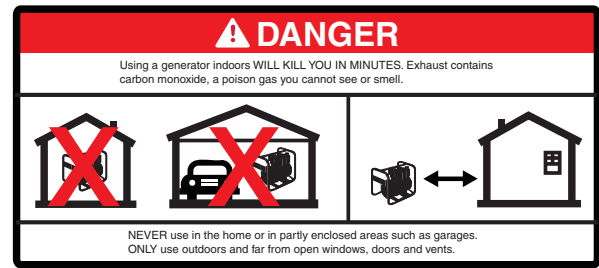
The operator is responsible for proper and safe use of the equipment. We strongly recommend that the operator read this manual and thoroughly understand all instructions before using the equipment.


We also strongly recommend instructing other users to properly start and operate the unit. This prepares them if they need to operate the equipment in an emergency.




 **Using a generator indoors WILL KILL YOU IN MINUTES. Exhaust contains carbon monoxide, a poison gas you cannot see or smell.**

 **NEVER use in the home, or in partly enclosed areas such as garages. ONLY use outdoors and far from open windows, doors, vents, and in an area that will not accumulate deadly exhaust gas.**



 **Always disconnect the spark plug wire and place the wire where they cannot contact the spark plug to prevent accidental starting when setting up, transporting, adjusting or making repairs to the generator.**

- The generator produces dangerously high voltage that can cause extremely hazardous electrical shock. Avoid contact with bare wires, terminals, etc. Never permit any unqualified person to operate or service the generator.
- Never handle any kind of electrical cord or device while standing in water, while barefoot or while hands or feet are wet. Dangerous electrical shock will result.
- The National Electric Code requires the frame and external electrically conductive parts of the generator be properly connected to an approved earth ground. Local electrical codes may also require proper grounding of the generator. Consult with a local electrician for grounding requirements in the area.
- Use a ground fault circuit interrupter in any damp or highly conductive area (such as metal decking or steel work).
- Do not use worn, bare, frayed or otherwise damaged electrical cord sets with the generator.
- Operate generator only on level surfaces and where it will not be exposed to excessive moisture, dirt, dust or corrosive vapors.
- Gasoline is highly **FLAMMABLE** and its vapors are **EXPLOSIVE**. Do not permit smoking, open flames, sparks or heat in the vicinity while handling gasoline. Avoid spilling gasoline on a hot engine. Comply with all laws regulating storage and handling of gasoline.
- Never add fuel while unit is running or hot. Allow engine to cool entirely before adding fuel.
-  **Do not overfill the fuel tank. Always allow room for fuel expansion. If tank is over-filled, fuel can overflow onto a hot engine and cause FIRE or an EXPLOSION.**



**⚠ SAVE THESE INSTRUCTIONS** – The manufacturer suggests that these rules for safe operation be copied and posted near the unit's installation site. Safety should be stressed to all operators and potential operators of this equipment.

- Never store generator with fuel in tank where gasoline vapors might reach an open flame, spark or pilot light (as on a furnace, water heater or clothes dryer). **FIRE** or **EXPLOSION** may result.
- Generator exhaust gases contain **DEADLY** carbon monoxide gas. This dangerous gas, if breathed in sufficient concentrations, can cause unconsciousness or even death. Operate this equipment only in the open air where adequate ventilation is available.

— **⚠ DANGER ⚠** —

**⚠ NEVER operate the generator indoors, in a garage, near an open window, or in an area that could accumulate exhaust gas.**

- Allow at least five (5) feet, or greater, of clearance on all sides of generator or damage could be done to the unit. Never operate the unit inside any room or enclosure.
- Never start or stop the unit with electrical loads connected to receptacles AND with connected devices turned ON. Start the engine and let it stabilize before connecting electrical loads. Disconnect all electrical loads before shutting down the generator.
- Do not insert objects through unit's cooling slots.
- **Never operate generator:** in rain; indoors or in any enclosed compartment; if connected electrical devices overheat; if electrical output is lost; if engine or generator sparks; if flames or smoke are observed while unit is running; if unit vibrates excessively.

**NOTE:**

This generator is equipped with a spark arrestor muffler. The spark arrestor must be maintained in effective working order by the owner/ operator. In the State of California, a spark arrestor is required by law (Section 4442 of the California Public Resources Code). Other states may have similar laws. Federal laws apply on federal lands.

Study these **SAFETY RULES** carefully before installing, operating or servicing this equipment. Become familiar with this manual and with the unit. The generator can operate safely, efficiently and reliably only if it is properly installed, operated and maintained. Many accidents are caused by failing to follow simple and fundamental rules or precautions.

The manufacturer cannot anticipate every possible circumstance that might involve a hazard. The warnings in this manual, and on tags and decals affixed to the unit are, therefore, not all inclusive. If using a procedure, work method or operating technique that the manufacturer does not specifically recommend, ensure that it is safe for others. Also make sure the procedure, work method or operating technique utilized does not render the generator unsafe.

— **⚠ DANGER ⚠** —

**⚠ Despite the safe design of this generator, operating this equipment imprudently, neglecting its maintenance or being careless can cause possible injury or death. Permit only responsible and capable persons to operate or maintain this equipment.**

**⚠ Potentially lethal voltages are generated by these machines. Ensure all steps are taken to render the machine safe before attempting to work on the generator.**

**⚠ Parts of the generator are rotating and/or hot during operation. Exercise care near running generators. Do not touch hot surfaces such as the muffler. Severe burns can occur on contact. Allow generator to cool before touching.**

**⚠ GENERAL HAZARDS ⚠**

- Never operate in an enclosed area or indoors.
- For safety reasons, the manufacturer recommends that the maintenance of this equipment is carried out by an Authorized Dealer.
- The engine exhaust fumes contain carbon monoxide, which can be **DEADLY**. This dangerous gas, if breathed in sufficient concentrations, can cause unconsciousness or even death. This exhaust system must be properly maintained. Do nothing that might render the exhaust system unsafe or in noncompliance with any local codes and/or standards.
- Keep hands, feet, clothing, etc., away from drive belts, fans, and other moving or hot parts. Never remove any fan guard while the unit is operating.
- Adequate, unobstructed flow of cooling and ventilating air is critical to correct generator operation. Do not alter the installation or permit even partial blockage of ventilation provisions, as this can seriously affect safe operation of the generator. The generator **MUST** be operated outdoors.



**WARNING**



**The engine exhaust from this product contains chemicals known to the state of California to cause cancer, birth defects or other reproductive harm.**



**WARNING**



**This product contains or emits chemicals known to the state of California to cause cancer, birth defects or other reproductive harm.**



- When working on this equipment, remain alert at all times. Never work on the equipment when physically or mentally fatigued.
- Inspect the generator regularly, and contact the nearest Authorized Dealer for parts needing repair or replacement.
- Before performing any maintenance on the generator, disconnect its battery cables to prevent accidental start up. Disconnect the cable from the battery post indicated by a NEGATIVE, NEG or (-) first. Reconnect that cable last.
- Never use the generator or any of its parts as a step. Stepping on the unit can stress and break parts, and may result in dangerous operating conditions from leaking exhaust gases, fuel leakage, oil leakage, etc.
- Do NOT operate generator in the rain.

### **ELECTRICAL HAZARDS**

- All generators covered by this manual produce dangerous electrical voltages and can cause fatal electrical shock. Utility power delivers extremely high and dangerous voltages as does the generator when it is in operation. Avoid contact with bare wires, terminals, connections, etc., while the unit is running. Ensure all appropriate covers, guards and barriers are in place before operating the generator. If work must be done around an operating unit, stand on an insulated, dry surface to reduce shock hazard.
- Do not handle any kind of electrical device while standing in water, while barefoot, or while hands or feet are wet.  **DANGEROUS ELECTRICAL SHOCK MAY RESULT.**
- The National Electrical Code (NEC) requires the frame and external electrically conductive parts of the generator to be connected to an approved earth ground. Local electrical codes also may require proper grounding of the generator electrical system.
- In case of accident caused by electric shock, immediately shut down the source of electrical power. If this is not possible, attempt to free the victim from the live conductor.  **AVOID DIRECT CONTACT WITH THE VICTIM.** Use a non-conducting implement, such as a rope or board, to free the victim from the live conductor. If the victim is unconscious, apply first aid and get immediate medical help.
- Never wear jewelry when working on this equipment. Jewelry can conduct electricity resulting in electric shock, or may get caught in moving components causing injury.

### **FIRE HAZARDS**

- For fire safety, the generator must be operated and maintained properly. Operation must always comply with applicable codes, standards, laws and regulations. Adhere strictly to local, state and national electrical and building codes. Comply with regulations the Occupational Safety and Health Administration (OSHA) has established. Also, ensure that the generator is operated in accordance with the manufacturer's instructions and recommendations. Do not alter the construction of the generator or change controls which might create an unsafe operating condition.
- Keep a fire extinguisher near the generator at all times. Extinguishers rated "ABC" by the National Fire Protection Association are appropriate for use on the standby electric system. Keep the extinguisher properly charged and be familiar with its use. If there are any questions pertaining to fire extinguishers, consult the local fire department.
- Gasoline is extremely FLAMMABLE. Never add fuel while unit is running or hot. Allow engine/unit to cool entirely before adding fuel. Do not over fill fuel tank. Allow room for fuel expansion. Wipe up fuel spills immediately. If tank is overfilled, fuel can overflow onto a hot engine and cause FIRE. Never fill fuel tank indoors.

### **EXPLOSION HAZARDS**

- Do not smoke around the generator. Wipe up any fuel or oil spills immediately. Ensure that no combustible materials are left on or near the generator, as FIRE or EXPLOSION may result. Keep the area surrounding the generator clean and free from debris.
- Gasoline is extremely EXPLOSIVE.

### STANDARDS INDEX

In the absence of pertinent standards, codes, regulations and laws, the published information listed below may be used as a guideline for operation of this equipment. Always reference the latest revision available for the standards listed.

1. NFPA No. 70, NFPA HANDBOOK OF NATIONAL ELECTRIC CODE.
2. Article X, NATIONAL BUILDING CODE, available from the American Insurance Association, 85 John Street, New York, N.Y. 10038.
3. AGRICULTURAL WIRING HANDBOOK, available from the Food and Energy Council, 909 University Avenue, Columbia, MO 65201.
4. ASAE EP-3634, INSTALLATION AND MAINTENANCE OF FARM STANDBY ELECTRICAL SYSTEMS, available from the American Society of Agricultural Engineers, 2950 Niles Road, St. Joseph, MI 49085.
5. NFPA No. 30, FLAMMABLE AND COMBUSTIBLE LIQUIDS CODE.

## 1.1 UNPACKING

- Remove all packaging material.
- Remove separate accessory box.
- Remove carton off the generator.

### 1.1.1 ACCESSORY BOX

Check all contents (Figure 1). If any parts are missing or damaged locate an authorized dealer at 1-888-436-3722.

Contents include:

- |                                     |                                     |
|-------------------------------------|-------------------------------------|
| • Wheel Axle                        | • Oil Funnel                        |
| • 2 – Washers                       | • 2 – Wheels                        |
| • 2 – Cotter Pins                   | • Extension Cord                    |
| • Spark Plug                        | • 12 Volt Adaptor Plug Charger      |
| • Air Filter                        | • Spark Plug Wrench                 |
| • Oil Filte                         | • Shop Towel                        |
| • 1 oz. Pouch of Stabil®<br>Bottles | • 2 – 1 Quart SAE 30 Oil<br>Bottles |

**Figure 1 – Accessory Boxes**



## 1.2 ASSEMBLY

**Read entire Owner's Manual before attempting to assemble or operate the generator.** The generator requires some assembly prior to using it. If problems arise when assembling the generator, please call the Generator Helpline at 1-888-436-3722.

### 1.2.1 ASSEMBLING THE WHEEL KIT

The wheel kit is designed to greatly improve the portability of the generator. A pair of pliers is needed for assembling the wheel kit.

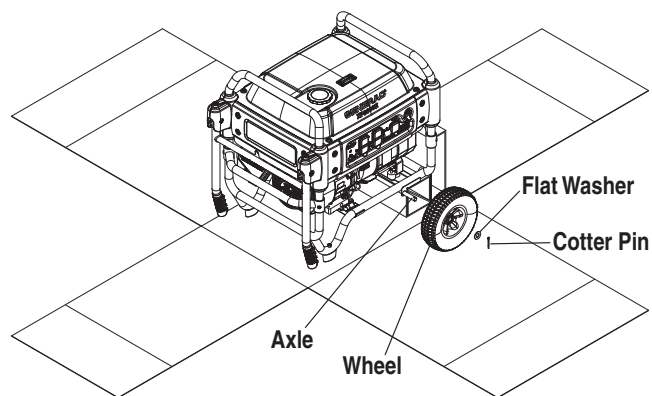
**NOTE:**

**The wheel kit is not intended for over-the-road use.**

- Refer to Figure 2 and install the wheel kit as follows:
- Generator will be resting on an accessory box after box is cut back.

- Open end of accessory box to remove contents.
- Slide the axle through the holes on the axle brackets.
- Slide one wheel with flat washer to the outside.
- Insert retaining pin and using pliers, bend out the ends to prevent the pins from falling out of the axle. Repeat for other side.
- Lift the engine side of the generator to pull out the insert.

**Figure 2 – Wheel Assembly**



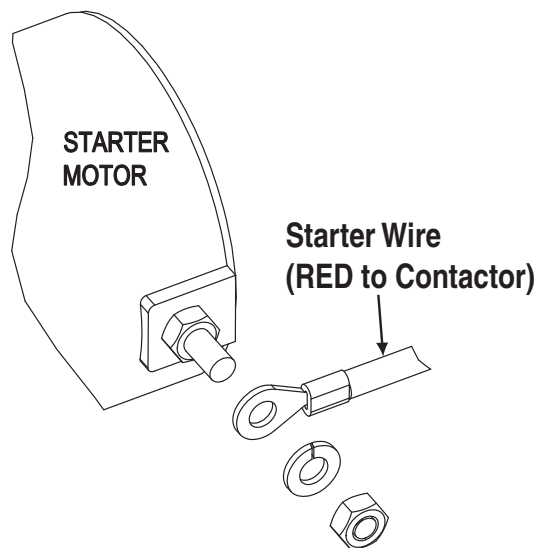
### 1.2.2 BATTERY CONNECTION

**NOTE:**

**The battery shipped with the generator has been fully charged. A battery may loose some of it's charge when not in use for prolonged periods of time.**

This wire was deliberately left detached for shipping. To operate unit, attach this wire to terminal on starter motor as shown. Do not overtighten. See Figure 3.

**Figure 3 - Battery Connections**



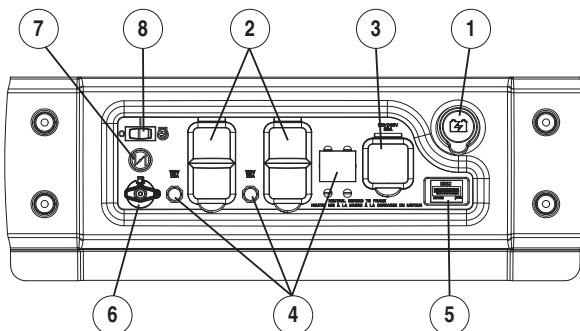
## 2.1 KNOW THE GENERATOR

Read the Owner's Manual and Safety Rules before operating this generator.

Compare the generator to Figures 4 through 6 to become familiarized with the locations of various controls and adjustments. Save this manual for future reference.

1. **Battery Charger Input** – This receptacle allows the capability to recharge the 12 volt DC storage battery provided with the 12 Volt Adaptor Plug Charger which is included in the Accessory Box. Located behind the battery charger input is a 1.50 Amp in-line fuse which is inside the control panel to protect the battery.
2. **120 Volt AC, 20 Amp, GFCI Duplex Receptacle** – Supplies electrical power for the operation of 120 Volt AC, 20 Amp, single-phase, 60 Hz electrical lighting, appliance, tool and motor loads. It also provides protection with an Integral Ground Fault Circuit Interrupter, complete with a press to "Test" and "Reset" button.
3. **120/240 Volt AC, 30 Amp Locking Receptacle** – Supplies electrical power for the operation of 120 and/or 240 Volt AC, 30 Amp, single-phase, 60 Hz, electrical lighting, appliance, tool and motor loads.
4. **Circuit Breakers (AC)** – Each 20 Amp receptacle is provided with a push-to-reset circuit breaker to protect the generator against electrical overload. The 30 Amp receptacle is protected by a 2-pole lever circuit breaker rated at 27.1 Amps for the XP6500E and 30 Amps for the XP8000E.
5. **Hourmeter** – Provides operating hours for Service Intervals.
6. **Fuel Shut Off** – Valve between fuel tank and carburetor. Turn off and run carburetor out of fuel for extended storage.
7. **Choke Knob** – Used when starting a cold engine (Pull/Push).
8. **Start/Run/Stop Switch** – Controls the operation of the generator.
9. **Air Cleaner** – Filters intake air as it is drawn into the engine.
10. **Fuel Tank** – Tank holds 9 U.S. gallons of fuel.
11. **Grounding Lug** – Ground the generator to an approved earth ground here. See "Grounding the Generator" for details.
12. **Muffler** – Includes the spark arrestor and quiets the engine.
13. **Battery** – Powers the electric starter (End panel removed - 4 Torx Screws "T27").

Figure 4 - Control Panel



14. **Handles** – Pivot and retract for storage. Press the spring-loaded button to move handles (14A).
15. **Gas Cap** – Fuel fill location.
16. **Fuel Gauge** – Shows fuel level in tank.
17. **Oil Fill** – Check oil level and add oil here.
18. **Recoil Starter** – Use to start engine manually.
19. **Spark Plug** – Ignites Air/Fuel Mixture (End & Side panel removed - 4 Torx Screws "T27").

Figure 5 - Generator Controls

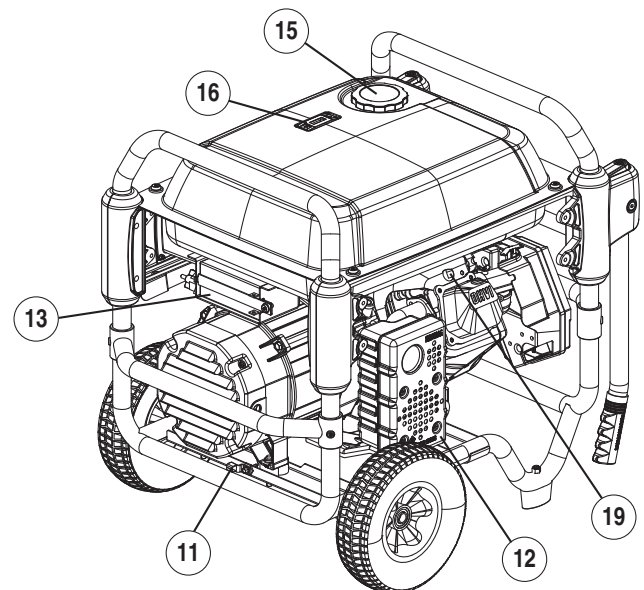
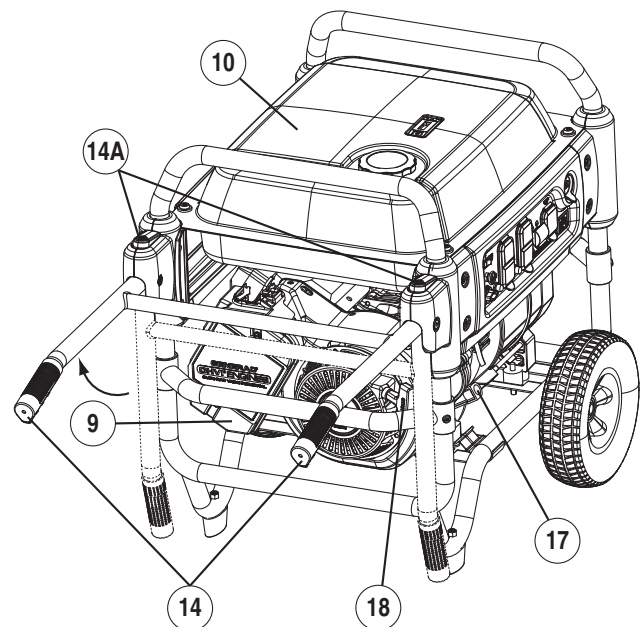
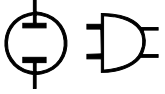


Figure 6 - Generator Controls





## 2.2 HOURMETER

The Hourmeter tracks hours of operation for scheduled maintenance:

There will be a one time break in "CHG OIL" message that flashes with the elapsed time in hours and tenths after the first 30 hours of operation.

This message will actually begin flashing at 29 hours and disable itself at 31 hours providing a two hour window to perform the service.

There will be a subsequent "CHG OIL" message every 100 hours. The message will flash one hour before and one hour after each 100 hour interval, again providing a two hour window to perform service.

Every 200 hours the "SVC" icon on the lower left hand corner of the display will flash. The message will flash one hour before and one hour after each 200 hour interval providing a two hour window to perform service.

When the hour meter is in the Flash Alert mode, the maintenance message will always alternate with elapsed time in hours and tenths. The hours will flash four times, then alternate with the maintenance message four times until the meter resets itself.

- 30 hours - CHG OIL — Break-in Interval (First 30 hrs only)
- 100 hours - CHG OIL — Oil Change Interval (Every 100 hrs)
- 200 hours - SVC — Air Filter Interval (Every 200 hrs)

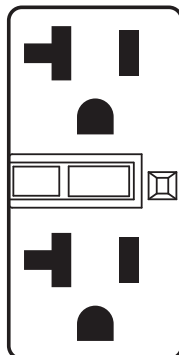
## 2.3 CORD SETS AND CONNECTION PLUGS

### 2.3.1 120 VAC, 20 AMP, GFCI DUPLEX RECEPTACLE

This is a 120 Volt outlet protected against overload by a 20 Amp push-to-reset circuit breaker (Figure 7). Use each socket to power 120 Volt AC, single phase, 60 Hz electrical loads requiring up to a combined 2400 watts (2.4 kW) or 20 Amps of current. Use only high quality, well-insulated, 3-wire grounded cord sets rated for 125 Volts at 20 Amps (or greater).

Keep extension cords as short as possible, preferably less than 15 feet long, to prevent voltage drop and possible overheating of wires.

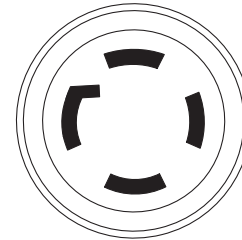
Figure 7 - 120 Volt AC, 20 Amp, GFCI Duplex Receptacle



### 2.3.2 120/240 VAC, 30 AMP RECEPTACLE

Use a NEMA L14-30 plug with this receptacle (rotate to lock/unlock). Connect a suitable 4-wire grounded cord set to the plug and to the desired load. The cord set should be rated for 250 Volts AC at 30 Amps (or greater) (Figure 8).

Figure 8 - 120/240 VAC, 30 Amp Receptacle



120V/240V  
30A

Use this receptacle to operate 120 Volt AC, 60 Hz, single phase loads requiring up to 3600 watts (3.6 kW) of power at 30 Amps or 240 Volt AC, 60 Hz, single phase loads requiring up to 7200 watts (7.2 kW) of power at 30 Amps. The outlet is protected by either a 27 Amp (6.5kW) or a 30 Amp (8.0kW) circuit breaker.

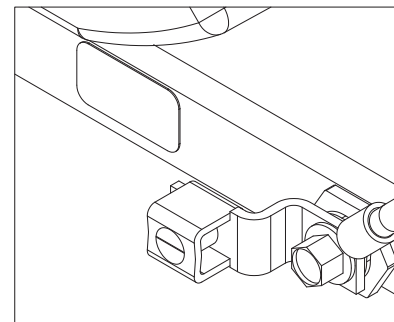
## 2.4 HOW TO USE THE GENERATOR

If there are any problems operating the generator, please call the generator helpline at 1-888-436-3722.

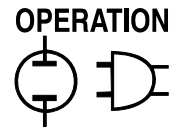
### 2.4.1 GROUNDING THE GENERATOR

The National Electrical Code requires that the frame and external electrically conductive parts of this generator be properly connected to an approved earth ground (Figure 9). Local electrical codes may also require proper grounding of the unit. For that purpose, connecting a No. 10 AWG (American Wire Gauge) stranded copper wire to the grounding lug and to an earth-driven copper or brass grounding rod (electrode) provides adequate protection against electrical shock. However, local codes may vary widely. Consult with a local electrician for grounding requirements in the area.

Figure 9 - Grounding the Generator







Proper grounding of the generator will help prevent electrical shock in the event of a ground fault condition in the generator or in connected electrical devices. Proper grounding also helps dissipate static electricity, which often builds up in ungrounded devices.

### 2.4.2 CONNECTING ELECTRICAL LOADS

**DO NOT** connect 240 Volt loads to 120 Volt receptacles. **DO NOT** connect 3-phase loads to the generator. **DO NOT** connect 50 Hz loads to the generator.

- Let engine stabilize and warm up for a few minutes after starting.
- Plug in and turn on the desired 120 or 240 Volt AC, single phase, 60 Hz electrical loads.
- Add up the rated watts (or amps) of all loads to be connected at one time. This total should not be greater than (a) the rated wattage/ampere capacity of the generator or (b) circuit breaker rating of the receptacle supplying the power. See "Don't Overload the Generator".

## 2.5 DON'T OVERLOAD THE GENERATOR

Overloading a generator in excess of its rated wattage capacity can result in damage to the generator and to connected electrical devices. Observe the following to prevent overloading the unit:

- Add up the total wattage of all electrical devices to be connected at one time. This total should NOT be greater than the generator's wattage capacity.
- The rated wattage of lights can be taken from light bulbs. The rated wattage of tools, appliances and motors can usually be found on a data label or decal affixed to the device.
- If the appliance, tool or motor does not give wattage, multiply volts times ampere rating to determine watts (volts x amps = watts).
- Some electric motors, such as induction types, require about three times more watts of power for starting than for running. This surge of power lasts only a few seconds when starting such motors. Make sure to allow for high starting wattage when selecting electrical devices to connect to the generator:
  1. Figure the watts needed to start the largest motor.
  2. Add to that figure the running watts of all other connected loads.

The Wattage Reference Guide is provided to assist in determining how many items the generator can operate at one time.

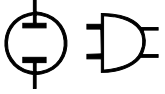
**NOTE:**

**All figures are approximate. See data label on appliance for wattage requirements.**

## 2.6 WATTAGE REFERENCE GUIDE

Device	Running Watts
*Air Conditioner (12,000 Btu)	1700
*Air Conditioner (24,000 Btu)	3800
*Air Conditioner (40,000 Btu)	6000
Battery Charger (20 Amp)	500
Belt Sander (3")	1000
Chain Saw	1200
Circular Saw (6-1/2")	.800 to 1000
*Clothes Dryer (Electric)	5750
*Clothes Dryer (Gas)	700
*Clothes Washer	1150
Coffee Maker	1750
*Compressor (1 HP)	2000
*Compressor (3/4 HP)	1800
*Compressor (1/2 HP)	1400
Curling Iron	700
*Dehumidifier	650
Disc Sander (9")	1200
Edge Trimmer	500
Electric Blanket	400
Electric Nail Gun	1200
Electric Range (per element)	1500
Electric Skillet	1250
*Freezer	700
*Furnace Fan (3/5 HP)	875
*Garage Door Opener	.500 to 750
Hair Dryer	1200
Hand Drill	.250 to 1100
Hedge Trimmer	450
Impact Wrench	500
Iron	1200
*Jet Pump	800
Lawn Mower	1200
Light Bulb	100
Microwave Oven	.700 to 1000
*Milk Cooler	1100
Oil Burner on Furnace	300
Oil Fired Space Heater (140,000 Btu)	400
Oil Fired Space Heater (85,000 Btu)	225
Oil Fired Space Heater (30,000 Btu)	150
*Paint Sprayer, Airless (1/3 HP)	600
Paint Sprayer, Airless (handheld)	150
Radio	.50 to 200
*Refrigerator	700
Slow Cooker	200
*Submersible Pump (1-1/2 HP)	2800
*Submersible Pump (1 HP)	2000
*Submersible Pump (1/2 HP)	1500
*Sump Pump	.800 to 1050
*Table Saw (10")	1750 to 2000
Television	.200 to 500
Toaster	1000 to 1650
Weed Trimmer	500

\* Allow 3 times the listed watts for starting these devices.



## 2.7 BEFORE STARTING THE GENERATOR

Prior to operating the generator, engine oil and gasoline will need to be added, as follows:

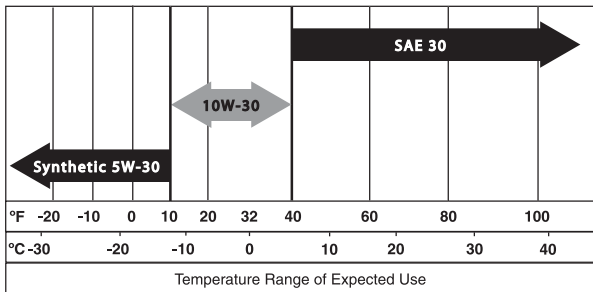
### 2.7.1 ADDING ENGINE OIL

All oil should meet minimum American Petroleum Institute (API) Service Class SJ, SL or better. Use no special additives. Select the oil's viscosity grade according to the expected operating temperature (also see chart).

- Above 40° F, use SAE 30
- Below 40° F and down to 10° F, use 10W-30
- Below 10° F, use synthetic 5W-30



**Any attempt to crank or start the engine before it has been properly serviced with the recommended oil may result in an engine failure.**



- Place generator on a level surface.
- Clean area around oil fill and remove oil fill cap.
- Slowly fill engine with oil through the oil fill opening until it reaches the full mark. Stop filling occasionally to check oil level. (Engine oil is full when level is up to the threads of the oil fill plug.)
- Install oil fill cap and finger tighten securely.
- Check engine oil level before starting each time thereafter.

### 2.7.2 ADDING GASOLINE



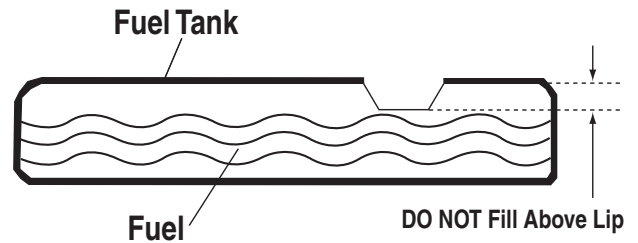
**Never fill fuel tank indoors. Never fill fuel tank when engine is running or hot. Allow engine to cool entirely before filling fuel tank. DO NOT light a cigarette or smoke when filling the fuel tank.**



**Do not overfill the fuel tank. Always leave room for fuel expansion. Wipe up any spilled fuel immediately.**

- Use regular UNLEADED gasoline with the generator engine. Do not use premium gasoline. Do not mix oil with gasoline.
- Do not use gasoline with more than 10% alcohol such as E85 or Methanol.
- Clean area around fuel fill cap, remove cap.
- Slowly add unleaded regular gasoline to fuel tank. Fill to bottom of screen filter. **Be careful not to overfill** (Figure 10).
- Install fuel cap and wipe up any spilled gasoline.

Figure 10 - Fuel Tank



**IMPORTANT:** It is important to prevent gum deposits from forming in fuel system parts such as the carburetor, fuel hose or tank during storage. Alcohol-blended fuels (called gasohol, ethanol or methanol) can attract moisture, which leads to separation and formation of acids during storage. Acidic gas can damage the fuel system of an engine while in storage. To avoid engine problems, the fuel system should be emptied before storage of 30 days or longer. See the "Storage" section. Never use engine or carburetor cleaner products in the fuel tank as permanent damage may occur.

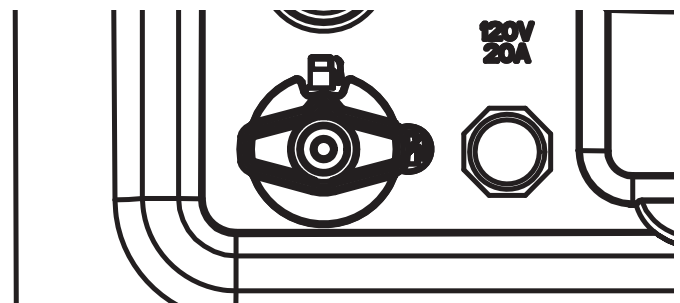
## 2.8 TO START THE ENGINE



**Never start or stop engine with electrical devices plugged into the receptacles AND devices turned on.**

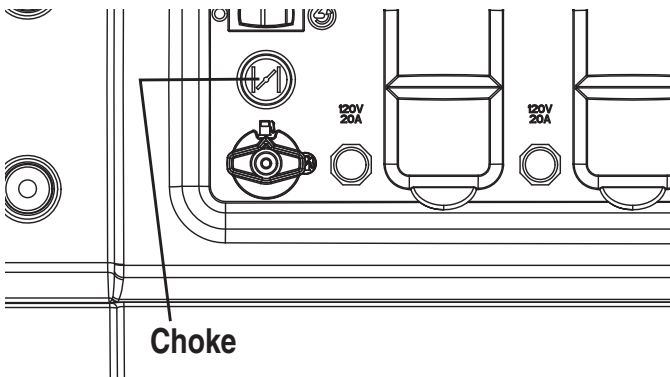
- Unplug all electrical loads from the unit's receptacles before starting the engine.
- Make sure the unit is in a level position.
- Open the fuel shut-off valve (Figure 11).

Figure 11 - Fuel Shut-off Valve



- Pull engine CHOKE knob outward to “Full Choke” position (Figure 12).

Figure 12 - Choke Position



- To start engine, press and hold the Start/Run/Stop switch in the “Start” position. The engine will crank and attempt to start. When the engine starts, release the switch to the run position.
- When the engine starts, push choke knob to “1/2 Choke” position until the engine runs smoothly and then fully in to the “Run” position. If engine falters, pull choke knob back out to “1/2 Choke” position until the engine runs smoothly and then to “Run” position.
- This generator is also equipped with a manual recoil starter which may be used if the battery is discharged.

**NOTE:**

The switch must be in the RUN position.

- To start manually, firmly grasp the recoil handle and pull slowly until increased resistance is felt. Pull rapidly up and away to start engine. Then follow the same choke sequence listed above.

**NOTE:**

If engine fires, but does not continue to run, pull choke knob to “Full Choke” and repeat starting instructions.

**IMPORTANT:** Do not overload the generator. Also, do not overload individual panel receptacles. These outlets are protected against overload with push-to-reset-type circuit breakers. If amperage rating of any circuit breaker is exceeded, that breaker opens and electrical output to that receptacle is lost. Read “Don’t Overload the Generator” carefully.

## 2.9 STOPPING THE ENGINE

- Shut off all loads, then unplug the electrical loads from generator panel receptacles. Never start or stop the engine with electrical devices plugged in and turned on.
- Let engine run at no-load for several minutes to stabilize the internal temperatures of engine and generator.
- Move Start/Run/Stop switch to “Off” position.
- Close fuel valve.

## 2.10 LOW OIL PRESSURE SHUTDOWN SYSTEM

The engine is equipped with a low oil pressure sensor that shuts down the engine automatically when the oil pressure drops below 5 psi. If the engine shuts down by itself and the fuel tank has enough gasoline, check engine oil level.

### 2.10.1 INITIAL START-UP

A delay built into the low oil shutdown system allows oil pressure to build during starting. The delay allows the engine to run for about 10 seconds before sensing oil pressure.

### 2.10.2 SENSING LOW OIL PRESSURE

If the system senses low oil pressure during operation, the engine shuts down.

### 2.10.3 RESTARTING

If trying to restart the engine within 10 seconds after it shuts down, the engine may NOT start. The system needs 5 to 10 seconds to reset.

If the engine is restarted after such a shutdown and the low oil pressure has not been corrected, the engine will run for about 10 seconds as described above and then stop.

## 2.11 CHARGING A BATTERY



- ⚠ **Storage batteries give off explosive hydrogen gas while recharging. An explosive mixture will remain around the battery for a long time after it has been charged. The slightest spark can ignite the hydrogen and cause an explosion. Such an explosion can shatter the battery and cause blindness or other serious injury.**



- ⚠ **Do not permit smoking, open flame, sparks or any other source of heat around a battery. Wear protective goggles, rubber apron and rubber gloves when working around a battery. Battery electrolyte fluid is an extremely corrosive sulfuric acid solution that can cause severe burns. If spill occurs flush area with clear water immediately.**

Use battery charger plug to keep the battery charged and ready for use. Battery charging should be done in a dry location.

1. Plug charger into “Battery Charger Input” jack, located on the control panel. Plug wall receptacle end of the battery charger into a 120 Volt AC wall outlet (Figure 13).

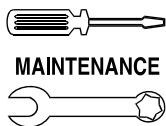
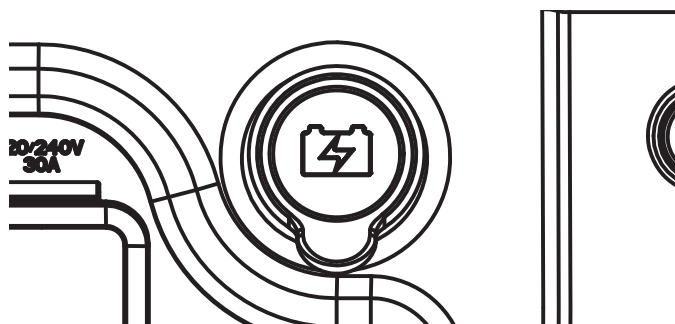


Figure 13 - Battery Charger Jack



- Unplug battery charger from wall outlet and control panel jack when generator is going to be in use.

**NOTE:**

**Do not use the battery charger for more than 48 hours at one charge.**

### 3.1 MAINTENANCE SCHEDULE

Follow the calendar intervals. More frequent service is required when operating in adverse conditions noted below.

Check Oil Level	At Each Use
Change Oil and Oil Filter ‡	*Every Season
Clean Spark Arrestor Screen	Every Season
Check Valve Clearance	***Every Season
Service Air Cleaner	**Every Season
Replace Spark Plug	Every Season

- ‡ Change oil after first 30 hours of operation then every season.
- \* Change oil and oil filter every month when operating under heavy load or in high temperatures.
- \*\* Clean more often under dirty or dusty operating conditions. Replace air cleaner parts if very dirty.
- \*\*\* Check valve clearance and adjust if necessary after first 50 hours of operation and every 100 hours thereafter.

### 3.2 PRODUCT SPECIFICATIONS

#### 3.2.1 GENERATOR SPECIFICATIONS

Model #	005606-0/005605-0
Rated Max. Power	8.0 kW**/6.5 kW**
Surge Power	12 kW/9.75 kW
Rated AC Voltage	120/240
Rated Max AC Load	
Current @ 240V	33.3 Amps**/27.1 Amps**
Current @ 120V	66.7 Amps**/54.2 Amps**
Rated Frequency	60 Hz @ 3600 RPM
Phase	Single Phase
Rated DC Voltage	12 Volts

- \*\* Maximum wattage and current are subject to, and limited by, such factors as fuel Btu content, ambient temperature, altitude, engine condition, etc..
- Maximum power decreases about 3.5% for each 1,000 feet above sea level; and will also decrease about 1% for each 6° C (10° F) above 16° C (60° F) ambient temperature.

#### 3.2.2 ENGINE SPECIFICATIONS

Rated Horsepower @ 3600 RPM	14.5
Displacement	410cc
Spark Plug Type	Champion RC14YC or Equivalent
Spark Plug Gap	0.030 inch or (0.76 mm)
Gasoline Capacity	9 U.S. gallons
Oil Type	See Chart in "Adding Engine Oil" Section
Oil Capacity	w/ Filter Change = 1.5 Qts. w/o Filter Change = 1.2 Qts.
Run Time/Fuel Consumption-1/2 Load	
8 kW	12 Hours / .73 gallons per hour
6.5 kW	14 Hours / .64 gallons per hour
Class II Emission Certified	

### 3.3 GENERAL RECOMMENDATIONS

The warranty of the generator does not cover items that have been subjected to operator abuse or negligence. To receive full value from the warranty, the operator must maintain the generator as instructed in this manual.

Some adjustments will need to be made periodically to properly maintain the generator.

All adjustments in the Maintenance section of this manual should be made at least once each season. Follow the requirements in the "Maintenance Schedule".

**NOTE:**

**Once a year replace the spark plug and replace the air filter. A new spark plug and clean air filter assure proper fuel-air mixture and help the engine run better and last longer.**

#### 3.3.1 GENERATOR MAINTENANCE

Generator maintenance consists of keeping the unit clean and dry. Operate and store the unit in a clean dry environment where it will not be exposed to excessive dust, dirt, moisture or any corrosive vapors. Cooling air slots in the generator must not become clogged with snow, leaves, or any other foreign material.

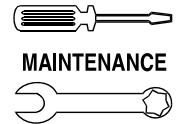
Check the cleanliness of the generator frequently and clean when dust, dirt, oil, moisture or other foreign substances are visible on its exterior surface.



**Never insert any object or tool through the air cooling slots, even if the engine is not running.**

**NOTE:**

**DO NOT use a garden hose to clean generator. Water can enter the engine fuel system and cause problems. In addition, if water enters the generator through cooling air slots, some water will be retained in voids and crevices of the rotor and stator winding insulation. Water and dirt buildup on the generator internal windings will eventually decrease the insulation resistance of these windings.**



### 3.3.2 TO CLEAN THE GENERATOR

- Use a damp cloth to wipe exterior surfaces clean.
- A soft, bristle brush may be used to loosen caked on dirt, oil, etc.
- A vacuum cleaner may be used to pick up loose dirt and debris.
- Low pressure air (not to exceed 25 psi) may be used to blow away dirt. Inspect cooling air slots and openings on the generator. These openings must be kept clean and unobstructed.

### 3.3.3 ENGINE MAINTENANCE



**When working on the generator, always disconnect negative cable from battery. Also disconnect spark plug wires from spark plug and keep wire away from spark plug.**

### 3.3.4 CHECKING OIL LEVEL

See the "BEFORE STARTING THE GENERATOR" section for information on checking the oil level. The oil level should be checked before each use, or at least every eight hours of operation. Keep the oil level maintained.

### 3.3.5 CHANGING THE OIL AND OIL FILTER

Change the oil and filter after the first 30 hours of operation. Change the oil every 100 hours or every season thereafter. If running this unit under dirty or dusty conditions, or in extremely hot weather, change the oil more often.



**Hot oil may cause burns. Allow engine to cool before draining oil. Avoid prolonged or repeated skin exposure with used oil. Thoroughly wash exposed areas with soap.**

#### NOTE:

**Whenever possible, run engine for approximately 5 minutes to get the engine oil hot. This will aid in draining the oil.**

**Use the following instructions to change the oil while the engine is still warm:**

- Clean area around oil drain plug.
- Remove oil drain plug from engine and oil fill plug to drain oil completely into a suitable container.
- When oil has completely drained, install oil drain plug and tighten securely.
- Place a suitable container beneath the oil filter and turn filter counterclockwise to remove. Discard according to local regulations.
- Coat gasket of new filter with clean engine oil. Turn filter clockwise until gasket contacts lightly with filter adapter. Then tighten an additional 3/4 turn.

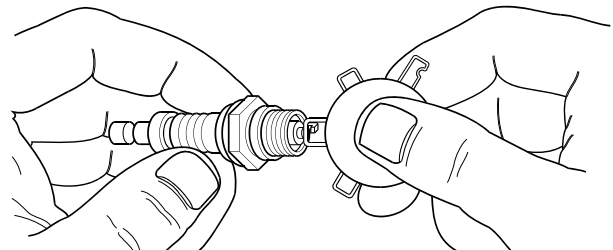
- Fill oil sump with recommended oil. (See "Before Starting the Generator" for oil recommendations).
- Wipe up any spilled oil.
- Dispose of used oil at a proper collection center.

### 3.3.6 REPLACING THE SPARK PLUG

Use Champion RC14YC spark plug or equivalent. **Replace the plug once each year.** This will help the engine start easier and run better.

1. Stop the engine and pull the spark plug wire off of the spark plug.
2. To gain access, remove the four (4) Torx screws "T27" and take off side panel.
3. Clean the area around the spark plug and remove it from the cylinder head.
4. Set the spark plug's gap to .76 mm (0.030 in.). Install the correctly gapped spark plug into the cylinder head (Figure 14).
5. Push the boot firmly on the spark plug and install side panel.

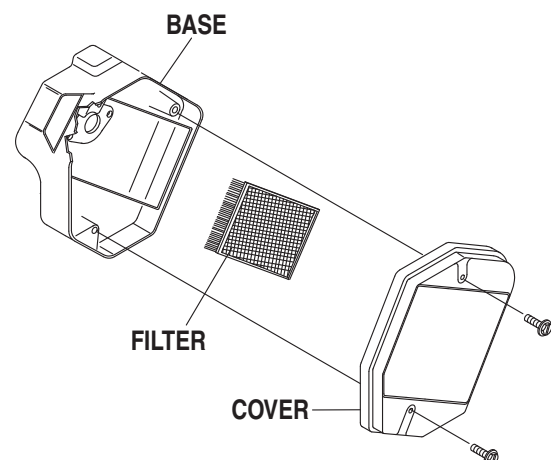
Figure 14 - Spark Plug Gap

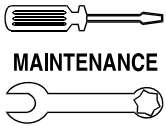


### 3.4 SERVICE AIR CLEANER

The engine will not run properly and may be damaged if using a dirty air cleaner. Clean or replace the air cleaner paper filter once a year (Figure 15). Clean or replace more often if operating under dusty conditions.

Figure 15 - Air Cleaner





MAINTENANCE

## Section 3 — Maintenance

### Portable Generator System

#### To clean or replace paper air filter:

- Remove air cleaner cover; then remove foam pre-filter (service if necessary) and remove paper filter.
- Clean paper filter by tapping it gently on a solid surface. If the filter is too dirty, replace it with a new one. Dispose of the old filter properly.
- Clean air cleaner cover then slip pre-cleaner over filter. Next insert new paper filter into the base of the air cleaner. Re-install air cleaner cover.

#### NOTE:

To order a new air filter, please contact the nearest authorized service center at 1-888-436-3722.

### 3.5 CLEAN SPARK ARRESTOR SCREEN

The engine exhaust muffler has a spark arrestor screen. Inspect and clean the screen at least once each year (Figure 16). If unit is used regularly, inspect and clean more often.

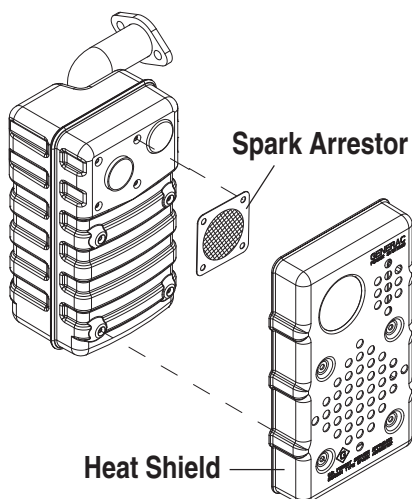
#### NOTE:

If using the generator on any forest-covered, brush-covered or grass-covered unimproved land, it must be equipped with a spark arrestor. The spark arrestor must be maintained in good condition by the owner/operator.

Clean and inspect the spark arrestor when the engine is at ambient temperature as follows:

- Remove muffler heat shield from muffler by removing the four screws.
- Remove spark arrestor from muffler by removing the four screws.
- Inspect screen and replace if torn, perforated or otherwise damaged. DO NOT USE a defective screen. If screen is not damaged, clean it with commercial solvent.
- Replace the spark arrestor and muffler heat shield.

Figure 16 - Spark Arrestor



### 3.6 ADJUSTING VALVE CLEARANCE

After the first 50 hours of operation, check the valve clearance in the engine and adjust if necessary.

**Important:** If feeling uncomfortable about doing this procedure or the proper tools are not available, please take the generator to the nearest service center to have the valve clearance adjusted. This is a very important step to insure longest life for the engine.

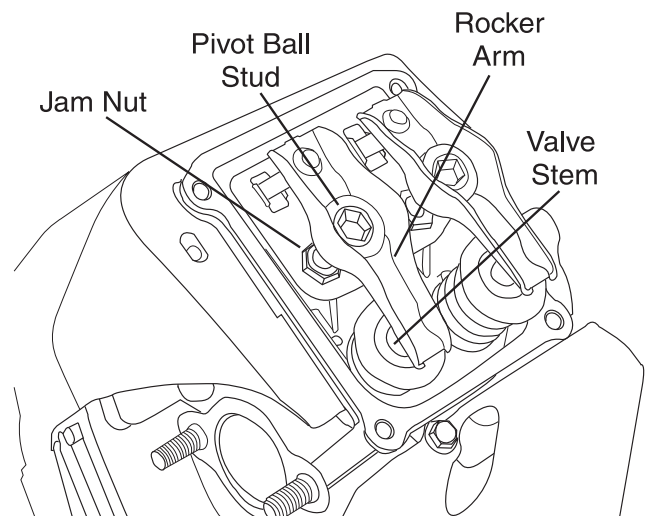
#### To check valve clearance:

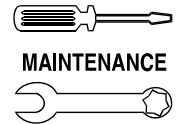
- Make sure the engine is at room temperature (60° - 80° F).
- Make sure that the spark plug wire is removed from the spark plug and out of the way. Remove spark plug.
- Remove the four screws attaching the valve cover.
- Make sure the piston is at Top Dead Center (TDC) of its compression stroke (both valves closed). To get the piston at TDC, remove the intake screen at the front of the engine to gain access to the flywheel nut. Use a large socket and socket wrench to rotate the nut and hence the engine in a clockwise direction while watching the piston through the spark plug hole. The piston should move up and down. The piston is at TDC when it is up as high as it can go.
- Insert a 0.002 - 0.004 inch (0.05 - 0.1mm) feeler gauge between the rocker arm and valve stem. Correct clearance is when a slight drag is felt when sliding the gauge back and forth. If the clearance is either excessively loose or tight the rocker arms will need adjusting.

#### To adjust valve clearance:

- Loosen the rocker jam nut (Figure 17). Use an 10mm allen wrench to turn the pivot ball stud while checking clearance between the rocker arm and the valve stem with a feeler gauge. Correct clearance is 0.002-0.004 inch (0.05-0.1 mm).

Figure 17 - Valve Clearance Adjustment





**NOTE:**

The rocker arm jam nut must be held in place as the pivot ball stud is turned.

When valve clearance is correct, hold the pivot ball stud in place with the allen wrench and tighten the rocker arm jam nut. Tighten the jam nut to 174 in/lbs. torque. After tightening the jam nut, recheck valve clearance to make sure it did not change.

- Install new valve cover gasket.
- Re-attach the valve cover.

**NOTE:**

Start all four screws before tightening or it will not be possible to get all the screws in place. Make sure the valve cover gasket is in place. Replace spark plug.

- Re-attach the spark plug wire to the spark plug.

### 3.7 GENERAL

The generator should be started at least once every seven days and be allowed to run at least 30 minutes. If this cannot be done and the unit must be stored for more than 30 days, use the following information as a guide to prepare it for storage.



- **NEVER** store engine with fuel in tank indoors or in enclosed, poorly ventilated areas where fumes may reach an open flame, spark or pilot light as on a furnace, water heater, clothes dryer or other gas appliance.

### 3.8 LONG TERM STORAGE

It is important to prevent gum deposits from forming in essential fuel system parts such as the carburetor, fuel hose or tank during storage. Also, experience indicates that alcohol-blended fuels (called gasohol, ethanol or methanol) can attract moisture, which leads to separation and formation of acids during storage. Acidic gas can damage the fuel system of an engine while in storage.

To avoid engine problems, the fuel system should be emptied before storage of 30 days or longer, as follows:

- Remove all gasoline from the fuel tank.



- **Drain fuel into approved container outdoors, away from open flame. Be sure engine is cool. Do not smoke in the vicinity or light a cigarette.**

- Start and run engine until engine stops from lack of fuel.
- While engine is still warm, drain oil from crankcase. Refill with recommended grade.
- Remove spark plugs and pour about 1/2 ounce (15 ml) of engine oil into the cylinders. Cover spark plug hole with rag. Pull the recoil starter a couple times to lubricate the piston rings and cylinder bore..



- **Avoid spray from spark plug holes when cranking engine.**

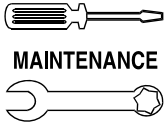
- Install and tighten spark plugs. Do not connect spark plug wires.
- Clean the generator outer surfaces. Check that cooling air slots and openings on generator are open and unobstructed.
- Store the unit in a clean, dry place.

### 3.9 OTHER STORAGE TIPS

- Do not store gasoline from one season to another.
- Replace the gasoline can if it starts to rust. Rust and/or dirt in the gasoline will cause problems with the carburetor and fuel system.
- If possible, store the unit indoors and cover it to give protection from dust and dirt. **BE SURE TO EMPTY THE FUEL TANK.**
- If it is not practical to empty the fuel tank and the unit is to be stored for some time, use a commercially available fuel stabilizer added to the gasoline to increase the life of the gasoline.
- Cover the unit with a suitable protective cover that does not retain moisture.



- **NEVER** cover the generator while engine and exhaust area are warm. Allow unit to cool entirely.



MAINTENANCE

## Section 4 — Battery Service

### Portable Generator System

#### 4.1 BATTERY SERVICE (REPLACEMENT)

The battery shipped with the generator has been provided fully charged. Caution must be taken when connecting the battery.

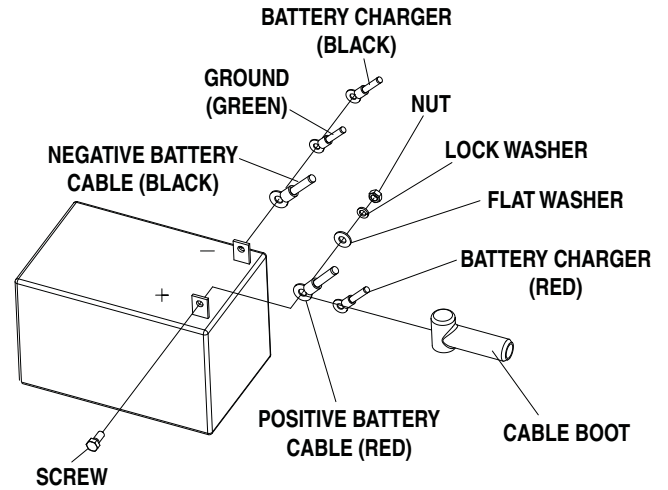
**NOTE:**

**A battery may lose some of its charge when not in use for prolonged periods of time. (See the "Know the Generator" section.)**

To replace the battery:

- Remove end panel as shown in Figure 5 in the "Know the Generator" section.
- Remove hold-down bracket.
- Disconnect the RED battery cable to the battery Positive terminal (+).
- Disconnect the BLACK battery cable to the battery Negative terminal (-).
- To install a new battery:
- Reverse the steps above and follow Figure 18.
- Double check all connections to ensure they are in the correct location and secure. See Figure 18.

*Figure 18 - Battery Connections*



Battery Type: CP12-10, 12V, 10AH





## 5.1 TROUBLESHOOTING GUIDE

PROBLEM	CAUSE	CORRECTION
Engine is running, but no AC output is available.	<ol style="list-style-type: none"> <li>1. Circuit breaker is open.</li> <li>2. Poor connection or defective cord set.</li> <li>3. Connected device is bad.</li> <li>4. Fault in generator.</li> <li>5. GFCI trips the 20 Amp outlets.</li> </ol>	<ol style="list-style-type: none"> <li>1. Reset circuit breaker.</li> <li>2. Check and repair.</li> <li>3. Connect another device that is in good condition.</li> <li>4. Contact Authorized Service Facility.</li> <li>5. Repair the "short" and reset the GFCI.</li> </ol>
Engine runs good but bogs down when loads are connected.	<ol style="list-style-type: none"> <li>1. Short circuit in a connected load.</li> <li>2. Generator is overloaded.</li> <li>3. Engine speed is too slow.</li> <li>4. Shorted generator circuit.</li> </ol>	<ol style="list-style-type: none"> <li>1. Disconnect shorted electrical load.</li> <li>2. See "Don't Overload the Generator" .</li> <li>3. Contact Authorized Service Facility.</li> <li>4. Contact Authorized Service Facility.</li> </ol>
Engine will not crank.	<ol style="list-style-type: none"> <li>1. Battery weak or dead.</li> </ol>	<ol style="list-style-type: none"> <li>1. Recharge or replace battery (see "No Battery Charger DC output" at bottom of guide).</li> <li>2. Start engine manually using recoil starter.</li> </ol>
Engine will not start; or starts and runs rough.	<ol style="list-style-type: none"> <li>1. Fuel shut-off is OFF.</li> <li>2. Dirty air cleaner.</li> <li>3. Out of gasoline.</li> <li>4. Stale gasoline.</li> <li>5. Spark plug wire not connected to spark plug.</li> <li>6. Bad spark plug.</li> <li>7. Water in gasoline.</li> <li>8. Over-choking.</li> <li>9. Low oil level.</li> <li>10. Excessive rich fuel mixture.</li> <li>11. Intake valve stuck open or closed.</li> <li>12. Engine has lost compression.</li> </ol>	<ol style="list-style-type: none"> <li>1. Turn Fuel shut-off ON.</li> <li>2. Clean or replace air cleaner.</li> <li>3. Fill fuel tank.</li> <li>4. Drain fuel tank and fill with fresh fuel.</li> <li>5. Connect wire to spark plug.</li> <li>6. Replace spark plug.</li> <li>7. Drain fuel tank; fill with fresh fuel.</li> <li>8. Put choke knob to <b>No Choke</b> position.</li> <li>9. Fill crankcase to proper level.</li> <li>10. Contact Authorized Service Facility.</li> <li>11. Contact Authorized Service Facility.</li> <li>12. Contact Authorized Service Facility.</li> </ol>
Engine shuts down during operation.	<ol style="list-style-type: none"> <li>1. Out of gasoline.</li> <li>2. Low oil level.</li> <li>3. Fault in engine.</li> </ol>	<ol style="list-style-type: none"> <li>1. Fill fuel tank.</li> <li>2. Fill crankcase to proper level.</li> <li>3. Contact Authorized Service Facility.</li> </ol>
Engine lacks power.	<ol style="list-style-type: none"> <li>1. Load is too high.</li> <li>2. Dirty air filter.</li> <li>3. Engine needs to be serviced.</li> </ol>	<ol style="list-style-type: none"> <li>1. See "Don't Overload the Generator".</li> <li>2. Replace air filter.</li> <li>3. Contact Authorized Service Facility.</li> </ol>
Engine "hunts" or falters.	<ol style="list-style-type: none"> <li>1. Choke is opened too soon.</li> <li>2. Carburetor is running too rich or too lean.</li> </ol>	<ol style="list-style-type: none"> <li>1. Move choke to halfway position until engine runs smoothly.</li> <li>2. Contact Authorized Service Facility.</li> </ol>
No Battery Charger DC output.	<ol style="list-style-type: none"> <li>1. Battery posts are corroded.</li> <li>2. Battery cable is bad.</li> <li>3. Battery is defective.</li> <li>4. Receptacle is bad.</li> <li>5. Battery Charger in-line fuse (1.5A) melted open.</li> </ol>	<ol style="list-style-type: none"> <li>1. Clean battery posts.</li> <li>2. Replace cable.</li> <li>3. Check battery condition; replace if defective.</li> <li>4. Contact Authorized Service Facility.</li> <li>5. Replace fuse with identical 1.5A replacement fuse only (located inside control panel).</li> </ol>



## Section 6 – Warranty

### Portable Generator System

#### FEDERAL EMISSION CONTROL WARRANTY STATEMENT YOUR WARRANTY RIGHTS AND OBLIGATIONS

The United States Environmental Protection Agency (EPA) and Generac Power Systems, Inc. (Generac) are pleased to explain the Emission Control System warranty on your new 2008 and later equipment. New equipment that use small spark-ignited engines must be designed, built, and equipped to meet stringent anti-smog standards for the federal government. Generac will warrant the emission control system on your generator for the period of time listed below provided there has been no abuse, neglect, unapproved modification or improper maintenance of your equipment.

Your emission control system may include parts such as the: carburetor, ignition system, fuel system, catalytic converter, and other associated emission-related components (if equipped).

#### **MANUFACTURER'S WARRANTY COVERAGE:**

This emission control system is warranted for two years. If, during such warranty period, any emission-related part on your equipment is found to be defective in materials or workmanship, repairs or replacement will be performed by a Generac Authorized Warranty Service Dealer.

#### **OWNER'S WARRANTY RESPONSIBILITIES:**

As the generator owner, you are responsible for the completion of all required maintenance as listed in your factory supplied Owner's Manual. For warranty purposes, Generac recommends that you retain all receipts covering maintenance on your generator, but Generac cannot deny warranty solely due to the lack of receipts.

As the generator owner, you should be aware that Generac may deny any and/or all warranty coverage or responsibility if your generator, or a part/component thereof, has failed due to abuse, neglect, improper maintenance or unapproved modifications, or the use of counterfeit and/or "grey market" parts not made, supplied or approved by Generac.

**You are responsible for contacting a Generac Authorized Warranty Dealer as soon as a problem occurs. The warranty repairs should be completed in a reasonable amount of time, not to exceed 30 days.**

Warranty service can be arranged by contacting either your selling dealer or a Generac Authorized Warranty Service Dealer. To locate the Generac Authorized Warranty Service Dealer nearest you, call our toll free number:

**1-800-333-1322**

**IMPORTANT NOTE:** This warranty statement explains your rights and obligations under the Emission Control System Warranty (ECS Warranty), which is provided to you by Generac pursuant to federal law. See also the "Generac Limited Warranties for Generac Power Systems, Inc.," which is enclosed herewith on a separate sheet, also provided to you by Generac. Note that this warranty shall not apply to any incidental, consequential or indirect damages caused by defects in materials or workmanship or any delay in repair or replacement of the defective part(s). This warranty is in place of all other warranties, expressed or implied. Specifically, Generac makes no other warranties as to the merchantability or fitness for a particular purpose. Some states do not allow limitations on how long an implied warranty lasts, so the above limitation may not apply to you.

The ECS Warranty applies only to the emission control system of your new equipment. If there is any conflict in terms between the ECS Warranty and the Generac Warranty, the Generac Warranty shall apply. Both the ECS Warranty and the Generac Warranty describe important rights and obligations with respect to your new engine.

Warranty service can be performed only by a Generac Authorized Warranty Service Facility. When requesting warranty service, evidence must be presented showing the date of the sale to the original purchaser/owner.

If you have any questions regarding your warranty rights and responsibilities, you should contact Generac at the following address:

**ATTENTION WARRANTY DEPARTMENT  
GENERAC POWER SYSTEMS, INC.  
P.O. BOX 297 • WHITEWATER, WI 53190**

Part 1

Part No. 0H1911 Rev. A 01/09



## EMISSION CONTROL SYSTEM WARRANTY

Emission Control System Warranty (ECS warranty) for equipment using small spark-ignited engines:

- (a) **Applicability:** This warranty shall apply to equipment that uses small off-road engines. The ECS Warranty period shall begin on the date the new equipment is purchased by/delivered to its original, end-use purchaser/owner and shall continue for 24 consecutive months thereafter.
- (b) **General Emissions Warranty Coverage:** Generac warrants to the original, end-use purchaser/owner of the new engine or equipment and to each subsequent purchaser/owner that the ECS when installed was:
  - (1) Designed, built and equipped so as to conform with all applicable regulations; and
  - (2) Free from defects in materials and workmanship which cause the failure of a warranted part at any time during the ECS Warranty Period.
- (c) The warranty on emissions-related parts will be interpreted as follows:
  - (1) Any warranted part that is not scheduled for replacement as required maintenance in the Owner's Manual shall be warranted for the ECS Warranty Period. If any such part fails during the ECS Warranty Period, it shall be repaired or replaced by Generac according to Subsection (4) below. Any such part repaired or replaced under the ECS Warranty shall be warranted for the remainder of the ECS Warranty Period.
  - (2) Any warranted part that is scheduled only for regular inspection as specified in the Owner's Manual shall be warranted for the ECS Warranty Period. A statement in the Owner's Manual to the effect of "repair or replace as necessary" shall not reduce the ECS Warranty Period. Any such part repaired or replaced under the ECS Warranty shall be warranted for the remainder of the ECS Warranty Period.
  - (3) Any warranted part that is scheduled for replacement as required maintenance in the Owner's Manual shall be warranted for the period of time prior to first scheduled replacement point for that part. If the part fails prior to the first scheduled replacement, the part shall be repaired or replaced by Generac according to Subsection (4) below. Any such emissions-related part repaired or replaced under the ECS warranty shall be warranted for the remainder of the period prior to the first scheduled replacement point for that part.
  - (4) Repair or replacement of any warranted, emissions-related part under this ECS Warranty shall be performed at no charge to the owner at a Generac Authorized Warranty Service Facility.
  - (5) Notwithstanding the provisions of subsection (4) above, warranty services or repairs must be provided at Generac Authorized Service Facilities.
  - (6) When the engine is inspected by a Generac Authorized Warranty Service Facility, the purchaser/owner shall not be held responsible for diagnostic costs if the repair is deemed warrantable.
  - (7) Throughout the ECS Warranty Period, Generac shall maintain a supply of warranted emission-related parts sufficient to meet the expected demand for such parts.
  - (8) Any Generac authorized and approved emission-related replacement parts may be used in the performance of any ECS warranty maintenance or repairs and will be provided without charge to the purchaser/owner. Such use shall not reduce Generac ECS Warranty obligations.
  - (9) Unapproved, add-on, modified, counterfeit and/or "grey market" parts may not be used to modify or repair a Generac engine. Such use voids this ECS Warranty and shall be sufficient grounds for disallowing an ECS Warranty claim. Generac shall not be held liable hereunder for failures of any warranted parts of Generac equipment caused by the use of such an unapproved, add-on, modified, counterfeit and/or "grey market" part.

### EMISSION RELATED PARTS MAY INCLUDE THE FOLLOWING (IF EQUIPPED):

- |                                  |                         |
|----------------------------------|-------------------------|
| 1) FUEL METERING SYSTEM          | 4) AIR INJECTION SYSTEM |
| A. CARBURETOR AND INTERNAL PARTS | A. PULSE AIR VALVE      |
| B. PRESSURE REGULATOR            | 5) EXHAUST SYSTEM       |
| 2) AIR INDUCTION SYSTEM          | A. CATALYST             |
| A. INTAKE MANIFOLD               | B. THERMAL REACTOR      |
| B. AIR FILTER                    | C. EXHAUST MANIFOLD     |
| 3) IGNITION SYSTEM               |                         |
| A. SPARK PLUGS                   |                         |
| B. IGNITION COILS / MODULE       |                         |

Part 2



## Section 6 – Warranty

### Portable Generator System

#### GENERAC POWER SYSTEMS “THREE YEAR” LIMITED WARRANTY FOR XP SERIES PORTABLE GENERATORS

For a period of three years from the date of original sale, Generac Power Systems, Inc. (Generac) warrants its XP Series generators will be free from defects in materials and workmanship for the items and period set forth below. Generac will, at its option, repair or replace any part which, upon examination, inspection and testing by Generac or a Generac Authorized Warranty Service Dealer, is found to be defective. Any equipment that the purchaser/owner claims to be defective must be returned to and examined by the nearest Generac Authorized Warranty Service Dealer. All transportation costs under the warranty, including return to the factory, are to be borne and prepaid by the purchaser/owner. This warranty applies only to Generac XP Series portable generators and is not transferable from original purchaser. Save your proof-of-purchase receipt. If you do not provide proof of the initial purchase date, the manufacturer's shipping date of the product will be used to determine the warranty period.

#### WARRANTY SCHEDULE

Consumer applications are warranted for three (3) years. Commercial and Rental applications are warranted for two (2) years or 1500 hours maximum, whichever comes first.

#### CONSUMER APPLICATION

YEARS ONE and TWO - 100% (one hundred percent) coverage on Labor and Part(s) listed (proof of purchase and maintenance is required):

- Engine- All Components
- Alternator- All Components

YEAR THREE- 100% (one hundred percent) coverage on Part(s) listed (proof of purchase and maintenance is required):

- Engine- All Components
- Alternator- All Components

#### COMMERCIAL/RENTAL APPLICATION

YEARS ONE and TWO – 100% (one hundred percent) coverage on Labor and Part(s) listed (proof of purchase and maintenance is required):

- Engine- All Components
- Alternator- All Components

**NOTE:** For the purpose of this warranty “consumer use” means personal residential household or recreational use by original purchaser. This warranty does not apply to units used for Prime Power in place of utility where utility power service is present or where utility power service does not normally exist. Once a generator has experienced commercial or rental use, it shall thereafter be considered a non-consumer use generator for the purpose of this warranty.

All warranty expense allowances are subject to the conditions defined in Generac's Warranty Policies, Procedures and Flat Rate Manual.

#### THIS WARRANTY SHALL NOT APPLY TO THE FOLLOWING:

- Generac portable generators that utilize non-Generac replacement parts.
- Costs of normal maintenance and adjustments.
- Failures caused by any contaminated fuels, oils or lack of proper oil levels.
- Repairs or diagnostics performed by individuals other than Guardian/Generac authorized dealers not authorized in writing by Generac Power Systems.
- Failures due, but not limited, to normal wear and tear, accident, misuse, abuse, negligence or improper use. As with all mechanical devices, the Generac engines need periodic part(s) service and replacement to perform as designed. This warranty will not cover repair when normal use has exhausted the life of a part(s) or engine.
- Failures caused by any act of God and other force majeure events beyond the manufactures control.
- Damage related to rodent and/or insect infestation.
- Products that are modified or altered in a manner not authorized by Generac in writing.
- Any incidental, consequential or indirect damages caused by defects in materials or workmanship, or any delay in repair or replacement of the defective part(s).
- Failure due to misapplication.
- Telephone, cellular phone, facsimile, internet access or other communication expenses.
- Living or travel expenses of person(s) performing service, except as specifically included within the terms of a specific unit warranty period.
- Expenses related to “customer instruction” or troubleshooting where no manufacturing defect is found.
- Rental equipment used while warranty repairs are being performed.
- Overnight freight or special shipping costs for replacement part(s).
- Overtime, holiday or emergency labor.
- Starting batteries, fuses, light bulbs and engine fluids.

THIS WARRANTY IS IN PLACE OF ALL OTHER WARRANTIES, EXPRESSED OR IMPLIED, SPECIFICALLY, GENERAC POWER SYSTEMS MAKES NO OTHER WARRANTIES AS TO THE MERCHANTABILITY OR FITNESS FOR A PARTICULAR PURPOSE. Any implied warranties which are allowed by law, shall be limited in duration to the terms of the express warranty provided herein. Some states do not allow limitations on how long an implied warranty lasts, so the above limitation may not apply to purchaser/owner.

GENERAC POWER SYSTEMS ONLY LIABILITY SHALL BE THE REPAIR OR REPLACEMENT OF PART(S) AS STATED ABOVE. IN NO EVENT SHALL GENERAC POWER SYSTEMS BE LIABLE FOR ANY INCIDENTAL, OR CONSEQUENTIAL DAMAGES, EVEN IF SUCH DAMAGES ARE A DIRECT RESULT OF GENERAC POWER SYSTEMS, INC. NEGLIGENCE. Some states do not allow the exclusion or limitation of incidental or consequential damages, so the above limitations may not apply to purchaser/owner. Purchaser/owner agrees to make no claims against Generac Power Systems, Inc. based on negligence. This warranty gives purchaser/owner specific legal rights. Purchaser/owner also may have other rights that vary from state to state.

**GENERAC POWER SYSTEMS, INC.**

**P.O. BOX 8 • Waukesha, WI 53187**

**Ph: (888) GENERAC (436-3722) • Fax: (262) 544-4851**

**To locate the nearest Authorized Dealer visit our website [www.generac.com](http://www.generac.com)**

## Free Manuals Download Website

<http://myh66.com>

<http://usermanuals.us>

<http://www.somanuals.com>

<http://www.4manuals.cc>

<http://www.manual-lib.com>

<http://www.404manual.com>

<http://www.luxmanual.com>

<http://aubethermostatmanual.com>

Golf course search by state

<http://golfingnear.com>

Email search by domain

<http://emailbydomain.com>

Auto manuals search

<http://auto.somanuals.com>

TV manuals search

<http://tv.somanuals.com>