

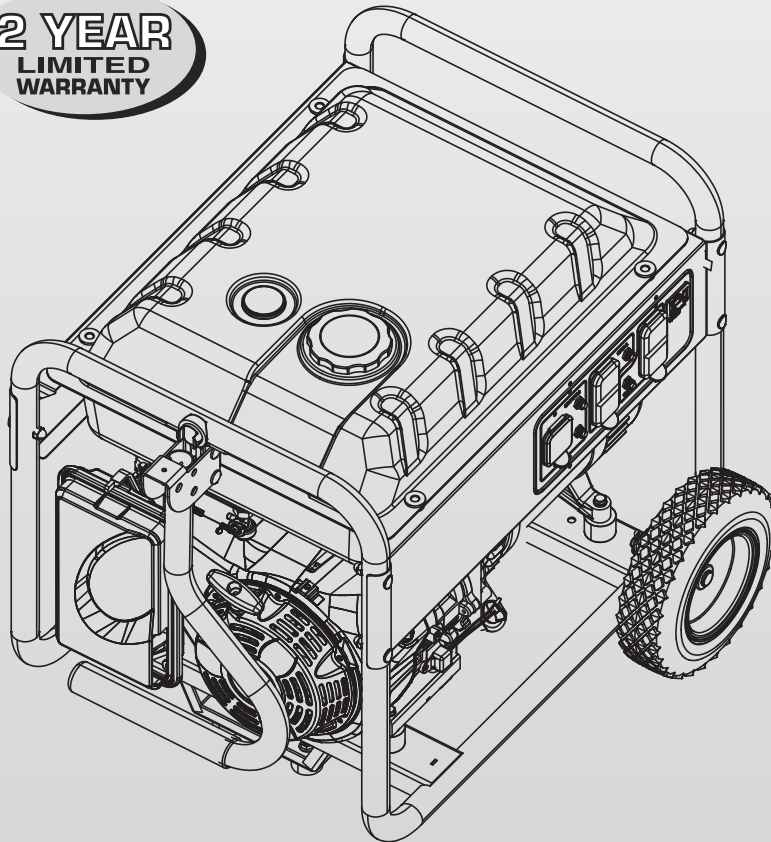
GENERAC®

MODELS: 005938-0, 005939-0,
005940-0, 005941-0

Owner's Manual

GP Series Portable Generator

2 YEAR
LIMITED
WARRANTY



www.generac.com or 1-888-436-3722

Table of Contents

Introduction.....	1	Maintenance	9
Read this Manual Thoroughly	1	3.1 Maintenance Schedule	9
Safety Rules	1	3.2 Product Specifications.....	10
Standards Index	3	3.2.1 Generator Specifications	10
General Information.....	4	3.2.2 Engine Specifications.....	10
1.1 Unpacking.....	4	3.2.3 Emissions Information	10
1.1.1 Accessory Box	4	3.3 General Recommendations.....	10
1.2 Assembly.....	4	3.3.1 Generator Maintenance	10
1.2.1 Assembling the Accessory Kit.....	4	3.3.2 To Clean the Generator.....	10
1.2.2 Starter Connection (Electric Start Only).....	4	3.3.3 Engine Maintenance.....	10
Operation	4	3.3.4 Checking Oil Level	11
2.1 Know the Generator	4	3.3.5 Changing the Oil	11
2.2 Hourmeter.....	5	3.3.6 Replacing the Spark Plug	11
2.3 Cord Sets and Connection Plugs	6	3.4 Service Air Filter	11
2.3.1 120 VAC, 20 Amp, Duplex Receptacle	6	3.5 Valve Clearance.....	11
2.3.2 120/240 VAC, 30 Amp, Receptacle.....	6	3.6 General	12
2.4 How to Use the Generator	6	3.7 Long Term Storage.....	12
2.4.1 Grounding the Generator	6	3.8 Other Storage Tips	12
2.4.2 Connecting Electrical Loads	6	Troubleshooting	13
2.5 Don't Overload the Generator.....	7	4.1 Troubleshooting Guide.....	13
2.6 Wattage Reference Guide	7	Notes	14
2.7 Before Starting the Generator	7	Warranty	16
2.7.1 Adding Engine Oil	7	<hr/>	
2.7.2 Adding Gasoline.....	8	Manual del propietario	19
2.8 Starting Pull Start Engines.....	8	Manuel d'entretien	37
2.9 Starting Electric Start Engines	9		
2.10 Stopping the Engine	9		
2.11 Low Oil Level Shutdown System	9		
2.11.1 Sensing Low Oil Level.....	9		

INTRODUCTION

Thank you for purchasing this model by Generac Power Systems, Inc. This model is a compact, high performance, air-cooled, engine driven generator designed to supply electrical power to operate electrical loads where no utility power is available or in place of utility due to a power outage.

READ THIS MANUAL THOROUGHLY

If any portion of this manual is not understood, contact the nearest Authorized Dealer for starting, operating and servicing procedures.

The operator is responsible for proper and safe use of the equipment. We strongly recommend that the operator read this manual and thoroughly understand all instructions before using the equipment. We also strongly recommend instructing other users to properly start and operate the unit. This prepares them if they need to operate the equipment in an emergency.

The generator can operate safely, efficiently and reliably only if it is properly located, operated and maintained. Before operating or servicing the generator:

- Become familiar with and strictly adhere to all local, state and national codes and regulations.
- Study all safety warnings in this manual and on the product carefully.
- Become familiar with this manual and the unit before use.

The manufacturer cannot anticipate every possible circumstance that might involve a hazard. The warnings in this manual, and on tags and decals affixed to the unit are, therefore, not all inclusive. If using a procedure, work method or operating technique that the manufacturer does not specifically recommend, ensure that it is safe for others. Also make sure the procedure, work method or operating technique utilized does not render the generator unsafe.

THE INFORMATION CONTAINED HEREIN WAS BASED ON MACHINES IN PRODUCTION AT THE TIME OF PUBLICATION. GENERAC RESERVES THE RIGHT TO MODIFY THIS MANUAL AT ANY TIME.

SAFETY RULES

Throughout this publication, and on tags and decals affixed to the generator, DANGER, WARNING, CAUTION and NOTE blocks are used to alert personnel to special instructions about a particular operation that may be hazardous if performed incorrectly or carelessly. Observe them carefully. Their definitions are as follows:

DANGER!

INDICATES A HAZARDOUS SITUATION OR ACTION WHICH, IF NOT AVOIDED, WILL RESULT IN DEATH OR SERIOUS INJURY.

WARNING!

Indicates a hazardous situation or action which, if not avoided, could result in death or serious injury.

CAUTION!


Indicates a hazardous situation or action which, if not avoided, could result in minor or moderate injury.

NOTE:

Notes contain additional information important to a procedure and will be found within the regular text body of this manual.

These safety warnings cannot eliminate the hazards that they indicate. Common sense and strict compliance with the special instructions while performing the action or service are essential to preventing accidents.

Four commonly used safety symbols accompany the **DANGER**, **WARNING** and **CAUTION** blocks. The type of information each indicates is as follows:

 **This symbol points out important safety information that, if not followed, could endanger personal safety and/or property of others.**

 **This symbol points out potential explosion hazard.**

 **This symbol points out potential fire hazard.**

 **This symbol points out potential electrical shock hazard.**

GENERAL HAZARDS

- Never operate in an enclosed area or indoors.
- For safety reasons, the manufacturer recommends that the maintenance of this equipment is carried out by an Authorized Dealer. Inspect the generator regularly, and contact the nearest Authorized Dealer for parts needing repair or replacement.
- Operate generator only on level surfaces and where it will not be exposed to excessive moisture, dirt, dust or corrosive vapors.
- Keep hands, feet, clothing, etc., away from drive belts, fans, and other moving parts. Never remove any fan guard or shield while the unit is operating.
- Certain parts of the generator get extremely hot during operation. Keep clear of the generator until it has cooled to avoid severe burns.
- Do NOT operate generator in the rain.
- Do not alter the construction of the generator or change controls which might create an unsafe operating condition.
- Never start or stop the unit with electrical loads connected to receptacles AND with connected devices turned ON. Start the engine and let it stabilize before connecting electrical loads. Disconnect all electrical loads before shutting down the generator.
- Do not insert objects through unit's cooling slots.
- When working on this equipment, remain alert at all times. Never work on the equipment when physically or mentally fatigued.

Safety Rules




- Never use the generator or any of its parts as a step. Stepping on the unit can stress and break parts, and may result in dangerous operating conditions from leaking exhaust gases, fuel leakage, oil leakage, etc.
- On electric start models, disconnect the POSITIVE (+) battery cable from the engine starter OR the NEGATIVE (-) battery cable from the battery terminal, whichever is easier, before transporting the generator.

NOTE:

This generator is equipped with a spark arrestor muffler. The spark arrestor must be maintained in effective working order by the owner/ operator. In the State of California, a spark arrestor is required by law (Section 4442 of the California Public Resources Code). Other states may have similar laws. Federal laws apply on federal lands.

EXHAUST & LOCATION HAZARDS

- **Never operate in an enclosed area or indoors! NEVER use in the home, or in partly enclosed areas such as garages, even if doors and windows are open! ONLY use outdoors and far from open windows, doors, vents, and in an area that will not accumulate deadly exhaust.**

 DANGER	
Using a generator indoors CAN KILL YOU IN MINUTES.	
Generator exhaust contains carbon monoxide. This is a poison you cannot see or smell.	
	
NEVER use inside a home or garage, EVEN IF doors and windows are open.	
	Only use OUTSIDE and far away from windows, doors, and vents.

- The engine exhaust fumes contain carbon monoxide, which you cannot see or smell. This poisonous gas, if breathed in sufficient concentrations, can cause unconsciousness or even death.
- Adequate, unobstructed flow of cooling and ventilating air is critical to correct generator operation. Do not alter the installation or permit even partial blockage of ventilation provisions, as this can seriously affect safe operation of the generator. The generator **MUST** be operated outdoors.
- This exhaust system must be properly maintained. Do nothing that might render the exhaust system unsafe or in noncompliance with any local codes and/or standards.
- Always use a battery operated carbon monoxide alarm indoors, installed according to the manufacturer's instructions.
- If you start to feel sick, dizzy, or weak after the generator has been running, move to fresh air **IMMEDIATELY**. See a doctor, as you could have carbon monoxide poisoning.

ELECTRICAL HAZARDS

- The generator produces dangerously high voltage when in operation. Avoid contact with bare wires, terminals, connections, etc., while the unit is running, even on equipment connected to the generator. Ensure all appropriate covers, guards and barriers are in place before operating the generator.
- Never handle any kind of electrical cord or device while standing in water, while barefoot or while hands or feet are wet. **DANGEROUS ELECTRICAL SHOCK MAY RESULT.**
- The National Electric Code (NEC) requires the frame and external electrically conductive parts of the generator be properly connected to an approved earth ground. Local electrical codes may also require proper grounding of the generator. Consult with a local electrician for grounding requirements in the area.
- Use a ground fault circuit interrupter in any damp or highly conductive area (such as metal decking or steel work).
- Do not use worn, bare, frayed or otherwise damaged electrical cord sets with the generator.
- Before performing any maintenance on the generator, disconnect the engine starting battery (if equipped) to prevent accidental start up. Disconnect the cable from the battery post indicated by a NEGATIVE, NEG or (-) first. Reconnect that cable last.
- In case of accident caused by electric shock, immediately shut down the source of electrical power. If this is not possible, attempt to free the victim from the live conductor. **AVOID DIRECT CONTACT WITH THE VICTIM.** Use a non-conducting implement, such as a rope or board, to free the victim from the live conductor. If the victim is unconscious, apply first aid and get immediate medical help.

FIRE HAZARDS

- **Gasoline is highly FLAMMABLE and its vapors are EXPLOSIVE. Do not permit smoking, open flames, sparks or heat in the vicinity while handling gasoline.**
- Never add fuel while unit is running or hot. Allow engine to cool completely before adding fuel.
- **Never fill fuel tank indoors.** Comply with all laws regulating storage and handling of gasoline.
- **Do not overfill the fuel tank. Always allow room for fuel expansion.** If tank is over-filled, fuel can overflow onto a hot engine and cause FIRE or an EXPLOSION. Never store generator with fuel in tank where gasoline vapors might reach an open flame, spark or pilot light (as on a furnace, water heater or clothes dryer). FIRE or EXPLOSION may result. Allow unit to cool entirely before storage.
- Wipe up any fuel or oil spills immediately. Ensure that no combustible materials are left on or near the generator. Keep the area surrounding the generator clean and free from debris and keep a clearance of five (5) feet on all side to allow for proper ventilation of the generator.

- Do not insert objects through unit's cooling slots.
- **Do not** operate the generator if connected electrical devices overheat, if electrical output is lost, if engine or generator sparks or if flames or smoke are observed while unit is running.
- Keep a fire extinguisher near the generator at all times.

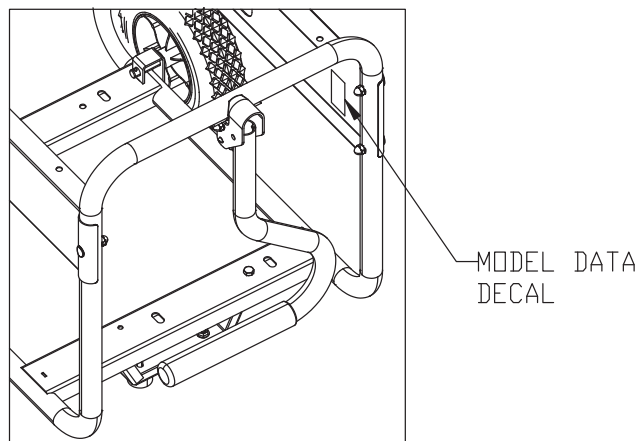
MODEL NO:	
SERIAL NO:	

STANDARDS INDEX

In the absence of pertinent standards, codes, regulations and laws, the published information listed below may be used as a guideline for operation of this equipment. Always reference the latest revision available for the standards listed.

1. NFPA No. 70, NFPA HANDBOOK OF NATIONAL ELECTRIC CODE.
2. Article X, NATIONAL BUILDING CODE, available from the American Insurance Association, 85 John Street, New York, N.Y. 10038.
3. AGRICULTURAL WIRING HANDBOOK, available from the Food and Energy Council, 909 University Avenue, Columbia, MO 65201.
4. ASAE EP-3634, INSTALLATION AND MAINTENANCE OF FARM STANDBY ELECTRICAL SYSTEMS, available from the American Society of Agricultural Engineers, 2950 Niles Road, St. Joseph, MI 49085.

Unit ID Location



CALIFORNIA PROPOSITION 65 WARNING

Engine exhaust and some of its constituents are known to the State of California to cause cancer, birth defects and other reproductive harm.

CALIFORNIA PROPOSITION 65 WARNING

This product contains or emits chemicals known to the State of California to cause cancer, birth defects and other reproductive harm.

General Information

1.1 UNPACKING

- Remove all packaging material.
- Remove separate accessory box.
- Remove the generator from carton.

1.1.1 ACCESSORY BOX

Check all contents. If any parts are missing or damaged, locate an authorized dealer at 1-888-436-3722.

- 1 - Owner's Manual
- 1 - Liter Oil SAE 30
- 2 - Never-Flat Wheels
- 1 - Hardware Bag (containing the following):
 - 2-Rubber Feet
 - 2-1/2" Axle Pins
 - 2-Cotter Pins
 - 2-1/2" Flat Washers
- 1 - Handle Assembly
- 1 - Frame Foot
- 1 - Battery Charger (electric start only)
 - 2-M8 Bolt (Long)
 - 2-M8 Bolts (Short)
 - 2-M8 Acorn Nut
 - 4-Hex Flanged M8 Nuts

1.2 ASSEMBLY

The generator requires some assembly prior to using it. If problems arise when assembling the generator, please call the Generator Helpline at 1-888-77LOWES.

1.2.1 ASSEMBLING THE ACCESSORY KIT

The wheels are designed into the unit to greatly improve the portability of the generator.

You will need the following tools to properly install the accessory kit.

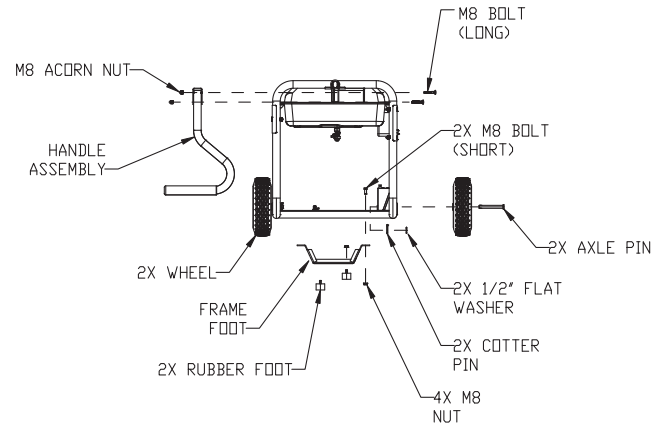
- Needle Nose Pliers
- Ratchet and a 13mm (1/2") socket
- 13mm (1/2") box wrench

NOTE:

The wheels are not intended for over-the-road use.

1. Refer to Figure 1 and install the Wheels as follows:
 - Slide the Axle Pins through the Wheel, 1/2" Flat Washer, and Wheel Bracket on the frame.
 - Insert the Cotter Pin through the Axle Pin then bend the tabs (of the Cotter Pins) outward to lock into place.
2. Refer to Figure 1 and install the Frame Foot and Rubber Bumpers as shown.
 - Slide the Rubber Bumper studs through the Frame Foot then install the Locking Flange Nuts.
 - Slide the Hex Head Bolts through the holes in the Frame Rail.
 - Slide the Frame Foot onto the Hex Head Bolts then install the Locking Flange Nuts.
3. Refer to Figure 1 and install the Handle as shown.
 - Slide the long Bolts through the Handle Bracket and Handle, then install the Hex Nuts.

Figure 1 – Wheel & Handle Assembly



1.2.2 STARTER CONNECTION (ELECTRIC START ONLY)

The unit has been deliberately shipped with the starter cable disconnected.

To connect starter:

1. Locate starter cable.
2. Pull vinyl boot back onto starter cable.
3. Remove nut and washer from starter post.
4. Put starter cable onto post and re-install washer and nut.

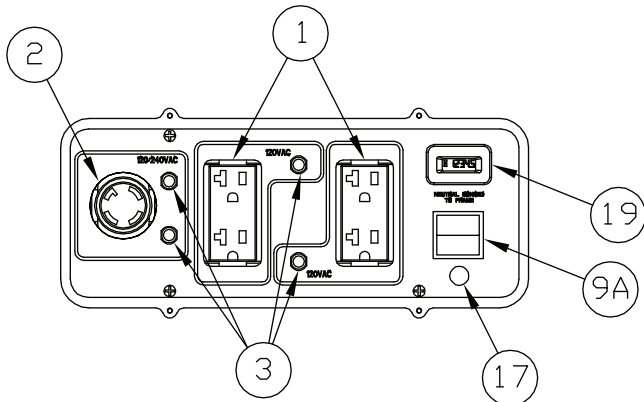
2.1 KNOW THE GENERATOR

Read the Owner's Manual and Safety Rules before operating this generator.

Compare the generator to Figures 2 through 4 to become familiarized with the locations of various controls and adjustments. Save this manual for future reference.

1. **120 Volt AC, 20 Amp, Duplex Receptacle** – Supplies electrical power for the operation of 120 Volt AC, 20 Amp, single-phase, 60 Hz electrical lighting, appliance, tool and motor loads.
2. **120/240 Volt AC, 30 Amp Locking Receptacle** – Supplies electrical power for the operation of 120 and/or 240 Volt AC, 30 Amp, single-phase, 60 Hz, electrical lighting, appliance, tool and motor loads.
3. **Circuit Breakers (AC)** – Each receptacle is provided with a push-to-reset circuit breaker to protect the generator against electrical overload.
4. **Oil Drain** – Use to drain engine oil.
5. **Air Filter** – Filters intake air as it is drawn into the engine.
6. **Choke Knob** – Used when starting a cold engine.
7. **Fuel Tank** – See generator Specifications for tank capacity.
8. **Grounding Lug** – Ground the generator to an approved earth ground here. See "Grounding the Generator" for details.
9. **Run/Stop Switch** – Controls the operation of the generator (pull start models only).
- 9A. **Start Switch** – Used to start engine from the starter motor (electric start models only).
10. **Muffler** – Quiets the engine.

Figure 2 - Control Panel



- 11. **Handle** – Pivot and retract for storage. Press the spring-loaded button to move handles.
- 12. **Gas Cap** – Fuel fill location.
- 13. **Fuel Gauge** – Shows fuel level in tank.
- 14. **Oil Fill** – Add oil here.
- 15. **Recoil Starter** – Use to start engine manually.
- 16. **Fuel Shut Off** – Valve between fuel tank and carburetor.
- 17. **Battery Charger Input** – This receptacle allows the capability to recharge the 12 volt DC storage battery provided with the 12 Volt Adaptor Plug Charger which is included in the Accessory Box. Located behind the battery charger input is a 1.50 Amp in-line fuse which is inside the control panel to protect the batter (electric start only).
- 18. **Battery** – Powers the electric starter (electric start only).
- 19. **Hourmeter** – Tracks hours of operation.

Figure 3 - Generator Controls

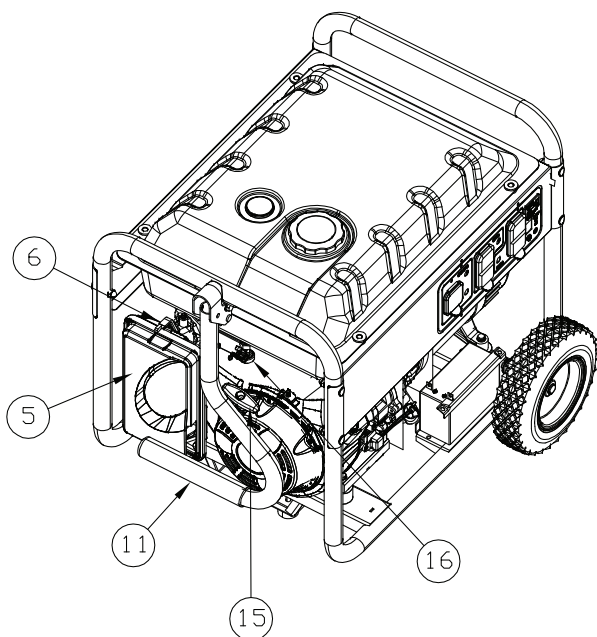
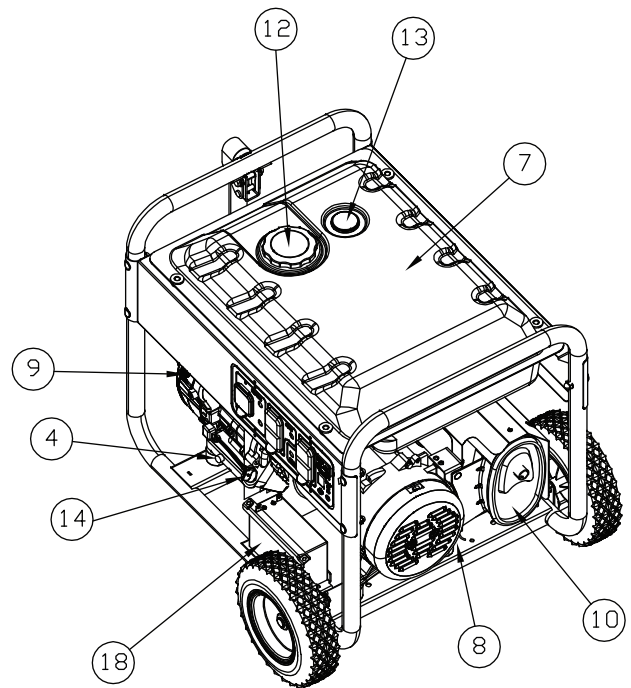


Figure 4 - Generator Controls



2.2 HOURMETER

The Hourmeter tracks hours of operation for scheduled maintenance:

There will be a "CHG OIL" message every 100 hours. The message will flash one hour before and one hour after each 100 hour interval, providing a two hour window to perform service.

This message will actually begin flashing at 99 hours and disable itself at 101 hours again, providing a two hour window to perform the service.

Every 200 hours the "SVC" icon on the lower left hand corner of the display will flash. The message will flash one hour before and one hour after each 200 hour interval providing a two hour window to perform service.

When the hour meter is in the Flash Alert mode, the maintenance message will always alternate with elapsed time in hours and tenths. The hours will flash four times, then alternate with the maintenance message four times until the meter resets itself.

- 100 hours - CHG OIL — Oil Change Interval (Every 100 hrs)

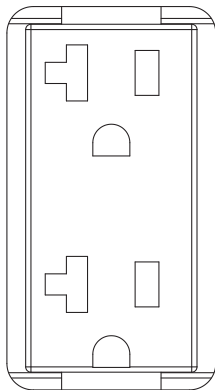
2.3 CORD SETS AND CONNECTION PLUGS

2.3.1 120 VAC, 20 AMP, DUPLEX RECEPTACLE

This is a 120 Volt outlet protected against overload by a 20 Amp push-to-reset circuit breaker (Figure 5). Use each socket to power 120 Volt AC, single phase, 60 Hz electrical loads requiring up to a combined 2400 watts (2.4 kW) or 20 Amps of current. Use only high quality, well-insulated, 3-wire grounded cord sets rated for 125 Volts at 20 Amps (or greater).

Keep extension cords as short as possible, preferably less than 15 feet long, to prevent voltage drop and possible overheating of wires.

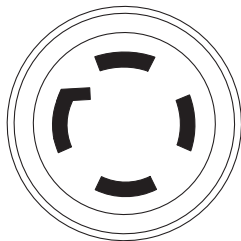
Figure 5 - 120 Volt AC, 20 Amp, Duplex Receptacle



2.3.2 120/240 VAC, 30 AMP RECEPTACLE

Use a NEMA L14-30 plug with this receptacle (rotate to lock/unlock). Connect a suitable 4-wire grounded cord set to the plug and to the desired load. The cord set should be rated for 250 Volts AC at 30 Amps (or greater) (Figure 6).

Figure 6 - 120/240 VAC, 30 Amp Receptacle



120V/240V
30A

Use this receptacle to operate 120 Volt AC, 60 Hz, single phase loads requiring up to 3600 watts (3.6 kW) of power at 30 Amps or 240 Volt AC, 60 Hz, single phase loads requiring up to 7200 watts (7.2 kW) of power at 30 Amps. The outlet is protected by two 25 Amp (5.0/5.5kW) or two 30 Amp (6.5kW) push-to-reset circuit breakers.

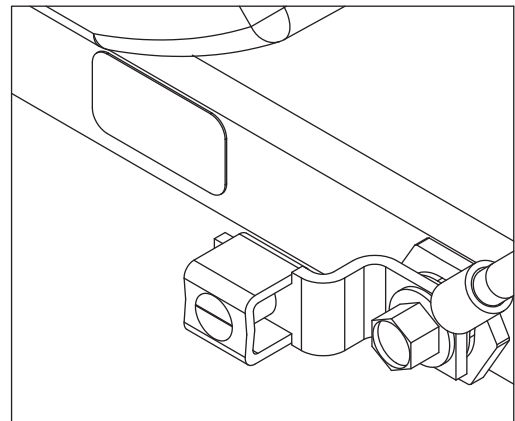
2.4 HOW TO USE THE GENERATOR

If there are any problems operating the generator, please call the generator helpline at 1-888-436-3722.

2.4.1 GROUNDING THE GENERATOR

The National Electrical Code requires that the frame and external electrically conductive parts of this generator be properly connected to an approved earth ground (Figure 7). Local electrical codes may also require proper grounding of the unit. For that purpose, connecting a No. 10 AWG (American Wire Gauge) stranded copper wire to the grounding lug and to an earth-driven copper or brass grounding rod (electrode) provides adequate protection against electrical shock. However, local codes may vary widely. Consult with a local electrician for grounding requirements in the area.

Figure 7 - Grounding the Generator



Proper grounding of the generator will help prevent electrical shock in the event of a ground fault condition in the generator or in connected electrical devices. Proper grounding also helps dissipate static electricity, which often builds up in ungrounded devices.

2.4.2 CONNECTING ELECTRICAL LOADS

DO NOT connect 240 Volt loads to 120 Volt receptacles. **DO NOT** connect 3-phase loads to the generator. **DO NOT** connect 50 Hz loads to the generator.

- Let engine stabilize and warm up for a few minutes after starting.
- Plug in and turn on the desired 120 or 240 Volt AC, single phase, 60 Hz electrical loads.
- Add up the rated watts (or amps) of all loads to be connected at one time. This total should not be greater than (a) the rated wattage/ampere capacity of the generator or (b) circuit breaker rating of the receptacle supplying the power. See "Don't Overload the Generator".

2.5 DON'T OVERLOAD THE GENERATOR

Overloading a generator in excess of its rated wattage capacity can result in damage to the generator and to connected electrical devices. Observe the following to prevent overloading the unit:

- Add up the total wattage of all electrical devices to be connected at one time. This total should NOT be greater than the generator's wattage capacity.
- The rated wattage of lights can be taken from light bulbs. The rated wattage of tools, appliances and motors can usually be found on a data label or decal affixed to the device.
- If the appliance, tool or motor does not give wattage, multiply volts times ampere rating to determine watts (volts x amps = watts).
- Some electric motors, such as induction types, require about three times more watts of power for starting than for running. This surge of power lasts only a few seconds when starting such motors. Make sure to allow for high starting wattage when selecting electrical devices to connect to the generator:
 1. Figure the watts needed to start the largest motor.
 2. Add to that figure the running watts of all other connected loads.

The Wattage Reference Guide is provided to assist in determining how many items the generator can operate at one time.

NOTE:

All figures are approximate. See data label on appliance for wattage requirements.

2.6 WATTAGE REFERENCE GUIDE

Device	Running Watts
*Air Conditioner (12,000 Btu)	1700
*Air Conditioner (24,000 Btu)	3800
*Air Conditioner (40,000 Btu)	6000
Battery Charger (20 Amp)	500
Belt Sander (3")	1000
Chain Saw	1200
Circular Saw (6-1/2")	.800 to 1000
*Clothes Dryer (Electric)	5750
*Clothes Dryer (Gas)	700
*Clothes Washer	1150
Coffee Maker	1750
*Compressor (1 HP)	2000
*Compressor (3/4 HP)	1800
*Compressor (1/2 HP)	1400
Curling Iron	700
*Dehumidifier	650
Disc Sander (9")	1200
Edge Trimmer	500
Electric Blanket	400
Electric Nail Gun	1200
Electric Range (per element)	1500
Electric Skillet	1250
*Freezer	700
*Furnace Fan (3/5 HP)	875
*Garage Door Opener	.500 to 750
Hair Dryer	1200

Hand Drill	.250 to 1100
Hedge Trimmer	450
Impact Wrench	500
Iron	1200
*Jet Pump	800
Lawn Mower	1200
Light Bulb	100
Microwave Oven	.700 to 1000
*Milk Cooler	1100
Oil Burner on Furnace	300
Oil Fired Space Heater (140,000 Btu)	400
Oil Fired Space Heater (85,000 Btu)	225
Oil Fired Space Heater (30,000 Btu)	150
*Paint Sprayer, Airless (1/3 HP)	600
Paint Sprayer, Airless (handheld)	150
Radio	.50 to 200
*Refrigerator	700
Slow Cooker	200
*Submersible Pump (1-1/2 HP)	2800
*Submersible Pump (1 HP)	2000
*Submersible Pump (1/2 HP)	1500
*Sump Pump	.800 to 1050
*Table Saw (10")	1750 to 2000
Television	.200 to 500
Toaster	1000 to 1650
Weed Trimmer	500

* Allow 3 times the listed watts for starting these devices.

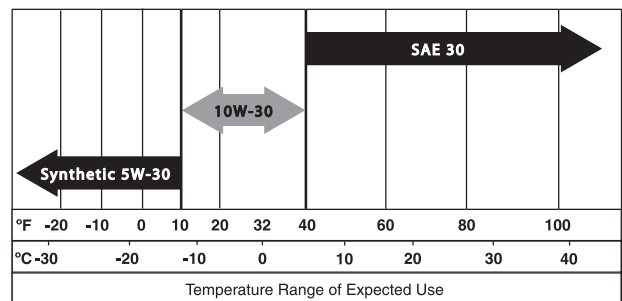
2.7 BEFORE STARTING THE GENERATOR

Prior to operating the generator, engine oil and gasoline will need to be added, as follows:

2.7.1 ADDING ENGINE OIL

All oil should meet minimum American Petroleum Institute (API) Service Class SJ, SL or better. Use no special additives. Select the oil's viscosity grade according to the expected operating temperature (also see chart).

- Above 40° F, use SAE 30
- Below 40° F and down to 10° F, use 10W-30
- Below 10° F, use synthetic 5W-30



⚠ CAUTION!

⚠ **Any attempt to crank or start the engine before it has been properly serviced with the recommended oil may result in an engine failure.**

- Place generator on a level surface.
- Clean area around oil fill and remove oil fill cap and dipstick.
- Wipe dipstick clean.
- Slowly fill engine with oil through the oil fill opening until it reaches the full mark. Stop filling occasionally to check oil level. **Be careful not to over fill.**
- Install oil fill cap and finger tighten securely.
- Check engine oil level before starting each time thereafter.

2.7.2 ADDING GASOLINE

⚠ DANGER!

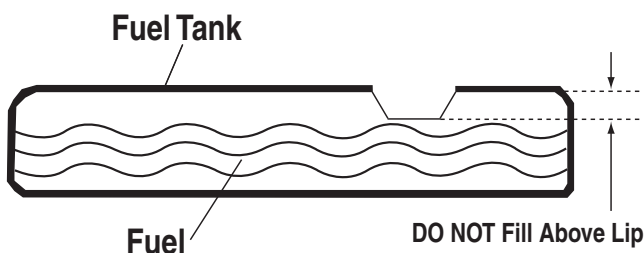
⚠ **Never fill fuel tank indoors. Never fill fuel tank when engine is running or hot. Avoid spilling gasoline on a hot engine. Allow engine to cool entirely before filling fuel tank. DO NOT light a cigarette or smoke when filling the fuel tank.**

⚠ **Do not overfill the fuel tank. Always leave room for fuel expansion. If the fuel tank is overfilled, fuel can overflow onto a hot engine and cause FIRE or EXPLOSION. Wipe up any spilled fuel immediately.**

⚠ **Do not light a cigarette or smoke when filling the fuel tank. Gasoline is highly FLAMMABLE and its vapors are EXPLOSIVE.**

- Use regular UNLEADED gasoline with the generator engine. Do not use any gasoline with more than 10% added ethanol. Do not use E85 gasoline. Do not mix oil with gasoline.
- Clean area around fuel fill cap, remove cap.
- Slowly add unleaded regular gasoline to fuel tank. Fill to bottom of screen filter. **Be careful not to overfill** (Figure 8).
- Install fuel cap and wipe up any spilled gasoline.

Figure 8 - Fuel Tank



IMPORTANT: It is important to prevent gum deposits from forming in fuel system parts such as the carburetor, fuel hose or tank during storage. Alcohol-blended fuels (called gasohol, ethanol or methanol) can attract moisture, which leads to separation and formation of acids during storage. Acidic gas can damage the fuel system of an engine while in storage. To avoid engine problems, the fuel system should be emptied before storage of 30 days or longer. See the "Storage" section. Never use engine or carburetor cleaner products in the fuel tank as permanent damage may occur.

2.8 STARTING PULL START ENGINES

⚠ WARNING!

⚠ **Never start or stop engine with electrical devices plugged into the receptacles AND devices turned on.**

- Unplug all electrical loads from the unit's receptacles before starting the engine.
- Make sure the unit is in a level position.
- OPEN the Fuel Shut-off Valve (Figure 9).
- Turn engine RUN/STOP switch to ON position.
- Slide engine choke to the LEFT to FULL CHOKE position (Figure 10).
- To start engine, firmly grasp the recoil handle and pull slowly until increased resistance is felt. Pull rapidly up and away.
- When engine starts, move choke knob to 1/2-CHOKE position until engine runs smoothly and then fully into RUN position. If engine falters, move choke back out to 1/2-CHOKE position until engine runs smoothly and then to RUN position.

NOTE:

If engine fires, but does not continue to run, move choke lever to FULL CHOKE and repeat starting instructions.

Figure 9 - Fuel Shut-off Valve

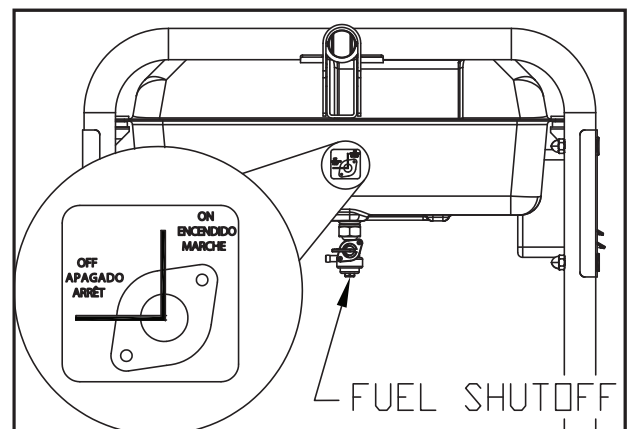
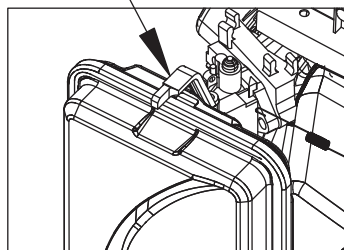


Figure 10 - Choke Position

CHOKE LEVER
LEFT = CHOKE
RIGHT = RUN



IMPORTANT: Do not overload the generator. Also, do not overload individual panel receptacles. These outlets are protected against overload with push-to-reset-type circuit breakers. If amperage rating of any circuit breaker is exceeded, that breaker opens and electrical output to that receptacle is lost. Read “Don’t Overload the Generator” carefully.

2.9 STARTING ELECTRIC START ENGINES

⚠ WARNING!

⚠ Never start or stop engine with electrical devices plugged into the receptacles AND devices turned on.

- Unplug all electrical loads from the unit's receptacles before starting the engine.
- Make sure the unit is in a level position.
- Open the fuel shut-off valve (Figure 9).
- Move engine CHOKE knob outward to FULL CHOKE position (Figure 10).
- To start engine, press and hold the Start/Run/Stop switch in the “Start” position. The engine will crank and attempt to start. When the engine starts, release the switch to the run position.
- When the engine starts, move choke knob to “1/2 Choke” position until the engine runs smoothly and then fully in to the “Run” position. If engine falters, move choke knob back out to “1/2 Choke” position until the engine runs smoothly and then to “Run” position.
- This generator is also equipped with a manual recoil starter which may be used if the battery is discharged.

NOTE:

The switch must be in the RUN position.

- To start manually, firmly grasp the recoil handle and pull slowly until increased resistance is felt. Pull rapidly up and away to start engine. Then follow the same choke sequence.

NOTE:

If engine fires, but does not continue to run, move choke lever to FULL CHOKE and repeat starting instructions.

IMPORTANT: Do not overload the generator. Also, do not overload individual panel receptacles. These outlets are protected against overload with push-to-reset-type circuit breakers. If amperage rating of any circuit breaker is exceeded, that breaker opens and electrical output to that receptacle is lost. Read “Don’t Overload the Generator” carefully.

2.10 STOPPING THE ENGINE

- Shut off all loads, then unplug the electrical loads from generator panel receptacles. Never start or stop the engine with electrical devices plugged in and turned on.
- Let engine run at no-load for several minutes to stabilize the internal temperatures of engine and generator.
- Move Run/Stop switch to OFF position.
- Close fuel valve.

2.11 LOW OIL LEVEL SHUTDOWN SYSTEM

The engine is equipped with a low oil level sensor that shuts down the engine automatically when the oil level drops below a specified level. If the engine shuts down by itself and the fuel tank has enough gasoline, check engine oil level.

2.11.1 SENSING LOW OIL LEVEL

If the system senses a low oil level during operation, the engine shuts down. The engine will not run until the oil has been refilled to the proper level.

3.1 MAINTENANCE SCHEDULE

Follow the calendar intervals. More frequent service is required when operating in adverse conditions noted below.

Check Oil Level	At Each Use
Change Oil ‡	*Every 100 hours or Every Season
Check Valve Clearance	***Every Season
Service Air Filter	** Every 200 hours or Every Season
Replace Spark Plug	Every Season

‡ Change oil after first 30 hours of operation then every season.

* Change oil and oil filter every month when operating under heavy load or in high temperatures.

** Clean more often under dirty or dusty operating conditions. Replace air filter parts if they cannot be adequately cleaned.

*** Check valve clearance and adjust if necessary after first 50 hours of operation and every 100 hours thereafter.

3.2 PRODUCT SPECIFICATIONS

3.2.1 GENERATOR SPECIFICATIONS

Rated Power	5.0/5.5/6.5 kW**
Surge Power	6.25/6.88/8.0 kW
Rated AC Voltage	120/240
Rated AC Load	
Current @ 240V (5.0/5.5/6.5 kW)	20.8/22.9/27.1 Amps**
Current @ 120V (5.0/5.5/6.5 kW)	41.6/45.8/54.2 Amps**
Rated Frequency	60 Hz @ 3600 RPM
Phase	Single Phase

** Maximum wattage and current are subject to, and limited by, such factors as fuel Btu content, ambient temperature, altitude, engine condition, etc.. Maximum power decreases about 3.5% for each 1,000 feet above sea level; and will also decrease about 1% for each 6° C (10° F) above 16° C (60° F) ambient temperature.

3.2.2 ENGINE SPECIFICATIONS

Displacement	389 cc
Spark Plug Type	NHSP LDF7TC or Champion N9YC
Spark Plug Gap	0.028-0.031 inch or (0.70-0.80 mm)
Gasoline Capacity	7.2 U.S. gallons
Oil Type.....	See Chart in "Before Starting the Generator" Section
Oil Capacity	1 L (1.06 Qts.)
Run Time at 50% Load (5.0/5.5/6.5 kW)	10 Hours

3.2.3 EMISSIONS INFORMATION

The Environmental Protection Agency (EPA) requires that this generator comply with exhaust emission standards. The engine used in this generator is certified to meet the applicable EPA emission levels. It is important to follow the maintenance specifications provided in this manual to ensure that the engine complies with the applicable emission standards for the duration of the engine's life. The emission control system on this generator consists of the following:

- Air Induction system
 - ~ Intake Pipe/Manifold
 - ~ Air Cleaner
- Exhaust System
 - ~ Exhaust manifold
 - ~ Muffler
- Ignition System
 - ~ Spark Plug
 - ~ Ignition Coil
- Fuel System
 - ~ Carburetor

The Emissions Compliance Period referred to on the Emissions Compliance Label indicates the number of operating hours for which the engine has been shown to meet EPA emission requirements.

3.3 GENERAL RECOMMENDATIONS

The warranty of the generator does not cover items that have been subjected to operator abuse or negligence. To receive full value from the warranty, the operator must maintain the generator as instructed in this manual.

Some adjustments will need to be made periodically to properly maintain the generator.

All adjustments in the Maintenance section of this manual should be made at least once each season. Follow the requirements in the "Maintenance Schedule".

NOTE:

Once a year replace the spark plug and replace the air filter. A new spark plug and clean air filter assure proper fuel-air mixture and help the engine run better and last longer.

3.3.1 GENERATOR MAINTENANCE

Generator maintenance consists of keeping the unit clean and dry. Operate and store the unit in a clean dry environment where it will not be exposed to excessive dust, dirt, moisture or any corrosive vapors. Cooling air slots in the generator must not become clogged with snow, leaves, or any other foreign material.

Check the cleanliness of the generator frequently and clean when dust, dirt, oil, moisture or other foreign substances are visible on its exterior surface.

▲ CAUTION!

 **Never insert any object or tool through the air cooling slots, even if the engine is not running.**

NOTE:

DO NOT use a garden hose to clean generator. Water can enter the engine fuel system and cause problems. In addition, if water enters the generator through cooling air slots, some water will be retained in voids and crevices of the rotor and stator winding insulation. Water and dirt buildup on the generator internal windings will eventually decrease the insulation resistance of these windings.

3.3.2 TO CLEAN THE GENERATOR

- Use a damp cloth to wipe exterior surfaces clean.
- A soft, bristle brush may be used to loosen caked on dirt, oil, etc.
- A vacuum cleaner may be used to pick up loose dirt and debris.
- Low pressure air (not to exceed 25 psi) may be used to blow away dirt. Inspect cooling air slots and openings on the generator. These openings must be kept clean and unobstructed.

3.3.3 ENGINE MAINTENANCE

▲ DANGER!

 **When working on the generator, always disconnect spark plug wire from spark plug and keep wire away from spark plug.**

3.3.4 CHECKING OIL LEVEL

See the "Before Starting the Generator" section for information on checking the oil level. The oil level should be checked before each use, or at least every eight hours of operation. Keep the oil level maintained.

3.3.5 CHANGING THE OIL

Change the oil after every 100 hours. If running this unit under dirty or dusty conditions, or in extremely hot weather, change the oil more often.

▲ CAUTION!

! Hot oil may cause burns. Allow engine to cool before draining oil. Avoid prolonged or repeated skin exposure with used oil. Thoroughly wash exposed areas with soap.

Use the following instructions to change the oil after the engine cools down:

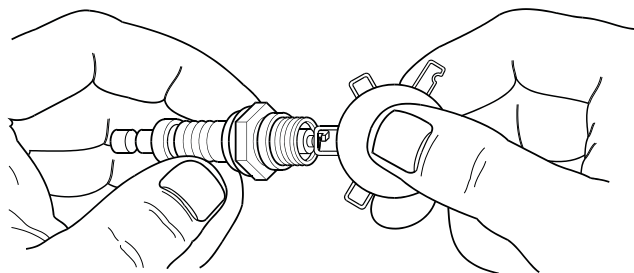
- Clean area around oil drain plug.
- Remove oil drain plug from engine and oil fill plug to drain oil completely into a suitable container.
- When oil has completely drained, install oil drain plug and tighten securely.
- Fill engine with recommended oil. (See "Before Starting the Generator" for oil recommendations).
- Wipe up any spilled oil.
- Dispose of used oil at a proper collection center.

3.3.6 REPLACING THE SPARK PLUG

Use Champion N9YC spark plug or equivalent. **Replace the plug once each year.** This will help the engine start easier and run better.

1. Stop the engine and pull the spark plug wire off of the spark plug.
2. Clean the area around the spark plug and remove it from the cylinder head.
3. Set the spark plug's gap to 0.70-0.80 mm (0.028-0.031 in.). Install the correctly gapped spark plug into the cylinder head (Figure 11).

Figure 11 - Spark Plug Gap



3.4 SERVICE AIR FILTER

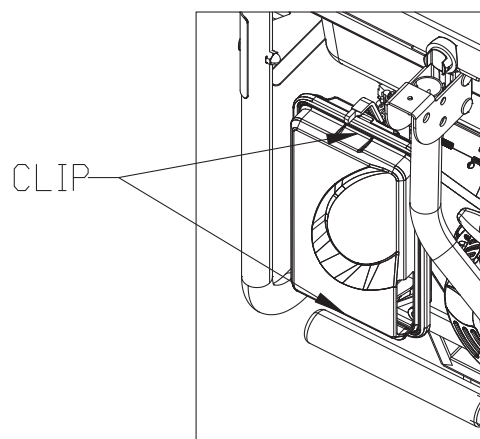
The engine will not run properly and may be damaged if using a dirty air filter. Clean the air filter every 200 hours or once a year (Figure 12). Clean or replace more often if operating under dusty conditions.

- Remove air filter cover.
- Wash in soapy water. Squeeze filter dry in clean cloth (DO NOT TWIST).
- Clean air filter cover before re-installing it.

NOTE:

To order a new air filter, please contact the nearest authorized service center at 1-888-436-3722.

Figure 12 - Air Filter



3.5 VALVE CLEARANCE

- Intake — 0.15 ± 0.02 mm (cold), (0.006" \pm 0.0008" inches)
- Exhaust — 0.0020 ± 0.02 mm (cold) (0.008" \pm 0.0008" inches)


After the first 50 hours of operation, check the valve clearance in the engine and adjust if necessary.

Important: If feeling uncomfortable about doing this procedure or the proper tools are not available, please take the generator to the nearest service center to have the valve clearance adjusted. This is a very important step to ensure longest life for the engine.

3.6 GENERAL

The generator should be started at least once every seven days and be allowed to run at least 30 minutes. If this cannot be done and the unit must be stored for more than 30 days, use the following information as a guide to prepare it for storage.

DANGER!

 **NEVER store engine with fuel in tank indoors or in enclosed, poorly ventilated areas where fumes may reach an open flame, spark or pilot light as on a furnace, water heater, clothes dryer or other gas appliance.**

 **Allow unit to cool entirely before storage.**

3.7 LONG TERM STORAGE

It is important to prevent gum deposits from forming in essential fuel system parts such as the carburetor, fuel hose or tank during storage. Also, experience indicates that alcohol-blended fuels (called gasohol, ethanol or methanol) can attract moisture, which leads to separation and formation of acids during storage. Acidic gas can damage the fuel system of an engine while in storage.

To avoid engine problems, the fuel system should be emptied before storage of 30 days or longer, as follows:

- Remove all gasoline from the fuel tank.


DANGER!

 **Drain fuel into approved container outdoors, away from open flame. Be sure engine is cool. Do not smoke.**

- Start and run engine until engine stops from lack of fuel.
- While engine is still warm, drain oil from crankcase. Refill with recommended grade.

- Remove spark plug and pour about 1/2 ounce (15 ml) of engine oil into the cylinders. Cover spark plug hole with rag. Pull the recoil starter a couple times to lubricate the piston rings and cylinder bore.

CAUTION!

 **Avoid spray from spark plug hole when cranking engine.**

- Install and tighten spark plug. Do not connect spark plug wire.
- Clean the generator outer surfaces. Check that cooling air slots and openings on generator are open and unobstructed.
- Store the unit in a clean, dry place.

3.8 OTHER STORAGE TIPS

- Do not store gasoline from one season to another.
- Replace the gasoline can if it starts to rust. Rust and/or dirt in the gasoline will cause problems with the carburetor and fuel system.
- If possible, store the unit indoors and cover it to give protection from dust and dirt. **BE SURE TO EMPTY THE FUEL TANK.**
- If it is not practical to empty the fuel tank and the unit is to be stored for some time, use a commercially available fuel stabilizer added to the gasoline to increase the life of the gasoline.
- Cover the unit with a suitable protective cover that does not retain moisture.

DANGER!

 **NEVER cover the generator while engine and exhaust area are warm.**

4.1 TROUBLESHOOTING GUIDE

PROBLEM	CAUSE	CORRECTION
Engine is running, but no AC output is available.	<ol style="list-style-type: none"> 1. Circuit breaker is open. 2. Poor connection or defective cord set. 3. Connected device is bad. 4. Fault in generator. 	<ol style="list-style-type: none"> 1. Reset circuit breaker. 2. Check and repair. 3. Connect another device that is in good condition. 4. Contact Authorized Service Facility.
Engine runs good but bogs down when loads are connected.	<ol style="list-style-type: none"> 1. Short circuit in a connected load. 2. Generator is overloaded. 3. Engine speed is too slow. 4. Shorted generator circuit. 	<ol style="list-style-type: none"> 1. Disconnect shorted electrical load. 2. See "Don't Overload the Generator" . 3. Contact Authorized Service Facility. 4. Contact Authorized Service Facility.
Engine will not start; or starts and runs rough.	<ol style="list-style-type: none"> 1. Fuel Shut-off is OFF. 2. Dirty air filter. 3. Out of gasoline. 4. Stale gasoline. 5. Spark plug wire not connected to spark plug. 6. Bad spark plug. 7. Water in gasoline. 8. Overchoking. 9. Low oil level. 10. Excessive rich fuel mixture. 11. Intake valve stuck open or closed. 12. Engine has lost compression. 	<ol style="list-style-type: none"> 1. Turn Fuel Shut-off ON. 2. Clean or replace air filter. 3. Fill fuel tank. 4. Drain fuel tank and fill with fresh fuel. 5. Connect wire to spark plug. 6. Replace spark plug. 7. Drain fuel tank; fill with fresh fuel. 8. Put choke knob to No Choke position. 9. Fill crankcase to proper level. 10. Contact Authorized Service Facility. 11. Contact Authorized Service Facility. 12. Contact Authorized Service Facility.
Engine shuts down during operation.	<ol style="list-style-type: none"> 1. Out of gasoline. 2. Low oil level. 3. Fault in engine. 	<ol style="list-style-type: none"> 1. Fill fuel tank. 2. Fill crankcase to proper level. 3. Contact Authorized Service Facility.
Engine lacks power.	<ol style="list-style-type: none"> 1. Load is too high. 2. Dirty air filter. 3. Engine needs to be serviced. 	<ol style="list-style-type: none"> 1. Reduce load (see "Don't Overload the Generator"). 2. Clean or replace air filter. 3. Contact Authorized Service Facility.
Engine "hunts" or falters.	<ol style="list-style-type: none"> 1. Choke is opened too soon. 2. Carburetor is running too rich or too lean. 	<ol style="list-style-type: none"> 1. Move choke to halfway position until engine runs smoothly. 2. Contact Authorized Service Facility.

FEDERAL EMISSION CONTROL WARRANTY STATEMENT YOUR WARRANTY RIGHTS AND OBLIGATIONS

The United States Environmental Protection Agency (EPA) and Generac Power Systems, Inc. (Generac) are pleased to explain the Emission Control System warranty on your new 2008 and later equipment. New equipment that use small spark-ignited engines must be designed, built, and equipped to meet stringent anti-smog standards for the federal government. Generac will warrant the emission control system on your generator for the period of time listed below provided there has been no abuse, neglect, unapproved modification or improper maintenance of your equipment.

Your emission control system may include parts such as the: carburetor, ignition system, fuel system, catalytic converter, and other associated emission-related components (if equipped).

MANUFACTURER'S WARRANTY COVERAGE:

This emission control system is warranted for two years. If, during such warranty period, any emission-related part on your equipment is found to be defective in materials or workmanship, repairs or replacement will be performed by a Generac Authorized Warranty Service Dealer.

OWNER'S WARRANTY RESPONSIBILITIES:

As the generator owner, you are responsible for the completion of all required maintenance as listed in your factory supplied Owner's Manual. For warranty purposes, Generac recommends that you retain all receipts covering maintenance on your generator, but Generac cannot deny warranty solely due to the lack of receipts.

As the generator owner, you should be aware that Generac may deny any and/or all warranty coverage or responsibility if your generator, or a part/component thereof, has failed due to abuse, neglect, improper maintenance or unapproved modifications, or the use of counterfeit and/or "grey market" parts not made, supplied or approved by Generac.

You are responsible for contacting a Generac Authorized Warranty Dealer as soon as a problem occurs. The warranty repairs should be completed in a reasonable amount of time, not to exceed 30 days.

Warranty service can be arranged by contacting either your selling dealer or a Generac Authorized Warranty Service Dealer. To locate the Generac Authorized Warranty Service Dealer nearest you, call our toll free number:

1-800-333-1322

IMPORTANT NOTE: This warranty statement explains your rights and obligations under the Emission Control System Warranty (ECS Warranty), which is provided to you by Generac pursuant to federal law. See also the "Generac Limited Warranties for Generac Power Systems, Inc.," which is enclosed herewith on a separate sheet, also provided to you by Generac. Note that this warranty shall not apply to any incidental, consequential or indirect damages caused by defects in materials or workmanship or any delay in repair or replacement of the defective part(s). This warranty is in place of all other warranties, expressed or implied. Specifically, Generac makes no other warranties as to the merchantability or fitness for a particular purpose. Some states do not allow limitations on how long an implied warranty lasts, so the above limitation may not apply to you.

The ECS Warranty applies only to the emission control system of your new equipment. If there is any conflict in terms between the ECS Warranty and the Generac Warranty, the Generac Warranty shall apply. Both the ECS Warranty and the Generac Warranty describe important rights and obligations with respect to your new engine.

Warranty service can be performed only by a Generac Authorized Warranty Service Facility. When requesting warranty service, evidence must be presented showing the date of the sale to the original purchaser/owner.

If you have any questions regarding your warranty rights and responsibilities, you should contact Generac at the following address:

**ATTENTION WARRANTY DEPARTMENT
GENERAC POWER SYSTEMS, INC.
P.O. BOX 297 • WHITEWATER, WI 53190**

Part 1

EMISSION CONTROL SYSTEM WARRANTY

Emission Control System Warranty (ECS warranty) for equipment using small spark-ignited engines:

- (a) **Applicability:** This warranty shall apply to equipment that uses small off-road engines. The ECS Warranty period shall begin on the date the new equipment is purchased by/delivered to its original, end-use purchaser/owner and shall continue for 24 consecutive months thereafter.
- (b) **General Emissions Warranty Coverage:** Generac warrants to the original, end-use purchaser/owner of the new engine or equipment and to each subsequent purchaser/owner that the ECS when installed was:
 - (1) Designed, built and equipped so as to conform with all applicable regulations; and
 - (2) Free from defects in materials and workmanship which cause the failure of a warranted part at any time during the ECS Warranty Period.
- (c) The warranty on emissions-related parts will be interpreted as follows:
 - (1) Any warranted part that is not scheduled for replacement as required maintenance in the Owner's Manual shall be warranted for the ECS Warranty Period. If any such part fails during the ECS Warranty Period, it shall be repaired or replaced by Generac according to Subsection (4) below. Any such part repaired or replaced under the ECS Warranty shall be warranted for the remainder of the ECS Warranty Period.
 - (2) Any warranted part that is scheduled only for regular inspection as specified in the Owner's Manual shall be warranted for the ECS Warranty Period. A statement in the Owner's Manual to the effect of "repair or replace as necessary" shall not reduce the ECS Warranty Period. Any such part repaired or replaced under the ECS Warranty shall be warranted for the remainder of the ECS Warranty Period.
 - (3) Any warranted part that is scheduled for replacement as required maintenance in the Owner's Manual shall be warranted for the period of time prior to first scheduled replacement point for that part. If the part fails prior to the first scheduled replacement, the part shall be repaired or replaced by Generac according to Subsection (4) below. Any such emissions-related part repaired or replaced under the ECS warranty shall be warranted for the remainder of the period prior to the first scheduled replacement point for that part.
 - (4) Repair or replacement of any warranted, emissions-related part under this ECS Warranty shall be performed at no charge to the owner at a Generac Authorized Warranty Service Facility.
 - (5) Notwithstanding the provisions of subsection (4) above, warranty services or repairs must be provided at Generac Authorized Service Facilities.
 - (6) When the engine is inspected by a Generac Authorized Warranty Service Facility, the purchaser/owner shall not be held responsible for diagnostic costs if the repair is deemed warrantable.
 - (7) Throughout the ECS Warranty Period, Generac shall maintain a supply of warranted emission-related parts sufficient to meet the expected demand for such parts.
 - (8) Any Generac authorized and approved emission-related replacement parts may be used in the performance of any ECS warranty maintenance or repairs and will be provided without charge to the purchaser/owner. Such use shall not reduce Generac ECS Warranty obligations.
 - (9) Unapproved, add-on, modified, counterfeit and/or "grey market" parts may not be used to modify or repair a Generac engine. Such use voids this ECS Warranty and shall be sufficient grounds for disallowing an ECS Warranty claim. Generac shall not be held liable hereunder for failures of any warranted parts of Generac equipment caused by the use of such an unapproved, add-on, modified, counterfeit and/or "grey market" part.

EMISSION RELATED PARTS MAY INCLUDE THE FOLLOWING (IF EQUIPPED):

- | | |
|--------------------------------------------------------------------------------------------------------------------------------------------------------------------------------------------------------------------------------------------------------------------------------------------------------------------------------------------------------------------------------------------------------------------------------------------------------------------------------------------|------------------------------------------------------------------------------------------------------------------------------------------------------------------------------------------------------------------------------------------------------------------------------------------------------------------------|
| <ul style="list-style-type: none"> 1) FUEL METERING SYSTEM <ul style="list-style-type: none"> A. CARBURETOR AND INTERNAL PARTS B. PRESSURE REGULATOR 2) AIR INDUCTION SYSTEM <ul style="list-style-type: none"> A. INTAKE MANIFOLD B. AIR FILTER 3) IGNITION SYSTEM <ul style="list-style-type: none"> A. SPARK PLUGS B. IGNITION COILS / MODULE | <ul style="list-style-type: none"> 4) AIR INJECTION SYSTEM <ul style="list-style-type: none"> A. PULSE AIR VALVE 5) EXHAUST SYSTEM <ul style="list-style-type: none"> A. CATALYST B. THERMAL REACTOR C. EXHAUST MANIFOLD |
|--------------------------------------------------------------------------------------------------------------------------------------------------------------------------------------------------------------------------------------------------------------------------------------------------------------------------------------------------------------------------------------------------------------------------------------------------------------------------------------------|------------------------------------------------------------------------------------------------------------------------------------------------------------------------------------------------------------------------------------------------------------------------------------------------------------------------|

Part 2

Warranty

GENERAC POWER SYSTEMS "TWO YEAR" LIMITED WARRANTY FOR GP SERIES PORTABLE GENERATORS

For a period of two years from the date of original sale, Generac Power Systems, Inc. (Generac) warrants its GP Series generators will be free from defects in materials and workmanship for the items and period set forth below. Generac will, at its option, repair or replace any part which, upon examination, inspection and testing by Generac or a Generac Authorized Warranty Service Dealer, is found to be defective. Any equipment that the purchaser/owner claims to be defective must be returned to and examined by the nearest Generac Authorized Warranty Service Dealer. All transportation costs under the warranty, including return to the factory, are to be borne and prepaid by the purchaser/owner. This warranty applies only to Generac GP Series portable generators and is not transferable from original purchaser. Save your proof-of-purchase receipt. If you do not provide proof of the initial purchase date, the manufacturer's shipping date of the product will be used to determine the warranty period.

WARRANTY SCHEDULE

Consumer applications are warranted for two (2) years. Commercial and Rental applications are warranted for one (1) year or 1000 hours maximum, whichever comes first.

CONSUMER APPLICATION

YEAR ONE - 100% (one hundred percent) coverage on Labor and Part(s) (proof of purchase and maintenance is required):

- All Components

YEAR TWO- 100% (one hundred percent) coverage on Part(s) (proof of purchase and maintenance is required):

- All Components

COMMERCIAL/RENTAL APPLICATION

YEAR ONE – 100% (one hundred percent) (or 1,000 hours, whichever occurs first) coverage on Labor and Part(s) (proof of purchase and maintenance is required):

- All Components

INTERNATIONAL

YEAR ONE (or 1000 hours, whichever occurs first) – Limited comprehensive coverage on labor and parts listed.

- All COMPONENTS

NOTE: For the purpose of this warranty "consumer use" means personal residential household or recreational use by original purchaser. This warranty does not apply to units used for Prime Power in place of utility where utility power service is present or where utility power service does not normally exist. Once a generator has experienced commercial or rental use, it shall thereafter be considered a non-consumer use generator for the purpose of this warranty.

All warranty expense allowances are subject to the conditions defined in the Generac Service Policy Manual.

THIS WARRANTY SHALL NOT APPLY TO THE FOLLOWING:

- Generac built portable generators built prior to June 2010.
- Generac portable generators that utilize non-Generac replacement parts.
- Costs of normal maintenance and adjustments.
- Failures caused by any contaminated fuels, oils or lack of proper oil levels.
- Repairs or diagnostics performed by individuals other than Generac authorized dealers not authorized in writing by Generac Power Systems.
- Failures due, but not limited, to normal wear and tear, accident, misuse, abuse, negligence or improper use. As with all mechanical devices, the Generac engines need periodic part(s) service and replacement to perform as designed. This warranty will not cover repair when normal use has exhausted the life of a part(s) or engine.
- Failures caused by any external cause or act of God, such as collision, theft, vandalism, riot or wars, nuclear holocaust, fire, freezing, lightning, earth-quake, windstorm, hail, volcanic eruption, water or flood, tornado or hurricane.
- Damage related to rodent and/or insect infestation.
- Products that are modified or altered in a manner not authorized by Generac in writing.
- Any incidental, consequential or indirect damages caused by defects in materials or workmanship, or any delay in repair or replacement of the defective part(s).
- Failure due to misapplication.
- Telephone, cellular phone, facsimile, internet access or other communication expenses.
- Expenses related to "customer instruction" or troubleshooting where no manufacturing defect is found.
- Rental equipment used while warranty repairs are being performed.
- Overnight freight or special shipping costs for replacement part(s).
- Overtime, holiday or emergency labor.
- Starting batteries, fuses, light bulbs and engine fluids.

THIS WARRANTY IS IN PLACE OF ALL OTHER WARRANTIES, EXPRESSED OR IMPLIED. SPECIFICALLY, GENERAC MAKES NO OTHER WARRANTIES AS TO THE MERCHANTABILITY OR FITNESS FOR A PARTICULAR PURPOSE. Any implied warranties allowed by law shall be limited in duration to the terms of the express warranty provided herein. Some states do not allow limitations on how long an implied warranty lasts, so the above limitation may not apply to you. GENERAC'S ONLY LIABILITY SHALL BE THE REPAIR OR REPLACEMENT OF PART(S) AS STATED ABOVE. IN NO EVENT SHALL GENERAC BE LIABLE FOR ANY INCIDENTAL OR CONSEQUENTIAL DAMAGES, EVEN IF SUCH DAMAGES ARE A DIRECT RESULT OF GENERAC'S NEGLIGENCE. Some states do not allow the exclusion or limitation of incidental or consequential damages, so the above limitation may not apply to you. This warranty gives you specific legal rights. You also have other rights from state to state.

GENERAC POWER SYSTEMS, INC.

P.O. BOX 8 • Waukesha, WI 53187

Ph: (888) GENERAC (436-3722) • Fax: (262) 544-4851

To locate the nearest Authorized Dealer visit our website www.generac.com

Part No. 0H8902

Revision A (05/19/10)

MODELOS: 005938-0, 005939-0,
005940-0, 005941-0

Manual del propietario Generadores portátiles serie GP

GARANTÍA
LIMITADA
3 AÑOS

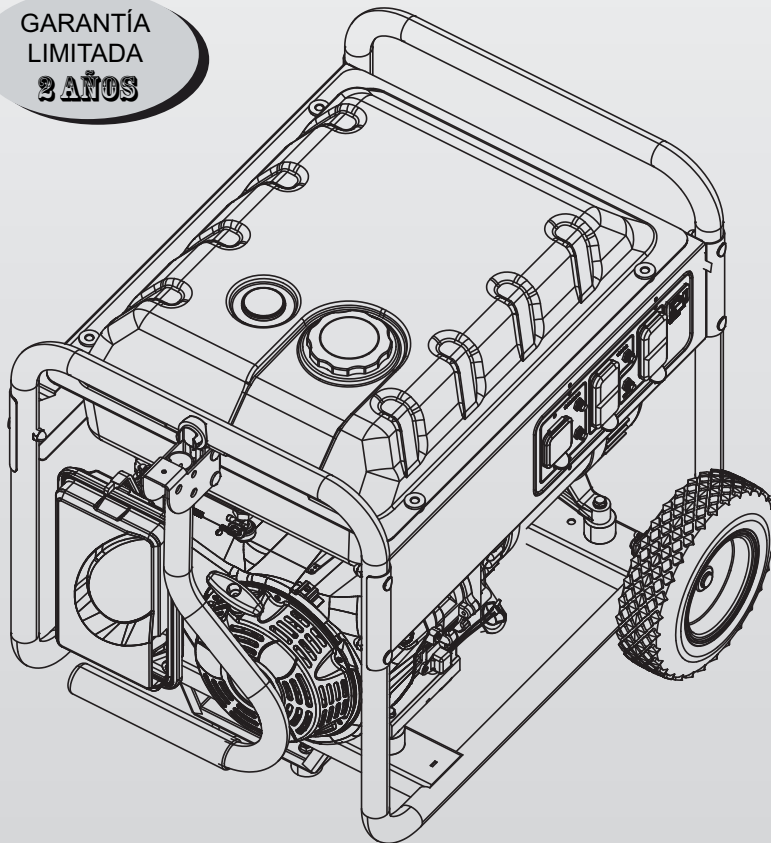


Tabla de contenidos

Introducción.....	21	Mantenimiento.....	29
Lea este manual completamente.....	21	3.1 Programa de mantenimiento.....	29
Reglas de seguridad.....	21	3.2 Especificaciones del producto.....	30
Índice de estándares.....	23	3.2.1 Especificaciones del generador.....	30
Información general.....	24	3.2.2 Especificaciones del motor.....	30
1.1 Desempaque.....	24	3.2.3 Información de emisiones.....	30
1.1.1 Caja de accesorios.....	24	3.3 Recomendaciones generales.....	30
1.2 Ensamble.....	24	3.3.1 Mantenimiento del generador.....	30
1.2.1 Ensamblando el kit de accesorios.....	24	3.3.2 Para limpiar el generador.....	30
1.2.2 Conexión del arrancador (arranque eléctrico solamente).....	24	3.3.3 Mantenimiento del motor.....	30
Operación.....	24	3.3.4 Revisar el nivel de aceite.....	31
2.1 Conozca el generador.....	24	3.3.5 Cambio de aceite.....	31
2.2 Medidor de horas.....	25	3.3.6 Reemplazo de la bujía.....	31
2.3 Juego de cables y conectores.....	26	3.4 Servicio del filtro de aire.....	31
2.3.1 120 VAC, 20 Amp, Receptáculo dúplex.....	26	3.5 Claridad de la válvula.....	31
2.3.2 Receptáculo de 120/240 VAC, 30 Amp.....	26	3.6 General.....	32
2.4 Cómo usar el generador.....	26	3.7 Almacenamiento a largo plazo.....	32
2.4.1 Conexión a tierra del generador.....	26	3.8 Otros consejos para almacenamiento.....	32
2.4.2 Conexión de las cargas eléctricas.....	26	Detección de fallas.....	33
2.5 No sobrecargue el generador.....	27	4.1 Guía de detección de problemas.....	33
2.6 Guía de referencia de potencias.....	27	Garantía.....	34
2.7 Antes de arrancar el generador.....	27		
2.7.1 Agregar aceite de motor.....	27		
2.7.2 Agregar gasolina.....	28		
2.8 Arranque de motores de arranque por tiro.....	28		
2.9 Arranque de motores de arranque eléctrico.....	29		
2.10 Deteniendo el Motor.....	29		
2.11 Sistema de apagado por bajo nivel de aceite.....	29		
2.11.1 Sensando el nivel de aceite.....	29		

INTRODUCCIÓN

Gracias por comprar este modelo de Generac Power Systems, Inc. Este modelo es un generador impulsado por motor, refrigerado por aire, compacto y de alto rendimiento diseñado para proporcionar energía eléctrica para operar cargas eléctricas donde no haya servicio público de electricidad o en reemplazo de la red eléctrica en caso de apagones.

LEA ESTE MANUAL COMPLETAMENTE

Si alguna parte de este manual no se entiende bien, póngase en contacto con el concesionario autorizado más cercano para conocer los procedimientos de arranque, operación y servicio.

El operador es responsable del uso apropiado y seguro de este equipo. Recomendamos encarecidamente que el operador lea este manual y entienda completamente todas las instrucciones antes de usar este equipo. Asimismo recomendamos con igual firmeza el instruir a otros usuarios para arrancar y operar apropiadamente la unidad. Esto los prepara si necesitan operar el equipo en alguna emergencia.

El generador puede operar en forma segura, eficiente y confiable sólo si se le ubica, se le opera y mantiene en forma apropiada. Antes de operar o dar servicio al generador:

- Familiarícese y adhiérase estrictamente a todos los códigos y regulaciones locales, estatales y nacionales.
- Estudie todas las advertencias de seguridad en este manual y en el producto con mucho cuidado.
- Familiarícese con este manual y la unidad antes de usarla.

El fabricante no puede anticipar todas las posibles circunstancias que puedan involucrar peligros. Las advertencias en este manual y en las etiquetas y calcomanías fijadas en la unidad son, por tanto, no completamente inclusivas. Si se usa un procedimiento, método de trabajo o técnica de operación que el fabricante no recomienda específicamente, asegúrese de que sea seguro para los demás. Asimismo asegúrese que el procedimiento, método de trabajo o técnica de operación utilizada no vuelva inseguro al generador.

LA INFORMACIÓN CONTENIDA AQUÍ SE BASÓ EN MÁQUINAS EN PRODUCCIÓN AL MOMENTO DE LA PUBLICACIÓN. GENERAC SE RESERVA EL DERECHO DE MODIFICAR ESTE MANUAL EN CUALQUIER MOMENTO.

REGLAS DE SEGURIDAD

A lo largo de esta publicación, y en lo que respecta a las etiquetas y calcomanías fijadas en el generador, los bloques de PELIGRO, ADVERTENCIA, CUIDADO Y NOTA se usan para alertar al personal sobre instrucciones especiales sobre una operación en particular que puede ser peligrosa si se ejecuta en forma incorrecta o sin cuidado. Obsérvelas con cuidado. Sus definiciones son como sigue:

PELIGRO

INDICA UNA SITUACIÓN PELIGROSA O ACCIÓN QUE, SI NO SE EVITA, TRAERÁ COMO RESULTADO LA MUERTE O UN DAÑO SERIO.

ADVERTENCIA

Indica una situación peligrosa o acción que, si no se evita, podría traer como resultado la muerte o un daño serio.

⚠ CUIDADO


Indica una situación peligrosa o acción que, si no se evita, puede traer como resultado un daño menor o moderado.

NOTA:

Las notas contienen información adicional importante para un procedimiento y se les encontrará dentro del cuerpo de este manual.

Estas advertencias de seguridad no pueden eliminar los peligros que indican. El sentido común y un estricto cumplimiento de las instrucciones especiales cuando se realiza la acción o servicio son esenciales para evitar accidentes.

Cuatro símbolos de seguridad usados comúnmente acompañan los bloques de **PELIGRO**, **ADVERTENCIA** y **CUIDADO**. El tipo de información que cada uno indica es como sigue:

 Este símbolo señala importante información de seguridad que, si no se sigue, puede poner en peligro la seguridad personal y/o las propiedades de otros.

 Este símbolo indica un peligro potencial de explosión.

 Este símbolo indica un peligro potencial de incendio.

 Este símbolo indica un peligro potencial de choque eléctrico.

PELIGROS GENERALES

- Nunca opere en áreas cerradas o interiores.
- Por razones de seguridad, el fabricante recomienda que el mantenimiento de este equipo sea llevado a cabo por un concesionario autorizado. Inspeccione el generador con regularidad, y póngase en contacto con el concesionario autorizado más cercano si necesita repararlo o conseguir repuestos.
- Opere el generador sólo en superficies planas y donde no esté expuesto a excesiva humedad, suciedad, polvo o vapores corrosivos.
- Mantenga las manos, pies, ropa, etc, lejos de las correas de tracción, ventiladores y otras partes móviles. Nunca retire ninguna protección o escudo de ventilador mientras la unidad esté operando.
- Ciertas partes del generador se calientan en extremo durante la operación. Aléjese del generador hasta que se haya enfriado para evitar quemaduras severas.
- NO opere el generador en la lluvia.
- No altere la construcción del generador ni cambie los controles de modo que puedan crear una condición de operación no segura.
- Nunca arranque o detenga la unidad con cargas eléctricas conectadas a las tomas Y con dispositivos conectados y encendidos. Arranque el motor y deje que se estabilice antes de conectar las cargas eléctricas. Desconecte todas las cargas eléctricas antes de apagar el generador.
- No inserte objetos a través de las ranuras de enfriamiento de la unidad.
- Al trabajar con este equipo, manténgase alerta en todo momento. Nunca trabaje en el equipo cuando esté física o mentalmente fatigado.
- Nunca use el generador ni alguna de sus partes como escalón. Pararse sobre la unidad puede tensar y romper partes, y puede traer como resultado condiciones peligrosas de operación como escape de gases, combustible o aceite.

Reglas de seguridad

- En los modelos de arranque eléctrico, desconecte el cable de batería POSITIVO (+) del arrancador del motor O el cable de batería NEGATIVO (-) del terminal de la batería, lo que sea más fácil, antes de transportar el generador.

NOTA:

Este generador está equipado con un silenciador de supresor de chispa. El dueño o el operador deben mantener el supresor de chispa en correcto estado de funcionamiento. En el Estado de California, se requiere por ley un supresor de chispa (Sección 4442 del Código de Recursos Públicos de California). Otros estados pueden tener leyes similares. Las leyes federales se aplican en terrenos federales.

PELIGROS DEL ESCAPE Y UBICACIÓN

- ¡Nunca opere en áreas cerradas o interiores! ¡NUNCA lo use en el hogar, o en áreas parcialmente cerradas, como garajes, aún si las puertas y ventanas están abiertas! Úselo SÓLO en exteriores y lejos de ventanas abiertas, puertas, ductos de ventilación y en áreas que no acumularán el mortal gas del escape.

 PELIGRO	
El uso de un generador en interiores PUEDE MATARLE EN MINUTOS El escape del generador contiene monóxido de carbono. Este es un veneno invisible y sin olor.	
 NUNCA lo use dentro de una casa o garaje, AUN SI las puertas y las ventanas están abiertas.	 Úselo sólo EN EXTERIORES y lejos de ventanas, puertas y ductos de ventilación.

- Los humos del escape del motor contienen monóxido de carbono, que no se puede oler ni ver. Este gas venenoso, si se aspira en concentraciones suficientes, puede hacerle perder la conciencia y causarle la muerte.
- El flujo adecuado y sin obstrucciones de aire para ventilación y refrigeración es crítico para la correcta operación del generador. No altere la instalación ni permita que haya siquiera un bloqueo parcial de la provisión de ventilación, ya que esto puede afectar seriamente la operación segura del generador. El generador DEBE ser operado en exteriores.
- Este sistema de escape debe tener un apropiado mantenimiento. No haga nada que pueda poner en peligro la seguridad del escape o que no cumpla con algún código local o estándar.
- Siempre use una alarma de monóxido de carbono operada con baterías en los interiores, instalada de acuerdo a las instrucciones del fabricante.
- Si empieza a sentirse mal, mareado o débil luego de que el generador esté en funcionamiento, busque aire fresco INMEDIATAMENTE. Vaya al médico, ya que podría tener envenenamiento por monóxido de carbono.

PELIGROS ELÉCTRICOS

- El generador produce alto voltaje peligroso durante la operación. Evite el contacto con cables pelados, terminales conexiones, etc. mientras la unidad está funcionando, aún con equipo conectado al generador. Asegúrese que todas las cubiertas, protecciones y barreras apropiadas se encuentren en su lugar antes de operar el generador.
- Nunca manipule ningún cable eléctrico ni dispositivo mientras esté de pie sobre agua, con los pies descalzos o con las manos o pies húmedos. **PUEDE HABER UNA DESCARGA ELÉCTRICA COMO RESULTADO.**
- El Código Eléctrico Nacional (NEC) requiere que el marco y las partes externas que son conductores eléctricos estén conectadas apropiadamente a una conexión a tierra aprobada. Los códigos eléctricos locales pueden asimismo requerir una apropiada conexión a tierra del generador. Consulte con un electricista local los requerimientos de conexión a tierra para su área.
- Use un circuito interruptor de falla de tierra en cualquier área húmeda o altamente conductiva (como estanterías de metal o trabajos en acero).
- No use cables eléctricos gastados, pelados, deshilachados o de algún modo dañados con el generador.
- Antes de realizar cualquier mantenimiento al generador, desconecte los cables de arranque del motor (si los hubiera) para evitar un arranque accidental. Desconecte primero el cable del borne de la batería indicado como NEGATIVO, NEG; o (-). Reconecte ese cable al final.
- En caso de un accidente causado por descarga eléctrica, apague inmediatamente la fuente de energía eléctrica. Si esto no es posible, intente liberar a la víctima del conductor vivo. **EVITE EL CONTACTO DIRECTO CON LA VÍCTIMA.** Use un implemento no conductivo, como una soga o una tabla, para liberar a la víctima del conductor vivo. Si la víctima está inconsciente, aplique los primeros auxilios y consiga ayuda médica inmediatamente.

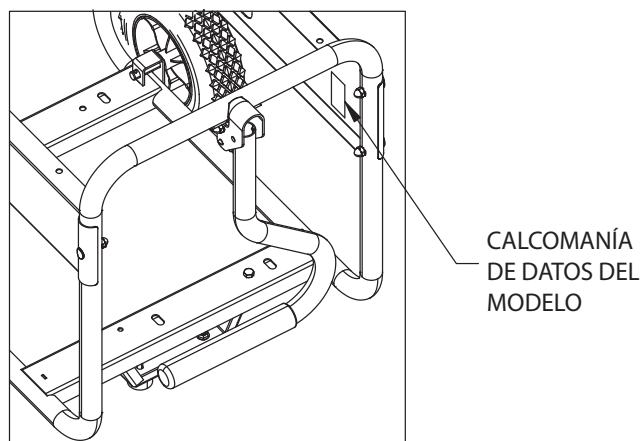
PELIGROS DE INCENDIO

- La gasolina es altamente INFLAMABLE y sus vapores son EXPLOSIVOS. No permita que fumen, haga fuegos abiertos, chispas o calor en la vecindad mientras manipula gasolina.
- Nunca añada gasolina mientras la unidad está funcionando o está caliente. Deje enfriar al motor completamente antes de añadir combustible.
- **Nunca llene el tanque de combustible en el interior de la casa.** Cumpla todas las leyes que regulan el almacenamiento y manipulación de gasolina.
- **No sobrecargue el tanque de combustible. Deje siempre espacio para la expansión del combustible.** Si el tanque está sobrecargado, el combustible puede desparramarse sobre el motor caliente y causar un INCENDIO o una EXPLOSIÓN. Nunca almacene el generador con combustible en el tanque donde los vapores de la gasolina pueden alcanzar llamas abiertas, chispas o fuegos piloto (como en una chimenea, calentador de agua o secador de ropa). Puede generarse un INCENDIO o una EXPLOSIÓN. Deje enfriar la unidad completamente antes de almacenarse.
- Limpie cualquier derrame de combustible o aceite inmediatamente. Asegúrese de que no haya materiales combustible dejados sobre o cerca del generador. Mantenga el área alrededor del generador limpia y libre de residuos y conserve una claridad de cinco (5) pies a todos los lados para permitir una ventilación apropiada para el generador.

- No inserte objetos a través de las ranuras de enfriamiento de la unidad.
- **No** opere el generador si los dispositivos eléctricos conectados sobrecalientan, si la salida eléctrica se pierde, si el motor o el generador bota chispas o se observa humo mientras la unidad está funcionando.
- Tenga un extinguidor cerca al generador en todo momento.

MODELO N°:	
N° DE SERIE:	

Ubicación del IP de la unidad



ÍNDICE DE ESTÁNDARES

En ausencia de los estándares, códigos, regulaciones o leyes pertinentes, la información publicada listada abajo puede usarse como guía para la operación de este equipo. Siempre consulte la revisión más reciente aplicable para el estándar listado.

1. NFPA No. 70, NFPA HANDBOOK OF NATIONAL ELECTRIC CODE.
2. Article X, NATIONAL BUILDING CODE, disponible en la American Insurance Association, 85 John Street, New York, N.Y. 10038.
3. AGRICULTURAL WIRING HANDBOOK, disponible en la Food and Energy Council, 909 University Avenue, Columbia, MO 65201.
4. ASAE EP-3634, INSTALLATION AND MAINTENANCE OF FARM STANDBY ELECTRICAL SYSTEMS, disponible en la American Society of Agricultural Engineers, 2950 Niles Road, St. Joseph, MI 49085.

ADVERTENCIA PROPOSICIÓN 65 DE CALIFORNIA

El Estado de California sabe que el escape del motor y algunos de sus componentes causan cáncer, defectos de nacimiento y otros daños reproductivos.

ADVERTENCIA PROPOSICIÓN 65 DE CALIFORNIA

Este producto contiene o emite químicos que el Estado de California sabe que causan cáncer, defectos de nacimiento u otros daños reproductivos.

1.1 DESEMPAQUE

- Retire todo el material de empaque.
- Retire la caja separada de accesorios.
- Retire el generador de la caja.

1.1.1 CAJA DE ACCESORIOS

Revise todo el contenido. Si alguna parte no se encuentra o está dañada, ubique a un concesionario autorizado en el telf. 1-888-436-3722.

- 1 - Manual del propietario
- 1 - litro de aceite SAE 30
- 2 - Ruedas que no se bajan
- 1 - Unidad de manubrio
- 1 - Pata de marco
- 1 - Cargador de batería (sólo arranque eléctrico)
- 1 - Bolsa de hardware (conteniendo lo siguiente):
 - 2-Patas de goma
 - 2 pasadores de eje de -1/2"
 - 2 - Chavetas
 - 2 arandelas planas de 1/2"
 - 2-pernos M8 (Largos)
 - 2-pernos M8 (cortos)
 - 2-tuercas Acom M8
 - 4 tuercas M8 de reborde hexagonales

1.2 UNIDAD

El generador requiere algún ensamble antes de usarse. Si se presentan problemas al ensamblar el generador, por favor llame a la Generator Helpline al 1-888-77LOWES.

1.2.1 ENSAMBLAJE DEL KIT DE ACCESORIOS

Las ruedas están diseñadas en la unidad para mejorar la portabilidad del generador.

Usted necesitará las siguientes herramientas para instalar apropiadamente el juego de accesorios.

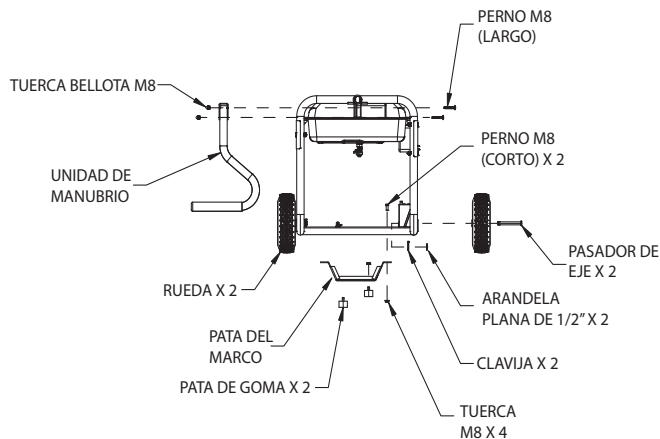
- Alicates de cigüeña
- Llave de crique y boca de 13mm (1/2")
- Llave de boca de 13mm (1/2")

NOTA:

Las ruedas no están diseñadas para su uso en las pistas.

1. Consulte la figura 1 e instale las ruedas como sigue:
 - Deslice los pasadores del eje a través de las ruedas, arandela plana de 1/2" y soporte de las ruedas en el marco.
 - Inserte el pasador de chaveta a través del pasador del eje, luego doble las pestañas (de los pasadores) hacia afuera para mantenerlos en el lugar.
2. Consulte la figura 1 e instale la pata del marco y los parachoques de goma como se muestra.
 - Deslice los tacos del parachoques de goma a través de la pata del marco, luego instale las contratuerzas de cierre.
 - Deslice los pernos de cabeza hexagonal a través de los agujeros del riel del marco.
 - Deslice el pie del marco en los tornillos de cabeza hexagonal y luego instale las contratuerzas de cierre.
3. Consulte la figura 1 e instale el manubrio como se muestra.
 - Deslice los pernos largos a través del soporte del manubrio y del manubrio y luego instale los pernos hexagonales.

Figura 1 – Ensamble de la rueda y el manubrio



1.2.2 CONEXIÓN DEL ARRANCADOR (ARRANQUE ELÉCTRICO SOLAMENTE)

La unidad ha sido enviada deliberadamente con el cable del arrancador desconectado.

Para conectar el arrancador:

1. Ubique el cable del arrancador.
2. Tire la bota de vinilo hacia atrás en el cable de arranque.
3. Retire la tuerca y arandela del poste del arrancador.
4. Coloque el cable arrancador en el poste y reinstale arandela y tuerca.

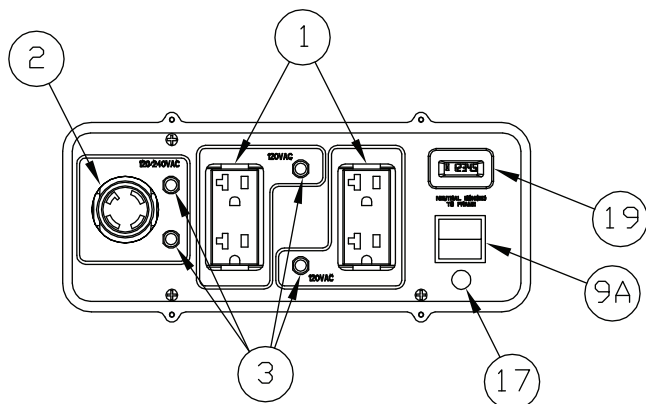
2.1 CONOZCA EL GENERADOR

Lea el manual del propietario y las reglas de seguridad antes de operar este generador.

Compare el generador con las figuras de la 2 a la 4 para familiarizarse con las ubicaciones de los diversos controles y ajustes. Guarde este manual para referencias futuras.

1. **Receptáculo dúplex de 120 Volt AC, 20 Amp** – Proporciona energía eléctrica para la operación de cargas de iluminación eléctrica, aparatos, herramientas o motores de 120 Volt AC, 20 Amp, monofásicos de 60 Hz.
2. **Receptáculo con cierre de 120/240 Volt AC, 30 Amp** – Proporciona energía eléctrica para la operación de cargas de iluminación eléctrica, aparatos, herramientas o motores de 120 y/o 240 Volt AC, 30 Amp, monofásicos de 60 Hz.
3. **Interruptores de circuito (AC)** –Cada receptáculo está provisto con un interruptor de circuito de presionar para reiniciar con el fin de proteger al generador contra sobrecargas eléctricas.
4. **Drenaje de aceite** – Usar para drenar el aceite del motor.
5. **Filtro de aire** – Filtra el aire de ingreso al motor.
6. **Palanca de choke** – Se le usa al arrancar un motor frío.
7. **Tanque de combustible** – Revise la capacidad del tanque en las especificaciones del generador.
8. **Lengüeta de tierra** – Conecte el generador a una conexión a tierra aprobada desde aquí. Vea "Conectando el generador a tierra" para mayores detalles.
9. **Interruptor de funcionamiento/parada** – Controla la operación del generador (modelos sólo de arranque de tiro).
- 9A. **Interruptor de arranque** – Se usa para arrancar el motor desde el motor arrancador (modelos de arranque eléctrico solamente).

Figura 2 - Panel de control



- 10. **Silenciador** – Silencia el motor.
- 11. **Manubrio** – Pivotea y se retracta para almacenarse. Presione los botones con resorte para mover los manubrios.
- 12. **Tapa de gasolina** – Ubicación de llenado de combustible.
- 13. **Medidor de combustible** – Muestra el nivel de combustible en el tanque.
- 14. **Llenado de aceite** – Agregue aceite aquí.
- 15. **Arranque de culata** – Use para arrancar el motor manualmente.
- 16. **Cierre de combustible** – Válvula entre el tanque de combustible y el carburador.
- 17. **Entrada del cargador de batería** – Este receptáculo permite recargar la batería de almacenamiento de 12 voltios proporcionada con el conector adaptador de 12 voltios que se incluye en la caja de accesorios. Detrás de la entrada del cargador de baterías se encuentra un fusible en línea de 1.5 amperios que está dentro del panel de control para proteger la batería (sólo arranque eléctrico).
- 18. **Batería** – Energiza el arrancador eléctrico (sólo arranque eléctrico).
- 19. **Medidor de horas** - Mide las horas de operación.

Figura 3 - Controles del generador

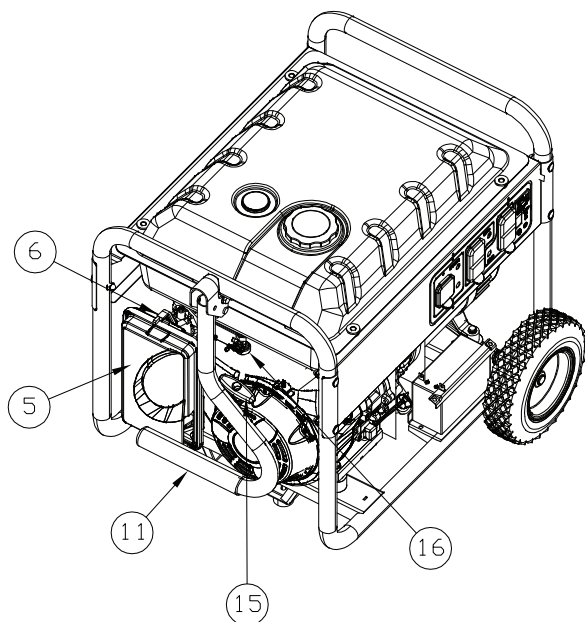
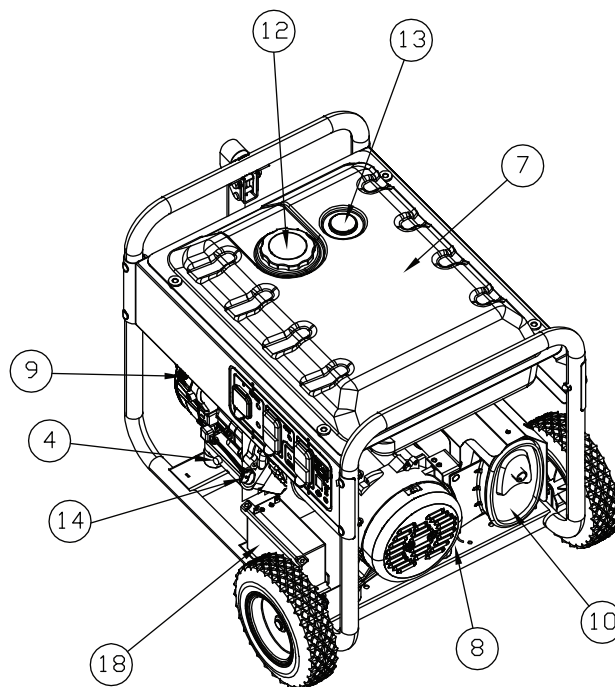


Figura 4 - Controles del generador



2.2 MEDIDOR DE HORAS

El medidor de horas mide el tiempo de operación para seguir los mantenimientos programados.

Habrà un mensaje de "CHG OIL" cada 100 horas. El mensaje destellarà una hora antes y una hora después de cada intervalo de 100 horas, proporcionando una ventana de dos horas para realizar el servicio.

Este mensaje realmente empezará a destellar a las 99 horas y se deshabilitará a las 101 horas proporcionando una ventana de dos horas para realizar el servicio.

Cada 200 horas el icono "SVC" en la esquina inferior izquierda de la pantalla destellará. El mensaje destellará una hora antes y una hora después de cada intervalo de 200 horas, proporcionando una ventana de dos horas para realizar el servicio.

Cuando el medidor de horas está en el modo de alerta de destello (Flash Alert), el mensaje de mantenimiento siempre alternará con el tiempo transcurrido en horas y décimos. Las horas destellarán cuatro veces, luego alternará con los mensajes de mantenimiento cuatro veces hasta que el medidor se reinicia.

- 100 horas - CHG OIL — Intervalo de cambio de aceite (cada 100 hrs)

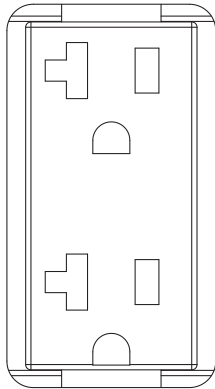
2.3 JUEGO DE CUERDAS Y CONECTORES

2.3.1 RECEPTÁCULO DUPLEX DE 120 VAC, 20 AMP

Esta es una toma de 120 voltios protegida contra sobrecarga por un interruptor de circuito de presionar para reiniciar de 20 amperios (figura 5). Use cada una de las tomas para alimentar cargas eléctricas de 120 volts, monofásicas de 60 Ha que requieran hasta una potencia combinada de 2,400 vatios (2.4 Kw) o 20 amperios de corriente. Use sólo juegos de cables de alta calidad, bien aislados, de tres conductores con conexión a tierra para 125 voltios a 20 amperios (o más).

Mantenga los cables de extensión lo más cortos posible, preferiblemente menos de 15 pies (5 metros) de largo, para evitar caídas de voltaje y posible sobrecalentamiento de los cables.

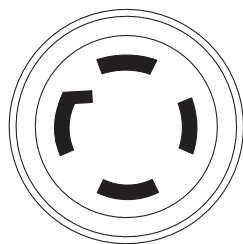
Figura 5 - receptáculo dúplex de 120 Volt AC, 20 Amp



2.3.2 RECEPTÁCULO DE 120/240 VAC, 30 AMP

Use un conector NEMA L14-30 con este receptáculo (giran para cerrar/abrir). Conecte un juego de cables de 4 conductores con conexión a tierra al conector y a la carga deseada. El cable deberá ser de 250 VAC y 30 Amperios nominal (o más) (figura 6).

Figura 6 - Receptáculo de 120/240 VAC, 30 Amp



120V/240V
30A

Use este receptáculo para operar cargas monofásicas de 120 Voltios AC a 60 Hz que requieran hasta 3600 vatios (3.6 Kw) de potencia a 30 amperios o 240 VAC, 60 hz, monofásicas que requieran hasta 7200 vatios (7.2 KW) de potencia a 30 amperios. La toma de salida está protegida por dos interruptores de circuito de presionar para reiniciar de 25 Amp (5.0/5.5kW) o de 30 Amp (6.5kW).

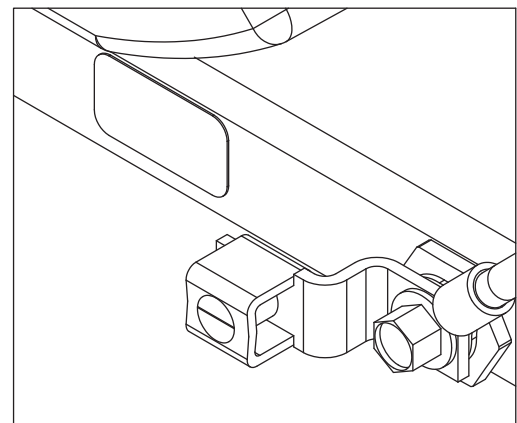
2.4 CÓMO USAR ESTE GENERADOR

Si hay algún problema al operar el generador, por favor llame a la Generator Helpline al 1-888-436-3722.

2.4.1 CONEXIÓN A TIERRA DEL GENERADOR

El Código Eléctrico Nacional requiere que el marco y las partes externas de este generador que son conductores eléctricos estén conectadas en forma apropiada a una conexión a tierra aprobada (figura 7). Los códigos eléctricos locales pueden asimismo requerir una apropiada conexión a tierra de la unidad. Para este propósito, el conectar un conductor de cobre N° 10 AWG trenzado a la tuerca de tierra y a una vara de bronce o cobre de tierra (electrodo) proporciona una protección adecuada contra descargas eléctricas. Sin embargo, los códigos locales pueden variar ampliamente. **Consulte con un electricista local los requerimientos de conexión a tierra para su área.**

Figura 7 - Conexión a tierra del generador



La apropiada conexión a tierra del generador ayudará a evitar una **descarga eléctrica** en el caso en que se presente una falla de tierra en el generador o en los dispositivos conectados. Una apropiada conexión a tierra también ayuda a disipar la electricidad estática, que generalmente se acumula en dispositivos no enterrados.

2.4.2 CONEXIÓN DE LAS CARGAS ELÉCTRICAS

NO conecte cargas de 240 Volt a receptáculos de 120 Volt. **NO** conecte cargas trifásicas al generador. **NO** conecte cargas de 50 Hz al generador.

- Deje que el motor se estabilice y caliente por unos minutos antes de arrancar.
- Conecte y encienda las cargas eléctricas monofásicas de 120 o 240 voltios y 60 Hz deseadas.
- Sume la potencia nominal (o amperaje) de todas las cargas que serán conectadas a la vez. Este total no deberá ser mayor que (a) la capacidad de potencia y corriente del generador o (b) la capacidad nominal del interruptor del circuito que suministra la energía. Vea "No sobrecargue el generador".

2.5 NO SOBRECARGUE EL GENERADOR

Sobrecargar un generador en exceso de su capacidad de potencia nominal puede traer como resultado daños al generador y a los dispositivos eléctricos conectados. Observe lo siguiente para evitar sobrecargar la unidad:

- Sume el total de potencia de todos los dispositivos eléctricos a conectarse a la vez. Este total NO deberá ser mayor que la capacidad de potencia del generador.
 - La potencia nominal de las luces puede leerse en las mismas bombillas. La potencia nominal de las herramientas, aparatos y motores normalmente se puede encontrar en la etiqueta de datos o calcomanía fijada en el dispositivo.
 - Si el aparato, herramienta o motor no muestran la potencia, multiplique voltios por amperios nominales para determinar los vatios (volts x amps = vatios).
 - Algunos motores eléctricos, como los del tipo inducción, requieren alrededor de tres veces más potencia para arrancar que para funcionar. Este transitorio de potencia dura sólo unos pocos segundos al arrancar tales motores. Asegúrese de tener en cuenta esta alta potencia de arranque al seleccionar dispositivos eléctricos que se conectarán al generador.
1. Sepa la potencia necesaria para arrancar el motor más grande.
 2. Sume a esa cifra la potencia de funcionamiento de todas las otras cargas conectadas.

La guía de referencia de potencias se proporciona para ayudarle a determinar cuántos ítems puede operar el generador al mismo tiempo.

NOTA:

Todas las cifras son aproximadas. Vea la etiqueta de datos en los aparatos para saber los requerimientos de potencia.

2.6 GUÍA DE REFERENCIA DE POTENCIAS

Dispositivo	Vatios en funcionamiento
*Aire acondicionado (12,000 Btu)	1700
*Aire acondicionado (24,000 Btu)	3800
*Aire acondicionado (40,000 Btu)	6000
Cargador de baterías (20 Amp)	500
Lijadora de bandas (3")	1000
Sierra eléctrica	1200
Sierra circular (6-1/2")	de 800 a 1000
*Secadora de ropa (Eléctrica)	5750
*Secadora de ropa (a gas)	700
*Lavadora de ropa	1150
Cafetera	1750
*Compresor (1 HP)	2000
*Compresor (3/4 HP)	1800
*Compresor (1/2 HP)	1400
Rizador de pelo	700
*Deshumecedor	650
Lijadora de disco (9")	1200
Cortadora	500
Frazada eléctrica	400
Pistola eléctrica de clavos	1200
Rango eléctrico (por elemento)	1500
Sartén eléctrica	1250
*Congeladora	700
*Ventilador de chimenea(3/5 HP)	875
*Garaje de apertura automática	de 500 a 750
Secador de pelo	1200

Taladro de mano	de 250 a 1100
Cortador de setos	450
Herramienta de impacto	500
Plancha	1200
* Eyector	800
Cortadora de césped	1200
Bombilla de luz	100
Horno de microondas	de 700 a 1000
*Enfriador de leche	1100
Quemador de aceite sobre chimenea	300
Calentador de chispa de aceite (140,000 Btu)	400
Calentador de chispa de aceite (85,000 Btu)	225
Calentador de chispa de aceite (30,000 Btu)	150
*Pulverizador de pintura, sin aire (1/3 HP)	600
Pulverizador de pintura, sin aire (de mano)	150
Radio	de 50 a 200
*Refrigeradora	700
Cocina lenta	200
*Bomba sumergible (1-1/2 HP)	2800
*Bomba sumergible (1 HP)	2000
*Bomba sumergible (1/2 HP)	1500
*Bomba de desagüe	de 800 a 1050
*Sierra de banco (10")	de 1750 a 2000
Televisor	de 200 a 500
Tostadora	de 1000 a 1650
Podadora de césped	500
* Calcule 3 veces la potencia de la lista para arrancar estos dispositivos.	

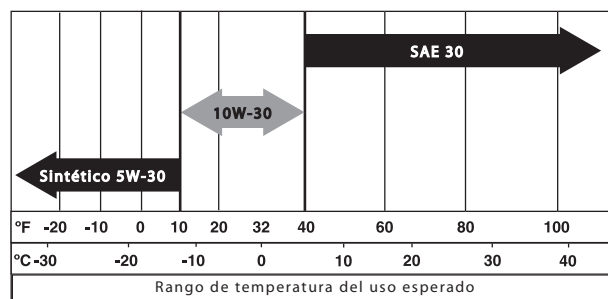
2.7 ANTES DE ARRANCAR EL GENERADOR

Antes de operar el generador, es necesario agregar aceite de motor y gasolina, de esta manera:

2.7.1 AGREGAR ACEITE DE MOTOR

Todo aceite debe cumplir el estándar mínimo de la American Petroleum Institute (API) Service Class SJ, SL o superior. No use aditivos especiales. Seleccione el grado de viscosidad del aceite de acuerdo a la temperatura esperada de operación (ver el gráfico también).

- Por encima de 40° F, use SAE 30
- Por debajo de 40° F y hasta 10° F, use 10W-30
- Por debajo de 10° F, use 5W-30 sintético



⚠ CUIDADO

! Cualquier intento de arrancar el motor antes de que se le haya dado servicio apropiado con el aceite recomendado puede traer como resultado una falla del motor.

- Coloque el generador en una superficie nivelada.
- Limpie el área alrededor de la toma de aceite y retire la tapa de la toma y la varilla medidora.
- Limpie la varilla.
- Llene lentamente el motor con aceite a través de la abertura hasta que llegue a su marca de lleno. Deje de llenar ocasionalmente para revisar el nivel de aceite. **Tenga cuidado de no sobrecargarlo.**
- Instale la tapa del aceite y ajústela con seguridad.
- Después de esto, revise el nivel de aceite antes de arrancar cada vez.

2.7.2 AGREGAR GASOLINA

⚠ PELIGRO

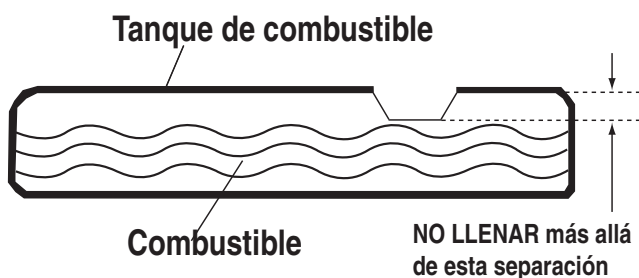
! **NUNCA llene el tanque de combustible en el interior de la casa. Nunca llene el tanque de gasolina mientras el motor está funcionando o está caliente. Evite derramar gasolina sobre un motor caliente. Deje enfriar al motor completamente antes de llenar el tanque de combustible. NO encienda cigarrillos o fume cuando esté llenando el tanque de combustible.**

! **No sobrecargue el tanque de combustible. Deje siempre espacio para la expansión del combustible. Si el tanque está muy lleno, el combustible puede caer sobre el motor caliente y causar un INCENDIO o EXPLOSIÓN. Limpie cualquier derrame de combustible inmediatamente.**

! **No encienda cigarrillos ni fume cuando esté llenando el tanque de combustible. La gasolina es altamente INFLAMABLE y sus vapores son EXPLOSIVOS.**

- Use gasolina sin plomo REGULAR para el motor del generador. No use ninguna gasolina con más de 10% de etanol adicional. No use gasolina E85. No use aceite con gasolina.
- Limpie el área alrededor de la tapa de llenado de combustible, sáquela.
- Lentamente añada gasolina regular sin plomo al tanque de combustible. Llene hasta el fondo del filtro de pantalla. **Tenga cuidado de no llenarlo demasiado** (figura 8).
- Instale la tapa del combustible y limpie la gasolina que se haya derramado.

Figura 8 - Tanque de combustible



IMPORTANTE: Es importante evitar que se formen depósitos de goma en las partes del sistema de combustible como el carburador, la manguera de combustible o el tanque durante el almacenamiento. Los combustibles mezclados con alcoholes (llamados gasohol, etanol o metanol) pueden atraer la humedad, lo que llega a la separación y formación de ácidos durante el almacenamiento. Los gases ácidos pueden dañar el sistema de combustible de un motor durante el almacenamiento. Para evitar problemas con el motor, el sistema de combustible deberá vaciarse antes de almacenarse por 30 días o más. Ver la sección de "Almacenamiento". Nunca use productos limpiadores de motor o carburador en el tanque de combustible ya que puede ocasionar daño permanente.

2.8 ARRANQUE DE MOTORES DE RECALE

⚠ ADVERTENCIA

! **Nunca arranque ni detenga el motor con los dispositivos eléctricos conectados a los receptáculos ni encendidos.**

- Desconecte todas las cargas eléctricas de los receptáculos de la unidad antes de arrancar el motor.
- Asegúrese de que la unidad esté en una posición nivelada.
- ABRA la válvula de cierre de combustible (figura 9).
- Gire el interruptor RUN/STOP a la posición ON.
- Deslice la palanca de CHOKE del motor a la posición IZQUIERDA de "FULL CHOKE" (completo) (figura 10).
- Para arrancar el motor, tome firmemente el manubrio del recule y tire lentamente hasta que se sienta que aumenta la resistencia. Tire rápidamente hacia afuera.
- Cuando el motor arranque, mueva la palanca de Choke a 1/2 CHOKE hasta que el motor funcione en forma suave y luego completamente a la posición RUN. Si el motor arranca, mueva la palanca de Choke a 1/2 CHOKE hasta que el motor funcione en forma suave y luego a la posición RUN.

NOTA:

Si el motor dispara, pero no sigue funcionando, mueva la palanca de choke a FULL CHOKE y repita las instrucciones de arranque.

Figura 9 - Válvula de cierre de combustible

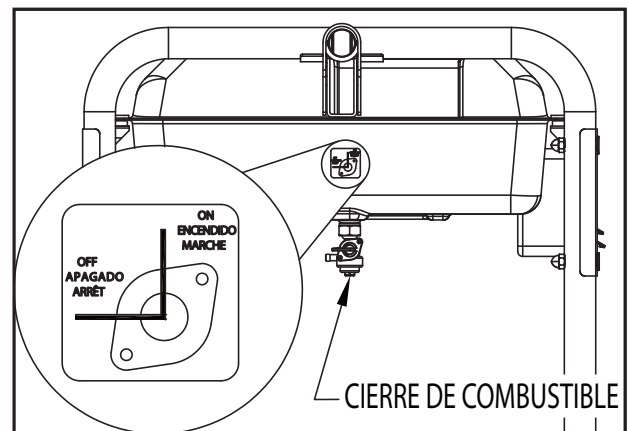
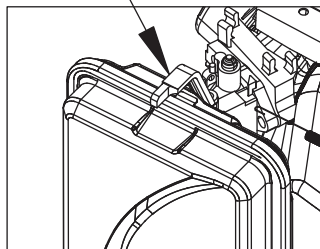


Figura 10 - Posición de Choke

PALANCA DE CHOKE
IZQUIERDA = CHOKE
DERECHA = FUNCIONAR



IMPORTANTE: No sobrecargue el generador. Asimismo, no sobrecargue los receptáculos individuales. Estas tomas están protegidas contra sobrecargas con interruptores de circuito tipo presionar para reiniciar. Si la corriente nominal de cualquiera de los interruptores se excede, ese interruptor se abre y la salida eléctrica a ese receptáculo se pierde. Lea "No sobrecargue el generador" con mucho cuidado.

2.9 ARRANQUE DE MOTORES DE ARRANQUE ELÉCTRICO

⚠ ADVERTENCIA

⚠ Nunca arranque ni detenga el motor con los dispositivos eléctricos conectados a los receptáculos ni encendidos.

- Desconecte todas las cargas eléctricas de los receptáculos de la unidad antes de arrancar el motor.
- Asegúrese de que la unidad esté en una posición nivelada.
- Abra la válvula de cierre del combustible (figura 9).
- Mueva la palanca de CHOKE del motor a la posición FULL CHOKE (completo) (figura 10).
- Para arrancar el motor, mantenga presionado el interruptor de Start/Run/Stop en la posición "Start". El motor intentará arrancar. Cuando el motor arranque, suelte el interruptor a la posición "run" (funcionamiento).
- Cuando el motor arranque, mueva la palanca de Choke a "1/2 choke" hasta que el motor funcione en forma suave y luego completamente a la posición "Run". Si el motor decae, mueva la palanca de Choke nuevamente a "1/2 choke" hasta que el motor funcione en forma suave y luego a la posición "Run".
- Este generador también está equipado con un arrancador manual de recule que se puede usar si la batería está descargada.

NOTA:

El interruptor debe estar en posición RUN.

- Para arrancar manualmente, tome firmemente el manubrio del recule y tire lentamente hasta que se sienta que aumenta la resistencia. Tire rápidamente arriba para arrancar el motor. Luego siga la misma secuencia de choke.

NOTA:

Si el motor dispara, pero no sigue funcionando, mueva la palanca de choke a FULL CHOKE y repita las instrucciones de arranque.

IMPORTANTE: No sobrecargue el generador. Asimismo, no sobrecargue los receptáculos individuales. Estas tomas están protegidas contra sobrecargas con interruptores de circuito tipo presionar para reiniciar. Si la corriente nominal de cualquiera de los interruptores se excede, ese interruptor se abre y la salida eléctrica a ese receptáculo se pierde. Lea "No sobrecargue el generador" con mucho cuidado.

2.10 DETENER EL MOTOR

- Apague todas las cargas, luego desconecte las cargas eléctricas de los receptáculos del panel del generador. Nunca arranque ni detenga el motor con dispositivos eléctricos conectados y encendidos.
- Deje que el motor funcione sin carga por algunos minutos para estabilizar las temperaturas internas del motor y del generador.
- Mueva el interruptor de Run/Stop a la posición OFF.
- Cierre la válvula de combustible.

2.11 SISTEMA DE APAGADO POR BAJO NIVEL DE ACEITE

El motor está equipado con un sensor de bajo nivel de aceite que apaga el motor en forma automática cuando el nivel de aceite cae por debajo de un nivel especificado. Si el motor se apaga y el tanque de combustible tiene suficiente gasolina, revise el nivel de aceite de motor.

2.11.1 SENSANDO EL BAJO NIVEL DE ACEITE

Si el sistema detecta un bajo nivel de aceite durante la operación, el motor se apaga. El motor no funcionará hasta que se haya llenado aceite de nuevo a su nivel apropiado.

3.1 PROGRAMA DE MANTENIMIENTO

Siga los intervalos del calendario. Se requiere un servicio más frecuente cuando se opera en condiciones adversas como las que se indica abajo.

Revise el nivel de aceite	en cada uso
Cambie el aceite ‡	*Cada 100 horas o cambio de estación
Revise la claridad de la válvula	***Cada cambio de estación
Servicio del filtro de aire	** Cada 200 horas o cambio de estación
Reemplazo de bujías	Cada cambio de estación

‡ Cambie el aceite luego de las primeras 30 horas de operación y luego en cada cambio de estación.

* Cambie el aceite y el filtro de aceite cada mes si opera bajo condiciones pesadas de carga o altas temperaturas.

** Limpie con más frecuencia bajo condiciones de operación que involucren polvo y suciedad. Reemplace las partes del filtro de aire si no se les puede limpiar adecuadamente.

*** Revise la claridad de la válvula y ajústela si es necesario luego de las primeras 50 horas de operación y cada 100 horas luego de ello.

3.2 ESPECIFICACIONES DEL PRODUCTO

3.2.1 ESPECIFICACIONES DEL GENERADOR

Capacidad eléctrica.....	5.0/5.5/6.5 kW**
Potencia de transitorio.....	6.25/6.88/8.0 kW
Voltaje AC nominal.....	120/240
Carga AC nominal	
Corriente @ 240V (5.0/5.5/6.5 kW).....	20.8/22.9/27.1 Amps**
Corriente @ 120V (5.0/5.5/6.5 kW).....	41.6/45.8/54.2 Amps**
Frecuencia nominal.....	60 Hz @ 3600 RPM
Fase.....	Monofásico

** Las potencias y corrientes máximas están sujetas a, y limitadas por, factores tales como contenido en BTUs del combustible, altitud, condiciones del motor, etc. La potencia máxima disminuye alrededor del 3.5% por cada 1000 pies sobre el nivel del mar, y también disminuirá alrededor del 1% por cada 6°C (10°F) por encima de los 16°C (60°F) de temperatura ambiente.

3.2.2 ESPECIFICACIONES DEL MOTOR

Desplazamiento.....	389 cc
Tipo de bujías.....	NHSP LDF7TC o Champion N9YC
Espaciamiento de la bujía.....	0.028-0.031 pulgadas o (0.70-0.80 mm)
Capacidad de gasolina.....	7.2 galones americanos
Tipo de aceite.....	Ver la cartilla en la sección "Antes de arrancar el generador"
Capacidad de aceite.....	1 L (1.06 Qts.)
Tiempo de funcionamiento a 50% de carga (5.0/5.5/6.5 kW).....	10 horas

3.2.3 INFORMACIÓN DE EMISIONES

La agencia de protección ambiental (EPA) requiere que este generador cumpla con los estándares de emisión en el escape. El motor usado en este generador está certificado para cumplir los niveles de emisión de EPA aplicables. Es importante seguir las especificaciones en la sección de mantenimiento proporcionadas en este manual para asegurar que su motor cumple con los estándares de emisión aplicables por la duración de la vida del motor. El sistema de control de emisiones de este generador consiste en lo siguiente:

- | | |
|-----------------------------------|--------------------------|
| • Sistema de inducción de aire | • Sistema de ignición |
| ~ Tubería/distribuidor de entrada | ~ Bujía |
| ~ Limpiador de aire | ~ Bobina de arranque |
| • Sistema de escape | • Sistema de combustible |
| ~ Distribuidor de escape | ~ Carburador |
| ~ Silenciador | |

El período de cumplimiento de emisiones mencionado en la etiqueta de cumplimiento de emisiones indica el número de horas de operación para las que el motor ha demostrado cumplir los requerimientos de emisión de la EPA.

3.3 RECOMENDACIONES GENERALES

La garantía del generador no cubre ítems que hayan sido objeto de abuso o negligencia del operador. Para recibir el valor total de la garantía, el operador debe hacer el mantenimiento del generador tal como se instruye en este manual.

Se necesitará hacer algunos ajustes periódicamente para mantener apropiadamente este generador.

Todos los ajustes en la sección de Mantenimiento de este manual deberán hacerse al menos una vez en cada cambio de estación. Siga los requerimientos del "Programa de mantenimiento".

NOTA:

Una vez al año, reemplace las bujías y el filtro de aire. Bujías nuevas y filtro de aire limpio aseguran una apropiada mezcla de aire-combustible y ayudan a que el motor funcione mejor y dure más.

3.3.1 MANTENIMIENTO DEL GENERADOR

El mantenimiento del generador consiste en mantener a la unidad limpia y seca. Opere y almacene la unidad en un ambiente limpio y seco donde no esté expuesta a excesivo polvo, suciedad, humedad ni vapores corrosivos. Las ranuras de aire de enfriamiento en el generador no deberán obstruirse con nieve, hojas ni ningún material extraño.

Revise la limpieza del generador frecuentemente y límpielo cuando el polvo, suciedad, humedad y otras sustancias extrañas sean visibles en su superficie exterior.

⚠ CUIDADO

! Nunca inserte ningún objeto ni herramienta a través de las ranuras de aire de refrigeración, aún si el motor no está funcionando.

NOTA:

NO use una manguera de jardín para limpiar el generador. El agua puede ingresar al sistema de combustible del motor y causar problemas. Adicionalmente, si el agua ingresa al generador a través de las ranuras de aire, algo del agua será retenida en vacíos o grietas del aislamiento del bobinado del rotor y estator. La acumulación del agua y el polvo en los bobinados internos del generador eventualmente disminuirán la resistencia de aislamiento de esos bobinados.

3.3.2 PARA LIMPIAR EL GENERADOR

- Use un trapo húmedo para limpiar las superficies exteriores.
- Una escobilla suave de cerdas puede usarse para soltar suciedades pegadas, aceite, etc.
- Se puede usar una aspiradora para levantar la suciedad suelta y restos.
- Se puede usar una baja presión de aire (que no exceda las 25 psi) para soplar la suciedad. Inspeccione las ranuras de aire de ventilación y las aberturas del generador. Estas aperturas deben mantenerse limpias y sin obstrucciones.

3.3.3 MANTENIMIENTO DEL MOTOR

⚠ PELIGRO

⚡ Cuando trabaje en el generador, siempre desconecte el cable de la bujía y manténgalo lejos de esta.

3.3.4 REVISAR EL NIVEL DE ACEITE

Vea la sección "ANTES DE ARRANCAR EL GENERADOR" para mayor información sobre la revisión del nivel de aceite. El nivel de aceite debe revisarse antes de cada uso, o al menos cada ocho horas de operación. Siempre mantenga el nivel de aceite.

3.3.5 CAMBIO DE ACEITE

Cambie el aceite cada 100 horas. Si está haciendo funcionar la unidad en condiciones de polvo o suciedad, o en clima extremadamente cálido, cambie el aceite con más frecuencia.

⚠ CUIDADO

! El aceite caliente puede causar quemaduras. Permita que el motor enfríe antes de drenar el aceite. Evite una exposición prolongada o repetida de la piel con el aceite usado. Lave completamente las áreas expuestas con jabón.

Use las siguientes instrucciones para cambiar el aceite luego que el motor enfríe:

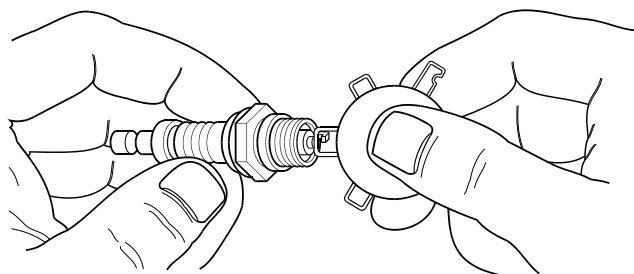
- Limpie el área alrededor de la manguera de drenaje del aceite.
- Retire la tapa de drenaje de aceite del motor y la tapa de llenado de aceite para que drene completamente en un contenedor adecuado.
- Cuando el aceite haya drenado completamente, instale la tapa de drenaje de aceite y ciérrela con firmeza.
- Llene el motor con el aceite recomendado. (Vea "Antes de arrancar el generador" para mayores recomendaciones sobre el aceite).
- Limpie el aceite que se haya derramado.
- Disponga del aceite usado en un centro de recolección apropiado.

3.3.6 REEMPLAZO DE LA BUJÍA

Use bujía Champion N9YC o equivalente. **Reemplace la bujía una vez al año.** Esto ayudará a que el motor arranque con mayor facilidad y funcione mejor.

1. Detenga el motor y tire del cable de bujías colocándolo lejos de las mismas.
2. Limpie el área alrededor de la bujía y retirela de la cabeza del cilindro.
3. Coloque el espaciador de la bujía en 0.70-0.80 mm (0.028-0.031 in.). Instale la bujía con el espaciador correcto en la cabeza del cilindro (figura 11).

Figura 11 - Espaciamiento de la bujía.



3.4 SERVICIO DEL FILTRO DE AIRE

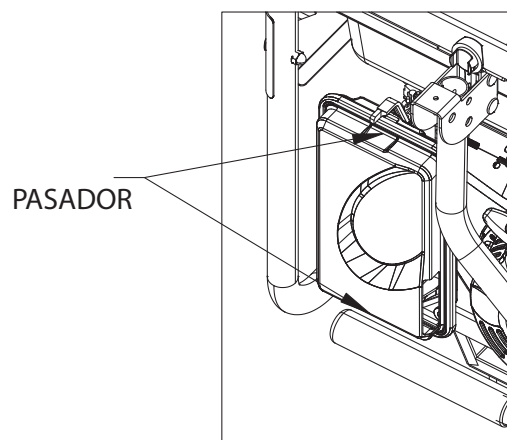
El motor no funcionará apropiadamente y puede dañarse si se usa un filtro de aire sucio. Limpie el filtro de aire cada 200 horas o una vez al año (figura 12). Límpielo o reemplácelo con mayor frecuencia si se opera en condiciones de suciedad.

- Retire la cubierta del filtro de aire.
- Lavar en agua jabonosa. Exprima el filtro para secarlo en una tela limpia (NO LO TUERZA).
- Limpie la cubierta del filtro de aire antes de reinstalarlo.

NOTA:

Para ordenar un filtro de aire nuevo, por favor póngase en contacto con el centro de servicio autorizado más cercano al 1-888-436-3722.

Figura 12 - Filtro de aire



3.5 CLARIDAD DE LA VÁLVULA

- Toma de entrada — 0.15 ± 0.02mm (frío), (0.006" ± 0.0008" pulg)
- Escape — 0.0020 ± 0.02mm (frío) (0.008" ± 0.0008" pulg)


Luego de las primeras 50 horas de operación, revise la claridad de la válvula en el motor y ajústela si es necesario.

Importante: Si se siente incómodo haciendo este procedimiento o no tiene disponibles las herramientas apropiadas, por favor lleve el generador al centro de servicio más cercano para ajustar la claridad de la válvula. Este es un paso muy importante para asegurar la mayor vida de su motor.

3.6 GENERAL

El generador deberá arrancarse al menos una vez cada siete días y permitirsele funcionar al menos 30 minutos. Si esto no se puede hacer y la unidad debe guardarse por más de 30 días, use la siguiente información como guía para prepararlo para su almacenamiento.

PELIGRO

 **NUNCA almacene un motor con combustible en el tanque en interiores o en áreas cerradas poco ventiladas en donde los humos pueden alcanzar una llama abierta, chispa o flama piloto como en una chimenea, calentador de agua, secadora de ropa u otros aparatos a gas.**

 **Deje enfriar la unidad completamente antes de almacenarse.**


3.7 ALMACENAMIENTO POR LARGO PLAZO

Es importante evitar que se formen depósitos de goma en las partes esenciales del sistema de combustible como el carburador, la manguera de combustible o el tanque durante el almacenamiento. Asimismo, la experiencia indica que los combustibles mezclados con alcoholes (llamados gasohol, etanol o metanol) pueden atraer la humedad, lo que llega a la separación y formación de ácidos durante el almacenamiento. Los gases ácidos pueden dañar el sistema de combustible de un motor durante el almacenamiento.

Para evitar problemas con el motor, el sistema de combustible deberá vaciarse antes de almacenarse por 30 días o más, como sigue:

- Retire toda la gasolina del tanque de combustible.

PELIGRO

 **Drene el combustible en contenedores apropiados en exteriores, lejos de las flamas abiertas. Asegúrese de que el motor esté frío. No fume.**

- Arranque y haga funcionar el motor hasta que se detenga por falta de combustible.

- Mientras el motor esté aun caliente, drene el aceite del cárter. Rellene con el grado recomendado.
- Retire la bujía y llene alrededor de 1/2 onza (15 ml) de aceite de motor en los cilindros. Cubra el agujero de la bujía con un trapo. Tire del arrancador de recule un par de veces para lubricar los anillos del pistón y el recorrido del cilindro.

CUIDADO

Evite la pulverización del agujero de la bujía en el arranque.

- Instale y ajuste la bujía. No conecte el cable de bujía.
- Limpie las otras superficies del generador. Revise que las aberturas y ranuras de aire de ventilación en el generador estén abiertas y sin obstrucciones.
- Almacene la unidad en un lugar limpio y seco.

3.8 OTROS CONSEJOS PARA ALMACENAMIENTO

- No almacene gasolina de una estación a otra.
- Reemplace la gasolina si empieza a oxidarse. El óxido o suciedad en la gasolina causará problemas con el carburador y el sistema de combustible.
- Si fuera posible, almacene la unidad en interiores y cúbrala para protegerla del polvo y la suciedad. **ASEGÚRESE DE VACIAR EL TANQUE DE COMBUSTIBLE.**
- Si no fuera práctico vaciar el tanque de combustible y la unidad tiene que almacenarse por un tiempo, use un estabilizador de combustible comercial disponible y añádalo a la gasolina para prolongar la vida de esta.
- Cubra la unidad con una cubierta protectora adecuada que no retenga humedad.

PELIGRO

 **NUNCA cubra el generador mientras las áreas del motor y el escape están calientes.**

4.1 GUÍA DE DETECCIÓN DE PROBLEMAS

PROBLEMA	CAUSA	CORRECCIÓN
El motor está funcionando, pero no hay salida de AC disponible.	<ol style="list-style-type: none"> 1. El interruptor de circuito está abierto. 2. Pobre conexión o cable defectuoso. 3. El dispositivo conectado está mal. 4. Falla en el generador. 	<ol style="list-style-type: none"> 1. Reinicie el interruptor de circuito. 2. Revise y repare. 3. Conecte otro dispositivo que esté en buenas condiciones. 4. Contacte a un servicio autorizado.
El motor funciona bien pero se siente sobrecargado cuando las cargas están conectadas.	<ol style="list-style-type: none"> 1. Cortocircuito en la carga conectada. 2. El generador está sobrecargado. 3. La velocidad del motor es muy lenta. 4. Circuito del generador en corto. 	<ol style="list-style-type: none"> 1. Desconecte la carga eléctrica en corto. 2. Vea "No sobrecargue el generador" 3. Contacte a un servicio autorizado. 4. Contacte a un servicio autorizado.
El motor no arranca, o arranca pero funciona en forma áspera.	<ol style="list-style-type: none"> 1. El cierre de combustible está en OFF. 2. Filtro de aire sucio. 3. Falta gasolina. 4. Gasolina pasada. 5. El cable de la bujía no está conectado a esta. 6. Bujías en mal estado. 7. Agua en la gasolina. 8. Exceso de choke. 9. Nivel de aceite bajo 10. Mezcla de combustible demasiado rica. 11. Válvula de entrada atascada o cerrada. 12. El motor ha perdido compresión. 	<ol style="list-style-type: none"> 1. Gire el cierre de combustible a ON. 2. Limpie o reemplace el filtro de aire. 3. Llene el tanque de combustible. 4. Drene y llene el tanque de combustible con gasolina fresca. 5. Conecte el cable a la bujía. 6. Reemplace la bujía. 7. Drene y llene el tanque de combustible con gasolina fresca. 8. Coloque la palanca de choke en posición No Choke. 9. Llene el cárter en el nivel apropiado. 10. Contacte a un servicio autorizado. 11. Contacte a un servicio autorizado. 12. Contacte a un servicio autorizado.
El motor se apaga durante la operación.	<ol style="list-style-type: none"> 1. Falta gasolina. 2. Nivel de aceite bajo 3. Falla en el motor. 	<ol style="list-style-type: none"> 1. Llene el tanque de combustible. 2. Llene el cárter en el nivel apropiado. 3. Contacte a un servicio autorizado.
El motor pierde potencia.	<ol style="list-style-type: none"> 1. La carga es demasiado alta. 2. Filtro de aire sucio. 3. El motor necesita servicio. 	<ol style="list-style-type: none"> 1. Reduzca la carga (Vea "No sobrecargue el generador"). 2. Limpie o reemplace el filtro de aire. 3. Contacte a un servicio autorizado.
El motor se pierde o tartamudea.	<ol style="list-style-type: none"> 1. El choke está abierto demasiado pronto 2. El carburador está funcionando muy rico o muy raro. 	<ol style="list-style-type: none"> 1. Mueva el choke a la posición media hasta que el motor funcione suavemente. 2. Contacte a un servicio autorizado.

DECLARACIÓN DE GARANTÍA DE CONTROL DE EMISIONES SUS DERECHOS Y OBLIGACIONES DE GARANTÍA

La Agencia de protección ambiental de los Estados Unidos (EPA) y Generac Power Systems, Inc. (Generac) se complacen en explicar la garantía del sistema de control de emisiones para su nuevo equipo del año 2008 o posterior. Equipo nuevo que use motores pequeños de chispa deben estar diseñados, construidos y equipados para cumplir estándares anti-smog muy exigentes para el gobierno federal. Generac garantizará los sistemas de emisión en su motor por el periodo de tiempo listado abajo siempre que no haya abuso, negligencia, modificación o mantenimiento inapropiado de su equipo.

Su sistema de control de emisión puede incluir partes como: carburador, sistema de ignición, sistema de combustible, convertidor catalítico, y otros componentes asociados relacionados a la emisión (si los tuviera).

COBERTURA DE LA GARANTÍA DEL FABRICANTE:

Este sistema de control de emisión está garantizado por dos años. Si durante este periodo de garantía se encuentra que cualquier parte relacionada a las emisiones está defectuosa en materiales o mano de obra, se efectuará las reparaciones o el intercambio por parte de un concesionario de servicio autorizado de Generac.

RESPONSABILIDADES DE GARANTÍA DEL PROPIETARIO:

Como propietario del generador, usted es responsable de completar todos los mantenimientos requeridos tal como se lista en el manual del propietario proporcionado por la fábrica. Para propósitos de garantía, Generac recomienda que usted conserve todos los recibos que cubren el mantenimiento de su generador, pero Generac no puede rehusar la garantía sólo debido a la falta de recibos.

Como propietario del generador, usted deberá ser consciente de que Generac puede negar cualquier y/o todas las coberturas y responsabilidades de la garantía si su generador, o una parte o componente del mismo, ha fallado debido al abuso, negligencia, mantenimiento inapropiado o modificaciones no aprobadas, o el uso de repuestos falsos o del mercado negro no fabricados, suministrados o aprobados por Generac.

Usted es responsable de contactar a un concesionario autorizado de garantía de Generac tan pronto se presente el problema. Las reparaciones de garantía deberán completarse en un tiempo razonable, sin exceder los 30 días.

El servicio de garantía puede arreglarse contactando ya sea a su concesionario de venta o a un concesionario de servicio de garantía autorizado de Generac. Para ubicar al concesionario de servicio de garantía autorizado de Generac más cercano a usted, llame a nuestro número gratuito.

1-800-333-1322

NOTA IMPORTANTE: Esta declaración de garantía explica sus derechos y obligaciones bajo la Garantía del sistema de control de emisiones (ECS Warranty), que Generac le proporciona Generac siguiendo las leyes federales. También vea "Garantías limitadas de Generac para los sistemas de potencia de Generac, Inc." que se adjunta a este manual en una hoja separada, también proporcionada a usted por Generac. Tenga en cuenta que esta garantía no se aplicará a ningún daño incidental, consecuencial o indirecto causado por defectos en los materiales y mano de obra, o cualquier retraso en reparar o reemplazar las partes defectuosas. Esta garantía reemplaza a todas las otras garantías, expresas o implícitas. **ESPECÍFICAMENTE, GENERAC NO OFRECE OTRAS GARANTÍAS COMO DE MERCANTIBILIDAD O ADECUACIÓN A UN USO PARTICULAR.** Algunos estados no permiten limitaciones en cuánto dura una garantía implícita, de modo que la limitación expresada arriba puede no aplicarse a usted.

La garantía ECS se aplica sólo al sistema de control de emisiones de su nuevo equipo. Si hay algún conflicto en términos entre la garantía ECS y la garantía de Generac, se aplicará la de Generac. Ambas garantías describen derechos y obligaciones importantes respecto a su nuevo motor.

El servicio de garantía puede ser realizado sólo por un servicio de garantía autorizado de Generac. Cuando se requiera servicio de garantía, se debe presentar evidencia que muestre la fecha de venta al comprador/propietario original.

Si usted tuviera alguna pregunta respecto a sus derechos y responsabilidades de garantía, deberá ponerse en contacto con Generac en la siguiente dirección:

**ATENCIÓN DEPARTAMENTO DE GARANTÍAS
GENERAC POWER SYSTEMS, INC.
P.O. BOX 297 • WHITEWATER, WI 53190**

GARANTÍA DEL SISTEMA DE CONTROL DE EMISIONES

Garantía de sistema de control de emisiones (garantía ECS) para equipo que usa motores pequeños de chispa.

- (a) **Aplicabilidad:** Esta garantía se aplica a equipo que utiliza motores pequeños para fuera de pista. El periodo de garantía ECS empezará en la fecha en que el equipo nuevo es comprado por o entregado a su propietario/comprador final original y continuará por los siguientes 24 meses consecutivos.
- (b) **Cobertura general de la garantía de emisiones:** Generac garantiza al propietario/comprador final original del motor o equipamiento nuevo y a cada subsiguiente comprador/propietario que el ECS cuando se instaló estuvo:
 - (1) Diseñado, construido y equipado para cumplir con todas las regulaciones aplicables: y
 - (2) Libre de defectos en materiales y mano de obra que cause la falla de una parte garantizada en cualquier momento durante el periodo de garantía ECS.
- (c) **La garantía sobre partes relacionadas a la emisión se interpretarán como sigue:**
 - (1) Cualquier parte garantizada que no esté programada para reemplazo como mantenimiento requerido en el Manual del propietario será garantizada en el periodo de garantía ECS. Si fallara cualquier parte durante el periodo de garantía ECS, deberá ser reparado o reemplazado por Generac de acuerdo a la Subsección (4) más abajo. Cualquier parte así reparada o reemplazada bajo la garantía ECS deberá ser garantizada por el resto del periodo de garantía ECS.
 - (2) Cualquier parte garantizada que esté programada sólo para inspección regular como se especifica en el Manual del propietario será garantizada en el periodo de garantía ECS. Una declaración en el manual del propietario a efecto de "reparar o reemplazar según sea necesario" no reducirá el periodo de garantía ECS. Cualquier parte así reparada o reemplazada bajo la garantía ECS deberá ser garantizada por el resto del periodo de garantía ECS.
 - (3) Cualquier parte garantizada que esté programada para reemplazo según lo requiera el mantenimiento en el Manual del Propietario deberá ser garantizado por el periodo de tiempo antes del primer punto de reemplazo programado para esa parte. Si la parte falla antes del primer reemplazo programado, la parte será reparada o reemplazada por Generac de acuerdo a la Subsección (4) más abajo. Cualquier parte relacionada a las emisiones así reparada o reemplazada bajo la garantía ECS será garantizada por el resto del periodo antes del primer punto de reemplazo programado para aquella parte.
 - (4) La reparación o reemplazo de cualquier parte garantizada relacionada a las emisiones bajo esta garantía ECS deberá realizarse sin costo alguno para el propietario en un centro de servicio de garantía autorizado por Generac.
 - (5) No obstante las disposiciones de la subsección (4) arriba indicadas, los servicios o reparaciones por garantía deben ser proporcionados en una instalación de servicio autorizada por Generac.
 - (6) Cuando el motor sea inspeccionado por un centro de servicio de garantía autorizado de Generac, el propietario/comprador no será responsable de los costos de diagnóstico si la reparación se considera dentro de la garantía.
 - (7) A lo largo del periodo de garantía ECS, Generac mantendrá un suministro de partes garantizadas relacionadas a las emisiones suficiente para cumplir la demanda esperada para tales repuestos.
 - (8) Cualquier repuesto relacionado a la emisión autorizado y aprobado por Generac puede usarse en la ejecución de cualquier reparación o mantenimiento de garantía ECS y se proporcionará sin costo al comprador/propietario. Dicho uso no reducirá las obligaciones de garantía ECS de Generac.
 - (9) Los repuestos no aprobados, añadidos, modificados, falsos y/o del mercado negro no se pueden usar para modificar o reparar un motor Generac. Dicho uso invalida esta garantía ECS y será base suficiente para no aceptar un reclamo por garantía ECS. Generac no podrá ser declarado responsable por fallas de cualquier parte garantizada de un equipo Generac causadas por el uso de tales repuestos no aprobados, añadidos, modificados, falsos y/o del mercado negro.

LAS PARTES RELACIONADAS A LA EMISIÓN PUEDEN INCLUIR LO SIGUIENTE (SI SE TIENE):

- | | |
|---------------------------------------------------------------------------------------------------------------------------------------------------------------------------------------------------------------------------------------------------------------------------------------------------------------------------------------------------------------------------------------------------------------------------------------------------------------------------------------------------------------------------------------------|-------------------------------------------------------------------------------------------------------------------------------------------------------------------------------------------------------------------------------------------------------------------------------------------------------------------------------------------------------------|
| <ol style="list-style-type: none"> 1) SISTEMA DE MEDICIÓN DE COMBUSTIBLE <ol style="list-style-type: none"> A. CARBURADOR Y PARTES INTERNAS B. REGULADOR DE PRESIÓN 2) SISTEMA DE INDUCCIÓN DE AIRE <ol style="list-style-type: none"> A. DISTRIBUIDOR DE ENTRADA B. FILTRO DE AIRE 3) SISTEMA DE IGNICIÓN <ol style="list-style-type: none"> A. BUJÍAS B. BOBINAS/MÓDULO DE IGNICIÓN | <ol style="list-style-type: none"> 4) SISTEMA DE INYECCIÓN DE AIRE <ol style="list-style-type: none"> A. VÁLVULA DE AIRE DE PULSO 5) SISTEMA DE ESCAPE <ol style="list-style-type: none"> A. CATALIZADOR B. REACTOR TÉRMICO C. DISTRIBUIDOR DE ESCAPE |
|---------------------------------------------------------------------------------------------------------------------------------------------------------------------------------------------------------------------------------------------------------------------------------------------------------------------------------------------------------------------------------------------------------------------------------------------------------------------------------------------------------------------------------------------|-------------------------------------------------------------------------------------------------------------------------------------------------------------------------------------------------------------------------------------------------------------------------------------------------------------------------------------------------------------|

Parte 2

Parte No. 0H1911 Rev. A 01/09

Garantía

GARANTÍA LIMITADA DE “DOS AÑOS” DE SISTEMAS DE POTENCIA GENERAC PARA GENERADORES PORTÁTILES SERIE GP

Por un periodo de dos años desde la fecha de la venta original, Generac Power Systems, Inc. (Generac) garantiza sus generadores serie GP como libres de defectos en materiales y mano de obra por los ítems y periodos indicados abajo. Generac, a su opción, reparará o reemplazará cualquier parte que, luego de un examen, inspección y pruebas realizadas por un concesionario de servicio de garantía autorizado de Generac, se encuentre que está defectuoso. Cualquier equipo que el comprador/propietario reclame como defectuoso debe ser regresado a y examinado por el concesionario de servicio de garantía autorizado por Generac más cercano. Todos los costos de transporte bajo la garantía, incluyendo el retorno a la fábrica, serán por cuenta y prepagados por el propietario/comprador. Esta garantía se aplica sólo a los generadores portátiles serie GP de Generac y no es transferible del propietario original. Guarde su comprobante de compra. Si usted no proporciona una prueba de la fecha de la compra inicial, se usará la fecha de embarque del producto del fabricante para determinar el periodo de garantía.

PROGRAMACIÓN DE GARANTÍA

Las aplicaciones para consumidor están garantizadas por (2) años. Las aplicaciones comerciales y de alquiler están garantizadas por un (1) año o 1000 horas como máximo, lo que llegue primero.

APLICACIÓN PARA CONSUMIDOR

AÑO UNO - 100% (cien por ciento) de cobertura en mano de obra y repuestos (se requiere comprobante de compra y mantenimiento):

- Todos los componentes

AÑO DOS- 100% (cien por ciento) de cobertura en repuestos (se requiere comprobante de compra y mantenimiento):

- Todos los componentes

APLICACIÓN COMERCIAL / DE ALQUILER

AÑO UNO – 100% (cien por ciento, O 1,000 horas, lo que ocurra primero) de cobertura en mano de obra y repuestos (se requiere comprobante de compra y mantenimiento):

- Todos los componentes

INTERNACIONAL

AÑO UNO (o 1000 horas, lo que ocurra primero) – Cobertura amplia limitada en mano de obra y partes listadas.

- TODOS LOS COMPONENTES

NOTA: Para el propósito de esta garantía “uso de consumidor” significa uso personal en casa residencial o recreacional por el comprador original. La garantía no aplica a unidades usadas para Fuente Primaria de Energía en lugar del servicio público donde el servicio público se encuentre presente o donde el servicio público de energía no exista normalmente. Una vez que el generador ha experimentado uso comercial o de alquiler, se le considerará en adelante un generador no para uso del consumidor para propósitos de esta garantía.

Todos los gastos por garantía están sujetos a las condiciones definidas en el Manual de política de servicio de Generac.

ESTA GARANTÍA NO SE APLICARÁ A LO SIGUIENTE:

- Generadores portátiles construidos por Generac antes de Junio de 2010.
- Generadores portátiles de Generac que utilizan repuestos que no son de Generac.
- Costos de mantenimiento normal y ajustes.
- Fallas causadas por combustibles o aceites contaminados, o la falta de niveles apropiados.
- Reparaciones o diagnósticos realizados por individuos diferentes a los concesionarios autorizados por Generac que no estén autorizados por escrito por Generac Power Systems.
- Fallas debido a, pero no limitándose a, el uso y desgaste normal, accidente, mal uso, abuso, negligencia o uso inapropiado. Como todo dispositivo mecánico, los motores Generac necesitan servicio y repuestos periódicamente para funcionar como están diseñados. Esta garantía no cubre reparaciones cuando el uso normal ha agotado la vida útil de una parte o motor.
- Las fallas causadas por cualquier causa externa o acto de Dios, como colisión, robo, vandalismo, disturbios o guerra, holocausto nuclear, incendio, congelamiento, electricidad atmosférica, terremoto, tormentas, granizo, erupción volcánica, agua o inundaciones, tornados o huracanes.
- El daño relacionado a roedores y/o plaga de insectos.
- Los productos que son modificados o alterados de manera no autorizada por Generac por escrito.
- Cualquier daño incidental, consecuencial o indirecto causado por defectos en los materiales y mano de obra, o cualquier retraso en reparar o reemplazar las partes defectuosas.
- Falla debido a una mala aplicación.
- Gastos de teléfono, teléfono celular, fax, acceso a internet u otros gastos de comunicación.
- Gastos relacionados a “instrucciones del cliente” o detección de problemas donde no se encuentre defecto de fábrica.
- Equipo de alquiler usado mientras se realiza las reparaciones de garantía.
- Flete de un día para otro o costos especiales de embarque para los repuestos.
- Sobre tiempos, vacaciones o trabajo de emergencia.
- Baterías de arranque, fusibles, bombillos de luz y fluidos de motor.

ESTA GARANTÍA REEMPLAZA A TODAS LAS OTRAS GARANTÍAS, EXPRESAS O IMPLÍCITAS. ESPECÍFICAMENTE, GENERAC NO OFRECE OTRAS GARANTÍAS COMO DE MERCANTIBILIDAD O ADECUACIÓN A UN USO PARTICULAR. Cualquier garantía implícita permitida por ley, estará limitada en duración a los términos de la garantía expresa dispuesta aquí. Algunos estados no permiten limitaciones en cuánto dura una garantía implícita, de modo que la limitación expresada arriba puede no aplicarse a usted. LA ÚNICA RESPONSABILIDAD DE GENERAC SERÁ LA REPARACIÓN O REEMPLAZO DE LAS PARTES TAL COMO SE ESPECIFICA ARRIBA. EN NINGÚN CASO GENERAC SERÁ RESPONSABLE POR CUALQUIER DAÑO INCIDENTAL O CONSECUENCIAL, AÚN SI TALES DAÑOS SEAN UN RESULTADO DIRECTO DE UNA NEGLIGENCIA DE GENERAC. Algunos estados no permiten la exclusión o limitación de daños accidentales o resultantes, de modo que la limitación mencionadas más arriba podrían no aplicarse a usted. Esta garantía le da a usted derechos legales específicos. Usted también tiene otros derechos dependiendo del Estado.

GENERAC POWER SYSTEMS, INC.

P.O. BOX 8 • Waukesha, WI 53187

Tel: (888) GENERAC (436-3722) • Fax: (262) 544-4851

Para ubicar al concesionario autorizado más cercano visite nuestro sitio web: www.generac.com

Parte No. 0H8902

Revisión A (05/19/10)

MODÈLES : 005938-0, 005939-0,
005940-0, 005941-0

Manuel d'entretien Générateur portable série GP

GARANTIE
LIMITÉE DE
2 ANS

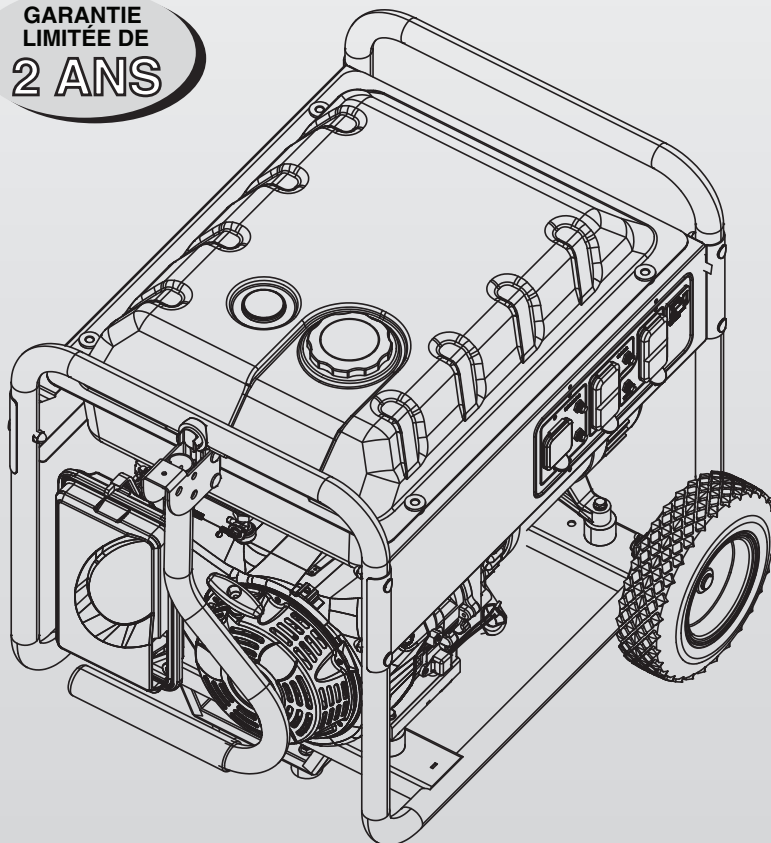


Table des matières

Introduction.....	39	Maintenance	41
Lire attentivement ce manuel.....	39	3.1 Programme de maintenance.....	41
Règles de sécurité.....	39	3.2 Caractéristiques techniques des produits.....	48
Index des normes.....	41	3.2.1 Caractéristiques techniques du générateur	48
Informations générales.....	41	3.2.2 Caractéristiques techniques du moteur.....	48
1.1 Déballage.....	41	3.2.3 Informations relatives aux émissions.....	48
1.1.1 Boîte d'accessoires.....	41	3.3 Recommandations générales.....	48
1.2 Montage.....	41	3.3.1 Maintenance du générateur	48
1.2.1 Montage du kit d'accessoires.....	41	3.3.2 Nettoyage du générateur	48
1.2.2 Branchement du démarreur (démarrage électrique uniquement).....	41	3.3.3 Maintenance du moteur	48
Fonctionnement	41	3.3.4 Vérification du niveau d'huile	49
2.1 Bien connaître le générateur.....	41	3.3.5 Changement de l'huile.....	49
2.2 Horomètre.....	42	3.3.6 Remplacement des bougies d'allumage.....	49
2.3 Cordons et connecteurs	44	3.4 Entretien du filtre à air	49
2.3.1 Prise double, 120 V c.a., 20 A	44	3.5 Jeu des soupapes	49
2.3.2 Prise 120/240 V c.a., 30 A	44	3.6 Généralités.....	50
2.4 Utilisation du générateur.....	44	3.7 Stockage à long terme	50
2.4.1 Mise à la terre du générateur.....	44	3.8 Autres conseils de stockage.....	50
2.4.2 Branchement des charges électriques	44	Dépannage	51
2.5 Ne pas surcharger le générateur.....	45	4.1 Guide de dépannage.....	51
2.6 Guide de référence de wattage	45	Garantie	52
2.7 Avant le démarrage du générateur	45		
2.7.1 Ajout de l'huile de moteur.....	45		
2.7.2 Ajout de l'essence.....	46		
2.8 Démarrage des moteurs à démarrage manuel.....	46		
2.9 Démarrage des moteurs à démarrage électrique.....	47		
2.10 Arrêt du moteur.....	47		
2.11 Système d'arrêt de bas niveau d'huile	47		
2.11.1 Détection de bas niveau d'huile.....	47		

INTRODUCTION

Nous vous remercions d'avoir acheté ce modèle fabriqué par Generac Power Systems, Inc. Ce modèle est un générateur entraîné par moteur compact, à haute performance, refroidi à l'air, conçu pour fournir l'alimentation électrique afin de faire fonctionner les charges électriques lorsqu'aucun réseau électrique n'est disponible ou à la place du réseau en raison d'une coupure de courant.

LIRE ATTENTIVEMENT CE MANUEL

En cas d'incompréhension d'une partie de ce manuel, contacter le dépositaire agréé le plus proche pour connaître les procédures de démarrage, de fonctionnement et d'entretien.

L'opérateur est responsable de l'utilisation correcte et sûre de l'équipement. Nous recommandons fortement à l'opérateur de lire ce manuel et de comprendre complètement toutes les instructions avant d'utiliser l'équipement. Nous recommandons également fortement d'apprendre à d'autres utilisateurs comment correctement démarrer et faire fonctionner l'unité. Cela les prépare au cas où ils auraient besoin de faire fonctionner l'équipement pour une urgence.

Le générateur peut fonctionner en toute sécurité, de façon efficace et de façon fiable uniquement s'il est correctement installé, utilisé et entretenu. Avant de faire fonctionner ou d'effectuer l'entretien du générateur :

- Se familiariser avec et respecter strictement tous les codes et réglementations locaux, d'État et nationaux.
- Lire attentivement tous les avertissements de sécurité figurant dans ce manuel et sur le produit.
- Se familiariser avec ce manuel et l'unité avant de l'utiliser.

Le fabricant ne peut pas anticiper toutes les situations possibles qui peuvent impliquer un danger. Les avertissements de ce manuel et figurant sur les étiquettes et les autocollants apposés sur l'unité ne sont, toutefois, pas exhaustifs. Si vous suivez une procédure, une méthode de travail ou une technique de fonctionnement que le fabricant ne recommande pas en particulier, assurez-vous qu'elle est sans danger pour les autres. S'assurer que la procédure, la méthode de travail ou la technique de fonctionnement choisie ne rende pas le générateur dangereux.

LES INFORMATIONS CONTENUES DANS LE PRÉSENT MANUEL SE BASENT SUR LES MACHINES EN PRODUCTION AU MOMENT DE LA PUBLICATION. GENERAC SE RÉSERVE LE DROIT DE MODIFIER CE MANUEL À TOUT MOMENT.

RÈGLES DE SÉCURITÉ

Dans tout ce manuel, et sur les étiquettes et sur les autocollants apposés sur le générateur, les blocs DANGER, AVERTISSEMENT, ATTENTION et REMARQUE servent à alerter le personnel d'instructions spéciales au sujet d'une opération spécifique qui peut s'avérer dangereuse si elle n'est pas effectuée correctement ou avec précaution. Les respecter attentivement. Leurs définitions sont les suivantes :

▲ DANGER !

INDIQUE UNE SITUATION OU UNE ACTION DANGEREUSE QUI, SI ELLE N'EST PAS ÉVITÉE, ENTRAÎNERA LA MORT OU DES BLESSURES GRAVES.

▲ AVERTISSEMENT !

Indique une situation ou une action dangereuse qui, si elle n'est pas évitée, pourrait entraîner la mort ou des blessures graves.

▲ ATTENTION !


Indique une situation ou une action dangereuse qui, si elle n'est pas évitée, entraînera des blessures légères ou modérées.

REMARQUE :

Les remarques contiennent des informations supplémentaires importantes relatives à une procédure et se trouvent dans le corps de texte régulier de ce manuel.

Ces avertissements de sécurité ne peuvent pas éliminer les dangers qu'ils signalent. Le sens commun et le respect strict des instructions spéciales lors de l'action ou l'entretien sont essentiels pour éviter les accidents.

Quatre symboles de sécurité couramment utilisés accompagnent les blocs **DANGER, AVERTISSEMENT** et **ATTENTION**. Chacun indique le type d'informations suivant :

 **Ce symbole indique des informations importantes relatives à la sécurité qui, si elles ne sont pas suivies, pourraient mettre en danger la sécurité personnelle et/ou les biens.**

 **Ce symbole indique un risque potentiel d'explosion.**

 **Ce symbole indique un risque potentiel d'incendie.**

 **Ce symbole indique un risque potentiel d'électrocution.**

DANGERS GÉNÉRAUX

- Ne jamais faire fonctionner dans un espace clos ou à l'intérieur.
- Pour des raisons de sécurité, le fabricant recommande que la maintenance de cet équipement soit effectuée par un dépositaire agréé. Inspecter régulièrement le générateur et contacter le dépositaire agréé le plus proche pour les pièces qui nécessitent une réparation ou un remplacement.
- Faire fonctionner le générateur uniquement sur des surfaces de niveau et où il ne sera pas exposé à l'humidité, aux saletés, à la poussière ou aux vapeurs corrosives excessives.
- Tenir les mains, les pieds, les vêtements, etc., à distance des courroies de transmission, des ventilateurs et d'autres pièces mobiles. Ne jamais retirer tout protège-ventilateur pendant que l'unité fonctionne.
- Certaines pièces du générateur deviennent extrêmement chaudes pendant le fonctionnement. Rester à distance du générateur tant qu'il n'a pas refroidi afin d'éviter des brûlures graves.
- NE PAS faire fonctionner le générateur sous la pluie.
- Ne pas modifier la construction du générateur ni les commandes, ce qui pourrait créer une condition de fonctionnement dangereuse.
- Ne jamais démarrer ou arrêter l'unité avec les charges électriques branchées aux prises ET avec des dispositifs branchés sous tension. Démarrer le moteur et le laisser se stabiliser avant de brancher les charges électriques. Débrancher toutes les charges électriques avant d'arrêter le générateur.
- Ne pas insérer d'objet dans les fentes de refroidissement de l'unité.
- Lors du travail sur cet équipement, conserver l'alerte à tout moment. Ne jamais travailler sur l'équipement en cas de fatigue physique ou mentale.
- Ne jamais utiliser le générateur ou n'importe laquelle de ses pièces comme marche. Monter sur l'unité peut écraser et casser les pièces, et peut entraîner des conditions de fonctionnement dangereuses suite à une fuite de gaz d'échappement, une fuite de carburant, une fuite d'huile, etc.

Règles de sécurité

- Sur les modèles à démarrage électrique, débrancher le câble de batterie POSITIF (+) du démarreur du moteur OU le câble de batterie NÉGATIF (-) de la borne de la batterie, ce qui est le plus facile, avant de transporter le générateur.

REMARQUE :

Le générateur est équipé d'un silencieux pare-étincelles. Le propriétaire / l'opérateur du générateur devra garder le pare-étincelles en bon état. Dans l'État de Californie, un pare-étincelles est exigé par la loi (Section 4442 du California Public Resources Code (Code de ressources publiques de Californie)). Les autres États peuvent avoir des lois similaires. Les lois fédérales s'appliquent sur les terres fédérales.

DANGERS D'ÉCHAPPEMENT ET D'EMPLACEMENT

- **Ne jamais faire fonctionner dans un espace clos ou à l'intérieur. NE JAMAIS utiliser à l'intérieur ou dans des espaces partiellement clos tels que les garages, même si les portes et les fenêtres sont ouvertes ! Utiliser UNIQUEMENT à l'extérieur et loin des fenêtres, portes ouvertes, ventilations, et dans un espace dans lequel le gaz d'échappement ne s'accumulera pas de façon mortelle.**

 DANGER	
Utiliser un générateur à l'intérieur PEUT VOUS TUER EN QUELQUES MINUTES. Les gaz d'échappement du générateur contiennent du monoxyde de carbone. C'est un gaz toxique invisible et inodore.	
 NE JAMAIS utiliser à l'intérieur d'une maison ou d'un garage, MÊME SI les portes et les fenêtres sont ouvertes.	 Utiliser UNIQUEMENT à l' EXTÉRIEUR et loin des fenêtres, portes et ventilations.

- Les fumées d'échappement du moteur contiennent du monoxyde de carbone, un gaz toxique invisible et inodore. Ce gaz toxique, s'il est respiré en concentrations suffisantes, peut entraîner une perte de conscience ou même la mort.
- Un débit approprié, non obstrué d'air de refroidissement et de ventilation est important pour corriger le fonctionnement du générateur. Ne pas modifier l'installation ou ne pas laisser même un blocage partiel de l'alimentation de ventilation, étant donné que cela peut sérieusement affecter le fonctionnement sûr du générateur. Il FAUT faire fonctionner le générateur à l'extérieur.
- Ce système d'échappement doit être correctement entretenu. Ne rien faire qui pourrait rendre le système d'échappement dangereux ou non conforme aux codes locaux et/ou normes locales.
- Toujours utiliser un détecteur d'oxyde de carbone à alimentation par batterie à l'intérieur, conformément aux instructions du fabricant.
- Si vous commencez à vous sentir malade, à avoir des étourdissements ou à vous sentir faible après le fonctionnement du générateur, respirez de l'air frais IMMÉDIATEMENT. Consultez un médecin car vous pourriez avoir été empoisonné au monoxyde de carbone.

DANGERS ÉLECTRIQUES

- Le générateur produit une tension dangereusement haute pendant son fonctionnement. Éviter le contact avec les fils nus, les bornes, les branchements, etc., pendant le fonctionnement de l'unité, même sur l'équipement branché au générateur. S'assurer que tous les couvercles, les dispositifs de protection et les barrières sont en place avant de faire fonctionner le générateur.
- Ne jamais manipuler tout type de cordon ou de dispositif électrique qui est dans l'eau, alors que vous êtes pieds nus ou que vos mains ou vos pieds sont mouillés. **CELA ENTRAÎNERA UN RISQUE D'ÉLECTROCUTION.**
- Le National Electric Code (Code électrique national) exige que le bâti et que les pièces externes électriquement conductrices du générateur soient correctement reliés à une terre approuvée. Les codes électriques locaux peuvent également exiger la bonne mise à la terre du générateur. Consulter un électricien local pour connaître les exigences de mise à la terre dans la région.
- Utiliser un disjoncteur de fuite à la terre dans toute zone humide ou très conductrice (telle que le carter protecteur métallique ou l'aciérie).
- Ne pas utiliser de cordons électriques usés, nus, effilochés ou autrement endommagés avec le générateur.
- Avant d'effectuer toute maintenance sur le générateur, débrancher la batterie de démarrage du moteur (le cas échéant) afin d'empêcher un démarrage accidentel. Débrancher le câble de la borne de la batterie signalée par l'inscription NEGATIVE (Négatif), NEG ou le signe (-) en premier. Rebrancher ce câble en dernier.
- En cas d'accident causé par électrocution, couper immédiatement la source d'alimentation électrique. Si cela est impossible, essayer de libérer la victime du conducteur sous tension. **ÉVITER TOUT CONTACT DIRECT AVEC LA VICTIME.** Utiliser un objet non conducteur, comme une corde ou une planche, pour libérer la victime du conducteur sous tension. Si la victime est inconsciente, assurer les premiers secours et demander une aide médicale immédiate.

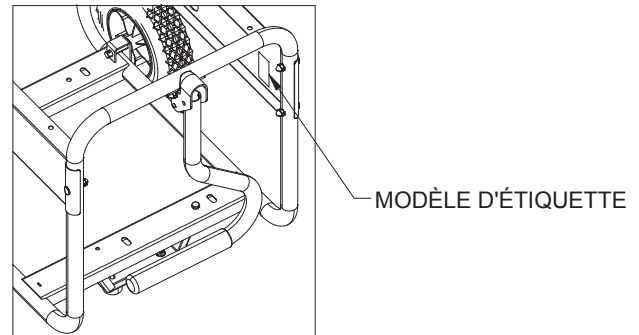
RISQUES D'INCENDIE

- **L'essence est extrêmement INFLAMMABLE et ses vapeurs sont EXPLOSIVES. Ne pas produire de fumée, flammes nues, étincelles ou chaleur à proximité de l'endroit où l'essence est manipulée.**
- Ne jamais ajouter de carburant lorsque l'unité fonctionne ou est chaude. Laisser le moteur complètement refroidir avant d'ajouter du carburant.
- **Ne jamais remplir le réservoir d'essence à l'intérieur.** Respecter toutes les lois réglementant le stockage et la manipulation de l'essence.
- **Ne pas trop remplir le réservoir d'essence. Toujours laisser de la place pour l'expansion du carburant.** En cas de suremplissage du réservoir, le carburant peut déborder sur un moteur chaud et entraîner un INCENDIE ou une EXPLOSION. Ne jamais stocker le générateur avec le réservoir rempli de carburant étant donné que les vapeurs d'essence pourraient atteindre une flamme ouverte, des étincelles ou une veilleuse (comme il y en a sur une chaudière, un chauffe-eau ou sur un sèche-linge). Cela peut entraîner un INCENDIE ou une EXPLOSION. Laisser l'unité complètement refroidir avant le stockage.
- Nettoyer immédiatement toute éclaboussure de carburant ou d'huile. S'assurer qu'aucune matière combustible ne reste sur ou à proximité du générateur. Garder l'espace environnant du générateur propre et sans débris et garder un jeu de cinq (5) pieds sur tous les côtés afin de permettre une aération adaptée du générateur.

- Ne pas insérer d'objet dans les fentes de refroidissement de l'unité.
- **Ne pas** faire fonctionner le générateur si des dispositifs électriques branchés surchauffent ; si la puissance électrique est perdue ; si le moteur ou le générateur fait des étincelles ; si des flammes ou de la fumée sont détectées alors que l'unité fonctionne.
- Garder un extincteur à proximité du générateur à tout moment.

N° DE MODÈLE :	
N° DE SÉRIE :	

Emplacement ID de l'unité



INDEX DES NORMES

En l'absence de normes, codes, réglementations et lois applicables, les informations publiées indiquées ci-dessous peuvent servir de directive pour le fonctionnement de cet équipement. Toujours se reporter à la dernière révision disponible pour les normes indiquées.

1. NFPA N° 70, NFPA HANDBOOK OF NATIONAL ELECTRIC CODE (Manuel NFPA du code électrique national).
2. Article X, NATIONAL BUILDING CODE (Code de construction national), disponible auprès de l'American Insurance Association, 85 John Street, New York, N.Y. 10038.
3. AGRICULTURAL WIRING HANDBOOK (Manuel de câblage agricole), disponible auprès du Food and Energy Council, 909 University Avenue, Columbia, MO 65201.
4. ASAE EP-3634, INSTALLATION AND MAINTENANCE OF FARM STANDBY ELECTRICAL SYSTEMS (Installation et maintenance des systèmes électriques de secours pour les fermes), disponible auprès de l'American Society of Agricultural Engineers, 2950 Niles Road, St. Joseph, MI 49085.

AVERTISSEMENT PROPOSITION 65 CALIFORNIE

L'échappement du moteur et certains de ses constituants sont susceptibles selon l'État de Californie d'entraîner des cancers, des malformations congénitales ou pouvant être nocifs pour le système reproductif.

AVERTISSEMENT PROPOSITION 65 CALIFORNIE

Ce produit contient ou émet des produits chimiques susceptibles selon l'État de Californie d'entraîner des cancers, des malformations congénitales ou autres maladies pouvant être nocives pour le système reproductif.

1.1 DÉBALLAGE

- Retirer tous les éléments d'emballage.
- Enlever la boîte d'accessoires séparée.
- Retirer le générateur du carton.

1.1.1 BOÎTE D'ACCESSOIRES

Vérifier le contenu de la boîte. Si des pièces sont absentes ou endommagées, merci de localiser un dépositaire agréé au 1-888-436-3722.

- | | |
|-------------------------------------------------|--------------------------------------------------------------|
| • 1 - Manuel d'entretien | • 1 - Poignée |
| • 1 - Litre d'huile SAE 30 | • 1 - Pied du bâti |
| • 2 - Roues jamais plates | • 1 - Chargeur de batterie (démarrage électrique uniquement) |
| • 1 - Sac de matériel (contenant ce qui suit) : | |
| • 2 - Pieds en caoutchouc | • 2 - Boulons M8 (longs) |
| • 2 - Axes d'essieu de 0,5 po. | • 2 - Boulons M8 (courts) |
| • 2 - Goupilles fendues | • 2 - Écrous borgnes M8 |
| • 2 - Rondelles plates de 0,5 po. | • 4 - Écrous à collet hexagonal M8 |

1.2 MONTAGE

Il est nécessaire d'effectuer quelques étapes de montage avant d'utiliser le générateur. Si des problèmes se présentent lors du montage du générateur, merci d'appeler la ligne d'assistance pour les générateurs au 1-888-77LOWES.

1.2.1 MONTAGE DU KIT D'ACCESSOIRES

Les roues sont conçues dans l'unité pour améliorer considérablement la portabilité du générateur.

Vous aurez besoin des outils suivants pour correctement installer le kit :

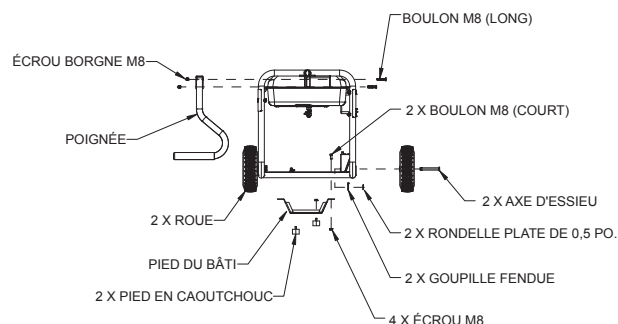
- Pincés à bec effilé
- Cliquet et une douille de 13 mm (0,5 po.)
- Clé polygonale de 13 mm (0,5 po.)

REMARQUE :

Les roues ne sont pas conçues pour une utilisation sur la route.

1. Se reporter au Schéma 1 et installer les roues comme suit :
 - Faire glisser les axes d'essieu à travers la roue, la rondelle plate de 0,5 po. et le support de la roue sur le bâti.
 - Insérer la goupille fendue à travers l'axe d'essieu, puis plier les languettes (des goupilles fendues) vers l'extérieur afin de les fixer.
2. Se reporter au Schéma 1 et installer le pied du bâti et les butoirs en caoutchouc comme indiqué.
 - Faire glisser les axes des butoirs en caoutchouc à travers le pied du bâti, puis installer les écrous à collet de blocage.
 - Faire glisser les boulons à tête hexagonale à travers les rondelles plates à travers les trous dans le longeron de cadre de châssis.
 - Faire glisser le pied du bâti sur les boulons à tête hexagonale, puis installer les écrous à collet de blocage.
3. Se reporter au Schéma 1 et installer la poignée comme indiqué.
 - Faire glisser les boulons longs à travers le support de poignée et la poignée, puis installer les écrous hexagonaux.

Schéma 1 – Roue et poignée



1.2.2 BRANCHEMENT DU DÉMARREUR (DÉMARRAGE ÉLECTRIQUE UNIQUEMENT)

L'unité a été envoyée avec le câble de démarreur débranché.

Pour brancher le démarreur :

1. Localiser le câble de démarreur.
2. Rabattre la protection en vinyle sur le câble de démarreur.
3. Retirer l'écrou et la rondelle du montant du démarreur.
4. Placer le câble de démarreur sur le montant et remettre la rondelle et l'écrou.

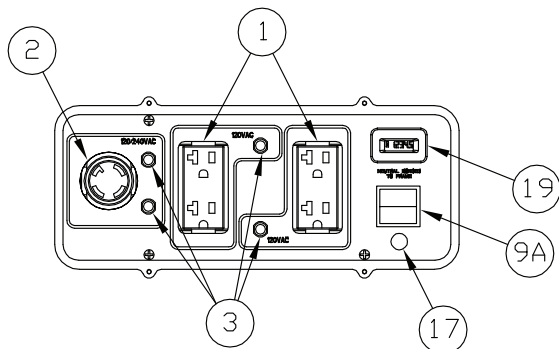
2.1 BIEN CONNAÎTRE LE GÉNÉRATEUR

Merci de lire le Manuel d'entretien et les Règles de sécurité avant de faire fonctionner ce générateur.

Comparer le générateur aux Schémas 2 à 4 pour vous familiariser avec les emplacements des divers contrôles et réglages. Conserver ce manuel pour mémoire.

1. **Prise double à DDFT 120 V c.a., 20 A** – Fournit une alimentation électrique pour le fonctionnement d'un éclairage électrique, d'appareils, d'outils et de charges de moteur 120 V c.a., 20 A, monophasé, 60 Hz.
2. **Prise à verrouillage 120/240 V c.a., 30 A** – Fournit une alimentation électrique pour le fonctionnement d'un éclairage électrique, d'appareils, d'outils et de charges de moteur 120 V et / ou 240 V c.a., 30 A, monophasé, 60 Hz.
3. **Disjoncteurs (c.a.)** – Chaque prise est fournie avec un disjoncteur de type « pousser pour réenclencher » pour protéger le générateur contre les surcharges électriques.
4. **Vidange d'huile** – Utilisé pour vidanger l'huile de moteur.
5. **Filtre à air** – Filtre l'air aspiré par le moteur.
6. **Étrangleur** – Utilisé au démarrage d'un moteur froid.
7. **Réservoir d'essence** – Voir les Caractéristiques techniques du générateur pour la contenance du réservoir.
8. **Borne de mise à la terre** – Relie le générateur à une terre approuvée. Voir la section « Mise à la terre du générateur » pour plus d'informations.
9. **Interrupteur Run/Stop (Marche/Arrêt)** – Contrôle le fonctionnement du générateur (modèles à démarrage manuel uniquement).
- 9A. **Interrupteur de démarrage** – Utilisé pour démarrer le moteur à partir du démarreur du moteur (modèles à démarrage électrique uniquement).
10. **Pot d'échappement** – Rend silencieux le moteur.

Schéma 2 - Panneau de commande



11. **Poignée** – Pivoter et rétracter pour le stockage. Appuyer sur le bouton à ressort pour déplacer les poignées.
12. **Chapeau de gaz assis** – Emplacement de remplissage d'huile.
13. **Jauge de carburant** – Indique le niveau de carburant dans le réservoir.
14. **Remplissage d'huile** – Ajouter de l'huile ici.
15. **Lanceur à rappel** – Utiliser pour démarrer le moteur manuellement.
16. **Soupape d'arrêt** – Soupape entre le réservoir d'essence et le carburateur.
17. **Entrée du chargeur de batterie** – Cette prise a la capacité de recharger la batterie rechargeable c.c. de 12 volts, équipée d'un chargeur d'adaptateur de 12 volts qui est inclus dans la boîte d'accessoires. Derrière l'entrée du chargeur de la batterie, il y a un fusible en ligne de 1,50 A qui se trouve à l'intérieur du panneau de commande afin de protéger la batterie (démarrage électrique uniquement).
18. **Batterie** – Met sous tension le démarreur électrique (démarrage électrique uniquement).
19. **Horomètre** – Relève les heures de fonctionnement.

Schéma 3 - Commandes du générateur

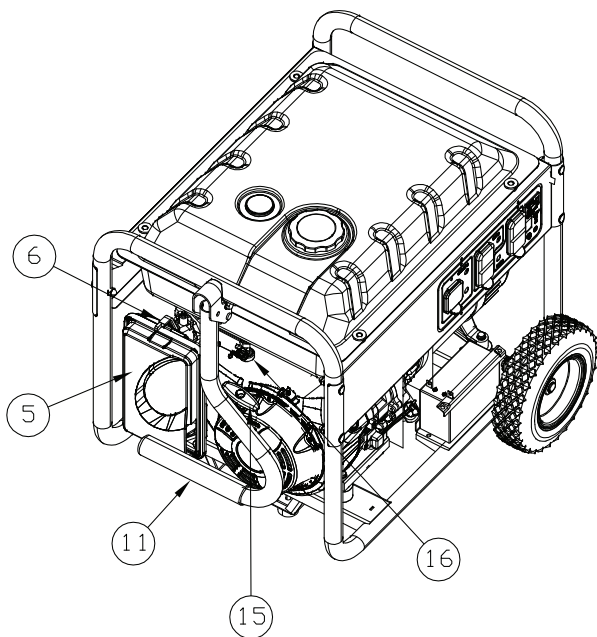
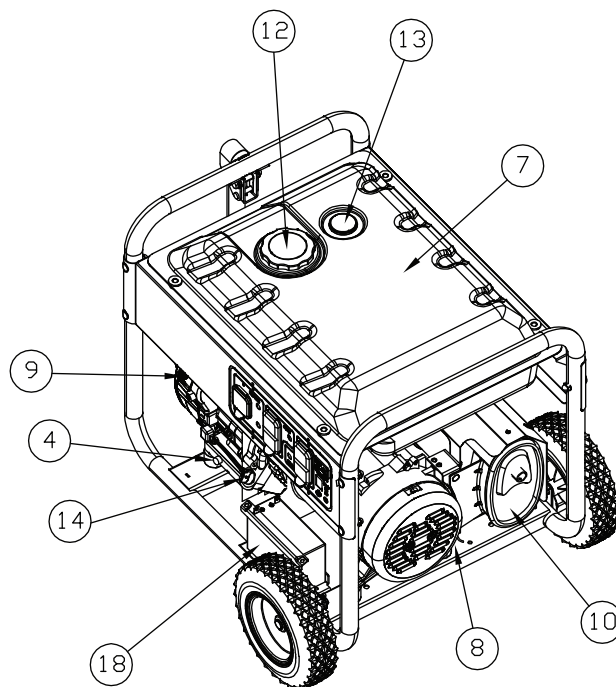


Schéma 4 - Commandes du générateur



2.2 HOROMÈTRE

L'horomètre relève les heures de fonctionnement pour la maintenance programmée :

Un message « CHG OIL » s'affichera toutes les 100 heures. Le message clignotera une heure avant et une heure après chaque intervalle de 100 heures, laissant une marge de deux heures pour effectuer l'entretien.

Ce message commencera à clignoter à la 99ème heure et se désactivera à la 101ème heure, laissant une marge de deux heures pour effectuer l'entretien.

Toutes les 200 heures, l'icône « SVC » située en bas à gauche de l'écran clignotera. Le message clignotera une heure avant et une heure après chaque intervalle de 200 heures, laissant une marge de deux heures pour effectuer l'entretien.

Lorsque l'horomètre est en mode Flash Alert (Alerte clignotante), le message de maintenance s'affichera toujours en alternance avec le temps écoulé en heures et en dixièmes. Les heures feront clignoter quatre heures, puis s'afficheront en alternance avec le message de maintenance quatre fois jusqu'à ce que la réinitialisation de l'horomètre.

- 100 heures - CHG OIL — Intervalle de changement d'huile (Toutes les 100 heures)

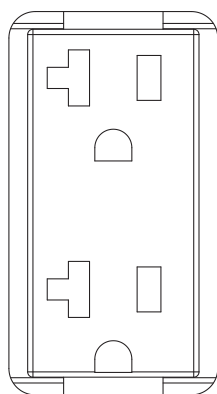
2.3 CORDONS ET CONNECTEURS

2.3.1 PRISE DOUBLE, 120 V C.A., 20 A

Il s'agit d'une prise de 120 volts protégée contre la surcharge par un disjoncteur de type « pousser pour réenclencher » de 20 A (Schéma 5). Utiliser chaque prise pour alimenter les charges électriques monophasées de 120 V c.a., 60 Hz nécessitant 2 400 watts (2,4 kW) ou 20 A de courant. Utiliser uniquement des cordons à trois fils avec mise à la terre, bien isolés, de haute qualité conçus pour 125 Volts à 20 A (ou plus).

Garder les cordons prolongateurs aussi courts que possible, de préférence à une longueur inférieure à 15 pieds, afin d'empêcher une chute de tension et une surchauffe potentielle des câbles.

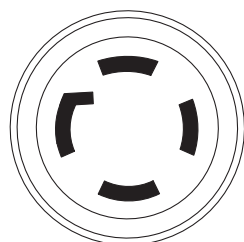
Schéma 5 - Prise double, 120 V c.a., 20 A



2.3.2 PRISE 120/240 V C.A., 30 A

Utiliser une fiche NEMA L14-30 avec cette prise (tourner pour verrouiller/déverrouiller). Brancher un cordon à 4 fils avec mise à la terre adapté à la prise et à la charge souhaitée. Le cordon doit être conçu pour 250 V c.a. à 30 A (ou plus) (Schéma 6).

Schéma 6 - Prise 120/240 V c.a., 30 A



120 V/240 V
30 A

Utiliser cette prise pour faire fonctionner les charges monophasées de 120 V c.a., 60 Hz nécessitant 3 600 watts (3,6 kW) d'alimentation à 30 A ou des charges monophasées de 240 V c.a., 60 Hz nécessitant 7 200 watts (7,2 kW) d'alimentation à 30 A. La prise est protégée par deux disjoncteurs de type « pousser pour réenclencher » de 25 A (5/ 5,5 kW) ou deux disjoncteurs de 30 A (6,5 kW).

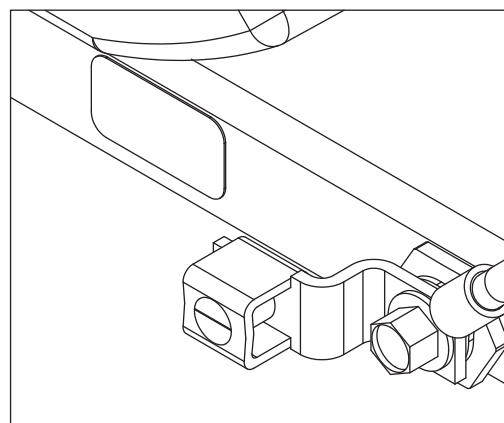
2.4 UTILISATION DU GÉNÉRATEUR

Si des problèmes se présentent lors du fonctionnement du générateur, merci d'appeler la ligne d'assistance pour les générateurs au 1-888-436-3722.

2.4.1 MISE À LA TERRE DU GÉNÉRATEUR

Le National Electrical Code (Code électrique national) exige que le bâti et que les pièces externes électriquement conductrices de ce générateur soient correctement reliées à une terre approuvée (Schéma 7). Les codes électriques locaux peuvent également exiger la bonne mise à la terre de l'unité. À cette fin, brancher un fil toronné en cuivre de 10 AWG (calibre américain des fils) à la borne de mise à la terre et à une tige en cuivre conduite à la terre ou une tige à la terre (électrode) en laiton fournit une protection appropriée contre les électrocutions. Cependant, les codes locaux peuvent fortement varier. Consulter un électricien local pour connaître les exigences de mise à la terre dans la région.

Schéma 7 - Mise à la terre du générateur



La bonne mise à la terre du générateur aidera à empêcher une électrocution en cas de condition de défaut de mise à la terre dans le générateur ou dans les dispositifs électriques branchés. La bonne mise à la terre aide également à dissiper l'électricité statique, qui s'accumule souvent dans les dispositifs non mis à la terre.

2.4.2 BRANCHEMENT DES CHARGES ÉLECTRIQUES

NE PAS brancher des charges de 240 V à des prises de 120 V. **NE PAS** brancher des charges triphasées au générateur. **NE PAS** brancher des charges de 50 Hz au générateur.

- Laisser le moteur se stabiliser et chauffer pendant quelques minutes après le démarrage.
- Brancher et mettre sous tension les charges électriques monophasées souhaitées de 120 ou 240 V c.a., 60 Hz.
- Ajouter les watts (ou ampères) nominaux de toutes les charges à brancher en même temps. Ce total ne doit pas dépasser (a) la capacité nominale de wattage/ampérage du générateur ou (b) la valeur nominale du disjoncteur de la prise fournissant l'alimentation. Voir la section « Ne pas surcharger le générateur ».

2.5 NE PAS SURCHARGER LE GÉNÉRATEUR

Surcharger un générateur au-dessus de sa capacité nominale de wattage peut endommager le générateur et les dispositifs électriques branchés. Respecter les consignes suivantes pour empêcher la surcharge de l'unité :

- Calculer le wattage total de tous les dispositifs électriques à brancher en même temps. Ce total ne doit PAS dépasser la capacité de wattage du générateur.
 - Le wattage nominal des lumières peut être indiqué sur les ampoules. Le wattage nominal des outils, des appareils et des moteurs se trouve généralement sur une étiquette ou un autocollant apposé(e) sur le dispositif.
 - Si l'appareil, l'outil ou le moteur n'indique pas le wattage, multiplier la valeur nominale des volts fois la valeur nominale des ampères afin de déterminer les watts (volts x ampères = watts).
 - Certains moteurs électriques, tels que ceux à induction, nécessitent environ trois fois plus de watts d'alimentation pour le démarrage que pour le fonctionnement. Cette surtension d'alimentation dure seulement quelques secondes lors du démarrage des moteurs en question. S'assurer de laisser un wattage de démarrage élevé lors du choix des dispositifs électriques pour brancher le générateur :
1. Calculer les watts nécessaires pour démarrer le moteur le plus grand.
 2. Ajouter à ce chiffre les watts de fonctionnement de toutes les autres charges branchées.

Le Guide de référence de wattage sert à déterminer combien d'éléments le générateur peut faire fonctionner en même temps.

REMARQUE :

Tous les chiffres sont arrondis. Voir les étiquettes sur l'unité pour connaître les exigences de wattage.

2.6 GUIDE DE RÉFÉRENCE DE WATTAGE

Dispositif	Watts de fonctionnement
*Climatiseur (12 000 Btu)	1 700
*Climatiseur (24 000 Btu)	3 800
*Climatiseur (40 000 Btu)	6 000
Chargeur de batterie (20 A)	.500
Ponceuse à bande (3 po.)	1 000
Scie à chaîne	1 200
Scie circulaire (6,5 po.)	800 à 1 000
*Sèche-linge (électrique)	5 750
*Sèche-linge (à gaz)	.700
*Machine à laver	1 150
Cafetière	1 750
*Compresseur (1 HP)	2 000
*Compresseur (0,75 HP)	1 800
*Compresseur (0,5 HP)	1 400
Fer à friser	.700
*Déshumidificateur	.650
Ponceuse à disque (9 po.)	1 200
Coupe-bordures	.500
Couverture chauffante électrique	.400
Cloueuse électrique	1 200
Cuisinière électrique (par élément)	1 500
Poêle électrique	1 250
*Freezer	.700
*Ventilateur de chaudière (0,6 HP)	.875
*Ouvre-porte de garage	.500 à 750
Sèche-cheveux	1 200
Perceuse à main	250 à 1 100

Taille-haie	.450
Clé à chocs	.500
Fer	1 200
*Pompe à jet	.800
Tondeuse à gazon	1 200
Ampoule	.100
Four à micro-ondes	700 à 1 000
*Réfrigérateur de lait	1 100
Brûleur à mazout de chaudière	.300
Radiateur à mazout (140 000 Btu)	.400
Radiateur à mazout (85 000 Btu)	.225
Radiateur à mazout (30 000 Btu)	.150
*Pistolet à peinture, sans air (0,3 HP)	.600
Pistolet à peinture, sans air (portable)	.150
Radio	.50 à 200
*Réfrigérateur	.700
Cocotte mijoteuse	.200
*Pompe immergée (1,5 HP)	2 800
*Pompe immergée (1 HP)	2 000
*Pompe immergée (0,5 HP)	1 500
*Pompe de vidange	800 à 1 050
*Scie circulaire à table (10 po.)	1 750 à 2 000
Télévision	.200 à 500
Grille-pain	1 000 à 1 650
Coupe-mauvaises herbes	.500
* Laisser 3 fois les watts indiqués pour le démarrage de ces dispositifs.	

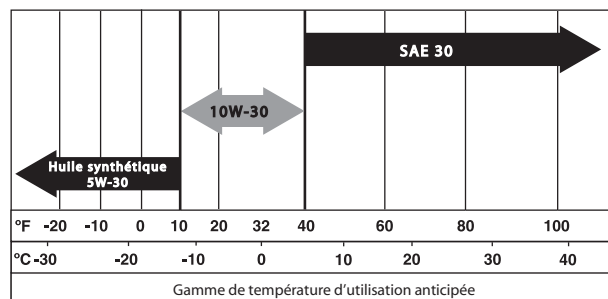
2.7 AVANT LE DÉMARRAGE DU GÉNÉRATEUR

Avant de faire fonctionner le générateur, de l'huile de moteur et de l'essence devront être ajoutés, de la façon suivante :

2.7.1 AJOUT DE L'HUILE DE MOTEUR

Toute huile doit respecter la catégorie de service minimale SJ, SL ou mieux de l'American Petroleum Institute (API) (Institut américain du pétrole). N'utiliser aucun additif spécial. Sélectionner le degré de viscosité d'huile selon la température d'exploitation (se reporter également au tableau).

- Au-dessus de 40 °F, utiliser le SAE 30
- En dessous de 40 °F et jusqu'à 10 °F, utiliser le 10W-30
- En dessous de 10 °F, utiliser le 5W-30 synthétique



⚠ ATTENTION !

! Toute tentative de faire tourner ou de démarrer le moteur avant qu'il ait été correctement entretenu avec l'huile recommandée peut entraîner une panne du moteur.

- Installer le générateur sur une surface de niveau.
- Nettoyer l'espace autour de l'orifice de remplissage d'huile et retirer le bouchon et la jauge d'huile de l'orifice de remplissage d'huile.
- Nettoyer la jauge d'huile.
- Remplir lentement le moteur avec de l'huile par l'orifice de remplissage d'huile jusqu'à ce qu'elle atteigne la marque de remplissage. Interrompre régulièrement le remplissage pour vérifier le niveau d'huile. **Faire attention de ne pas trop remplir.**
- Mettre le bouchon sur l'orifice de remplissage de l'huile et le serrer fermement au doigt.
- Vérifier le niveau d'huile de moteur avant le démarrage à chaque fois par la suite.

2.7.2 AJOUT DE L'ESSENCE

⚠ DANGER !

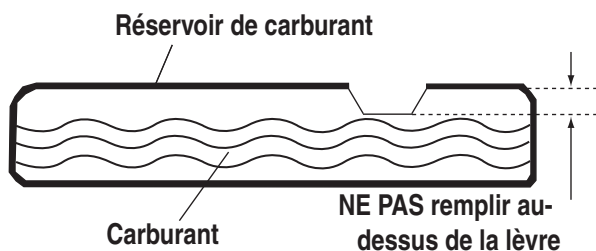
⚠ Ne jamais remplir le réservoir d'essence à l'intérieur. Ne jamais remplir le réservoir d'essence lorsque le moteur fonctionne ou est chaud. Éviter de renverser de l'essence sur un moteur chaud. Laisser le moteur complètement refroidir avant d'ajouter du carburant. NE PAS allumer une cigarette ni fumer lors du remplissage du réservoir d'essence.

⚠ Ne pas trop remplir le réservoir d'essence. Toujours laisser de la place pour l'expansion du carburant. En cas de suremplissage du réservoir, le carburant peut déborder sur un moteur chaud et entraîner un INCENDIE ou une EXPLOSION. Nettoyer immédiatement toute éclaboussure de carburant.

⚠ Ne pas allumer une cigarette ni fumer lors du remplissage du réservoir d'essence. L'essence est extrêmement INFLAMMABLE et ses vapeurs sont EXPLOSIVES.

- Utiliser de l'essence SANS PLOMB régulière avec le moteur du générateur. Ne pas utiliser d'essence avec plus de 10 % d'éthanol ajouté. Ne pas utiliser d'essence E85. Ne pas mélanger l'huile avec l'essence.
- Nettoyer l'espace autour du bouchon de l'orifice de remplissage d'essence, retirer le bouchon.
- Ajouter lentement de l'essence régulière sans plomb dans le réservoir d'essence. Remplir jusqu'au fond du filtre à tamis. **Faire attention de ne pas trop remplir** (Schéma 8).
- Mettre le bouchon du réservoir d'essence et nettoyer toute éclaboussure d'essence.

Schéma 8 - Réservoir d'essence



IMPORTANT : Il est important d'empêcher la formation de dépôts de gomme dans les pièces du circuit de carburant, telles que le carburateur, le tuyau pour combustible ou le réservoir pendant le stockage. L'expérience montre également que les carburants à base d'alcool (appelés gazohol, éthanol ou méthanol) peuvent absorber l'humidité, ce qui entraîne une séparation et la formation d'acides pendant le stockage. Un gaz acide peut endommager le circuit de carburant d'un moteur pendant le stockage de celui-ci. Afin d'éviter tout problème avec le moteur, le circuit de carburant doit être vidé avant le stockage du moteur si celui-ci est d'au moins 30 jours. Voir la section « Stockage ». Ne jamais utiliser de produit nettoyant pour moteur ou carburateur dans le réservoir d'essence étant donné que cela pourrait causer des dommages permanents.

2.8 DÉMARRAGE DES MOTEURS À DÉMARRAGE MANUEL

⚠ AVERTISSEMENT !

⚠ Ne jamais démarrer ou arrêter le moteur avec les dispositifs électriques branchés dans les prises ET les dispositifs sous tension.

- Débrancher toutes les charges électriques des prises de l'unité avant de démarrer le moteur.
- S'assurer que l'unité est dans une position de niveau.
- OUVRIR la soupape d'arrêt (Schéma 9).
- Mettre l'interrupteur RUN/STOP (Marche/Arrêt) du moteur sur la position ON (Marche).
- Faire glisser l'étrangleur du moteur de la position LEFT (Gauche) vers la position FULL CHOKE (Étrangleur plein) (Schéma 10).
- Pour démarrer le moteur, attraper fermement la poignée de rappel et tirer jusqu'à ce qu'une résistance se fasse sentir. Remonter rapidement et démarrer.
- Lorsque le moteur démarre, mettre le bouton Choke (Étrangleur) sur la position 1/2 CHOKE (Étrangleur à moitié) jusqu'à ce que le moteur fonctionne doucement et ensuite sur la position RUN (Marche). Si le moteur vibre, remettre le levier Choke (Étrangleur) sur la position 1/2 CHOKE (Étrangleur à moitié) jusqu'à ce que le moteur fonctionne doucement et ensuite sur la position RUN (Marche).

REMARQUE :

Si le moteur chauffe, mais ne continue pas à fonctionner, mettre le levier de l'étrangleur sur FULL CHOKE (Étrangleur plein) et répéter les instructions de démarrage.

Schéma 9 - Soupape d'arrêt

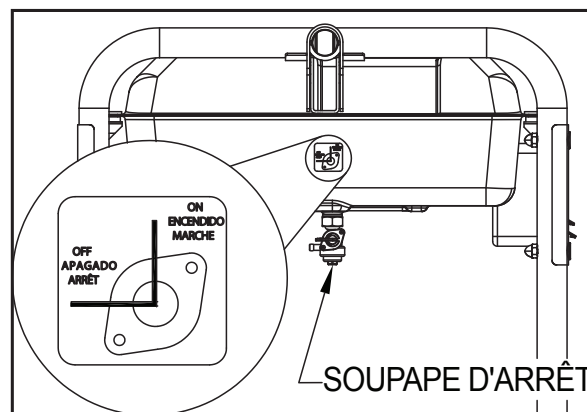
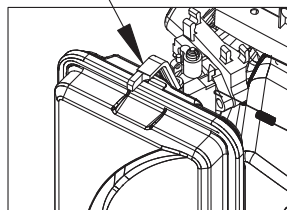


Schéma 10 - Position de l'étrangleur

LEVIER D'ÉTRANGLEUR
GAUCHE = ÉTRANGLEUR
DROITE = FONCTIONNEMENT



IMPORTANT : Ne pas surcharger le générateur. Aussi, ne pas surcharger les prises individuelles du panneau. Ces prises sont protégées contre la surcharge avec des disjoncteurs de type « pousser pour réenclencher ». Si la valeur nominale d'ampérage d'un disjoncteur est dépassée, ce disjoncteur s'ouvre et la puissance électrique de cette prise est perdue. Lire attentivement la section « Ne pas surcharger le générateur ».

2.9 DÉMARRAGE DES MOTEURS À DÉMARRAGE ÉLECTRIQUE

⚠ AVERTISSEMENT !

⚠ Ne jamais démarrer ou arrêter le moteur avec les dispositifs électriques branchés dans les prises ET les dispositifs sous tension.

- Débrancher toutes les charges électriques des prises de l'unité avant de démarrer le moteur.
- S'assurer que l'unité est dans une position de niveau.
- Ouvrir la soupape d'arrêt (Schéma 9).
- Mettre le bouton CHOKE (Étrangleur) du moteur à l'extérieur sur la position « Full Choke » (Étrangleur plein) (Schéma 10).
- Pour démarrer le moteur, appuyer et maintenir enfoncé l'interrupteur Start/Run/Stop (Démarrage/Marche/Arrêt) sur la position « Start » (Démarrage). Le moteur tournera et commencera à démarrer. Lorsque le moteur démarre, relâcher l'interrupteur sur la position Run (Marche).
- Lorsque le moteur démarre, mettre le bouton Choke (Étrangleur) sur la position « 1/2 Choke » (Étrangleur à moitié) jusqu'à ce que le moteur fonctionne doucement et ensuite sur la position « Run » (Marche). Si le moteur vibre, remettre le bouton Choke (Étrangleur) sur la position « 1/2 Choke » (Étrangleur à moitié) jusqu'à ce que le moteur fonctionne doucement et ensuite sur la position « Run » (Marche).
- Ce générateur est également équipé d'un lanceur à rappel manuel qui peut être utilisé en cas de déchargement de la batterie.

REMARQUE :

L'interrupteur doit être en position RUN (Marche).

- Pour démarrer manuellement, attraper fermement la poignée de rappel et tirer jusqu'à ce qu'une résistance se fasse sentir. Remonter rapidement et démarrer le moteur. Puis, suivre la même séquence de l'étrangleur.

REMARQUE :

Si le moteur chauffe, mais ne continue pas à fonctionner, mettre le levier de l'étrangleur sur FULL CHOKE (Étrangleur plein) et répéter les instructions de démarrage.

IMPORTANT : Ne pas surcharger le générateur. Aussi, ne pas surcharger les prises individuelles du panneau. Ces prises sont protégées contre la surcharge avec des disjoncteurs de type « pousser pour réenclencher ». Si la valeur nominale d'ampérage d'un disjoncteur est dépassée, ce disjoncteur s'ouvre et la puissance électrique de cette prise est perdue. Lire attentivement la section « Ne pas surcharger le générateur ».

2.10 ARRÊT DU MOTEUR

- Arrêter toutes les charges, puis débrancher les charges électriques des prises du panneau du générateur. Ne jamais démarrer ou arrêter le moteur avec les dispositifs électriques branchés et sous tension.
- Laisser le moteur fonctionner à circuit ouvert pendant plusieurs minutes pour stabiliser les températures internes du moteur et du générateur.
- Mettre l'interrupteur Run/Stop (Marche/Arrêt) sur la position OFF (Arrêt).
- Fermer la vanne de combustible.

2.11 SYSTÈME D'ARRÊT DE BAS NIVEAU D'HUILE

Le moteur est équipé d'un détecteur de bas niveau d'huile qui arrête le moteur automatiquement lorsque le niveau d'huile chute en dessous d'un niveau spécifique. Si le moteur s'arrête tout seul et que le réservoir d'essence a assez d'essence, vérifier le niveau d'huile du moteur.

2.11.1 DÉTECTION DE BAS NIVEAU D'HUILE

Si le système détecte un niveau d'huile bas pendant le fonctionnement, le moteur s'arrête. Le moteur ne fonctionnera pas tant que de l'huile n'aura pas été rajoutée pour atteindre le bon niveau.

3.1 PROGRAMME DE MAINTENANCE

Suivre les intervalles du calendrier. Un entretien plus fréquent est nécessaire lors du fonctionnement dans les conditions défavorables indiquées ci-dessous.

Vérifier le niveau d'huile	Lors de chaque utilisation
Changer l'huile ‡	* Toutes les 100 heures ou à chaque saison
Vérifier le jeu des soupapes	*** À chaque saison
Entretien du filtre à air	** Toutes les 200 heures ou à chaque saison
Remplacer la bougie d'allumage	À chaque saison

‡ Changer l'huile après les 30 premières heures de fonctionnement puis à chaque saison.

* Changer l'huile et le filtre à huile tous les mois lors du fonctionnement sous une charge lourde ou à des températures élevées.

** Nettoyer plus souvent dans des conditions de fonctionnement sales. Remplacer les pièces du filtre à air s'il est impossible de les nettoyer correctement.

*** Vérifier le jeu des soupapes et régler si nécessaire après les 50 premières heures de fonctionnement et toutes les 100 heures par la suite.

3.2 CARACTÉRISTIQUES TECHNIQUES DES PRODUITS

3.2.1 CARACTÉRISTIQUES TECHNIQUES DU GÉNÉRATEUR

Puissance nominale	5/ 5,5/ 6,5 kW**
Puissance de surtension	6,25/ 6,88/ 8 kW
Tension c.a. nominale	120/240
Charge c.a. nominale.	
Courant à 240 V (5/ 5,5/ 6,5 kW)	20,8/ 22,9/ 27,1 A**
Courant à 120 V (5/ 5,5/ 6,5 kW)	41,6/ 45,8/ 54,2 A**
Fréquence nominale	60 Hz à 3 600 RPM
Phase	Monophasée

** Le wattage et le courant maximum sont soumis à, et limités par, ces facteurs tels que le contenu en Btu de carburant, la température ambiante, l'altitude, l'état du moteur, etc. La puissance maximale diminue d'environ 3,5 % pour chaque tranche de 1 000 pieds au-dessus du niveau de la mer ; et diminuera également d'environ 1 % pour chaque tranche de 6 °C (10 °F) au-dessus de 16 °C (60 °F) de température ambiante.

3.2.2 CARACTÉRISTIQUES TECHNIQUES DU MOTEUR

Déplacement.....	389 cc
Type de bougie d'allumage	NHSP LDF7TC ou Champion N9YC
Écartement de bougie d'allumage.....	0,028 - 0,031 pouces ou (0,70 - 0,80 mm)
Capacité d'essence	7,2 gallons U.S.
Type d'huile.....	Voir tableau dans la section « Avant le démarrage du générateur »
Capacité d'huile.....	1 L (1,06 Qts.)
Temps d'exécution à une charge de 50 % (5/ 5,5/ 6,5 kW).....	10 heures

3.2.3 INFORMATIONS RELATIVES AUX ÉMISSIONS

L'Agence pour la protection de l'environnement (EPA) exige que ce générateur soit conforme aux normes en matière d'émission d'échappement. Ce générateur est certifié comme respectant tous les niveaux d'émission d'échappement EPA applicables. Il est important de respecter les spécifications de maintenance indiquées dans ce manuel afin de s'assurer que votre moteur est conforme aux normes applicables en matière d'émission pendant la durée de vie du moteur. Le système de contrôle des émissions de ce générateur est composé des éléments suivants :

- | | |
|---------------------------------|------------------------|
| • Système d'induction d'air | • Système d'allumage |
| ~ Pipe / collecteur d'admission | ~ Bougie d'allumage |
| ~ Filtre à air | ~ Bobine d'allumage |
| • Système d'échappement | • Système de carburant |
| ~ Collecteur d'échappement | ~ Carburateur |
| ~ Pot d'échappement | |

La période de conformité des émissions à laquelle il est fait référence sur l'étiquette de conformité des émissions indique le nombre d'heures de fonctionnement pendant lesquelles le moteur a prouvé respecter les exigences EPA en matière d'émission.

3.3 RECOMMANDATIONS GÉNÉRALES

La garantie du générateur ne couvre pas les éléments qui ont été soumis à un abus ou une négligence de l'opérateur. Afin de recevoir le montant total de la garantie, l'opérateur doit entretenir le générateur de la façon indiquée dans ce manuel.

Certains réglages doivent être effectués régulièrement pour entretenir correctement le générateur.

Tous les réglages de la section Maintenance de ce manuel doivent être effectués au moins une fois par saison. Respecter les exigences dans le tableau de « Programme de maintenance ».

REMARQUE :

Une fois par an, remplacer la bougie d'allumage et le filtre à air. Une nouvelle bougie d'allumage et un filtre à air propre garantissent un bon mélange carburé et aide le moteur à mieux fonctionner et à durer plus longtemps.

3.3.1 MAINTENANCE DU GÉNÉRATEUR

La maintenance du générateur consiste à garder l'unité propre et sèche. Faire fonctionner et stocker l'unité dans un environnement sec et propre où il ne sera pas exposé à trop de poussières, de saletés, d'humidité ou de vapeurs corrosives. Les fentes de refroidissement du générateur ne doivent pas être obstruées par la neige, les feuilles ou tout autre corps étranger.

Vérifier régulièrement que le générateur est propre et nettoyer la poussière, les saletés, l'huile, l'eau ou les autres corps étrangers qui sont visibles sur sa surface extérieure.

⚠ ATTENTION !

! Ne jamais insérer d'objet ou d'outil dans les fentes de refroidissement, même si le moteur ne fonctionne pas.

REMARQUE :

NE PAS utiliser un tuyau d'arrosage pour nettoyer le générateur. L'eau peut entrer dans le système de carburant du moteur et causer des problèmes. En outre, si l'eau entre dans le générateur par les fentes de refroidissement, de l'eau restera dans les vides et les crevasses du bobinage d'isolement du rotor et du stator. L'accumulation d'eau et de saletés sur les bobinages internes du générateur diminuera potentiellement la résistance d'isolement de ces bobinages.

3.3.2 NETTOYAGE DU GÉNÉRATEUR

- Utiliser un chiffon humide pour le nettoyage des surfaces externes.
- Il est possible d'utiliser une brosse douce en poils pour décoller les agglutinements de saletés, d'huile, etc.
- Un aspirateur pourra être utilisé pour récupérer les saletés et les débris.
- Un air projeté avec une faible pression (inférieure à 25 livres par pouce carré) pourra être utilisé pour souffler la saleté. Inspecter les fentes de refroidissement et les orifices du générateur. Ces orifices doivent être propres et non obstrués.

3.3.3 MAINTENANCE DU MOTEUR

⚠ DANGER !

⚡ Toujours débrancher le fil de bougie de la bougie d'allumage et rester à distance de celui-ci en cas de travail sur le générateur.

3.3.4 VÉRIFICATION DU NIVEAU D'HUILE

Se reporter à la section « Avant le démarrage du générateur » pour plus d'informations sur la vérification du niveau d'huile. Le niveau d'huile doit être vérifié avant chaque utilisation, ou au minimum toutes les huit heures de fonctionnement. Il est nécessaire de conserver un certain niveau d'huile.

3.3.5 CHANGEMENT DE L'HUILE

Changer l'huile toutes les 100 heures. Changer l'huile plus souvent en cas d'utilisation de cette unité dans un environnement sale ou poussiéreux, ou dans des températures très élevées.

⚠ ATTENTION !

! De l'huile chaude peut entraîner des brûlures. Laisser le moteur refroidir avant de vidanger l'huile. Éviter un contact prolongé ou répété de la peau avec de l'huile usagée. Laver minutieusement les zones exposées avec du savon.

Respecter les instructions suivantes pour changer l'huile après que le moteur ait refroidi :

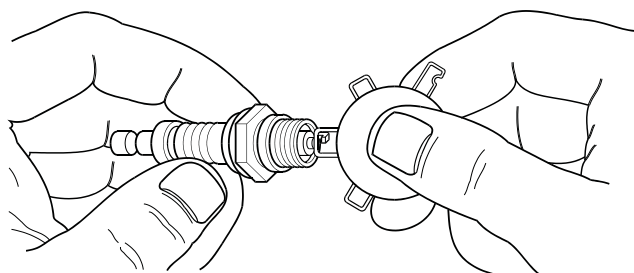
- Nettoyer la zone autour du tuyau de vidange d'huile.
- Retirer le bouchon de vidange d'huile du moteur et le bouchon pour le remplissage d'huile afin de vidanger toute l'huile dans un récipient adapté.
- Lorsque l'huile est totalement vidangée, revisser le bouchon de vidange d'huile et le resserrer solidement.
- Remplir le moteur avec l'huile recommandée. (voir la section « Avant le démarrage du générateur » pour les recommandations sur l'huile à utiliser).
- Nettoyer toute trace d'huile renversée.
- Éliminer l'huile usagée dans un centre de collecte approprié.

3.3.6 REMPLACEMENT DES BOUGIES D'ALLUMAGE

Utiliser des bougies d'allumage Champion N9YC ou équivalent. Remplacer les bougies une fois par an. Cela permettra un démarrage plus facile et un meilleur fonctionnement du moteur.

1. Arrêter le moteur et débrancher le fil de bougie de la bougie d'allumage.
2. Nettoyer la zone autour de la bougie d'allumage et la retirer de la culasse.
3. Régler l'écartement de bougie d'allumage à 0,70 - 0,80 mm (0,028 - 0,031 po.). Installer la bougie d'allumage correctement écartée dans la culasse (Schéma 11).

Schéma 11 - Écartement de la bougie d'allumage



3.4 ENTRETIEN DU FILTRE À AIR

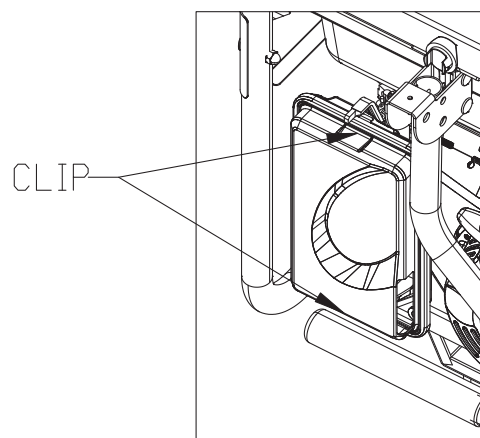
Le moteur ne fonctionnera pas correctement et pourra être endommagé en cas d'utilisation d'un filtre à air sale. Nettoyer le filtre à air toutes les 200 heures ou une fois par an (Schéma 12). Il sera nécessaire de le nettoyer ou de le remplacer plus souvent en cas de fonctionnement dans des conditions de saleté.

- Retirer le couvercle du filtre à air.
- Laver dans une eau savonneuse. Le presser dans un chiffon propre pour le sécher (NE PAS LE TORDRE).
- Nettoyer le couvercle du filtre à air avant de le remettre en place.

REMARQUE :

Pour commander un nouveau filtre à air, merci de contacter le centre d'entretien agréé le plus proche au 1-800-436-1322.

Schéma 12 - Filtre à air



3.5 JEU DES SOUPAPES

- Admission — 0,15 ± 0,02 mm (froid), (0,006 ± 0,0008 pouces)
- Échappement — 0,0020 ± 0,02 mm (froid), (0,008 ± 0,0008 pouces)

Vérifier le jeu des soupapes dans le moteur après les 50 premières heures de fonctionnement et l'ajuster si cela est nécessaire.

IMPORTANT : En cas de doute quant à la réalisation de cette procédure, ou d'absence des outils adaptés, merci de faire régler le jeu des soupapes du générateur dans le centre de réparation le plus proche. Il s'agit d'une étape très importante pour garantir la meilleure durée de vie du moteur.

3.6 GÉNÉRALITÉS

Le générateur doit être démarré au moins une fois par semaine et doit fonctionner pendant au moins 30 minutes. Si cela est impossible et que l'unité n'est pas utilisée pendant plus de 30 jours, utiliser les informations suivantes en tant que guide pour préparer son stockage.

⚠ DANGER !

NE JAMAIS ranger le moteur avec un réservoir rempli d'essence à l'intérieur ou dans des zones fermées et faiblement aérées où des fumées peuvent atteindre une flamme nue, des étincelles ou une veilleuse telle qu'il y en a sur une chaudière, un chauffe-eau, un sèche-linge ou d'autres appareils fonctionnant au gaz.

⚠ Laisser l'unité complètement refroidir avant le stockage.

3.7 STOCKAGE À LONG TERME

Pendant le stockage, il est important d'empêcher la formation de dépôts de gomme dans les pièces essentielles du circuit de carburant, telles que le carburateur, le tuyau pour combustible ou le réservoir. L'expérience montre également que les carburants à base d'alcool (appelés gazohol, éthanol ou méthanol) peuvent absorber l'humidité, ce qui entraîne une séparation et la formation d'acides pendant le stockage. Un gaz acide peut endommager le circuit de carburant d'un moteur pendant le stockage de celui-ci.

Afin d'éviter tout problème avec le moteur, le circuit de carburant doit être vidé avant le stockage du moteur si celui-ci est d'au moins 30 jours. Pour cela :

- Vidanger le réservoir d'essence de tout le carburant qu'il contient.

⚠ DANGER !

⚠ Vider l'essence dans des conteneurs adaptés situés à l'extérieur, loin de toute flamme nue. S'assurer que le moteur est froid. Ne pas fumer.

- Démarrer et faire fonctionner le moteur jusqu'à ce qu'il s'arrête suite à une panne d'essence.
- Vidanger le carter pendant que le moteur est encore chaud. Remplir jusqu'au niveau recommandé.
- Retirer la bougie d'allumage et verser environ 0,5 onces (15 ml) d'huile pour moteur dans le cylindre. Couvrir l'orifice de la bougie d'allumage avec un chiffon. Tirer plusieurs fois le lanceur à rappel pour lubrifier les segments de piston et l'alésage du cylindre.

⚠ ATTENTION !

⚠ Éviter d'asperger à partir des trous de la bougie d'allumage lorsque le moteur tourne.

- Remettre et serrer la bougie d'allumage. Ne pas brancher le fil de bougie.
- Nettoyer les surfaces externes du générateur. Vérifier que les fentes de refroidissement et les orifices du générateur sont ouverts et non obstrués.
- Stocker l'unité dans un endroit propre et sec.

3.8 AUTRES CONSEILS DE STOCKAGE

- Ne pas stocker l'essence d'une saison sur l'autre.
- Remplacer le bidon d'essence s'il commence à rouiller. De la rouille et / ou de la saleté dans l'essence entraîneront des problèmes dans le carburateur et le circuit de carburant.
- Si cela est possible, stocker l'unité à l'intérieur et la recouvrir afin de la protéger de la saleté et de la poussière. **S'ASSURER DE VIDER LE RÉSERVOIR D'ESSENCE.**
- S'il n'est pas possible de vider le réservoir d'essence et que l'unité est rangée pendant une longue période, ajouter un stabilisateur d'essence (disponible dans le commerce) à l'essence afin d'augmenter la durée de vie de l'essence.
- Couvrir l'unité avec une protection adaptée ne retenant pas l'humidité.

⚠ DANGER !

⚠ NE JAMAIS couvrir le générateur alors que le moteur et la zone du pot d'échappement sont chauds.

4.1 GUIDE DE DÉPANNAGE

PROBLÈME	CAUSE	SOLUTION
Le moteur tourne, mais aucun courant alternatif n'est produit.	<ol style="list-style-type: none"> Disjoncteur est ouvert. Cordon mal branché ou défectueux. Dispositif branché défectueux. Erreur au niveau du générateur. 	<ol style="list-style-type: none"> Réarmer le disjoncteur. Vérifier et réparer. Brancher un autre dispositif en bon état. Contacteur un centre d'entretien agréé.
Le moteur fonctionne bien mais connaît des défaillances lorsque des charges sont branchées.	<ol style="list-style-type: none"> Court-circuit dans l'une des charges branchées. Surcharge du générateur. Vitesse du moteur trop faible. Court-circuit du générateur. 	<ol style="list-style-type: none"> Débrancher la charge électrique court-circuitée. Voir la section « Ne pas surcharger le générateur ». Contacteur un centre d'entretien agréé. Contacteur un centre d'entretien agréé.
Le moteur ne démarre pas, ou démarre et connaît des défaillances.	<ol style="list-style-type: none"> La soupape d'arrêt est sur OFF (Arrêt). Filtre à air sale. Panne d'essence. Essence viciée. Fil de bougie débranché de la bougie d'allumage. Bougie d'allumage défectueuse. Présence d'eau dans l'essence. Étranglement important. Niveau d'huile faible. Mélange d'essence trop riche. Soupape d'admission bloquée en position ouverte ou fermée. Perte de compression du moteur. 	<ol style="list-style-type: none"> Mettre la soupape d'arrêt sur ON (Marche). Nettoyer ou remplacer le filtre à air. Remplir le réservoir d'essence. Vidanger le réservoir d'essence et le remplir avec de l'essence nouvelle. Brancher le fil à la bougie d'allumage. Remplacer la bougie d'allumage. Vidanger le réservoir d'essence et le remplir avec de l'essence nouvelle. Placer le levier d'étrangleur sur la position No Choke (Aucun étrangleur). Remplir le carter jusqu'au niveau nécessaire. Contacteur un centre d'entretien agréé. Contacteur un centre d'entretien agréé. Contacteur un centre d'entretien agréé.
Le moteur s'arrête pendant le fonctionnement.	<ol style="list-style-type: none"> Panne d'essence. Niveau d'huile faible. Erreur au niveau du moteur. 	<ol style="list-style-type: none"> Remplir le réservoir d'essence. Remplir le carter jusqu'au niveau nécessaire. Contacteur un centre d'entretien agréé.
Moteur pas assez puissant.	<ol style="list-style-type: none"> Charge trop élevée. Filtre à air sale. Réparation nécessaire du moteur. 	<ol style="list-style-type: none"> Diminuer la charge (voir la section « Ne pas surcharger le générateur »). Nettoyer ou remplacer le filtre à air. Contacteur un centre d'entretien agréé.
À-coups ou déclin du moteur.	<ol style="list-style-type: none"> Étrangleur ouvert trop tôt. Mélange trop riche ou trop pauvre dans le carburateur. 	<ol style="list-style-type: none"> Placer le levier d'étrangleur à mi-chemin jusqu'à ce que le moteur fonctionne correctement. Contacteur un centre d'entretien agréé.

ÉNONCÉ DE LA GARANTIE FÉDÉRALE DU CONTRÔLE DES ÉMISSIONS VOS DROITS ET OBLIGATIONS DE GARANTIE

L'Agence pour la Protection de l'Environnement américaine (ci-après dénommée EPA) et la société Generac Power Systems, Inc. (ci-après dénommée Generac) sont heureux de vous expliquer ce qu'est la garantie de votre nouvel équipement 2008 et ultérieur. Le nouvel équipement utilise des petits moteurs à allumage commandé doivent être conçus, construits et équipés dans le respect des normes nationales rigoureuses en matière de pollution pour le gouvernement fédéral. Generac garantira le système de contrôle des émissions de votre générateur pour les périodes indiquées ci-après, en l'absence d'acte abusif, de négligence, de modification non approuvée ou de maintenance inadaptée de votre équipement.

Votre système de contrôle des émissions pourra comprendre certaines pièces telles que : le carburateur, le système d'allumage, le système de carburant, le pot catalytique et les autres composants relatifs aux émissions (le cas échéant).

COUVERTURE DE GARANTIE DU FABRICANT :

Ce système de contrôle des émissions est garanti pendant une durée de deux ans. Si un composant ou système de votre équipement relatif aux émissions comporte une pièce défectueuse ou présente un défaut de fabrication pendant la durée de la garantie, les réparations ou remplacements de pièces seront effectués par un dépositaire d'entretien de garantie agréé par Generac.

RESPONSABILITÉS DE GARANTIE DU PROPRIÉTAIRE :

En tant que propriétaire du générateur, vous êtes responsable de la réalisation de toute la maintenance nécessaire telle que listée dans le manuel d'entretien qui vous a été remis par l'usine. Aux fins de la garantie, Generac vous recommande de conserver tous les reçus relatifs à la maintenance effectuée sur votre générateur, mais Generac ne peut pas refuser la garantie uniquement en raison de la non-présentation des reçus.

En tant que propriétaire du générateur, vous devez cependant savoir que Generac pourra refuser tout et / ou partie de la couverture de la garantie ou de la responsabilité si votre générateur et / ou toute pièce de celui-ci ne fonctionne plus du fait d'un usage abusif, d'une négligence, d'une mauvaise maintenance ou de modifications non approuvées, ou de l'utilisation de pièces contrefaites et / ou provenant de l'économie souterraine n'ayant pas été fabriquées, fournies ou approuvées par Generac.

Vous êtes chargé de contacter un dépositaire de garantie agréé par Generac dès qu'un problème se présente. Les réparations effectuées dans le cadre de la garantie devront être faites dans une période raisonnable, inférieure à 30 jours.

Le service de garantie peut être organisé en contactant votre dépositaire ou un dépositaire de service de garantie agréé par Generac. Pour connaître le dépositaire de service de garantie agréé par Generac situé le plus près, appeler notre numéro gratuit :

1-800-333-1322

REMARQUE IMPORTANTE : Cet énoncé de garantie explique vos droits et obligations dans le cadre de la garantie du Système de Contrôle des Émissions (garantie du SCE) qui vous est fournie par Generac conformément au droit de l'État fédéral. Consulter également les « Garanties limitées de Generac pour Generac Power Systems, Inc. » jointes au présent document sur un feuillet séparé, qui vous est également remis par Generac. Veuillez noter que la présente garantie ne s'applique pas aux dommages accessoires, importants ou indirects causés par des défaillances matérielles ou de fabrication, ou par tout retard de réparation ou de remplacement de la ou des pièce(s) défectueuses. La présente garantie remplace toutes les autres garanties, implicites ou explicites. En particulier, Generac n'émet aucune garantie de conformité ou d'usage pour un objectif particulier. Certains états ne permettent pas de poser une limite à la durée de la garantie implicite, la limite susmentionnée ne s'applique donc pas à ces derniers.

La garantie du SCE ne s'applique qu'au système de contrôle des émissions de votre nouvel équipement. En cas de conflit au niveau des termes de la présente garantie du SCE et de la garantie Generac, la garantie de Generac prévaudra. Les garanties du SCE et de Generac décrivent les droits et obligations importantes relatives à votre nouvel équipement.

Le service de garantie ne peut être réalisé que par une entreprise de service agréée par Generac. En cas de demande du service de garantie, des preuves mentionnant la date de vente à l'acquéreur / au propriétaire d'origine doivent être présentées.

Pour toute question concernant vos droits et responsabilités de garantie, merci de contacter Generac à l'adresse suivante :

**ATTENTION WARRANTY DEPARTMENT
GENERAC POWER SYSTEMS, INC.
P.O. BOX 297 • WHITEWATER, WI 53190**

GARANTIE DU SYSTÈME DE CONTRÔLE DES ÉMISSIONS

Garantie du Système de Contrôle des Émissions (garantie du SCE) pour l'équipement utilisant de petits moteurs à allumage commandé :

- (a) Applicabilité : La présente garantie s'applique à l'équipement qui utilise de petits moteurs hors route. La période de la garantie du SCE commencera à la date d'achat / de livraison du nouvel équipement à son acquéreur / propriétaire d'origine, final, et durera pendant les 24 mois suivant ladite date.
- (b) Couverture de la garantie générale des émissions : Generac garantit à l'acquéreur / au propriétaire d'origine, final, du nouveau moteur ou équipement et à chacun des acquéreurs / propriétaires suivant que lorsqu'il est installé le SCE :
- (1) Est conçu, construit et équipé dans le respect de toutes les réglementations applicables ; et
 - (2) Ne comporte aucune pièce défectueuse ni ne présente aucun défaut de fabrication à tout moment de la période de garantie du SCE.
- (c) La garantie sur les pièces relatives aux émissions sera interprétée de la façon suivante :
- (1) Toute pièce garantie, dont le remplacement n'est pas prévu au cours des maintenances obligatoires mentionnées dans le Manuel d'entretien sera garantie pour toute la durée de la Garantie du SCE. Si l'une de ces pièces devient défectueuse pendant la durée de la Garantie du SCE, elle sera réparée ou remplacée par Generac conformément au paragraphe (4) qui suit. Ces pièces réparées ou remplacées dans le cadre de la Garantie du SCE seront garanties pour le reste de la durée de la Garantie du SCE.
 - (2) Toute pièce garantie dont il est prévu une inspection régulière dans le Manuel d'entretien sera garantie pendant toute la durée de la Garantie du SCE. Toute déclaration contenue dans le Manuel d'entretien et relative à l'effet de « réparation ou remplacement si nécessaire » ne réduira pas la durée de la Garantie du SCE. Ces pièces réparées ou remplacées dans le cadre de la Garantie du SCE seront garanties pour le reste de la durée de la Garantie du SCE.
 - (3) Toute pièce garantie, dont le remplacement est pas prévu au cours des maintenances obligatoires mentionnées dans le Manuel d'entretien sera garantie pour la période précédant la date du premier remplacement prévu. Si la pièce devient défectueuse avant le premier remplacement prévu, elle sera réparée ou remplacée par Generac, conformément au paragraphe (4) qui suit. Ces pièces relatives aux émissions réparées ou remplacées dans le cadre de la Garantie du SCE seront garanties pour le reste de la durée précédant la date de leur premier remplacement prévu.
 - (4) La réparation ou le remplacement de toute pièce relative aux émissions et garantie dans le cadre de la Garantie du SCE sera réalisé sans frais pour le propriétaire dans un service de garantie agréé par Generac.
 - (5) Nonobstant les dispositions de la sous-section (4) ci-dessus, les services ou réparations sous garantie doivent être effectués aux centres d'entretien agréés Generac.
 - (6) Si le moteur est inspecté par un service de garantie agréé par Generac, les frais de diagnostic ne seront pas à la charge de l'acquéreur / du propriétaire si la réparation entre dans le cadre de la garantie.
 - (7) Generac est tenu, pendant la durée de la Garantie du SCE, de conserver un stock de pièces relatives aux émissions et garanties suffisant afin de répondre à la demande desdites pièces.
 - (8) Toute pièce de rechange relative aux émissions agréée et approuvée par Generac pourra être utilisée pour la réalisation de toute maintenance ou réparation effectuée dans le cadre de la garantie du SCE et sera fournie sans frais à la charge de l'acquéreur / du propriétaire. Cette utilisation ne réduira pas les obligations de Generac dans le cadre de la Garantie du SCE.
 - (9) Toute pièce non approuvée, ajoutée, modifiée, contrefaite et / provenant de l'économie souterraine ne pourra pas être utilisée afin de modifier ou de réparer un moteur Generac. L'utilisation de telles pièces annule la Garantie du SCE et constituera un motif suffisant pour rejeter toute demande de bénéfice de la Garantie du SCE. Generac ne sera pas responsable des défaillances des pièces garanties d'un équipement Generac dues à l'utilisation de pièces non approuvées, ajoutées, modifiées contrefaites et / ou provenant de l'économie souterraine.

LES PIÈCES RELATIVES AUX ÉMISSIONS PEUVENT INCLURE CE QUI SUIT (LE CAS ÉCHÉANT) :

- | | |
|---------------------------------------------------------------------------------------------------------------------------------------------------------------------------------------------------------------------------------------------------------------------------------------------------------------------------------------------------------------------------------------------------------------------------------------------------------------------------------------------------------------------------------------------------|-----------------------------------------------------------------------------------------------------------------------------------------------------------------------------------------------------------------------------------------------------------------------------------------------------------------------------------------------------------------|
| <ol style="list-style-type: none"> 1) SYSTÈME DE DOSAGE DU CARBURANT <ol style="list-style-type: none"> A. CARBURATEUR ET PIÈCES INTERNES B. RÉGULATEUR DE PRESSION 2) SYSTÈME D'INDUCTION D'AIR <ol style="list-style-type: none"> A. COLLECTEUR D'ADMISSION B. FILTRE À AIR 3) SYSTÈME D'ALLUMAGE <ol style="list-style-type: none"> A. BOUGIES D'ALLUMAGE B. BOBINES / MODULE D'ALLUMAGE | <ol style="list-style-type: none"> 4) SYSTÈME D'INJECTION D'AIR <ol style="list-style-type: none"> A. VANNE À IMPULSION D'AIR 5) SYSTÈME D'ÉCHAPPEMENT <ol style="list-style-type: none"> A. CATALYSEUR B. RÉACTEUR THERMIQUE C. COLLECTEUR D'ÉCHAPPEMENT |
|---------------------------------------------------------------------------------------------------------------------------------------------------------------------------------------------------------------------------------------------------------------------------------------------------------------------------------------------------------------------------------------------------------------------------------------------------------------------------------------------------------------------------------------------------|-----------------------------------------------------------------------------------------------------------------------------------------------------------------------------------------------------------------------------------------------------------------------------------------------------------------------------------------------------------------|

2ème partie

GARANTIE LIMITÉE DE DEUX ANS DE GENERAC POWER SYSTEMS POUR LES GÉNÉRATEURS PORTABLES SÉRIE GP

La société Generac Power Systems, Inc. (Generac) garantit que, pendant une période de deux années à compter de la date d'achat d'origine, ses générateurs série GP ne présenteront aucun défaut matériel ni de fabrication pour les éléments et la période mentionnée ci-après. Generac réparera ou remplacera, comme il le jugera nécessaire, toute pièce jugée défectueuse après un examen, une inspection et un test réalisés par Generac ou un dépositaire de service de garantie agréé par Generac. Tout équipement déclaré défectueux par l'acquéreur / le propriétaire doit être retourné et examiné par le dépositaire de service de garantie agréé par Generac le plus proche. Tous les frais d'envoi à payer dans le cadre de la garantie, dont le retour à l'usine, seront supportés et payés à l'avance par l'acquéreur / le propriétaire. Cette garantie ne s'applique qu'aux générateurs portables de la série GP et n'est pas transférable par l'acquéreur d'origine. Il est conseillé de conserver les preuves d'achat. Si vous ne fournissez pas de preuve de la date d'achat d'origine, la date d'envoi du produit par son fabricant servira à déterminer la période de garantie.

PROGRAMME DE GARANTIE

Les applications des clients sont garanties pendant deux (2) ans. Les applications commerciales et de location sont garanties pendant un (1) an ou 1 000 heures maximum, à la première des deux dates.

APPLICATION DES CLIENTS

ANNEE UNE – couverture à 100 % (cent pour cent) pour la main d'œuvre et la/les pièce(s) (il est nécessaire de présenter une preuve d'achat et de maintenance) :

- Tous les composants

ANNEE DEUX – couverture à 100 % (cent pour cent) sur la/les pièce(s) (il est nécessaire de présenter une preuve d'achat et de maintenance) :

- Tous les composants

APPLICATIONS COMMERCIALES / DE LOCATION

ANNEE UNE – couverture à 100 % (cent pour cent) (ou 1 000 heures, quelque soit le premier événement qui survient) pour la main d'œuvre et la/les pièce(s) (il est nécessaire de présenter une preuve d'achat et de maintenance) :

- Tous les composants

INTERNATIONAL

ANNEE UNE (ou 1 000 heures, selon la première occurrence) – couverture complète limitée pour la main d'œuvre et les pièces listées.

- Tous les COMPOSANTS

REMARQUE : Aux fins de la présente garantie, « utilisation du consommateur » désigne une utilisation ménagère personnelle ou récréative de la part de l'acquéreur d'origine. La présente garantie ne s'applique pas aux unités utilisées pour de l'énergie primaire au lieu du réseau lorsque le réseau électrique principal est présent ou n'existe normalement pas. Une fois que le générateur a été utilisé de manière commerciale ou locative, il sera considéré par la suite comme un générateur à utilisation non personnelle dans le cadre de la présente garantie.

Toutes les indemnités de garantie sont soumises aux conditions définies dans le manuel des politiques de Generac.

LA PRÉSENTE GARANTIE NE S'APPLIQUE PAS AUX ÉLÉMENTS SUIVANTS :

- Les générateurs portables construits par Generac avant juin 2010.
- Les générateurs portables Generac utilisant des pièces de rechange ne provenant pas de Generac.
- Les coûts de maintenance et des modifications normales.
- Les défaillances entraînées par de l'essence ou de l'huile contaminée, ou par l'utilisation de niveaux d'huile non appropriés.
- Les réparations ou diagnostics réalisés par des dépositaires non agréés par Generac et non autorisés par écrit par Generac Power Systems.
- Les défaillances dues, sans s'y limiter, à l'usure normale, à des accidents, mauvaises utilisations, usages abusifs, négligence ou utilisation inadaptée. Comme pour tous les dispositifs mécaniques, les moteurs Generac nécessitent une réparation et un remplacement périodiques de leurs pièces pour fonctionner comme prévu. La présente garantie ne couvre pas les réparations lorsque le problème de la ou les pièce(s) ou du moteur découle d'une utilisation normale.
- Les défaillances causées par toute cause extérieure ou tout cas de force majeure, tel qu'un choc, un vol, un acte de vandalisme, une émeute, une guerre, un holocauste nucléaire, un incendie, un gel, la foudre, un séisme, une tempête, la grêle, une éruption volcanique, l'eau ou une inondation, une tornade ou un ouragan.
- Les dommages dus à des rongeurs et / ou insectes.
- Les produits modifiés ou altérés d'une façon n'ayant pas été autorisée par écrit par Generac.
- Les dommages accessoires, importants ou indirects causés par des défaillances matérielles ou de fabrication, ou par tout retard de réparation ou de remplacement de la ou des pièce(s) défectueuses.
- Les défaillances dues à une mauvaise application.
- Les frais de téléphone, de téléphone portable, de fax, d'accès à Internet ou d'autres moyens de communication.
- Les dépenses liées à l'instruction du client ou au dépannage lorsqu'aucun défaut n'est détecté.
- Les équipements loués utilisés pendant la réalisation des réparations dans le cadre de la garantie.
- Les frais de transport de nuit ou d'envoi spécial de la ou des pièce(s) de rechange.
- Les heures supplémentaires, le travail de jour férié ou en urgence de la main d'œuvre.
- Les batteries de démarrage, fusibles, ampoules et fluides du moteur.

LA PRÉSENTE GARANTIE REMPLACE TOUTES LES AUTRES GARANTIES, IMPLICITES OU EXPLICITES. EN PARTICULIER, GENERAC N'ÉMET AUCUNE GARANTIE DE CONFORMITÉ OU D'USAGE POUR UN OBJECTIF PARTICULIER. Toute garantie implicite autorisée par la loi doit être limitée en durée conformément aux conditions de garantie explicite stipulées dans la présente. Certains états ne permettent pas de poser une limite à la durée de la garantie implicite, la limite susmentionnée ne s'applique donc pas à ces derniers. GENERAC NE SERA RESPONSABLE QUE DE LA RÉPARATION OU DU REMPLACEMENT DE LA OU DES PIÈCES TEL QUE SUSMENTIONNÉ. EN AUCUN CAS GENERAC NE POURRA ÊTRE TENU RESPONSABLE DE TOUT DOMMAGE ACCESSOIRE OU IMPORTANT, MÊME SI CE DOMMAGE DÉCOULE DIRECTEMENT D'UNE NÉGLIGENCE DE GENERAC. Certains états ne permettent pas d'exclure ou de poser une limite aux dommages accessoires ou importants, la limite susmentionnée ne s'applique donc pas à ces derniers. La présente garantie vous confère des droits juridiques spécifiques. Votre état vous confère également d'autres droits.

GENERAC POWER SYSTEMS, INC.

P.O. BOX 8 • Waukesha, WI 53187

Tél. : (888) GENERAC (436-3722) • Fax : (262) 544-4851

Pour localiser le dépositaire le plus proche, visitez notre site Internet www.generac.com

Free Manuals Download Website

<http://myh66.com>

<http://usermanuals.us>

<http://www.somanuals.com>

<http://www.4manuals.cc>

<http://www.manual-lib.com>

<http://www.404manual.com>

<http://www.luxmanual.com>

<http://aubethermostatmanual.com>

Golf course search by state

<http://golfingnear.com>

Email search by domain

<http://emailbydomain.com>

Auto manuals search

<http://auto.somanuals.com>

TV manuals search

<http://tv.somanuals.com>