

**GENERAC**

Thank you for purchasing a product from the Generac product line by Generac. This model is a compact, engine-driven generator that can supply electrical power during a utility power outage.

This unit is factory configured for use with liquid propane (LP) gas. Be sure that is intended for use. This generator will not operate on three different

## READ THIS MANUAL THOROUGHLY

If you do not understand any portion of this manual, contact Generac or your nearest Generac/Guardian Authorized Dealer for starting, operating and servicing procedures.

Throughout this publication, and on tags and decals affixed to the generator, DANGER, WARNING, CAUTION and NOTE blocks are used to alert you to special instruction about a particular operation that may be hazardous if performed incorrectly or carelessly. Observe them carefully. Their definitions are as follows:

After this heading, you can read instructions that, if not strictly complied with, will result in personal injury or property damage.


After this heading, you can read instructions that, if not strictly complied with, may result in personal injury, including death, or property damage.


After this heading, you can read instructions that, if not strictly complied with, may result in damage to equipment and/or property.


After this heading, you can read explanatory statements that are of special emphasis.

These safety warnings indicate the hazards that they indicate. Caution with the special instructions while performing service are essential to avoid accidents.

Four commonly used symbols are DANGER, WARNING, CAUTION and NOTE. Each symbol contains information each

 This symbol points to information that, if not followed, could result in safety and/or property damage.

 This symbol points to information that, if not followed, could result in personal injury, including death, or property damage.

 This symbol points to information that, if not followed, could result in damage to equipment and/or property.

 This symbol points to information that, if not followed, could result in electrical hazard.

Generac® Power Systems

Information, exploded views, and three different

single-cylinder GH-

• 04390-0 - 12 kW LP, V-twin GT-760 Engine

• 04390-0 - 13 kW LP, V-twin GT-990 Engine

### ◆ OPERATING INSTRUCTIONS

It is the responsibility of the user to read and understand the instructions and warnings before operating the generator.

Generac/Guardian Authorized Dealer assistance. Service technicians are factory-trained and are capable of handling all of your service needs.

When contacting a Generac/Guardian Authorized Dealer or the factory about parts and service, always supply the complete model number and serial number of your unit as given on its data decal, which is located on your generator. See Figure 1.1 or Figure 1.2 in Section 1.6 (Page 5) for decal location.

Model No. \_\_\_\_\_ Serial No. \_\_\_\_\_

<b>Introduction</b> .....	<b>Inside Front Cover</b>	
Read This Manual Thoroughly .....	IFC	
Contents .....	IFC	
Operation and Maintenance .....	IFC	
How to Obtain Service .....	IFC	
Authorized Dealer Locator Number .....	IFC	
<b>Safety Rules</b> .....	<b>2</b>	
Standards Index .....	3	
<b>Section 1 – General Information</b> .....	<b>4</b>	
1.1 Unpacking/Inspection .....	4	
1.2 Protection Systems .....	4	
1.3 Additional Generator Features .....	4	
1.3.1 7 kW, 12 kW, and 15 kW Units .....	4	
1.4 Your Generator .....	5	
1.5 Specifications .....	6	
1.5.1 Generator .....	6	
1.5.2 Engine .....	6	
1.6 Fuel Requirements and Recommendations....	7	
1.7 Fuel Consumption .....	7	
1.8 Reconfiguring the Fuel System .....	7	
1.9 Location .....	8	
1.9.1 Generator .....	8	
1.9.2 Transfer Switch.....	8	
1.10 Battery Installation .....	8	
1.11 The Battery.....	9	
<b>Section 2 – Post Installation Start-up and Adjustments</b> .....	<b>9</b>	
2.1 Before Initial Startup .....	9	
2.2 Check Transfer Switch Operation.....	10	
2.3 Electrical Checks .....	10	
2.4 Generator Tests Under Load .....	10	
2.5 Checking Automatic Operation .....	11	
2.6 Adjusting the Regulator (Natural Gas Only) ..	11	
2.7 Engine Governor Adjustment .....	12	
2.7.1 7 kW Units .....	12	
2.7.2 12 kW and 15 kW Units .....	12	
2.7.3 Additional Corrosion Protection .....	13	
2.8 Voltage Regulator Adjustment.....	13	
<b>Section 3 – Operation</b> .....	<b>13</b>	
3.1 Break-in Procedure.....	13	
3.2 Using the Auto/Off/Manual Switch .....	13	
3.2.1 “Auto” Position.....	13	
3.2.2 “Off” Position.....	13	
3.2.3 “Manual” Position .....	13	
3.3 Automatic Transfer Operation .....	14	
3.4 Sequence of Automatic Operation.....	14	
3.5 Manual Transfer Operation .....	14	
3.5.1 Transfer to Generator Power Source.....	14	
3.5.2 Transfer Back to Utility Power Source.....	15	
3.6 Setting the Exercise Timer .....	15	
3.7 Protection Systems .....	16	
3.7.1 Low Oil Pressure Switch .....	16	
3.7.2 High Temperature Switch .....	16	
3.7.3 Overcrank .....	16	
3.7.4 Overspeed .....	16	
<b>Section 4 – Maintenance</b> .....	<b>16</b>	
4.1 Fuse .....	16	
4.2 Checking the Engine Oil Level .....	16	
4.3 Changing the Engine Oil .....	17	
4.3.1 Engine Oil Recommendations .....	17	
4.3.2 Oil Change Procedure .....	17	
4.4 Changing the Oil Filter .....	17	
4.5 Changing the Engine Air Cleaner .....	18	
4.5.1 7 kW, 12 kW and 15 kW Generators.....	18	
4.6 Spark Plug(s) .....	18	
4.7 Battery Maintenance .....	18	
4.8 Adjusting Valve Clearance.....	19	
4.9 Cooling System.....	20	
4.10 Attention After Submersion .....	20	
4.11 Out of Service Procedure .....	20	
4.12 Corrosion Protection .....	21	
4.13 Service Schedule .....	22	
<b>Section 5 – Troubleshooting</b> .....	<b>23</b>	
5.1 Troubleshooting Guide.....	23	
<b>Section 6 – Electrical Data</b> .....	<b>24</b>	
<b>Section 7 – Exploded Views and Parts Lists</b> .....	<b>32</b>	
<b>Section 8 – Notes</b> .....	<b>53</b>	
<b>Section 9 – Mounting Dimensions</b> .....	<b>55</b>	
<b>Section 10 – Warranty</b> .....	<b>56</b>	



**SAVE THESE INSTRUCTIONS** - *The manufacturer suggests that these rules for safe operation be copied and posted near the unit's installation site. Safety should be stressed to all operators and potential operators of this equipment.*

**WARNING:**

The engine exhaust from this product contains chemicals known to the state of California to cause cancer, birth defects or other reproductive harm.

**WARNING:**

This product contains or emits chemicals known to the state of California to cause cancer, birth defects or other reproductive harm.

Study these SAFETY RULES carefully before installing, operating or servicing this equipment. Become familiar with this *Owner's Manual* and with the unit. The generator can operate safely, efficiently and reliably only if it is properly installed, operated and maintained. Many accidents are caused by failing to follow simple and fundamental rules or precautions.

Generac cannot possibly anticipate every possible circumstance that might involve a hazard. The warnings in this manual, and on tags and decals affixed to the unit are, therefore, not all-inclusive. If you use a procedure, work method or operating technique Generac does not specifically recommend, you must satisfy yourself that it is safe for you and others. You also must make sure the procedure, work method or operating technique that you choose does not render the generator unsafe.

—  **DANGER**  —

**!** Despite the safe design of this generator, operating this equipment imprudently, neglecting its maintenance or being careless can cause possible injury or death. Permit only responsible and capable persons to operate or maintain this equipment.

**⚡** Potentially lethal voltages are generated by these machines. Ensure all steps are taken to render the machine safe before attempting to work on the generator.

**!** Parts of the generator are rotating and/or hot during operation. Exercise care near running generators.

**!** GENERAL HAZARDS **!**

- For safety reasons, Generac recommends that the installation, initial start-up and maintenance of this equipment is carried out by a Generac/Guardian Authorized Dealer.
- The engine exhaust fumes contain carbon monoxide, which can be DEADLY. This dangerous gas, if breathed in sufficient concentrations, can cause unconsciousness or even death. This exhaust system must be installed properly, in strict compliance with applicable codes and standards. Following installation, you must do nothing that might render the system unsafe or in noncompliance with such codes and standards.
- Keep hands, feet, clothing, etc., away from drive belts, fans, and other moving or hot parts. Never remove any drive belt or fan guard while the unit is operating.
- Adequate, unobstructed flow of cooling and ventilating air is critical to correct generator operation. Do not alter the installation or permit even partial blockage of ventilation provisions, as this can seriously affect safe operation of the generator. The generator **MUST** be installed outdoors.
- When working on this equipment, remain alert at all times. Never work on the equipment when you are physically or mentally fatigued.
- Inspect the generator regularly, and contact your nearest Generac/Guardian Authorized Dealer for parts needing repair or replacement.
- Before performing any maintenance on the generator, disconnect its battery cables to prevent accidental start up. Disconnect the cable from the battery post indicated by a **NEGATIVE**, **NEG** or **(-)** first. Reconnect that cable last.
- Never use the generator or any of its parts as a step. Stepping on the unit can stress and break parts, and may result in dangerous operating conditions from leaking exhaust gases, fuel leakage, oil leakage, etc.



## ELECTRICAL HAZARDS

- All generators covered by this manual produce dangerous electrical voltages and can cause fatal electrical shock. Utility power delivers extremely high and dangerous voltages to the transfer switch as does the standby generator when it is in operation. Avoid contact with bare wires, terminals, connections, etc., while the unit is running. Ensure all appropriate covers, guards and barriers are in place before operating the generator. If you must work around an operating unit, stand on an insulated, dry surface to reduce shock hazard.
- Do not handle any kind of electrical device while standing in water, while barefoot, or while hands or feet are wet. **DANGEROUS ELECTRICAL SHOCK MAY RESULT.**
- The National Electrical Code (NEC) requires the frame and external electrically conductive parts of the generator to be connected to an approved earth ground. Local electrical codes also may require proper grounding of the generator electrical system.
- After installing this home standby electrical system, the generator may crank and start at any time without warning. When this occurs, load circuits are transferred to the STANDBY (generator) power source. To prevent possible injury if such a start and transfer occur, always set the generator's Auto/Off/Manual switch to its OFF position before working on equipment and remove the fuse.
- In case of accident caused by electric shock, immediately shut down the source of electrical power. If this is not possible, attempt to free the victim from the live conductor. **AVOID DIRECT CONTACT WITH THE VICTIM.** Use a nonconducting implement, such as a rope or board, to free the victim from the live conductor. If the victim is unconscious, apply first aid and get immediate medical help.
- Never wear jewelry when working on this equipment. Jewelry can conduct electricity resulting in electric shock, or may get caught in moving components causing injury.

## FIRE HAZARDS

- For fire safety, the generator must be installed and maintained properly. Installation always must comply with applicable codes, standards, laws and regulations. Adhere strictly to local, state and national electrical and building codes. Comply with regulations the Occupational Safety and Health Administration (OSHA) has established. Also, ensure that the generator is installed in accordance with the manufacturer's instructions and recommendations. Following proper installation, do nothing that might alter a safe installation and render the unit in noncompliance with the aforementioned codes, standards, laws and regulations.

- Keep a fire extinguisher near the generator at all times. Extinguishers rated "ABC" by the National Fire Protection Association are appropriate for use on the standby electric system. Keep the extinguisher properly charged and be familiar with its use. If you have any question pertaining to fire extinguishers, consult your local fire department.

## EXPLOSION HAZARDS

- Do not smoke around the generator. Wipe up any fuel or oil spills immediately. Ensure that no combustible materials are left in the generator compartment, or on or near the generator, as FIRE or EXPLOSION may result. Keep the area surrounding the generator clean and free from debris.
- Gaseous fluids such as natural gas and liquid propane (LP) gas are extremely EXPLOSIVE. Install the fuel supply system according to applicable fuel-gas codes. Before placing the home standby electric system into service, fuel system lines must be properly purged and leak tested according to applicable code. After installation, you must inspect the fuel system periodically for leaks. No leakage is permitted.

## ◆ STANDARDS INDEX

In the absence of pertinent standards, codes, regulations and laws, the published information listed below may be used as installation guide for this equipment.

1. NFPA No. 37, STATIONARY COMBUSTION ENGINES AND GAS TURBINES, available from the National Fire Protection Association, 470 Atlantic Avenue, Boston, MA 02210.
2. NFPA No. 76A, ESSENTIAL ELECTRICAL SYSTEMS FOR HEALTH CARE FACILITIES, available same as Item 1.
3. NFPA No. 54, NATIONAL FUEL GAS CODE, available same as Item 1.
4. NFPA No. 58, AMERICAN NATIONAL STANDARD FOR STORAGE AND HANDLING OF LIQUEFIED PETROLEUM GAS, available same as Item 1.
5. NFPA No. 70, NFPA HANDBOOK OF NATIONAL ELECTRIC CODE, available same as Item 1.
6. Article X, NATIONAL BUILDING CODE, available from the American Insurance Association, 85 John Street, New York, N.Y. 10038.
7. AGRICULTURAL WIRING HANDBOOK, available from the Food and Energy Council, 909 University Avenue, Columbia, MO 65201.
8. ASAE EP-3634, INSTALLATION AND MAINTENANCE OF FARM STANDBY ELECTRICAL SYSTEMS, available from the American Society of Agricultural Engineers, 2950 Niles Road, St. Joseph, MI 49085.
9. NFPA No. 30, FLAMMABLE AND COMBUSTIBLE LIQUIDS CODE, available same as Item 1.

**⚠ DANGER ⚠**

Only qualified electricians or contractors should attempt such installations, which must comply strictly with applicable codes, standards and regulations.

### 1.1 UNPACKING/INSPECTION

After unpacking, carefully inspect the contents for damage.

- This standby generator set has been factory supplied with a weather protective enclosure that is intended for **outdoor installation only**.
- This standby generator set is packaged with an automatic transfer switch with built in load center. The combination transfer switch and load center is pre-wired with a 2 foot and 30 foot conduit. Circuit breakers for emergency circuit connections are included.
- This UL listed, 2-pole switch is rated at 100 AC amperes at 250 volts maximum. **This transfer switch is for indoor use only.**

**⚠ WARNING ⚠**

**⚠** If this generator is used to power electrical load circuits normally powered by a utility power source, you are required by code to install a transfer switch. The transfer switch must effectively isolate the electrical system from the utility distribution system when the generator is operating (NEC 701). Failure to isolate an electrical system by such means will result in damage to the generator and also may result in injury or death to utility power workers due to backfeed of electrical energy.

If any loss or damage is noted at time of delivery, have the person(s) making the delivery note all damage on the freight bill or affix his or her signature under the consignor's memo of loss or damage.

If you note loss or damage after delivery, separate the damaged materials and contact the carrier for claim procedures.

“Concealed damage” is understood to mean damage to the contents of a package that is not in evidence at the time of delivery, but is discovered later.

### 1.2 PROTECTION SYSTEMS

Unlike an automobile engine, the generator may have to run for long periods of time with no operator present to monitor engine conditions. For that reason, the engine is equipped with the following systems that protect it against potentially damaging conditions:

1. Low Oil Pressure Sensor
2. High Temperature Sensor
3. Overcrank
4. Overspeed

There are LED readouts on the control panel to notify you that one of these faults has occurred. There is also a “System Set” LED that is lit when all of the following conditions are true:

1. The Auto/Off/Manual switch is set to the AUTO position.
2. The “Not In Auto” dip switch is set to the OFF position on the control board.
3. No alarms are present.

### 1.3 ADDITIONAL GENERATOR FEATURES

#### ◆ 1.3.1 7 KW, 12 KW, AND 15 KW UNITS

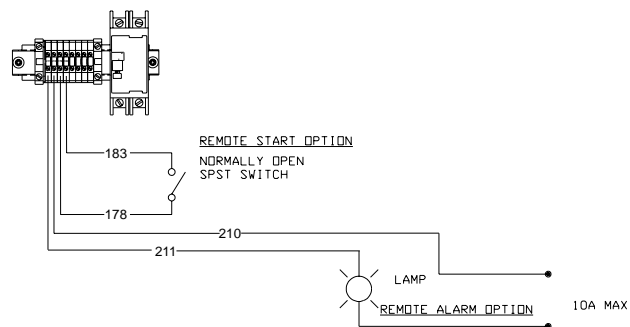
The 7 kW, 12 kW and 15 kW air-cooled Guardians offer additional features that are not factory preset:

1. Remote Start – This allows for remote starting of the generator by means of the #183 (common) and #178 (normally open) lines with the Auto/Off/Manual switch set to AUTO. Closure of the circuit starts the unit; opening of the circuit stops the unit. See Figure 1.1.

**NOTE:**

**This function will work only with the unit in the AUTO mode.**

Figure 1.1 – Remote Start/Alarm Options



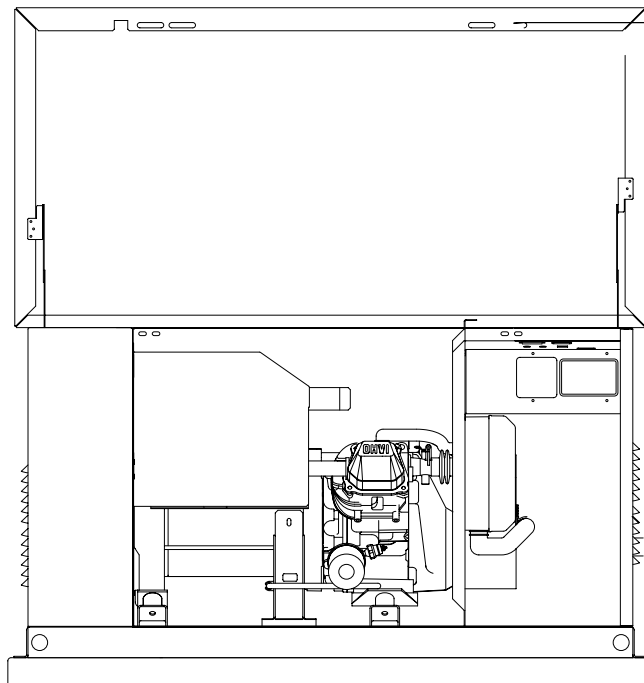
-Type 14 AWG wire is recommended.

-These options should be wired to the unit by a qualified electrician or Generac/Guardian Authorized Dealer.

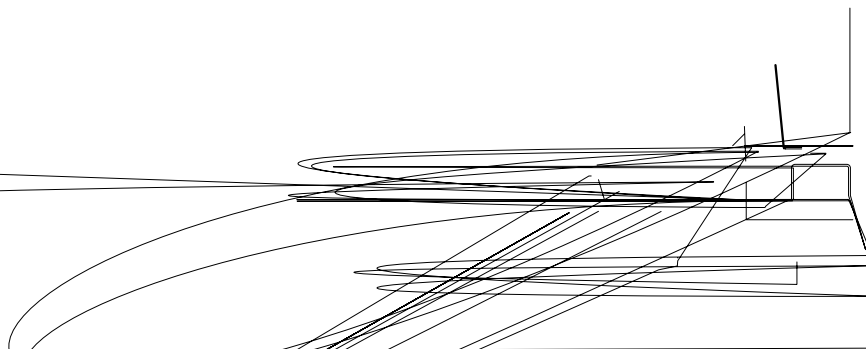
2. Remote/Common Alarm – This allows for an alarm, light, horn, etc., to activate when any fault has occurred. Lines #210 (common) and #211 (normally open) provide a “closure” on common fault, which can be used for 120 volts, 10 amps maximum. See Figure 1.1.
3. Remote Not Auto – The generator will not automatically start during a utility failure.

## 1.4 YOUR GENERATOR

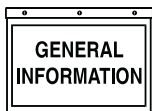
*Figure 1.2 – 7 kW, Single Cylinder GH-410 Engine*



*Figure 1.3 – 12 kW/15 kW, V-twin GT-760/GT-990 Engine*







## Section 1 – General Information

### Guardian Air-cooled 7 kW, 12 kW and 15 kW Generators

## 1.5 SPECIFICATIONS

### ◆ 1.5.1 GENERATOR

	<b>Model 04389</b>	<b>Model 04456</b>	<b>Model 04390</b>
Rated Max. Continuous Power Capacity (Watts*)	6,000 NG/7,000 LP	10,000 NG/12,000 LP	13,000 NG/15,000 LP†
Rated Voltage	120/240	120/240	120/240
Rated Max. Continuous Load Current (Amps)			
120 Volts	50.0 NG/58.3 LP	83.3 NG/100.0 LP	108.3 NG/125.0 LP
240 Volts	25.0 NG/29.2 LP	41.6 NG/50.0 LP	54.2 NG/62.5 LP
Main Line Circuit Breaker	30 Amp	50 Amp	60 Amp/70 Amp†
Phase	1	1	1
Number of Rotor Poles	2	2	2
Rated AC Frequency	60 Hz	60 Hz	60 Hz
Power Factor	1	1	1
Recommended Air Filter	Generac Part # C8127	Generac Part # C8127	Generac Part # C8127
Battery Requirement	Group 26/26R 12 Volts and 350 Cold-cranking Amperes Minimum	Group 26/26R 12 Volts and 550 Cold-cranking Amperes Minimum	Group 26/26R 12 Volts and 550 Cold-cranking Amperes Minimum
Weight	452 Pounds	470 Pounds	487 Pounds
Output Sound Level @ 23 ft (7m) at full load	68 db (A)	70.5db (A)	71.5 db (A)
Normal Operating Range	-20°F (-28.8°C) to 104°F (40°C)		

\* Maximum wattage and current are subject to and limited by such factors as fuel Btu content, ambient temperature, altitude, engine power and condition, etc. Maximum power decreases about 3.5 percent for each 1,000 feet above sea level; and also will decrease about 1 percent for each 12° C (10° F) above 15.5° C (60° F).

† 15,000 watt with upgrade kit 04578-0. Kit includes power harnesses and 70 amp 2-pole circuit breaker.

### ◆ 1.5.2 ENGINE

	<b>Model 04389</b>	<b>Model 04456</b>	<b>Model 04390</b>
Type of Engine	GH-410	GT-760	GT-990
Number of Cylinders	1	2	2
Rated Horsepower	14.5 @ 3,600 rpm	26 @ 3,600 rpm	30 @ 3,600 rpm
Displacement	410cc	760cc	992cc
Cylinder Block	Aluminum w/Cast Iron Sleeve	Aluminum w/Cast Iron Sleeve	Aluminum w/Cast Iron Sleeve
Valve Arrangement	Overhead Valves	Overhead Valves	Overhead Valves
Ignition System	Solid-state w/Magneto	Solid-state w/Magneto	Solid-state w/Magneto
Recommended Spark Plug	RC12YC	RC12YC	RC12YC
Spark Plug Gap	0.76 mm (0.030 inch)	0.76 mm (0.030 inch)	0.76 mm (0.030 inch)
Compression Ratio	8.6:1	9.5:1	9.5:1
Starter	12 Vdc	12 Vdc	12Vdc
Oil Capacity Including Filter	Approx. 1.5 Qts	Approx. 1.7 Qts	Approx. 1.7 Qts
Recommended Oil Filter	Generac Part # 70185	Generac Part # 70185	Generac Part # 70185
Recommended Air Filter	Generac Part # 0C8127	Generac Part # 0C8127	Generac Part # 0C8127
Operating RPM	3,600	3,600	3,600



## 1.6 FUEL REQUIREMENTS AND RECOMMENDATIONS

**With LP gas, use only the vapor withdrawal system.** This type of system uses the vapors formed above the liquid fuel in the storage tank.

The engine has been fitted with a fuel carburetion system that meets the specifications of the 1997 California Air Resources Board for tamper-proof dual fuel systems. The unit will run on natural gas or LP gas, but it has been factory set to run on natural gas. Should the primary fuel need to be changed to LP gas, the fuel system needs to be reconfigured. See Section 1.8 (Page 7) for instructions on reconfiguration of the fuel system.

Recommended fuels should have a Btu content of at least 1,000 Btus per cubic foot for natural gas; or at least 2,520 Btus per cubic foot for LP gas. Ask your fuel supplier for the Btu content of your fuel.

Fuel pressure for both natural gas and liquid propane set ups should be **11 inches to 14 inches of water column (0.6 psi)** at all load ranges.

### NOTE:

**A separate gas line and regulator may be needed to assure proper gas pressure (11-14") to the generator. Low gas pressure can cause hard starting and could affect engine durability.**

## 1.7 FUEL CONSUMPTION

\*Natural gas is in cubic feet per hour.

\*\*LP is in gallons per hour/cubic feet per hour.

Gaseous fuels such as natural gas and liquid propane (LP) gas are highly explosive. Even the slightest spark can ignite such fuels and cause an explosion. No leakage of fuel is permitted. Natural gas, which is lighter than air, tends to collect in high areas. LP gas is heavier than air and tends to settle in low areas.

## 1.8 RECONFIGURING THE FUEL SYSTEM

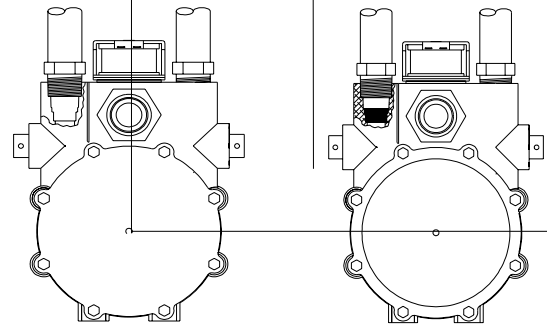
### 1.8.1 7 KW

To reconfigure the fuel system from NG to LP, follow these steps:

1. Turn the main gas supply off.
2. Remove the carburetor fuel hose(s) from the outlet port(s) of the demand regulator (Figure 1.4).

3. Disconnect wire #0 and wire #14 from the gas solenoid located on the top of the demand regulator.
4. Remove the demand regulator by rotating counterclockwise.
5. Remove the brass hose fitting(s) from the outlet port of the demand regulator.
6. Remove the brass metering jet(s) (loosen counterclockwise) from the housing port of the demand regulator located on the side of the regulator.
7. Install new LP metering jet(s) (tighten clockwise) in the outlet port of the demand regulator.
8. Refit the brass hose fittings to the outlet port of the demand regulator.
9. Reverse procedure steps 1-4 to reinstall demand regulator.
10. Reverse the procedure to convert back to natural gas.

Figure 1.4 – Demand Regulator



### NOTE:

**The natural gas adjustment screw is preset during installation and should not need any further adjustment.**

### ◆ 1.8.2 V-TWIN

To reconfigure the fuel system from NG to LP, follow these steps:

### NOTE:

**The primary regulator for the propane supply is NOT INCLUDED with the generator. You must supply a fuel pressure of 11 to 14 inches of water column (0.6 psi) to the fuel inlet of the generator.**

1. Locate the fuel demand regulator underneath the control panel.
2. Identify both fuel adjustment screws.

### NOTE:

**One adjustment screw can be accessed from the front of the unit and the second can be accessed from the back of the unit.**

3. The unit has been factory set to run on NG fuel. To reset the system to run on LP fuel, turn the two adjustment screws 1/2 turn clockwise. Use a large screwdriver to make this adjustment. Be sure to replace the plastic plug in the back of the enclosure once the adjustment has been made.
4. The fuel system will now allow the engine to run on LP fuel. It may be necessary to make minor adjustments to the set screw settings to achieve maximum power. If you experience problems with the unit producing maximum power, follow the procedure in Section 2.6 (Adjusting the Regulator).

## 1.9 LOCATION

### ◆ 1.9.1 GENERATOR

Install the generator set, in its protective enclosure, outdoors, where adequate cooling and ventilating air is always available. Consider these factors:

- Install the unit where air inlet and outlet openings will not become obstructed by leaves, grass, snow, etc. If prevailing winds will cause blowing or drifting, you may need to consider using windbreak to protect the unit.
- Install the generator on high ground where water levels will not rise and endanger it.
- Allow sufficient room on all sides of the generator for maintenance and servicing. A good rule is to allow 3 feet of space on all sides.
- Where strong prevailing winds blow from one direction, face the generator air inlet openings to the prevailing winds.
- Install the generator as close as possible to the fuel supply, to reduce the length of piping.
- Install the generator as close as possible to the transfer switch. HOWEVER, REMEMBER THAT LAWS OR CODES MAY REGULATE THE DISTANCE.

### ◆ 1.9.2 TRANSFER SWITCH

#### 1.9.2.1 7 kW, 12 kW and 15 kW Units

The transfer switch shipped with this generator is enclosed in a NEMA 1 enclosure. **This type of enclosure is intended for indoor use only.** Follow these rules:

- Install the transfer switch indoors on a firm, sturdy supporting structure.
- To prevent switch distortion, level the switch if necessary. This can be done by placing washers between the switch enclosure and mounting surface.
- Never install the switch where water or any corrosive substance might drip onto the enclosure.

- Protect the switch at all times against excessive moisture, dust, dirt, lint, construction grit and corrosive vapors.

## 1.10 BATTERY INSTALLATION

Fill the battery with the proper electrolyte fluid if necessary and have the battery fully charged before installing it.

Before installing and connecting the battery, complete the following steps:

1. Set the generator's Auto/Off/Manual switch to OFF.
2. Turn off utility power supply to the transfer switch.

### —▲ WARNING ▲—

- ▲ If the Auto/Off/Manual switch is not set to its OFF position, the generator can crank and start as soon as the battery cables are connected. If the utility power supply is not turned off, sparking can occur at the battery posts and cause an explosion.

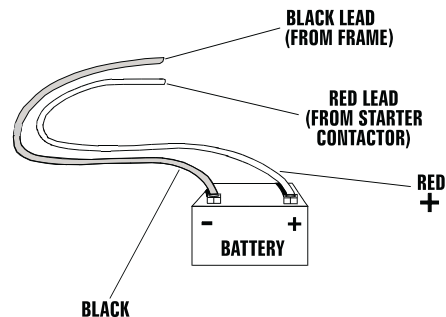
Battery cables were factory connected at the generator (Figure 1.5). Connect cables to battery posts as follows:

3. Connect the red battery cable (from starter contactor) to the battery post indicated by a positive, POS or (+).
4. Connect the black battery cable (from frame ground) to the battery post indicated by a negative, NEG or (—).

#### NOTE:

**Damage will result if battery connections are made in reverse.**

Figure 1.5 – Battery Cable Connections



**NOTE:**



**Your generator is equipped with a battery trickle charger that is active when your unit is set up for automatic operation. With the battery installed and utility power source voltage available to the transfer switch, the battery receives a trickle charge while the engine is not running, to prevent self-discharge. The trickle charger is designed to help extend the life of your battery by maintaining the battery when the unit is not running. The trickle charge feature cannot be used to recharge a discharged battery.**

**1.11 THE BATTERY**



Servicing of the battery is to be performed or supervised by personnel knowledgeable of batteries and the required precautions. Keep unauthorized personnel away from batteries.

When replacing the battery, use the following type of battery: Group 26/26R 12-volt battery with a rating of 350 cold-cranking amps minimum for 7 kW; 550 cold-cranking amps minimum for 12 and 15 kW at -17.8° C (0° F) minimum. When using a maintenance-free battery, it is not necessary to check the specific gravity or electrolyte level. Have these procedures performed at the intervals specified in the "Service Schedule." A negative ground system is used. Battery connections are shown on the wiring diagrams. Make sure the battery is correctly connected and terminals are tight. Observe battery polarity when connecting the battery to the generator set.

—  **DANGER**  —


-  Do not dispose of the battery in a fire. The battery is capable of exploding.
-  A battery presents a risk of electrical shock and high short circuit current. The following precautions are to be observed when working on batteries:
  - Remove watches, rings or other metal objects;
  - Use tools with insulated handles;
  - Wear rubber gloves and boots;
  - Do not lay tools or metal parts on top of the battery; and
  - Disconnect charging source prior to connecting or disconnecting battery terminals.



—  **WARNING**  —

-  Do not open or mutilate the battery. Released electrolyte has been known to be harmful to the skin and eyes, and to be toxic.
-  The electrolyte is a dilute sulfuric acid that is harmful to the skin and eyes. It is electrically conductive and corrosive.

The following procedures are to be observed:

- Wear full eye protection and protective clothing;
- Where electrolyte contacts the skin, wash it off immediately with water;
- Where electrolyte contacts the eyes, flush thoroughly and immediately with water and seek medical attention; and
- Spilled electrolyte is to be washed down with an acid neutralizing agent. A common practice is to use a solution of 1 pound (500 grams) bicarbonate of soda to 1 gallon (4 liters) or water. The bicarbonate of soda solution is to be added until the evidence of reaction (foaming) has ceased. The resulting liquid is to be flushed with water and the area dried.

 Lead-acid batteries present a risk of fire because they generate hydrogen gas. The following procedures are to be followed:


- DO NOT SMOKE when near the battery;
  - DO NOT cause flame or spark in battery area; and
  - Discharge static electricity from your body before touching the battery by first touching a grounded metal surface.
-  Be sure the Auto/Off/Manual switch is set to the OFF position before connecting the battery cables. If the switch is set to AUTO or MANUAL, the generator can crank and start as soon as the battery cables are connected.
  -  Be sure the utility power supply is turned off, or sparking may occur at the battery posts as you attach the cables and cause an explosion.

**2.1 BEFORE INITIAL START-UP**

Before starting, complete the following:

1. Set the generator's Auto/Off/Manual switch to the OFF position.
2. Turn OFF the utility power supply to the transfer switch using the means provided (such as the utility main line circuit breaker).
3. Check the engine crankcase oil level and, if necessary, fill to the dipstick FULL mark with the recommended oil. Do not fill above the FULL mark.
4. Check the fuel supply. Gaseous fuel lines must have been properly purged and leak tested in accordance with applicable fuel-gas codes. All fuel shutoff valves in the fuel supply lines must be open.


—  **CAUTION**  —

-  Never operate the engine with the oil level below the "Add" mark on the dipstick. Doing this could damage the engine.

## 2.2 CHECK TRANSFER SWITCH OPERATION

Refer to Section 3.5 (Page 14), of the owner's manual for manual operation procedures.




-  Do not attempt manual transfer switch operation until all power voltage supplies to the transfer switch have been positively turned off. Failure to turn off all power voltage supplies will result in extremely hazardous and possibly fatal electrical shock.

## 2.3 ELECTRICAL CHECKS


Complete electrical checks as follows:

1. Turn on the utility power supply to the transfer switch using the means provided (such as a utility main line circuit breaker).



-  The transfer switch is now electrically "hot." Contact with "hot" parts will result in extremely hazardous and possibly fatal electrical shock. Proceed with caution.
2. Use an accurate AC voltmeter to check utility power source voltage across terminals N1 and N2. Nominal line-to-line voltage should be 240 volts AC.
  3. Check utility power source voltage across terminals N1 and the transfer switch neutral lug; then across terminal N2 and neutral. Nominal line-to-neutral voltage should be 120 volts AC.
  4. When certain that utility supply voltage is compatible with transfer switch and load circuit ratings, turn OFF the utility power supply to the transfer switch.
  5. Set the generator's main circuit breaker to its OFF (or open) position. Initial tests will be conducted at no-load condition.
  6. On the generator panel, set the Auto/Off/Manual switch to MANUAL. The engine should crank and start.
  7. Let the engine warm up for about five minutes to allow internal temperatures to stabilize. Then, set the generator's main circuit breaker to its ON (or closed) position.



-  Proceed with caution! Generator power voltage is now supplied to the transfer switch. Contact with live transfer switch parts will result in dangerous and possibly fatal electrical shock.

8. Connect an accurate AC voltmeter and an AC frequency meter across transfer switch terminal lugs E1 and E2. Voltage should be 242-252 volts; frequency should read about 61-63 Hertz.
9. Connect the AC voltmeter test leads across terminal lug E1 and neutral; then across E2 and neutral. In both cases, voltage reading should be 121-126 volts AC.
10. Set the generator's main circuit breaker to its OFF (or open) position. Let the engine run at no-load for a few minutes to stabilize internal engine generator temperatures.
11. Set the generator's Auto/Off/Manual switch to OFF. The engine should shut down.

### NOTE:


**It is important that you do not proceed until you are certain that generator AC voltage and frequency are correct and within the stated limits. Generally, if both AC frequency and voltage are high or low, the engine governor requires adjustment. If frequency is correct, but voltage is high or low, the generator's voltage regulator requires adjustment.**

## 2.4 GENERATOR TESTS UNDER LOAD

To test the generator set with electrical loads applied, proceed as follows:

1. Set generator's main circuit breaker to its OFF (or open) position.
2. Set the generator's Auto/Off/Manual switch to OFF.
3. Turn OFF the utility power supply to the transfer switch, using the means provided (such as a utility main line circuit breaker).



-  Do not attempt manual transfer switch operation until all power voltage supplies to the transfer switch have been positively turned off. Failure to turn off all power voltage supplies will result in extremely hazardous and possibly fatal electrical shock.
4. Manually set the transfer switch to the STANDBY position, i.e., load terminals connected to the generator's E1/E2 terminals. The transfer switch operating lever should be down.
  5. Set the generator's Auto/Off/Manual switch to MANUAL. The engine should crank and start immediately.
  6. Let the engine stabilize and warm up for a few minutes.
  7. Set the generator's main circuit breaker to its ON (or closed) position. Loads are now powered by the standby generator.

8. Turn ON electrical loads. Apply an electrical load equal to the full rated wattage/amperage capacity of the installed generator.
9. Connect an accurate AC frequency meter across terminal lugs E1 and E2. Voltage should be greater than 230 volts; frequency should be greater than 58 Hertz.
10. Let the generator run at full rated load for 20-30 minutes. Listen for unusual noises, vibration or other indications of abnormal operation. Check for oil leaks, evidence of overheating, etc.
11. When testing under load is complete, turn OFF electrical loads.
12. Set the generator's main circuit breakers to their OFF (or open) positions.
13. Let the engine run at no-load for a few minutes.
14. Set the Auto/Off/Manual switch to OFF. The engine should shut down.

## 2.5 CHECKING AUTOMATIC OPERATION

To check the system for proper automatic operation, proceed as follows:

1. Check that the Auto/Off/Manual switch is set to OFF.
2. Manually set the transfer switch to the UTILITY position, i.e., load terminals connected to the utility power source side.
3. Turn ON the utility power supply to the transfer switch, using the means provided (such as a utility main line circuit breaker).
4. Set the Auto/Off/Manual switch to AUTO. The system is now ready for automatic operation.
5. Turn OFF the utility power supply to the transfer switch.

With the Auto/Off/Manual switch at AUTO, the engine should crank and start when the utility source power is turned OFF. After starting, the transfer switch should connect load circuits to the standby side. Let the system go through its entire automatic sequence of operation.

With the generator running and loads powered by generator AC output, turn ON the utility power supply to the transfer switch. The following should occur:

- After about six seconds, the switch should transfer loads back to the utility power source.
- About one minute after retransfer, the engine should shut down.

## 2.6 ADJUSTING THE REGULATOR (NATURAL GAS ONLY)

Although the generator has been factory set to provide maximum power, it may be necessary in some areas to adjust this setting. Because natural gas has different BTU or power content across the country the engine may not perform as designed.

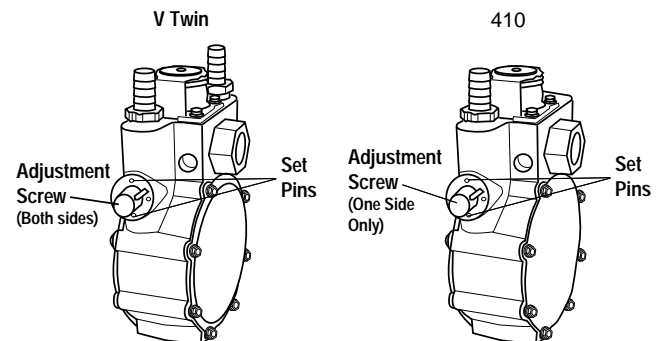
If you experience engine problems at high or full load conditions follow these steps. It will require a frequency meter to perform this procedure.

1. Turn off utility power to the main distribution panel in the house. This can be done by switching the service main breaker to the off or open position.
2. Allow the generator to start and the transfer switch to transfer load to emergency circuits.
3. Turn on appliances, lights, pumps, etc., that are on the emergency circuits in an attempt to fully load the generator. Be cautious not to overload the generator. Use the following chart as a guide:

Unit	120 Volts	240 Volts
7 kW	50.0 amps	25.0 amps
12 kW	83.3 amps	41.6 amps
15 kW	108.3 amps	54.1 amps

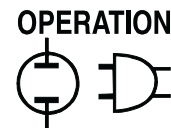
4. When full load has been achieved. Connect a frequency meter to the output lugs of the generator's main line circuit breaker.
5. The fuel regulator is fitted with one (7 kW), or two (12 and 15 kW) adjustment screws. While watching the frequency meter, slowly turn the adjustment screw clockwise or counterclockwise. Only limited adjustment is available between the set pins. Under no circumstances should any of the pins be removed (Figures 2.1 and 2.2).

Figure 2.1 — Dual Fuel Regulators



6. When the highest frequency is reached maximum power has been set.

OPERATION



### 2.7.3 ADDITIONAL CORROSION PROTECTION

Periodically spray all engine linkage parts and brackets with corrosion inhibiting spray such as WD-40 or a comparable product.

## 2.8 VOLTAGE REGULATOR ADJUSTMENT

With the frequency between 61-62 Hertz, slowly turn the slotted potentiometer (Figure 2.5) until line voltage reads 244-252 volts.

#### NOTE:

**You must remove the access panel on top of the control panel to adjust the voltage regulator.**

Figure 2.5 – Voltage Adjustment Potentiometer

#### NOTE:

**The voltage regulator is housed above the generator's control panel. The regulator maintains a voltage in direct proportion to frequency at a 2-to-1 ratio. For example, at 62 Hertz, line-to-neutral voltage will be 124 volts.**

## 3.1 BREAK-IN PROCEDURE

Once the unit has been installed and all electrical checks have been made, it is strongly recommended that the following "Break-in Procedure" be completed to ensure correct generator operation in the future.

1. Set the generator's Auto/Off/Manual switch to AUTO.
2. Turn OFF the utility power supply to the transfer switch using the means provided (such as a utility main line circuit breaker).
3. The unit will start, and the transfer switch will transfer to standby.
4. Using the transfer switch's built-in emergency load center, turn on circuits to load the generator to approximately 25% load and run the unit for one hour.

5. Run the unit for one hour at 50 percent load.
6. Run the unit for one hour at 75 percent load.
7. Run the unit for one hour at 100 percent load.
8. Turn ON the utility power supply to the transfer switch, which will allow the transfer switch to transfer back to utility power. The unit will continue to run for one minute and then shut down.
9. Allow the unit to cool.
10. Drain the oil and remove the oil filter. Replace the oil filter according to Section 4.4, "Changing the Oil Filter" (Page 16). Replace the oil with synthetic oil as recommended in Section 4.3, "Changing the Engine Oil" (Page 15).
11. The generator is now ready for service.

## 3.2 USING THE AUTO/OFF/MANUAL SWITCH (FIGURE 3.1)

### 3.2.1 "AUTO" POSITION

Selecting this switch position activates fully automatic system operation. It also allows you to start and exercise the engine every seven days with the setting of the exercise timer (see Section 3.6, Page 14). This position also is used for remote starting, when it is set up.

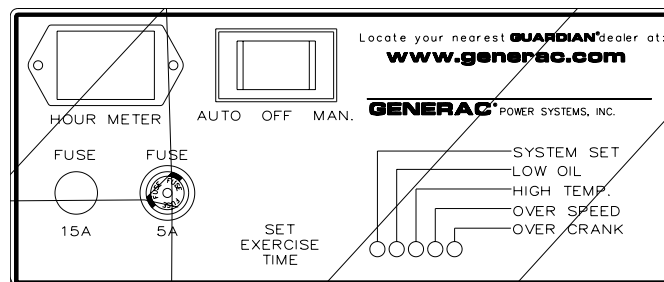
### 3.2.2 "OFF" POSITION

This switch position shuts down the engine. This position also prevents automatic operation.

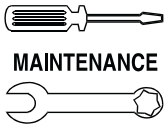
### 3.2.3 "MANUAL" POSITION

Set the switch to MANUAL to crank and start the engine. Transfer to standby power will not occur unless there is a utility failure.

Figure 3.1 – Generator Control Panel







MAINTENANCE

## Section 3 — Operation

Guardian Air-cooled 7 kW, 12 kW and 15 kW Generators

### ⚠ WARNING ⚠

- ⚠ With the switch set to AUTO, the engine may crank and start at any time without warning. Such automatic starting normally occurs when utility power source voltage drops below a preset level or during the normal exercise cycle. To prevent possible injury that might be caused by such sudden starts, always set the switch to OFF and remove the fuse before working on or around the generator or transfer switch. Then, place a “Do Not Operate” tag on the generator panel and on the transfer switch.

### 3.3 AUTOMATIC TRANSFER OPERATION

To select automatic operation, do the following:

1. Make sure the transfer switch main contacts are set to their “Utility” position, i.e., loads connected to the utility power source (Figure 3.2, Page 13).
2. Be sure that normal utility power source voltage is available to transfer switch terminal lugs N1 and N2.
3. Set the generator’s Auto/Off/Manual switch to AUTO.
4. Set the generator’s main circuit breaker to its ON (or closed) position.

With the preceding steps complete, the generator will start automatically when utility source voltage drops below a preset level. After the unit starts, loads are transferred to the standby power source. Refer to “Sequence of Automatic Operation.”

### 3.4 SEQUENCE OF AUTOMATIC OPERATION

The generator’s control panel houses a control logic circuit board. This board constantly monitors utility power source voltage. Should that voltage drop below a preset level, circuit board action will signal the engine to crank and start. After the engine starts, the circuit board signals the transfer switch to activate and connect load circuits to the standby power supply (load terminal lugs T1/T2 connect to terminal lugs E1/E2).

Upon restoration of utility source voltage above a preset level, generator circuit board action signals the transfer switch to transfer loads back to that power supply. After retransfer, the engine is signalled to shut down.

The actual sequence of operation is controlled by sensors and timers on a control logic circuit board, as follows:

#### A. Utility Voltage Dropout Sensor

- This sensor monitors utility source voltage.
- If utility source voltage drops below about 60 percent of the nominal supply voltage, the sensor energizes a 15-second timer.
- Once the timer has expired, the engine will crank and start.

#### B. Engine Warm-up Time Delay

- This mechanism lets the engine warm up for about 10 seconds before the load is transferred to a standby source.

#### C. Standby Voltage Sensor

- This sensor monitors generator AC output voltage. When the voltage has reached 50 percent of the nominal rated voltage, transfer to standby can occur.

#### D. Utility Voltage Pickup Sensor

- This sensor monitors utility power supply voltage. When that voltage is restored above 80 percent of the nominal source voltage, a retransfer time delay starts timing.

#### E. Retransfer Time Delay

- This timer runs for about 15 seconds.
- At end of a 15-second delay, circuit board action de-energizes transfer relay in the transfer switch.
- Retransfer to utility power source then occurs.

#### F. Engine Cool-down Timer

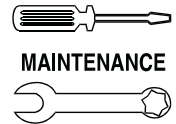
- When the load is transferred back to utility power source, the engine cool-down timer starts timing.
- The timer will run for about one minute, and the generator will then shut down.

### 3.5 MANUAL TRANSFER OPERATION

#### ◆ 3.5.1 TRANSFER TO GENERATOR POWER SOURCE

To start the generator and activate the transfer switch manually, proceed as follows:

1. Set the generator’s Auto/Off/Manual switch to OFF.
2. Set the generator’s main circuit breaker to its OFF (or open) position.
3. Turn OFF the utility power supply to the transfer switch using the means provided (such as a utility main line circuit breaker).

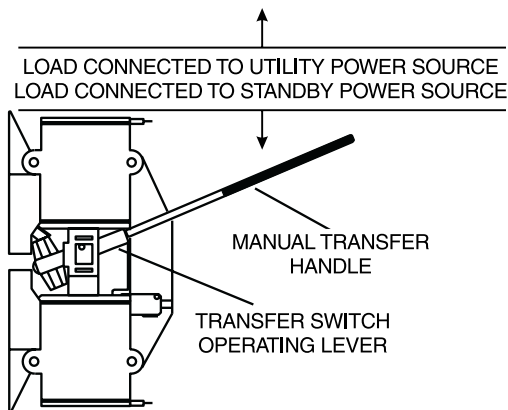


MAINTENANCE

## ⚠ DANGER ⚠

- ⚠ Do not attempt to activate the transfer switch manually until all power voltage supplies to the switch have been positively turned off. Failure to turn off all power voltage supplies may result in extremely hazardous and possibly fatal electrical shock.
- Use the manual transfer handle inside the transfer switch to move the main contacts to their “Standby” position, i.e., loads connected to the standby power source (Figure 3.2).

**Figure 3.2 – Manual Transfer Switch Operation**



- Turn ON the utility power supply to the transfer switch using the means provided (such as a utility main line circuit breaker).
- To crank and start the engine, set the Auto/Off/Manual switch to MANUAL.
- Let the engine stabilize and warm up for a few minutes.
- Set the generator’s main circuit breaker to its ON (or closed) position. The standby power source now powers the loads.

### ◆ 3.5.2 TRANSFER BACK TO UTILITY POWER SOURCE

When utility power has been restored, you will want to transfer back to that source and shut down the generator. This can be accomplished as follows:

- Set the generator’s main circuit breaker to its OFF (or open) position.
- Let the engine run for a minute or two at no-load to stabilize the internal temperatures.
- Set the generator’s Auto/Off/Manual switch to its OFF (or open) position. The engine should shut down.
- Check that utility power supply to the transfer switch is turned OFF.

## ⚠ DANGER ⚠

- ⚠ Do not attempt to activate the transfer switch manually until all power voltage supplies to the switch have been positively turned off. Failure to turn off all power voltage supplies may result in extremely hazardous and possibly fatal electrical shock.
- Use the manual transfer handle inside the transfer switch to move the main contacts back to their “Utility” position, i.e., loads connected to the utility power source (Figure 3.2 on page 13).
  - Turn ON the utility power supply to the transfer switch using the means provided.
  - Set the system to automatic operation as outlined in “Automatic Transfer Operation,” Section 3.3 (Page 12).

### 3.6 SETTING THE EXERCISE TIMER

Your generator is equipped with an exercise timer. Once it is set, the generator will start and exercise once every seven days, on the day of the week and at the time of day you complete the following sequence. During this exercise period, the unit runs for approximately 12 minutes and then shuts down. Transfer of loads to the generator output does not occur during the exercise cycle.

A switch on the control panel (see Figure 3.1, Page 12) allows you to select the day and time for system exercise. To select the desired day and time of day, you must perform the following sequence at that time.

- Verify that the Auto/Off/Manual switch is set to AUTO.
- Hold down the set timer switch until the generator starts (approximately 10 seconds) and then release.
- The generator will start and run for approximately 12 minutes and then shut down on its own. The exerciser will then be set to run at that time of day every week.

#### NOTE:

**The exerciser will only work in the AUTO mode and will not work unless this procedure is performed. The exerciser will need to be reset every time the 12-volt battery is disconnected and then reconnected. The exerciser WILL NOT work if dip switch 2 (Remote Not Auto) is ON.**

## 3.7 PROTECTION SYSTEMS

### 3.7.1 LOW OIL PRESSURE SWITCH

This switch (Figure 3.3) has normally closed contacts that are held open by engine oil pressure during cranking and operating. Should oil pressure drop below the 8 psi range, switch contacts close, and the engine shuts down. The unit should not be restarted until oil is added, and the Auto/Off/Manual switch must be turned to OFF and then back to AUTO.

### 3.7.2 HIGH TEMPERATURE SWITCH

This switch's (Figure 3.3) contacts close if the temperature should exceed approximately 140° C (284° F), initiating an engine shutdown. Your generator will automatically restart and the LED will reset once the temperature has returned to a safe operating level.

*Figure 3.3 – Low Oil Pressure and High Temperature Switches*

### 3.7.3 OVERCRANK

This feature prevents the generator from damaging itself when it continually attempts to start and another problem, such as no fuel supply, prevents it from starting. The unit will crank and rest for a preset time limit. Then, it will stop cranking, and the LED will light indicating an overcrank failure. The Auto/Off/Manual switch will need to be set to OFF and then back to AUTO to reset the generator control board.

**NOTE:**

**If the fault is not repaired, the overcrank feature will continue to activate.**

#### 3.7.3.1 Approximate Crank Cycle Times

- 15 seconds ON
- 7 seconds OFF
- 7 seconds ON
- 7 seconds OFF
- Repeat for 45 seconds
- Approximately 90 seconds total

### 3.7.4 OVERSPEED

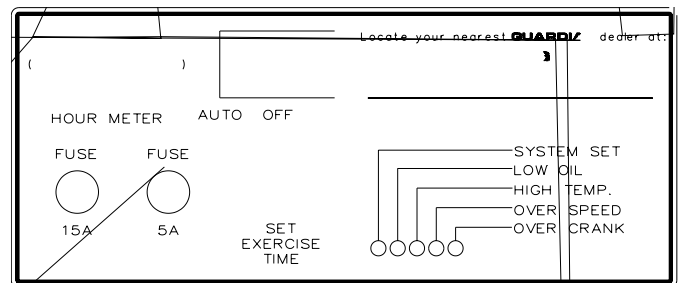
This feature protects the generator from damage by shutting it down if it happens to run faster than the preset limit. This protection also prevents the generator from supplying an output that could potentially damage appliances connected to the generator circuit. Contact your nearest Generac/Guardian Authorized Dealer if this failure occurs.

## 4.1 FUSE

The generator panel's 15 amp fuse (Figure 4.1) protects the DC control circuit against overload. The fuse is wired in series with the battery output lead to the panel. If the fuse element has melted open, you cannot crank or start the engine. You should replace the fuse using only an identical 15-amp replacement.

The generator panel's 5 amp fuse protects the battery charge circuit against overload. If the fuse element has melted open, you will not have battery charging capability. You should replace the fuse using only an identical 5 amp replacement. To remove fuse, push cap down and rotate counterclockwise.

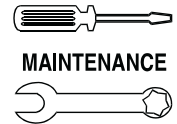
*Figure 4.1 – Generator Control Panel*



## 4.2 CHECKING THE ENGINE OIL LEVEL

For oil capacities, see "Specifications," Section 1.5 (Page 6). For engine oil recommendations, see Section 4.3.1. To check the engine oil level, proceed as follows (Figure 4.2):

1. Start the generator by moving the Auto/Off/Manual switch to the MANUAL position. Allow it to run for a short while and then shut it down by moving the switch to the OFF position.
2. Remove the dipstick and wipe it dry with a clean cloth.
3. Install the dipstick; then, remove it again. The oil level should be at the dipstick "Full" mark. If necessary, add oil to the "Full" mark only. DO NOT FILL ABOVE THE "FULL" MARK.



**CAUTION**

Never operate the engine with the oil level below the “Add” mark on the dipstick. Doing this could damage the engine.

4. Install the dipstick.
5. Reset the Auto/Off/Manual switch to its original position.

Figure 4.2 — Oil Dipstick and Fill, 7 kW

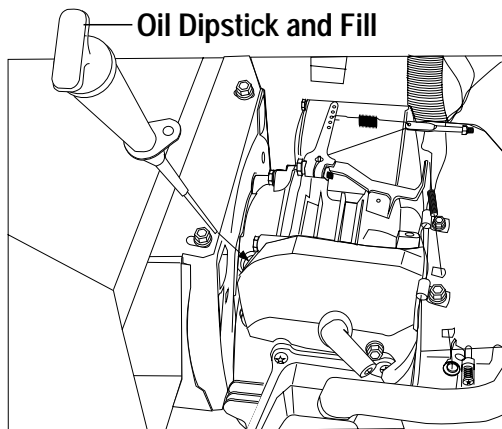
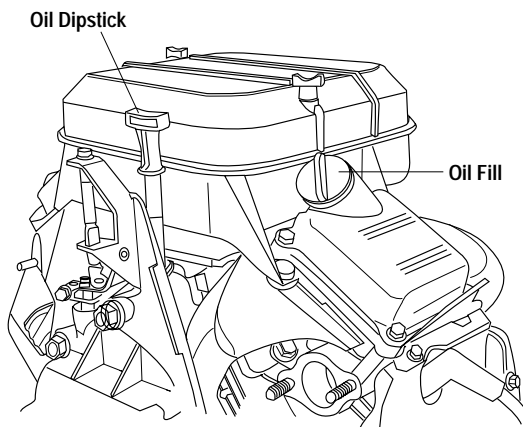


Figure 4.3 — Oil Dipstick and Fill, 12 kW and 15 kW



## 4.3 CHANGING THE ENGINE OIL

### ◆ 4.3.1 ENGINE OIL RECOMMENDATIONS

Use oil of American Petroleum Institute (API) Service Class SG, SH or SJ. Use all season SAE 5W-30 Synthetic oil. Organic break-in oil is required before using synthetic oil.

**NOTE:**

The unit is supplied with “break-in” oil. See the “Break-in Procedure,” Section 3.1 (Page 12), for the first required oil change.

**CAUTION**

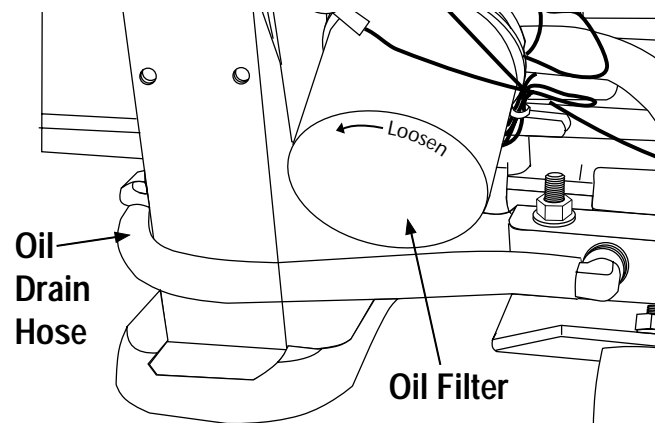
Any attempt to crank or start the engine before it has been properly serviced with the recommended oil may result in an engine failure.

### ◆ 4.3.2 OIL CHANGE PROCEDURE

To change the oil, proceed as follows:

1. Run the engine until it is thoroughly warmed up then shut OFF the engine.
2. Immediately after the engine shuts OFF, pull the oil drain hose (Figure 4.4) free of its retaining clip. Remove the cap from the hose and drain the oil into a suitable container.

Figure 4.4 – Oil Drain Hose and Filter



3. After the oil has drained, replace the cap onto the end of the oil drain hose. Retain the hose in the clip.
4. Refill with the proper recommended oil (see Section 4.3.1). See Section 1.5.2 (Page 6) for oil capacities.

## 4.4 CHANGING THE OIL FILTER

Change the engine oil filter as follows:

1. With the oil drained, remove the old oil filter by turning it counterclockwise.
2. Apply a light coating of clean engine oil to the gasket of the new filter. See Section 1.5.1 (Page 6) for recommended filter.
3. Screw the new filter on by hand until its gasket lightly contacts the oil filter adapter. Then, tighten the filter an additional 3/4 to one turn (Figure 4.4).
4. Refill with the proper recommended oil (see Section 4.3.1, Page 15). See Section 1.5.2 (Page 6) for oil capacities.
5. Start the engine and check for leaks.

## 4.5 CHANGING THE ENGINE AIR CLEANER

### 4.5.1 7 KW, 12 KW AND 15 KW GENERATORS

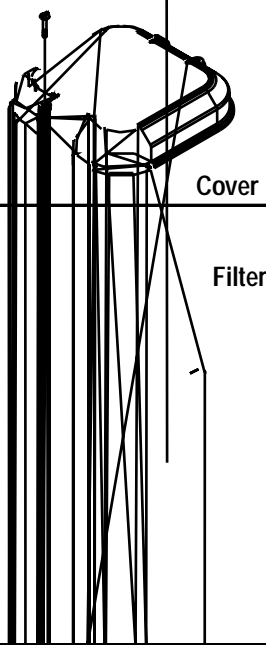
See Figures 1.2 and 1.3, (Page 5), for the location of your air cleaner. Use the following procedure (Figure 4.6):

1. Turn the two screws counterclockwise to loosen.
2. Remove the cover and air filter.
3. Wipe away dust or debris from inside of the air box and around edges.
4. Install the new air cleaner into the air box.
5. Install the cover. Turn the two cover screws clockwise to tighten.

See the "Service Schedule," Section 4.11 (Page 19) for air cleaner maintenance. See Section 1.5.1 (Page 6) for air filter replacement part number.

Figure 4.6 — 7 kW, Engine Air Cleaner Location

Figure 4.7 — 12 kW and 15 kW Engine Air Cleaner

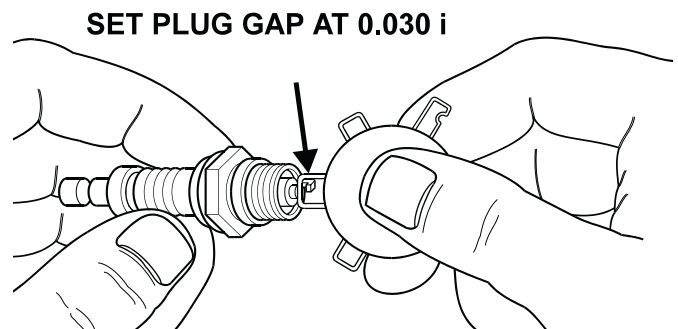


## 4.6 SPARK PLUG(S)

Reset the spark plug(s) gap or replace the spark plug(s) as necessary. See Section 4.11 (Page 19) for maintenance requirements.

1. Clean the area around the base of the spark plug(s) to keep dirt and debris out of the engine. Clean by scraping or washing using a wire brush and commercial solvent. Do not blast the spark plug(s) to clean.
2. Remove the spark plug(s) and check the condition. Replace the spark plug(s) if worn or if reuse is questionable. See Section 4.11 (Page 20) for recommended inspection.
3. Check the spark plug gap using a wire feeler gauge. Adjust the gap to 0.76 mm (0.030 inch) for 7 kW and 0.50 mm (0.020 inch) for 12/15 kW by carefully bending the ground electrode (Figure 4.8).

Figure 4.8 – Setting the Spark Plug Gap



## 4.7 BATTERY MAINTENANCE

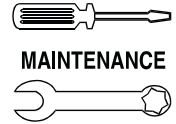
The battery should be inspected per the "Service Schedule," Section 4.11 (Page 19). The following procedure should be followed for inspection:

1. Inspect the battery posts and cables for tightness and corrosion. Tighten and clean as necessary.
2. Check the battery fluid level of unsealed batteries and, if necessary, fill with **DISTILLED WATER ONLY. DO NOT USE TAP WATER IN BATTERIES.**
3. Have the state of charge and condition checked. This should be done with an automotive-type battery hydrometer.

— **⚠ DANGER ⚠** —

- ⚠ Do not dispose of the battery in a fire. The battery is capable of exploding.
- ⚠ A battery presents a risk of electrical shock and high short circuit current. The following precautions are to be observed when working on batteries:





MAINTENANCE

- Remove watches, rings or other metal objects;
- Use tools with insulated handles;
- Wear rubber gloves and boots;
- Do not lay tools or metal parts on top of the battery; and
- Disconnect charging source prior to connecting or disconnecting battery terminals.

### —▲ WARNING ▲—

- ▲ Do not open or mutilate the battery. Released electrolyte has been known to be harmful to the skin and eyes, and to be toxic.
- ▲ The electrolyte is a dilute sulfuric acid that is harmful to the skin and eyes. It is electrically conductive and corrosive. The following procedures are to be observed:
  - Wear full eye protection and protective clothing;
  - Where electrolyte contacts the skin, wash it off immediately with water;
  - Where electrolyte contacts the eyes, flush thoroughly and immediately with water and seek medical attention; and
  - Spilled electrolyte is to be washed down with an acid neutralizing agent. A common practice is to use a solution of 1 pound (500 grams) bicarbonate of soda to 1 gallon (4 liters) or water. The bicarbonate of soda solution is to be added until the evidence of reaction (foaming) has ceased. The resulting liquid is to be flushed with water and the area dried.
- ▲ Lead-acid batteries present a risk of fire because they generate hydrogen gas. The following procedures are to be followed:
  - DO NOT SMOKE when near the battery;
  - DO NOT cause flame or spark in battery area; and
  - Discharge static electricity from your body before touching the battery by first touching a grounded metal surface.
- ▲ Be sure the Auto/Off/Manual switch is set to the OFF position before connecting the battery cables. If the switch is set to AUTO or MANUAL, the generator can crank and start as soon as the battery cables are connected.
- ▲ Be sure the utility power supply is turned off, or sparking may occur at the battery posts as you attach the cables and cause an explosion.

## 4.8 ADJUSTING VALVE CLEARANCE

**After the first 50 hours of operation, you should adjust the valve clearance in the engine.**

**Important:** If you feel uncomfortable about doing this procedure or you don't have the proper tools, please contact your Generac Authorized dealer for service assistance. This is a very important step to insure longest life for your engine.

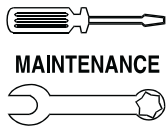
### To adjust valve clearance:

- Make sure the engine is at room temperature.
- Make sure that the spark plug wire is removed from the spark plug and out of the way.
- Remove the four screws attaching the valve cover with a #2 or #3 phillips screwdriver.
- Make sure the piston is at Top Dead Center (TDC) of its compression stroke (both valves closed). To get the piston at TDC, remove the intake screen at the front of the engine to gain access to the flywheel nut. Use a large socket and socket wrench to rotate the nut and hence the engine. While watching the piston through the spark plug hole. The piston should move up and down. The piston is at TDC when it is up as high as it can go.
- Loosen the rocker jam nut. Use an 10mm allen wrench to turn the pivot ball stud while checking clearance between the rocker arm and the valve stem with a feeler gauge. Correct clearance is 0.002-0.004 inch (0.05-0.1 mm).

### NOTE:

**You must hold the rocker arm jam nut in place as you turn the pivot ball stud.**

When valve clearance is correct, hold the pivot ball stud in place with the allen wrench and tighten the rocker arm jam nut. Tighten the jam nut to 174 in/lbs. torque. After tightening the jam nut, recheck valve clearance to make sure it did not change.

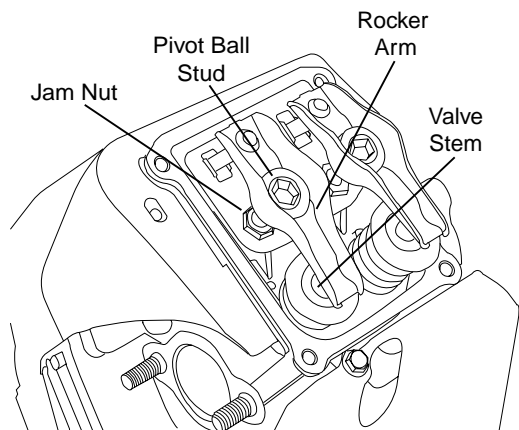


MAINTENANCE

## Section 4 – Maintenance

Guardian Air-cooled 7 kW, 12 kW and 15 kW Generators

Figure 4.10 - Valve Clearance Adjustment



- Install new valve cover gasket.
- Re-attach the valve cover.

### NOTE:

**Start all four screws before tightening or you will not be able to get all the screws in place. Make sure the valve cover gasket is in place.**

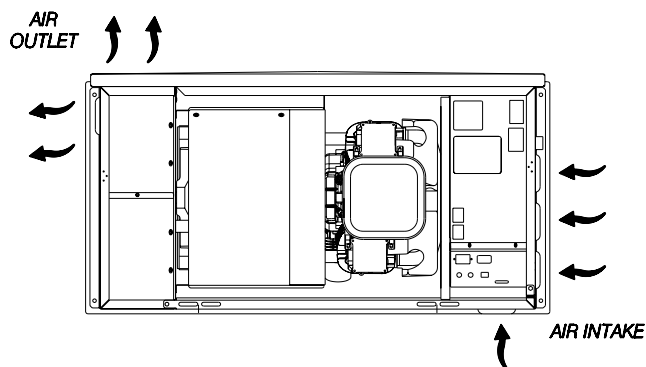
- Re-attach the spark plug wire to the spark plug.
- Repeat the process for the other cylinder.

## 4.9 COOLING SYSTEM

Air inlet and outlet openings in the generator compartment must be open and unobstructed for continued proper operation. This includes such obstructions as high grass, weeds, brush, leaves and snow.

Without sufficient cooling and ventilating air flow, the engine/generator quickly overheats, which causes it to quickly shut down. (See Figure 4.9 for vent locations.)

Figure 4.9 – Cooling Vent Locations



### —▲ WARNING ▲—

- ▲ The exhaust from this product gets extremely hot and remains hot after shutdown. High grass, weeds, brush, leaves, etc. must remain clear of the exhaust. Such materials may ignite and burn from the heat of the exhaust system.

### —▲ CAUTION ▲—

- ▲ The maximum ambient temperature for your generator is 48.9° C (104° F).

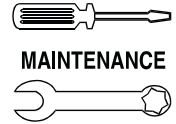
## 4.10 ATTENTION AFTER SUBMERSION

If the generator has been submerged in water, it **MUST NOT** be started and operated. Following any submersion in water, have a Generac/Guardian Authorized Dealer thoroughly clean and dry the generator.

## 4.11 CORROSION PROTECTION

Periodically wash and wax the enclosure using automotive type products. Frequent washing is recommended in salt water/coastal areas. Spray engine linkages with a light oil such as WD-40.





## 4.12 OUT OF SERVICE PROCEDURE

### ◆ 4.12.1 REMOVAL FROM SERVICE

If you cannot exercise the generator every seven days, and it is to be out of service longer than 90 days, prepare the generator for storage as follows:

1. Start the engine and let it warm up.
2. Close the fuel shutoff valve in the fuel supply line and allow the unit to shut down.
3. Once the unit has shut down, it will signal a low oil fault.
4. Set the Auto/Off/Manual switch to OFF and turn off the utility power to the transfer switch.
5. While the engine is still warm from running, drain the oil completely. Refill the crankcase with oil. See "Engine Oil Recommendations," Section 4.3.1 (Page 15).
6. Attach a tag to the engine indicating the viscosity and classification of the oil in the crankcase.
7. Remove the spark plug(s) and spray fogging agent into the spark plug(s) threaded openings. Reinstall and tighten the spark plug(s).
8. Remove the battery and store it in a cool, dry room on a wooden board. Never store the battery on any concrete or earthen floor.
9. Clean and wipe the entire generator.

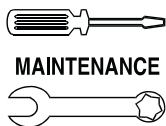
### ◆ 4.12.2 RETURN TO SERVICE

To return the unit to service after storage, proceed as follows:

1. Verify that utility power is turned off and that the Auto/Off/Manual switch is set to OFF.
2. Check the tag on the engine for oil viscosity and classification. Verify that the correct recommended oil is used in the engine (see Section 4.3.1, Page 15). If necessary, drain and refill with the proper oil.
3. Check the state of the battery. Fill all cells of unsealed batteries to the proper level with distilled water. **DO NOT USE TAP WATER IN THE BATTERY.** Recharge the battery to 100 percent state of charge, or, if defective, replace the battery. See "Specifications," Section 1.5 (Page 6), for type and size.
4. Clean and wipe the entire generator.
5. Reconnect the battery. Observe battery polarity. Damage may occur if the battery is connected incorrectly.
6. Open the fuel shutoff valve.
7. Start the unit by moving the Auto/Off/Manual switch to MANUAL. Allow the unit to warm up thoroughly.
8. Stop the unit and set the Auto/Off/Manual switch to AUTO.
9. Turn on the utility power to the transfer switch.
10. Your generator is now ready for service.

#### **NOTE:**

**If the battery was dead or disconnected, you must reset the exercise timer.**



## Section 4 – Maintenance

Guardian Air-cooled 7 kW, 12 kW and 15 kW Generators

### 4.13 SERVICE SCHEDULE

**ATTENTION:** It is recommended that all service work be performed by your nearest Generac/Guardian Authorized Dealer.

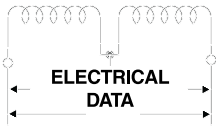
SYSTEM/COMPONENT	PROCEDURE			FREQUENCY
	Inspect	Change	Clean	
<b>X</b> = Action <b>R</b> = Replace as Necessary <b>*</b> = Notify Dealer if Repair is Needed.				<b>W</b> = Weekly <b>M</b> = Monthly <b>Y</b> = Yearly <b>H</b> = Hours
<b>FUEL</b>				
Fuel lines and connections*	X			M
<b>LUBRICATION</b>				
Oil level	X			M
Oil		X		AFTER BREAK-IN, EVERY 100 H AND Y
Oil filter		X		AFTER BREAK-IN, EVERY 200 H AND Y
<b>COOLING</b>				
Enclosure louvers	X		X	W
<b>BATTERY</b>				
Remove corrosion, ensure dryness	X		X	M
Clean and tighten battery terminals	X		X	M
Check charge state	X	R		EVERY 6 M
Electrolyte level (unsealed batteries only)*	X	R		EVERY 6 M
<b>ENGINE AND MOUNTING</b>				
Air cleaner	X	R		100 H AND Y
Spark plug(s)	X	R		100 H AND Y
<b>GENERAL CONDITION</b>				
Vibration, Noise, Leakage, Temperature*	X			M
<b>COMPLETE TUNE-UP*</b>	TO BE COMPLETED BY A GENERAC/ GUARDIAN AUTHORIZED DEALER			Y



## 5.1 TROUBLESHOOTING GUIDE

PROBLEM	CAUSE	CORRECTION
The engine will not crank.	<ol style="list-style-type: none"> <li>1. Fuse blown</li> <li>2. Loose, corroded or defective battery cables</li> <li>3. Defective starter contactor (7 kW)</li> <li>4. Defective starter motor</li> <li>5. Dead Battery</li> </ol>	<ol style="list-style-type: none"> <li>1. Replace fuse.</li> <li>2. Tighten, clean or replace as necessary.</li> <li>3. *</li> <li>4. *</li> <li>5. Charge or replace battery.</li> </ol>
The engine cranks but will not start.	<ol style="list-style-type: none"> <li>1. Out of fuel</li> <li>2. Defective fuel solenoid (FS)</li> <li>3. Open #14 wire from engine control board</li> <li>4. Defective spark plug(s)</li> <li>5. Valve lash out of adjustment.</li> </ol>	<ol style="list-style-type: none"> <li>1. Replenish fuel.</li> <li>2. *</li> <li>3. *</li> <li>4. Clean, re-gap or replace plug(s).</li> <li>5. Reset valve lash.</li> </ol>
The engine starts hard and runs rough.	<ol style="list-style-type: none"> <li>1. Air cleaner plugged or damaged</li> <li>2. Defective spark plug(s)</li> </ol>	<ol style="list-style-type: none"> <li>1. Check, replace air cleaner.</li> <li>2. Clean, re-gap or replace plug(s).</li> </ol>
The Auto/Off/Manual switch is set to OFF, but the engine continues to run.	<ol style="list-style-type: none"> <li>1. Defective switch</li> <li>2. Auto/Off/Manual switch wired incorrectly</li> <li>3. Defective control board</li> </ol>	<ol style="list-style-type: none"> <li>1. *</li> <li>2. *</li> <li>3. *</li> </ol>
There is no AC output from the generator.	<ol style="list-style-type: none"> <li>1. Main line circuit breaker open</li> <li>2. Generator internal failure</li> </ol>	<ol style="list-style-type: none"> <li>1. Reset circuit breaker to ON (or closed).</li> <li>2. *</li> </ol>
There is no transfer to standby after utility source failure.	<ol style="list-style-type: none"> <li>1. Defective transfer switch coil</li> <li>2. Defective transfer relay</li> <li>3. Transfer relay circuit open</li> <li>4. Defective control logic board</li> </ol>	<ol style="list-style-type: none"> <li>1. *</li> <li>2. *</li> <li>3. *</li> <li>4. *</li> </ol>
Unit consumes large amounts of oil.	<ol style="list-style-type: none"> <li>1. Break-in procedure not followed (see Section 2.1)</li> </ol>	<ol style="list-style-type: none"> <li>1. *</li> </ol>

**\*Contact your nearest Generac/Guardian Authorized Dealer for assistance.**



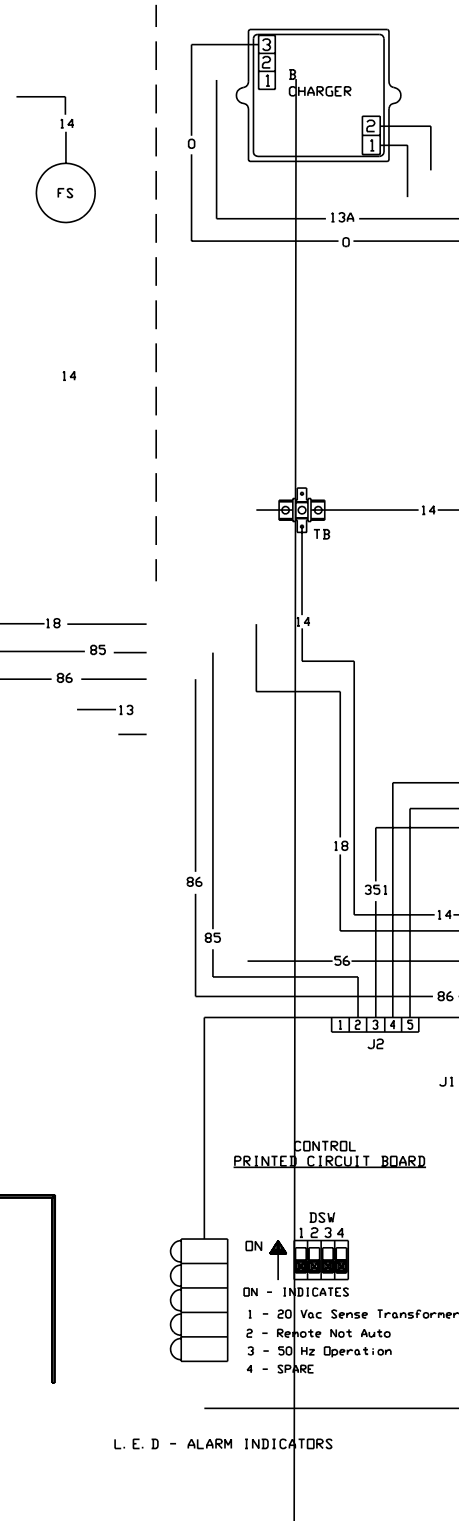
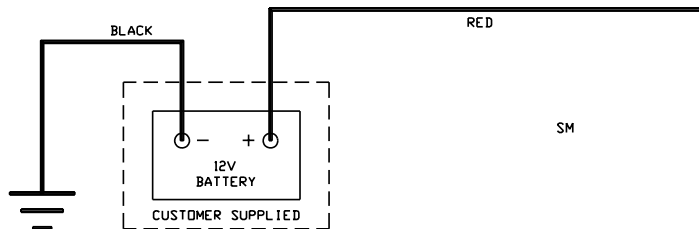
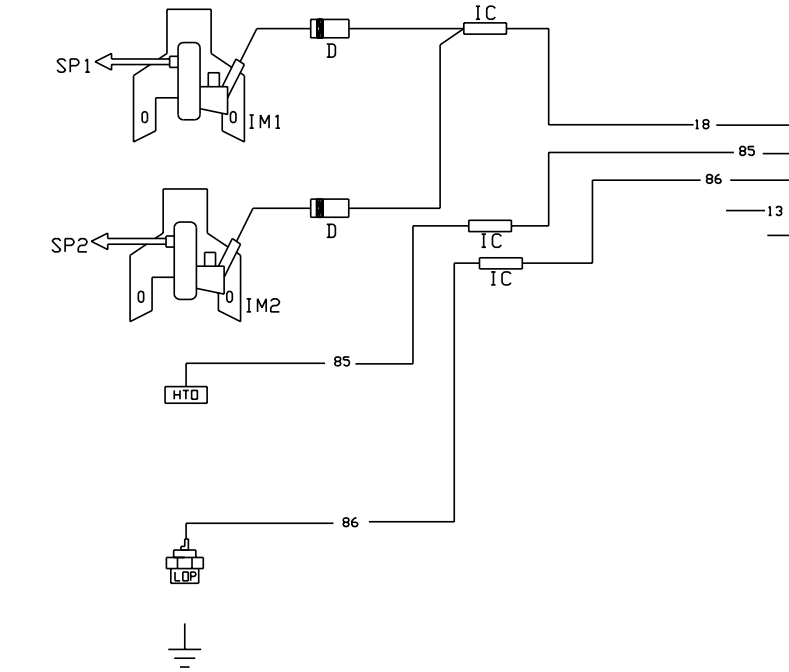
## Section 6 – Electrical Data

### Guardian Air-cooled 7 kW, 12 kW and 15 kW Generators Wiring Diagram – 12 & 15 kW – Drawing No. 0C7830-B

#### DIAGRAM KEY

- BA - BRUSH ASSEMBLY
- CB1 - MAIN OUTPUT BREAKER
- CB2 - CIRCUIT BREAKER, ALTERNATOR EXCITATION
- D - DIODE
- DSW - PCB MOUNTED DIP SWITCH
- FS - FUEL SOLENOID
- F1 - FUSE 15 AMP
  
- GRD - CONTROL PANEL GROUND
- HTD - HIGH OIL TEMPERATURE SWITCH
- HM - HOUR METER
- IC - INLINE CONNECTOR
- ICT - INTERCONNECTION TERMINALS
- IM1 - IGNITION MODULE, CYLINDER #1
- IM2 - IGNITION MODULE, CYLINDER #2
- LDP - LOW OIL PRESSURE SWITCH
- RAR - REMOTE ALARM RELAY
  
- SP1, SP2 - SPARK PLUGS
- SW1 - AUTO / OFF / MANUAL SWITCH
- SW2 - SET EXERCISE SWITCH
- SM - STARTER MOTOR
- TB - INSULATED TERMINAL BLOCK
- TX - TRANSFORMER, 16 Vac 56 VA & 16 Vac 1 VA (DUAL SEC.)

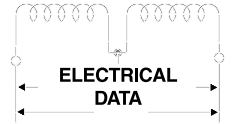
#### ENGINE WIRING



L. E. D - ALARM INDICATORS

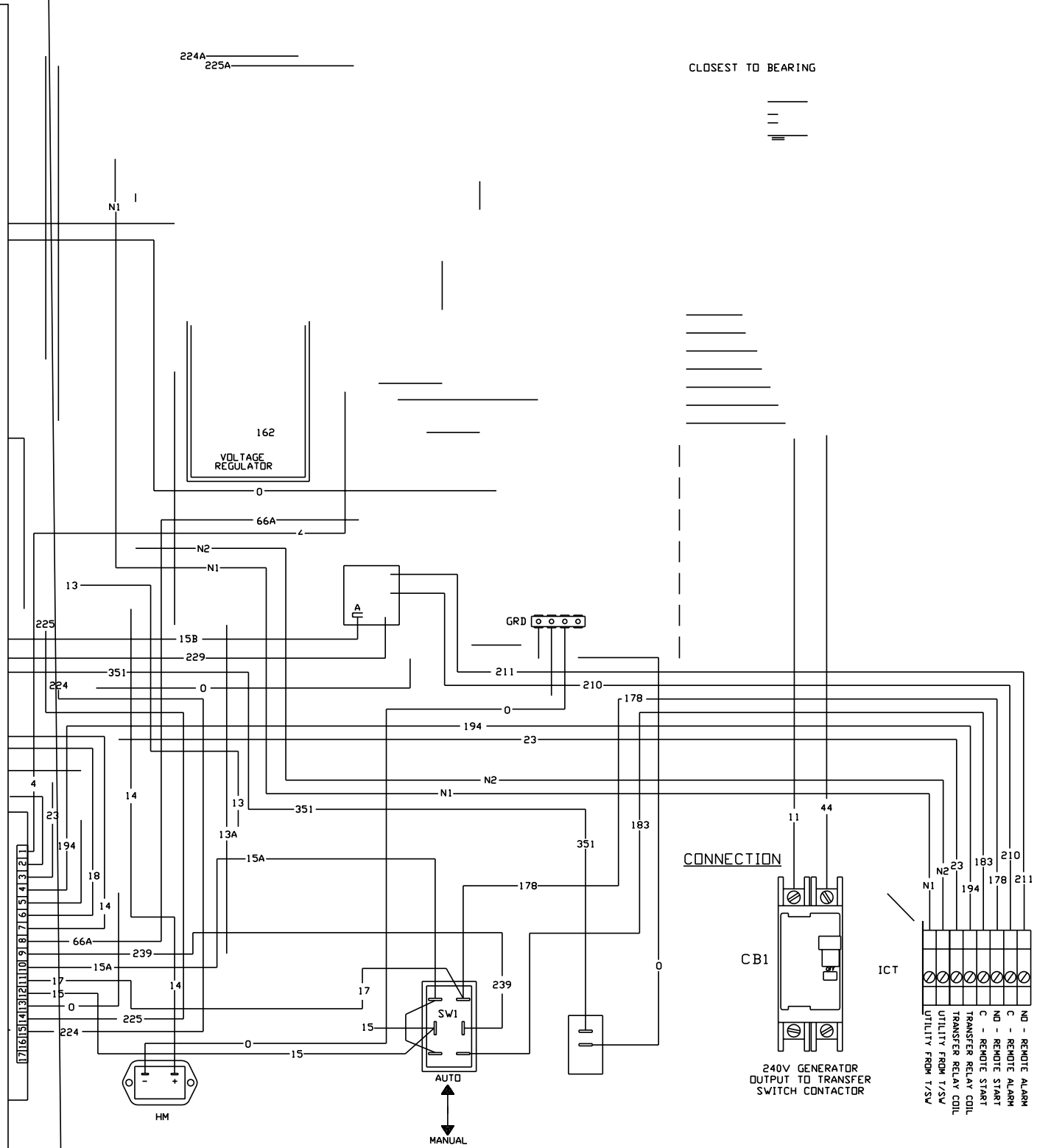
Section 6 – Electrical Data

Guardian Air-cooled 7 kW, 12 kW and 15 kW Generators  
Wiring Diagram – 12 & 15 kW – Drawing No. 0C7830-B

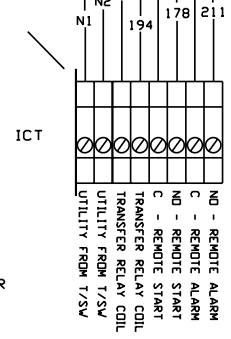
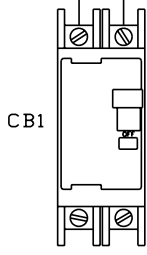


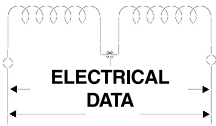
224A  
225A

CLOSEST TO BEARING



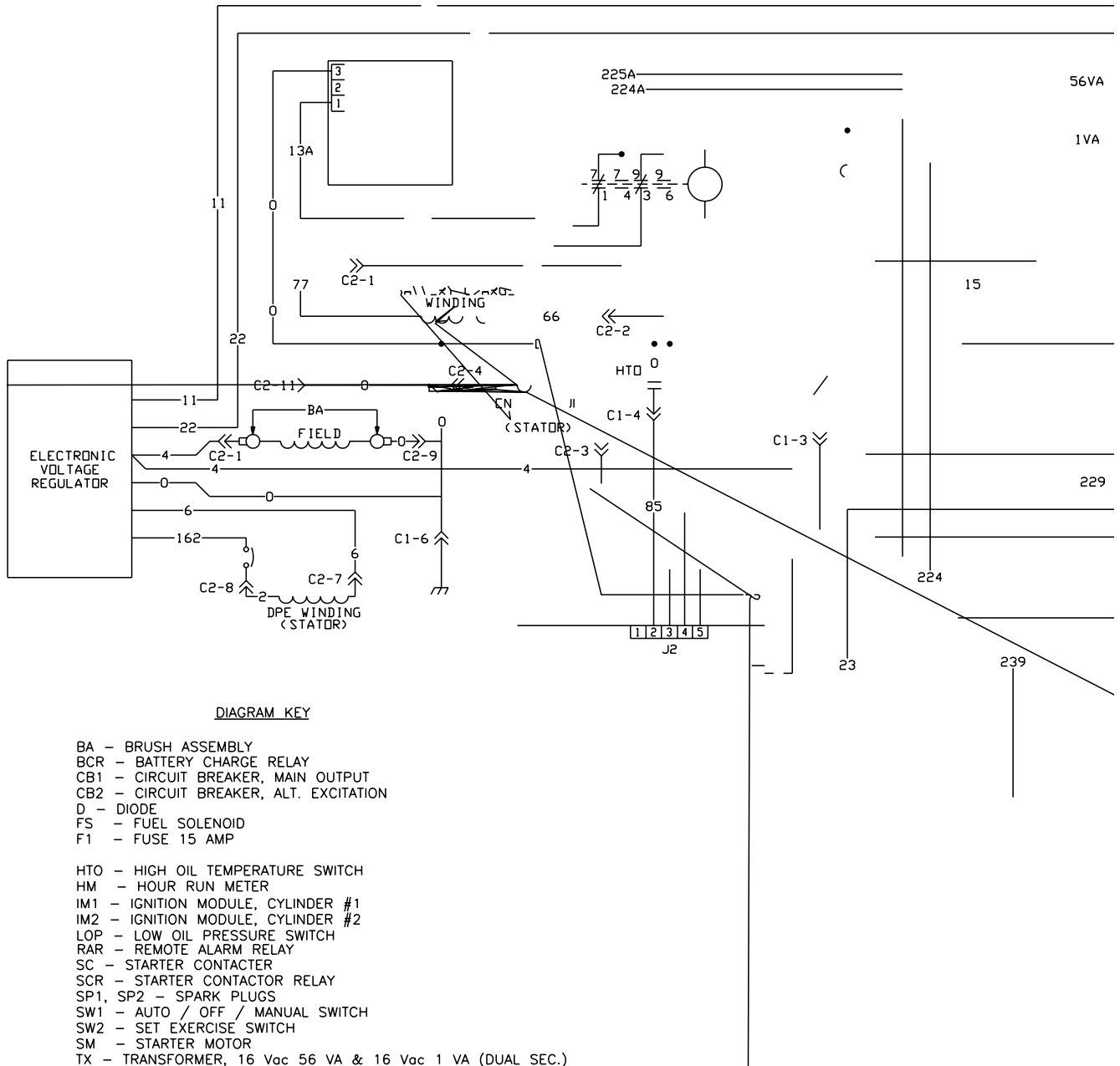
CONNECTION





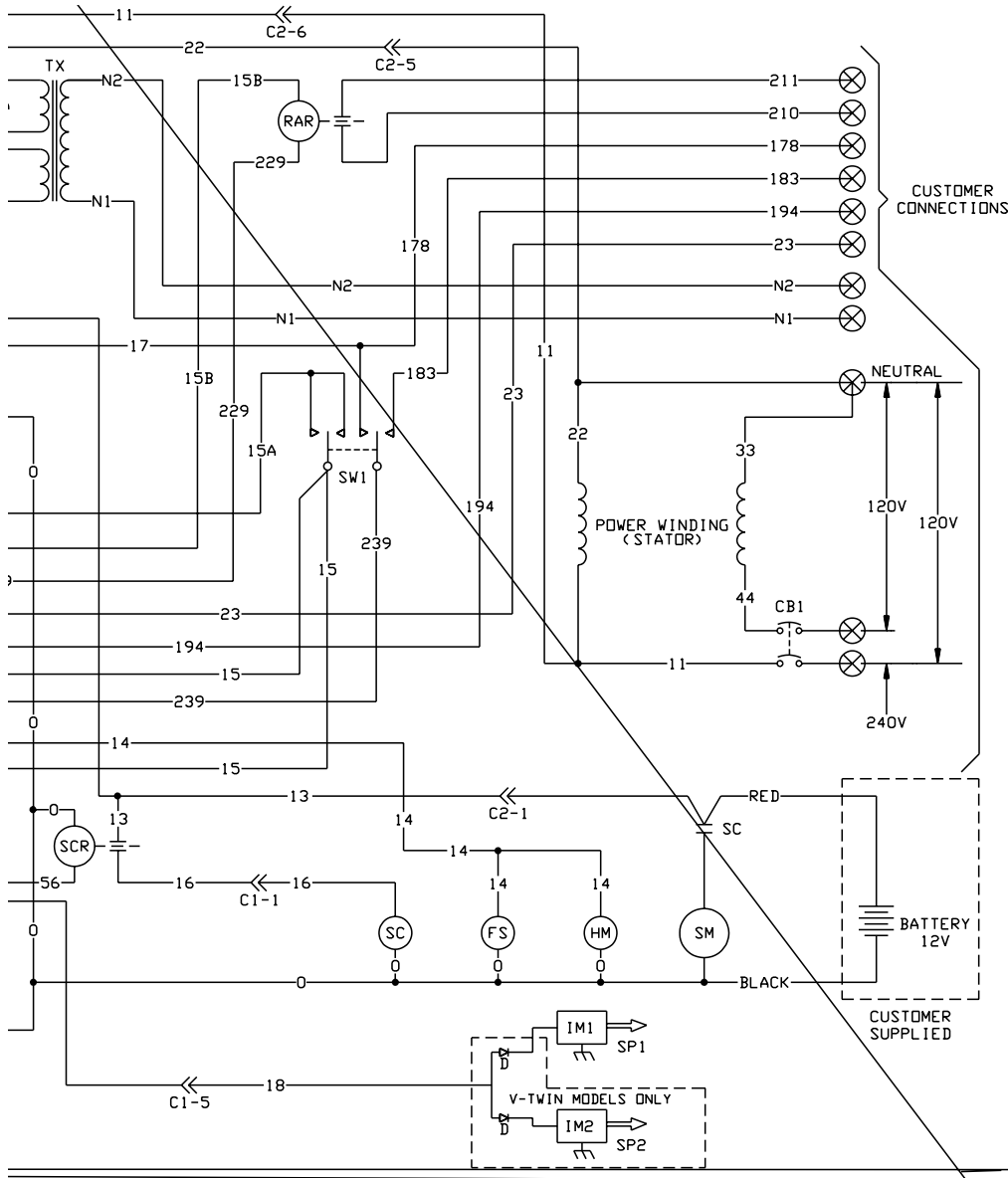
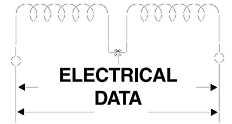
## Section 6 – Electrical Data

### Guardian Air-cooled 7 kW, 12 kW and 15 kW Generators Electrical Schematic – 12 & 15 kW – Drawing No. 0C7836-B

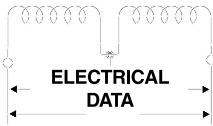


Section 6 – Electrical Data

Guardian Air-cooled 7 kW, 12 kW and 15 kW Generators  
 Electrical Schematic – 12 & 15 kW – Drawing No. 0C7836-B

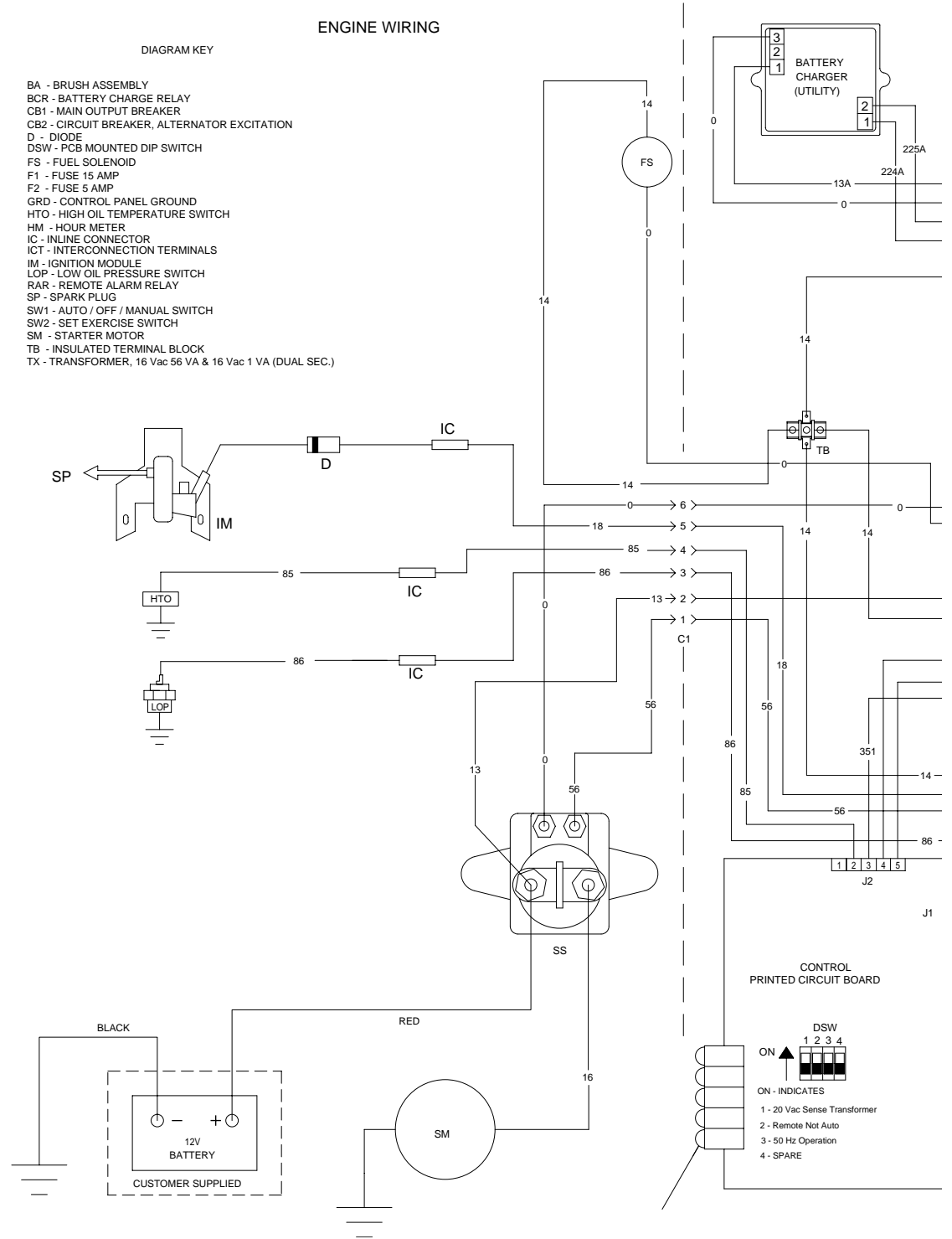


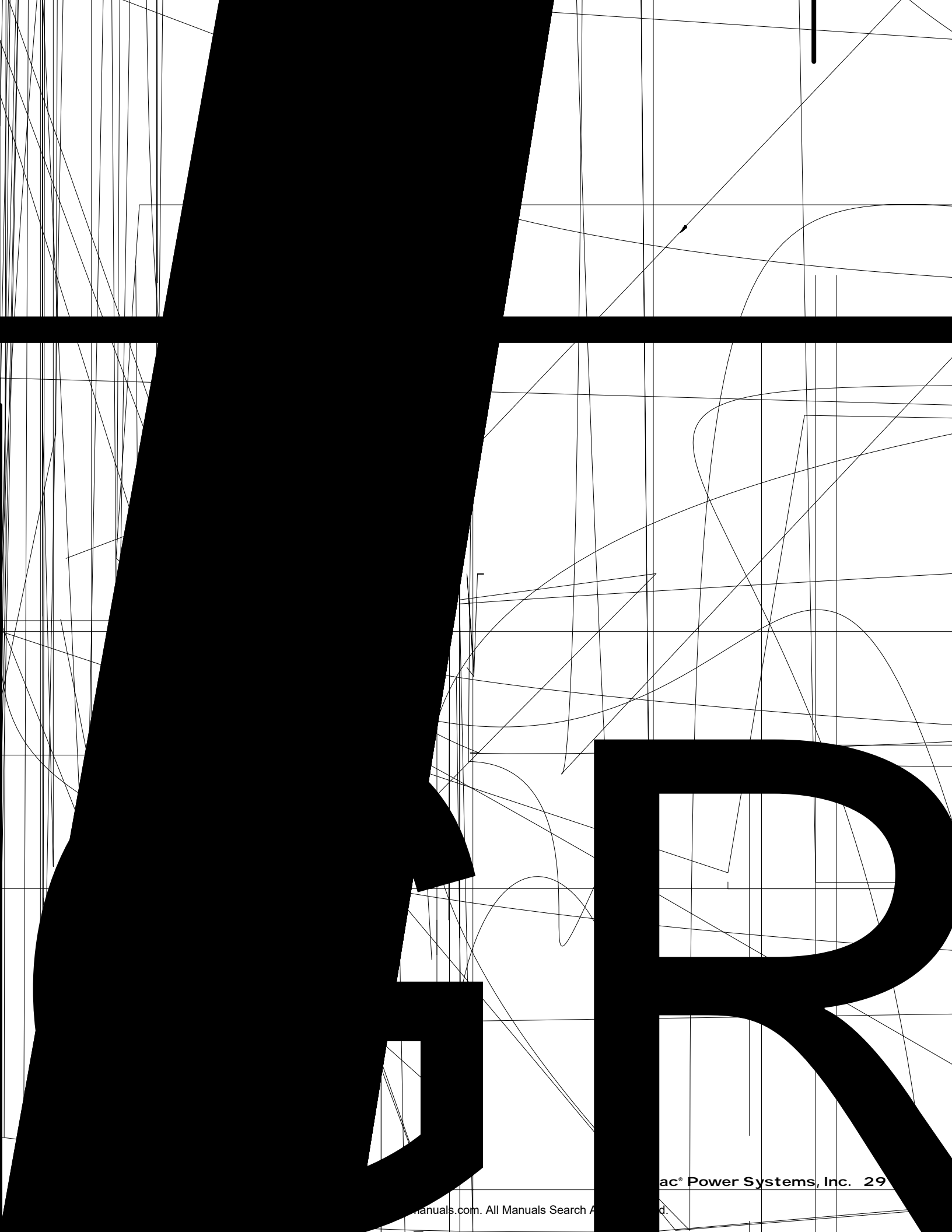


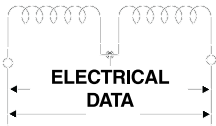


## Section 6 – Electrical Data

### Guardian Air-cooled 7 kW, 12 kW and 15 kW Generators Wiring Diagram – 7 kW – Drawing No. OD5700-B



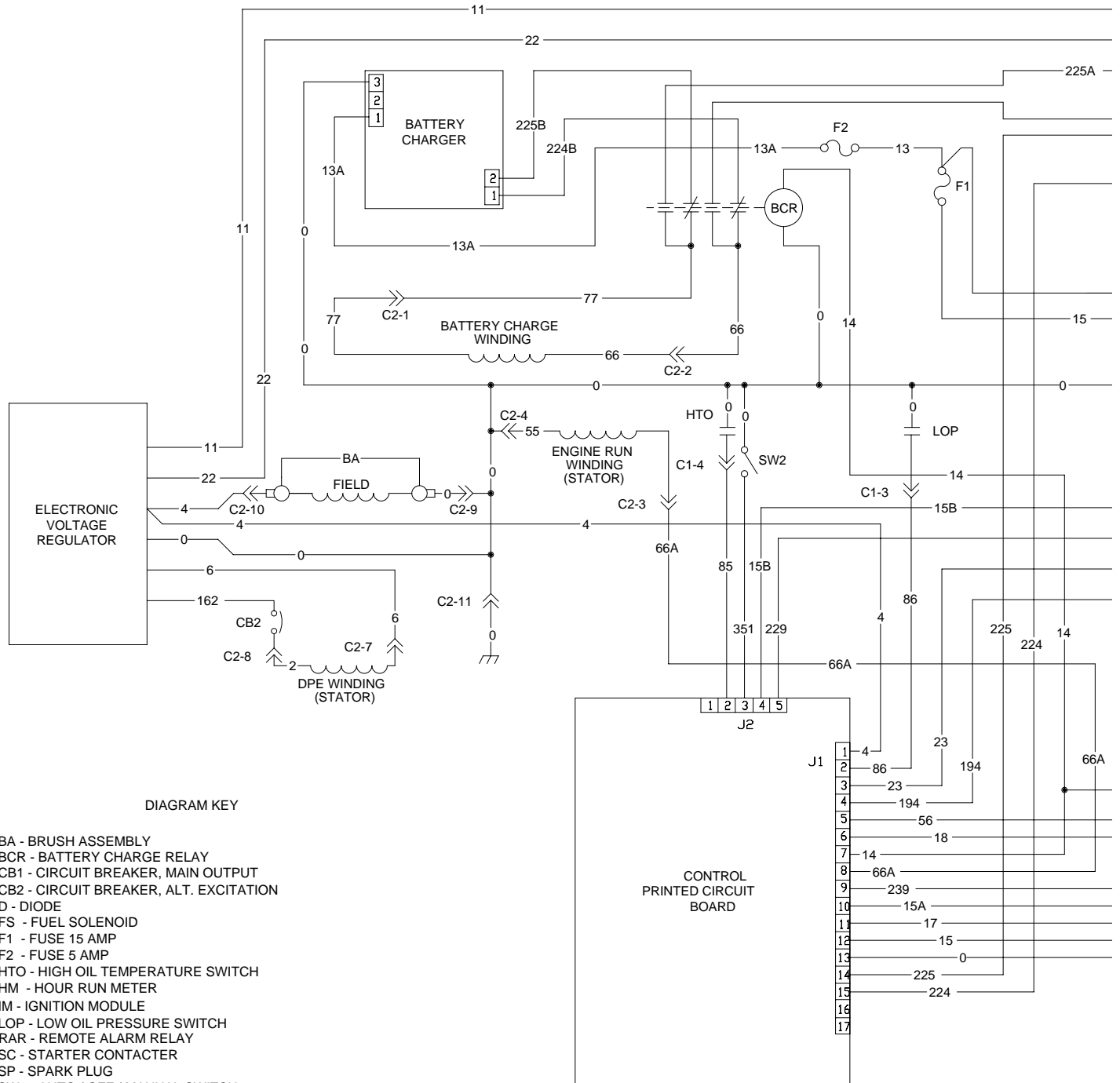




## Section 6 – Electrical Data

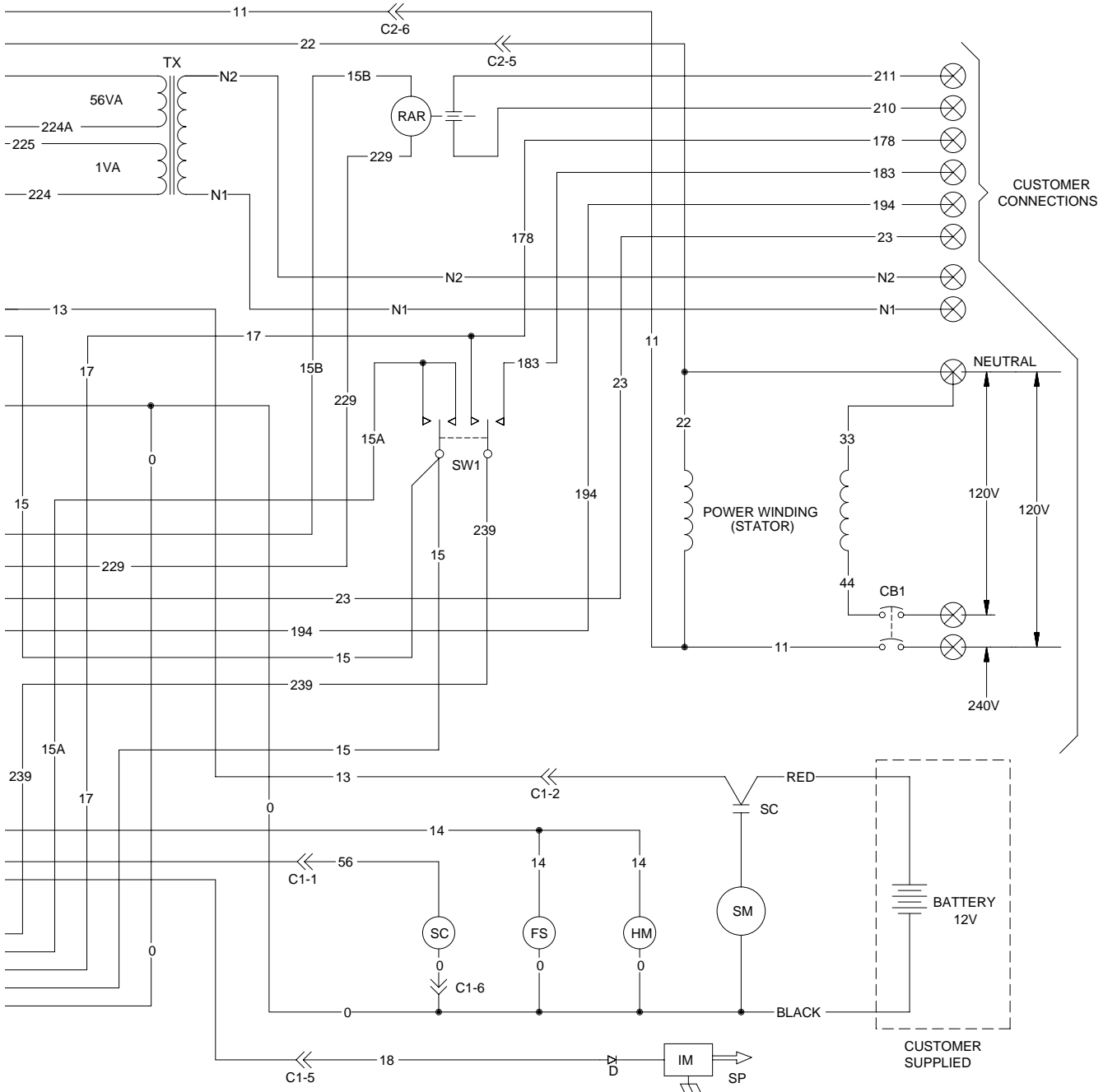
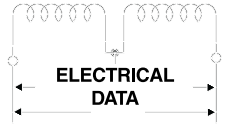
### Guardian Air-cooled 7 kW, 12 kW and 15 kW Generators

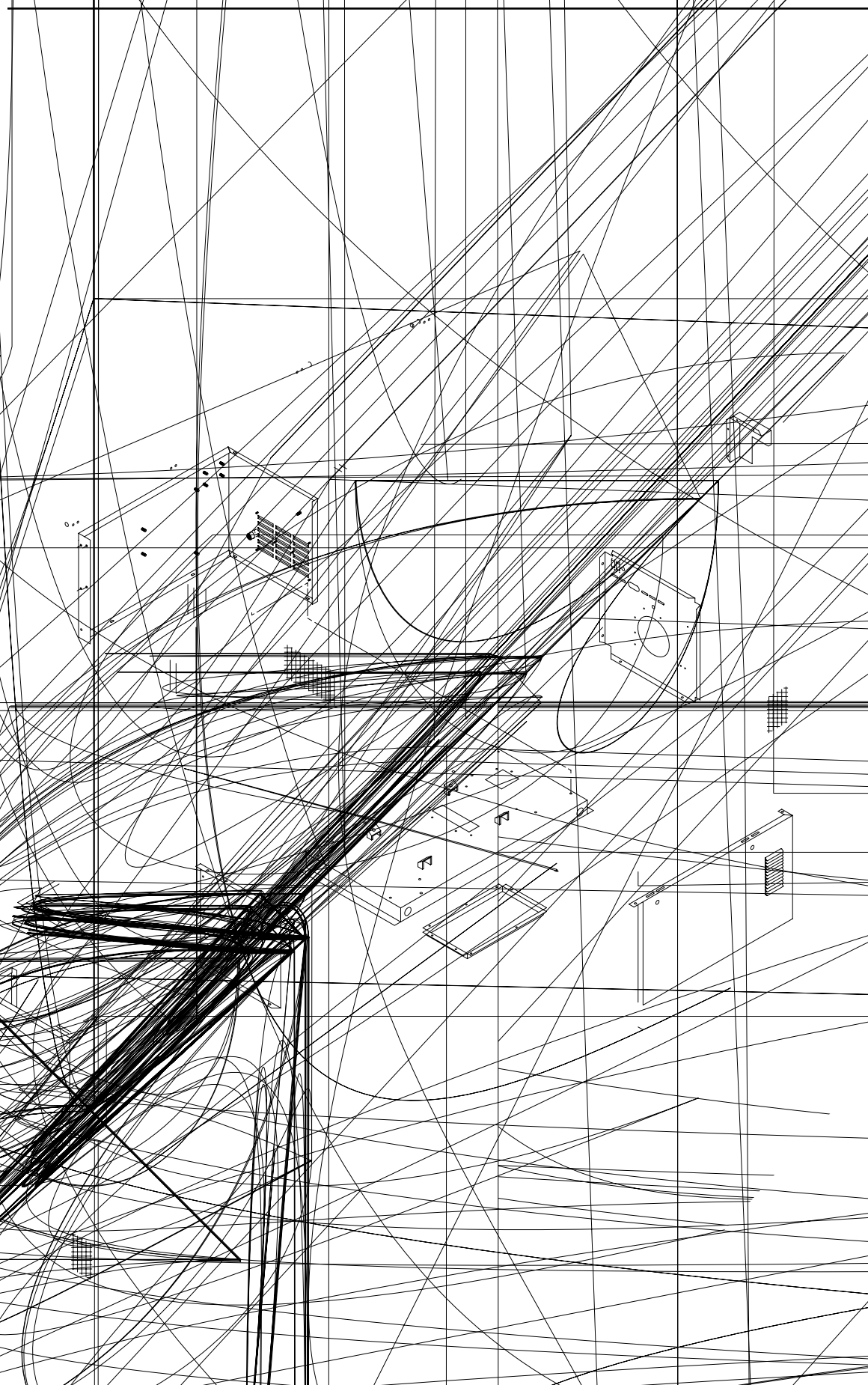
#### Electrical Schematic – 7 kW – Drawing No. OD5701-A



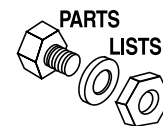
Section 6 – Electrical Data

Guardian Air-cooled 7 kW, 12 kW and 15 kW Generators  
Electrical Schematic – 7 kW – Drawing No. 0D5701-A

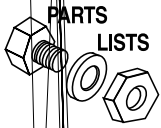




**Section 7 — Exploded Views and Parts Lists**  
**Guardian Air-cooled 7 kW, 12 kW and 15 kW Generators**  
**Enclosure – Drawing No. 0D3416-K**

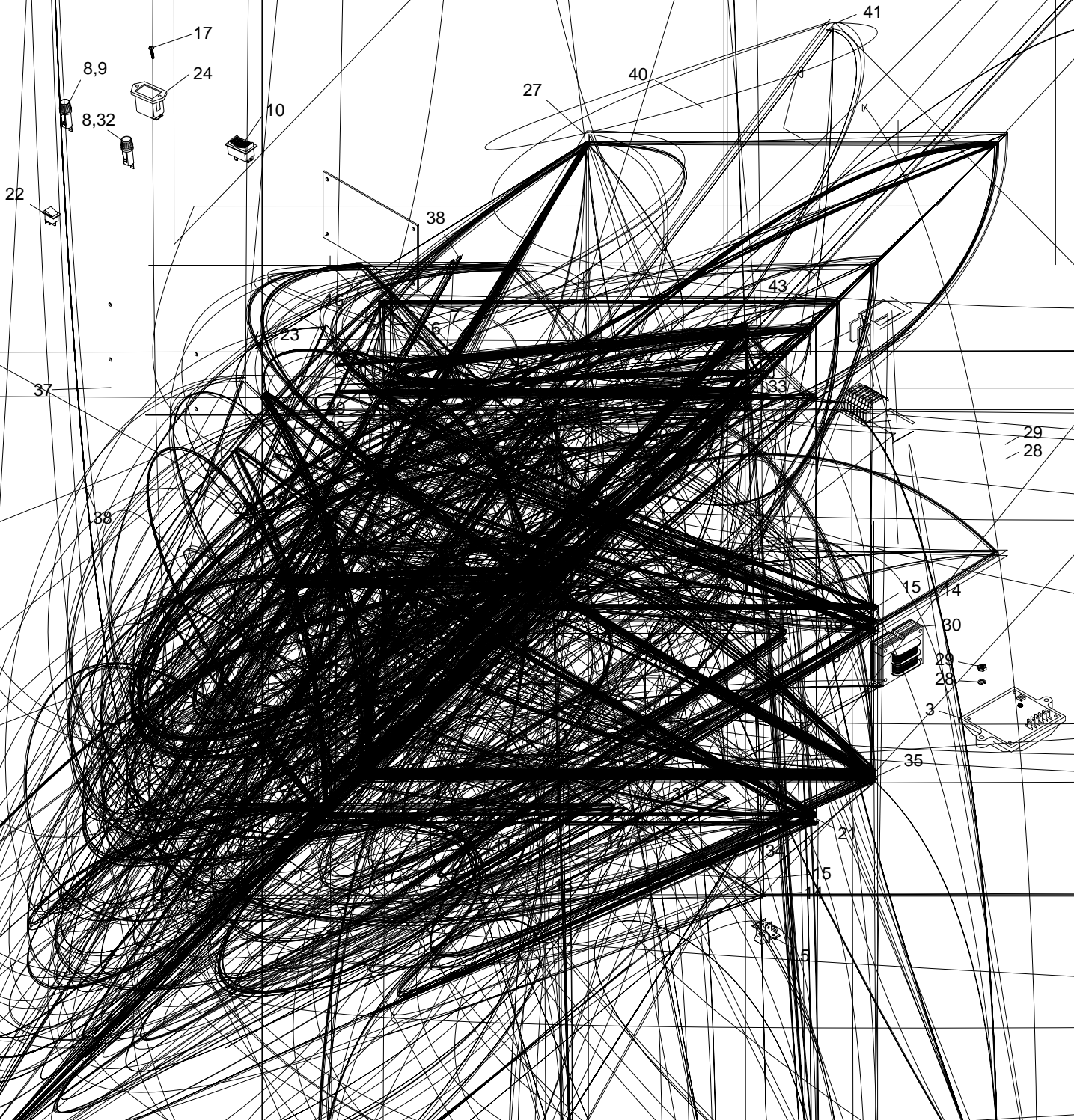


ITEM	PART NO.	QTY.	DESCRIPTION	ITEM	PART NO.	QTY.	DESCRIPTION
1	0C6140	1	ASSEMBLY, ENCLOSURE BASE (12KW / 15KW)	44	022097	9	WASHER LOCK M6-1/4"
	0D1901	1	ASSEMBLY, ENCLOSURE BASE (7KW)	45	022473	4	WASHER FLAT 1/4" ZINC
2	0C6735	2	SUPPORT, ROOF FOLDING	46	036261	14	RIVET POP .125 X .129-.133/#30
3	0C7061	1	ENCLOSURE, FRONT	47	047411	12	SCREW HHC M6-1.0 X 16 G8.8
4	0C7062	1	ENCLOSURE, EXHAUST SIDE (12KW / 15KW)	48	043116	5	SCREW HHC M6-1.0 X 12 G8.8 (12KW / 15KW)
	0C7062A	1	ENCLOSURE, EXHAUST SIDE (7KW)		043116	6	SCREW HHC M6-1.0 X 12 G8.8 (7KW)
5	0C7063	1	ENCLOSURE, SIDE & BACK (12KW / 15KW)	49	0D3700	18	NUT, LOCKING FLANGE M6-1.0
	0C7063A	1	ENCLOSURE, SIDE & BACK (7KW)	50	083512	11	SCREW TAPTITE M8-1.20 X 16 BP
	0C7063B	1	ENCLOSURE, SIDE & BACK (16KW)	51	090388	34	SCREW TAPTITE M6-1.0 X 12 BP (12KW / 15KW)
6	0C7064	1	ENCLOSURE, ROOF			22	SCREW TAPTITE M6-1.0 X 12 BP (7KW)
7	0C7065	1	PANEL, ALTERNATOR DIVIDER (12KW / 15KW)	52	092120	2	NUT LOCK TRIC M6 X 1.0 Y/ZNC
	0C7065A	1	PANEL, ALTERNATOR DIVIDER (7KW)	54	0D3167	1	GASKET, BATTERY SUPPORT BRACKET
8	0C8101A	1	PANEL, MUFFLER BOX SIDE (12KW / 15KW)	55	0A3328	1	PLUG, PLASTIC 0.593 HEYCO 1675
	0C8861	1	PANEL, MUFFLER BOX SIDE (7KW)	56	055414	1	LUG SLDLSS #2-#8X17/64 CU
9	0C8101B	1	COVER, MUFFLER BOX (12KW / 15KW)	57	092079	1	SCREW TAPTITE M6-1.0X25 BP
	0C8862	1	COVER, MUFFLER BOX (7KW)	58	0A1658	2	L/WASH SPECIAL 1/4
10	0C8283	1	GASKET, DOOR SEAL	59	0C2937	1	BRACKET, BATTERY HOLD DOWN (7KW)
11	0C8284A	1	FOAM, BACK ENCLOSURE	60	086729	1	CONTACTOR, STARTER (7KW)
12	0C8284B	1	FOAM, ROOF ENCLOSURE	61	0388040AJ0	1	CABLE, #6 RED BATTERY 38.5"
13	0C8284C	1	FOAM, FRONT ENCLOSURE	62	022127	2	NUT HEX 1/4-20 STEEL (7KW)
14	0C8285	1	BRACKET, BATTERY SUPPORT (12KW / 15KW)	63	022129	4	WASHER LOCK 5/16 (12KW / 15KW)
15	0C8899A	1	PAD, 24"X48" WITH MOUNTING HOLES		022129	5	WASHER LOCK 5/16 (7KW)
16	0D1128	1	PANEL, ENGINE DIVIDER (12KW / 15KW)	64	074908	8	SCREW TAPTITE M5-0.8 X 10 BP
	0D1128A	1	PANEL, ENGINE DIVIDER (7KW)	65	0D2346	1	HARNESS, ENGINE (12KW / 15KW)
17	0D1605	1	BAFFLE, INTAKE (12KW / 15KW)		0D2345	1	HARNESS, ENGINE (7KW)
	0D1605A	1	BAFFLE, INTAKE (7KW)	66	023484F	1	BUSHING, SNAP SB-1000-12
18	0D1606	1	HOUSING, FAN (12KW / 15KW)	67	022142	1	SCREW HHC 5/16-18 X 3/4 G5 (7KW)
	0D5264	1	BAFFLE, EXHAUST (7KW)	68	0A7836	2	RIVET, 1/8" X 0.126" - 0.375" LSH POP
19	0D1839	2	BRACKET, TOP SUPPORT	69	0A8475	2	L/WASH SPECIAL #10
20	0D1840	2	BRACKET, BOTTOM SUPPORT	70	0912970069	1	ASSEMBLY, ROOF/DOOR GROUND WIRE
21	0D2425	1	DUCT, BASE AIR (12KW / 15KW)	71	0912970070	2	ASSEMBLY, ROOF/DOOR GROUND WIRE
22	0D2588	1	GASKET, FRONT DIVIDER	72	055450	2	PLUG PLASTIC 1.375 (12KW / 15KW)
23	0D2676	1	COVER, FRONT EXHAUST ENCLOSURE	73	0D2023	10.5	GASKET, CLIP-ON SELF GRIPPING
24	0D2677	1	COVER, BACK EXHAUST ENCLOSURE	74	0D3701	1	PLATE, "HOT"
25	0D2979B	2	CLOTH, HARDWARE 266.7mm x 146mm (12KW / 15KW)	75	0D3472	1	GROMMET 2.75 X 1/16
	0D2979B	3	CLOTH, HARDWARE 266.7mm x 146mm (7KW)	76	0C8742	1	EXTERNAL CONNECTION BOX
	0D2979C	1	CLOTH, HARDWARE 543mm x 146mm	77	0C8911	1	POWER BLOCK
26	0D2979D	1	CLOTH, HARDWARE 266.7mm x 387.4mm	78	0D3338	1	HARNESS GENERATOR TO EXTERNAL CONNECTION BOX (12KW / 15KW)
	0D2979E	1	CLOTH, HARDWARE (7KW)		0D3419	1	HARNESS GENERATOR TO EXTERNAL CONNECTION BOX (7KW)
28	0D3057A	1	FOAM, FRONT INTAKE BAFFLE (12KW / 15KW)		0D3928	1	HARNESS GENERATOR TO EXTERNAL CONNECTION BOX (16KW)
	0D3058A	1	FOAM, FRONT INTAKE BAFFLE (7KW)	79	036937	2	SCREW PPHM #10-32 X 1
29	0D3057B	1	FOAM, TOP INTAKE BAFFLE (12KW / 15KW)	80	022152	5	WASHER LOCK #10
	0D3057C	1	FOAM, BACK INTAKE BAFFLE (12KW / 15KW)	81	023897	2	WASHER FLAT #10 ZINC
	0D3058C	1	FOAM, BACK INTAKE BAFFLE (7KW)	82	022158	5	NUT HEX #10-32 STEEL
31	0D3057D	1	FOAM, BACK ENCL. STRIP (12KW / 15KW)	83	0D3031	1	FUEL LINE, 3/4"OUTDOOR (NOT SHOWN)
32	0D3059A	1	FOAM, EXHAUST SIDE ENCLOSURE END	84	026850	1	WASHER SHAKPROOF EXT 1/4 STEEL
33	0D3059B	1	FOAM, EXHAUST SIDE ENCLOSURE FRONT	85	049813	1	NUT HEX M6-1.0 G8 YELLOW CHROME
34	0D3059C	1	FOAM, EXHAUST FAN HOUSING (12KW / 15KW)	86	0D2537A	1	HINGE, LIFT OFF, TYPE A KNUCKLE
35	0D7176	24	WASHER, SELF LOCKING (12KW / 15KW)	87	0D2538A	1	HINGE, LIFT OFF, TYPE B KNUCKLE
		22	WASHER, SELF LOCKING (7KW)	88	047411	2	SCREW HHC M6-1.0 X 16 G8.8
36	0D3059D	1	FOAM, FRONT EXHAUST ENCLOSURE COVER	89	0A2311	1	SCREW SWAGE 1/4-20 X 1
37	0D3059E	1	FOAM, BACK EXHAUST ENCLOSURE COVER	90	043107	4	SCREW HHC M8-1.25 X 25
38	0C7781	2	DOOR, PAWL	91	022145	8	WASHER FLAT 5/16
39	0D3037	1	LATCH, QUARTER TURN LOCKING	92	045771	4	NUT HEX M8-1.25
40	0D2537	1	HINGE, LIFT OFF, TYPE A PIN	93	0C3906	2	SELF-ALIGN SCREW M6 HH
41	0D2538	1	HINGE, LIFT OFF, TYPE B PIN				
42	0D3037A	1	LATCH, QUARTER TURN NON-LOCKING				
43	0A2115	4	WASHER NYLON .250"				



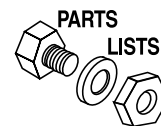
### Section 7 – Exploded Views and Parts Lists

Guardian Air-cooled 7 kW, 12 kW and 15 kW Generators  
Control Panel – Drawing No. 0D3418-D



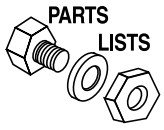
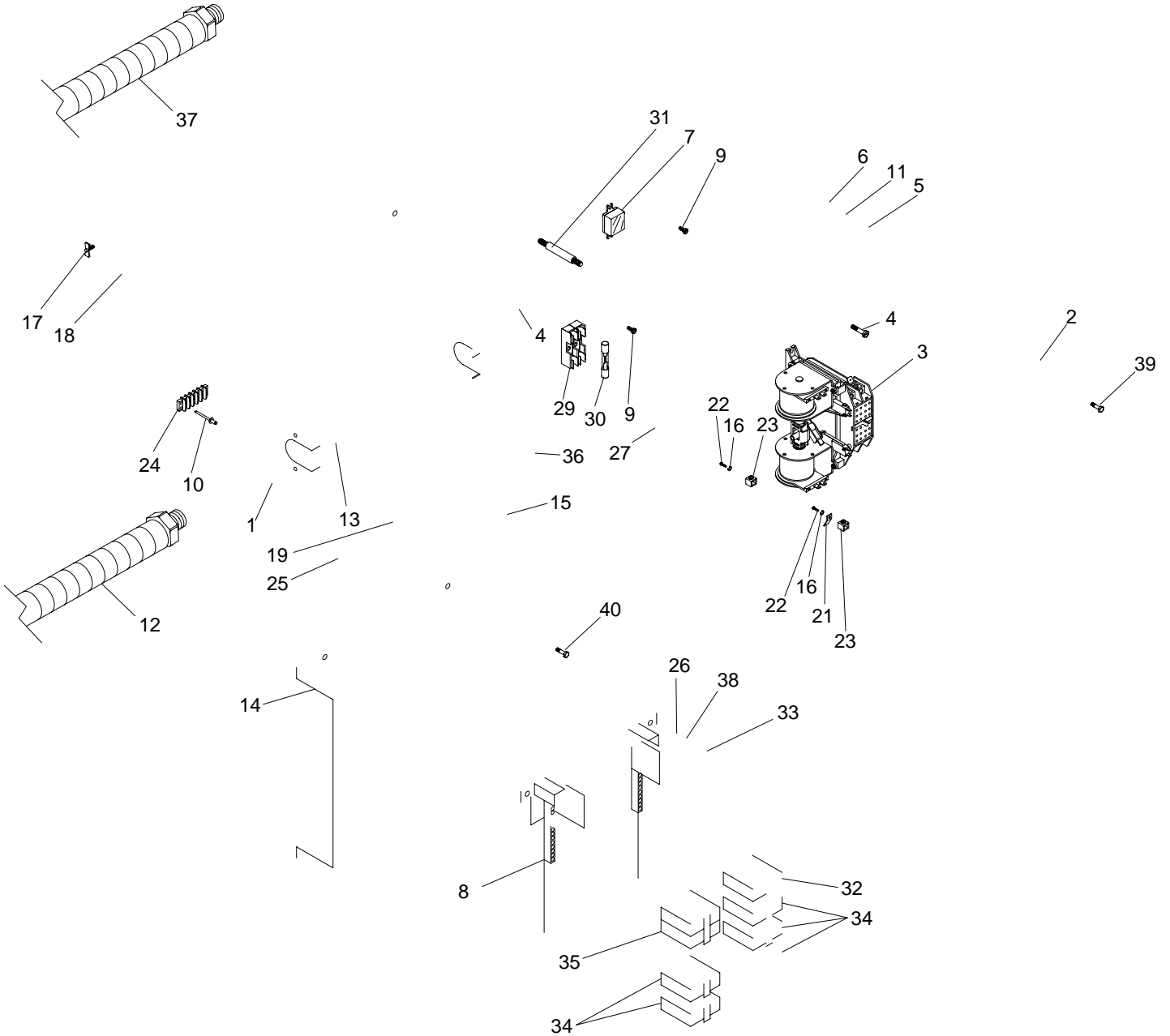


**Section 7 — Exploded Views and Parts Lists**  
**Guardian Air-cooled 7 kW, 12 kW and 15 kW Generators**  
**Control Panel – Drawing No. 0D3418-D**

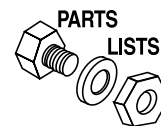


ITEM	PART NO.	QTY.	DESCRIPTION	ITEM	PART NO.	QTY.	DESCRIPTION
1	0A9947E	1	CIRCUIT BREAKER 30 X 2 240V SQD QOU230 (7KW)	21	075235	4	SCREW HHC M5-0.8 X 30 G8.8
	0A9947F	1	CIRCUIT BREAKER 50 X 2 240V SQD QOU245 (12KW)	22	0D5240	1	SWITCH, SPDT (ON)-ON N/D
	0A9947C	1	CIRCUIT BREAKER 60 X 2 240V SQD QOU260 (13KW)	23	051714	8	NUT HEX M3-0.5 G8 YELLOW CHROME
2	0A18010SRV	1	ASSEMBLY, BATTERY CHARGER ENGINE	24	0C1457	1	HOURMETER
3	0830490SRV	1	ASSEMBLY, POTTED REGULATOR W/FIN	25	036261	2	RIVET POP .125 X .129-.133/#30
4	0C2174	2	RELAY, 12V 25A SPST (12KW / 15KW)	26	0C7756	1	HARNESS, CONTROL PANEL WIRE (NOT SHOWN) (12KW / 15KW)
	0C2174	1	RELAY, 12V 25A SPST (7KW)		0D5831	1	HARNESS, CONTROL PANEL WIRE (NOT SHOWN) (7KW)
5	075210A	1	TERMINAL BLOCK	27	074908	4	SCREW TAPTITE, M5-0.8 X 10 BP (12KW / 15KW)
6	0D3062	4	HEX. STAND-OFF #6-32 X 3/8"	28	049226	6	WASHER LOCK M5
7	0C62110SRV	1	ASSEMBLY, HOME STANDBY CONTROLLER (12KW / 15KW)	29	051716	6	NUT HEX M5-0.8 G8 YELLOW CHROME
	0C6211ASRV	1	ASSEMBLY, HOME STANDBY CONTROLLER (7KW)	30	0C3910	1	TRANSFORMER 240/16V 1VA&56VA
8	032300	2	HOLDER, FUSE	31	031879	6	WASHER FLAT #4 ZINC (12KW / 15KW)
9	022676	1	FUSE, 15 AMP X AGC15		031879	4	WASHER FLAT #4 ZINC (7KW)
10	033873	1	SWITCH, ROCKER	32	099727	1	FUSE 5A X AGC5
11	0A2769	1	LUG, GROUND 8-TABS	33	0C3701	1	DIN RAIL ASSEMBLY
12	023484E	1	SNAP BUSHING	34	063617	1	RELAY PANEL 12VDC DPDT 10A@240VA
13	075476	2	SCREW PPHM M4-0.7 X 16	35	075475	4	SCREW PPHM M4-0.7 X 10
14	022264	6	WASHER LOCK M4	36	022985	2	WASHER FLAT #6 ZINC
15	051715	6	NUT HEX M4-0.7 G8 YELLOW CHROME	37	0C6002C	1	COVER, CONTROL PANEL COMPONENT (12KW / 15KW)
16	043182	8	WASHER LOCK M3 (12KW / 15KW)		0D2988	1	COVER, CONTROL PANEL COMPONENT (7KW)
	043182	6	WASHER LOCK M3 (7KW)	38	092036	8	SCREW PPHMS/LW 6-32 X 1/4L
17	043181	8	SCREW PHM M3-0.5 X 10 (12KW / 15KW)	39	045770	2	SCREW HHC M5-0.8 X 10 G8.8
	043181	6	SCREW PHM M3-0.5 X 10 (7KW)	40	0C7171	1	COVER, CONTROL PANEL (12KW / 15KW)
18	0D7618	1	DECAL, CONTROL PANEL (NOT SHOWN)		0D2989	1	COVER, CONTROL PANEL (7KW)
19	054502	1	CIRCUIT BREAKER 3 X 1 ETA 46-500-P (12KW / 15KW)	41	0D3700	10	NUT FLANGE M6-1.0 NYLOK
	053623	1	CIRCUIT BREAKER 2.5 X 1 ETA 46-500-P (7KW)	42	0912970069	1	ASSEMBLY, ROOF/DOOR GROUND WIRE
20	0C6002A	1	CONTROL, PANEL BOTTOM (12KW / 15KW)	43	0A2311	1	SCREW SWAGE 1/4-20 X 1 Z/YC
	0D2985	1	CONTROL, PANEL BOTTOM (7KW)	44	0A1658	1	L/WASH SPECIAL 1/4"
				45	022473	1	WASHER FLAT 1/4 ZINC

**PARTS  
LISTS**

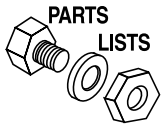
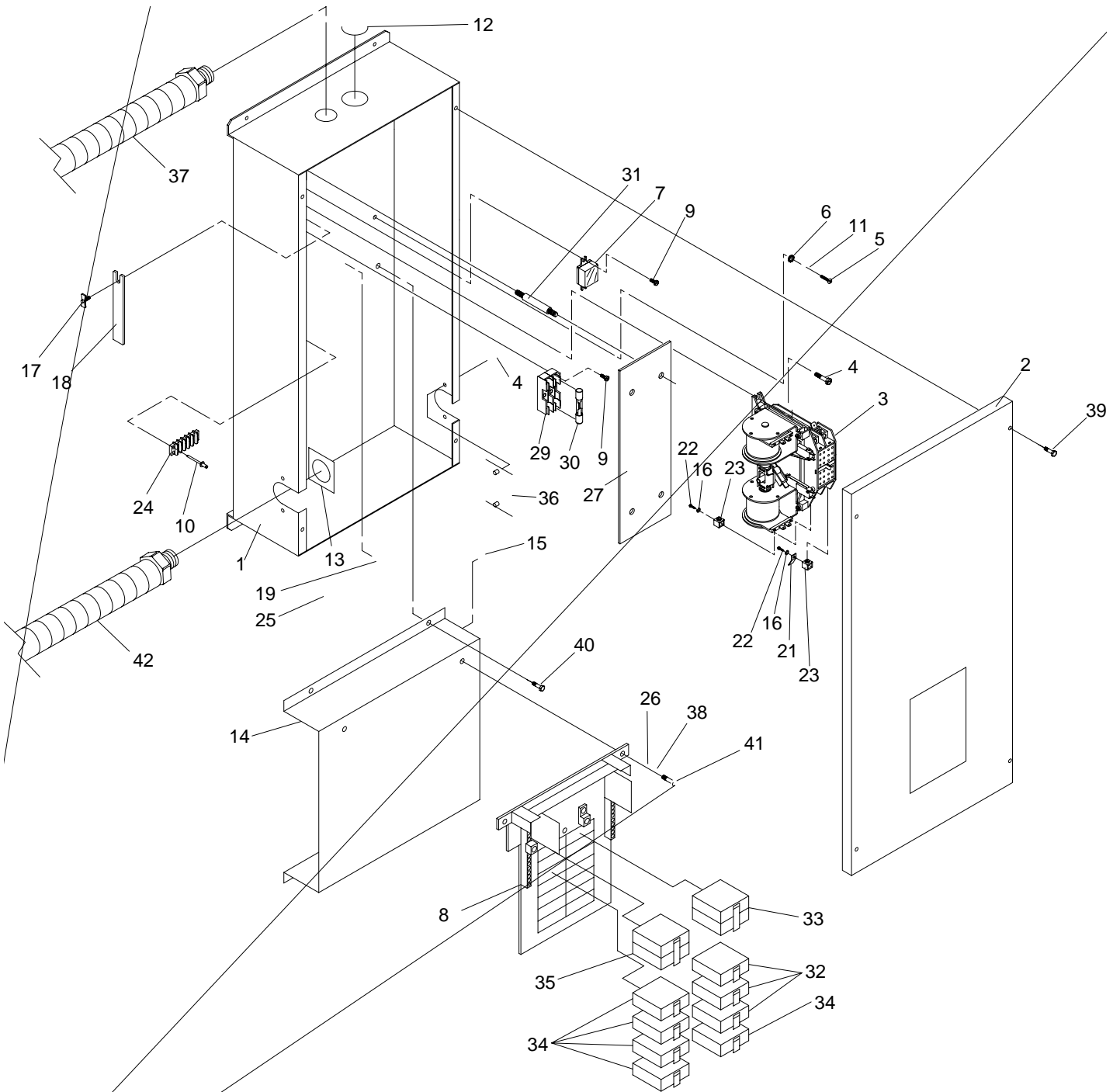



**Section 7 — Exploded Views and Parts Lists**  
**Guardian Air-cooled 7 kW, 12 kW and 15 kW Generators**  
**7 kW GTS Load Center Assembly – Drawing No. 0D3997-C**

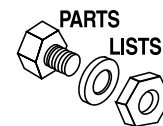


ITEM	PART NO.	QTY.	DESCRIPTION
1	0D4801	1	BOX GTS LOAD CENTER
2	0D4800	1	COVER, 8 POSITION GTS LOAD CENTER
3	0C2237	1	TRANSFER SWITCH HOME STANDBY 100A2P250V
4	074908	6	SCREW TAPTITE M5-0.8 X 10 BP
5	024912	1	SCREW TAPTITE 1/4-20 X 5/8 BP
6	0A1658	1	LOCK WASHER, SPECIAL-1/4"
7	063617	1	RELAY PANEL 12VDC DPDT 10A@240VA
8	0D3030A	1	BASE, MOUNTING 8 CIRCUIT 125A/240V
9	0A1495	4	SCREW TAPTITE M4-0.7X10 BP
10	0A1661	2	RIVET POP .156 X .160-.164#20
11	022473	1	WASHER FLAT 1/4 ZINC
12	0D3094	1	HARNESS,GTS TO MAIN PANEL
13	0D4684A	1	HARNESS ADAPTER PLATE
14	0D3319	1	PANEL-SUB BREAKER BASE
15	056326	1 FT	TRIM VINYL BLACK 1/8GP
16	022152	6	WASHER LOCK #10
17	087680	1	NUT WING M6-1.0
18	077441	1	HANDLE, TRANSFER SWITCH HOME STANDBY
19	063378	4	HOLDER CABLE TIE
21	074138	2	LUG DIS QK NI-S 10X45 DEG BR/T
22	036932	6	SCREW PPHM #10-32 X 1/4
23	077033	6	LUG SLDLSS 1/0-#14X9/16 AL/CU
24	048850	1	BLOCK TERMINAL 20A 5 X 6 X 1100V
25	028739	4	TIE WRAP 3.9" X .10" NAT'L UL
26	038150	2	WASHER FLAT #8 ZINC
27	0D3191	1	COVER, RELAY & TERM BLOCK
28	0D3088	1	WIRE HARNESS,GTS LOAD CENTER (NOT SHOWN FOR CLARITY)
29	073591	2	FUSE HOLDER
30	073590A	2	ASSEMBLY FUSE 5A X BUSS HLDR73591
31	040213B	4	PCB SUPPORT SNAP-IN 1-3/8"
32	0C8037	1	CIRCT BRK 20 X 1 HOM120
33	075475	2	SCREW PPHM M4-0.7 X 10
34	0C8036	5	CIRCT BRK 15 X 1 HOM115
35	0C8035	1	CIRCT BRK 30 X 2 HOM230
36	0D3320	1	COVER - HARNESS ENTRY
37	0D4802	1	HARNESS, GTS TO EXT CONN BOX
38	022264	2	WASHER LOCK M4
39	0A7215	4	SCREW SW 1/4-20X5/8 N WA JS500
40	0A2110	4	SCREW SWAGE 1/4-20 X 1/2 ZINC

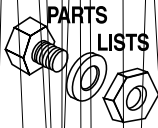
**PARTS  
LISTS**

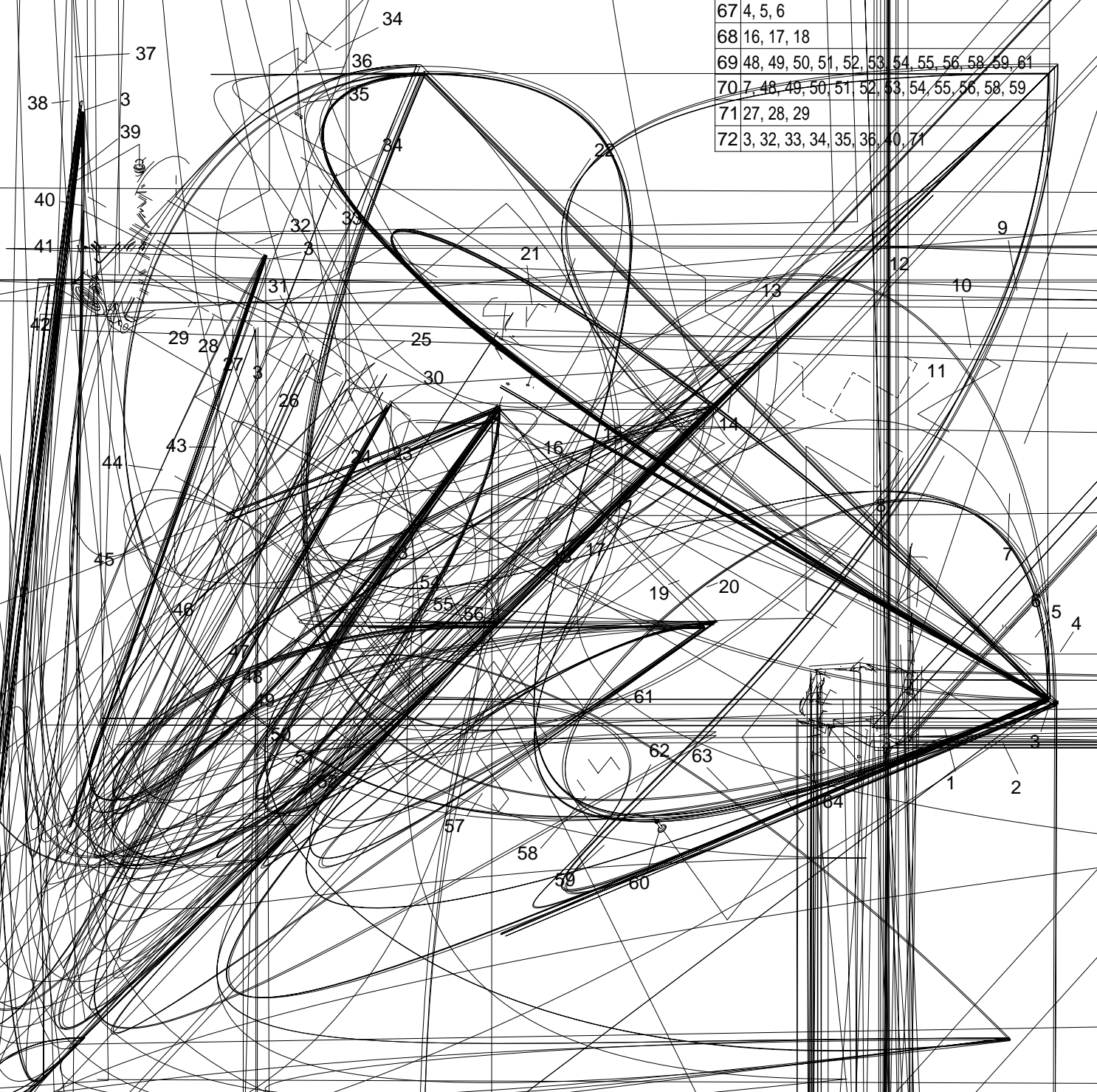
**Section 7 — Exploded Views and Parts Lists**  
**Guardian Air-cooled 7 kW, 12 kW and 15 kW Generators**  
**12 kW and 15 kW GTS Load Center Assembly – Drawing No. 0D3996-B**



ITEM	PART NO.	QTY.	DESCRIPTION
1	0D3086	1	BOX GTS LOAD CENTER
2	0D3092	1	COVER, 12 POSITION GTS LOAD CENTER
3	0C2237	1	TRANSFER SWITCH HOME STANDBY 100A2P250V
4	074908	6	SCREW TAPTITE M5-0.8 X 10 BP
5	024912	1	SCREW TAPTITE 1/4-20 X 5/8 BP
6	0A1658	1	LOCK WASHER, SPECIAL-1/4"
7	063617	1	RELAY PANEL 12VDC DPDT 10A@240VA
8	0D3030	1	BASE, MOUNTING 12 CIRCUIT 125A/240V
9	0A1495	4	SCREW TAPTITE M4-0.7X10 BP
10	0A1661	2	RIVET POP .156 X .160-.164/#20
11	022473	1	WASHER FLAT 1/4 ZINC
12	055450	1	PLUG PLASTIC 1.375 (10KW / 12KW / 13KW)
	025034	1	PLUG STEEL 1.0625 STMP SN 3811 (14KW / 15KW / 16KW)
13	0D4684	1	HARNESS ADAPTER PLATE
14	0D3319	1	PANEL-SUB BREAKER BASE
15	056326	1 FT	TRIM VINYL BLACK 1/8GP
16	022152	6	WASHER LOCK #10
17	087680	1	NUT WING M6-1.0
18	077441	1	HANDLE, TRANSFER SWITCH HOME STANDBY
19	063378	4	HOLDER CABLE TIE
21	074138	2	LUG DIS QK NI-S 10X45 DEG BR/T
22	036932	6	SCREW PPHM #10-32 X 1/4
23	077033	6	LUG SLDLSS 1/0-#14X9/16 AL/CU
24	048850	1	BLOCK TERMINAL 20A 5 X 6 X 1100V
25	028739	4	TIE WRAP 3.9" X .10" NAT'L UL
26	038150	2	WASHER FLAT #8 ZINC
27	0D3191	1	COVER, RELAY & TERM BLOCK
28	0D3088	1	WIRE HARNESS,GTS LOAD CENTER (NOT SHOWN FOR CLARITY)
29	073591	2	FUSE HOLDER
30	073590A	2	ASSEMBLY FUSE 5A X BUSS HLDR73591
31	040213B	4	PCB SUPPORT SNAP-IN 1-3/8"
32	0C8037	3	CIRCT BRK 20 X 1 HOM120
33	0D3190	1	CIRCT BRK 20 X 2 HOM220
34	0C8036	5	CIRCT BRK 15 X 1 HOM115
35	0C8035	1	CIRCT BRK 30 X 2 HOM230
36	0D3320	1	COVER - HARNESS ENTRY
37	0D3093	1	HARNESS, GTS TO EXT CONN BOX (10KW / 12KW / 13KW)
	0D3926	1	HARNESS, GTS LD CTR TO EXT CONN BOX (14KW / 15KW / 16KW)
38	022264	2	WASHER LOCK M4
39	0A7215	4	SCREW SW 1/4-20X5/8 N WA JS500
40	0A2110	4	SCREW SWAGE 1/4-20 X 1/2 ZINC
41	075475	2	SCREW PPHM M4-0.7 X 10
42	0D3094	1	HARNESS,GTS TO MAIN PANEL

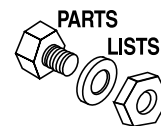


65	2, 5, 19, 20, 39, 40, 47, 63, 92, 141
66	8, 11, 12, 13
67	4, 5, 6
68	16, 17, 18
69	48, 49, 50, 51, 52, 53, 54, 55, 56, 58, 59, 61
70	7, 48, 49, 50, 51, 52, 53, 54, 55, 56, 58, 59
71	27, 28, 29
72	3, 32, 33, 34, 35, 36, 40, 71



## Section 7 — Exploded Views and Parts Lists

**Guardian Air-cooled 7 kW, 12 kW and 15 kW Generators  
GT-990/760 Engine – Drawing No. 0D3415-A Part 1**



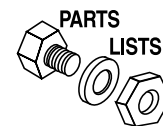
ITEM	PART NO.	QTY.	DESCRIPTION	ITEM	PART NO.	QTY.	DESCRIPTION
1	0C5729	1	ASSEMBLY, CRANKCASE HOUSING WITH SLEEVE	36	0C2992	1	BUSHING, GOVERNOR LOWER
2	0C3008	1	SEAL, 38 I.D. CRANKSHAFT	37	0C3971C	1	ASSEMBLY, DIPSTICK WITH HANDLE
3	090388	8	SCREW, TAPTITE M6-1.0 X 12 BP	38	0C5305	1	TUBE, DIPSTICK
4	0C5372	1	ASSEMBLY, BREATHER	39	0C3027	1	O-RING, OIL CLR
5	0C3005	1	GASKET, BREATHER COVER	40	0C3007	1	SEAL, 42 I.D. CRANKSHAFT
6	0C3003	3	SEPARATOR, OIL BREATHER	41	0C5731	1	ASSEMBLY, HOUSING COVER WITH SLEEVE
7	0C2231	1	ASSEMBLY, HEAD #1 G&S	42	0C3006	9	SCREW, HHFC M10-1.5 X 55
8	071983	4	RETAINER, PISTON PIN 20	43	0C8566	8	SCREW HHFC M6-1.0 X 20
9	0C2981	1	ROCKER, COVER NO OIL FILL	44	093064	1	ASSEMBLY, OIL FILL CAP
10	045761A	4	STUD M8-1.25/10MM X 30 G5 ZINC	45	0C8808	2	HOOK, LIFTING
11	0C5848	2	PISTON, HC	46	0C2982	1	ROCKER, COVER WITH OIL FILL
12	021533	2	SET, PISTON RING 90MM	47	0C2979	2	GASKET, VALVE COVER
13	071980	2	PIN PISTON D20	48	086515	8	KEEPER, VALVE SPRING
14	0D4041	1	ASSEMBLY, CAMSHAFT & GEAR	49	0D2274	4	RETAINER, VALVE SPRING
15	0C2983	1	SHAFT, GOVERNOR	50	0D3867	4	SPRING, VALVE
16	0C2985	1	ROLLER BEARING, GOVERNOR	51	078672	2	SEAL, VALVE STEM D7
17	0D4042	1	ASSEMBLY, GOVERNOR GEAR	52	0C5371	4	WASHER, VALVE SPRING
18	0A7811	1	SPOOL, GOVERNOR MACHINED	53	072694	4	STUD, D20 PIVOT BALL
19	0C2977	1	GASKET, CRANK CASE	54	083907	4	ARM, SOLID ROCKER
20	0C5943	1	SEAL, OIL PASSAGE	55	0D3998	4	NUT, HEX M8-1.0 G8 YELLOW CHROM
21	0D4040E	1	ASSEMBLY, CRANKSHAFT HORIZONTAL DIRECT DRIVE (GT-990)	56	0C2235	2	PLATE, PUSH ROD GUIDE
21	0D4122E	1	ASSEMBLY, CRANKSHAFT AND GEAR HORIZONTAL DIRECT DRIVE (GT-760)	57	0C2976	12	SCREW HHFC M8-1.25 X 65
22	0C2969	2	ASSEMBLY, CONNECTING ROD (GT-990)	58	086516	2	VALVE, EXHAUST
22	0D3105	1	ASSEMBLY, CONNECTING ROD (GT-760)	59	0C2229	2	VALVE, INTAKE
23	0D2157	2	SCREW SHC M6-1.0 X 50 G8.8	60	083897	4	TAPPET, SOLID
24	0C5313	1	SCREEN, OIL PICKUP	61	0C2231A	1	ASSEMBLY, HEAD #2 G&S
25	0D4123	1	ASSEMBLY, OIL PUMP	62	088396C	4	PUSHROD, 139.6 VERTICAL
26	078699E	2	SLEEVE, SEAMED DOWEL 10 DIA.	63	0C2978	2	GASKET, HEAD
27	0C3011	2	COVER, OIL RELIEF	64	043790A	1	BARBED ELBOW 90 3/8NPT X 3/8 LOCKTITE
28	0C3009	2	SPRING, OIL RELIEF	65	0D4010	1	KIT GASKET
29	0C3010	2	BALL, 1/2D OIL RELIEF	66	0D4011	1	KIT-PISTON RINGS
30	093873	2	WASHER, LOCK RIB M6	67	0D4012	1	KIT BREATHER ASSEMBLY
31	0C5315	1	GEROTOR, OUTER	68	0D4013	1	KIT GOVERNOR ASSEMBLY
32	0C5998	1	CLAMP, OIL TUBE	69	0D4014	1	KIT HEAD ASSEMBLY CYLINDER 1
33	0D1667	1	ARM, GOVERNOR	70	0D4014A	1	KIT HEAD ASSEMBLY CYLINDER 2
34	0C2991	2	E-RING, GOVERNOR ARM	71	0D4015	1	KIT OIL RELIEF
35	0C2988	1	THRUST WASHER, GOVERNOR	72	0D4016	1	KIT GEAR COVER



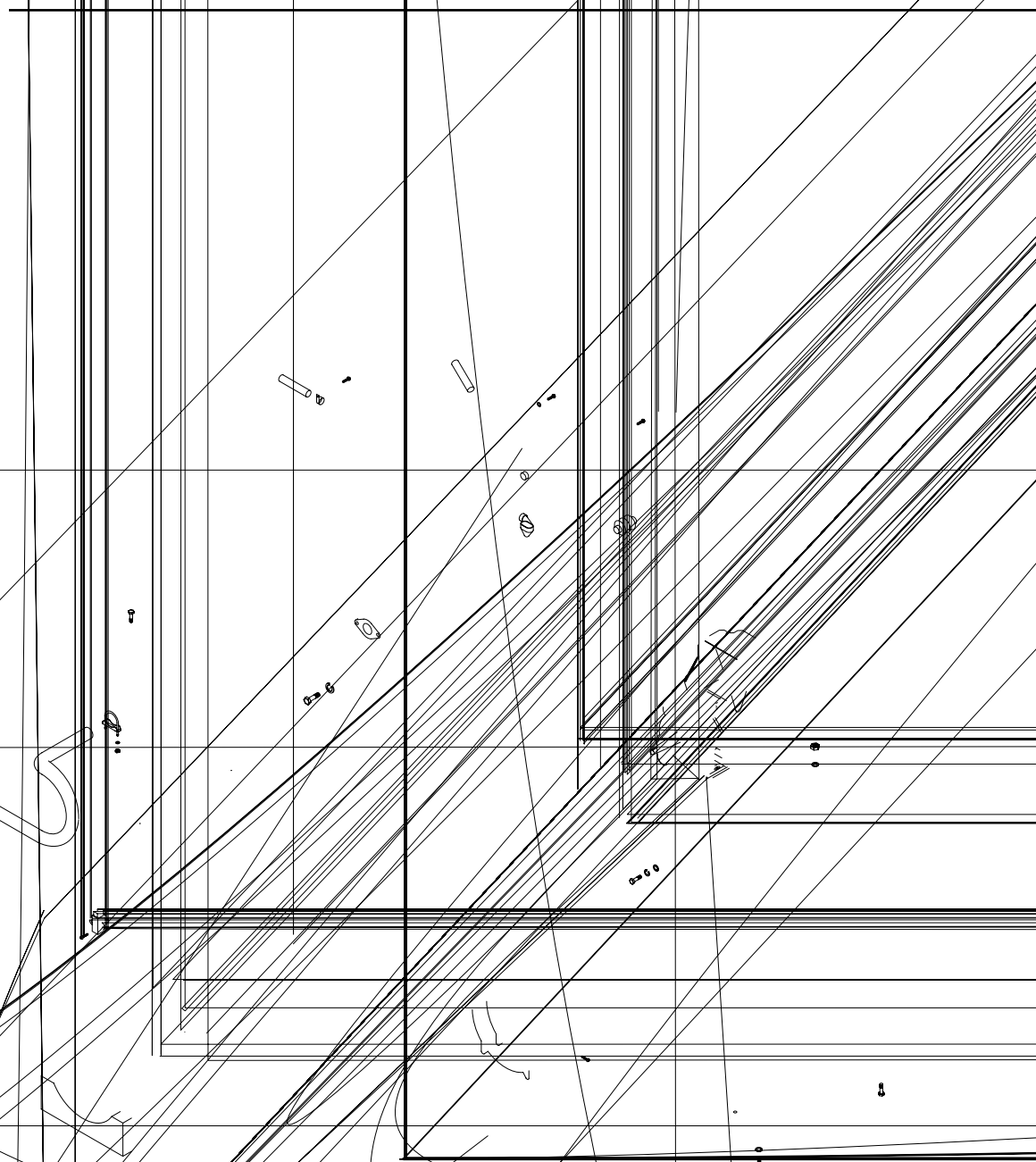
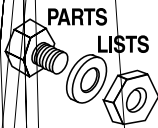
⌀



**Section 7 — Exploded Views and Parts Lists**  
**Guardian Air-cooled 7 kW, 12 kW and 15 kW Generators**  
**GT-990/760 Engine – Drawing No. 0D3415-A Part 2**



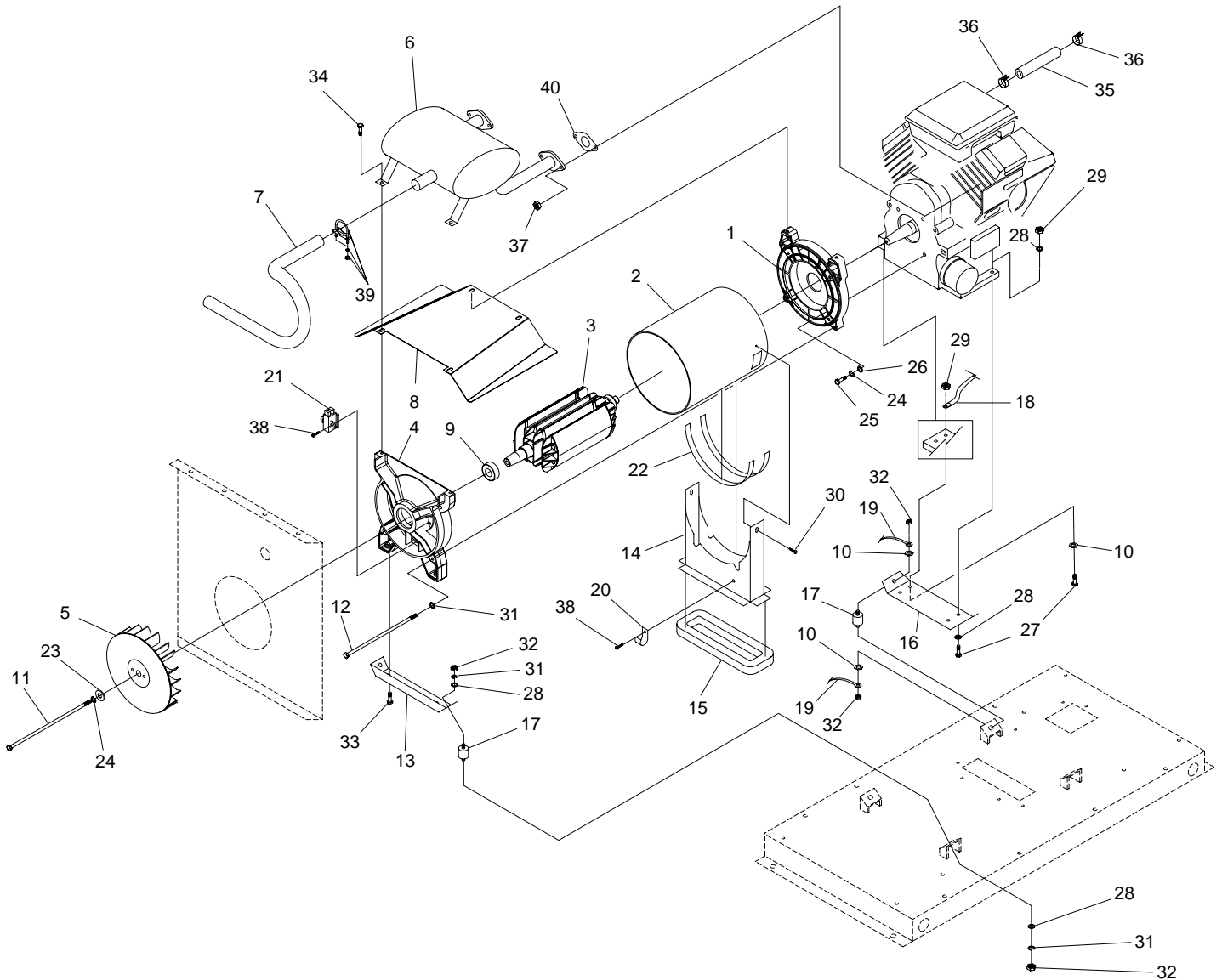
ITEM	PART NO.	QTY.	DESCRIPTION	ITEM	PART NO.	QTY.	DESCRIPTION
73	0C5136A	2	KNOB, AIR CLEANER	108	0C3034	1	NUT,HEX M24
74	0C3024	1	COVER, AIRBOX NG/LP	109	0C8549	1	SNORKEL, AIR INTAKE
75	0C3040	1	PRE-CLEANER,	110	0C3022A	1	HOUSING, BLOWER NG COOLER
76	0C8127	1	ELEMENT, AIR CLEANER	111	0D1131	1	GUARD, FAN
77	0C7720	1	MIXER / AIRBOX, ASSEMBLY	112	045756	4	SCREW TAPTITE M6-1X10 YELLOW CHROME
78	0D2595	4	SCREW SHOULDER (8MM) M6-1.0 X 18	113	0C9763	4	NUT, GROMMET 1/4 PLUG
79	0D4417	4	WASHER,RUBBER 1/4" X 1/8" THICK	114	0C3036	1	HOSE, BREATHER
80	0C3025	1	SWITCH, OIL PRESS	115	0C8558	1	CLAMP, MANIFOLD
81	0D3083	1	ASSEMBLY, OIL DRAIN HOSE	116	0C8564	1	PLASTITE,#12-16X 3/4
82	0C7292	1	NIPPLE, 3/4"-16 UNF	117	0C3018	1	WRAPPER, UPPER CYLINDER 1
83	070185	1	FILTER, OIL D 69 X 64 LONG	118	0C3019	1	WRAPPER, LOWER CYLINDER 1
84	075281	1	SWITCH, THERMAL 284F	119	0D1142A	1	WRAPPER, LOWER CYLINDER 2
85	0C1085	2	SCREW PPHM M3-0.5 X 8	120	0D1143	1	WRAPPER, UPPER CYLINDER 2
86	043182	2	WASHER LOCK M3	121	066849B	2	SCREW TAPTITE M5-0.8 X 8 BP
87	035461A	2	BARBED STR 1/4NPT X 3/8 WITH VIBRA SEAL	122	0C3053	1	ASSEMBLY, GROUND WIRE
88	040173	4	CLAMP HOSE #5.5 .62 - .62	123	0C3052	2	ASSEMBLY, IGNITION COIL
89	0C9806	2	HOSE, 3/8" I.D. X 6" LONG	124	022097	4	WASHER LOCK M6-1/4
90	0C3026	1	COOLER, OIL	125	092079	4	SCREW TAPTITE M6-1.0 X 25 BP
91	0C9764	4	PLASTITE,1/4-15 X 3/4	126	0C3017	1	STARTER
92	0C3043	2	GASKET, MANIFOLD / PORT	127	0D4529	2	SPARKPLUG
93	0C7694	1	MANIFOLD INTAKE CYLINDER 2	128	022129	2	WASHER LOCK M8-5/16
94	0C7693	1	MANIFOLD INTAKE CYLINDER 1	129	061906	2	SCREW HHC M8-1.25 X 85 G8.8
95	0C3041	2	SLEEVE, RUBBER	130	082774	1	KEY, WOODRFF 4 X 19D
96	070008	4	WASHER FLAT M8 SS	131	052859	1	NUT HEX LOCK M10-1.50
97	070006	4	WASHER LOCK M8 SSTL	132	0C8468	1	SPRING, ANTI-LASH
98	040976	4	SCREW SHC M8-1.25 X 20 G12.9	133	0C3048	1	ROD, GOVERNOR CONTROL
99	0C3016A	1	PLATE, BACKING GT990 WITH OIL COOL	134	0D3754	1	ASSEMBLY, GOVERNOR LEVER
100	0C1069	23	SCREW TAPTITE M6-1.0X8 YELLOW CHROME	135	0D3742	1	SPRING, GOVERNOR
101	085011	1	INSULATOR ASSEMBLY IGNITION	136	0C8482	1	ASSEMBLY, GOVERNOR ADJUSTER
102	0C3725B	1	FLYWHEEL ASSEMBLY	137	0D2576	1	SCREW SHC M10-1.5 X 70 G10.9
103	0C3031	1	FAN, NYLON	138	033469	1	SPACER .22 X .37 X .25 CAD PLT
104	0C3032	1	PLATE, FAN	139	0D3743	1	SPRING, GOVERNOR IDLE
105	0A5992	2	WASHER SHAKEPROOF INT M8 SS	140	0D3705	1	ASSEMBLY, GOVERNOR ADJUSTER BRACKET
106	051754	2	SCREW HHC M8-1.25 X 12 G8.8	141	0C2993	1	SEAL, GOVERNOR SHAFT (NOT SHOWN)
107	0C3033	1	WASHER, M5				



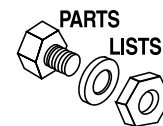


**Section 7 – Exploded Views and Parts Lists**

**Guardian Air-cooled 7 kW, 12 kW and 15 kW Generators**  
**12 kW and 15 kW Generator – Drawing No. OD3417-A**

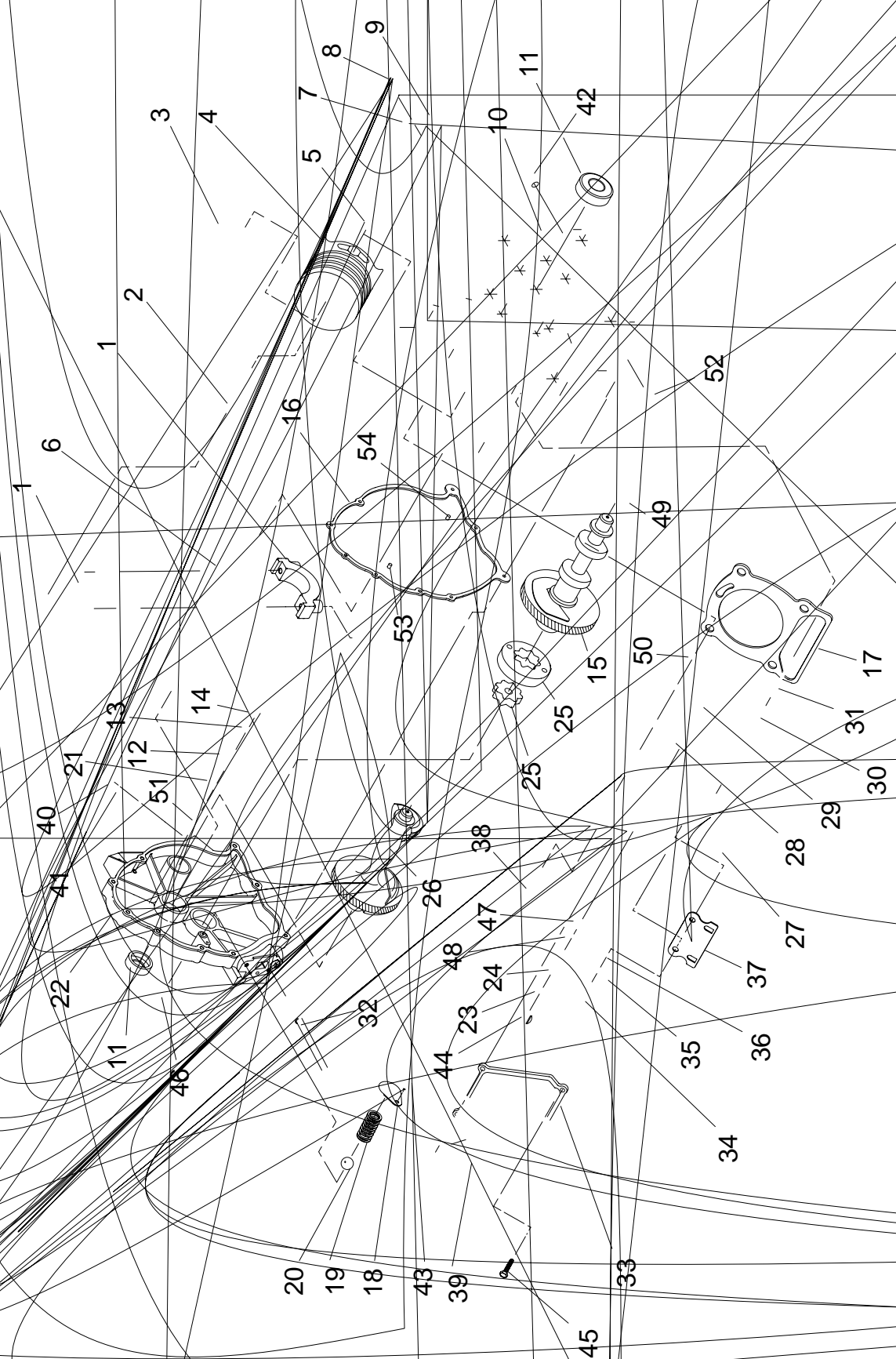


**Section 7 — Exploded Views and Parts Lists**  
**Guardian Air-cooled 7 kW, 12 kW and 15 kW Generators**  
**12 kW and 15 kW Generator – Drawing No. 0D3417-A**

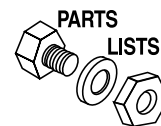


ITEM	PART NO.	QTY.	DESCRIPTION
1	0C6934	1	ADAPTOR, ENGINE
2	0C7930	1	STATOR 12KW
	0D2359		STATOR 15KW
3	0C7944	1	ROTOR 12KW
	0D2356		ROTOR 15KW
4	0C6043	1	CARRIER, REAR BEARING
5	0D2336	1	FAN, 12" CURVED BLADE
6	0C6042	1	MUFFLER
7	0D3220	1	TAIL PIPE, MUFFLER
8	0C8101	1	PANEL, MUFFLER BASE
9	056482	1	BEARING 1.1811-2.8346
10	0C3168	3	5/16 SPECIAL LOCK WASHER
11	0D1838	1	BOLT, IHHC 3/8"-24 x 15.50"
12	0D1846	4	BOLT, IHHC M8-1.25 x 345mm
13	0C7038	1	BRACKET, ALTERNATOR MOUNTING
14	0D1609	1	DUCT, ALTERNATOR AIR
15	0D2559	1	GASKET, ALTERNATOR AIR DUCT
16	0C7038A	1	BRACKET, ENGINE MOUNTING
17	0C7758	4	RUBBER MOUNT
18	0388050AD0	1	CABLE, #6 48" BLACK BATTERY
19	0C2417A	1	EARTH STRAP 3/8X 3/8
20	082121C	1	CLIP-J, VYNL COAT 0.625" ID
21	066386	1	ASSEMBLY BRUSH HOLDER
22	029451	2.6 FT	TAPE ELEC UL FOAM 1/8 X 1/2
23	049451	1	WASHER FLAT .406ID X 1.62OD
24	022237	5	WASHER LOCK 3/8
25	022511	4	SCREW HHC 3/8-16 X 1-1/4 G5
26	022131	4	WASHER FLAT 3/8 ZINC
27	039288	4	SCREW HHC M8-1.25 x 55 G8.8
28	022145	14	WASHER FLAT 5/16 ZINC
29	049820	4	NUT LOCK HEX M8-1.25 NYL INSERT
30	045756	2	SCREW TAPTITE M6-1.0X10 YC
31	022129	10	WASHER LOCK M8-5/16
32	022259	8	NUT HEX 5/16-18 STEEL
33	059637	2	SCREW TAPTITE 3/8-16 X 3/4 CZ
34	083512	4	SCREW TAPTITE M8-1.20 X 16 YC
35	074994	2.83 FT	HOSE RES 1/2 LP GAS
36	057822	4	CLAMP HOSE #8 .53 - 1.00
37	052858	4	NUT LOCK M8
38	0C2824	3	SCREW TAP-R #10-32 x 9/16
39	025145	1	U-BOLT 5/16"-18 X 1.25" WITH SADDLE
40	0C4138	2	GASKET, EXHAUST PORT

**PARTS  
LISTS**



**Section 7 – Exploded Views and Parts Lists**  
**Guardian Air-cooled 7 kW, 12 kW and 15 kW Generators**  
**GN410 Engine – Drawing No. 0D3539-B Part 1**

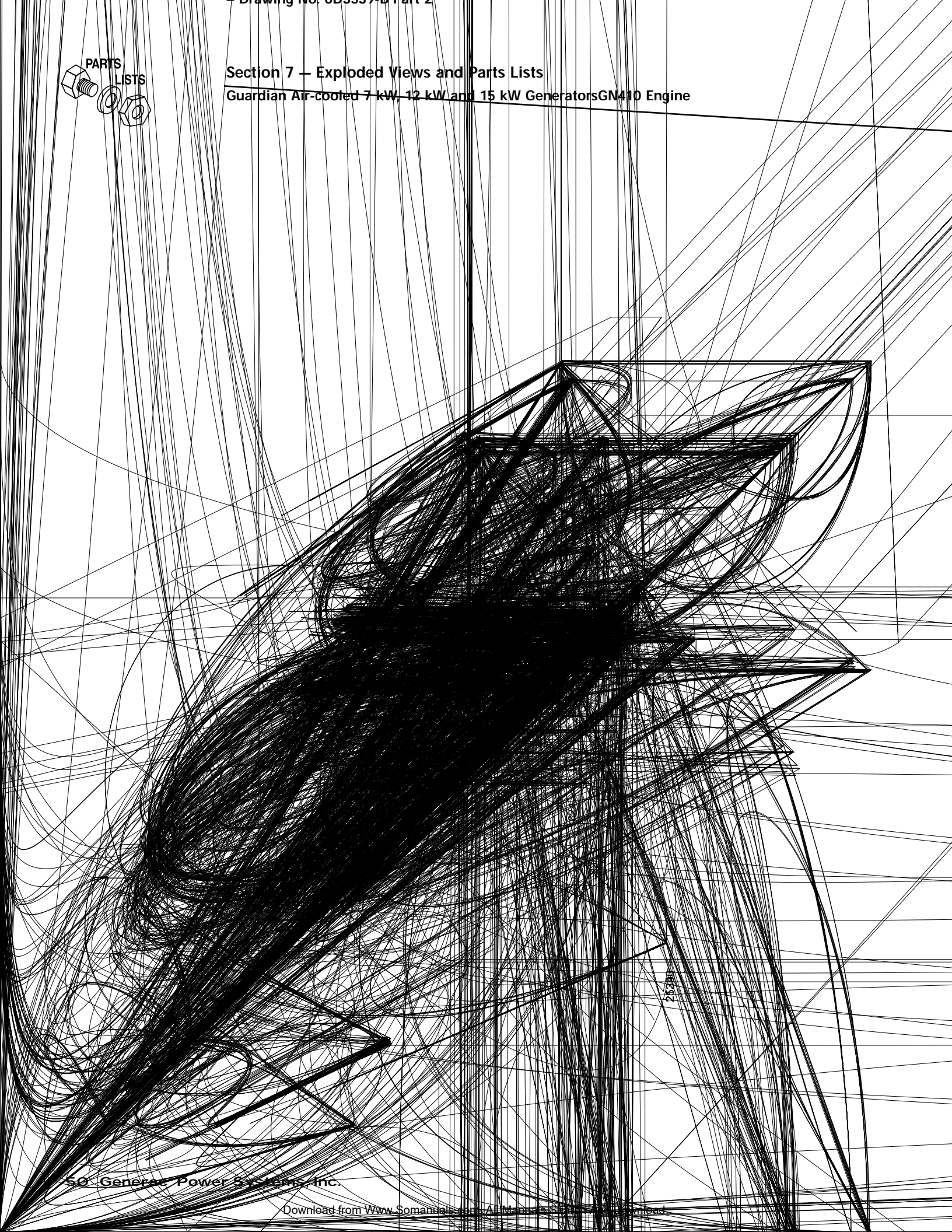


ITEM	PART NO.	QTY.	DESCRIPTION	ITEM	PART NO.	QTY.	DESCRIPTION
1	071978	1	ASSEMBLY, CONNECTING ROD	28	086516	1	VALVE, EXHAUST
2	071980	1	PIN, PISTON D20	29	086517	1	VALVE, INTAKE
3	021533	1	SET, PISTON RING 90MM	30	088396B	2	PUSH ROD
4	0C5848	1	PISTON, HC	31	083897	2	TAPPET
5	071983	2	RETAINER, PISTON PIN 20	32	077158	1	ASSEMBLY, SCREEN OIL PICK-UP
6	0D4287	1	ASSEMBLY, CRANKSHAFT GH410 SMALL TAPER	33	0C3150	1	GASKET, ROCKER COVER 410
7	0A7628	1	ARM, GOVERNOR RC45	34	072694	2	STUD, D20 PIVOT BALL
8	078658	1	PIN, "R" GOVERNOR ARM	35	083907	2	ROCKER ARM
9	078659	2	WASHER, GOVERNOR ARM THRUST	36	072696	2	NUT, JAM (ROCKER ARM)
10	088261E	1	CRANKCASE, SUBASSEMBLY WITH PLUGS GH410	37	078694	1	PLATE, PUSH ROD GUIDE
11	072655	2	SEAL, 35 I.D. CRANKSHAFT	38	021742	4	SCREW, HHFL M10-1.5 X 105
12	0A7975	1	ASSEMBLY, GOVERNOR GEAR	39	0C3972	1	ASSEMBLY, ROCKER COVER BREATHER
13	078645	1	C-RING, GOVERNOR GEAR RETAINER	40	076329	1	PLUG, OIL FILL PLASTIC
14	0A7811	1	SPOOL, GOVERNOR- MACHINE	41	086254	1	O-RING 17.8 I.D. x 2.4
15	0A9877	1	ASSEMBLY, CAMSHAFT & GEAR	42	0D4788	1	PLUG, STANDARD PIPE 3/8 STEEL SQUARE HEAD
16	076701	1	GASKET , CRANKCASE	43	074908	1	SCREW, TAPTITE M5-0.8 X 10 BP
17	021713B	1	GASKET, HEAD 410	44	086515	4	KEEPER, VALVE SPRING
18	078691	1	COVER, OIL PRESSURE RELIEF	45	078606	4	SCREW & LOCKWASHER M6-1 X 12
19	0A5771	1	SPRING, OIL RELIEF 360	46	0A1442	8	SCREW, HHFC M8-1.25 X 42
20	0A5776	1	BALL, DIA 11/32 PRESSURE RELIEF	47	078672	1	SEAL, VALVE STEM D7
21	076361	1	WASHER, THRUST GOVERNOR GEAR	48	089673	2	WASHER, VALVE SPRING
22	0A8898D	1	ASSEMBLY, COVER, GEAR TOP CHECK / FILL	49	0B2104	1	WASHER, LARGE SPRING
23	0D2274	2	RETAINER, VALVE SPRING	50	078699C	2	DOWEL, SEAMED SLEEVE
24	0C4391	2	VALVE SPRING LF	51	0A7627	1	SHAFT, GOVERNOR RC55
25	086025	1	SET,GEROTOR 12 THK	52	043790A	1	BARBED ELBOW 90 3/8NPT X 3/8 LOCKTITE
26	0C7393	1	BALANCER	53	088590	1	DOWEL DIA 12 X 18L
27	021714	1	ASSEMBLY,CYLINDER HEAD SEATS & GUIDES	54	078699B	1	DOWEL, SLEEVE SEAMED 12 DIA.



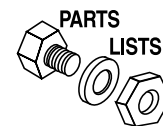
Section 7 – Exploded Views and Parts Lists

Guardian Air-cooled 7 kW, 12 kW and 15 kW Generators GN410 Engine

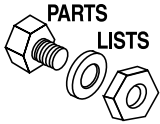




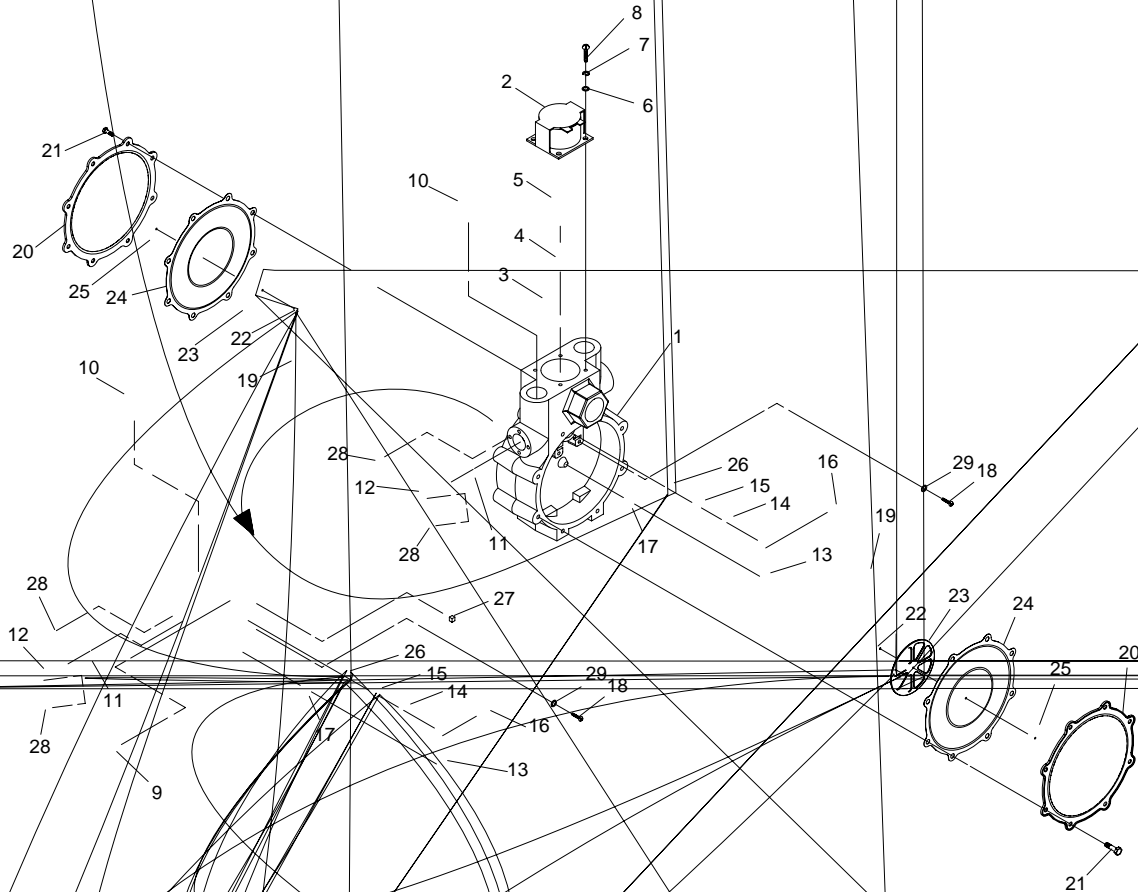
**Section 7 – Exploded Views and Parts Lists**  
**Guardian Air-cooled 7 kW, 12 kW and 15 kW Generators**  
**GN410 Engine – Drawing No. OD3539-B Part 2**



ITEM	PART NO.	QTY.	DESCRIPTION	ITEM	PART NO.	QTY.	DESCRIPTION
1	0C1069	5	SCREW, TAPTITE M6-1.0X8 YELLOW CHROME	23	099236	1	SWITCH, OIL 8.0 PSI
2	0D2922	1	HOUSING, BLOWER	24	070185	1	FILTER, OIL DIA. 69 X 64 LG
3	0C8435	1	TUBE, DIPSTICK	25	082774	1	KEY, WOODRFF 4 X 19D
4	0C9997	1	GUARD, FAN	26	091222ESRV	1	FLYWHEEL WITH RING GEAR 32DEG.
5	088434	1	WRAPPER, BOTTOM	27	067198N	1	WASHER, BELV-20 X 2.2
6	045756	11	SCREW, TAPTITE M6-1X10 YELLOW CHROME	28	067890	1	NUT, HEX - FLYWHEEL
7	088433B	1	WRAPPER, TOP	29	072347	1	SPARKPLUG
8	0C3794	1	BUMPER, NEOPRENE	30	072734	1	ASSEMBLY, GOVERNOR LEVER 12 HP
9	021544	1	STARTER ASSEMBLY, EATON	31	072735	1	ROD, GOVERNOR CONTROL.
10	040976	2	SCREW, SHC M8-1.25 X 20 G12.9	32	0C3978	1	SPRING, ANTI-LASH
11	022129	2	WASHER, LOCK M8-5/16	33	0C6040	1	ASSEMBLY, WIRE
12	0C2458A	1	BACKPLATE, L/F D/F	34	084542	1	ASSEMBLY, IGNITION COIL - GN LF
13	083512	1	SCREW, TAPTITE M8-1.2 X 16 YC	35	092079	2	SCREW, TAPTITE M6-1.0 X 25 BP
14	0D1401	1	BREATHER TUBE	36	0A8222	1	SPRING, GOVERNOR 8#
15	091039	1	GASKET, INTAKE ADAPTER	37	083502	1	BOLT, GOVERNOR ADJUST M5
16	0C9619	1	ASSEMBLY, PLASTIC CARB	38	083503	1	NUT, M5-0.8 METAL LOCK
17	049811	2	WASHER, FLAT M6	39	0D3083	1	ASSEMBLY, OIL DRAIN HOSE
18	022097	4	WASHER, LOCK M6-1/4	40	0C8434	1	ASSEMBLY, CAP & DIPSTICK
19	040945	2	SCREW, SHC M6-1.0 X 20 G12.9	41	090072	1	O-RING 9/16 X 3/4 X 3/32
20	086999	1	GASKET, OIL FILTR ADAPTER	42	075281	1	SWITCH, THERMAL
21	0D5667A	1	ADAPTER, OIL FILTER	43	043182	2	WASHER LOCK M3
22	049821	2	SCREW, SHC M8-1.25 X 30 G12.9	44	0C1085	2	SCREW PPHM M3-0.5 X 8



**Section 7 – Exploded Views and Parts Lists**  
**Guardian Air-cooled 7 kW, 12 kW and 15 kW Generators**  
**Gas Regulator – Drawing No. 0D1259-A**



ITEM	PART NO.	QTY.	DESCRIPTION	ITEM	PART NO.	QTY.	DESCRIPTION
1	0C5322	1	CASTING, TWIN REGULATOR HOUSING	19	0C6069	2*	GASKET, DIAPHRAGM
2	0C5765	1	SOLENOID, TWIN REGULATOR	20	0C5762	2*	COVER, TWIN REGULATOR
3	0C4647	1	GASKET, SOLENOID	21	045764	16	SCREW, TAPTITE M4X8 BP (12KW / 15KW)
4	0C4680	1	PLUNGER, LP REGULATOR ASSEMBLY		045764	8	SCREW, TAPTITE M4X8 BP (7KW)
5	0C6070	1	SPRING-SOLENOID-PLUNGER	22	0C6731	2*	RIVET, POP .118 X .125
6	022985	4	WASHER, FLAT #6	23	0C6067	2*	SUPPORT, DIAPHRAGM
7	022264	4	WASHER, LOCK M4	24	0C4706	2*	DIAPHRAGM, TWIN REGULATOR/ SOLENOID
8	075475	4	SCREW PPHM M4-0.7 X 10	25	0C6068	2*	CAP, DIAPHRAGM SUPPORT
9	0C5760D	2	JET, GN 990 ENGINE LP (12KW / 15KW)	26	0C4643A	2*	INLET, TWIN REGULATOR 11.11 DIA.
	0C5760A	1	JET, GN 410 ENGINE LP (7KW)	27	026073	1	PLUG, STANDARD PIPE 1/8 STEEL SQUARE HEAD
10	0C6606	2*	BARBED STRAIGHT 1/2NPT x 1/2	28	0A4032	4*	PIN, LIMITED ADJUSTMENT
11	097934	2*	O-RING, CHECK VALVE	29	0D3308	4	WASHER, FLAT M3 X 10mm O.D. (12KW / 15KW)
12	0C4645	2*	ADJUSTER SCREW, TWIN REGULATOR		0D3308	2	WASHER, FLAT M3 X 10mm O.D. (7KW)
13	0C5761	2*	LEVER, REGULATOR	30	0C4643	1	INLET, TWIN REGULATOR NO HOLE - NOT SHOWN (7KW)
14	0C5968	2*	SUPPORT, INLET SEAL				
15	0C6066	2*	SEAL, INLET				
16	0C5759	2*	PIN, PIVOT ARM				
17	0C5764	2	SPRING, REGULATOR (12KW / 15KW)				
	0C5764A	1	SPRING, REGULATOR (7KW)				
18	070728	4	SCREW, PFIHM M3-0.5 x 5 (12KW / 15KW)				
	070728	2	SCREW, PFIHM M3-0.5 x 5 (7KW)				

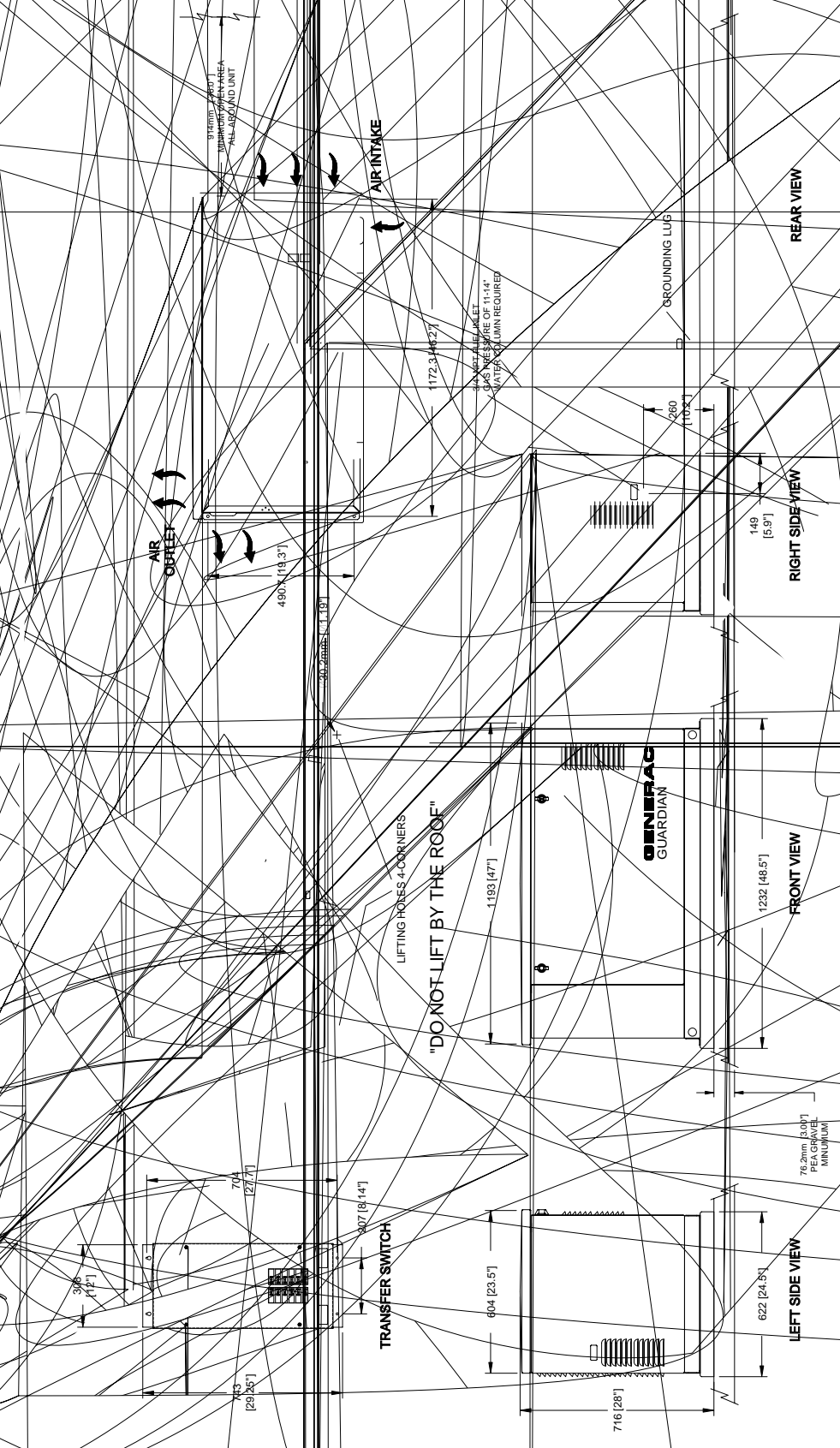
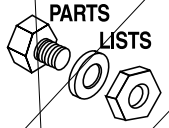
\* A QUANTITY OF 1 IS TO BE USED ON 7KW HOME STANDBY





Section 9 – Mounting Dimensions

Guardian Air-cooled 7 kW, 12 kW and 15 kW Generators  
Drawing No. OD3739-A





## Section 10 – Warranty

Guardian Air-cooled 7 kW, 12 kW and 15 kW Generators

**NOTE: This Emission Control Warranty Statement pertains to this product only IF the generator size is 15 kW or below.**

# CALIFORNIA EMISSION CONTROL WARRANTY STATEMENT

## YOUR WARRANTY RIGHTS AND OBLIGATIONS

The California Air Resources Board (CARB) and Generac Power Systems, Inc. (Generac) are pleased to explain the Emission Control System Warranty on your new engine.\* In California, new utility, and lawn and garden equipment engines must be designed, built and equipped to meet the state's stringent anti-smog standards. Generac will warrant the emission control system on your engine for the periods of time listed below provided there has been no abuse, neglect, unapproved modification or improper maintenance of your engine.

Your emission control system may include parts such as the carburetor, ignition system and exhaust system. Generac will repair your engine at no cost to you for diagnosis, replacement parts and labor, should a warrantable condition occur.

### MANUFACTURER'S EMISSION CONTROL SYSTEM WARRANTY COVERAGE:

Emissions control systems on 1995 and later model year engines are warranted for two years as hereinafter noted. If, during such warranty period, any emission-related component or system on your engine is found to be defective in materials or workmanship, repairs or replacement will be performed by a Generac Authorized Warranty Service Facility.

### PURCHASER'S/OWNER'S WARRANTY RESPONSIBILITIES:

As the engine purchaser/owner, you are responsible for the completion of all required maintenance as listed in your factory supplied *Owner's Manual*. For warranty purposes, Generac recommends that you retain all receipts covering maintenance on your engine. However, Generac cannot deny warranty solely due to the lack of receipts or for your failure to ensure the completion of all scheduled maintenance.

As the engine purchaser/owner, you should, however, be aware that Generac may deny any and/or all warranty coverage or responsibility if your engine, or a part/component thereof, has failed due to abuse, neglect, improper maintenance or unapproved modifications, or the use of counterfeit and/or "grey market" parts not made, supplied or approved by Generac.

**You are responsible for contacting a Generac Authorized Warranty Service Facility as soon as a problem occurs.** The warranty repairs should be completed in a reasonable amount of time, not to exceed 30 days.

Warranty service can be arranged by contacting either your selling dealer or a Generac Authorized Warranty Service Facility. To locate the Generac Authorized Warranty Service Facility nearest you, call our toll-free number:

**1-800-333-1322**

**IMPORTANT NOTE:** This warranty statement explains your rights and obligations under the Emission Control System Warranty (ECS Warranty), which is provided to you by Generac pursuant to California law. See also the "Generac Limited Warranties for Generac Power Systems, Inc.," which is enclosed herewith on a separate sheet, also provided to you by Generac. The ECS Warranty applies **only** to the emission control system of your new engine. If there is any conflict in terms between the ECS Warranty and the Generac Warranty, the ECS Warranty shall apply except in circumstances where the Generac Warranty may provide a longer warranty period. Both the ECS Warranty and the Generac Warranty describe important rights and obligations with respect to your new engine.

Warranty service can be performed only by a Generac Authorized Warranty Service Facility. When requesting warranty service, evidence must be presented showing the date of the sale to the original purchaser/owner.

**If you have any questions regarding your warranty rights and responsibilities, you should contact Generac at one of the following addresses:**

#### For Air-cooled Product ...

ATTENTION WARRANTY DEPARTMENT  
GENERAC POWER SYSTEMS, INC.  
P.O. BOX 297  
WHITEWATER, WI 53190

#### For Liquid-cooled Product ...

ATTENTION WARRANTY DEPARTMENT  
GENERAC POWER SYSTEMS, INC.  
211 MURPHY DRIVE  
EAGLE, WI 53119

**Part 1**



## EMISSION CONTROL SYSTEM WARRANTY

Emission Control System Warranty (ECS Warranty) for 1995 and later model year engines:

- (a) **Applicability:** This warranty shall apply to 1995 and later model year engines. The ECS Warranty Period shall begin on the date the new engine or equipment is purchased by/delivered to its original, end-use purchaser/owner and shall continue for 24 consecutive months thereafter.
- (b) **General Emissions Warranty Coverage:** Generac warrants to the original, end-use purchaser/owner of the new engine or equipment and to each subsequent purchaser/owner that each of its engines is ...
- (1) Designed, built and equipped so as to conform with all applicable regulations adopted by the CARB pursuant to its authority, and
  - (2) Free from defects in materials and workmanship which, at any time during the ECS Warranty Period, may cause a warranted emissions-related part to fail to be identical in all material respects to the part as described in the engine manufacturer's application for certification.
- (c) The ECS Warranty only pertains to emissions-related parts on your engine, as follows:
- (1) Any warranted, emissions-related parts that are not scheduled for replacement as required maintenance in the *Owner's Manual* shall be warranted for the ECS Warranty Period. If any such part fails during the ECS Warranty Period, it shall be repaired or replaced by Generac according to Subsection (4) below. Any such part repaired or replaced under the ECS Warranty shall be warranted for the remainder of the ECS Warranty Period.
  - (2) Any warranted, emissions-related part that is scheduled only for regular inspection as specified in the *Owner's Manual* shall be warranted for the ECS Warranty Period. A statement in such written instructions to the effect of "repair or replace as necessary" shall not reduce the ECS Warranty Period. Any such part repaired or replaced under the ECS Warranty shall be warranted for the remainder of the ECS Warranty Period.
  - (3) Any warranted, emissions-related part that is scheduled for replacement as required maintenance in the *Owner's Manual* shall be warranted for the period of time prior to the first scheduled replacement point for that part. If the part fails prior to the first scheduled replacement, the part shall be repaired or replaced by Generac according to Subsection (4) below. Any such emissions-related part repaired or replaced under the ECS Warranty shall be warranted for the remainder of the ECS Warranty Period prior to the first scheduled replacement point for such emissions-related part.
  - (4) Repair or replacement of any warranted, emissions-related part under this ECS Warranty shall be performed at no charge to the owner at a Generac Authorized Warranty Service Facility.
  - (5) When the engine is inspected by a Generac Authorized Warranty Service Facility, the owner shall not be held responsible for diagnostic costs if the repair is deemed warrantable.
  - (6) Generac shall be liable for damages to other original engine components or approved modifications proximately caused by a failure under warranty of any emission-related part covered by the ECS Warranty.
  - (7) Throughout the ECS Warranty Period, Generac shall maintain a supply of warranted emission-related parts sufficient to meet the expected demand for such emission-related parts.
  - (8) Any Generac authorized and approved emission-related replacement part may be used in the performance of any ECS Warranty maintenance or repairs and will be provided without charge to the owner. Such use shall not reduce Generac ECS Warranty obligations.
  - (9) Unapproved, add-on, modified, counterfeit and/or "grey market" parts may not be used to modify or repair a Generac engine. Such use voids this ECS Warranty and shall be sufficient grounds for disallowing an ECS Warranty claim. Generac shall not be held liable hereunder for failures of any warranted parts of a Generac engine caused by the use of such an unapproved, add-on, modified, counterfeit and/or "grey market" part.

### EMISSION RELATED PARTS INCLUDE THE FOLLOWING:

- |   |   |
|---|---|
| <ol style="list-style-type: none"> <li>1) Fuel Metering System:</li> <li>1.2) LPG/Natural Gas carburetion assembly and its internal components.               <ol style="list-style-type: none"> <li>a) Fuel controller (if so equipped)</li> <li>b) Mixer and its gaskets (if so equipped)</li> <li>c) Carburetor and its gaskets (if so equipped)</li> <li>d) Primary gas regulator (if so equipped)</li> <li>e) LP liquid vaporizer (if so equipped)</li> </ol> </li> <li>2) Air Induction System including:               <ol style="list-style-type: none"> <li>a) Intake pipe/manifold</li> <li>b) Air cleaner</li> </ol> </li> </ol> | <ol style="list-style-type: none"> <li>3) Ignition System including:               <ol style="list-style-type: none"> <li>a) Spark plug</li> <li>b) Ignition module</li> </ol> </li> <li>4) Catalytic Muffler Assembly (if so equipped) including:               <ol style="list-style-type: none"> <li>a) Muffler gasket</li> <li>b) Exhaust manifold</li> </ol> </li> <li>5) Crankcase Breather Assembly including:               <ol style="list-style-type: none"> <li>a) Breather connection tube</li> </ol> </li> </ol> |
|---|---|

\*Generac engine types covered by this warranty statement include the following:

- 1) Prepackaged Standby Generator
- 2) Auxiliary Power Unit (APU) Generator
- 3) Standby Generator

**Part 2**



## Section 10 – Warranty

Guardian Air-cooled 7 kW, 12 kW and 15 kW Generators

### GENERAC POWER SYSTEMS "TWO YEAR" STANDARD WARRANTY FOR GUARDIAN® "PREPACKAGED EMERGENCY AUTOMATIC STANDBY GENERATORS"

For a period of two years or 2000 hours of operation from the date of original sale, whichever occurs first, Generac Power Systems, Inc. (Generac) will, at its option, repair or replace any part which, upon examination, inspection and testing by Generac or a Generac Authorized Warranty Service Dealer, is found to be defective under normal use and service, in accordance with the warranty schedule set forth below. Any equipment that the purchaser/owner claims to be defective must be returned to and examined by the nearest Generac Authorized Warranty Service Dealer. All transportation costs under the warranty, including return to the factory, are to be borne and prepaid by the purchaser/owner. This warranty applies only to Generac Guardian prepackaged emergency automatic standby generators sold and rated for use in "Standby" applications.

#### WARRANTY SCHEDULE

**YEARS ONE and TWO** - 100% (one hundred percent) transferable coverage on Labor and Part(s) listed (proof of purchase and maintenance is required):

- Engine - All Components
- Alternator - All Components
- Transfer System - All Components

All warranty expense allowances are subject to the conditions defined in Generac's Warranty Policies, Procedures and Flat Rate Manual.

#### **THIS WARRANTY SHALL NOT APPLY TO THE FOLLOWING:**

- Generac Guardian generators that utilize non-Generac replacement parts.
- Any Generac Guardian generators used as rental or trailer mounted applications.
- Units used for prime power in place of existing utility power where utility power is present or in place of utility power where utility power service does not normally exist.
- Costs of normal maintenance, adjustments, installation and start-up.
- Failures caused by any contaminated fuels, oils, coolants or lack of proper fluid amounts.
- Failures due, but not limited, to normal wear and tear, accident, misuse, abuse, negligence or improper installation. As with all mechanical devices, the Generac engines need periodic part(s) service and replacement to perform well. This warranty will not cover repair when normal use has exhausted the life of a part(s) or engine.
- Failures caused by any external cause or act of God, such as collision, theft, vandalism, riot or wars, nuclear holocaust, fire, freezing, lightning, earthquake, windstorm, hail, volcanic eruption, water or flood, tornado or hurricane.
- Damage related to rodent infestation.
- Products that are modified or altered in a manner not authorized by Generac in writing.
- Any incidental, consequential or indirect damages caused by defects in materials or workmanship, or any delay in repair or replacement of the defective part(s).
- Failure due to misapplication.
- Telephone, cellular phone, facsimile, internet access or other communication expenses.
- Living or travel expenses of person(s) performing service, except as specifically included within the terms of a specific unit warranty period.
- Expenses related to "customer instruction" or troubleshooting where no manufacturing defect is found.
- Rental equipment used while warranty repairs are being performed.
- Overnight freight costs for replacement part(s).
- Overtime labor.
- Starting batteries, fuses, light bulbs and engine fluids.

THIS WARRANTY IS IN PLACE OF ALL OTHER WARRANTIES, EXPRESSED OR IMPLIED. SPECIFICALLY, GENERAC MAKES NO OTHER WARRANTIES AS TO THE MERCHANTABILITY OR FITNESS FOR A PARTICULAR PURPOSE. Some states do not allow limitations on how long an implied warranty lasts, so the above limitation may not apply to you.

GENERAC'S ONLY LIABILITY SHALL BE THE REPAIR OR REPLACEMENT OF PART(S) AS STATED ABOVE. IN NO EVENT SHALL GENERAC BE LIABLE FOR ANY INCIDENTAL OR CONSEQUENTIAL DAMAGES, EVEN IF SUCH DAMAGES ARE A DIRECT RESULT OF GENERAC'S NEGLIGENCE. Some states do not allow the exclusion or limitation of incidental or consequential damages, so the above limitation may not apply to you.

This warranty gives you specific legal rights. You also have other rights from state to state.

**GENERAC® POWER SYSTEMS, INC.**

P.O. BOX 297

WHITEWATER, WI 53190



## Free Manuals Download Website

<http://myh66.com>

<http://usermanuals.us>

<http://www.somanuals.com>

<http://www.4manuals.cc>

<http://www.manual-lib.com>

<http://www.404manual.com>

<http://www.luxmanual.com>

<http://aubethermostatmanual.com>

Golf course search by state

<http://golfingnear.com>

Email search by domain

<http://emailbydomain.com>

Auto manuals search

<http://auto.somanuals.com>

TV manuals search

<http://tv.somanuals.com>