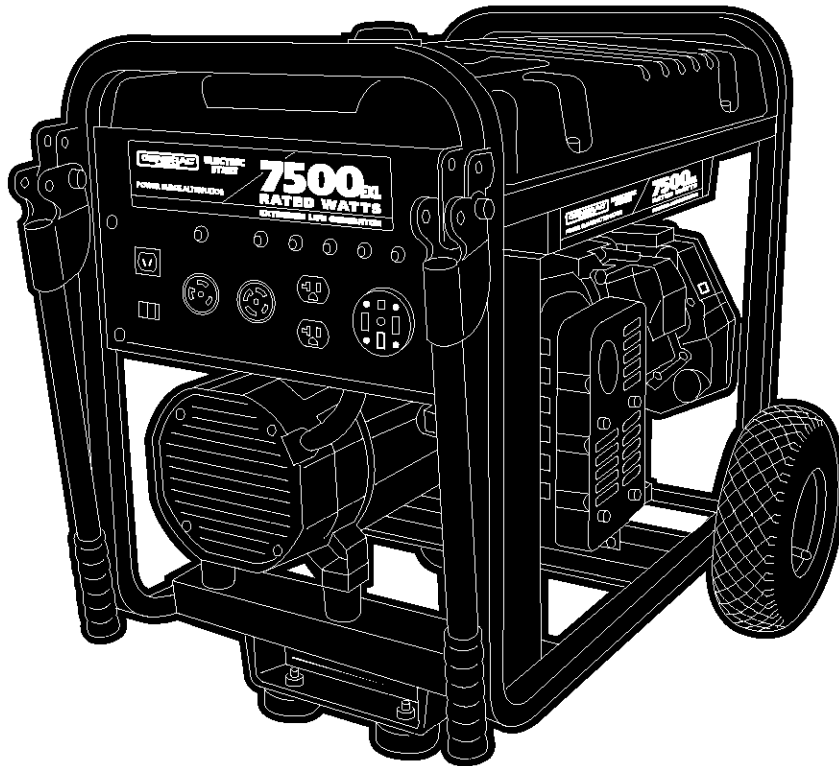




7500^{EXL} RATED WATT

EXTENDED LIFE GENERATOR

Owner's Manual



Parts Included*

- Generator
- Wheel kit
- Storage Cover
- Battery
- Battery Float Charger
- Battery Charge Cables
- Spare Spark Plug, Air Filter, and Oil Filter
- Spark Plug Wrench
- (2) Locking 30 Amp Plugs
- Engine Oil
- Owner's Manual
- Engine Manual

*If any parts are missing or damaged, call 1-800-270-1408.

Table of Contents

Safety Rules	2-4
Know Your Generator	5
Assembly	6-7
Operation	8-13
Product Specifications	14
Maintenance	14
Storage	15
Troubleshooting	15
Schematic	16
Wiring Diagram	17
Replacement Parts	18-22
Notes	23
Warranty	Last Page

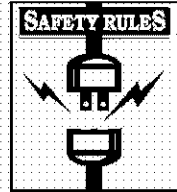
Questions? Help is just a moment away!

Call: **Generac Generator Helpline - 1-800-270-1408** M-F 8-5 CT

Web: www.generac-portables.com



Model No. 1019-3 (7,500 Watt AC Generator) Manual No. 189713GS Revision 5 (12/18/2003)



EQUIPMENT DESCRIPTION



Read this manual carefully and become familiar with your generator. Know its applications, its limitations and any hazards involved.

The generators are an engine-driven, revolving field, alternating current (AC) generator. It was designed to supply electrical power for operating compatible electrical lighting, appliances, tools and motor loads. The generator's revolving field is driven at about 3,600 rpm by a single-cylinder engine.

CAUTION! DO NOT exceed the generator's wattage/ampere capacity. See "Don't Overload Generator" on page 13.

Every effort has been made to ensure that information in this manual is accurate and current. However, we reserve the right to change, alter or otherwise improve the product and this document at any time without prior notice.


The Emission Control System for this generator is warranted for standards set by the Environmental Protection Agency. For warranty information refer to the engine owner's manual.

In the State of California a spark arrester is required by law (Section 4442 of the California Public Resources Code). Other states may have similar laws. Federal laws apply on federal lands. If you equip the muffler with a spark arrester, it must be maintained in effective working order.

SAFETY RULES












This is the safety alert symbol. It is used to alert you to potential personal injury hazards. Obey all safety messages that follow this symbol to avoid possible injury or death.

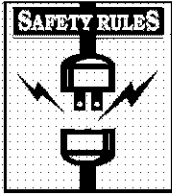
The safety alert symbol () is used with a signal word (DANGER, CAUTION, WARNING), a pictorial and/or a safety message to alert you to hazards. **DANGER** indicates a hazard which, if not avoided, *will* result in death or serious injury. **WARNING** indicates a hazard which, if not avoided, *could* result in death or serious injury. **CAUTION** indicates a hazard which, if not avoided, *might* result in minor or moderate injury. **CAUTION**, when used **without** the alert symbol, indicates a situation that could result in equipment damage. Follow safety messages to avoid or reduce the risk of injury or death.

WARNING

The engine exhaust from this product contains chemicals known to the State of California to cause cancer, birth defects, or other reproductive harm.

Hazard Symbols and Meanings

		
Electrocution	Electrical Shock	Electrical Shock
		
Toxic Fumes	Explosion	Fire
		
Explosive Pressure	Chemical Burn	Hot Surface



⚠ DANGER



Running generator gives off carbon monoxide, an odorless, colorless, poison gas. Breathing carbon monoxide will cause nausea, fainting or death.

- Operate generator **ONLY** outdoors.
- Keep at least 2 feet of clearance on all sides of generator for adequate ventilation.
- **DO NOT** operate generator inside any building or enclosure, including the generator compartment of a recreational vehicle (RV).

⚠ DANGER



Generator produces powerful voltage. Failure to isolate generator from power utility can result in death or injury to electric utility workers due to backfeed of electrical energy.

- When using generator for backup power, notify utility company. Use approved transfer equipment to isolate generator from electric utility.
- Use a ground circuit fault interrupter (GFCI) in any damp or highly conductive area, such as metal decking or steel work.
- **DO NOT** touch bare wires or receptacles.
- **DO NOT** use generator with electrical cords which are worn, frayed, bare or otherwise damaged.
- **DO NOT** operate generator in the rain.
- **DO NOT** handle generator or electrical cords while standing in water, while barefoot, or while hands or feet are wet.
- **DO NOT** allow unqualified persons or children to operate or service generator.

⚠ DANGER



Storage batteries give off explosive hydrogen gas during recharging.

Hydrogen gas stays around battery for a long time after battery has been charged.

Slightest spark will ignite hydrogen and cause explosion.

You can be blinded or severely injured.



Battery electrolyte fluid contains acid and is extremely caustic.

Contact with battery fluid will cause severe chemical burns.

- **DO NOT** allow any open flame, spark, heat, or lit cigarette during and for several minutes after charging a battery.
- Wear protective goggles, rubber apron, and rubber gloves.

⚠ WARNING



Fuel and its vapors are extremely flammable and explosive.



Fire or explosion can cause severe burns or death.

WHEN ADDING FUEL

- Turn generator **OFF** and let it cool at least 2 minutes before removing gas cap. Loosen cap slowly to relieve pressure in tank.
- Fill fuel tank outdoors.
- **DO NOT** overfill tank. Allow space for fuel expansion.
- Keep fuel away from sparks, open flames, pilot lights, heat, and other ignition sources.
- **DO NOT** light a cigarette or smoke.

WHEN OPERATING EQUIPMENT

- **DO NOT** tip engine or equipment at angle which causes fuel to spill.
- This generator is not for use in mobile equipment or marine applications.

WHEN TRANSPORTING OR REPAIRING EQUIPMENT

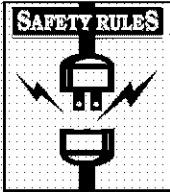
- Transport/repair with fuel tank **EMPTY** or with fuel shutoff valve **OFF**.
- Disconnect spark plug wire.

WHEN STORING FUEL OR EQUIPMENT WITH FUEL IN TANK

- Store away from furnaces, stoves, water heaters, clothes dryers or other appliances that have pilot light or other ignition source because they can ignite fuel vapors.

⚠ WARNING

- This generator does not meet U. S. Coast Guard Regulation 33CFR-183 and should not be used on marine applications.
- Failure to use the appropriate U. S. Coast Guard approved generator could result in bodily injury and/or property damage.



WARNING



Unintentional sparking can result in fire or electric shock.

WHEN ADJUSTING OR MAKING REPAIRS TO YOUR GENERATOR

- Disconnect the spark plug wire from the spark plug and place the wire where it cannot contact spark plug.

WARNING



Running engines produce heat. Temperature of muffler and nearby areas can reach or exceed 150°F (65°C). Severe burns can occur on contact.

- DO NOT touch hot surfaces.
- Allow equipment to cool before touching.

CAUTION

Excessively high operating speeds increase risk of injury and damage to generator.

Excessively low speeds impose a heavy load.

- DO NOT tamper with governed speed. Generator supplies correct rated frequency and voltage when running at governed speed.
- DO NOT modify generator in any way.

CAUTION

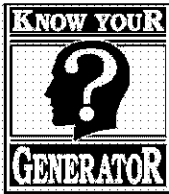
Exceeding generators wattage/ampere capacity can damage generator and/or electrical devices connected to it.

- See "Don't Overload Generator" on page 13.
- Start generator and let engine stabilize before connecting electrical loads.
- Connect electrical loads in OFF position, then turn ON for operation.
- Turn electrical loads OFF and disconnect from generator before stopping generator.

CAUTION

Improper treatment of generator can damage it and shorten its life.

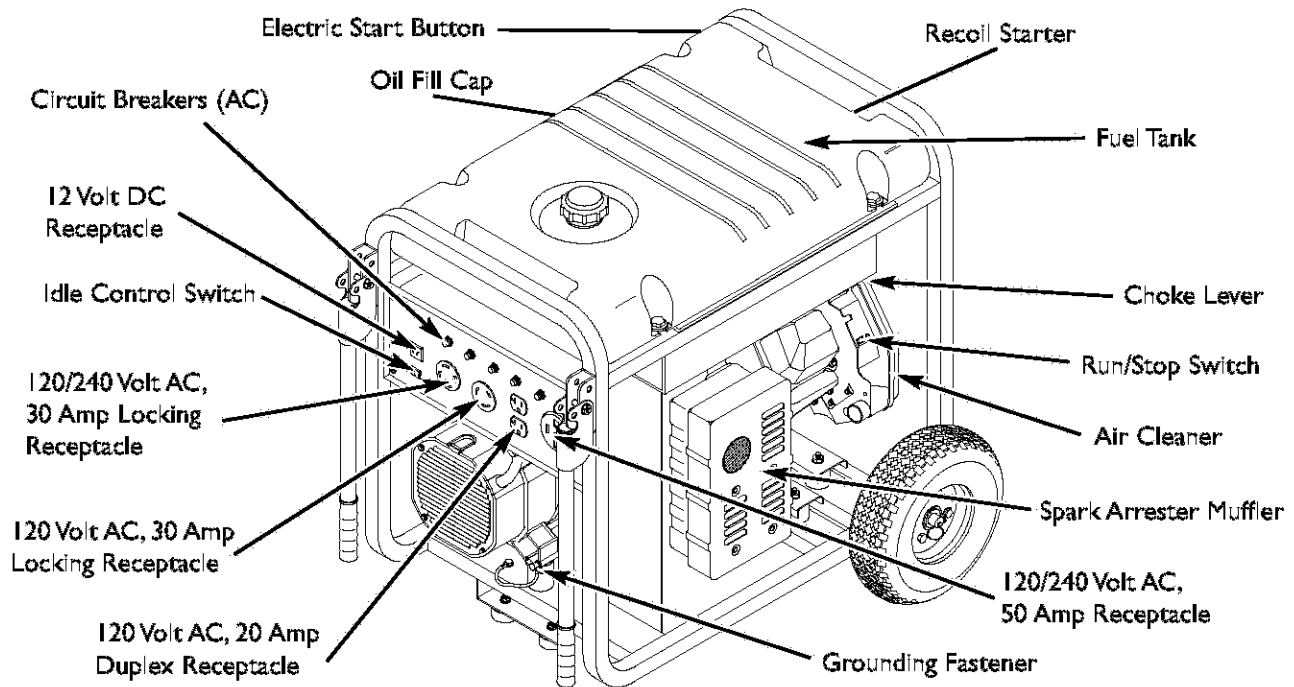
- Use generator only for intended uses.
- If you have questions about intended use, ask dealer or call 1-800-270-1408.
- Operate generator only on level surfaces.
- DO NOT expose generator to excessive moisture, dust, dirt, or corrosive vapors.
- DO NOT insert any objects through cooling slots.
- If connected devices overheat, turn them off and disconnect them from generator.
- Shut off generator if:
 - electrical output is lost;
 - equipment sparks, smokes, or emits flames;
 - unit vibrates excessively.



KNOW YOUR GENERATOR

Read this owner's manual and safety rules before operating your generator.

Compare the illustrations with your generator, to familiarize yourself with the locations of various controls and adjustments. Save this manual for future reference.



12 Volt DC Receptacle — Use this receptacle with battery charge cables to charge a 12 Volt battery.

120 Volt AC, 20 Amp Duplex Receptacle — May be used to supply electrical power for the operation of 120 Volt AC, single phase, 60 Hz electrical lighting, appliance, tool and motor loads.

120 Volt AC, 30 Amp Locking Receptacle — May be used to supply electrical power for the operation of 120 Volt AC, 30 Amp, single phase, 60 Hz electrical lighting, appliance, tool and motor loads.

120/240 Volt AC, 30 Amp Locking Receptacle — May be used to supply electrical power for the operation of 120 and/or 240 Volt AC, 30 Amp, single phase, 60 Hz electrical lighting, appliance, tool and motor loads.

120/240 Volt AC, 50 Amp Receptacle — May be used to supply electrical power for the operation of 240 Volt AC, 50 Amp, single phase, 60 Hz electrical loads.

Air Cleaner — Uses a dry type filter element and foam pre-cleaner to limit the amount of dirt and dust sucked into the engine.

Choke Lever — Used when starting a cold engine.

Circuit Breakers (AC) — Each receptacle is provided with a "push to reset" circuit breaker to protect the generator against electrical overload.

Fuel Tank — Capacity of seven (7) U.S. gallons.

Electric Start Switch — Press to start the engine.

Grounding Fastener — If required, please consult a qualified electrician, electrical inspector, or local agency having jurisdiction.

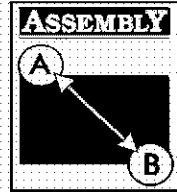
Idle Control Switch — The idle control runs the engine at normal (high) speeds when there is a load present and runs the engine at idle (low) speeds when a load is not present.

Oil Fill Cap — Add oil to engine here.

Recoil Starter — Used to start the engine manually.

Run/Stop Switch — Must be in "Run" position to start engine. Set to "Stop" to stop a running engine.

Spark Arrester Muffler — Exhaust muffler; lowers engine noise and is equipped with a spark arrester screen.



ASSEMBLY

Your generator requires some assembly and is ready for use after it has been properly serviced with the recommended oil and fuel.

If you have any problems with the assembly of your generator, please call the generator helpline at 1-800-270-1408.

IMPORTANT: Any attempt to run the unit before it has been serviced with the recommended oil will result in an engine failure.

Remove Generator From Carton

1. Set carton on a rigid flat surface with "This Side Up" arrows pointing upward.
2. Carefully open top flaps of shipping carton. Review "Cold Weather Operation" on page 10.
3. Cut down corners at one end of carton from top to bottom and lay that side of carton down flat.
4. Remove all packing material, carton fillers, etc.
5. Remove the generator from the shipping carton.

Install Wheel Kit

The wheel kit is designed to greatly improve the portability of your generator.

NOTE: Wheel kit is not intended for over-the-road use.

You will need a socket wrench with 1/2" or 13mm sockets and a needle-nose plier to install this kit.

Refer to Figure 1 and install the wheel kit as follows:

1. Place the bottom of the generator cradle on a flat, even surface. Temporarily place unit on blocks to ease assembly.
2. Slide axle through both axle mounting brackets on cradle frame, as shown in Figure 1.
3. Slide a wheel over the axle.

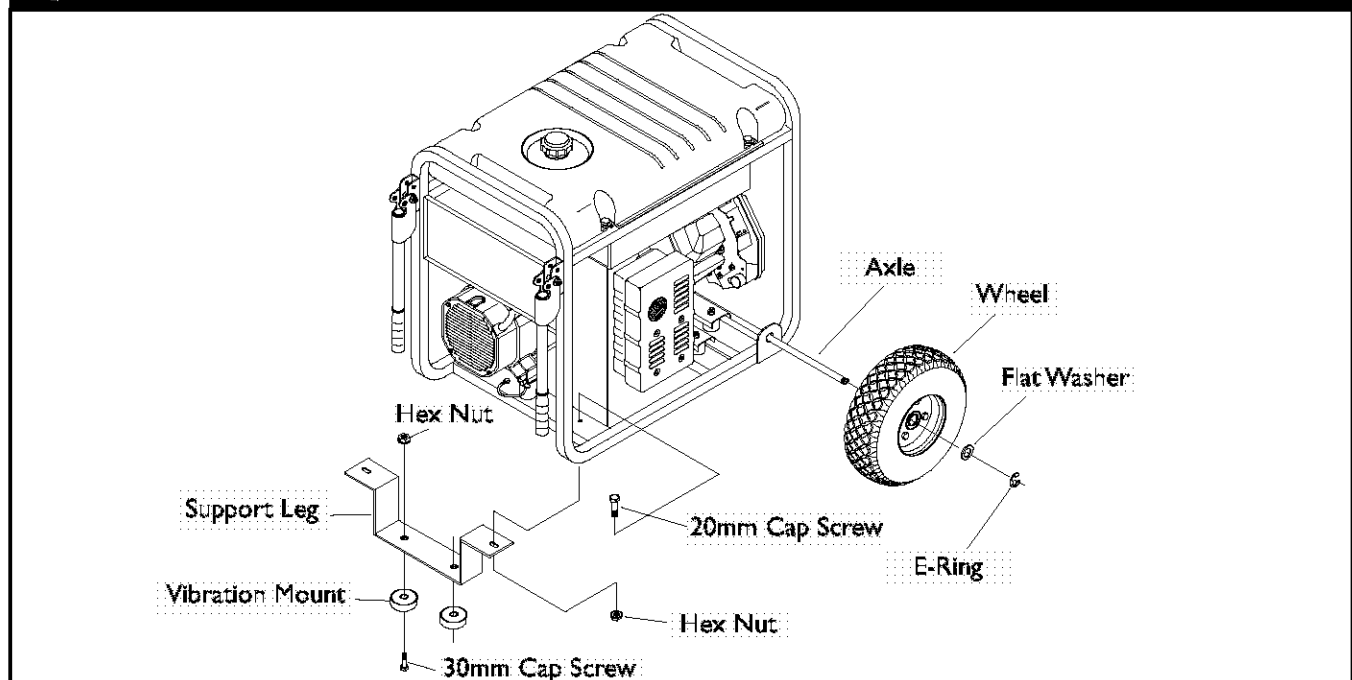
NOTE: Be sure to install both wheels with the air pressure valve on the outboard side.

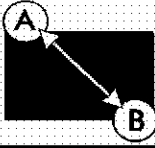
4. Place the e-ring onto the groove in the axle. You may add the flat washer if desired.

NOTE: Use retaining pins instead of e-clip, if applicable.

5. Place one end of the needle nose pliers on the bottom of the axle and the other end of the pliers on top of the e-ring. Seat the e-ring by pressing the pliers closed.
6. Repeat step 3 through 5 to secure second wheel.

Figure 1 — Install Wheel Kit





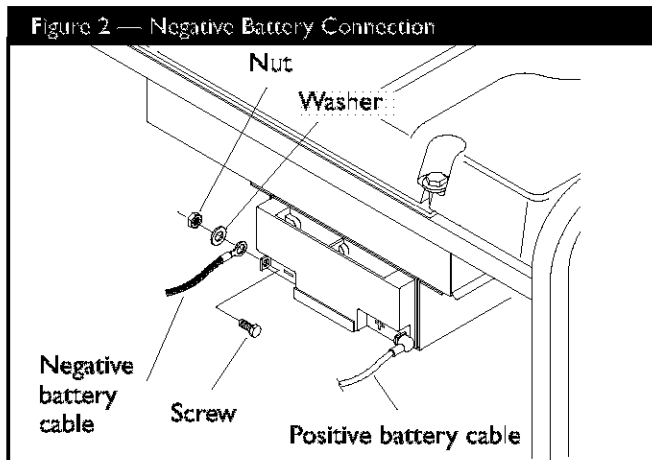
7. Remove the temporary blocks.
8. Attach the vibration mounts to the support leg with 30mm capscrews, washers and lock nuts.
9. With the wheels on, you can now lift up the handle end and attach the support leg with 20mm cap screws and lock nuts.
10. Check that all fasteners are tight and the tires are inflated to the value marked on the tire or within 15 and 40 psi.

Check Battery / Attach Negative Battery Wire

The sealed battery on the generator is fully charged and pre-installed except for the negative (black) battery cable.

To install:

1. Cut off tie wrap securing loose end of negative (black) cable.
2. Remove nut and washer on negative battery terminal.
3. Slide negative battery cable over screw on negative terminal (Figure 2).



4. Reattach washer and nut and tighten.
5. Verify that connections to battery and generator are tight and secure.

BEFORE STARTING THE ENGINE

Add Engine Oil and Fuel

- Place generator on a level surface.
- Refer to engine owner's manual and follow oil and fuel recommendations and instructions.

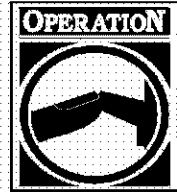
CAUTION

Any attempt to crank or start the engine before it has been properly filled with the recommended oil will result in equipment failure.

- Refer to engine manual for oil and fuel fill information.
- Damage to equipment resulting from failure to follow this instruction will void warranty.

NOTE: Check oil often during engine break-in. Refer to engine owner's manual for recommendations.

NOTE: The generator assembly rotates on a prelubricated and sealed ball bearing that requires no additional lubrication for the life of the bearing.



USING THE GENERATOR

System Ground

The generator has a system ground that connects the generator frame components to the ground terminals on the AC output receptacles. The system ground is connected to the AC neutral wire (see "Equipment Description", earlier in this manual).


Special Requirements

There may be Federal or State Occupational Safety and Health Administration (OSHA) regulations, local codes, or ordinances that apply to the intended use of the generator. Please consult a qualified electrician, electrical inspector, or the local agency having jurisdiction.

- In some areas, generators are required to be registered with local utility companies.
- If the generator is used at a construction site, there may be additional regulations which must be observed.

Connecting to a Building's Electrical System

Connections for standby power to a building's electrical system must be made by a qualified electrician. The connection must isolate the generator power from utility power, and must comply with all applicable laws and electrical codes.

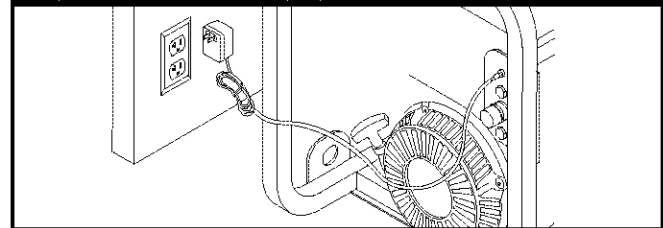
⚠ DANGER	
	<p>Generator produces powerful voltage. Failure to isolate generator from power utility can result in death or injury to electric utility workers due to backfeed of electrical energy.</p>
<ul style="list-style-type: none"> • When using generator for backup power, notify utility company. Use approved transfer equipment to isolate generator from electric utility. • Use a ground fault circuit interrupter (GFCI) in any damp or highly conductive area, such as metal decking or steel work. • DO NOT touch bare wires or receptacles. • DO NOT use generator with electrical cords which are worn, frayed, bare or otherwise damaged. • DO NOT operate generator in the rain. • DO NOT handle generator or electrical cords while standing in water, while barefoot, or while hands or feet are wet. • DO NOT allow unqualified persons or children to operate or service generator. 	

How to Use the Battery Charger

Use battery float charger jack to keep the starting battery charged and ready for use. Battery charging should be done in a dry location, such as inside a garage.

- Plug the charger into the unit's "Battery Float Charger" jack, which is located on the starter switch (Figure 3). Plug battery charger into a 120 Volt AC wall receptacle.

Figure 3 — Battery Charger Jack



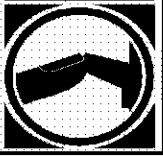
- Unplug the charger from the unit and the wall outlet when generator is being started and while it is in operation.
- Keep this charger plugged in when generator is not in use to prolong battery life. The charger has a built in float equalizer and will not overcharge the battery, even when plugged in for an extended period of time.

IMPORTANT: See "Battery Maintenance" on page 14 for additional information.

OPERATING THE GENERATOR

IMPORTANT: Always unplug the battery float charger before starting the generator.

CAUTION	
<p>Exceeding generators wattage/ampere capacity can damage generator and/or electrical devices connected to it.</p>	
<ul style="list-style-type: none"> • See "Don't Overload Generator" on page 13. • Start generator and let engine stabilize before connecting electrical loads. • Connect electrical loads in OFF position, then turn ON for operation. • Turn electrical loads OFF and disconnect from generator before stopping generator. 	



Starting the Engine

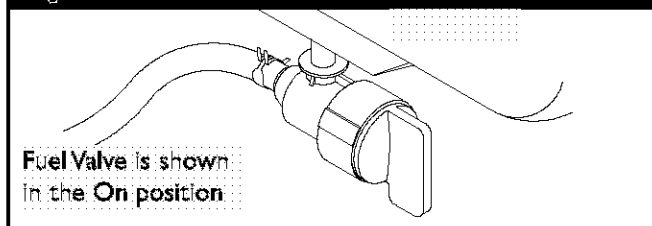
Disconnect all electrical loads from the generator. Use the following start instruction steps by numerical order:

1. Make sure unit is on a level surface.

IMPORTANT: Failure to start and operate unit on a level surface will cause the unit not to start or shut down during operation.

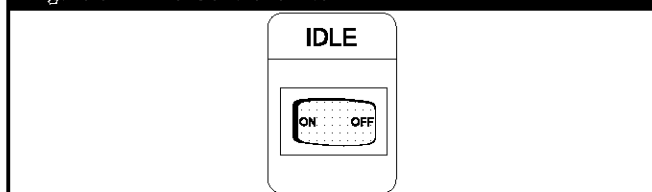
2. Turn the fuel valve to the "On" position (Figure 4). The fuel valve handle should be vertical (pointing toward the ground) for fuel to flow.

Figure 4 — Fuel Valve



3. Make sure the Idle Control switch is in "Off" position (Figure 5).

Figure 5 — Idle Control Switch



4. Start the engine according to instructions given in the engine owner's manual.

NOTE: If engine starts after 3 pulls but fails to run, or if unit shuts down during operation, make sure unit is on a level surface and check for proper oil level in crankcase. This unit may be equipped with a low oil protection device. See engine manual.

Connecting Electrical Loads

- Let engine stabilize and warm up for a few minutes after starting.
- Plug in and turn on the desired 120 and/or 240 Volt AC, single phase, 60 Hz electrical loads.
- **DO NOT** connect 240 Volt loads to the 120 Volt receptacles.
- **DO NOT** connect 3-phase loads to the generator.
- **DO NOT** connect 50 Hz loads to the generator.
- **DO NOT OVERLOAD THE GENERATOR.** See "Don't Overload Generator" on page 13.

Stopping the Engine

1. Unplug all electrical loads from generator panel receptacles. NEVER start or stop engine with electrical devices plugged in and turned on.
2. Put idle control switch in "Off" position.
3. Let engine run at no-load for 30 seconds to stabilize internal temperatures of engine and generator.
4. Turn engine off according to instructions given in engine owner's manual.
5. Move fuel valve to "Off" position.

Operating Automatic Idle Control

This switch is designed to greatly improve fuel economy. **When this switch is turned ON**, the engine will only run at its normal high governed engine speed when an electrical load is connected. When an electrical load is removed, the engine will run at a reduced speed. **With the switch off**, the engine will run at the normal high engine speed. **Always have the switch off when starting and stopping the engine.**

Charging a Battery

Your generator has the capability of recharging a discharged 12 Volt automotive or utility style storage battery. **DO NOT** use the unit to charge any 6 Volt batteries. **DO NOT** use the unit to crank an engine having a discharged battery.

⚠ DANGER



Storage batteries give off explosive hydrogen gas during recharging.

Hydrogen gas stays near battery for a long time after battery has been charged.

Slightest spark will ignite hydrogen and cause explosion.

You can be blinded or severely injured.



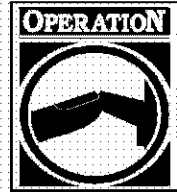
Battery electrolyte fluid contains acid and is extremely caustic.

Contact with battery fluid will cause severe chemical burns.

- **DO NOT** allow any open flame, spark, heat, or lit cigarette during and for several minutes after charging a battery.
- Wear protective goggles, rubber apron, and rubber gloves.

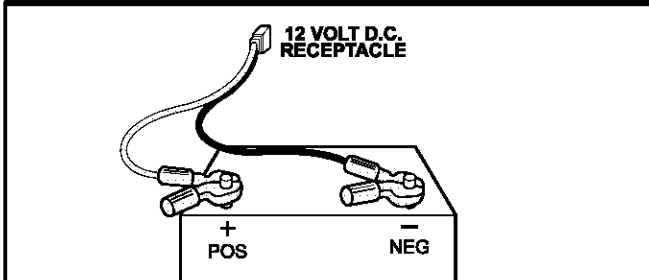
To recharge 12 Volt batteries, proceed as follows:

1. Check fluid level in all battery cells. If necessary, add **ONLY** distilled water to cover separators in battery cells. **DO NOT** use tap water.



2. If battery is equipped with vent caps, make sure they are installed and are tight.
3. If necessary, clean battery terminals.
4. Connect battery charge cable connector plug to panel receptacle identified by the words "12-VOLTS D.C."
5. Connect battery charge cable clamp with red handle to the positive (+) battery terminal (Figure 6).

Figure 6 — Battery Connections



6. Connect battery charge cable clamp with black handle to the negative (-) battery terminal (Figure 6).
7. Start engine. Let engine run while battery recharges.
8. When battery has charged, shut down engine

NOTE: Use an automotive hydrometer to test battery state of charge and condition. Follow the hydrometer manufacturer's instructions carefully. Generally, a battery is considered to be at 100% state of charge when specific gravity of its fluid (as measured by hydrometer) is 1.260 or higher.

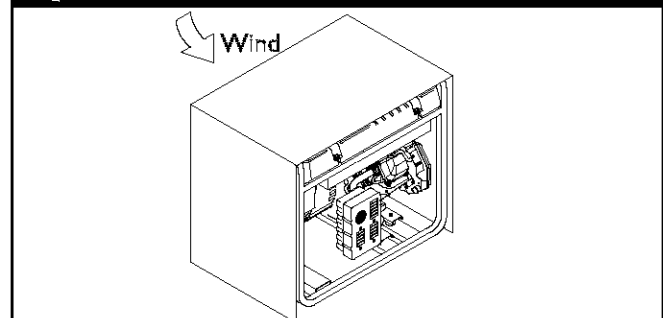
COLD WEATHER OPERATION

Under certain weather conditions (temperatures below 40°F [4°C] and a high dew point), your generator may experience icing of the carburetor and/or the crankcase breather system.

Build a structure that will enclose three sides and the top of the generator.

1. Make sure entire muffler-side of generator is exposed. Note that your generator may appear different from that shown in Figure 7.

Figure 7 — Permanent Cold Weather Shelter



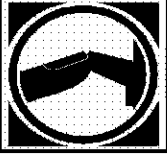
2. Ensure a minimum of two feet clearance between open side of box and nearest object.
3. Face exposed end away from wind and elements.
4. Enclosure should hold enough heat created by generator to prevent problems.

⚠ DANGER



Running generator gives off carbon monoxide, an odorless, colorless, poison gas. Breathing carbon monoxide will cause nausea, fainting or death.

- Operate generator **ONLY** outdoors.
- Keep at least 2 feet of clearance on all sides of generator for adequate ventilation.
- **DO NOT** operate generator inside any building or enclosure, including the generator compartment of a recreational vehicle (RV).
- Remove generator from shelter when temperature is above 40°F [4°C].



RECEPTACLES

CAUTION

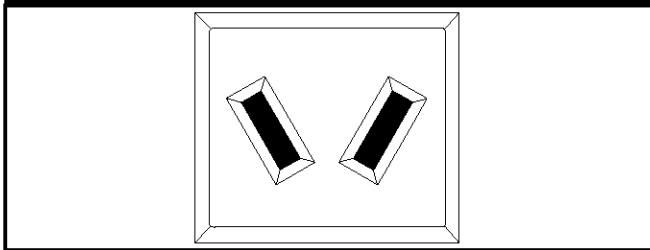
Receptacles may be marked with rating value greater than generator output capacity.

- NEVER attempt to power a device requiring more amperage than generator or receptacle can supply.
- DO NOT overload the generator. See "Don't Overload Generator".

12 Volt DC, 10 Amp Receptacle

This receptacle allows you to recharge a 12 Volt automotive or utility style storage battery with the battery charge cables provided (Figure 8).

Figure 8 — 12 Volt DC, 10 Amp Receptacle

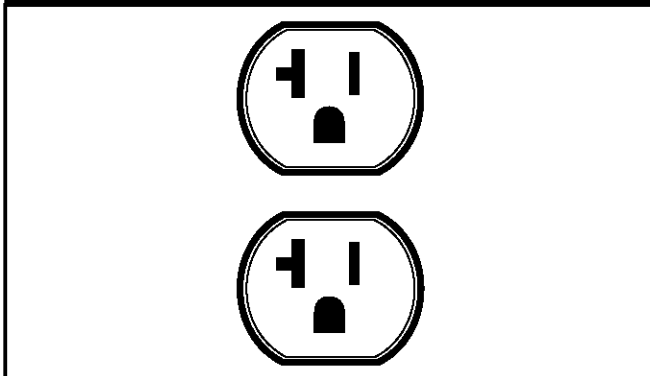


This receptacle can not recharge 6 Volt batteries and can not be used to crank an engine having a discharged battery. See the section "Charging a Battery" (page 9) before attempting to recharge a battery.

120 Volt AC, 20 Amp, Duplex Receptacle

Each receptacle (Figure 9) is protected against overload by a 20 Amp push-to-reset circuit breaker.

Figure 9 — 120 Volt AC, 20 Amp, Duplex Receptacle

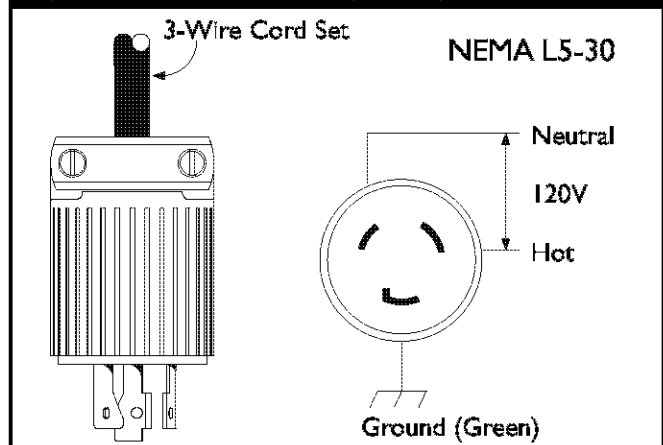


Use each receptacle to operate 120 Volt AC, single-phase, 60 Hz electrical loads requiring up to 2,400 watts (2.4 kW) at 20 Amps of current. Use cord sets that are rated for 125 Volt AC loads at 20 Amps (or greater).

120 Volt AC, 30 Amp Locking Receptacle

Use a NEMA L5-30 plug with this receptacle. Connect a 3-wire cord set rated for 125 Volt AC loads at 30 Amps to the plug (Figure 10).

Figure 10 — 120 Volt AC, 30 Amp, Locking Receptacle

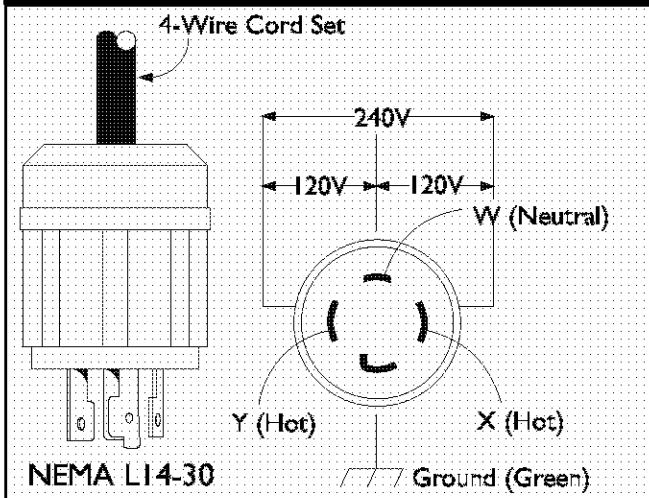


Use this receptacle to operate 120 Volt AC, 60 Hz, single phase loads requiring up to 3,600 watts (3.6 kW) of power at 30 Amps. The outlet is protected by a 30 Amp push-to-reset circuit breaker.

120/240 Volt AC, 30 Amp, Locking Receptacle

Use a NEMA L14-30 plug with this receptacle. Connect a 4-wire cord set rated for 250 Volt AC loads at 30 Amps (or greater) (Figure 11). You can use the same 4-wire cord if you plan to run a 120 Volt load.

Figure 11 — 120/240 Volt AC, 30 Amp Receptacle

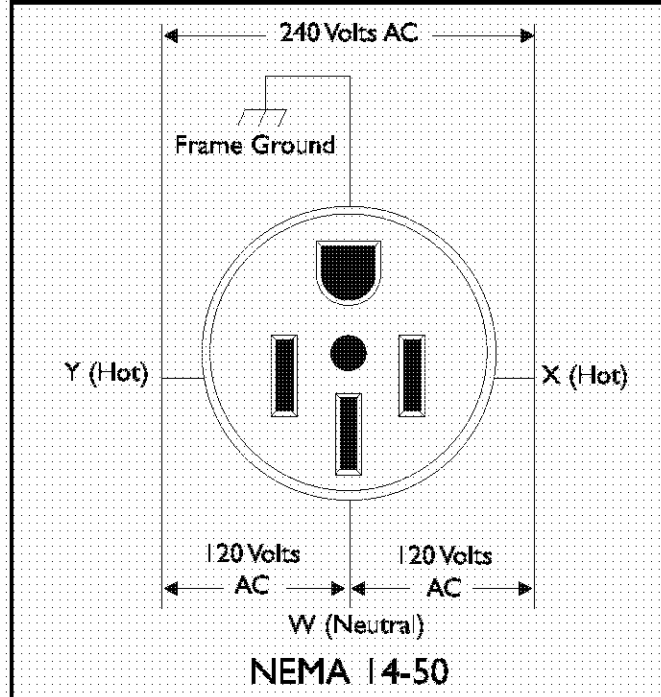


This receptacle powers 120/240 Volt AC, 60 Hz, single phase loads requiring up to 3,600 watts of power at 30 Amps for 120 Volts; 7,200 watts of power (7.2 kW) at 30 Amps for 240 Volts. The outlet is protected by a 30 Amp push-to-reset circuit breaker.

120/240 Volt AC, 50 Amp Receptacle

Use a NEMA 14-50 plug with this receptacle (Figure 12). Connect a 4-wire cord set rated for 250 Volt AC loads at 50 Amps to the plug.

Figure 12 — 120/240 Volt AC, 50 Amp Receptacle



Use this receptacle to operate 120/240 Volt AC, 60 Hz, single phase loads requiring up to 7,500 watts (7.5 kW) of power. The outlet is protected by a 35 Amp push-to-reset circuit breaker.



DON'T OVERLOAD GENERATOR

Capacity

You must make sure your generator can supply enough rated (running) and surge (starting) watts for the items you will power at the same time. Follow these simple steps:

1. Select the items you will power at the same time.
2. Total the rated (running) watts of these items. This is the amount of power your generator must produce to keep your items running. See Figure 13.
3. Estimate how many surge (starting) watts you will need. Surge wattage is the short burst of power needed to start electric motor-driven tools or appliances such as a circular saw or refrigerator. Because not all motors start at the same time, total surge watts can be estimated by adding only the item(s) with the highest additional surge watts to the total rated watts from step 2.

Example:

Tool or Appliance	Rated (Running) Watts	Additional Surge (Starting) Watts
Window Air Conditioner	1200	1800
Refrigerator	800	1600
Deep Freezer	500	500
Television	500	-
Light (75 Watts)	75	-
	3075 Total Running Watts	1800 Highest Surge Watts

Total Rated (Running) Watts = 3075
 Highest Additional Surge Watts = 1800
 Total Generator Output Required = 4875

Power Management

To prolong the life of your generator and attached devices, it is important to take care when adding electrical loads to your generator. There should be nothing connected to the generator outlets before starting its engine. The correct and safe way to manage generator power is to sequentially add loads as follows:

1. With nothing connected to the generator, start the engine as described in this manual.
2. Plug in and turn on the first load, preferably the largest load you have.
3. Permit the generator output to stabilize (engine runs smoothly and attached device operates properly).

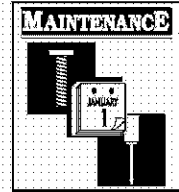
4. Plug in and turn on the next load.
5. Again, permit the generator to stabilize.
6. Repeat steps 4 and 5 for each additional load.

NEVER add more loads than the generator capacity. Take special care to consider surge loads in generator capacity, as described above.

Figure 13 - Wattage Reference Chart

Tool or Appliance	Rated* (Running) Watts	Additional Surge (Starting) Watts
Essentials		
Light Bulb - 75 watt	75	-
Deep Freezer	500	500
Sump Pump	800	1200
Refrigerator/Freezer - 18 Cu. Ft.	800	1600
Water Well Pump - 1/3 HP	1000	2000
Heating/Cooling		
Window AC - 10,000 BTU	1200	1800
Window Fan	300	600
Furnace Fan Blower - 1/2 HP	800	1300
Kitchen		
Microwave Oven - 1000 Watt	1000	-
Coffee Maker	1500	-
Electric Stove - Single Element	1500	-
Hot Plate	2500	-
Family Room		
DVD/CD Player	100	-
VCR	100	-
Stereo Receiver	450	-
Color Television - 27"	500	-
Personal Computer w/17" monitor	800	-
Other		
Security System	180	-
AM/FM Clock Radio	300	-
Garage Door Opener - 1/2 HP	480	520
Electric Water Heater - 40 Gallon	4000	-
DIY/Job Site		
Quartz Halogen Work Light	1000	-
Airless Sprayer - 1/3 HP	600	1200
Reciprocating Saw	960	960
Electric Drill - 1/2 HP	1000	1000
Circular Saw - 7 1/4"	1500	1500
Miter Saw - 10"	1800	1800
Planer/Joiner - 6"	1800	1800
Table Saw/Radial Arm Saw - 10"	2000	2000
Air Compressor - 1-1/2 HP	2500	2500

*Wattages listed are approximate only. Check tool or appliance for actual wattage.



SPECIFICATIONS

Maximum Surge Watts	13,500 watts
Continuous Wattage Capacity	7,500 watts
Power Factor	1.0
Rated Maximum Continuous AC Load Current:	
At 120 Volts	62.5 Amps
At 240 Volts	31.2 Amps
Phase	1-phase
Rated Frequency	60 Hertz
Fuel Tank Capacity	7 U.S. gallons
Shipping Weight	240 lbs.

GENERAL MAINTENANCE RECOMMENDATIONS

The Owner/Operator is responsible for making sure that all periodic maintenance tasks are completed on a timely basis; that all discrepancies are corrected; and that the unit is kept clean and properly stored. **NEVER** operate a damaged or defective generator.

Engine Maintenance

See engine owner's manual for instructions.



CAUTION

Avoid prolonged or repeated skin contact with used motor oil.

- Used motor oil has been shown to cause skin cancer in certain laboratory animals.
- Thoroughly wash exposed areas with soap and water.



KEEP OUT OF REACH OF CHILDREN. DON'T POLLUTE. CONSERVE RESOURCES. RETURN USED OIL TO COLLECTION CENTERS.

Generator Maintenance

Generator maintenance consists of keeping the unit clean and dry. Operate and store the unit in a clean dry environment where it will not be exposed to excessive dust, dirt, moisture or any corrosive vapors. Cooling air slots in the generator must not become clogged with snow, leaves or any other foreign material.

NOTE: DO NOT use a garden hose to clean generator. Water can enter engine fuel system and cause problems. In addition, if water enters generator through cooling air slots, some of the water will be retained in voids and cracks of the rotor and stator winding insulation. Water and dirt buildup on the generator internal windings will eventually decrease the insulation resistance of these windings.

Battery Maintenance

Other than float charging, described elsewhere, no maintenance is required for the battery. Keep the battery and terminals clean and dry.

IMPORTANT: Battery charging should be performed in a dry location, such as inside a garage.

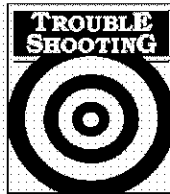
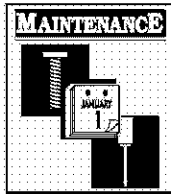
To Clean the Generator

- Use a damp cloth to wipe exterior surfaces clean.

CAUTION

Improper treatment of generator can damage it and shorten its life.

- DO NOT expose generator to excessive moisture, dust, dirt, or corrosive vapors.
- DO NOT insert any objects through cooling slots.
- Use a soft bristle brush to loosen caked on dirt or oil.
- Use a vacuum cleaner to pick up loose dirt.
- Use low pressure air (not to exceed 25 psi) to blow away dirt. Inspect cooling air slots and opening on generator. These openings must be kept clean and unobstructed.



STORAGE

The generator should be started at least once every seven days and allowed to run at least 30 minutes. If this cannot be done and you must store the unit for more than 30 days, use the following guidelines to prepare it for storage.

Generator Storage

- Clean the generator as outlined in "To Clean the Generator."
- Check that cooling air slots and openings on generator are open and unobstructed.



WARNING

Storage covers can be flammable.

- DO NOT place a storage cover over a hot generator.
- Let equipment cool for a sufficient time before placing the cover on the equipment.

Engine Storage

See engine owner's manual for instructions.

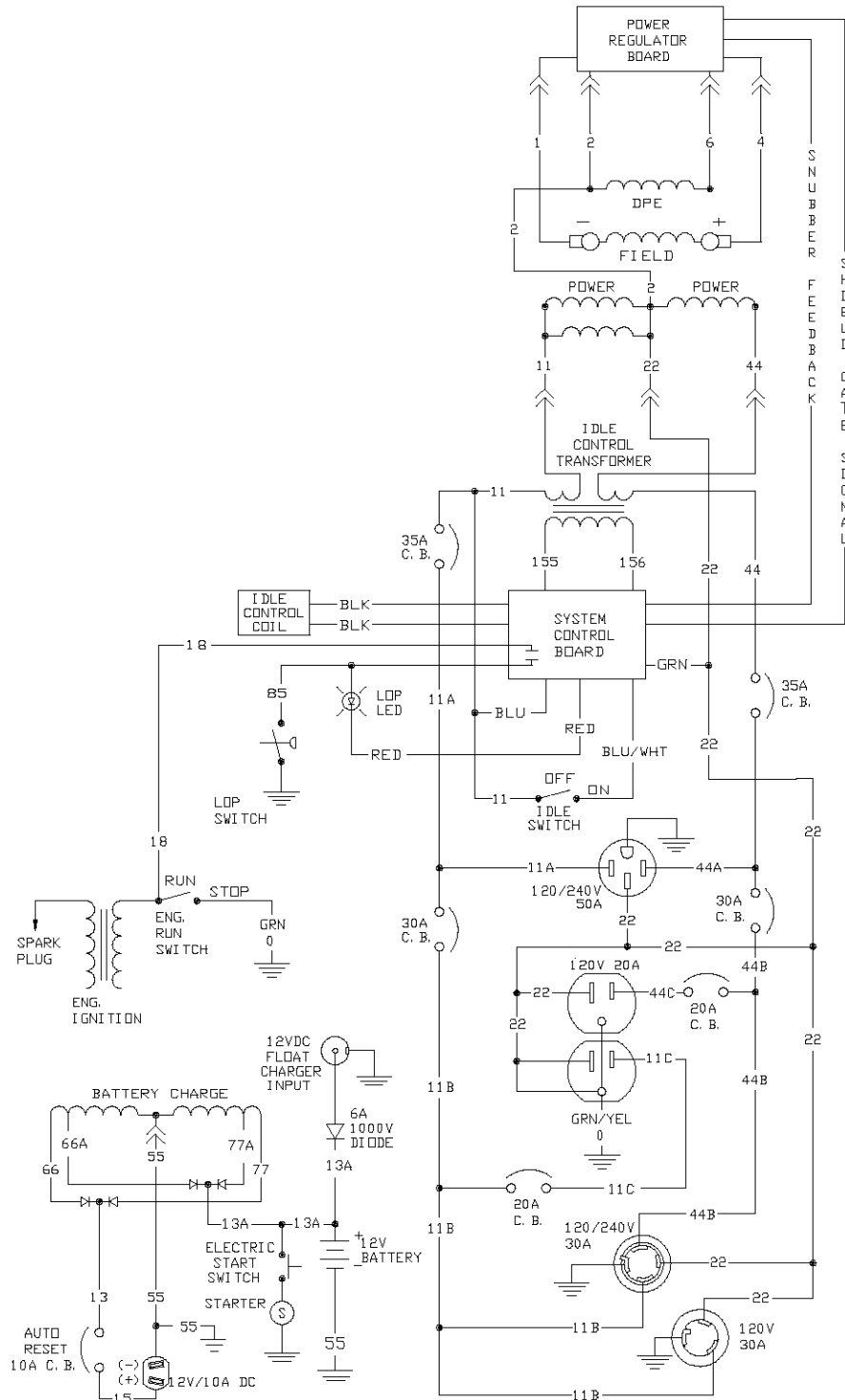
Other Storage Tips

- To prevent gum from forming in fuel system or on essential carburetor parts, add fuel stabilizer into fuel tank and fill with fresh fuel. Run the unit for several minutes to circulate the additive through the carburetor. The unit and fuel can then be stored for up to 24 months. Fuel stabilizer can be purchased locally.
- DO NOT store fuel from one season to another unless it has been treated as described above.
- Replace fuel container if it starts to rust. Rust and/or dirt in fuel can cause problems if it's used with this unit.
- Store unit in a clean and dry area.

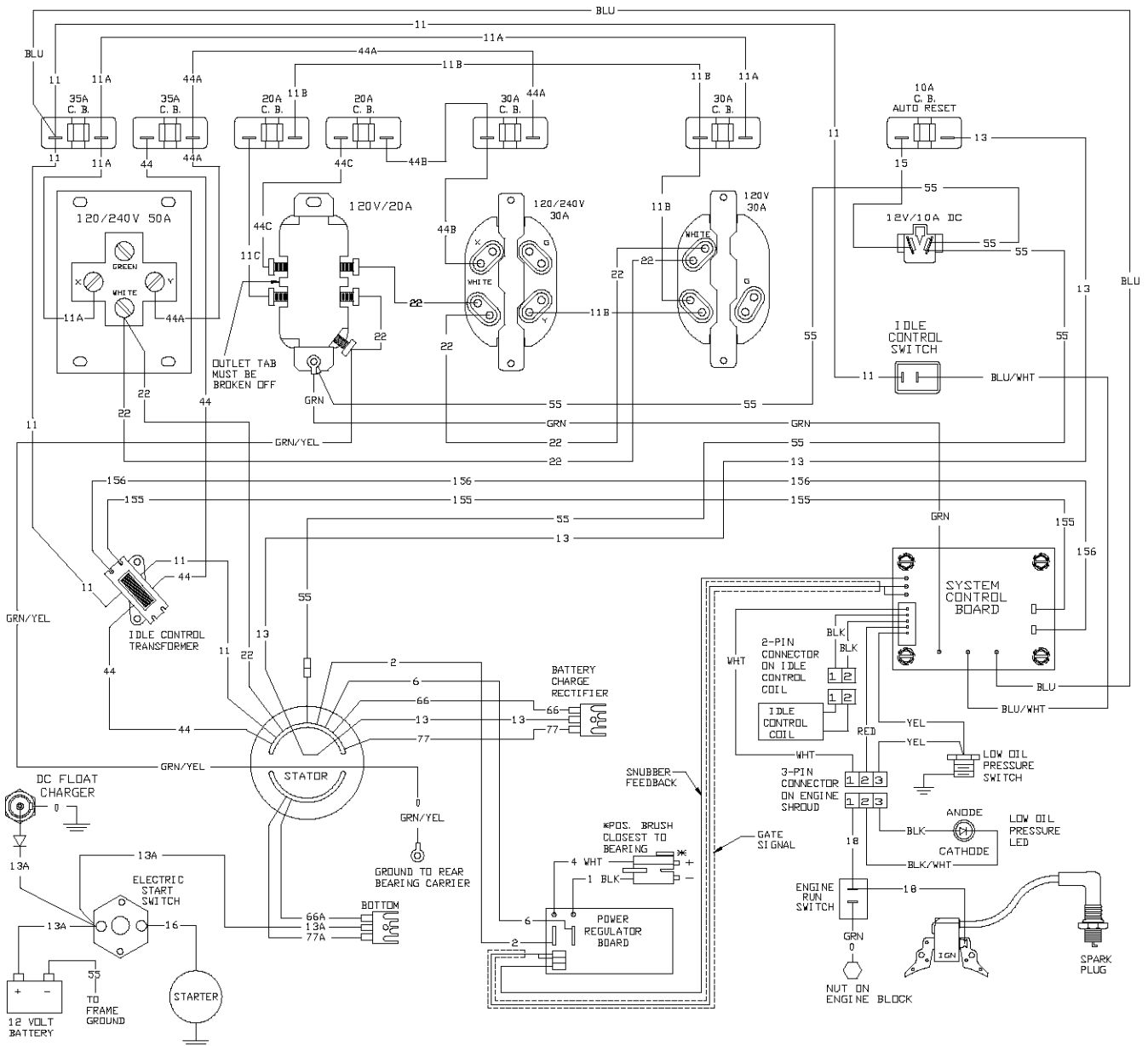
TROUBLESHOOTING

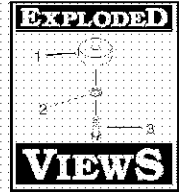
Problem	Cause	Correction
No AC output is available, but engine is running.	<ol style="list-style-type: none"> 1. One of the circuit breakers is open. 2. Fault in generator. 3. Poor connection or defective cord set. 4. Connected device is bad. 	<ol style="list-style-type: none"> 1. Reset circuit breaker. 2. Contact Generac service facility. 3. Check and repair. 4. Connect another device that is in good condition.
Engine runs good at no-load but "bogs" down when loads are connected.	<ol style="list-style-type: none"> 1. Short circuit in a connected load. 2. Generator is overloaded. 3. Shorted generator circuit. 	<ol style="list-style-type: none"> 1. Disconnect shorted electrical load. 2. See "Don't Overload Generator". 3. Contact Generac service facility.
Engine will not start, or starts and runs rough.	<ol style="list-style-type: none"> 1. Fuel Valve is in the "Off" position. 2. Failed battery. 	<ol style="list-style-type: none"> 1. Turn fuel valve to "On" position. 2. Replace battery.
Engine shuts down during operation.	Out of gasoline.	Fill fuel tank.
Engine lacks power.	Load is too high.	See "Don't Overload Generator".

SCHEMATIC

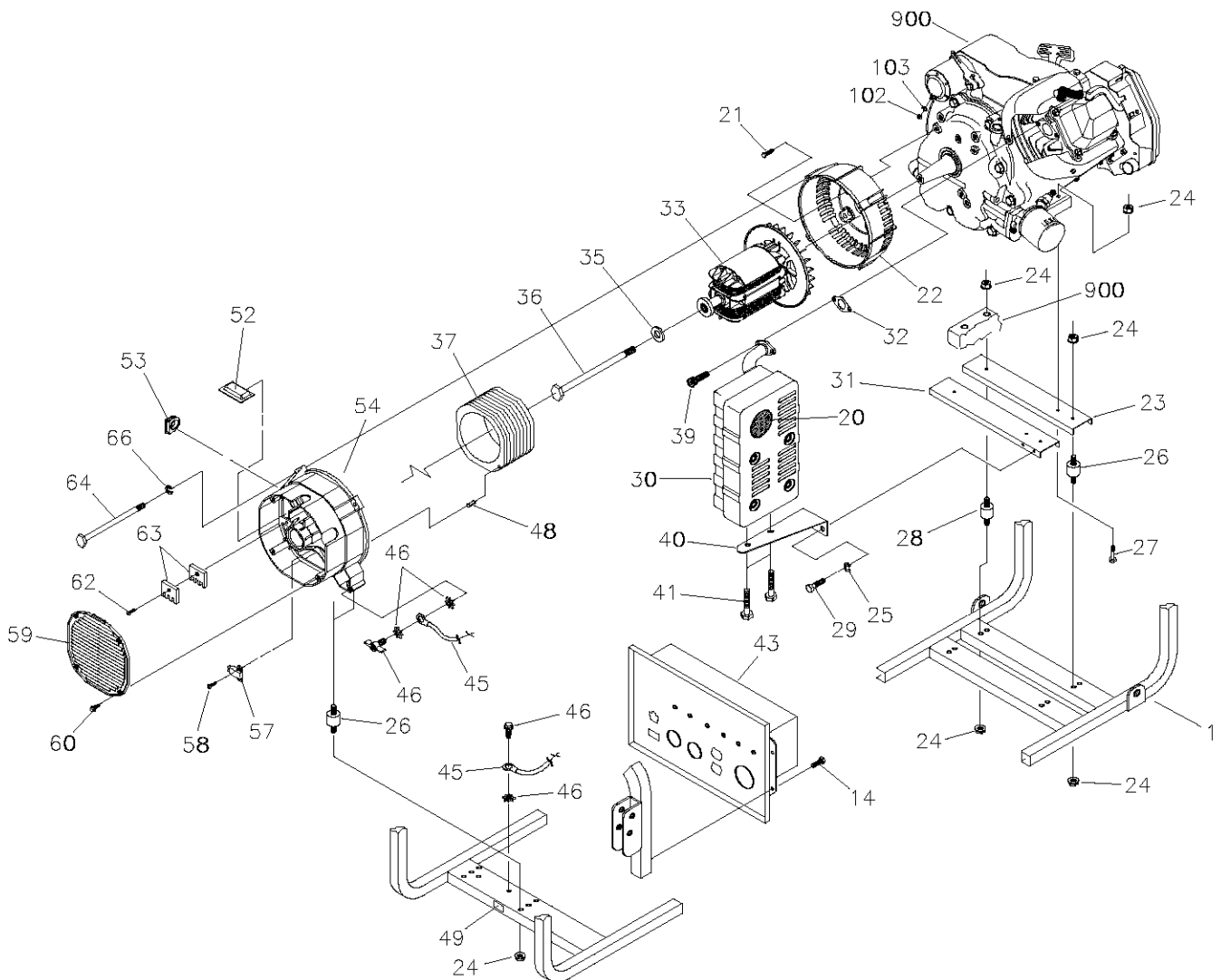


WIRING DIAGRAM



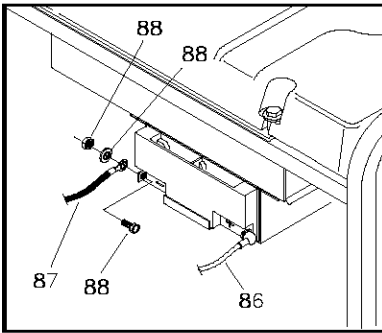


EXPLODED VIEW – ALTERNATOR

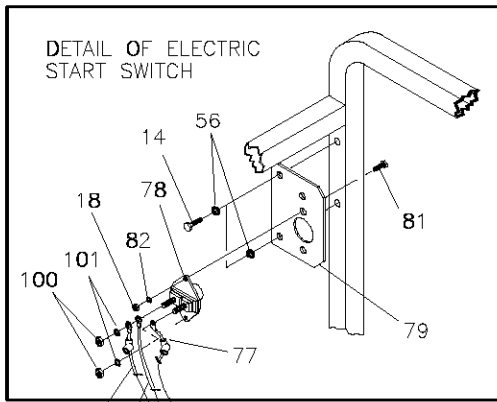


EXPLODED VIEW – FRAME

DETAIL OF BATTERY TRAY

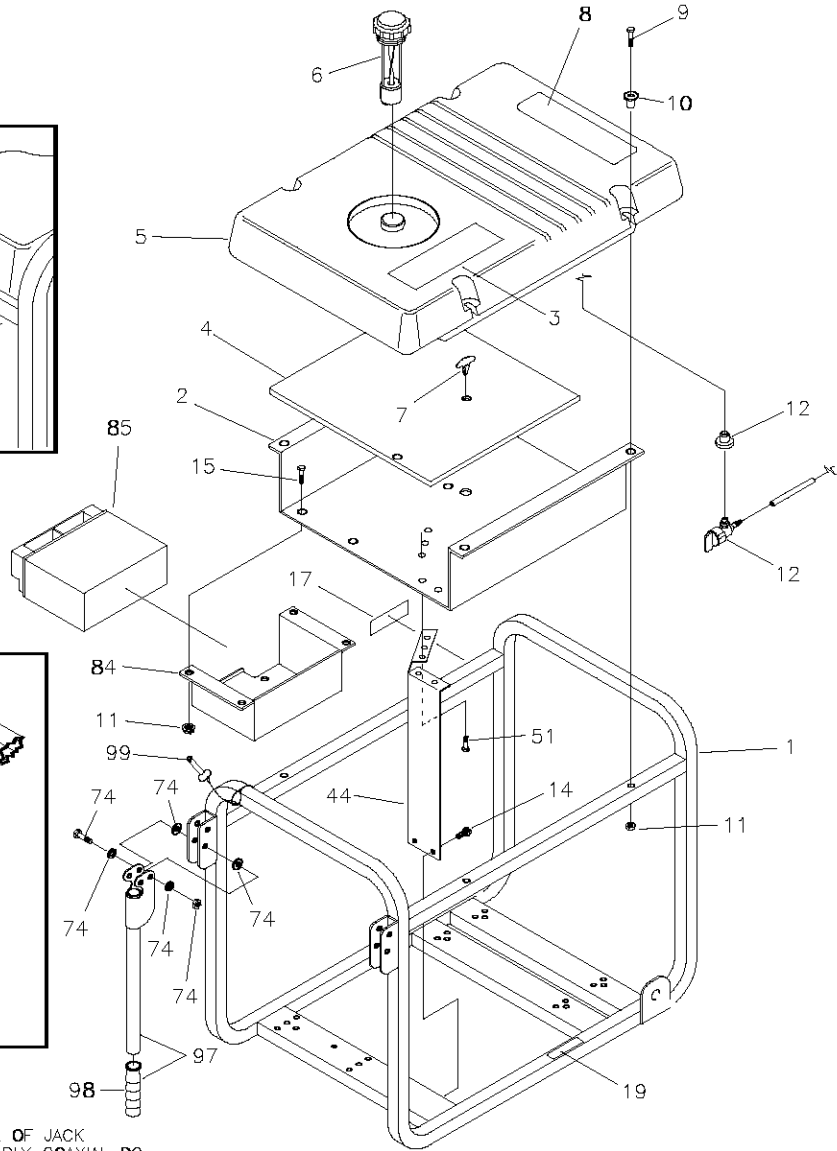
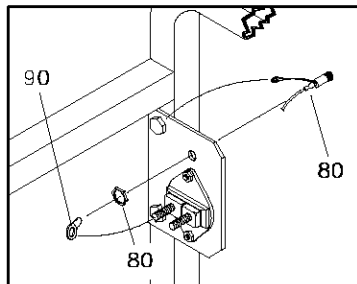


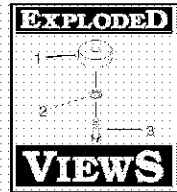
DETAIL OF ELECTRIC START SWITCH



TO + TERMINAL ON BATTERY

DETAIL OF JACK ASSEMBLY COAXIAL DC





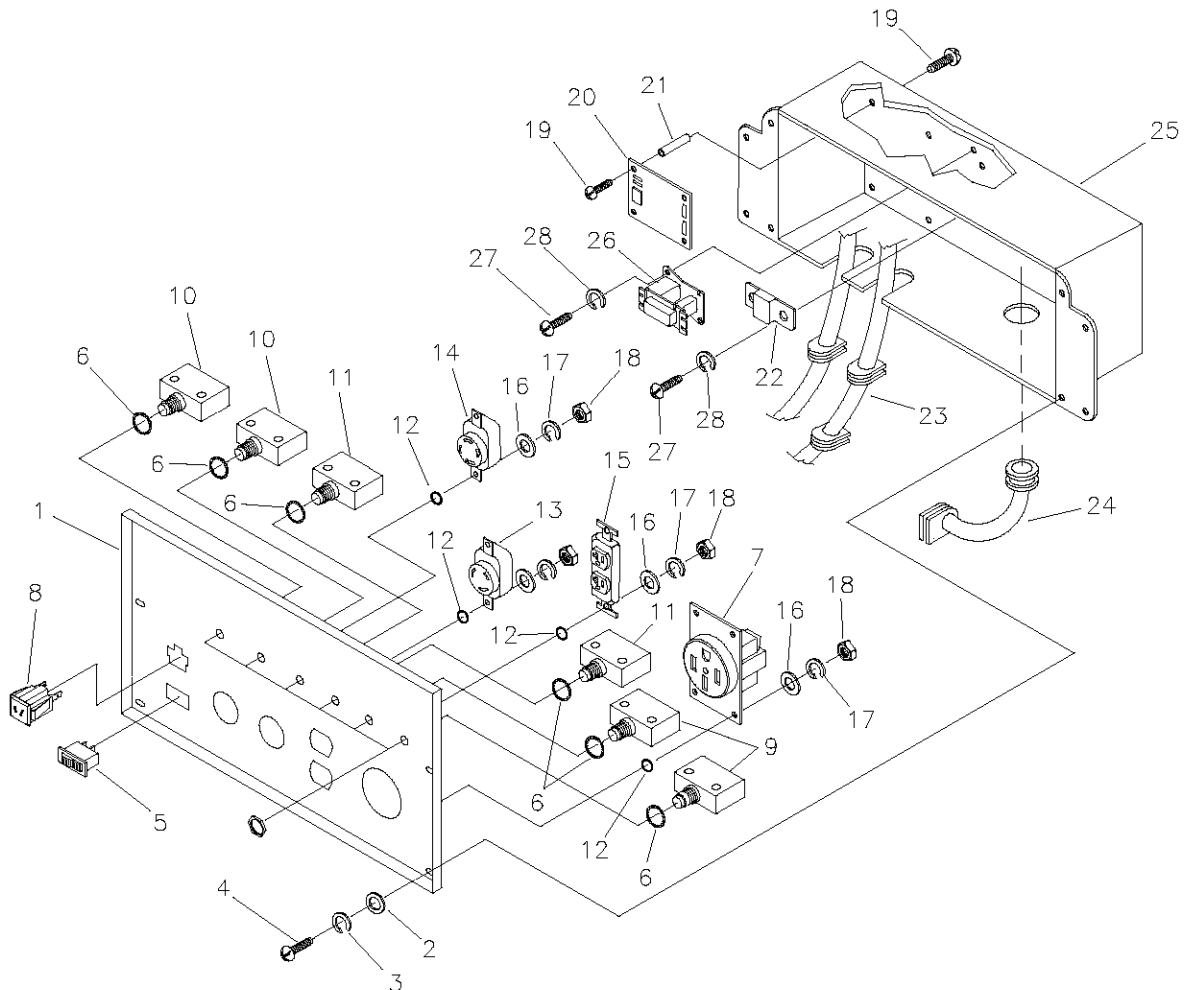
PARTS LIST – ALTERNATOR & FRAME

Item	Part #	Description	Item	Part #	Description
1	B187024GS	CRADLE	57	66386GS	ASSY, Brush Holder
2	194389GS	SHIELD, Heat Tank	58	66849GS	SCREW
3	92982GS	DECAL, Danger	59	B4871GS	COVER, Bearing Carrier
4	92665GS	INSULATION	60	74908GS	SCREW
5	193823GS	ASSY, Tank, Fuel	62	66849CGS	SCREW
6	B4363GS	CAP, with Gauge, Fuel	63	65795GS	RECTIFIER, Battery Charge
7	85000GS	CLIP, Insulation	64	66449LGS	BOLT, Stator
8	93826GS	DECAL, Start Instructions	66	22097GS	WASHER, Lock
9	78831BGS	SCREW	74	194034GS	KIT, Fold Down Handle Hardware
10	83465GS	GROMMET, Tank	77	189302BGS	ASSY, Wire
11	77395GS	NUT, Lock	78	77282GS	SWITCH, Starter
12	192980GS	KIT, Valve Tank	79	188987GS	BRACKET, Switch
14	B2153GS	SCREW	80	188989GS	ASSY, Jack, DC
15	43116GS	SCREW	81	22287GS	SCREW
17	73054GS	DECAL, Fuel Shut-Off	82	22097GS	WASHER, Lock
18	22127GS	NUT	83	96113GS	ASSY, Wire
19	77816GS	DECAL, Hot Muffler	84	192985GS	TRAY, Battery
20	83083GS	SCREEN, Spark Arrestor	85	B4489GS	BATTERY
21	86307GS	SCREW	86	189302CGS	ASSY, Wire
22	92247GS	HOUSING, Engine Adapter	87	185939HGS	ASSY, Wire
23	M92531GS	SUPPORT, Engine	88	193347GS	KIT, Battery Hardware
24	189160GS	NUT	90	58359GS	LUG
25	22129GS	WASHER, Lock	97	B193200GS	ASSY, Handle with Grip
26	82857GS	MOUNT, Vibration	98	189718GS	GRIP
27	22531GS	SCREW	99	B4135GS	PIN, with Lanyard
28	92609GS	MOUNT, Vibration	100	22259GS	NUT
29	22142GS	SCREW	101	22129GS	WASHER, Lock
30	A7433GS	MUFFLER	102	49813GS	NUT
31	B92731GS	SUPPORT, Engine & Muffler	103	22125GS	WASHER, Lock
32	90239GS	GASKET, Muffler	900	NSP	ENGINE
33	B1342GS	ASSY, Rotor			
35	96796GS	WASHER			
36	47481GS	SCREW			
37	B1897AGS	ASSY, Stator			
39	40976GS	SCREW			
40	92532GS	BRACKET, Muffler			
41	66476GS	SCREW			
43	B4366GS	ASSY, Control Panel (see page 21)			
44	194390GS	SHIELD, Heat			
45	14353621GS	WIRE, Ground			
46	193646GS	KIT, Grounding Hardware			
48	81917GS	PIN, Roll			
49	B4986GS	DECAL, Ground			
51	56893GS	SCREW			
52	84132GS	ASSY, Power Regulator			
53	67022GS	GROMMET, Rubber			
54	SRV66825DGS	CARRIER, Rear Bearing			
56	23762GS	WASHER			

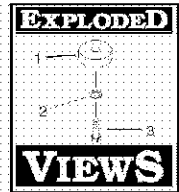
Parts Not Illustrated	
BB3061GS	BOTTLE, Oil
B4767GS	COVER, Storage
72347GS	PLUG, Spark
189713GS	MANUAL, Owner's
73111GS	FILTER, Air
84882GS	WRENCH, Spark Plug
43438GS	PLUG, 120/240V, 30A, 4p
70185GS	FILTER, Oil
A8927GS	MANUAL, Engine
B4177GS	CHARGER, Battery Float
65787GS	CABLE, Battery Charge
37806GS	PLUG, 120V, 30A
194033GS	KIT, Decals

Optional Accessories Not Included:	
84883GS	Cord Wrap

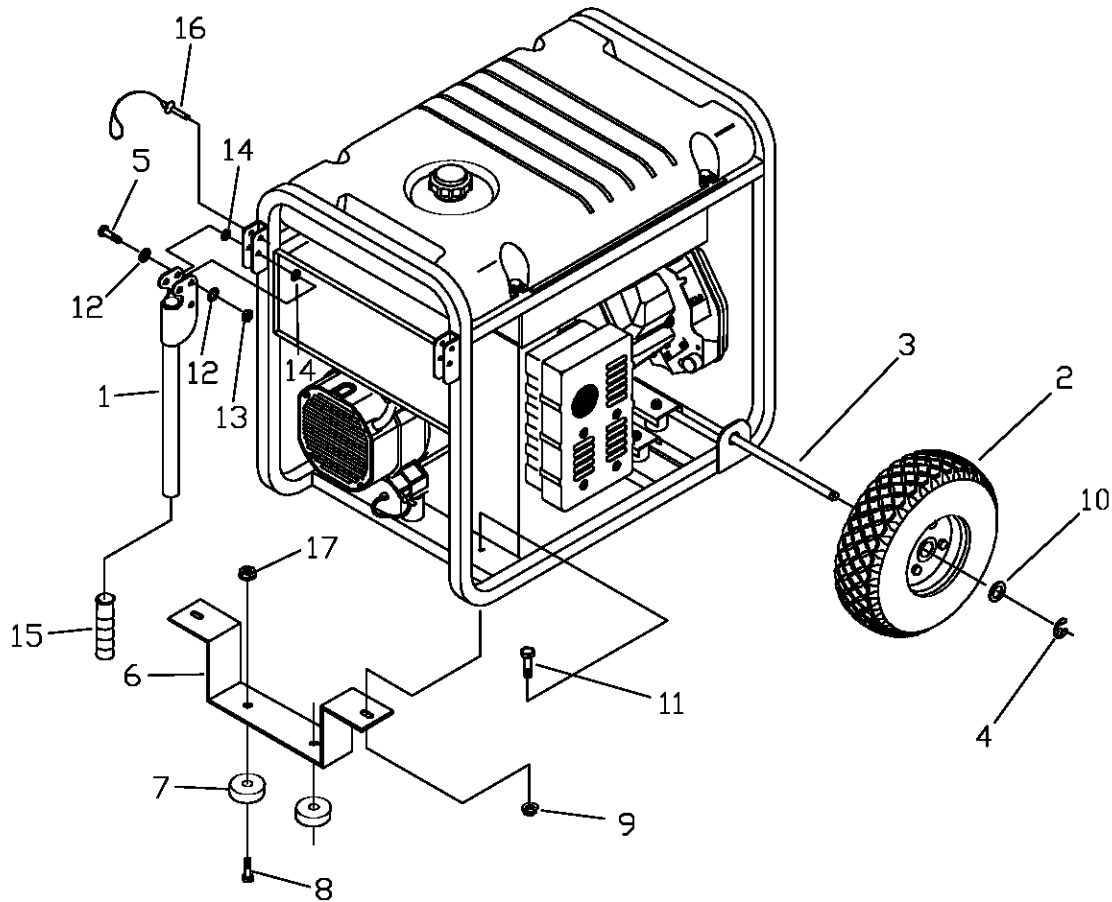
EXPLODED VIEW AND PARTS LIST – CONTROL PANEL



Item	Part #	Description	Item	Part #	Description
1	BB4461GS	PANEL, Control	15	68759GS	OUTLET, 20A, 120V
2	23897GS	WASHER	16	43180GS	WASHER
3	49226GS	WASHER, Lock	17	22264GS	WASHER, Lock
4	91526GS	SCREW	18	51715GS	NUT
5	82538GS	SWITCH, Idle Control	19	64526GS	SCREW
6	82881GS	WASHER, Lock	20	83970GS	BOARD, System Control
7	B4262GS	OUTLET, 50A, 240V	21	64525GS	STANDOFF, Hex
8	90418GS	OUTLET, 10A, 12VDC	22	87962GS	BREAKER, Circuit, 10A (auto), 12V
9	75207NGS	BREAKER, Circuit	23	84335GS	ASSY, Wire Harness
10	75207AGS	BREAKER, Circuit	24	84134GS	GROMMET, Rubber Connector
11	75207GS	BREAKER, Circuit	25	B92069GS	BOX, Control Panel
12	23365GS	WASHER	26	84028GS	TRANSFORMER, Idle Control
13	68868GS	OUTLET, 30A, 120V Locking	27	43181GS	SCREW
14	43437GS	OUTLET, 30A, 120V/240V Locking	28	43182GS	WASHER, Lock



EXPLODED VIEW AND PARTS LIST – WHEEL KIT



Item	Part #	Description
1	B193200GS	HANDLE (Includes Item 15)
2	B4966GS	WHEEL
3	I91267GGS	AXLE
4	I91265GS	E-RING
5	39287GS	SCREW
6	B186927GS	LEG, Support
7	I91413GS	VIBE MOUNT, with Washer
8	22413GS	SCREW
9	52858GS	NUT, Lock
10	22247GS	WASHER
11	39253GS	SCREW
12	22145GS	WASHER
13	49820GS	NUT, Nyllok
14	I87104GS	WASHER, Nylon
15	I89718GS	GRIP
16	B4135GS	PIN, with Lanyard
17	I92432GS	NUT, Lock

NOTES



NOTES

LIMITED WARRANTY

"Generac Portable Products is a licensed trademark of Briggs & Stratton Power Products. Briggs & Stratton Power Products will repair or replace, free of charge, any part, or parts of the equipment** that are defective in material or workmanship or both. Transportation charges on parts submitted for repair or replacement under this warranty must be borne by purchaser. This warranty is effective for the time periods and subject to the conditions provided for in this policy. For warranty service, find your nearest Authorized service dealer by calling 1-800-270-1408. Warranty service may only be performed by a Briggs & Stratton Power Products Authorized service dealer.

THERE IS NO OTHER EXPRESS WARRANTY. IMPLIED WARRANTIES, INCLUDING THOSE OF MERCHANTABILITY AND FITNESS FOR A PARTICULAR PURPOSE, ARE LIMITED TO THE TIME PERIOD SPECIFIED, OR TO THE EXTENT PERMITTED BY LAW. ANY AND ALL IMPLIED WARRANTIES ARE EXCLUDED. LIABILITY FOR CONSEQUENTIAL DAMAGES UNDER ANY AND ALL WARRANTIES ARE EXCLUDED TO THE EXTENT EXCLUSION IS PERMITTED BY LAW. Some countries or states do not allow limitations on how long an implied warranty lasts, and some countries or states do not allow the exclusion or limitation of incidental or consequential damages, so the above limitation and exclusion may not apply to you. This warranty gives you specific legal rights and you may also have other rights that vary from country to country or state to state."

WARRANTY PERIOD*

Equipment **	Consumer Use	Commercial Use
Pressure Washer	1 Year	90 Days
Portable Generator	2 Years (2nd year parts only)	1 Year

*The warranty period begins on the date of purchase by the first retail consumer or commercial end user, and continues for the period of time stated in the table above. "Consumer use" means personal residential household use by a retail consumer. "Commercial use" means all other uses, including use for commercial, income producing or rental purposes. Once equipment has been used commercially, it shall thereafter be considered to be in commercial use for purposes of this warranty.

**The engine and starting batteries are warranted solely by the manufacturers of those products.

WARRANTY REGISTRATION IS NOT NECESSARY TO OBTAIN WARRANTY ON BRIGGS & STRATTON POWER PRODUCTS EQUIPMENT. SAVE YOUR PROOF OF PURCHASE RECEIPT. IF YOU DO NOT PROVIDE PROOF OF THE INITIAL PURCHASE DATE AT THE TIME WARRANTY SERVICE IS REQUESTED, THE MANUFACTURING DATE OF THE EQUIPMENT WILL BE USED TO DETERMINE THE WARRANTY PERIOD.

About your equipment warranty:

We welcome warranty repair and apologize to you for being inconvenienced. Any Authorized service dealer may perform warranty repairs. Most warranty repairs are handled routinely, but sometimes requests for warranty service may not be appropriate. For example, warranty service would not apply if equipment damage occurred because of misuse, lack of routine maintenance, shipping, handling, warehousing or improper installation. Similarly, the warranty is void if the manufacturing date or the serial number on the equipment has been removed or the equipment has been altered or modified. During the warranty period, the Authorized service dealer, at its option, will repair or replace any part that, upon examination, is found to be defective under normal use and service. This warranty will not cover following repairs and equipment:

- **Normal Wear:** Outdoor power equipment, like all mechanical devices, needs periodic parts, service and replacement to perform well. This warranty does not cover repair when normal use has exhausted the life of a part or the equipment.
- **Installation and Maintenance:** This warranty does not apply to equipment or parts that have been subjected to improper or unauthorized installation or alteration and modification, misuse, negligence, accident, overloading, overspeeding, improper maintenance, repair or storage so as, in our judgment, to adversely affect its performance and reliability. This warranty also does not cover normal maintenance such as adjustments, fuel system cleaning and obstruction (due to chemical, dirt, carbon or lime, etc.).
- **Other Exclusions:** Also excluded from this warranty are wear items such as quick couplers, oil gauges, belts, o-rings, filters, pump packing, etc., pumps which have been run without water supplied or damage or malfunctions resulting from accidents, abuse, modifications, alterations, or improper servicing or freezing or chemical deterioration. Accessory parts such as guns, hoses, wands and nozzles are excluded from the product warranty. Also excluded is used, reconditioned, and demonstration equipment; equipment used for prime power in place of utility power and equipment used in life support applications.

**BRIGGS & STRATTON POWER PRODUCTS GROUP, LLC
JEFFERSON, WISCONSIN, U.S.A.**

Free Manuals Download Website

<http://myh66.com>

<http://usermanuals.us>

<http://www.somanuals.com>

<http://www.4manuals.cc>

<http://www.manual-lib.com>

<http://www.404manual.com>

<http://www.luxmanual.com>

<http://aubethermostatmanual.com>

Golf course search by state

<http://golfingnear.com>

Email search by domain

<http://emailbydomain.com>

Auto manuals search

<http://auto.somanuals.com>

TV manuals search

<http://tv.somanuals.com>