

Model: 15113410300
Type: SG050
Engine: G6.8.1

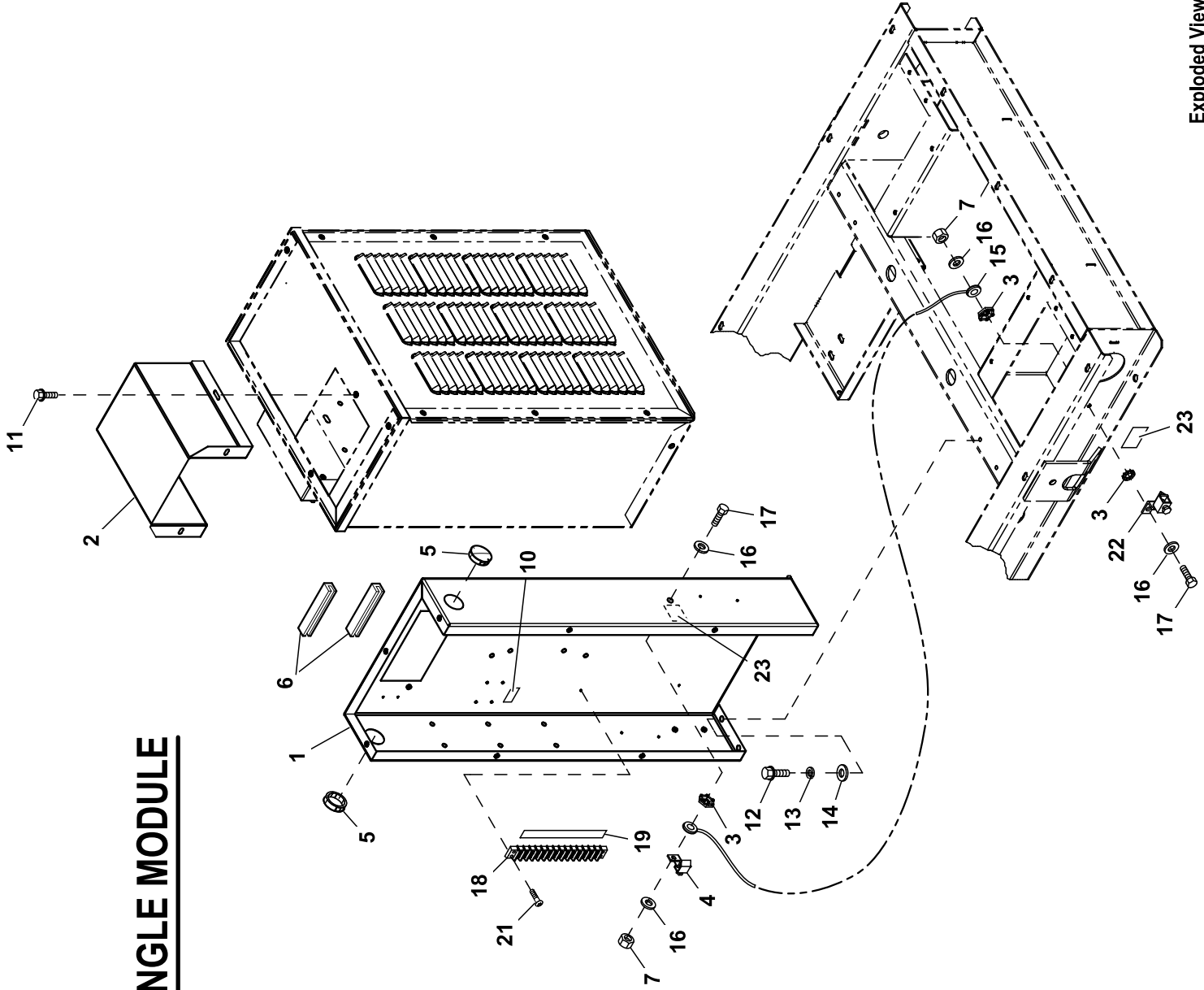
Owner's Manual

Stationary Standby/Emergency Generator
Industrial Standalone Gas or Diesel

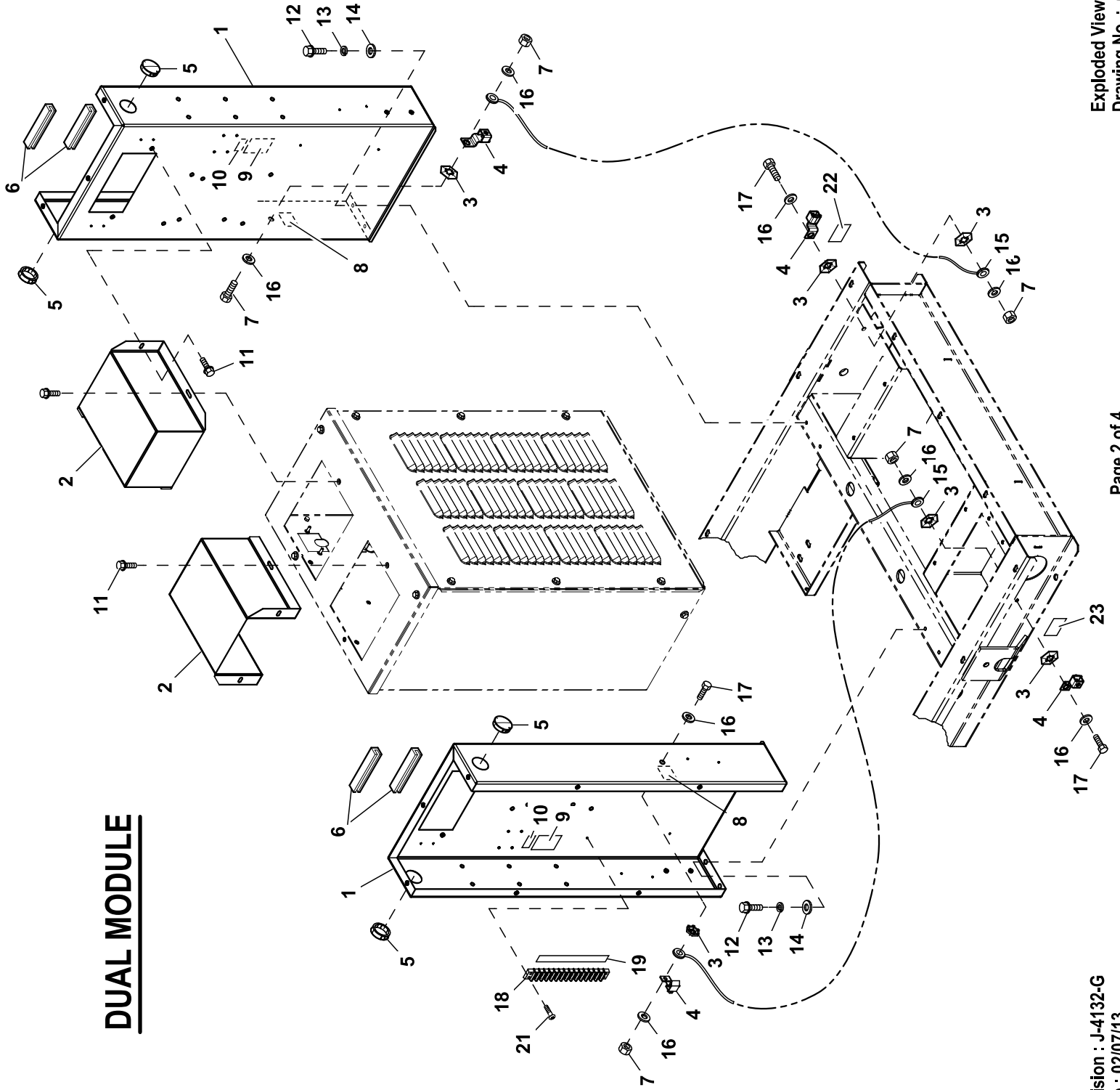


This manual should remain with the unit.

SINGLE MODULE



DUAL MODULE



EXPLODED VIEW: EV CONBOX 390 MODULE

DRAWING #: 0J1339

GROUP A

APPLICABLE TO:

| ITEM | PART# | QTY. | DESCRIPTION |
|-------------|-------------|------|---------------------------------|
| (1)1 | 0H95790ST0R | 1 | MD1 / MD2 CB MODULE 390 ALT |
| (1)2 | 0J17560ST0R | 1 | WIRE TUNNEL, MD1-2 390 ALT |
| 3 | 0A4456 | 3 | WASHER LOCK SPECIAL 3/8 |
| 4 | 061383 | 1 | LUG SLDLSS 3/0-#4 X 13/32 CU |
| 5 | 0E1534A | 2 | PLUG PLASTIC 1.50" |
| 6 | 056326 | 2 | TRIM VINYL BLACK 1/8GP (7.1"LG) |
| 7 | 045772 | 1 | NUT HEX M10-1.5 G8 YEL CHR |
| 10 | 0A9457A | 1 | DECAL NEUTRAL |
| 11 | 0C2454 | 4 | SCREW HWHT M6-1 X 16 N WA Z/JS |
| 12 | 024526 | 4 | SCREW HHTT 5/16-18 X 3/4 CZ |
| 13 | 022129 | 4 | WASHER LOCK M8-5/16 |
| 14 | 022145 | 4 | WASHER FLAT 5/16-M8 ZINC |
| 15 | 0441140781 | 1 | WIRE ASM, GND 2/0 WIRE 3/8 LUG |
| 16 | 022131 | 4 | WASHER FLAT 3/8-M10 ZINC |
| 17 | 049541 | 2 | SCREW HHC M10-1.5 X 35 C8.8 |
| (4)(3)(2)18 | 0J0455 | REF | BLOCK, TERM 14 POS X 8 X 1600V |
| (4)(3)(2)19 | 0J9078 | REF | DECAL TB4 HV CUSTOMER CONN |
| (4)(3)(2)21 | 0J5462 | REF | SCREW THTT M4-0.7 X 16 ZP |
| 22 | 061383 | 1 | LUG SLDLSS 3/0-#4 X 13/32 CU |
| 23 | 0G8785A | 2 | DECAL GROUNDING ELECTRODE |
| DUAL MODULE | | | |
| (1)1 | 0H95790ST0R | 2 | MD1 / MD2 CB MODULE 390 ALT |
| (1)2 | 0J17560ST0R | 2 | WIRE TUNNEL, MD1-2 390 ALT |
| 3 | 0A4456 | 6 | WASHER LOCK SPECIAL 3/8 |
| 4 | 061383 | 4 | LUG SLDLSS 3/0-#4 X 13/32 CU |
| 5 | 0E1534A | 4 | PLUG PLASTIC 1.50" |
| 6 | 056326 | 4 | TRIM VINYL BLACK 1/8GP (7.1"LG) |
| 7 | 045772 | 2 | NUT HEX M10-1.5 G8 YEL CHR |
| 8 | 067210A | 2 | DECAL GROUND LUG |
| 9 | 0H8006 | 2 | DECAL CAUTION ELEC SHOCK SM |
| 10 | 0A9457 | 2 | DECAL NEUTRAL |
| 11 | 0C2454 | 8 | SCREW HWHT M6-1 X 16 N WA Z/JS |
| 12 | 024526 | 8 | SCREW HHTT 5/16-18 X 3/4 CZ |
| 13 | 022129 | 8 | WASHER LOCK M8-5/16 |
| 14 | 022145 | 8 | WASHER FLAT 5/16-M8 ZINC |
| 15 | 0441140781 | 2 | WIRE ASM, GND 2/0 WIRE 3/8 LUG |
| 16 | 022131 | 8 | WASHER FLAT 3/8-M10 ZINC |
| 17 | 049541 | 4 | SCREW HHC M10-1.5 X 35 C8.8 |
| (4)(3)(2)18 | 0J0455 | REF | BLOCK, TERM 14 POS X 8 X 1600V |
| (4)(3)(2)19 | 0J9078 | REF | DECAL, TB4 HV CUSTOMER CONN |
| (4)(3)(2)21 | 0J5462 | REF | SCREW THTT M4-0.7 X 16 ZP |
| 22 | 067210A | 2 | DECAL GROUND LUG |

NOTES (UNLESS OTHERWISE SPECIFIED):

- (1) SHEET METAL PARTS LISTED IN THE BOM TABLE ARE REPRESENTING GENERIC PARTS (NO COLOR)
 - MANUFACTURING: FOR CORRECT MATERIAL AND COLOR REFER TO AS400 BOM.
 - CUSTOMER: WHEN ORDERING REPLACEMENT PARTS ENTER BASE NUMBER (FIRST 6 DIGITS ONLY) IN THE SYSTEM FOR CORRECT MATERIAL AND COLOR (FOR REFERENCE SEE GUIDELINE 0H7169).
- (2) WILL BE INSTALLED ON PRIMARY CB MODULES ONLY. NOT REQUIRED WITH LOAD CENTER.
- (3) NOT REQUIRED IF EQUIPPED WITH LOAD CENTER.
- (4) NOT REQUIRED IF EQUIPPED WITH 0J1594, KIT BATTERY CHARGER POWER CORD.

EXPLODED VIEW: EV CONBOX 390 MODULE

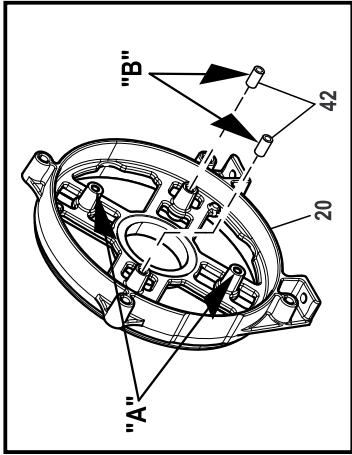
DRAWING #: 0J1339

APPLICABLE TO:

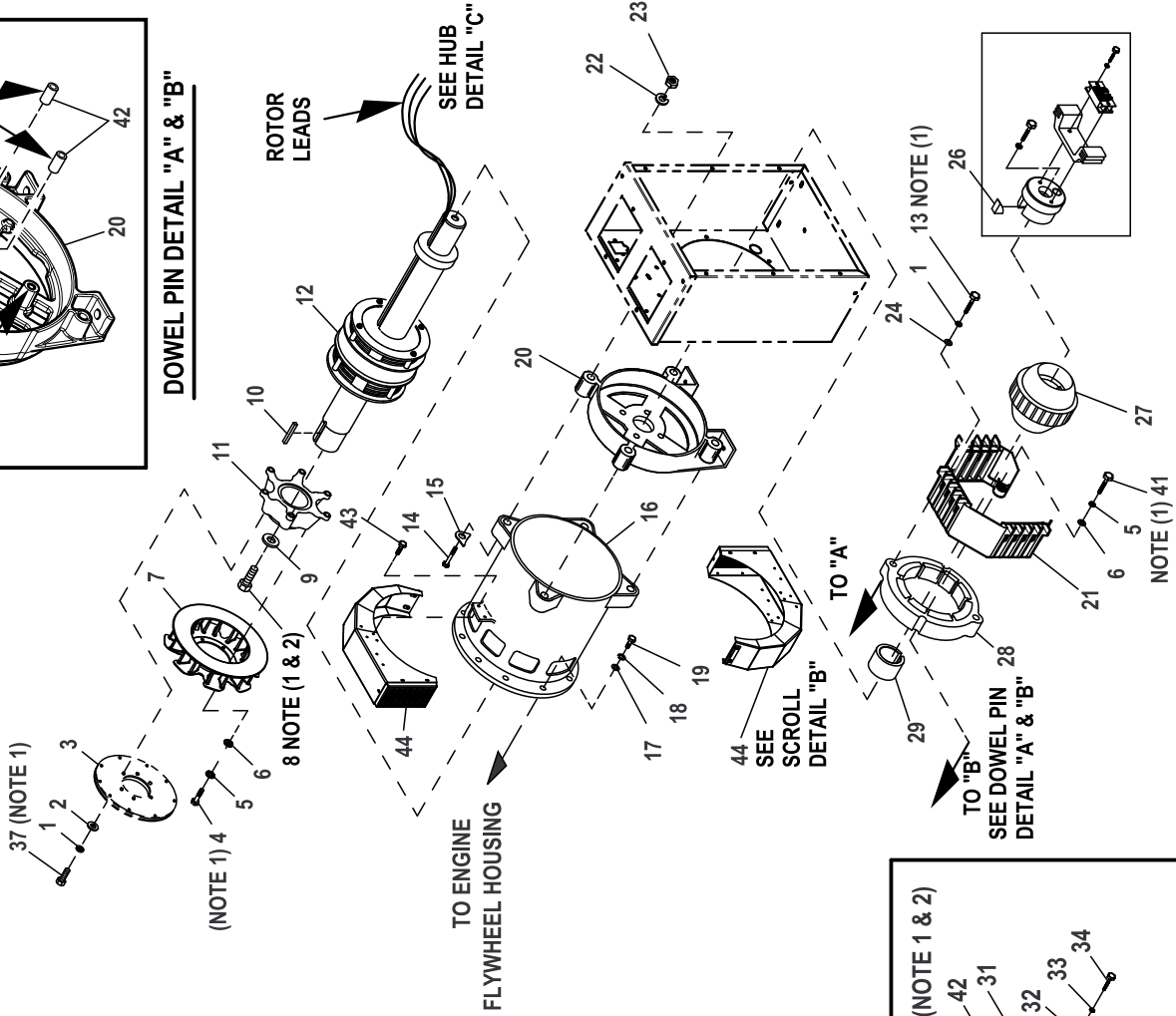
GROUP A

This page left blank intentionally

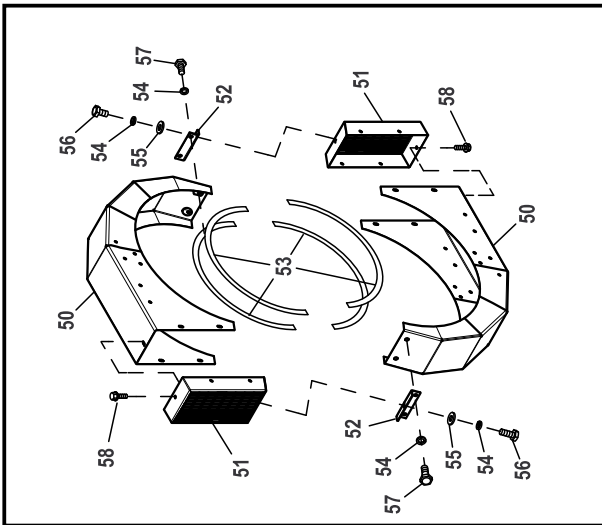
GROUP A



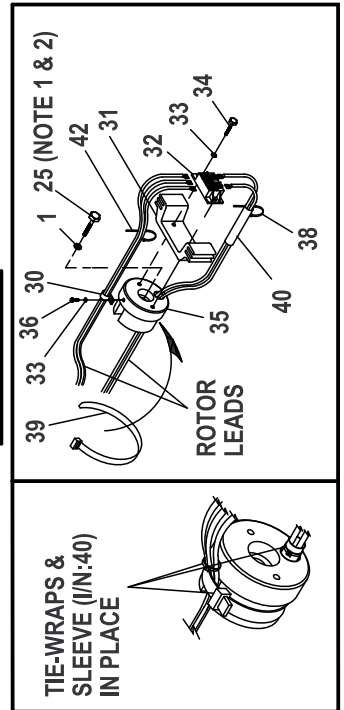
DOWEL PIN DETAIL "A" & "B"



- NOTES:**
- (1) TORQUE VALUES:
 ITEM #4 - 25 FT-LBS.
 ITEM #8 - 144 FT-LBS.
 ITEM #13 - 58 FT-LBS.
 ITEM #25 - 58 FT-LBS.
 ITEM #37 - 83 FT-LBS.
 ITEM #41 - 18 FT-LBS.
 (2) APPLY ITEM #45



SCROLL DETAIL "D"



TIE-WRAPS & SLEEVE (I/N:40) IN PLACE

HUB DETAIL "C"

EXPLODED VIEW: 390, BOARD SOLID LEAD TERM BRL

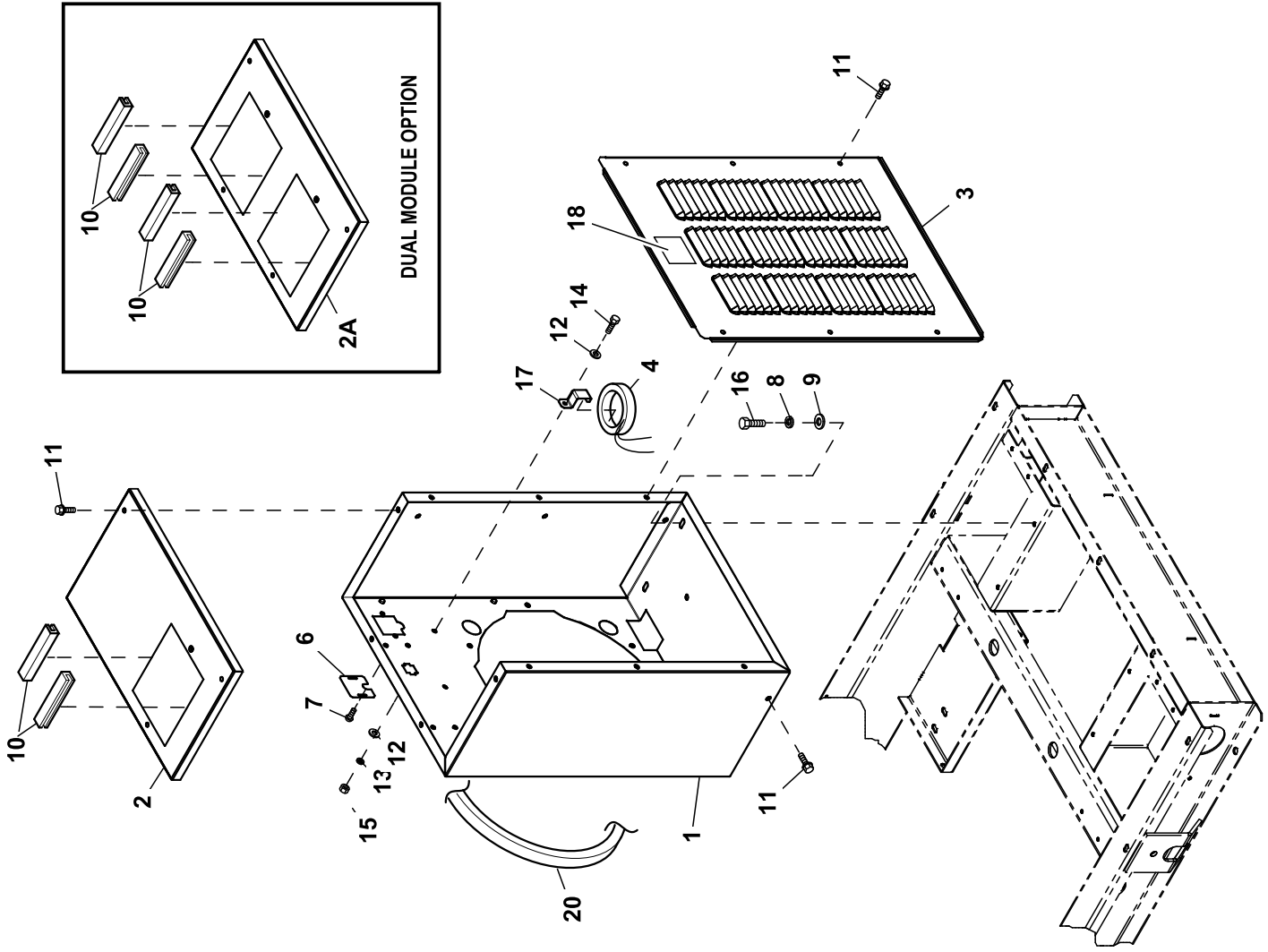
DRAWING #: 0J1479

GROUP A

APPLICABLE TO:

| ITEM | PART# | QTY. | DESCRIPTION |
|------------------|---------|---------|---|
| 1 | 051769 | 9 | WASHER LOCK M12 |
| 2 | 049808 | 6 | WASHER FLAT M12 |
| 3 | VARIES | REF | FLEX PLATE |
| 4 | 055173 | 6 | SCREW HHC M8-1.25 X 20 G10.9 |
| 5 | 022129 | 8 | WASHER LOCK M8-5/16 |
| 6 | 022145 | 8 | WASHER FLAT 5/16-M8 ZINC |
| 7 | 0G0724 | 1 | FAN MACHINED 390 SAE ALTERATOR |
| 8 | 0A2601 | 1 | SCREW HHC M16-2.0 X 45 G8.8 |
| 9 | 0A2602 | 1 | WASHER FLAT .688ID X 3.25OD |
| 10 | 0A1138 | 1 | KEY SQ 3/8 X 2-1/2 STEEL |
| 11 | 021941 | 1 | COUPLER 390 SAE |
| 12 | VARIES | REF | ROTOR PER ORDER (SEE BOM) |
| 13 | 052891 | 2 | SCREW HHC M12-1.75 X 80 C8.8 (1.25" STACK) |
| | 068407 | 2 | SCREW HHC M12-1.75 X 90 C10.9 (2.00" STACK) |
| 14 | 0A5580 | 4 | SCREW HHC M14-2.0 X 140 G8.8 |
| 15 | 0A1633 | 4 | WASHER,390 SAE ALT. |
| 16 | VARIES | REF | STATOR PER ORDER (SEE BOM) |
| 17 | 022131 | 12 | WASHER FLAT 3/8-M10 ZINC |
| 18 | 046526 | 12 | WASHER LOCK M10 |
| 19 | 057642 | 12 | SCREW HHC M10-1.5 X 40 G8.8 |
| 20 | 068113 | 1 | CARRIER REAR BRG 15" |
| 21 | 0H8394A | 1 | 390, BOARD SOLID LEAD TERM BRL |
| 22 | 043123 | 4 | WASHER LOCK M14 |
| 23 | 051779 | 4 | NUT HEX M14-2.0 G8 YEL CHR |
| 24 | 022304 | 2 | WASHER FLAT 1/2 ZINC |
| 25 | 053559 | 1 | SCREW HHC M12-1.75 X 45 C8.8 (1.25" STACK) |
| | 068406 | 1 | SCREW HHC M12-1.75 X 60 C10.9 (2.00" STACK) |
| 26 | 070274 | 1 | KEY SQ 3/8 X 2-3/4 STEEL |
| 27 | 087271 | 1 | ASSY EXCITER 1.25"STK |
| | 087272 | 1 | ASSY EXCITER 2.00" STK |
| 28 | 068404 | 1 | EXCITER FIELD 1.25 STK |
| | 068405 | 1 | EXCITER FIELD 15" 2" LG |
| 29 | 092950 | 1 | COLLAR SLIP FIT 390 MM |
| 30 | 020151 | 1 | CLAMP VINYL .312 X .203 Z |
| 31 | 090063 | 1 | BRIDGE SUPPORT DIODE 15" |
| 32 | 090152 | 1 | ASSY BRIDGE RECTIFIER |
| 33 | 023365 | 3 | WASHER SHAKEPROOF INT #8 |
| 34 | 033143 | 2 | SCREW HHM #8-32 X 7/8 |
| 35 | 090064 | 1 | CAP END ROTOR 390MM |
| 36 | 033133 | 1 | SCREW HHM #8-32 X 3/8 |
| 37 | 063837 | 6 | SCREW HHC M12-1.75 X 30 C10.9 |
| 38 | 028739A | 2 | TIE WRAP 3.9" X .10" BLK UL |
| 39 | 085662D | 1 | TIE WRAP UL 17.7 X .35 BLK HT |
| 40 | 022661L | 1 | SLEEVE UL #0 .330 ID |
| 41 | 042914 | 2 | SCREW HHC M8-1.25 X 90 C8.8 (1.25" STACK) |
| | 087712 | 2 | SCREW HHC M8-1.25 X 110 C8.8 (2.00" STACK) |
| 42 | 0H9157 | 2 | HOLLOW DOWEL PIN, 1/2 X 1-1/4 |
| 43 | 0A2110 | 2 | SCREW SWAGE 1/4-20 X 1/2 Z/YC |
| 44 | 0A4089 | 1 | ASSY SCROLL 390 SAE |
| 45 | 0A1786 | .5CC | ADH LOCTITE #8931 AA W/S |
| KIT 0A4089 PARTS | | | |
| 50 | 0A2491 | 2 | SHROUD ALT SHEET METAL |
| 51 | 0A2497 | 2 | SCREEN SHROUD SAE |
| 52 | 0A2496 | 2 | BRKT TENSIONER SAE SCROLL |
| 53 | 056326 | 8.4 FT. | TRIM VINYL BLACK 1/8GP |
| 54 | 022097 | 6 | WASHER LOCK M6-1/4 |
| 55 | 022473 | 6 | WASHER FLAT 1/4-M6 ZINC |
| 56 | 045757 | 2 | SCREW HHC M6-1.0 X 25 G8.8 |
| 57 | 047411 | 4 | SCREW HHC M6-1.0 X 16 G8.8 |
| 58 | 0A2110 | 12 | SCREW SWAGE 1/4-20 X 1/2 Z/YC |

GROUP A



EXPLODED VIEW: EV 390 ALTERNATOR TOWER ASM

DRAWING #: 0J7594

GROUP A

APPLICABLE TO:

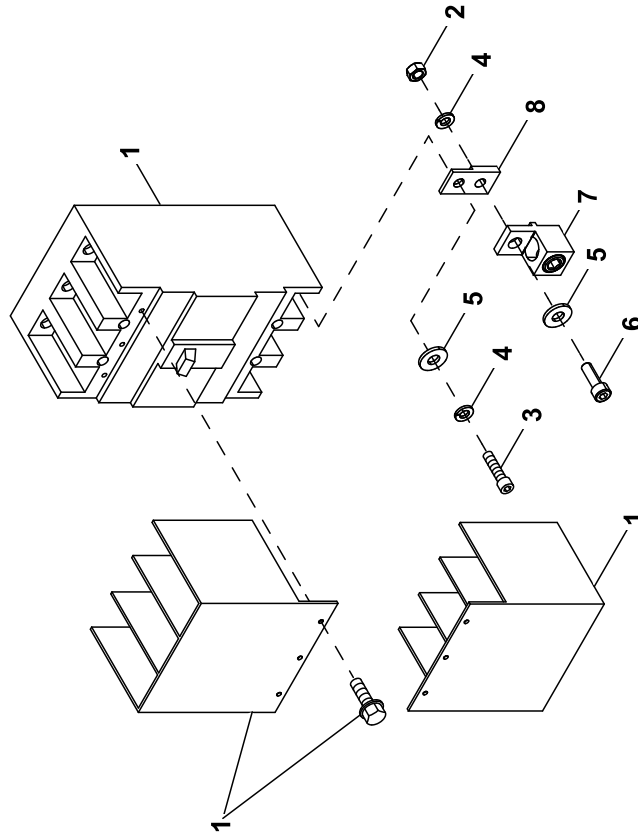
| ITEM | PART# | QTY. | DESCRIPTION |
|-------------|--------------|-------------|---|
| (1)1 | 0J75960ST0R | 1 | MAIN, ALT TOWER 390 W/ SHROUD |
| (1)2 | 0H94310ST0R | 1 | TOP, ALT TOWER 390 SINGLE CB |
| | 0H9431BST0R | 1 | TOP ALT TOWER 390 SNGL CB RH |
| (1)2A | 0H9431AST0R | 1 | TOP, ALT TOWER 390 DUAL CB |
| (1)3 | 0H94320ST0R | 1 | COVER, ALT TOWER 390 |
| (3)4 | 0J0481 | 2/3 | XFMR CURRENT 50A W/BRKT UL RCG |
| | 0J0481A | 2/3 | XFMR CURRENT 100A W/BRKT UL G |
| | 0J0481B | 2/3 | XFMR CURRENT 150A W/BRKT UL |
| | 0J0481C | 2/3 | XFMR CURRENT 200A W/BRKT UL |
| | 0J0481D | 2/3 | XFMR CURRENT 300A W/BRKT UL |
| | 0J0481E | 2/3 | XFMR CURRENT 400A W/BRKT UL |
| | 0J0481F | 2/3 | XFMR CURRENT 500A W/BRKT UL |
| | 0J0481G | 2/3 | XFMR CURRENT 600A W/BRKT UL |
| 5 | N/A | | |
| (1)6 | 0J01360ST0R | 1 | PLATE, WIRE HARN BLOCKOFF |
| 7 | 0J5464 | 2 | SCREW THTT M5-0.8 X 16 ZP |
| 8 | 022097 | 4 | WASHER LOCK M6-1/4 |
| 9 | 022473 | 4 | WASHER FLAT 1/4-M6 ZINC |
| (2)10 | 056326 | 2/4 | TRIM VINYL BLACK 1/8GP (6"LG) |
| 11 | 0C2454 | 12 | SCREW HWHT M6-1 X 16 N WA Z/JS |
| (3)12 | 022145 | 4/8 | WASHER FLAT 5/16-M8 ZINC |
| (3)13 | 022129 | 2/3 | WASHER LOCK M8-5/16 |
| 14 | 042907 | 2/3 | SCREW HHC M8-1.25 X 16 C8.8 |
| 15 | 045771 | 2/3 | NUT HEX M8-1.25 G8 CLEAR ZINC |
| 16 | 024983 | 4 | SCREW HHTT 1/4-20 X 3/4 CZ |
| (3)17 | 0J1857 | 2/3 | CT BRKT 1.1" WINDOW FRAME |
| | 0J1857A | 2/3 | CT BRKT 2.25" WINDOW FRAME |
| 18 | 0C1229 | 1 | DECAL WARNING ELECTRICAL SHOCK |
| 19 | 0H9845 | 1 | HARN 390/520 CONBOX H-PANEL (NOT SHOWN) |
| 20 | 052250 | 1 | TAPE FOAM 1X1 (49" LG) |

NOTES (UNLESS OTHERWISE SPECIFIED):

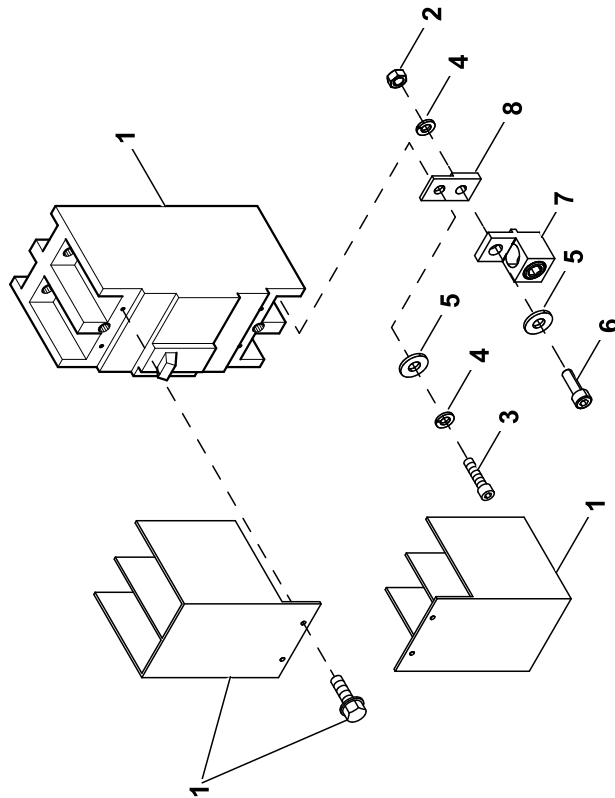
(1) SHEET METAL PARTS LISTED IN THE BOM TABLE ARE REPRESENTING GENERIC PARTS (NO COLOR)

- MANUFACTURING: FOR CORRECT MATERIAL AND COLOR REFER TO AS400 BOM.
- CUSTOMER: WHEN ORDERING REPLACEMENT PARTS ENTER BASE NUMBER (FIRST 6 DIGITS ONLY) IN THE SYSTEM FOR CORRECT MATERIAL AND COLOR (FOR REFERENCE SEE GUIDELINE 0H7169).

(3) QTY. REQUIRED FOR 1 PHASE / QTY. REQUIRED FOR 3 PHASE.



225AF 3Ø CIRCUIT BREAKER



225AF 1Ø CIRCUIT BREAKER

EXPLODED VIEW: EV,CB ASSEMBLY 225AF**DRAWING #: 0J8468****GROUP A**

| ITEM | PART# | QTY. | DESCRIPTION |
|-------------|--------------|-------------|-------------------------------|
| 1 | REF | 1 | MAIN CIRCUIT BREAKER |
| (1)2 | 045771 | 4/6 | NUT HEX M8-1.25 G8 CLEAR ZINC |
| (1)3 | 049897 | 4/6 | SCREW SHC M8-1.25 X 20 G8 |
| (1)4 | 022129 | 8/12 | WASHER LOCK M8-5/16 |
| (1)5 | 022145 | 8/12 | WASHER FLAT 5/16-M8 ZINC |
| (1)6 | 058306 | 4/6 | SCREW SHC M8-1.25 X 25 C12.9 |
| (1)7 | 0F8451 | 4/6 | LUG SLDLSS 300 MCM-6 AL/CU |
| (1)8 | 0F8843 | 4/6 | BUS BAR 200A LUG ADAPTOR |

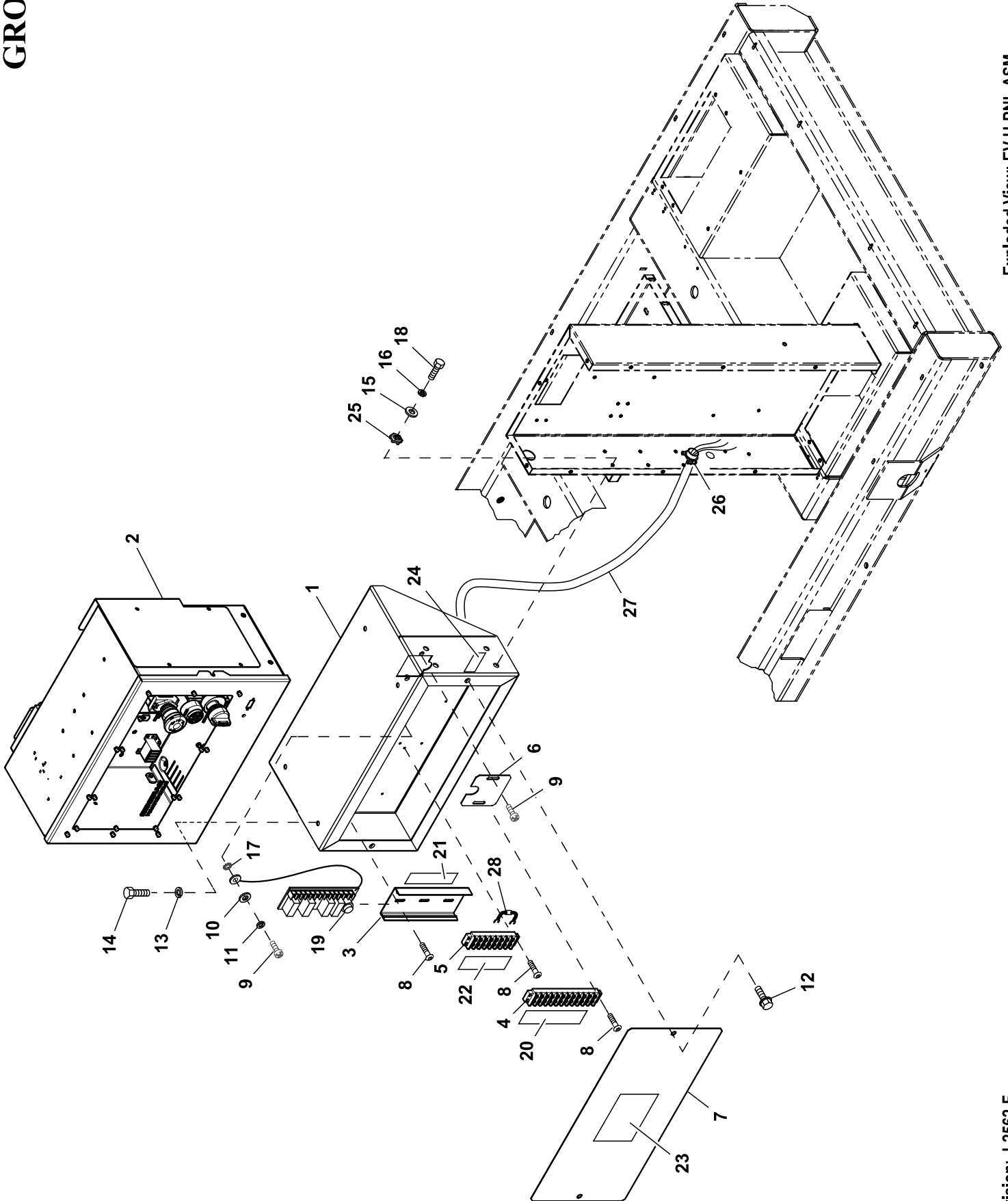
(1) QTY. REQUIRED FOR 1Ø BREAKERS / QTY. REQUIRED FOR 3Ø BREAKERS.

APPLICABLE TO:

| DPE Breaker and Field Boost Resistor Table for Gensets with H-Panel Control & 12V Battery | | | | | | | | |
|---|-----------|---------------|-------------------|--------------|-------------|--------|----------------------|-------|
| VOLTAGE | FREQUENCY | EXCITATION | SIZE | kW RATING | DPE BREAKER | | FIELD BOOST RESISTOR | |
| | | | | | PART NO. | SIZE | PART NO. | SIZE |
| 120/240 1φ | 60 Hz | direct | 390 mm or smaller | 1kW - 8.9kW | 048512 | 5A | 0F5752E | 5 ohm |
| | | PME/brushless | | 9kW - 45kW | 048467 | 7A | | |
| | | | | 1kW - 15kW | 053623 | 2.5A | | |
| | | | | 16kW - 18kW | 049350 | 4A | | |
| | | | | 19kW - 26kW | 054450 | 5.5A | | |
| | | | | 27kW - 41kW | 048505 | 6A | | |
| | | | | 45kW - 130kW | 048476 | 4.5A | | |
| 520 mm | any | 048476 | 4.5A | 0F5752D | 75 ohm | | | |
| 120/208 3φ | 60 Hz | direct | 390 mm or smaller | 1kW - 8.9kW | 048512 | 5A | 0F5752E | 5 ohm |
| | | PME/brushless | | 9kW - 45kW | 048467 | 7A | | |
| | | | | 1kW - 15kW | 053623 | 2.5A | | |
| | | | | 16kW - 18kW | 049350 | 4A | | |
| | | | | 19kW - 26kW | 054450 | 5.5A | | |
| | | | | 27kW - 41kW | 048505 | 6A | | |
| | | | | 45kW - 130kW | 048476 | 4.5A | | |
| 520 mm | any | 048476 | 4.5A | 0F5752D | 75 ohm | | | |
| 120/240 3φ | 60 Hz | direct | 390 mm or smaller | 1kW - 8.9kW | 048512 | 5A | 0F5752E | 5 ohm |
| | | PME/brushless | | 9kW - 45kW | 048467 | 7A | | |
| | | | | 1kW - 15kW | 053623 | 2.5A | | |
| | | | | 16kW - 18kW | 049350 | 4A | | |
| | | | | 19kW - 26kW | 054450 | 5.5A | | |
| | | | | 27kW - 41kW | 048505 | 6A | | |
| | | | | 45kW - 130kW | 048476 | 4.5A | | |
| 520 mm | any | 048476 | 4.5A | 0F5752D | 75 ohm | | | |
| 277/480 3φ | 60 Hz | direct | 390 mm or smaller | 1kW - 8.9kW | 048512 | 5A | 0F5752E | 5 ohm |
| | | PME/brushless | | 9kW - 45kW | 048467 | 7A | | |
| | | | | 1kW - 15kW | 053623 | 2.5A | | |
| | | | | 16kW - 26kW | 054450 | 5.5A | | |
| | | | | 27kW - 41kW | 048505 | 6A | | |
| | | | | 45kW - 130kW | 048476 | 4.5A | | |
| | | | | 520 mm | any | 048476 | | |
| 346/600 3φ | 60 Hz | direct | 390 mm or smaller | 1kW - 8.9kW | 048512 | 5A | 0F5752E | 5 ohm |
| | | PME/brushless | | 9kW - 45kW | 048467 | 7A | | |
| | | | | 1kW - 15kW | 053623 | 2.5A | | |
| | | | | 16kW - 18kW | 049350 | 4A | | |
| | | | | 19kW - 26kW | 054450 | 5.5A | | |
| | | | | 27kW - 130kW | 048476 | 4.5A | | |
| | | | | 520 mm | any | 048476 | | |
| 110/220 1φ | 50 Hz | direct | 390 mm or smaller | 1kW - 8.9kW | 048512 | 5A | 0F5752E | 5 ohm |
| | | PME/brushless | | 9kW - 45kW | 048467 | 7A | | |
| | | | | 1kW - 15kW | 053623 | 2.5A | | |
| | | | | 16kW - 18kW | 049350 | 4A | | |
| | | | | 19kW - 26kW | 048476 | 4.5A | | |
| | | | | 27kW - 130kW | 048505 | 6A | | |
| | | | | 520 mm | any | 048476 | | |
| 100/200 3φ | 50 Hz | direct | 390 mm or smaller | 1kW - 8.9kW | 048512 | 5A | 0F5752E | 5 ohm |
| | | PME/brushless | | 9kW - 45kW | 048467 | 7A | | |
| | | | | 1kW - 15kW | 053623 | 2.5A | | |
| | | | | 16kW - 18kW | 049350 | 4A | | |
| | | | | 19kW - 26kW | 048476 | 4.5A | | |
| | | | | 27kW - 130kW | 048505 | 6A | | |
| | | | | 520 mm | any | 048476 | | |
| 115/200 3φ | 50 Hz | direct | 390 mm or smaller | 1kW - 8.9kW | 048512 | 5A | 0F5752E | 5 ohm |
| | | PME/brushless | | 9kW - 45kW | 048467 | 7A | | |
| | | | | 1kW - 15kW | 053623 | 2.5A | | |
| | | | | 16kW - 18kW | 049350 | 4A | | |
| | | | | 19kW - 26kW | 048476 | 4.5A | | |
| | | | | 27kW - 130kW | 048505 | 6A | | |
| | | | | 520 mm | any | 048476 | | |
| 231/400 3φ | 50 Hz | direct | 390 mm or smaller | 1kW - 8.9kW | 048512 | 5A | 0F5752E | 5 ohm |
| | | PME/brushless | | 9kW - 45kW | 048467 | 7A | | |
| | | | | 1kW - 15kW | 053623 | 2.5A | | |
| | | | | 16kW - 18kW | 049350 | 4A | | |
| | | | | 19kW - 26kW | 054450 | 5.5A | | |
| | | | | 27kW - 41kW | 048505 | 6A | | |
| | | | | 45kW - 130kW | 048476 | 4.5A | | |
| 520 mm | any | 048476 | 4.5A | 0F5752D | 75 ohm | | | |

**BLANK
PAGE**

GROUP B



EXPLODED VIEW: EV H-PNL 10A BC NO E-GOV DSL24

DRAWING #: 0J0288

GROUP B

APPLICABLE TO:

| ITEM | PART# | QTY. | DESCRIPTION |
|----------|-------------|------|---|
| (1)1 | OH84230STOR | 1 | BRACKET H-PNL MOUNTIN CCI IND |
| 2 | OH4733E | 1 | ASSY H-PANEL 2.5A BATC 12V |
| | OG4140E | 1 | ASSY H-PANEL 10A BATC 12V |
| | OG4141E | 1 | ASSY H-PANEL NO BATC NO E-GOV |
| | OG4144E | 1 | ASSY H-PANEL 10A BATC 24V |
| 3 | OE9764 | 1 | RAIL SNAPTRACK PCB HOLDER BULK |
| (2)4 | 055911 | REF | BLOCK TERM 20A 12 X 6 X 1100V |
| (2)5 | 057701 | REF | BLOCK TERM 20A 8 X 6 X 1100V |
| (1)6 | 0J01360STOR | 1 | PLATE, WIRE HARN BLOCKOFF |
| (1)7 | OH96870STOR | 1 | COVER, COSTOMER CONN H-PNL |
| 8 | 0J5462 | 6 | SCREW THTT M4-0.7 X 16 ZP |
| 9 | 0J5464 | 3 | SCREW THTT M5-0.8 X 16 ZP |
| 10 | 051713 | 3 | WASHER FLAT M5 |
| 11 | 049226 | 3 | WASHER LOCK M5 |
| 12 | 0C2454 | 2 | SCREW HWHT M6-1 X 16 N WA Z/JS |
| 13 | 022097 | 4 | WASHER LOCK M6-1/4 |
| 14 | 047411 | 4 | SCREW HHC M6-1.0 X 16 C8.8 |
| 15 | 022145 | 4 | WASHER FLAT 5/16-M8 ZINC |
| 16 | 022129 | 4 | WASHER LOCK M8-5/16 |
| 17 | 026850 | 1 | WASHER LOCK EXT 1/4 STL |
| 18 | 039253 | 4 | SCREW HHC M8-1.25 X 20 C8.8 |
| 19 | 0G6962A | 1 | ASSY PCB RELAY 24VDC |
| | 0G6962B | 1 | ASSY PCB RELAY 12VDC |
| 20 | 0J0392 | 1 | DECAL, TB1 LV CUSTOMER CONN |
| 21 | 0J0398 | 1 | DECAL, CONTACT RAT 30VAC/30VDC |
| 22 | 0J0393 | 1 | DECAL, TB2 LV CUSTOMER CONN |
| 23 | 0J0545 | 1 | DECAL, LV CUSTOMER CONN INSIDE |
| 24 | 0J0575 | 1 | DECAL, CUSTOMER WIRE #14 |
| 25 | 0C3168 | 1 | WASHER LOCK SPECIAL 5/16 |
| (5)26 | 022206 | 1 | FITTING CONDUIT STR 3/8 |
| (6)(3)27 | OH9845 | REF | HARN 390/520 CONBOX H-PANEL |
| (4)28 | 0C8065 | 1 | DIODE ASSEMBLY |
| 29 | 0J5349 | REF | HARN 390/520 CONBOX 12V GAS H (NOT SHOWN) |

UNLESS OTHERWISE SPECIFIED:

(1) SHEET METAL PARTS LISTED IN THE BOM TABLE ARE REPRESENTING GENERIC PARTS (NO COLOR).

- **MANUFACTURING:** FOR CORRECT MATERIAL AND COLOR REFER TO AS400 BOM.
- **CUSTOMER:** FOR CORRECT MATERIAL AND COLOR OF REPLACEMENT PARTS REFER TO "REPLACEMENT SHEET METAL PARTS ORDERING GUIDE-0H7169" INCLUDED IN THE MANUAL OR AVAILABLE ON THE GENERAC WEBSITE.

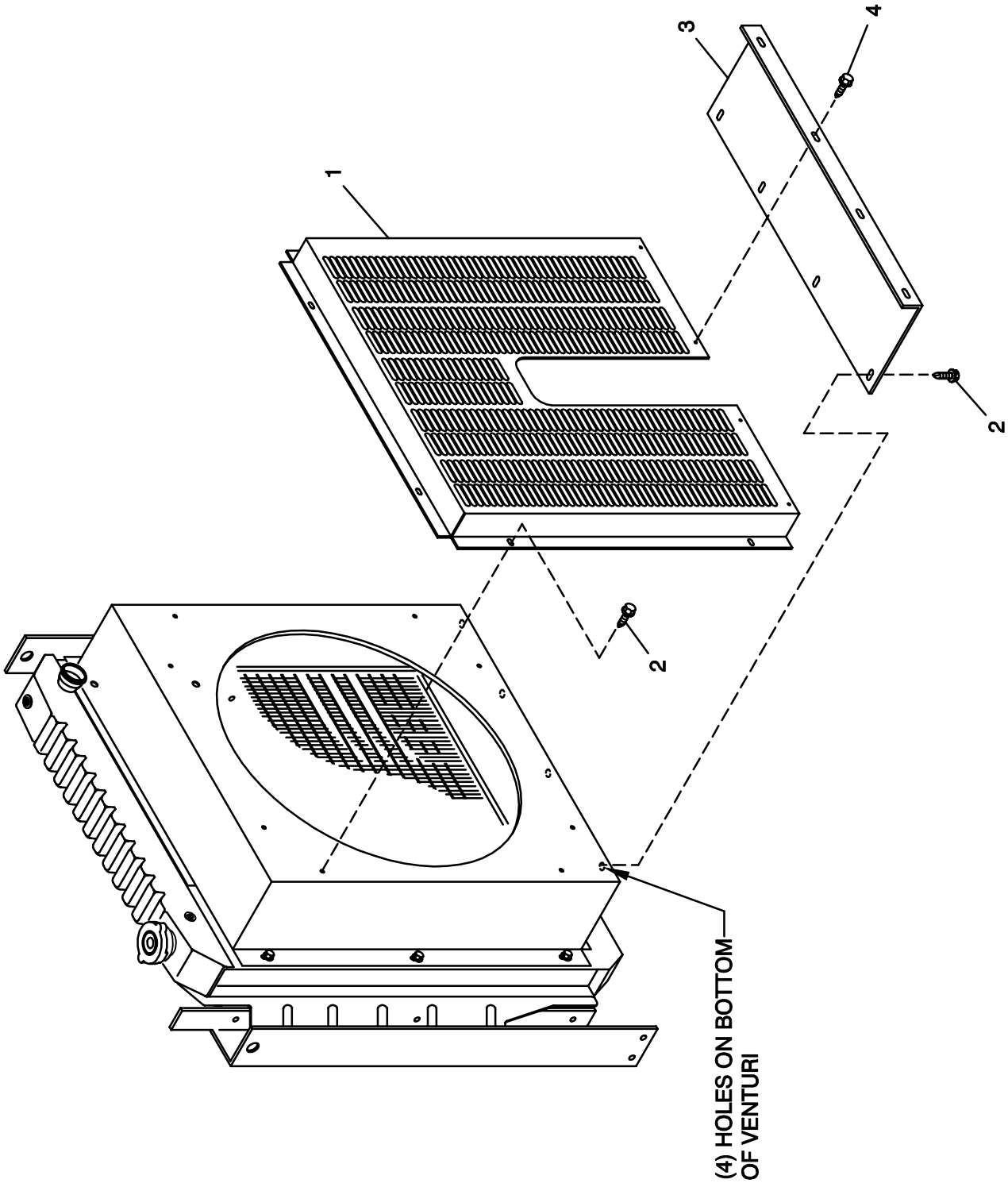
(2) PART OF CONNECTION BOX HARNESS

(3) HARNESS GETS WIRED TO LOAD CENTER IF EQUIPPED.

(4) REFERENCE WIRE DIAGRAM FOR PROPER LOCATION.

(5) NOT REQUIRED IF EQUIPPED WITH 0J1594, KIT BATTERY CHARGER POWER CORD.

(6) HARNESS GETS TIED BACK AND BUNDLED WITH OTHER HARNESS AND LEFT UNCONNECTED IF EQUIPPED WITH 0J1594, KIT BATTERY CHARGER POWER CORD.



EXPLODED VIEW:
STANDARD FAN GUARD
DRAWING #: 0D4242

EXPLODED VIEW: STANDARD FAN GUARD

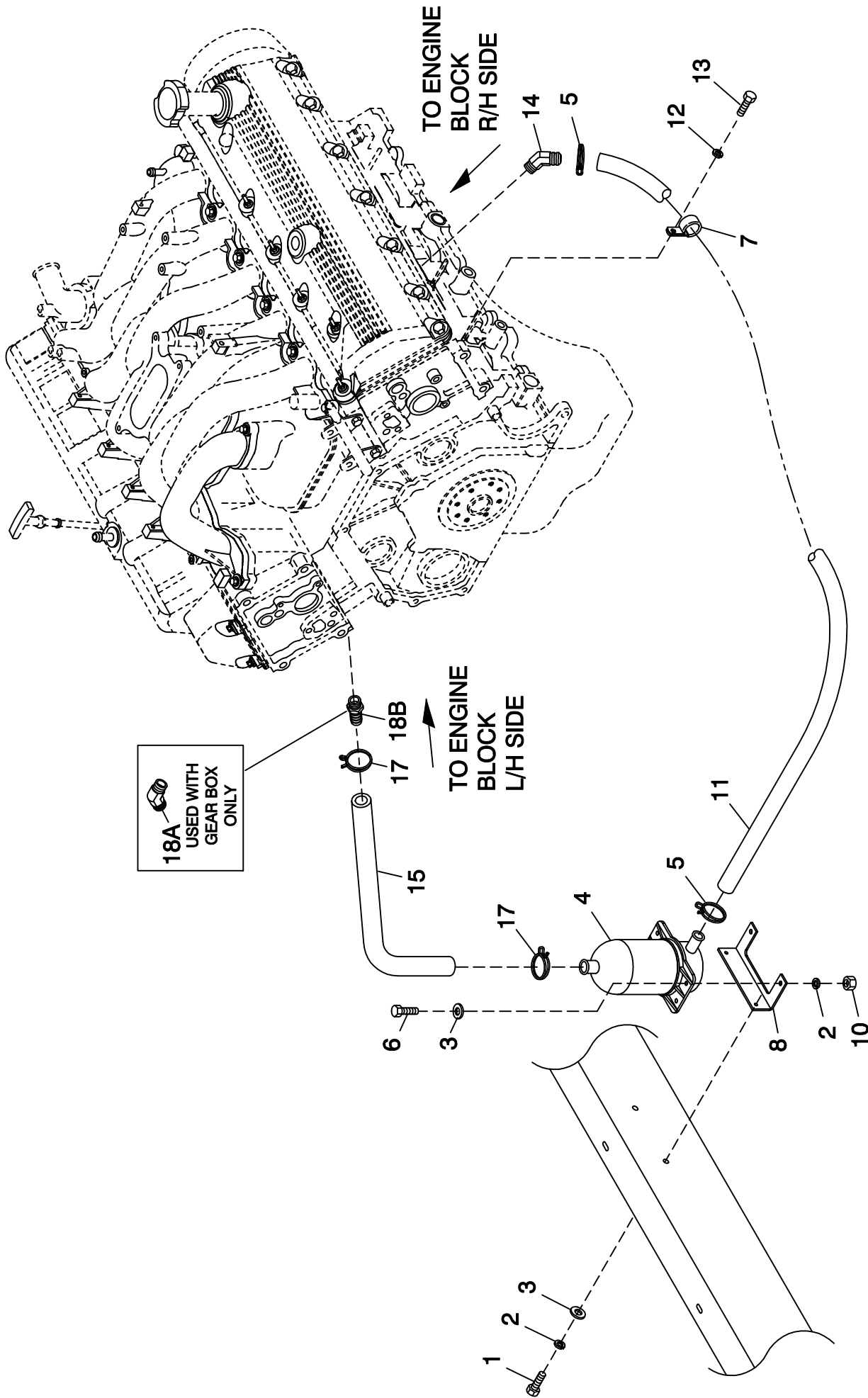
DRAWING #: 0D4242

GROUP C

APPLICABLE TO:

| ITEM | PART # | QTY. | DESCRIPTION |
|-------------|---------------|-------------|-------------------------------|
| 1 | 0D3483 | 1 | FAN GUARD |
| 2 | 0A2110 | 10 | SCREW SWAGE 1/4-20 X 1/2 Z/YC |
| 3 | 0D3484 | 1 | BOTTOM COVER, FANGUARD |
| 4 | 074908 | 4 | SCREW HHTT M5-0.8 X 10 BP |

GROUP C



18A
USED WITH
GEAR BOX
ONLY

TO ENGINE
BLOCK
R/H SIDE

TO ENGINE
BLOCK
L/H SIDE

EXPLODED VIEW:
ENGINE COOLANT BLOCK HEATER 6.8L
DRAWING #: 0E9805

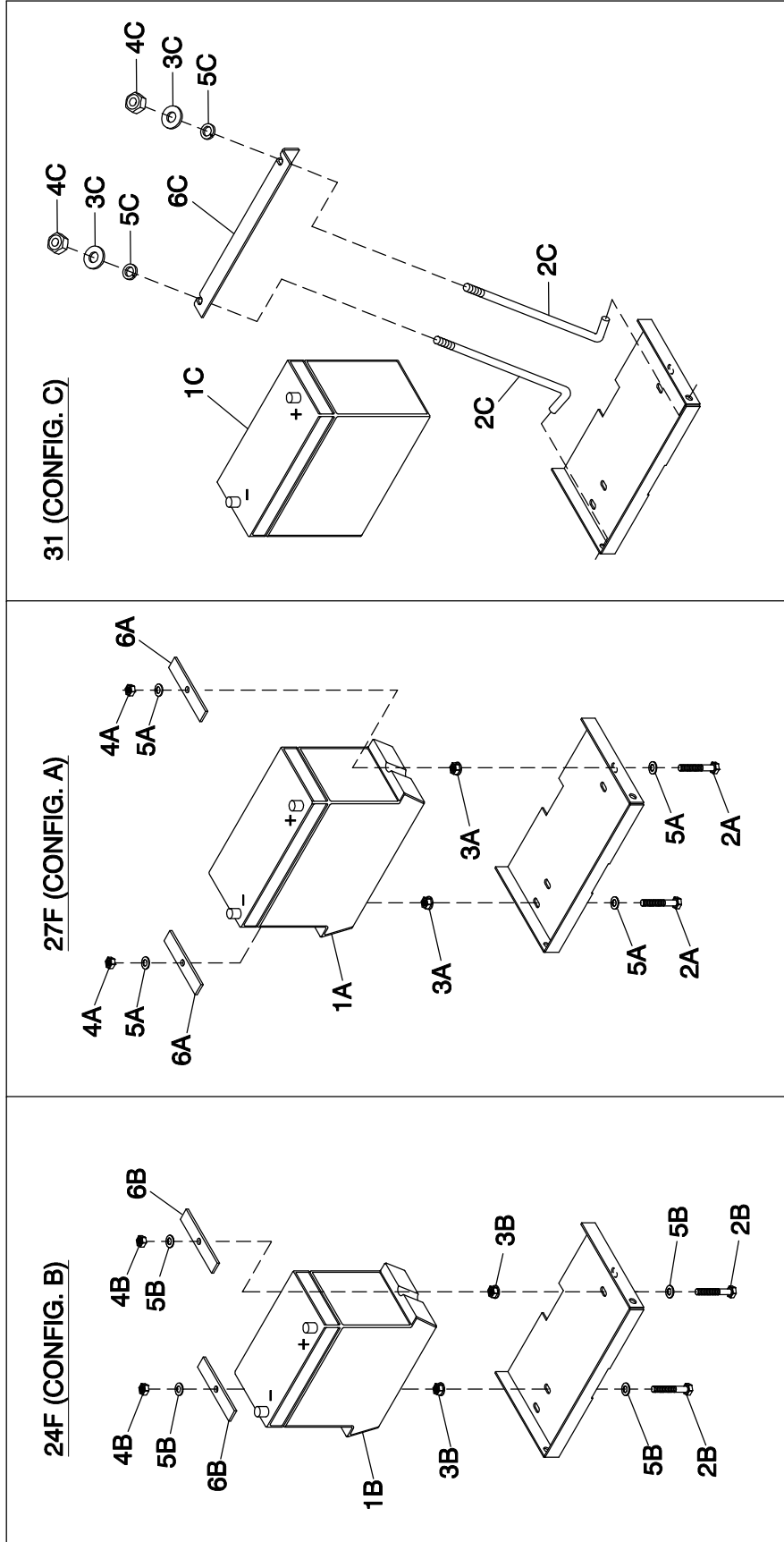
EXPLODED VIEW: ENGINE COOLANT BLOCK HEATER 6.8L**DRAWING #: 0E9805****GROUP C**

APPLICABLE TO:

| ITEM | PART # | QTY. | DESCRIPTION |
|-------------|---------------|-------------|---|
| 1 | 047411 | 2 | SCREW HHC M6-1.0 X 16 G8.8 |
| 2 | 022097 | 4 | WASHER LOCK M6-1/4 |
| 3 | 022473 | 4 | WASHER FLAT 1/4 ZINC |
| 4 | 084918G | 1 | HEATER ENG 1500W 120V (60HZ) |
| | 084918H | 1 | HEATER ENG 1500W 240V (50HZ) |
| 5 | 0G0015 | 2 | CLAMP, HOSE 5/8" DOUBLE WIRE |
| 6 | 042568 | 2 | SCREW HHC M6-1.0 X 20 G8.8 |
| 7 | 055934D | 1 | CLAMP VINYL 1.06 X .406 Z |
| 8 | 084427 | 1 | BRACKET HEATER |
| 10 | 049813 | 2 | NUT HEX M6-1.0 G8 YEL CHR |
| 11 | 050967 | 1 | HOSE 5/8 ID RIA 250F (31"LG) |
| 12 | 022129 | 1 | WASHER LOCK M8-5/16 |
| 13 | 042907 | 1 | SCREW HHC M8-1.25 X 16 G8.8 |
| 14 | 0C4905 | 1 | BARBED EL 45 3/8NPT X 5/8OD |
| (1) 15 | 0A6283 | 1 | HOSE PREFORMED BLOCK HEATER |
| (1) 17 | 0G0015 | 2 | CLAMP, HOSE 5/8" DOUBLE WIRE |
| (1) 18A | 0C4905 | 1 | BARBED EL 45 3/8NPT X 5/8OD (USED ON GEAR BOX ONLY) |
| (1) 18B | 044117 | 1 | BARBED STR 3/8NPT X 5/8 (USED ON DIRECT DRIVE ONLY) |

(1) USED ON NON-DUEL FUEL NATURAL GAS & LP VAPOR UNITS ONLY.

GROUP C

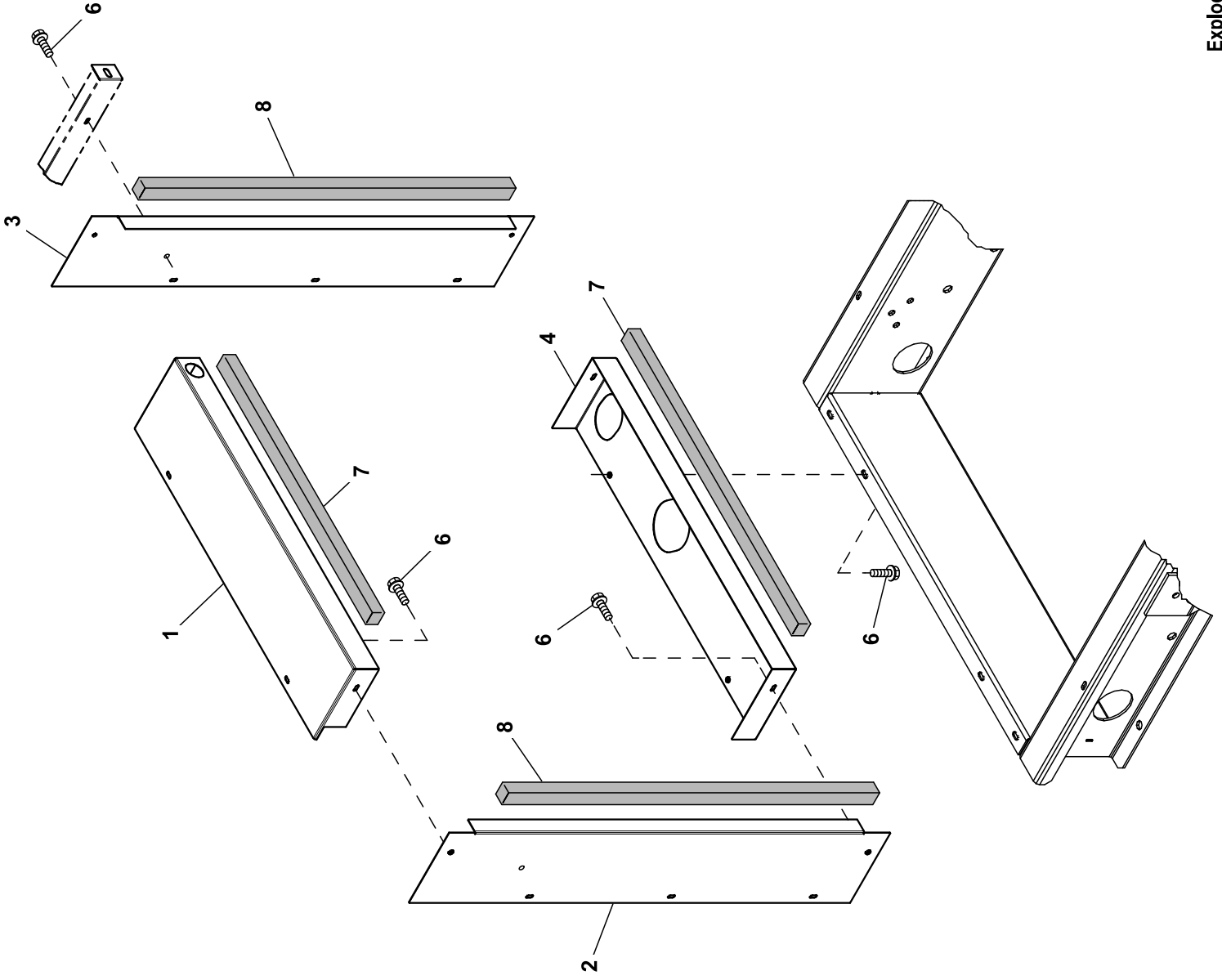


EXPLODED VIEW: BATTERY HOLD DOWN 24, 27,& 31**DRAWING #: 0G7790****GROUP C**

APPLICABLE TO:

| ITEM | PART # | QTY. | DESCRIPTION |
|-------------|---------------|-------------|--------------------------------|
| 1A | 058665 | 1 | BATTERY 12VDC 90-AH 27F |
| | 058665A | 1 | BATTERY SERVICE DRY |
| B | 058208 | 1 | BATTERY 12VDC 24F 525 CCA |
| C | 061119 | 1 | BATTERY BCI GRP 31 |
| | 061119A | 1 | 31E BATTERY SERVICE DRY |
| 2A | 0A4010 | 2 | SCREW HHC M8-1.25 X 60 C8.8 FT |
| B | 0A4010 | 2 | SCREW HHC M8-1.25 X 60 C8.8 FT |
| C | 099049 | 2 | J BOLT BATTERY TRAY |
| 3A | 052858 | 2 | NUT LOCK FL M8-1.25 |
| B | 052858 | 2 | NUT LOCK FL M8-1.25 |
| C | 022129 | 2 | WASHER LOCK M8-5/16 |
| 4A | 049820 | 2 | NUT LOCK HEX M8-1.25 NYL INS |
| B | 049820 | 2 | NUT LOCK HEX M8-1.25 NYL INS |
| C | 045771 | 2 | NUT HEX M8-1.25 G8 CLEAR ZINC |
| 5A | 022145 | 4 | WASHER FLAT 5/16-M8 ZINC |
| B | 022145 | 4 | WASHER FLAT 5/16-M8 ZINC |
| C | 058653 | 2 | WASHER FLAT M8 |
| 6A | 061902 | 2 | HOLD DOWN BATTERY (60-100KW) |
| B | 061902 | 2 | HOLD DOWN BATTERY (60-100KW) |
| C | 059568B | 2 | BATT HOLD DOWN BAR 368MM |

GROUP C



EXPLODED VIEW: EV RADIATOR BLOCKOFF 6.8L**DRAWING #: 0J1133****GROUP C****APPLICABLE TO:**

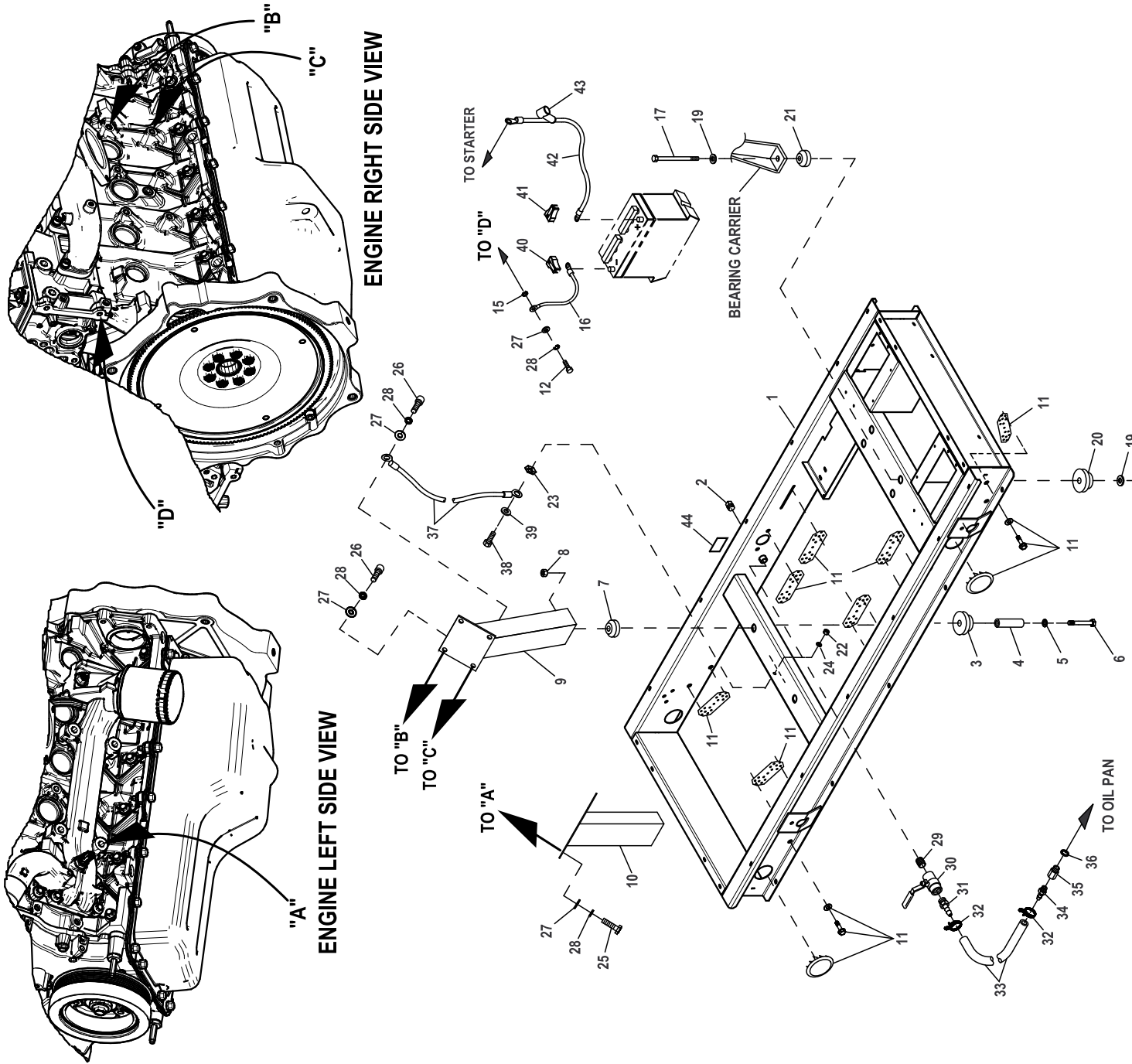
| ITEM | PART# | QTY. | DESCRIPTION |
|------|-------------|------|--------------------------------|
| (1)1 | 0J11370ST0R | 1 | RADIATOR BLOCKOFF 6.8L TOP |
| (1)2 | 0J11350ST0R | 1 | RADIATOR BLOCKOFF 6.8L LEFT |
| (1)3 | 0J11360ST0R | 1 | RADIATOR BLOCKOFF 6.8L RIGHT |
| (1)4 | 0J11340ST0R | 1 | RADIATOR BLOCKOFF 6.8L BOTTOM |
| 5 | N/A | | |
| 6 | 0C2454 | 8 | SCREW HWHT M6-1 X 16 N WA Z/JS |
| 7 | 052250 | 2 | TAPE FOAM 1X1 (29"LG) |
| 8 | 052250 | 2 | TAPE FOAM 1X1 (34"LG) |

NOTES (UNLESS OTHERWISE SPECIFIED):

(1) SHEET METAL PARTS LISTED IN THE BOM TABLE ARE REPRESENTING GENERIC PARTS (NO COLOR)

- MANUFACTURING: FOR CORRECT MATERIAL AND COLOR REFER TO AS400 BOM.
- CUSTOMER: WHEN ORDERING REPLACEMENT PARTS ENTER BASE NUMBER (FIRST 6 DIGITS ONLY) IN THE SYSTEM FOR CORRECT MATERIAL AND COLOR (FOR REFERENCE SEE GUIDELINE 0H7169).

GROUP C



EXPLODED VIEW: EV 6.8L G3 CCI MOUNTING BASE

DRAWING #: 0J2569

GROUP C

APPLICABLE TO:

| ITEM | PART# | QTY. | DESCRIPTION |
|-------|-------------|------|---|
| (2)1 | 0J03380ST0R | 1 | MTG BASE G6.8L 390 DD CCI |
| | 0J03390ST0R | 1 | MTG BASE G6.8L 390 DD DUAL CCI |
| | 0J03400ST0R | 1 | MTG BASE G6.8L 390 GB CCI |
| | 0J03410ST0R | 1 | MTG BASE G6.8L 390 GB DUAL CCI |
| | 0J03420ST0R | 1 | MTG BASE G6.8L 520 GB CCI |
| | 0J0342AST0R | 1 | MTG BASE G6.8 520 GB MPS |
| | 0J03430ST0R | 1 | MTG BASE G6.8L 520 GB DUAL CCI |
| | 0J0343AST0R | 1 | MTG BASE G6.8L 520 GB DUAL MPS |
| 2 | 024310 | 1 | PLUG STD PIPE 1/2 STEEL SQ HD |
| 3 | 052252 | 4 | DAMPENER VIBRATION |
| | | 2 | DAMPENER VIBRATION (520 ALT G/B) |
| 4 | 052257 | 4 | SPACER .49 X .62 X 1.87 PWDR/ZINC |
| | | 2 | SPACER .49 X .62 X 1.87 PWDR/ZINC (520 ALT G/B) |
| 5 | 052259 | 4 | WASHER FLAT M12 |
| | | 2 | WASHER FLAT M12 (520 ALT G/B) |
| 6 | 055597 | 4 | SCREW HHC M12-1.75 X 85 G8.8 |
| | | 2 | SCREW HHC M12-1.75 X 85 G8.8 (520 ALT G/B) |
| 7 | 052251A | 4 | DAMPENER VIBRATION 50 WHITE |
| | | 2 | DAMPENER VIBRATION 50 WHITE (520 ALTG/B ONLY) |
| 8 | 052860 | 4 | NUT LOCKING M12-1.75 |
| | | 2 | NUT LOCKING M12-1.75 (520 ALT G/B ONLY) |
| 9 | 0D2007 | 1 | ENGINE MOUNT 6.8L RH SIDE |
| 10 | 0D2006 | 1 | ENGINE MOUNT 6.8L LH SIDE |
| 11 | REF | REF | KIT VARMIT GUARD |
| | REF | REF | KIT VARMIT GUARD |
| | REF | REF | KIT VARMIT GUARD |
| 12 | 051756 | 1 | SCREW HHC M10-1.5 X 20 C8.8 |
| 15 | 025507 | 1 | WASHER LOCK EXT 7/16 STL |
| 16 | 038805J | 1 | CABLE BATT BLK #1 X 30.00 NEG |
| (1)17 | 0H8626 | 2 | SCREW HHC 5/8-11 X 5 G8 (520 ALT G/B) |
| (1)18 | 089743 | 2 | NUT HEX LOCK 5/8-11 NY INS (520 ALT G/B) |
| (1)19 | 022247 | 4 | WASHER FLAT 5/8 ZINC (520 ALT G/B) |
| (1)20 | 059676 | 2 | MOUNT LOWER VIBRATION (520 ALT G/B) |
| (1)21 | 059675 | 2 | MOUNT UPPER VIBRATION (520 ALT G/B) |
| 22 | 045771 | 1 | NUT HEX M8-1.25 G8 YEL CHR |
| 23 | 0C3168 | 1 | 5/16 SPECIAL L/WASH |
| 24 | 022129 | 1 | WASHER LOCK M8-5/16 |
| 25 | 052243 | 4 | SCREW HHC M10-1.5 X 60 G8.8 |
| 26 | 052648 | 4 | SCREW SHC M10-1.5 X 20 C12.9 |
| 27 | 022131 | 9 | WASHER FLAT 3/8-M10 ZINC |
| 28 | 046526 | 9 | WASHER LOCK M10 |
| 29 | 030985 | 1 | NIPPLE CLOSE 1/2 X 1.125 |
| 30 | 078944 | 1 | VALVE BALL |
| 31 | 044118 | 1 | BARBED STR 1/2 NPT X 5/8 |
| 32 | 0G0015 | 2 | CLAMP HOSE 7/8" OD DOUBLE WIRE |
| 33 | 065386 | 1 | HOSE 5/8 ID SAE100R6 (11"LG) |
| 34 | 044117 | 1 | BARBED STR 3/8 NPT X 5/8 |
| 35 | 057765 | 1 | ADP OIL DRN M14-1.50 |
| 36 | 057772 | 1 | WASHER NYLON .565 |
| 37 | 0536210360 | 1 | WIRE ASSEM #4GA GRD |
| 38 | 043107 | 1 | SCREW HHC M8-1.25 X 25 G8.8 |
| 39 | 022145 | 1 | WASHER FLAT 5/16 ZINC |
| 40 | 050331 | 1 | BATT POST COVER BLK - |
| 41 | 050331A | 1 | BATT POST COVER RED + |
| 42 | 03880400AA | 1 | CABLE BATT RED #1 X 44.00 (G/B) |
| | 038804J | 1 | CABLE BATT RED #1 X 40.50 |

EXPLODED VIEW: EV 6.8L G3 CCI MOUNTING BASE

DRAWING #: 0J2569

GROUP C

APPLICABLE TO:

| ITEM | PART# | QTY. | DESCRIPTION |
|------|--------|------|--------------------|
| 43 | 075763 | 1 | BOOT BATTERY CABLE |
| 44 | 050277 | 1 | DECAL OIL DRAIN |

NOTES (UNLESS OTHERWISE SPECIFIED):

(1) 520 G/B ONLY

NOTES (UNLESS OTHERWISE SPECIFIED):

(2) SHEET METAL PARTS LISTED IN THE BOM TABLE ARE REPRESENTING GENERIC PARTS (NO COLOR)

- MANUFACTURING: FOR CORRECT MATERIAL AND COLOR REFER TO AS400 BOM.
- CUSTOMER: WHEN ORDERING REPLACEMENT PARTS ENTER BASE NUMBER (FIRST 6 DIGITS ONLY) IN THE SYSTEM FOR CORRECT MATERIAL AND COLOR (FOR REFERENCE SEE GUIDELINE 0H7169).

EXPLODED VIEW: EV 6.8L G3 CCI MOUNTING BASE

DRAWING #: 0J2569

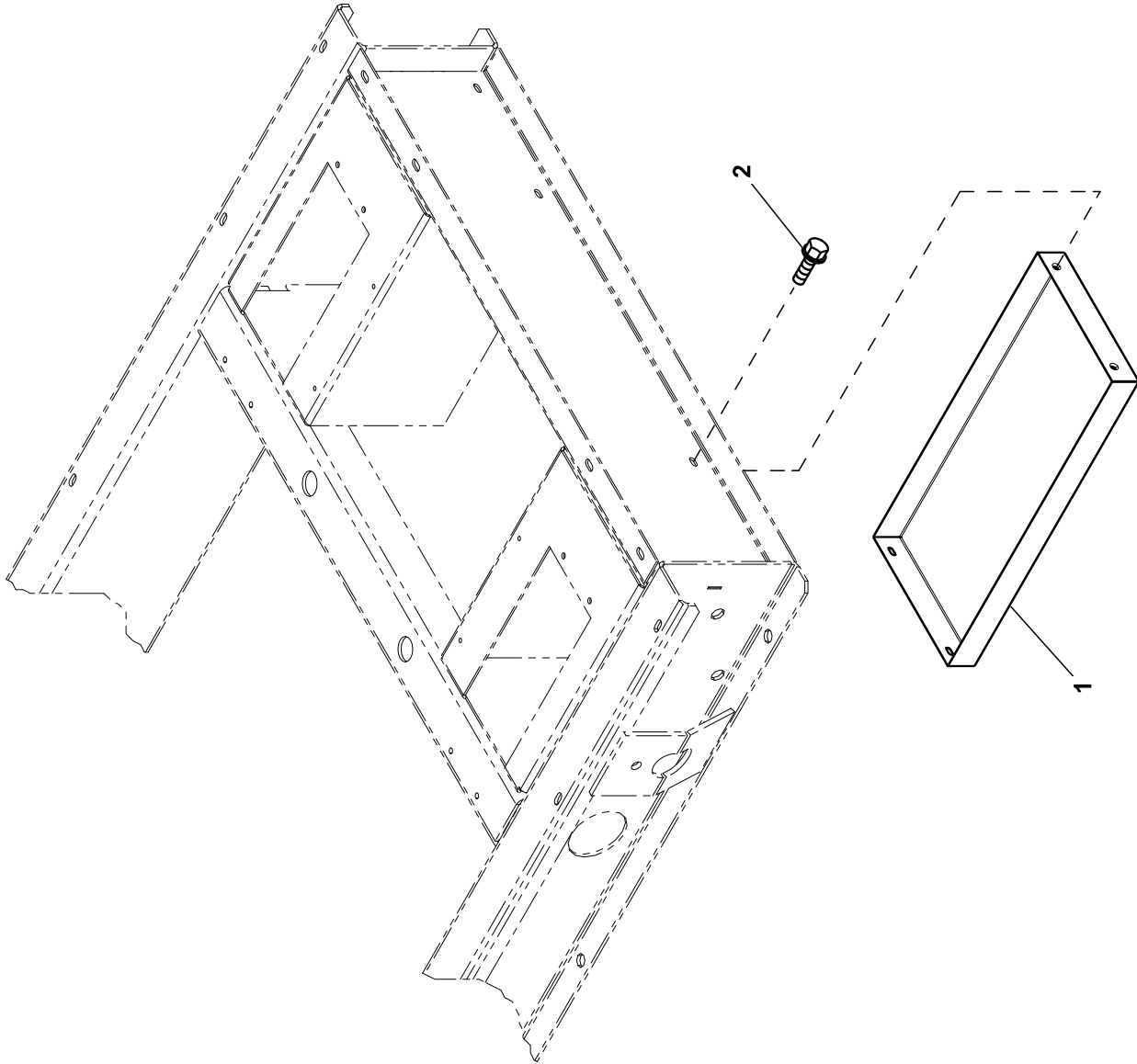
GROUP C

APPLICABLE TO:

| ITEM | PART# | QTY. | DESCRIPTION |
|------|-------|------|-------------|
|------|-------|------|-------------|

THIS PAGE LEFT INTENTIONALLY BLANK

GROUP C



NOTE:
GLAND PLATE (ITEM 1), TO BE INSTALLED UNDER EACH
HIGH VOLTAGE CONNECTION TOWER.

EXPLODED VIEW: EV GLAND PLATE

DRAWING #: 0J4768

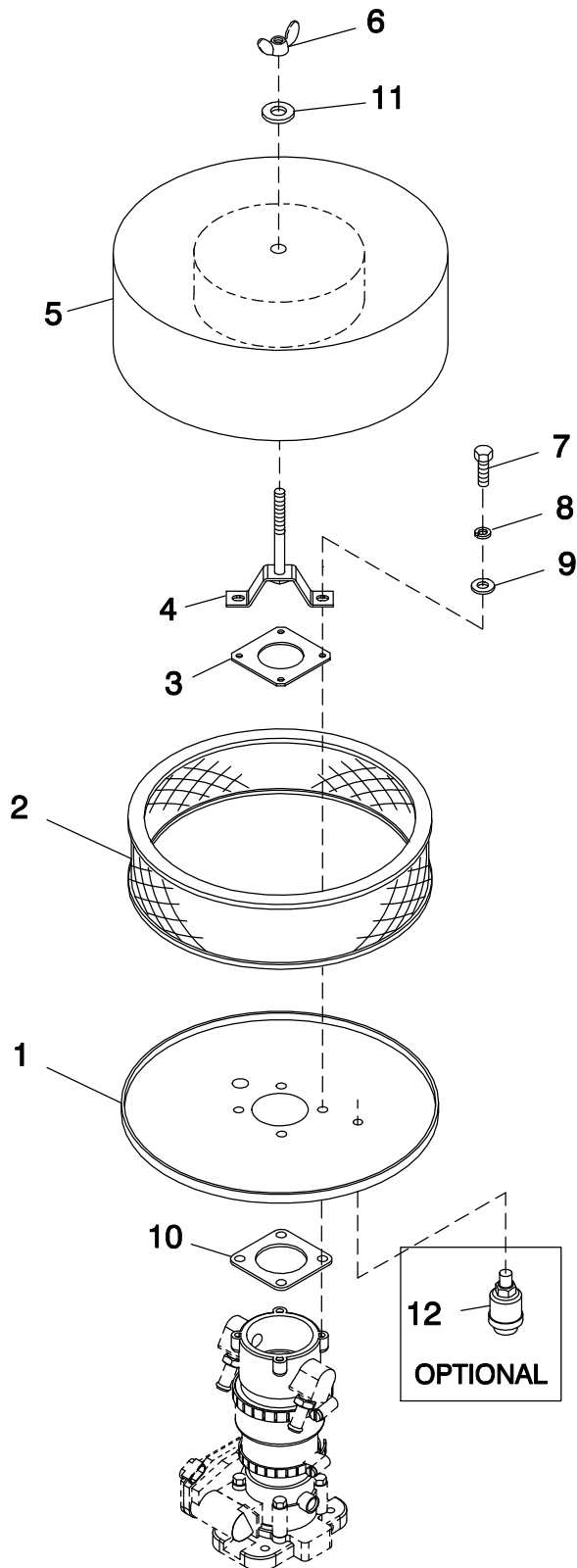
GROUP C

APPLICABLE TO:

| ITEM | PART# | QTY. | DESCRIPTION |
|---------|--------|------|--------------------------------|
| (1)(2)1 | --- | 1/2 | GLAND PLATE |
| (1)2 | 0C2454 | 4/8 | SCREW HWHT M6-1 X 16 N WA Z/JS |

(1) QTY. REQUIRED FOR SINGLE CIRCUIT BREAKER / QTY. REQUIRED FOR DUAL CIRCUIT BREAKER.
(2) SEE BILL OF MATERIALS FOR PART NUMBER.

GROUP D

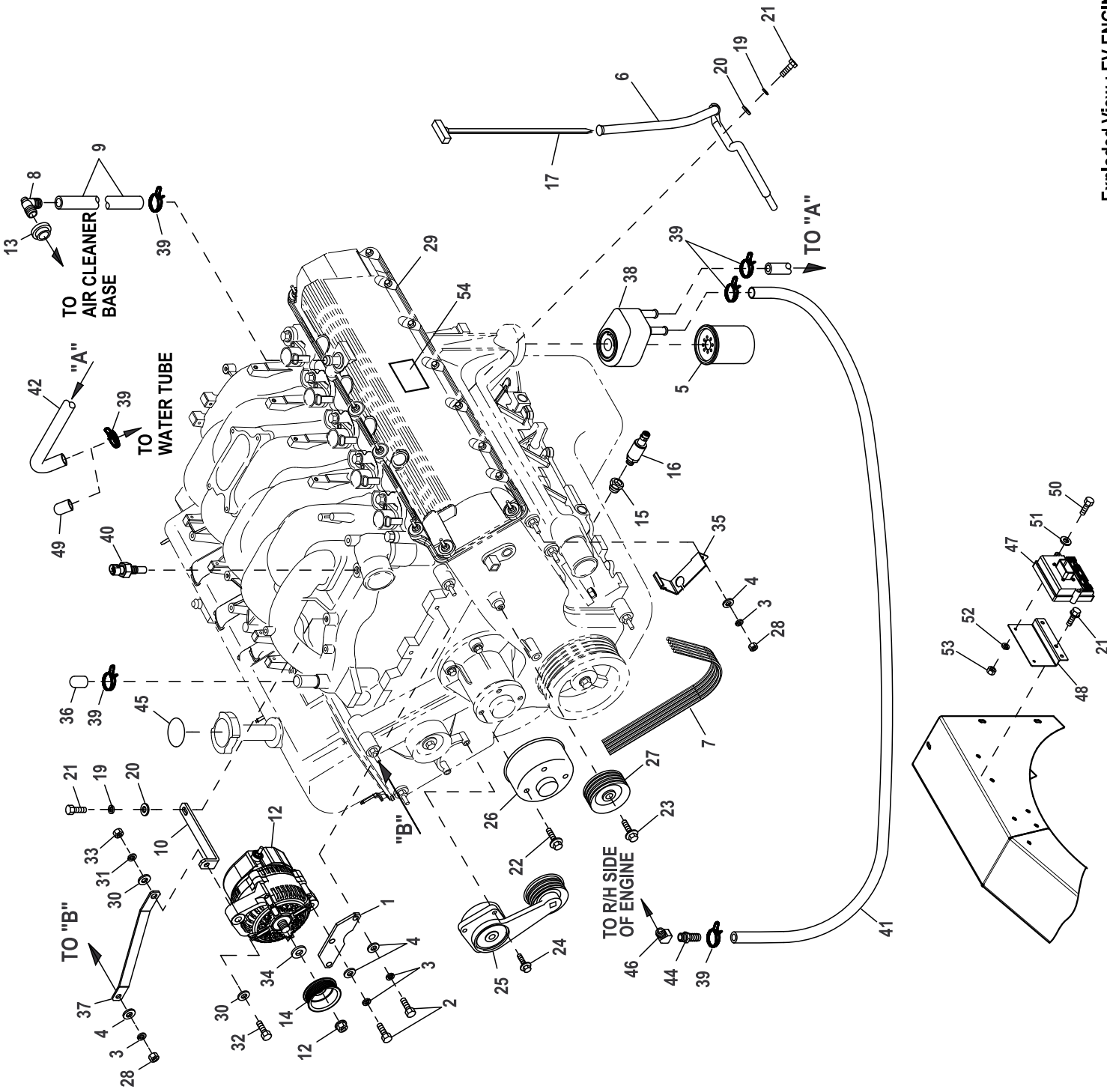


EXPLODED VIEW: AIR CLEANER 5.4L/6.8L FORD**DRAWING #: 0F3569****GROUP D**

APPLICABLE TO:

| ITEM | PART # | QTY. | DESCRIPTION |
|-------------|---------------|-------------|-------------------------------|
| 1 | 0D2513D | 1 | AIR CLNR BTM PLT W/CPLR 8.1L |
| | 0D2513E | 1 | PLATE AIR CLEANER W/COUPLER |
| 2 | 0F5419 | 1 | ELEMENT AIR FILTER |
| 3 | 0F4268 | 1 | TOP PLATE VENTURI |
| 4 | 0F4270A | 1 | HOLD DOWN AIR CLEANER PLATED |
| 5 | 0F6977 | 1 | PLATE AIR CLEAN TOP 5.4L/6.8L |
| 6 | 037561 | 1 | NUT WING 1/4-20 NYLK |
| 7 | 047411 | 4 | SCREW HHC M6-1.0 X 16 G8.8 |
| 8 | 022097 | 4 | WASHER LOCK M6-1/4 |
| 9 | 049811 | 4 | WASHER FLAT M6 |
| 10 | 0F4269 | 1 | GASKET MIXER BODY |
| 11 | 022473 | 1 | WASHER FLAT 1/4-M6 ZINC |
| 12 | 0A4256 | 1 | INDICATOR FILTER MINDER |

GROUP D



EXPLODED VIEW: EV ENGINE COMM PARTS 6.8L L/H

DRAWING #: 0J2563

GROUP D

APPLICABLE TO:

| ITEM | PART# | QTY. | DESCRIPTION |
|----------|---------|----------|---|
| 1 | 0F3017 | 1 | BRACKET,D.C. ALTERNATOR LOWER |
| 2 | 039253 | 3 | SCREW HHC M8-1.25 X 20 G8.8 |
| 3 | 022129 | 5 | WASHER LOCK M8-5/16 |
| 4 | 022145 | 5 | WASHER FLAT 5/16-M8 ZINC |
| (2)5 | 0D5419 | REF | OIL FILTER, FORD V-10 ENGINE |
| (2)6 | 0D7055 | REF | DIPSTICK TUBE, FORD 6.8L |
| 7 | 0D3488G | 1 | BELT SERPENTINE 65.0" (1800 RPM) |
| | 0K1189 | 1 | BELT,GATES DOUBLE SIDED MICROV (3600 RPM) |
| | 0D3488 | 1 | BELT SERPENTINE (67.16" LG) (3000 RPM) |
| | 0D3488J | 1 | SERPENTINE, BELT (65.3" LG) (2300 RPM) |
| 8 | 057795B | 1 | BARBED EL 90 5/8 PLASTIC |
| 9 | 065386 | 1 | HOSE COOL 5/8 ID 100R6 (16.75"LG) |
| 10 | 0F3287 | 1 | BRACKET DC ALTERNATOR UPPER |
| (3)11 | 0H3074 | 1 | HARN ENG G6.8L H-100 CPL EMSN (USE WITH PROBE P/N 0H1827) |
| | 0J7330 | 1 | HARN ENG G6.8L G3 PM-PC CCI (USE WITH PROBE P/N 0H1827) |
| 12 | 0E9868A | 1 | ALTERNATOR DC W/OUT PULLEY |
| 13 | 0G5954 | 1 | GROMMET 15.87 X 31.75 X 11 |
| 14 | 0F3216 | 1 | PULLEY 80 OD DC ALTERNATOR (1800 RPM) |
| | 0F3216A | 1 | PULLEY 102 OD DC ALTERNATOR (2300 RPM) |
| | 0F3216C | 1 | PULLEY 132 OD DC ALTERNATOR (3000 RPM) |
| | 0F3216D | 1 | PULLEY 160 OD DC ALTERNATOR (3600 RPM) |
| 15 | 035579 | 1 | BSHG RDCR HEX 1/4 TO 1/8 |
| 16 | 0F4612 | 1 | SENDER OIL PRESSURE 1/8"NPT |
| (2)17 | 0D6658 | REF | DIPSTICK 6.8L FORD |
| (3)(1)18 | 029333A | 2 | TIE WRAP UL 7.4" X .19" BLK |
| 19 | 022097 | 3 | WASHER LOCK M6-1/4 |
| 20 | 022473 | 3 | WASHER FLAT 1/4 ZINC |
| 21 | 042568 | 5 | SCREW HHC M6-1.0 X 20 G8.8 |
| 22 | 0D8027 | 4 | BOLT WATER PUMP PULLEY |
| 23 | 0D8025 | 1 | BOLT GROOVED IDLER PULLEY |
| 24 | 0D8026 | 3 | BOLT BELT TENSIONER |
| 25 | 0D8030 | 1 | TENSIONER ENG. AUTOMATIC BELT |
| 26 | 0F2846 | 1 | PULLEY WATER PUMP G3 (DIRECT DRIVE) |
| | 0D8029 | 1 | PULLEY ENGINE WATER PUMP (GEAR BOX)(2300RPM, 3000RPM) |
| | 0K1088 | 1 | PULLEY, WATER PUMP 6.8L 150KW (GEAR BOX)(3600RPM) |
| 27 | 0D8028 | 1 | PULLEY GROOVED ENGINE IDLER |
| 28 | 045771 | 2 | NUT HEX M8-1.25 G8 YEL CHR |
| 29 | 0H0923 | REF | ENGINE G6.8L G3 V-10 (2009/10) |
| 30 | 022131 | 2 | WASHER FLAT 3/8-M10 ZINC |
| 31 | 046526 | 1 | WASHER LOCK M10 |
| 32 | 064416 | 1 | SCREW HHC M10-1.5 X 45 G8.8 FT |
| 33 | 045772 | 1 | NUT HEX M10-1.5 G8 YEL CHR |
| 34 | 0F3217 | 1 | SPACER DC ALTERNATOR PULLEY |
| 35 | 0F2776A | 2 | BRACKET SIGNAL CONDITIONER |
| 36 | 0F6151 | 1 | CAP RUBBER (100KW & 130KW) |
| 37 | 0F4308 | 1 | BRACKET DC ALT STABILIZER |
| (4)38 | 0F3158 | 1 | OIL COOLER FORD (150KW 3600RPM) |
| 39 | 0G0015 | 3 / 6(4) | CLAMP HOSE 7/8" OD DOUBLE WIRE |
| 40 | 0E0502 | 1 | TEMPERATURE SENDER, DELPHI |
| (4)41 | 0G0866 | 1 | HOSE OIL COOLER PREFORMED 3/4 (150KW 3600RPM) |
| (4)42 | 0F4301 | 1 | HOSE OIL COOLER (150KW 3600RPM) |
| (3)43 | 0F5512 | 1 | REFLEX WRAP 13MM 13 X 460 |
| (4)44 | 047527 | 1 | BARBED STR 1/2NPT X 3/4 |
| 45 | 0F5114 | 1 | DECAL, REFER TO OWNERS MANUAL |
| (4)46 | 0E8286 | 1 | ELBOW 45D STREET 1/2NPT BRASS |
| 47 | 0F3113 | 1 | ASSY PCB HSB CTRL IGN MODULE |
| 48 | 0F6317 | 1 | MOUNT IGN MODULE |
| 49 | 077996 | 1 | CAP ANTIFREEZE 5/8"ID X 1.2"LG (80/100/130KW) |
| 50 | 036943 | 2 | SCREW PPHM #10/32 X 2 |

EXPLODED VIEW: EV ENGINE COMM PARTS 6.8L L/H

DRAWING #: 0J2563

GROUP D

APPLICABLE TO:

| ITEM | PART# | QTY. | DESCRIPTION |
|------|--------|------|------------------------------|
| 51 | 023897 | 2 | WASHER FLAT #10 ZINC |
| 52 | 022152 | 2 | WASHER LOCK #10 |
| 53 | 022158 | 2 | NUT HEX #10-32 STEEL |
| 54 | 0G9378 | 1 | DECAL SORE EPA CERTIFICATION |
| | 0H0777 | 1 | DECAL LSI EPA CERTIFICATION |

(1) NOTE: I/N 18 IS FOR HOLDING SENSOR TO I/N 35.

(2) NOTE: COMES WITH ENGINE

(3) NOTE: NOT SHOWN

(4) 150KW UNITS ONLY

EXPLODED VIEW: EV ENGINE COMM PARTS 6.8L L/H

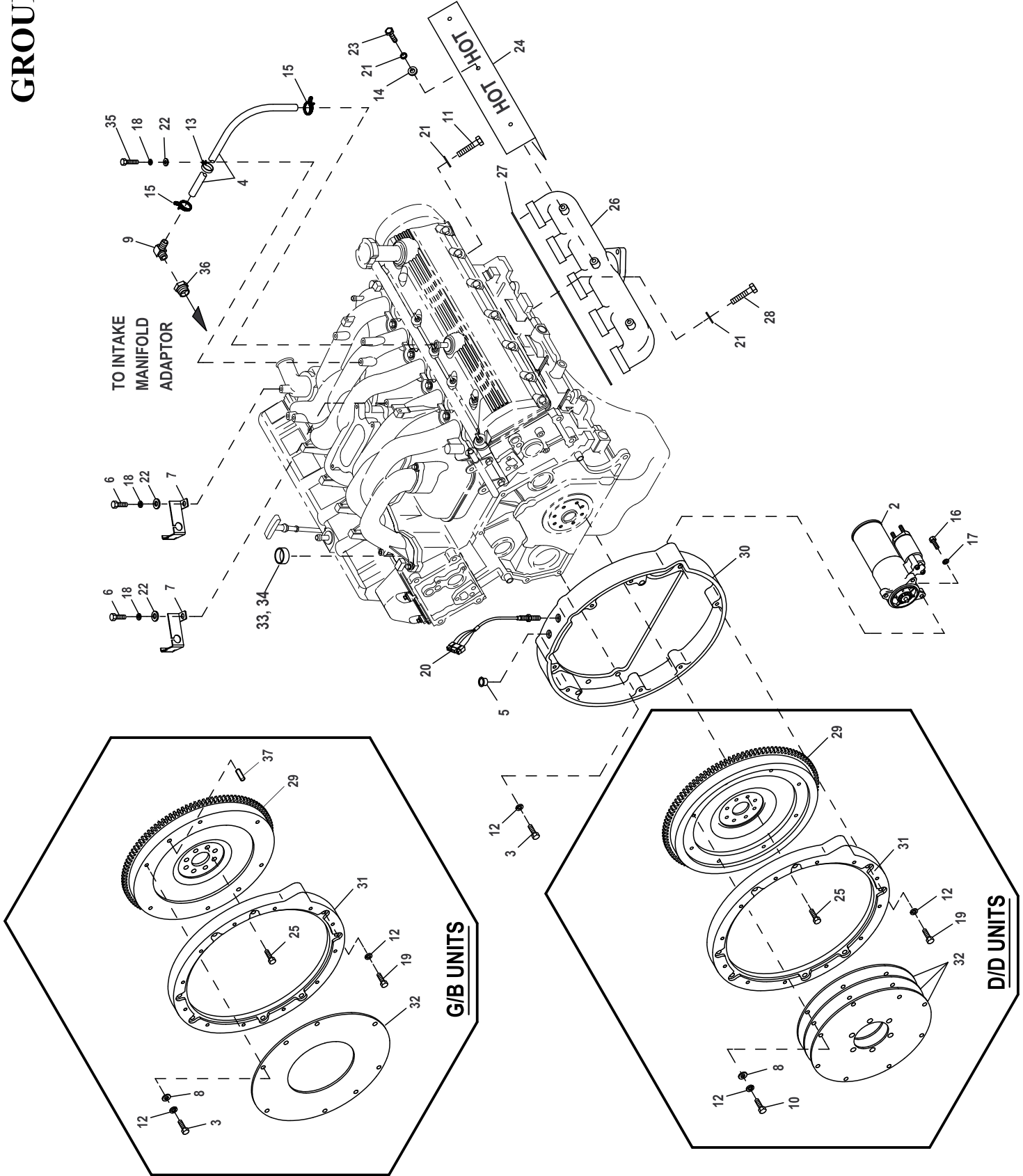
DRAWING #: 0J2563

APPLICABLE TO:

GROUP D

THIS PAGE LEFT INTENTIONALLY BLANK

GROUP D



Exploded View : EV ENGINE COMM PARTS 6.8L R/H
 Drawing No. : 0J2563A

EXPLODED VIEW: EV ENGINE COMM PARTS 6.8L R/H

DRAWING #: 0J2563A

GROUP D

APPLICABLE TO:

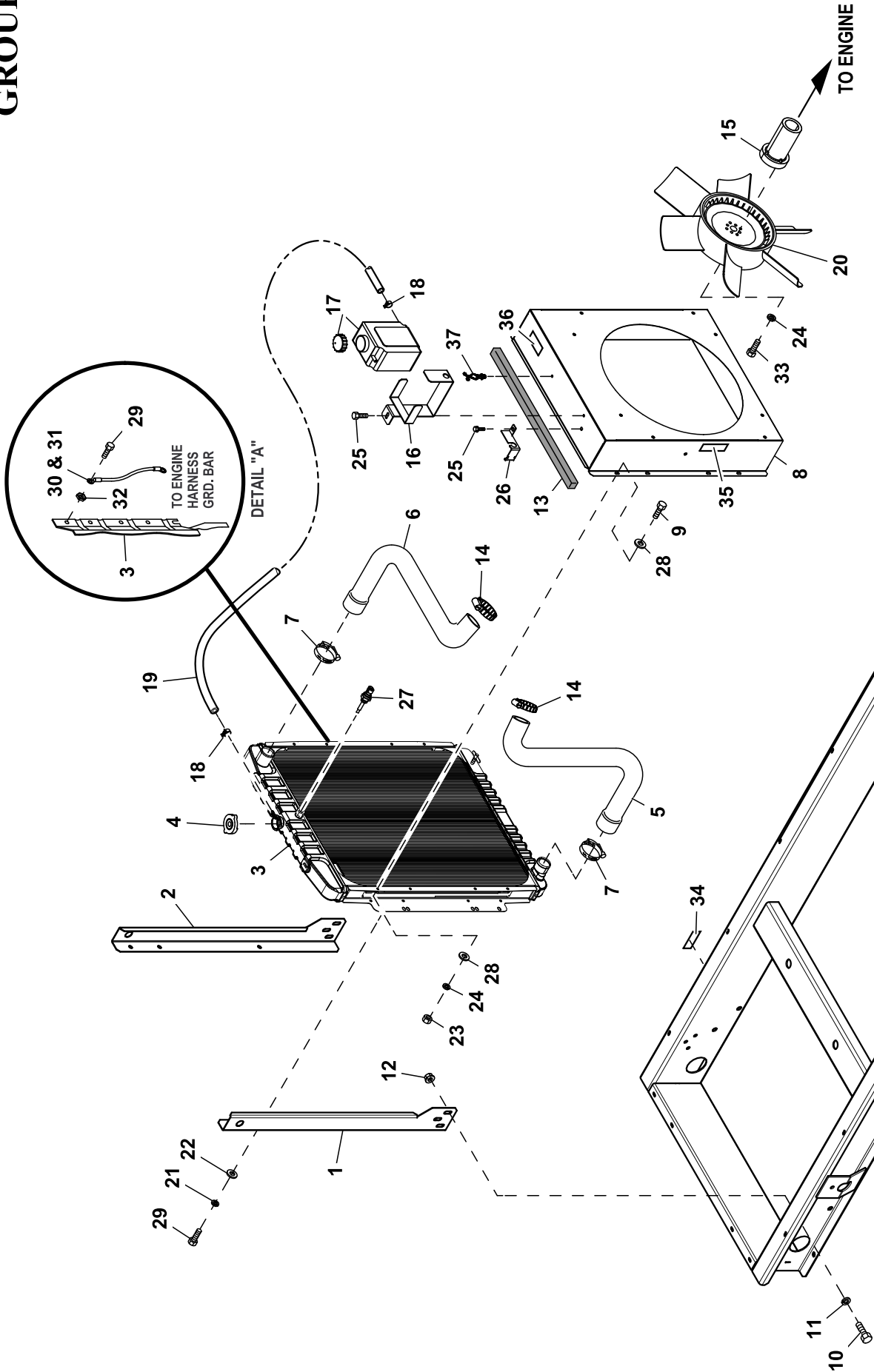
| ITEM | PART# | QTY. | DESCRIPTION |
|-------|---------|-------|--|
| (3)1 | 029333A | 2 | TIE WRAP UL 7.4"X .19" BLK (NOT SHOWN) |
| 2 | 0D5418 | 1 | STARTER MOTOR FORD V-10 ENGINE |
| (1)3 | 052625 | 6/11 | SCREW SHC M10-1.5 X 35 G12.9 |
| 4 | 065386 | 1 | HOSE COOL 5/8 ID 100R6 (14"LG) |
| 5 | 087599 | 1 | PLUG PLASTIC 3/8 NPT |
| 6 | 042568 | 2 | SCREW HHC M6-1.0 X 20 G8.8 |
| 7 | 0F2776A | 2 | BRACKET, SIGNAL CONDITIONER |
| (1)8 | 022131 | 8/6 | WASHER FLAT 3/8-M10 ZINC |
| 9 | 034339 | 1 | BARBED EL 90 3/8NPT X 5/8 |
| 10 | 052648 | 8 | SCREW SHC M10-1.5 X 20 G12.9 |
| 11 | 0D9913 | 18 | SCREW SHC M8-1.25 X 35 SS |
| (1)12 | 046526 | 21/19 | WASHER LOCK M10 |
| 13 | 055934M | 1 | CLAMP VINYL .75 X .343 Z |
| 14 | 070008 | 10 | WASHER FLAT M8 SS |
| 15 | 0G0015 | 2 | CLAMP HOSE 7/8" OD DOUBLE WIRE |
| 16 | 049821 | 3 | SCREW SHC M8-1.25 X 30 G12.9 |
| 17 | 022129 | 3 | WASHER LOCK M8-5/16 |
| 18 | 022097 | 3 | WASHER LOCK M6-1/4 |
| 19 | 052647 | 8 | SCREW SHC M10-1.5 X 25 G12.9 |
| 20 | 0D2244M | 1 | ASSEMBLY MAGPICKUP (3/8-24 MALE) |
| 21 | 070006 | 30 | WASHER LOCK M8 SSTL |
| 22 | 022473 | 3 | WASHER FLAT 1/4 ZINC |
| 23 | 0D2608 | 10 | SCREW HHC 5/16-18 X 1/2 SSTL |
| 24 | 0D5623 | 2 | HEAT SHIELD EXHAUST |
| 25 | 0D5417 | REF | SCREW HHC M10-1.0 X 25 G10.9 |
| (2)26 | 0D3808 | 2 | EXH MANIFOLD MACH 6.8L V-10 |
| 27 | 0D4255 | 2 | GASKET EXHAUST MANIFOLD |
| 28 | 070010 | 2 | SCREW HHC M8-1.25 X 35 SS G8.8 |
| 29 | 0D6344 | 1 | ASSEMBLY 6.8L FLYWHEEL (D/D UNITS) |
| | 0D6686 | 1 | ASSY 6.8L G-BOX FLYWHEEL (G/B UNITS) |
| 30 | 0D3803 | 1 | FLYWHEEL HOUSING MACH 6.8L V10 |
| 31 | 0D3805 | 1 | COVER FLYWHEEL MACH 6.8L V-10 |
| 32 | 0A8240 | 3 | FLEX PLATE SAE10 2.2 |
| | 021113 | 1 | PLATE, DAMPNER RETNR |
| 33 | 0E0992A | 10 | PLUG EXPANSION 14 OD |
| 34 | 078637 | A/R | ADHESIVE LOCTITE 620 |
| 35 | 047411 | 1 | SCREW HHC M6-1.0 X 16 G8.8 |
| 36 | 062303 | 1 | ADAPTOR 1/4" NPT TO 3/8" NPT |
| (1)37 | 048191 | 0 / 2 | DOWEL PIN M10 X 24 |

(1) QTY. REQUIRED FOR DIRECT DRIVE / QTY. REQUIRED FOR GEAR BOX

(2) MANIFOLD IS FLIPPED FOR 150KW UNITS OR NON-ENCLOSED.

(3) 029333A IS FOR HOLDING SENSOR TO I/N 7.

GROUP D



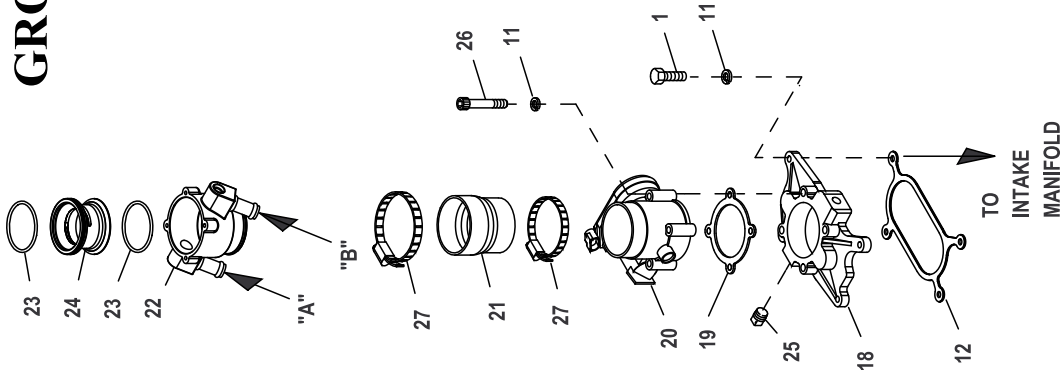
EXPLODED VIEW: EV B GROUP COOLING SYSTEM**DRAWING #: 0J2567****GROUP D****APPLICABLE TO:**

| ITEM | PART# | QTY. | DESCRIPTION |
|------|-------------|------|--------------------------------|
| (1)1 | OJ06070ST0R | 1 | RADIATOR SUPPORT LH 6.8L |
| (1)2 | OJ06060ST0R | 1 | RADIATOR SUPPORT RH 6.8L |
| 3 | 0G1286A | 1 | RADIATOR, R/H-IN L/H-OUT |
| 4 | 046627 | 1 | CAP RADIATOR 14PSI |
| 5 | 0D3520 | 1 | HOSE, LOWER RADIATOR |
| 6 | 0D3521 | 1 | HOSE, UPPER RADIATOR |
| 7 | 042561 | 2 | CLAMP HOSE #36 1.88 - 2.75 |
| (1)8 | OJ06270ST0R | 1 | ASSY VENTURI 6.8L B/C-GRP |
| 9 | 042907 | 8 | SCREW HHC M8-1.25 X 16 C8.8 |
| 10 | 051768 | 6 | SCREW HHC M12-1.75 X 25 C8.8 |
| 11 | 049808 | 6 | WASHER FLAT M12 |
| 12 | 052860 | 6 | NUT TOP LOCK FL M12-1.75 |
| 13 | 052250 | 2 | TAPE FOAM 1 X 1 (27"LG) |
| 14 | 035685 | 2 | CLAMP HOSE #28 1.32-2.25 |
| 15 | 0D2149 | 1 | SPACER, FAN 6.8L |
| 16 | 0D7975 | 1 | WATER BOTTLE BRACKET |
| 17 | 076749 | 1 | TANK COOLANT RECOVERY |
| 18 | 048031C | 2 | CLAMP HOSE BAND 1/4 |
| 19 | 029032 | 1 | HOSE 9/32 ID (31"LG) |
| 20 | 0D3293A | 1 | FAN, COOLING 22" DIA KYSOR |
| 21 | 046526 | 6 | WASHER LOCK M10 |
| 22 | 022131 | 6 | WASHER FLAT 3/8-M10 ZINC |
| 23 | 045771 | 8 | NUT HEX M8-1.25 G8 CLEAR ZINC |
| 24 | 022129 | 20 | WASHER LOCK M8-5/16 |
| 25 | 0C2454 | 2 | SCREW HWHT M6-1 X 16 N WA Z/JS |
| 26 | 0F2776A | 1 | BRACKET, SIGNAL CONDITIONER |
| 27 | 0H1827 | 1 | PROBE COOLANT LEVEL 3/8-18NPTF |
| 28 | 022145 | 8 | WASHER FLAT 5/16-M8 ZINC |
| 29 | 049814 | 7 | SCREW HHC M10-1.5 X 25 C8.8 |
| 30 | 0G7895B | 1 | HARN RADIATOR GND 46" |
| 31 | 077043H | 1 | CONDUIT FLEX .25"ID (46"LG) |
| 32 | 0A4456 | 1 | WASHER LOCK SPECIAL 3/8 |
| 33 | 022142 | 4 | SCREW HHC 5/16-18 X 3/4 G5 |
| 34 | 050276 | 1 | DECAL RADIATOR DRAIN |
| 35 | 0G3269 | 2 | DECAL WARNING FAN BI |
| 36 | 0G3266 | 1 | DECAL WARNING COOLANT EGLY BI |
| 37 | 0H3852 | 1 | HOSE HOLDER PLASTIC (.4-.5 ID) |

(1) SHEET METAL PARTS LISTED IN THE BOM TABLE ARE REPRESENTING GENERIC PARTS (NO COLOR).

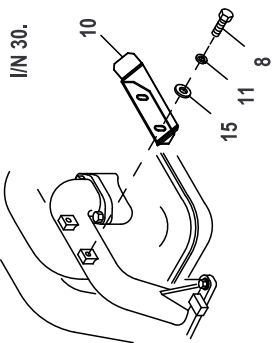
- MANUFACTURING: FOR CORRECT MATERIAL AND COLOR REFER TO AS400 BOM.
- CUSTOMER: FOR CORRECT MATERIAL AND COLOR OF REPLACEMENT PARTS REFER TO "REPLACEMENT SHEET METAL PARTS ORDERING GUIDE-0H7169" INCLUDED IN THE MANUAL OR AVAILABLE ON THE GENERAC WEBSITE.

GROUP E

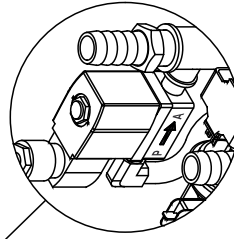
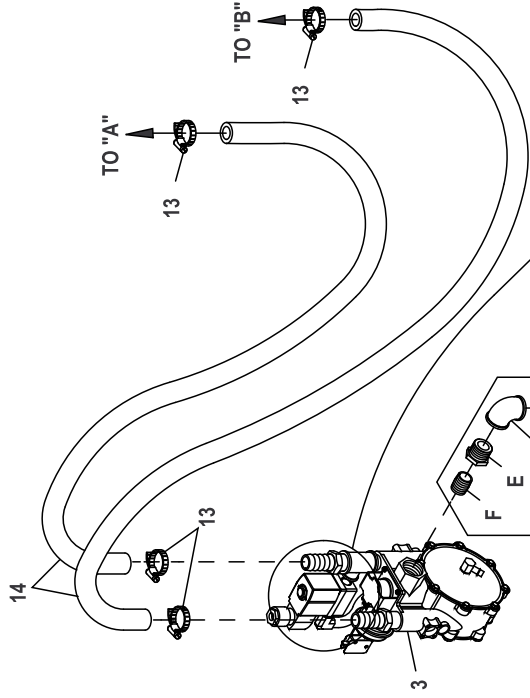


NOTE:
HOSES (I/N 14)
ROUTED TO LAY ON
I/N 30.

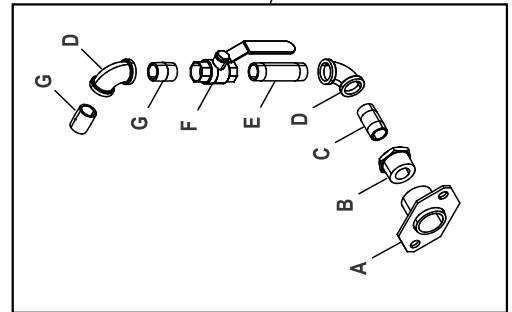
INTAKE
MANIFOLD



CONNECT TO
ENGINE HARNESS



IMPORTANT
SOLENOID MUST BE
INSTALLED WITH FLOW
ARROW POINTING IN
DIRECTION SHOWN IN
DETAIL ABOVE.



ALTERNATE
ASSEMBLY
P/N 0J3809

EXPLODED VIEW: EV FUELSYS G6.8L G3 NG & LPV

DRAWING #: 0H6703

GROUP E

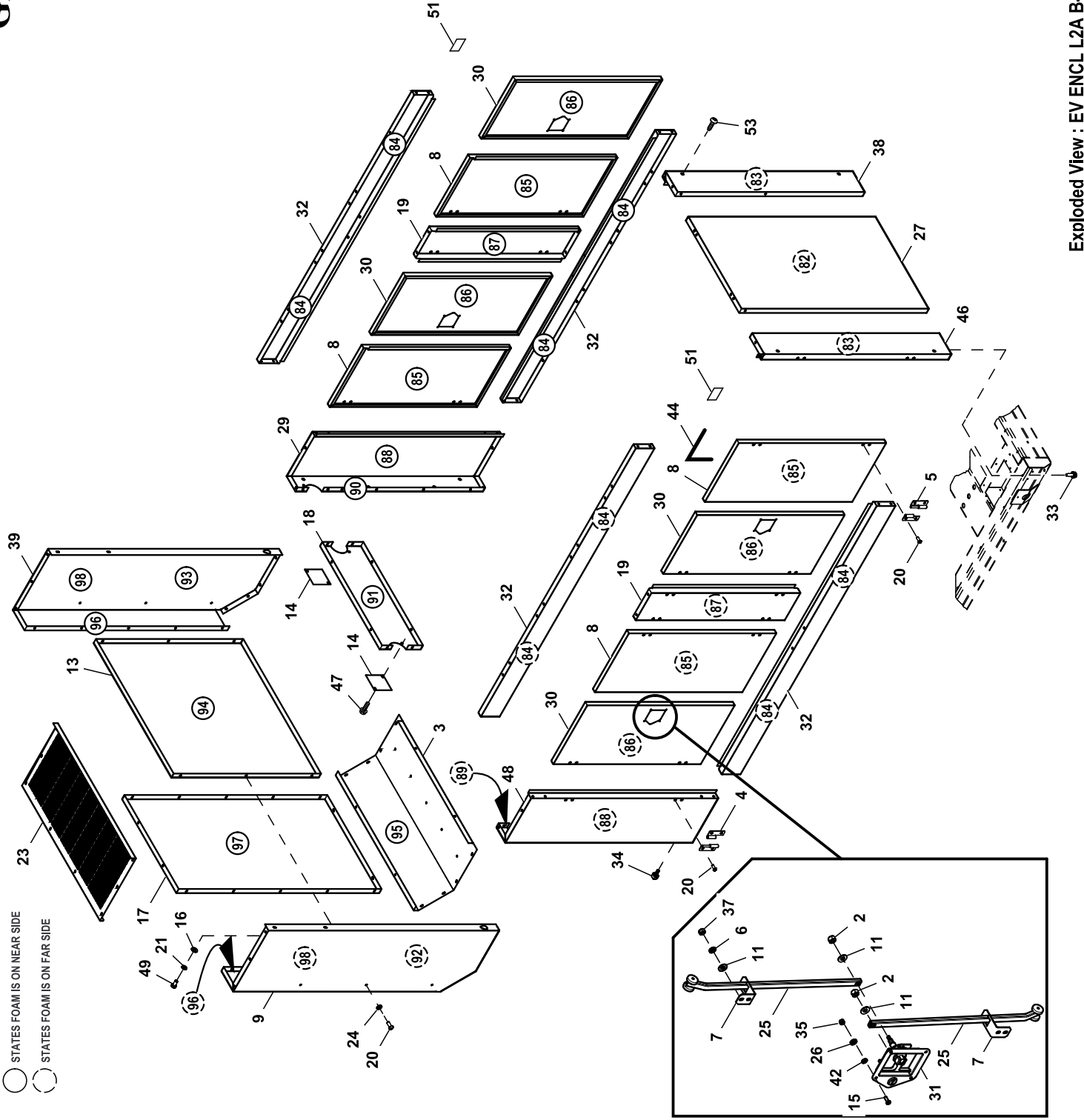
| ITEM | PART# | QTY. | DESCRIPTION |
|-------|-------------|------|---------------------------------|
| 1 | 049721 | 4 | SCREW HHC M6-1.0 X 35 C8.8 BLK |
| 2 | 0H5093 | 1 | ASSY RGLTR INLET NPT FITTINGS |
| A | 065908 | 1 | SUPPORT NAT GAS SOLENOID |
| B | 039130 | 1 | NIPPLE CLOSE 1.25NPT X 1.625 |
| C | 030131 | 2 | ELBOW 90D 1-1/4 NPT |
| D | 088963 | 1 | NIPPLE PIPE 1.25NPTX5.5 BL IRN |
| E | 0A8064 | 1 | BSHG RDCR HEX 1-1/4-3/4 |
| F | 026915 | 1 | NIPPLE CLOSE 3/4 X 1.375 |
| 2 | 0J3809 | 1 | ASSY RGLTR INLET NPT FITTINGS |
| A | 065908 | 1 | SUPPORT NAT GAS SOLENOID |
| B | 0A8064 | 1 | BSHG RDCR HEX 1-1/4-3/4 |
| C | 026490 | 1 | NIPPLE PIPE 3/4NPT X 2 |
| D | 026812 | 2 | ELBOW 90D 3/4NPT |
| E | 035589 | 1 | NIPPLE PIPE 3/4 NPT X 3-1/2 |
| F | 0J3858C | 1 | BALL VALVE, 3/4" NPT |
| G | 026915 | 2 | NIPPLE CLOSE 3/4 X 1.375 |
| 3 | 0G8598A | 1 | REGULATOR ASSY 6.8L 60KW LPV |
| | 0G8598B | 1 | REGULATOR ASSY 6.8L 70KW NG |
| | 0G8598C | 1 | REGULATOR ASSY 6.8L 50/70 LPV |
| | 0G8598D | 1 | REGULATOR ASSY 6.8L 50KW NG |
| 4 | 052617 | 2 | SCREW HHC M12-1.75 X 20 C8.8 |
| 5 | 022304 | 2 | WASHER FLAT 1/2 ZINC |
| 6 | 051769 | 2 | WASHER LOCK M12 |
| 7 | 045773 | 2 | NUT HEX M12-1.75 G8 YEL CHR |
| 8 | 042568 | 2 | SCREW HHC M6-1.0 X 20 C8.8 |
| 9 | 0F6155 | 1 | HARNES,FUEL JUMPER SINGLE REG |
| (1)10 | 0G46350ST0R | 1 | BRACKET, HOSE RISER |
| 11 | 022097 | 10 | WASHER LOCK M6-1/4 |
| 12 | 0D2698 | 1 | GASKET ADAPTER THROT BODY |
| 13 | 057823 | 4 | CLAMP HOSE #10 .56-1.06 |
| 14 | 059057 | 2 | HOSE 3/4 ID SAE-30R2 (40.5" LG) |
| 15 | 049811 | 2 | WASHER FLAT M6 |
| 18 | 0J7476 | 1 | ADAPTOR THROTTLE BODY |
| 19 | 0E4390 | 1 | GASKET, GOVERNOR ACTUATOR |
| 20 | 0E4392 | 1 | ACTUATOR BOSCH 60, GOVERNOR |
| 21 | 0F0960 | 1 | REDUCER 3.0" TO 2.75" TURBO |
| 22 | 0F3885 | 1 | MIXER, 40/60MM ACTUATOR ASSY |
| 23 | 0G3167 | 2 | O-RING 2-3/4 X 3/32 X 2-15/16 |
| 24 | 0F3691B | 1 | VENTURI, THROTTLE 36MM |
| 25 | 026073A | 1 | PLUG STD PIPE 1/4 STEEL SQ HD |
| 26 | 0D2157 | 4 | SCREW SHC M6-1.0 X 50 C8.8 |
| 27 | 039294 | 2 | CLAMP HOSE #44 2.31-3.25 |
| 28 | 050279A | 1 | DECAL FUEL INLET NG 1 1/4" NPT |
| 29 | 0D1509 | 1 | DECAL INLET PRESSURE |

NOTES (UNLESS OTHERWISE SPECIFIED):

(1) SHEET METAL PARTS LISTED IN THE BOM TABLE ARE REPRESENTING GENERIC PARTS (NO COLOR)

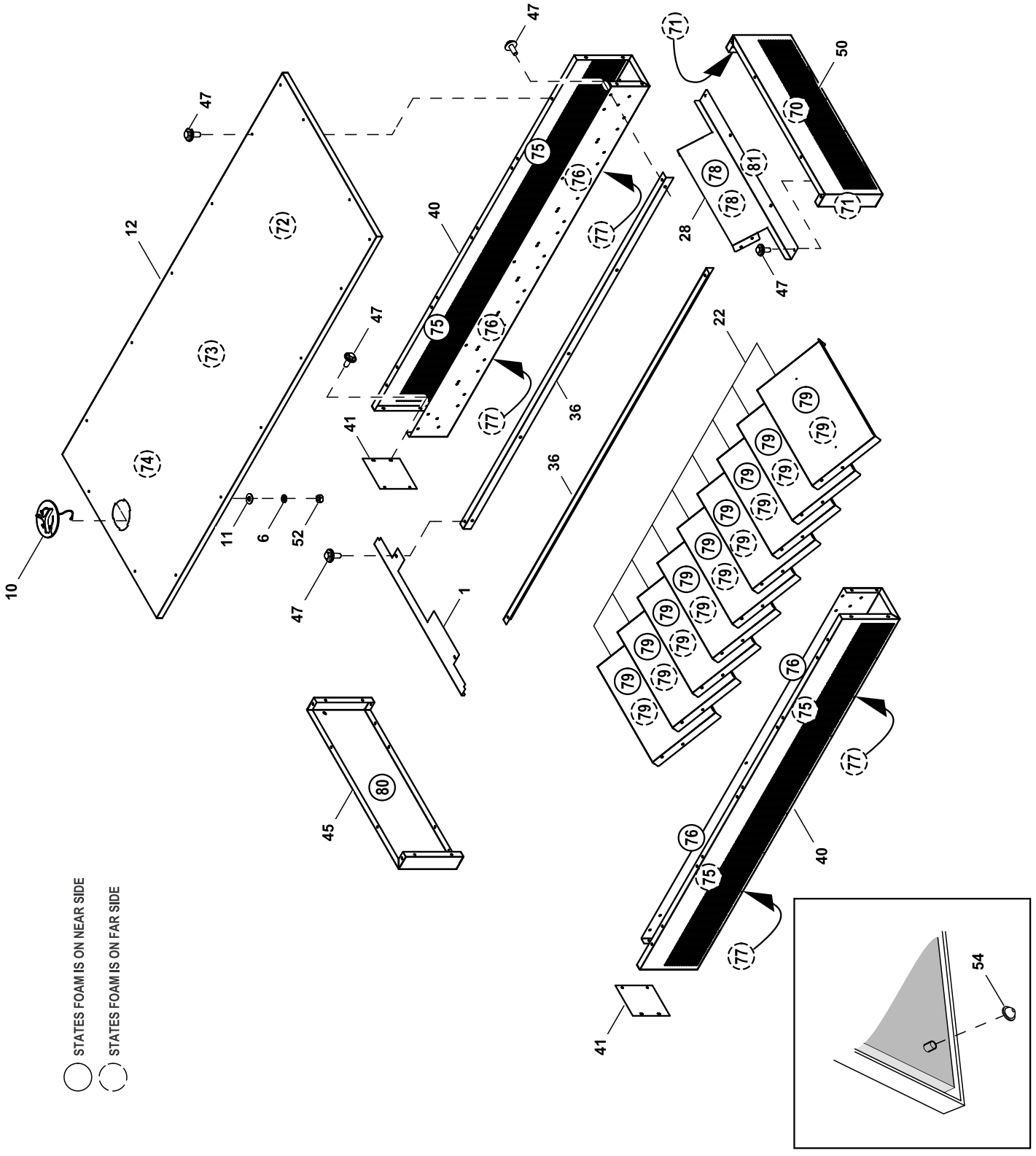
- MANUFACTURING: FOR CORRECT MATERIAL AND COLOR REFER TO AS400 BOM.
- CUSTOMER: WHEN ORDERING REPLACEMENT PARTS ENTER BASE NUMBER (FIRST 6 DIGITS ONLY) IN THE SYSTEM FOR CORRECT MATERIAL AND COLOR (FOR REFERENCE SEE GUIDELINE 0H7169).

GROUP F



Exploded View : EV ENCL L2A B-GRP
Drawing No. : 0J1936

GROUP F



- STATES FOAM IS ON NEAR SIDE
- STATES FOAM IS ON FAR SIDE

TYPICAL INSTALLATION OF ROOFTOP INSULATION ONLY

Revision : J-3773-D
Date : 1/9/13

EXPLODED VIEW: EV ENCL L2A B-GRP

DRAWING #:0J1936

GROUP F

| ITEM | PART# | QTY. | DESCRIPTION |
|-------|-------------|------|-----------------------------------|
| (1)1 | 0F07740ST0R | 1 | BLOCK OFF FRONT OVERHD |
| 2 | 027529 | 8 | NUT HEX LOCK 1/4-20 NY INS |
| (1)3 | 0C33350ST0R | 1 | DUCT BOTTOM RAW |
| 4 | 0C3594 | 8 | ASSY M6 HINGE R/H |
| 5 | 0C3594A | 8 | ASSY M6 HINGE L/H |
| 6 | 022097 | 16 | WASHER LOCK M6-1/4 |
| (1)7 | 0J16010ST0R | 8 | BRACKET, ROD GUIDE |
| (1)8 | 0J15810ST0R | 4 | DOOR RH SOLID |
| (1)9 | 0F07060ST0R | 1 | DUCT FRONT LH RAW |
| 10 | 0C2634A | 1 | ASSY ACCESS COVER |
| 11 | 022473 | 16 | WASHER FLAT 1/4-M6 ZINC |
| (1)12 | 0J20370AL0R | 1 | ASSY, ROOF B-GRP |
| (1)13 | 0F04770ST0R | 1 | BARRIER DUCT INSIDE FRT RAW |
| (1)14 | 0C34000ST0R | 2 | COVER EXHAUST RAW |
| 15 | 0C6749 | 16 | SCREW PPHM M4-0.7 X 12 SS |
| 16 | 022145 | 4 | WASHER FLAT 5/16-M8 ZINC |
| (1)17 | 0F07080ST0R | 1 | DUCT,FRONT PANEL |
| (1)18 | 0J11680ST0R | 1 | BRACE FRONT TOP |
| (1)19 | 0H98270ST0R | 2 | CENTER SUPPORT DOORS B-GRP |
| 20 | 0A3359 | 70 | SCREW BHSC M6-1.0 X 16 SS |
| 21 | 022129 | 4 | WASHER LOCK M8-5/16 |
| (1)22 | 0F01530ST0R | 9 | SPLITTER RAW |
| (1)23 | 0F12060AL0R | 1 | DUCT FRONT TOP SLOTTED L2A |
| 24 | 027958 | 6 | WASHER NYLON .260 |
| 25 | 0J0993A | 8 | ROLLER ROD, T-HANDLE |
| 26 | 080490 | 16 | WASHER FLAT #8 SS |
| (1)27 | 0H98250ST0R | 1 | CENTER PANEL REAR |
| (1)28 | 0J35670ST0R | 1 | INTAKE OVERHEAD REAR BAFFLE |
| (1)29 | 0H98150ST0R | 1 | CORNER POST RH FRONT |
| (1)30 | 0J15800ST0R | 4 | DOOR LH SOLID |
| 31 | 0J0992 | 4 | T-HANDLE, 2-POINT DBL DOOR |
| (1)32 | 0H98260ST0R | 4 | BRACE SIDE TOP & BOTTOM |
| 33 | 0E3257 | 11 | SCREW HWHTF M6-1.0 X 16 |
| 34 | 0C3393 | 2 | SCREW SHOULDER M8-1.25 X 20 |
| 35 | 0C6748 | 16 | NUT HEX LOCK M4-0.7 SS NYL INS |
| (1)36 | 0F07620ST0R | 2 | ANGLE,WATER DEFLECTOR |
| 37 | 049813 | 16 | NUT HEX M6-1.0 G8 CLEAR ZINC |
| (1)38 | 0H98160ST0R | 1 | CORNER POST RH REAR |
| (1)39 | 0F07070ST0R | 1 | DUCT FRONT RH RAW |
| (1)40 | 0H11530ST0R | 2 | INTAKE, OVERHEAD MODULE SIDE |
| (1)41 | 0F12540ST0R | 2 | END CAP OVERHD MOD SIDE_INST |
| 42 | 022769 | 4 | WASHER LOCK INT #10 |
| 43 | 066760 | 1 | STRIP SEALANT 1/8 X 1 (NOT SHOWN) |
| 44 | 0A9881 | 1 | TRIM VINYL SEAL |
| (1)45 | 0F00480ST0R | 1 | INTAKE OVERHEAD MODULE |
| (1)46 | 0H98180ST0R | 1 | CORNER POST LH REAR |
| 47 | 0C2454 | 173 | SCREW HWHT M6-1 X 16 N WA Z/JS |
| (1)48 | 0H98130ST0R | 1 | CORNER POST LH FRONT |
| 49 | 042907 | 4 | SCREW HHC M8-1.25 X 16 C8.8 |
| (1)50 | 0J35660ST0R | 1 | INTAKE OVERHEAD MODULE REAR |
| 51 | 0E7222 | 2 | RAIN SHIELD,DOOR JAMB |
| 52 | 022127 | 1 | NUT HEX 1/4-20 STEEL |
| 53 | 0C3397 | 4 | SCREW RATCHET BLK NYLON |
| 54 | 078115B | 12 | WASHER SELF LOCKING BLK #4-40 |

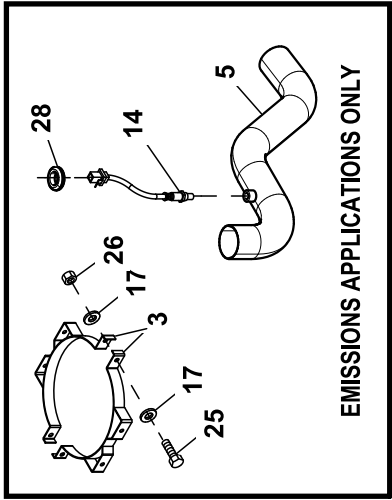
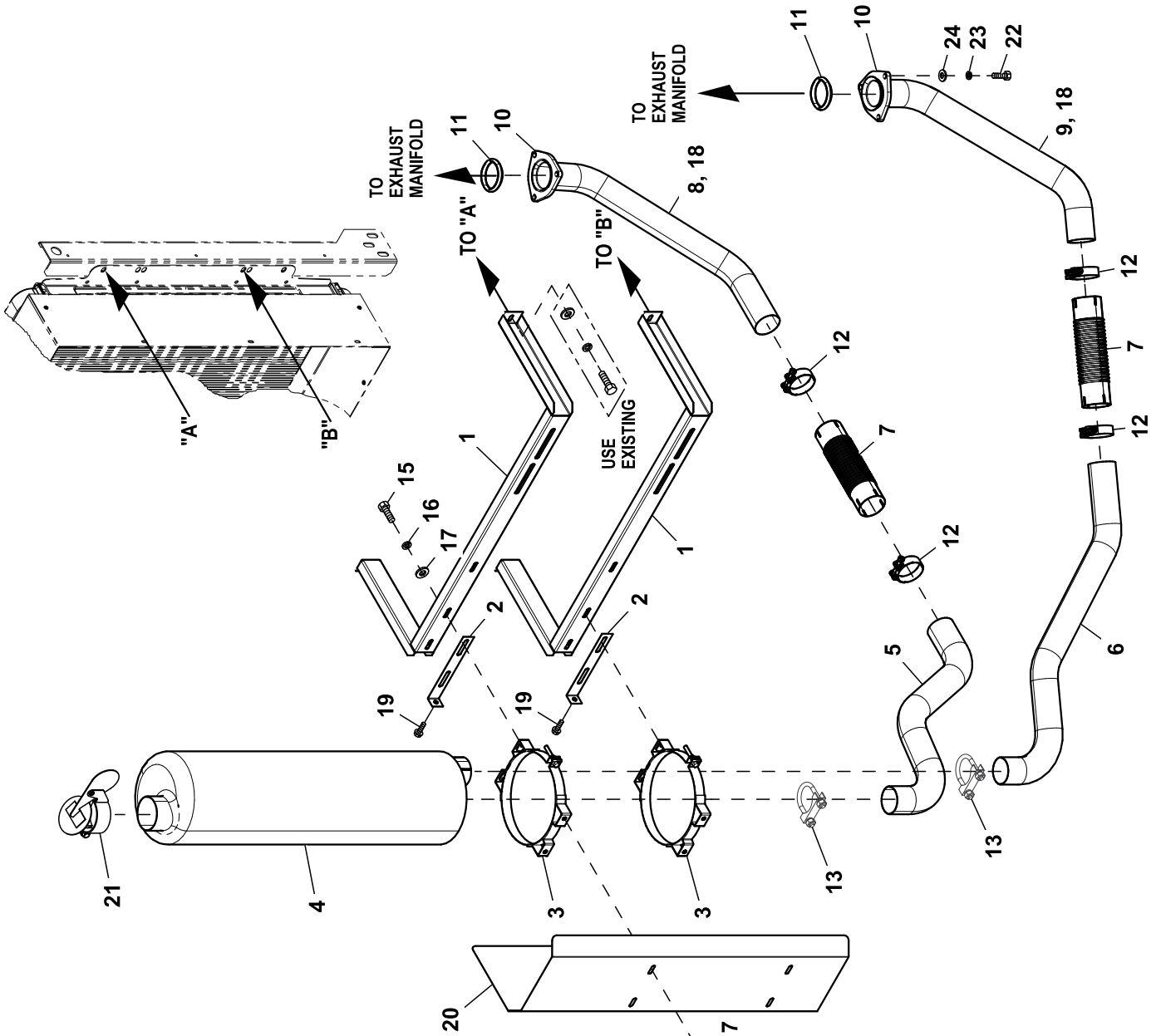
EXPLODED VIEW: EV ENCL L2A B-GRP**DRAWING #:0J1936****GROUP F**

| ITEM | PART# | QTY. | DESCRIPTION |
|-------------|--------------|-------------|--------------------------------|
| 70 | 0K0328AJ | 1 | INSULATION OVRHD MDL REAR |
| 71 | 0K0328AK | 2 | INSULATION OVRHD MDL REAR |
| 72 | 0K0328AL | 1 | INSULATION ROOF |
| 73 | 0K0328AM | 1 | INSULATION ROOF |
| 74 | 0K0328AN | 1 | INSULATION ROOF |
| 75 | 0K0328AH | 4 | INSULATION OVRHD MDL SIDE |
| 76 | 0K0328AP | 4 | INSULATION OVRHD MDL SIDE |
| 77 | 0K0328BF | 4 | INSULATION OVRHD MDL BTM |
| 78 | 0K0328AQ | 2 | INSULATION OVRHD MDL SPLITTER |
| 79 | 0K0328AR | 18 | INSULATION OVRHD MDL SPLITTER |
| 80 | 0K0328AT | 1 | INSULATION OVRHD MDL FRONT |
| 81 | 0J1765BN | 1 | INSULATION OVRHD MDL BTM |
| 82 | 0J1765AV | 1 | INSULATION REAR CTR PANEL |
| 83 | 0J1765AU | 2 | INSULATION REAR CORNER POST |
| 84 | 0J1765AS | 8 | INSULATION BTM SIDE BRACE |
| 85 | 0J1765W | 4 | INSULATION RH DOOR SOLID |
| 86 | 0J1765V | 4 | INSULATION LH DOOR SOLID |
| 87 | 0J1765AT | 2 | INSULATION CTR DOOR SPT |
| 88 | 0J1765BY | 2 | INSULATION FRONT CORNER POST |
| 89 | 0J1765BZ | 1 | INSULATION FRONT CORNER POST |
| 90 | 0J1765CA | 1 | INSULATION FRONT CORNER POST |
| 91 | 0J1765CB | 1 | INSULATION FRONT CENTER PANEL |
| 92 | 0J1765AX | 1 | INSULATION FRONT DUCT LH SIDE |
| 93 | 0J1765AY | 1 | INSULATION FRONT DUCT RH SIDE |
| 94 | 0J1765AW | 1 | INSULATION FRONT DUCT INSD PNL |
| 95 | 0J1765BA | 1 | INSULATION FRONT DUCT BOTTOM |
| 96 | 0J1765BB | 2 | INSULATION FRONT DUCT |
| 97 | 0J1765AZ | 1 | INSULATION FRONT DUCT CTR PNL |
| 98 | 0J1765CJ | 2 | INSULATION FRONT DUCT |

NOTES (UNLESS OTHERWISE SPECIFIED):**(1) SHEET METAL PARTS LISTED IN THE BOM TABLE ARE REPRESENTING GENERIC PARTS (NO COLOR)**

- **MANUFACTURING:** FOR CORRECT MATERIAL AND COLOR REFER TO AS400 BOM.
- **CUSTOMER:** WHEN ORDERING REPLACEMENT PARTS ENTER BASE NUMBER (FIRST 6 DIGITS ONLY) IN THE SYSTEM FOR CORRECT MATERIAL AND COLOR (FOR REFERENCE SEE GUIDELINE 0H7169).

GROUP F



EXPLODED VIEW: EV EXHAUST 6.8L B-GRP**DRAWING #: 0J4241****GROUP F****APPLICABLE TO:**

| ITEM | PART# | QTY. | DESCRIPTION |
|-------------|--------------|-------------|--|
| (1)1 | 0J42710ST0R | 2 | ASSY, 6.8L B-GRP EXHAUST BRACE |
| 2 | 0C4170 | 2 | BRKT, EXHAUST SHIELD |
| 3 | 0C4114 | 2 | CLAMP MUFFLER BAND |
| | (2)0D5061A | 4 | MOUNTING BAND, CATALYST |
| 4 | 0D3522 | 1 | MUFFLER, 6.8L DIRECT DRIVE |
| | (2)0D5026 | 1 | CATALYST MUFFLER, 6.8L B-GRP |
| 5 | 0D3651 | 1 | TUBE,R/H EXHAUST MUFFLER INLET |
| | (2)0D3651A | 1 | TUBE R/H EXH MFLR INLET W/O2 S |
| 6 | 0D3650 | 1 | TUBE,L/H EXHAUST MUFFLER INLET |
| 7 | 0A5215B | 2 | FLEX PIPE 2.5" |
| 8 | 0D3649A | 1 | TUBE, R/H EXHAUST MANIFOLD |
| 9 | 0D3648 | 1 | TUBE, L/H EXHAUST MANIFOLD |
| 10 | 0D3159 | 2 | FLANGE, EXHAUST |
| 11 | 0A6765 | 2 | RING GASKET 2.5DIA |
| 12 | 0C3433A | 4 | CLAMP BAND 2.5" |
| 13 | 080762 | 2 | BOLT U 3/8-16 X 2.62 |
| (2)14 | 0F9071 | 1 | SENSOR OXYGEN |
| 15 | 042907 | 8 | SCREW HHC M8-1.25 X 16 C8.8 |
| 16 | 022129 | 8 | WASHER LOCK M8-5/16 |
| 17 | 022145 | 8 | WASHER FLAT 5/16-M8 ZINC |
| | (2)022145 | 16 | WASHER FLAT 5/16-M8 ZINC |
| 18 | 0F2773A | 2 | EXHAUST BLANKET 1130MM LONG |
| 19 | 090388 | 2 | SCREW HHTT M6-1.0 X 12 ZINC |
| 20 | 0J4402 | 1 | HEAT SHIELD B-GRP |
| 21 | 059902 | 1 | RAIN CAP 3.00 / 3.19 |
| 22 | 0A7387 | 6 | SCREW HHC M10-1.5 X 40 C10.9 |
| 23 | 046526 | 6 | WASHER LOCK M10 |
| 24 | 022131 | 6 | WASHER FLAT 3/8-M10 ZINC |
| (2)25 | 051730 | 4 | SCREW HHC M8-1.25 X 60 C8. |
| (2)26 | 049820 | 4 | NUT HEX LOCK M8-1.25 NY INS |
| (2)27 | 0H4954 | 1 | HARN OXYGEN SENSOR EXTEN 50" (NOT SHOWN) |
| (2)28 | 072252 | 1 | GROMMET 1.37 X .06 X 1.00 |

NOTES (UNLESS OTHERWISE SPECIFIED):

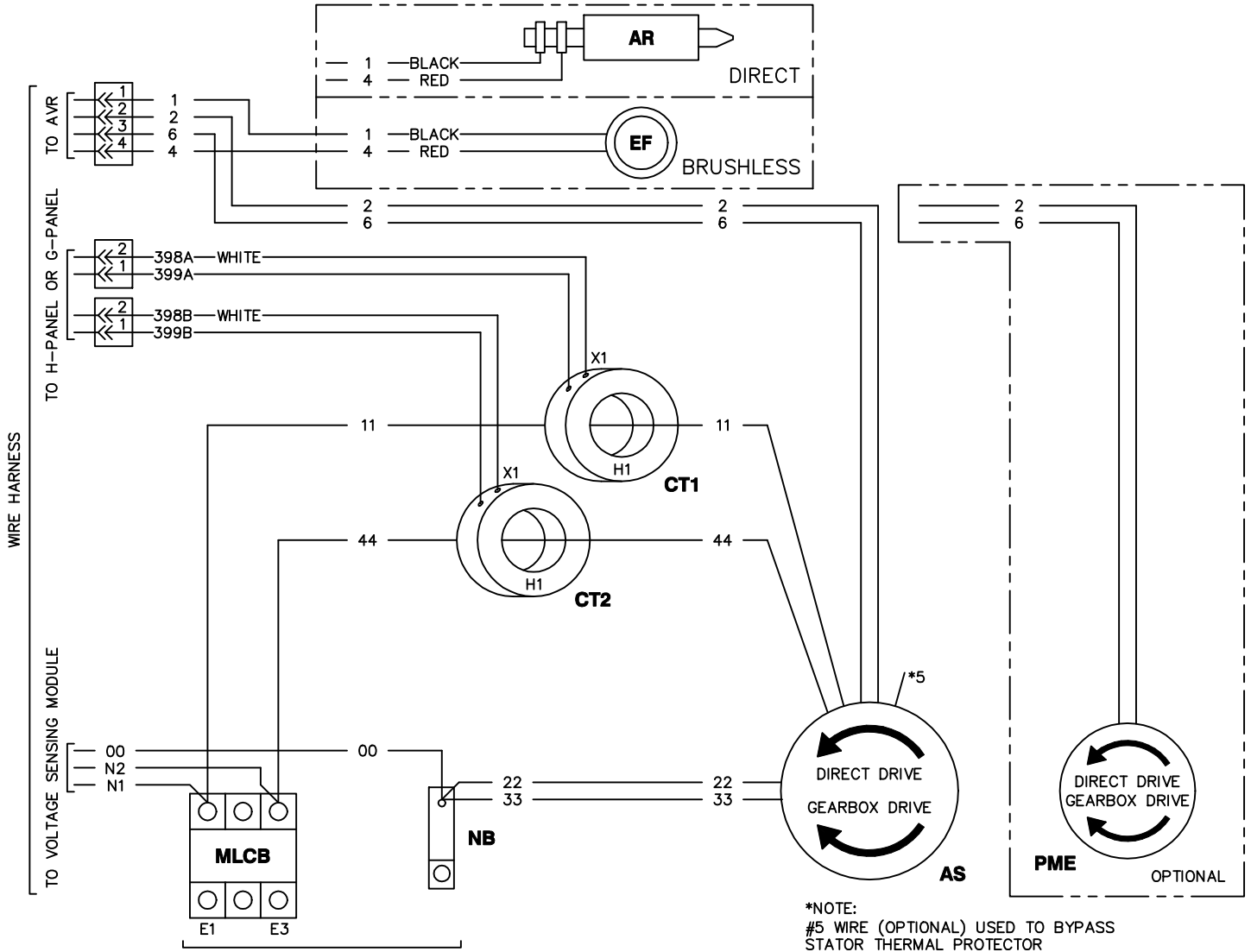
(1) SHEET METAL PARTS LISTED IN THE BOM TABLE ARE REPRESENTING GENERIC PARTS (NO COLOR)

- MANUFACTURING: FOR CORRECT MATERIAL AND COLOR REFER TO AS400 BOM.
- CUSTOMER: WHEN ORDERING REPLACEMENT PARTS ENTER BASE NUMBER (FIRST 6 DIGITS ONLY) IN THE SYSTEM FOR CORRECT MATERIAL AND COLOR (FOR REFERENCE SEE GUIDELINE 0H7169).

(2) USED IN EMISSIONS APPLICATIONS ONLY.

OPTION 1 - SINGLE PHASE, H-PANEL OR G-PANEL CONTROL PANEL

| LEGEND | |
|--------|-------------------------------|
| AR | - ALTERNATOR ROTOR |
| AS | - ALTERNATOR STATOR |
| AVR | - AUTOMATIC VOLTAGE REGULATOR |
| CT_ | - CURRENT TRANSFORMER |
| EF | - EXCITER FIELD |
| MLCB | - MAIN CIRCUIT BREAKER |
| NB | - NEUTRAL BLOCK |
| PME | - PERMANENT MAGNET EXCITER |



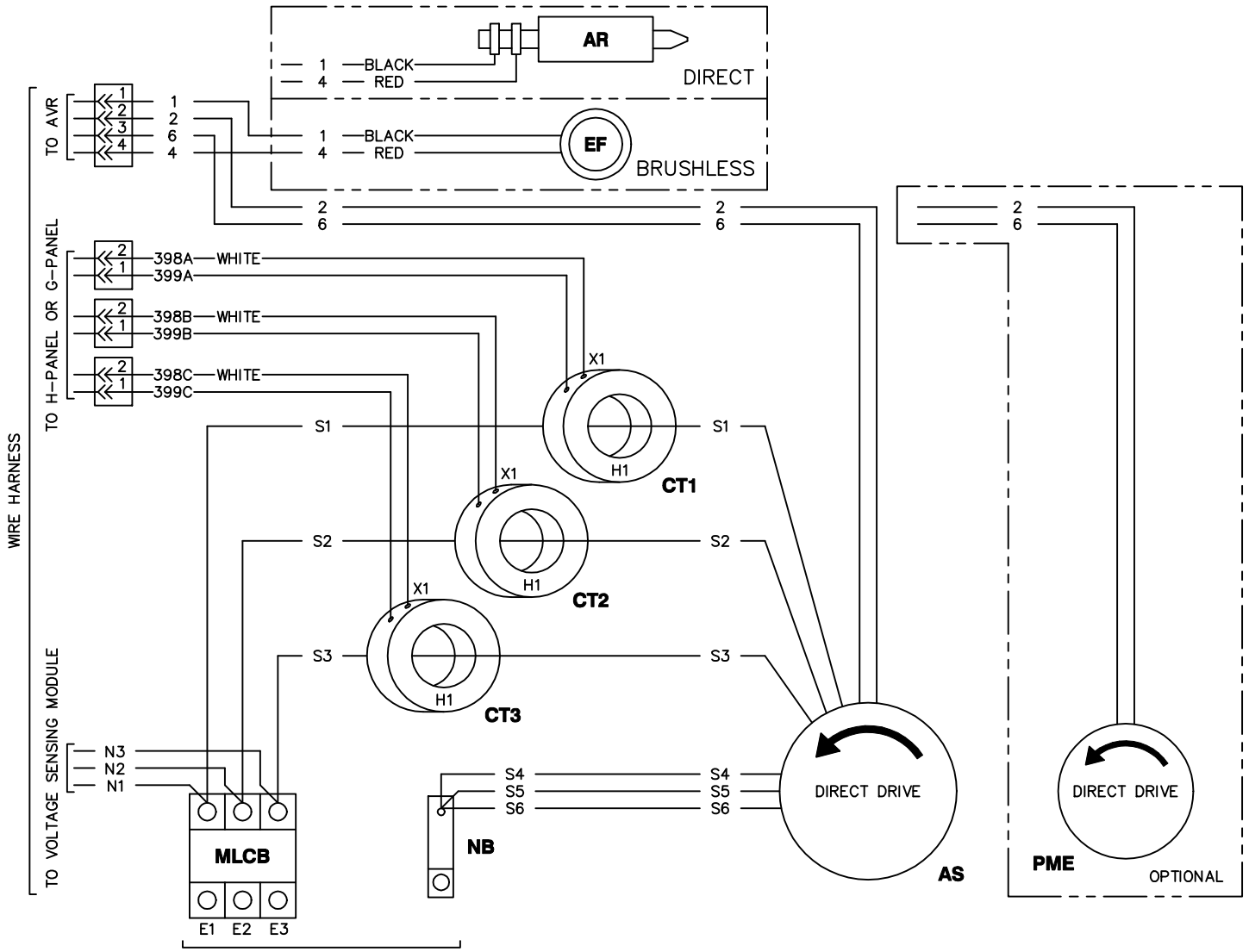
*NOTE:
#5 WIRE (OPTIONAL) USED TO BYPASS STATOR THERMAL PROTECTOR

GENERATOR OUTPUT
CUSTOMER CONNECTION
E1-E3 *240VAC
E1-N OR E3-N *120VAC

*NOTE: THE 8TH DIGIT OF THE MODEL NUMBER SPECIFIES OUTPUT VOLTAGE ON UNITS BEFORE 2010
THE 7TH DIGIT OF THE MODEL NUMBER SPECIFIES OUTPUT VOLTAGE ON UNITS 2010 TO PRESENT
"A" = 120/240VAC 60HZ
"M" = 110/220VAC 50HZ

OPTION 2 - THREE PHASE, H-PANEL OR G-PANEL CONTROL PANEL, DIRECT DRIVE, 6 LEAD

| LEGEND | |
|--------|-------------------------------|
| AR | - ALTERNATOR ROTOR |
| AS | - ALTERNATOR STATOR |
| AVR | - AUTOMATIC VOLTAGE REGULATOR |
| CT_ | - CURRENT TRANSFORMER |
| EF | - EXCITER FIELD |
| MLCB | - MAIN CIRCUIT BREAKER |
| NB | - NEUTRAL BLOCK |
| PME | - PERMANENT MAGNET EXCITER |



E1 TO E2]
 E2 TO E3] *208VAC OR *480VAC
 E1 TO E3]

E1, E2 OR E3 TO NB = *120VAC OR *277VAC

*NOTE: THE 8TH DIGIT OF THE MODEL NUMBER SPECIFIES OUTPUT VOLTAGE ON UNITS BEFORE 2010

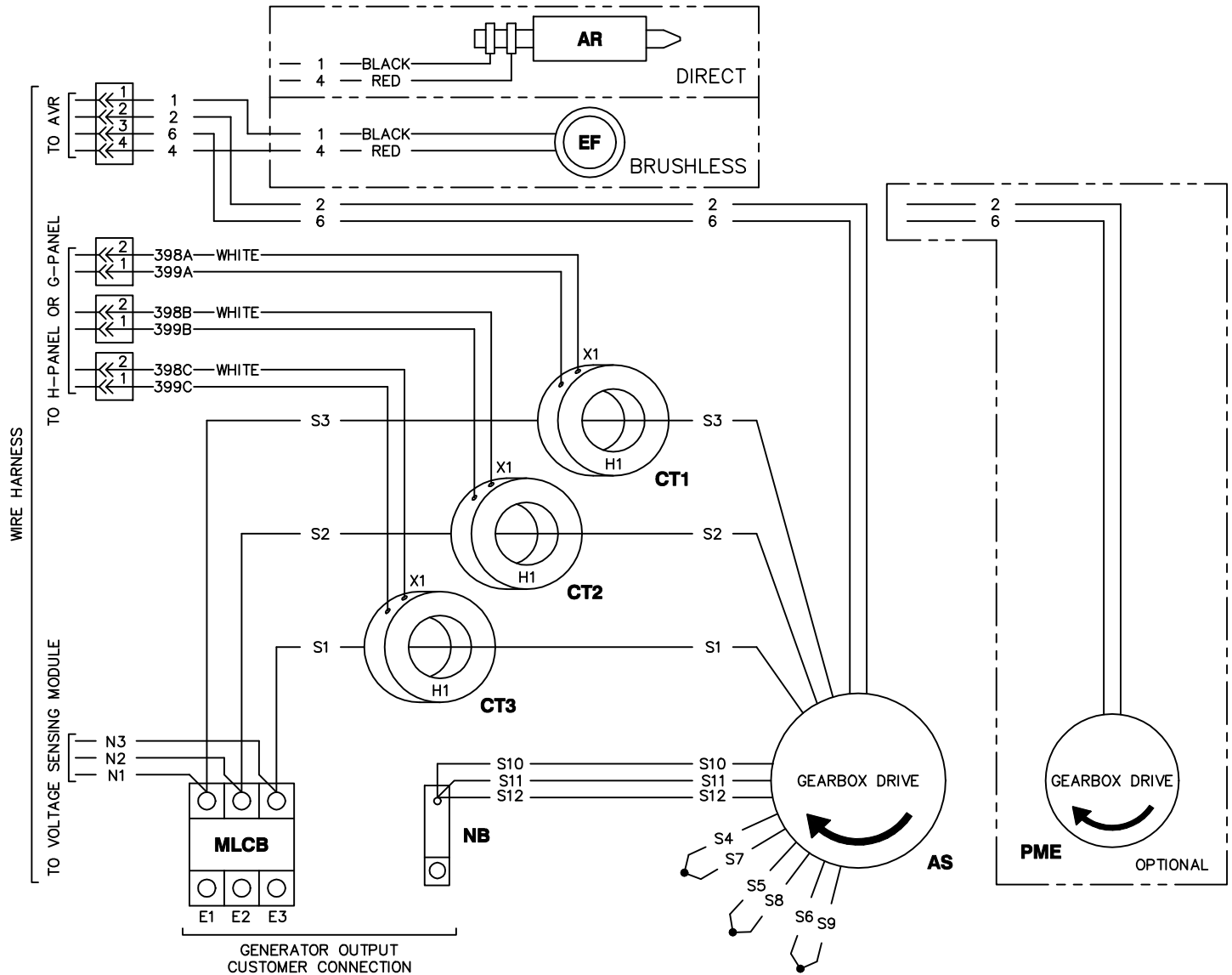
THE 7TH DIGIT OF THE MODEL NUMBER SPECIFIES OUTPUT VOLTAGE ON UNITS 2010 TO PRESENT

"G" = 120/208VAC 60HZ

"K" = 277/480VAC 60HZ

OPTION 3 - THREE PHASE, H-PANEL OR G-PANEL CONTROL PANEL, GEARBOX (REVERSE ROTATION)

| LEGEND | |
|--------|-------------------------------|
| AR | - ALTERNATOR ROTOR |
| AS | - ALTERNATOR STATOR |
| AVR | - AUTOMATIC VOLTAGE REGULATOR |
| CT_ | - CURRENT TRANSFORMER |
| EF | - EXCITER FIELD |
| MLCB | - MAIN CIRCUIT BREAKER |
| NB | - NEUTRAL BLOCK |
| PME | - PERMANENT MAGNET EXCITER |



GENERATOR OUTPUT
CUSTOMER CONNECTION

E1 TO E2]
E2 TO E3] *480VAC
E1 TO E3]

E1, E2 OR E3 TO NB = *277VAC

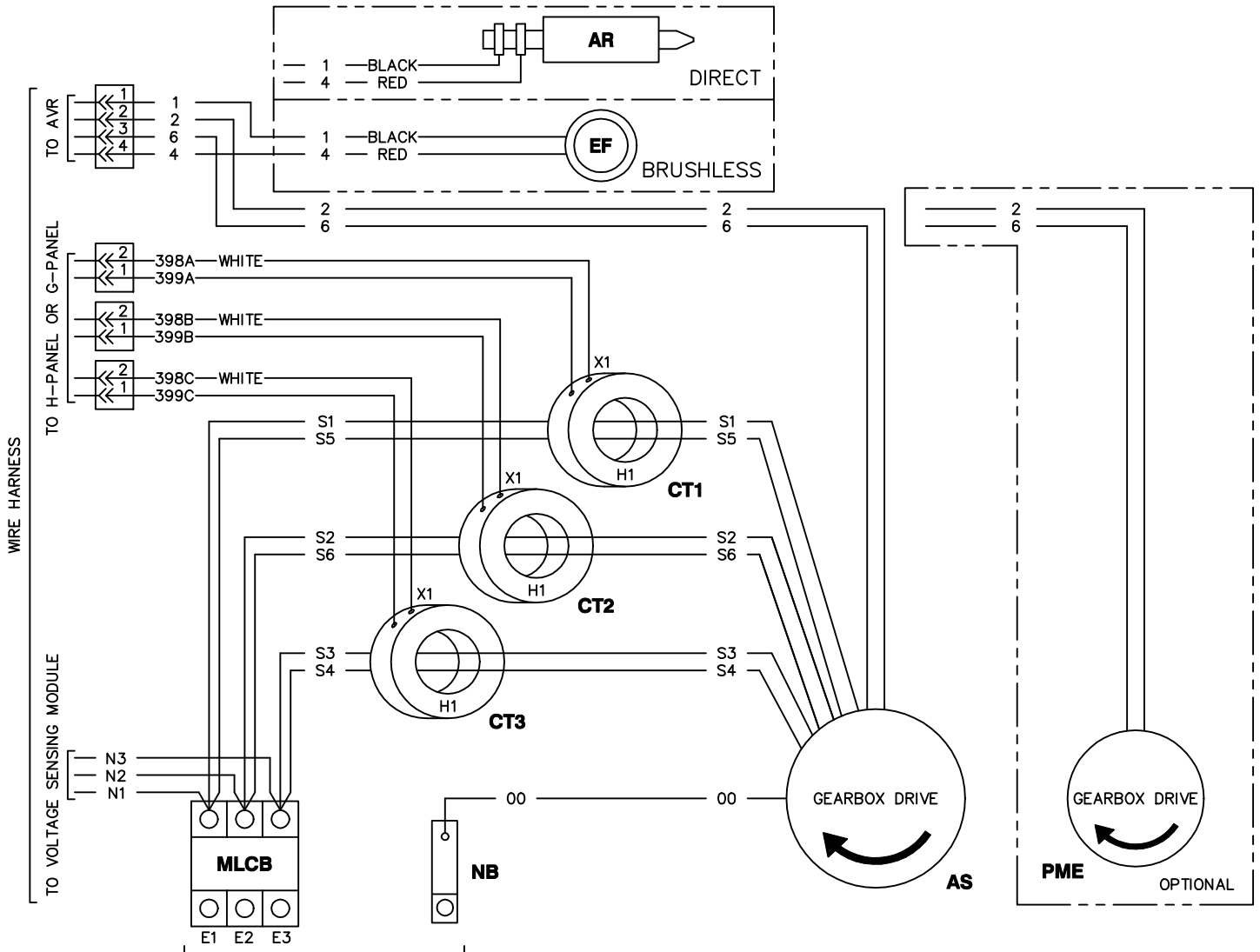
*NOTE: THE 8TH DIGIT OF THE MODEL NUMBER SPECIFIES OUTPUT VOLTAGE ON UNITS BEFORE 2010

THE 7TH DIGIT OF THE MODEL NUMBER SPECIFIES OUTPUT VOLTAGE ON UNITS 2010 TO PRESENT

"K" = 277/480VAC 60HZ

OPTION 4 - THREE PHASE DELTA, H-PANEL OR G-PANEL CONTROL PANEL, DIRECT DRIVE, 7 LEAD

| LEGEND | |
|--------|-------------------------------|
| AR | - ALTERNATOR ROTOR |
| AS | - ALTERNATOR STATOR |
| AVR | - AUTOMATIC VOLTAGE REGULATOR |
| CT_ | - CURRENT TRANSFORMER |
| EF | - EXCITER FIELD |
| MLCB | - MAIN CIRCUIT BREAKER |
| NB | - NEUTRAL BLOCK |
| PME | - PERMANENT MAGNET EXCITER |



GENERATOR OUTPUT
CUSTOMER CONNECTION

E1 TO E2
E2 TO E3 *240VAC
E1 TO E3

E1-N OR E3-N = *120VAC

*NOTE: THE 8TH DIGIT OF THE MODEL NUMBER SPECIFIES OUTPUT VOLTAGE ON

UNITS BEFORE 2010

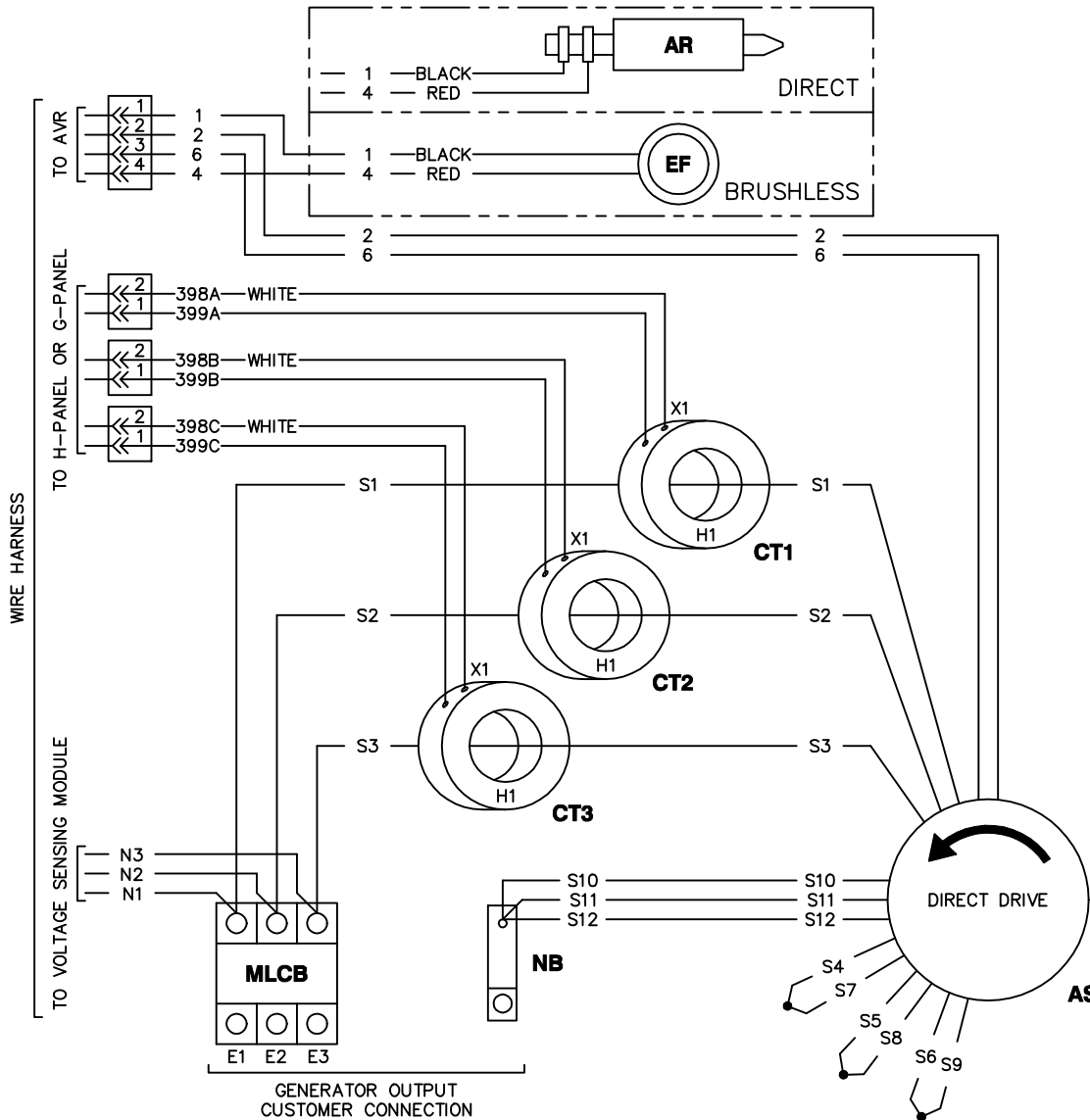
THE 7TH DIGIT OF THE MODEL NUMBER SPECIFIES OUTPUT VOLTAGE ON UNITS

2010 TO PRESENT

"J" = 120/240VAC 60HZ

OPTION 5 - THREE PHASE SERIES WYE, H-PANEL OR G-PANEL CONTROL PANEL, DIRECT DRIVE, 12 LEAD

| LEGEND | |
|--------|-------------------------------|
| AR | - ALTERNATOR ROTOR |
| AS | - ALTERNATOR STATOR |
| AVR | - AUTOMATIC VOLTAGE REGULATOR |
| CT_ | - CURRENT TRANSFORMER |
| EF | - EXCITER FIELD |
| MLCB | - MAIN CIRCUIT BREAKER |
| NB | - NEUTRAL BLOCK |

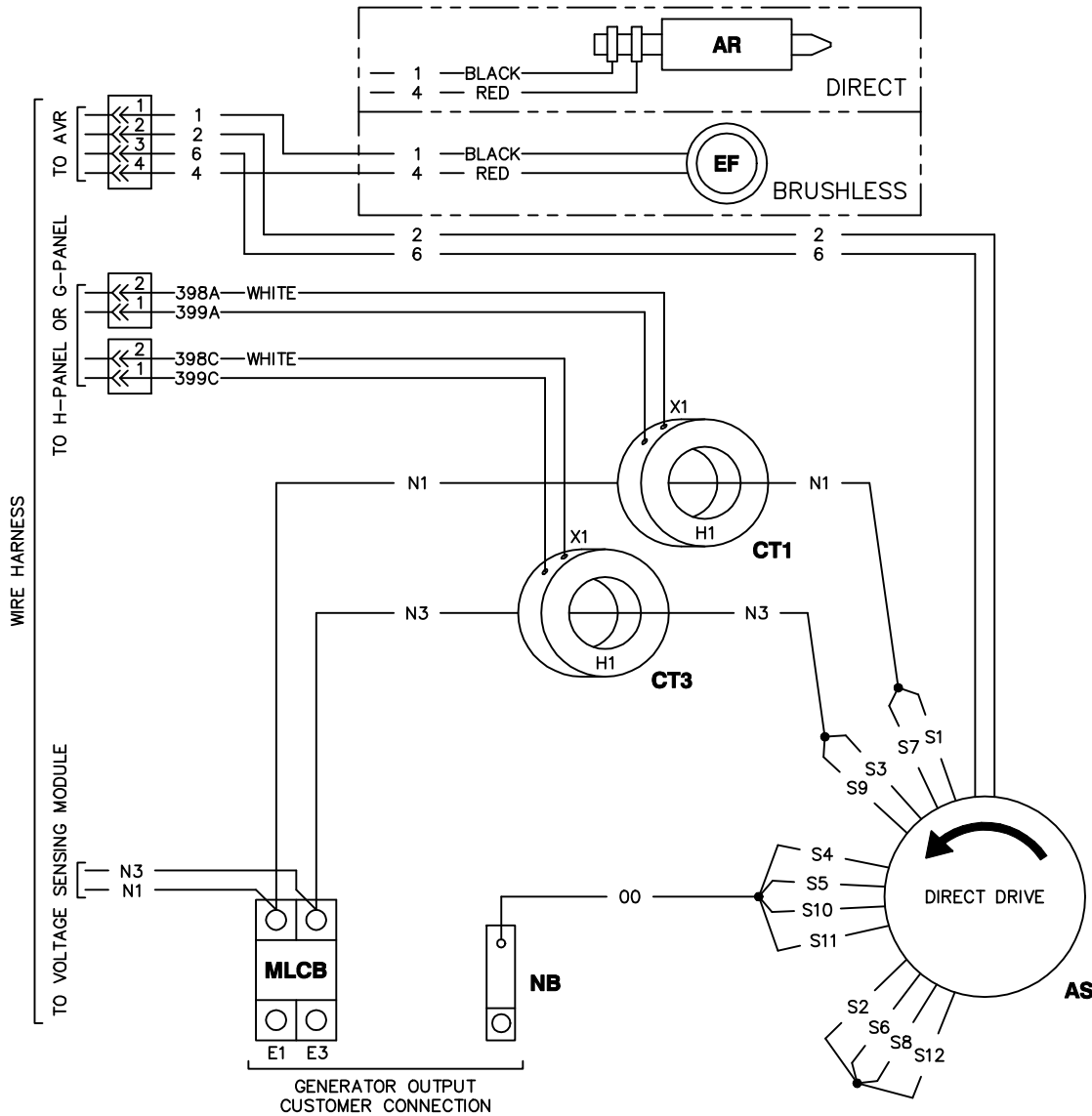


E1 TO E2] E1 TO E2] *480VAC E2 TO E3] *400VAC
 E1 TO E3] E1 TO E3]

E1-N OR E2-N OR E3-N = *277VAC E1-N OR E2-N OR E3-N = *231VAC
 *NOTE: THE 8TH DIGIT OF THE MODEL NUMBER SPECIFIES OUTPUT VOLTAGE ON UNITS BEFORE 2010
 THE 7TH DIGIT OF THE MODEL NUMBER SPECIFIES OUTPUT VOLTAGE ON UNITS 2010 TO PRESENT
 "K" = 277/480VAC 60HZ
 "R" = 231/400VAC 50HZ

OPTION 6 - THREE PARALLEL ZIG ZAG, H-PANEL OR G-PANEL CONTROL PANEL, DIRECT DRIVE, 12 LEAD

| LEGEND | |
|--------|-------------------------------|
| AR | - ALTERNATOR ROTOR |
| AS | - ALTERNATOR STATOR |
| AVR | - AUTOMATIC VOLTAGE REGULATOR |
| CT_ | - CURRENT TRANSFORMER |
| EF | - EXCITER FIELD |
| MLCB | - MAIN CIRCUIT BREAKER |
| NB | - NEUTRAL BLOCK |

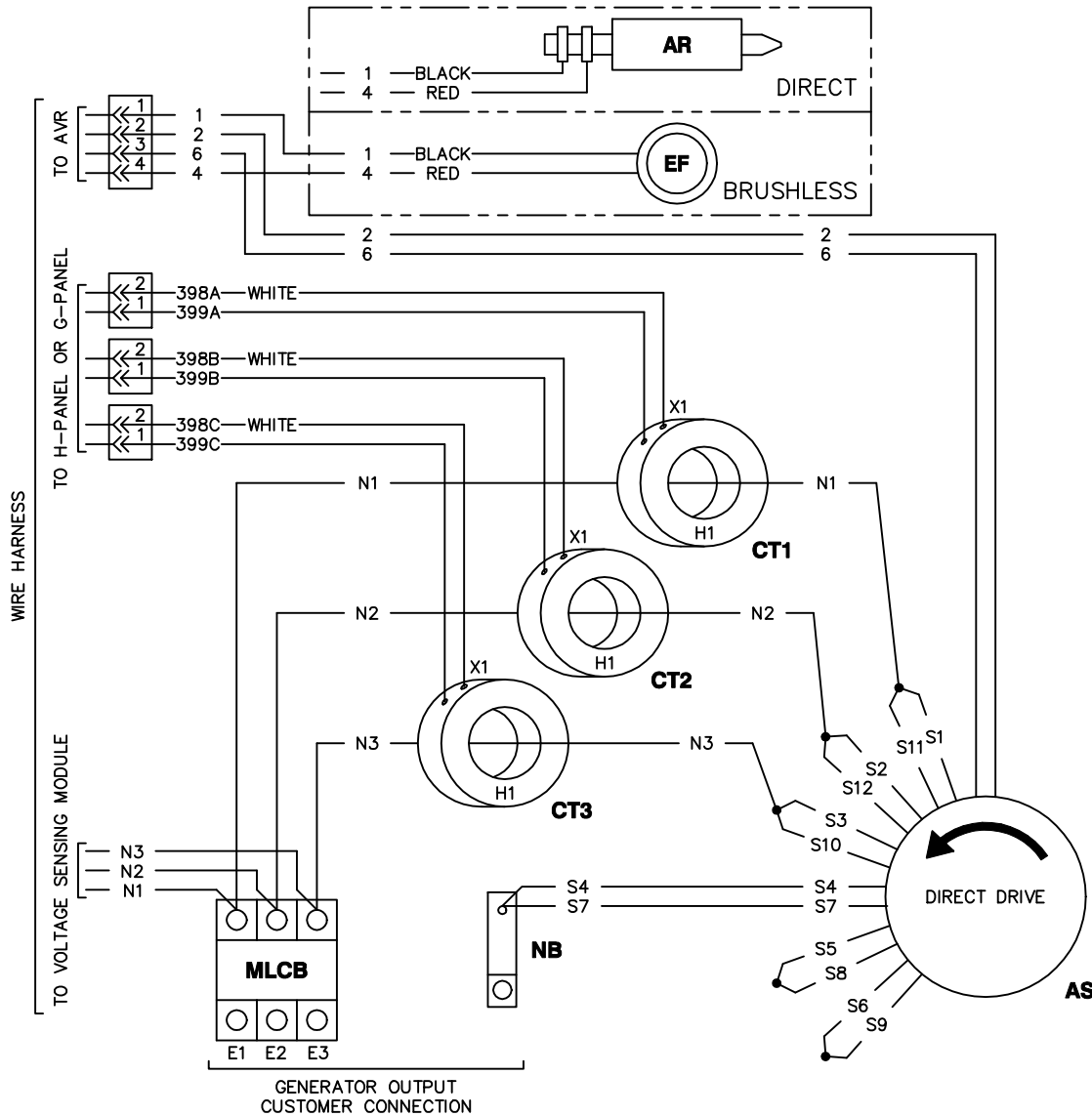


E1 TO 00] *115VAC OR *120VAC
 E3 TO 00] *115VAC OR *120VAC
 E1 TO E3] *200VAC OR *240VAC

*NOTE: THE 8TH DIGIT OF THE MODEL NUMBER SPECIFIES OUTPUT VOLTAGE ON UNITS BEFORE 2010
 THE 7TH DIGIT OF THE MODEL NUMBER SPECIFIES OUTPUT VOLTAGE ON UNITS 2010 TO PRESENT
 "A" = 120/240VAC 60HZ
 "N" = 115/200VAC 50HZ

OPTION 7 - THREE PHASE SERIES DELTA, H-PANEL OR G-PANEL CONTROL PANEL, DIRECT DRIVE, 12 LEAD

| LEGEND | |
|--------|-------------------------------|
| AR | - ALTERNATOR ROTOR |
| AS | - ALTERNATOR STATOR |
| AVR | - AUTOMATIC VOLTAGE REGULATOR |
| CT_ | - CURRENT TRANSFORMER |
| EF | - EXCITER FIELD |
| MLCB | - MAIN CIRCUIT BREAKER |
| NB | - NEUTRAL BLOCK |



| | |
|----------|----------|
| E1 TO E2 | E1 TO E2 |
| E2 TO E3 | E2 TO E3 |
| E1 TO E3 | E1 TO E3 |

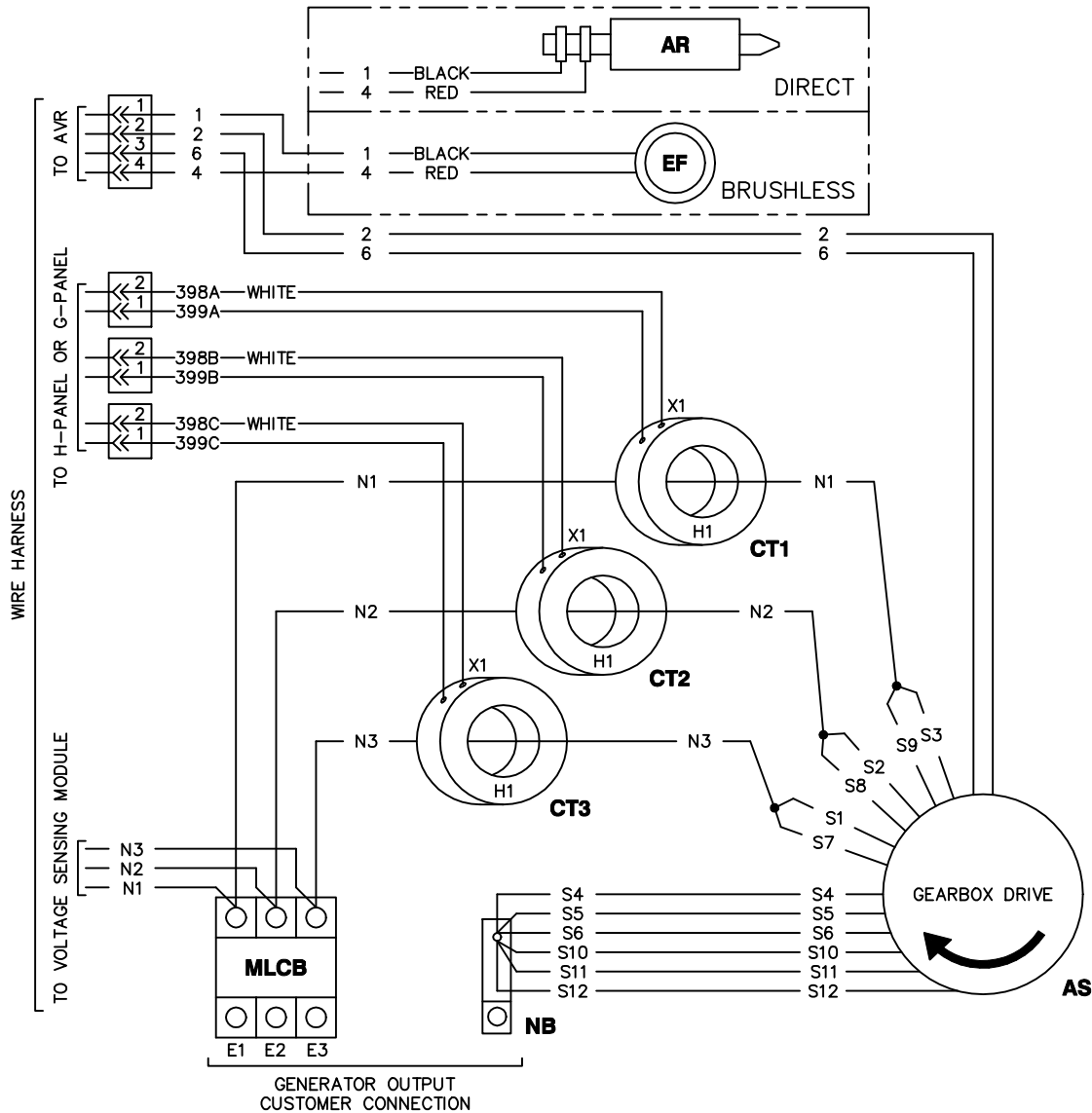
*240VAC *200VAC

E1-N OR E2-N OR E3-N = *120VAC E1-N OR E2-N OR E3-N = *100VAC
 *NOTE: THE 8TH DIGIT OF THE MODEL NUMBER SPECIFIES OUTPUT VOLTAGE ON UNITS BEFORE 2010
 THE 7TH DIGIT ON THE MODEL NUMBER SPECIFIES OUTPUT VOLTAGE ON UNITS 2010 TO PRESENT

"D" = 120/240VAC 1 ϕ /3 ϕ 60HZ
 "J" = 120/240VAC 60HZ
 "P" = 100/200VAC 50HZ

OPTION 9 - THREE PHASE SERIES DELTA, H-PANEL OR G-PANEL CONTROL PANEL, GEARBOX (REVERSE ROTATION), 12 LEAD

| LEGEND | |
|-----------------|-------------------------------|
| AR | - ALTERNATOR ROTOR |
| AS | - ALTERNATOR STATOR |
| AVR | - AUTOMATIC VOLTAGE REGULATOR |
| CT _n | - CURRENT TRANSFORMER |
| EF | - EXCITER FIELD |
| MLCB | - MAIN CIRCUIT BREAKER |
| NB | - NEUTRAL BLOCK |



GENERATOR OUTPUT
CUSTOMER CONNECTION

E1 TO E2
E2 TO E3 *208VAC
E1 TO E3

E1-N OR E2-N OR E3-N = *120VAC

*NOTE: THE 8TH DIGIT OF THE MODEL NUMBER SPECIFIES OUTPUT VOLTAGE ON UNITS BEFORE 2010
THE 7TH DIGIT OF THE MODEL NUMBER SPECIFIES OUTPUT VOLTAGE ON UNITS 2010 TO PRESENT

G = 120/208VAC 60HZ

PAGE LEFT BLANK INTENTIONALLY

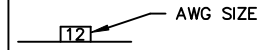
GROUP G

LEGEND

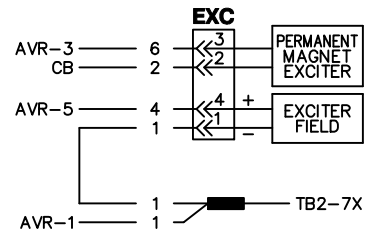
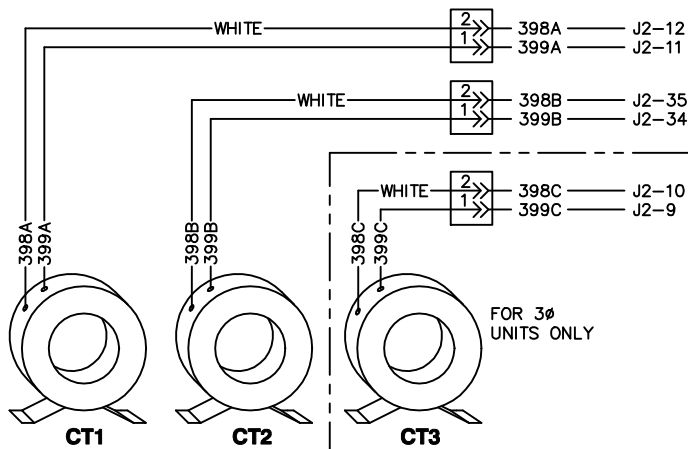
| | |
|--|-----------------------------------|
| AFS - AIR/FUEL SOLENOID* | GND - GROUND BAR CONNECTION |
| AH1 - ALARM HORN | ICM - IGNITION CONTROL MODULE |
| ALT - DC CHARGE ALTERNATOR | IFT - INTERFACE TRANSFORMER |
| AVR - AUTOMATIC VOLTAGE REGULATOR | J_ - ENGINE CONTROL MODULE CONN. |
| BCC - BATTERY CHARGER CONNECTOR | LFP - LOW FUEL PRESSURE SWITCH |
| BCH - BATTERY CHARGER | MLCB - MAIN LINE CIRCUIT BREAKER |
| CAM - CAMSHAFT SENSOR | MOD - MODEM CONNECTOR |
| CB - CIRCUIT BREAKER DPE | MPU1 - MAGNETIC PICKUP |
| CO - CROSSOVER CONNECTOR | NB - NEUTRAL BLOCK |
| COM - COMMUNICATIONS PORT | OPS1 - OIL PRESSURE SENDER |
| CSS - CRANKSHAFT SENSOR | OS - OXYGEN SENSOR* |
| CT_ - CURRENT TRANSFORMER | OTC - OIL TEMPERATURE CONNECTOR |
| CYL_ - CYLINDER IGNITION COIL | OTS_ - OIL TEMPERATURE SENDER |
| DB - DIODE BRIDGE | R1 - RESISTOR |
| ES1 - EMERGENCY STOP SWITCH | RB_ - RELAY BOARD |
| EXC - EXCITER | RB_A - RELAY BOARD CONNECTOR |
| F_ - FUSE | SC - START CONTACTOR |
| FS_ - FUEL SOLENOID | SM - STARTER MOTOR |
| FSP - FUEL SOLENOID PLUG | SW1 - OFF/AUTO/MANUAL SWITCH |
| FSR - FUEL SOLENOID RECEPTACLE | SWC - OPERATOR SWITCH CONNECTOR |
| GA_ - GOVERNOR ACTUATOR | TB_ - TERMINAL BLOCKS |
| GD - GOVERNOR DRIVER | WLS_ - COOLANT LEVEL SENDER |
| GFCI - GROUND FAULT CURRENT INTERRUPT* | WTS_ - COOLANT TEMPERATURE SENDER |

* - N/A ON INTERNATIONAL PRODUCTS

NOTE: ALL WIRES 18 AWG
300V UL LISTED UNLESS
SHOWN OTHERWISE.



COMPONENTS LOCATED IN ALTERNATOR CONNECTION BOX



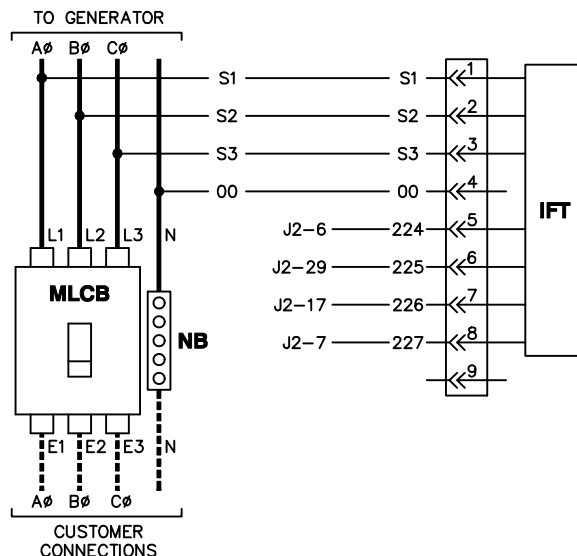
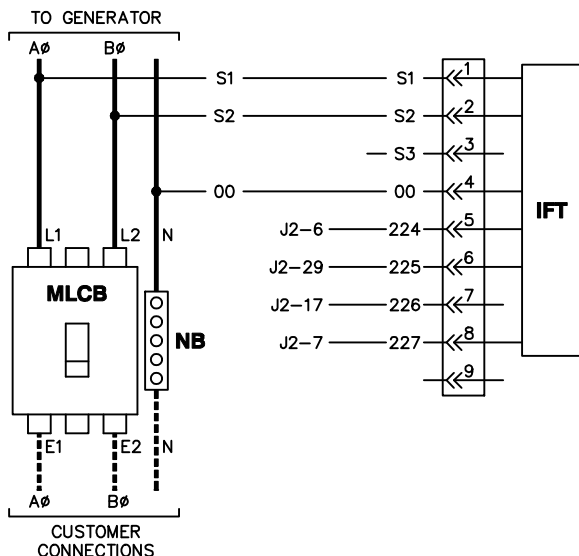
SEE DRAWING 0H9846 FOR CT WIRING.

COMPONENTS LOCATED IN HIGH VOLTAGE CUSTOMER CONNECTION MODULE

CONNECTIONS FOR 1Ø UNIT

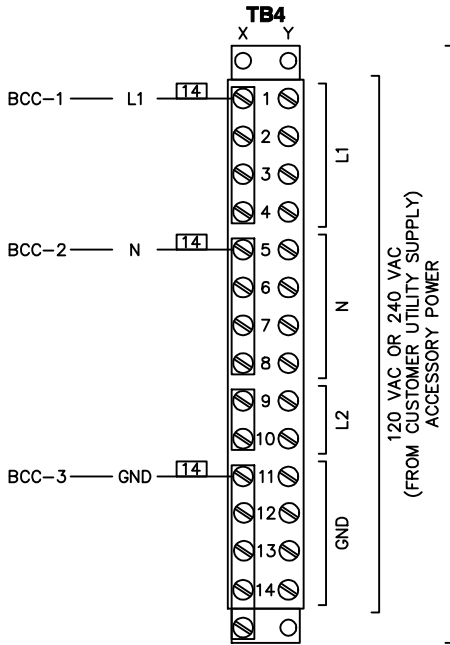
NOTE: ALL WIRES IN THIS SECTION ARE 600V RATED

CONNECTIONS FOR 3Ø UNIT

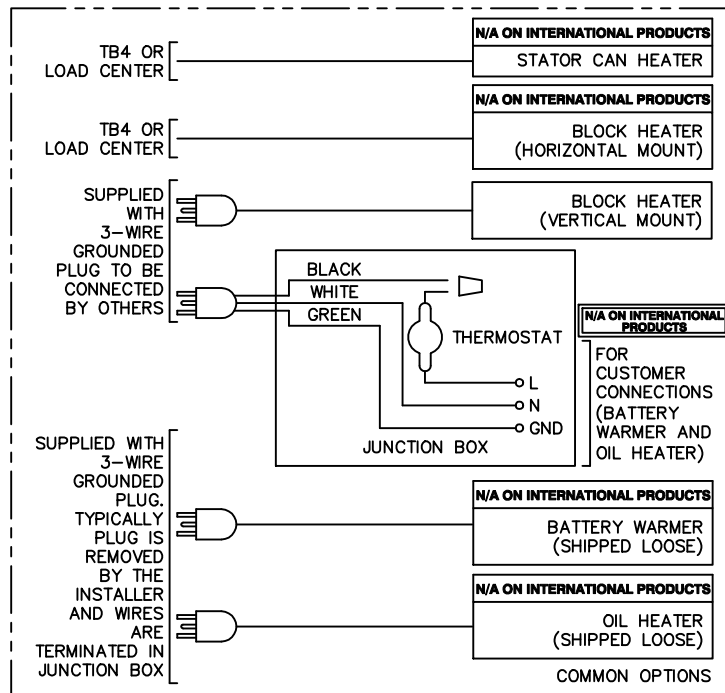
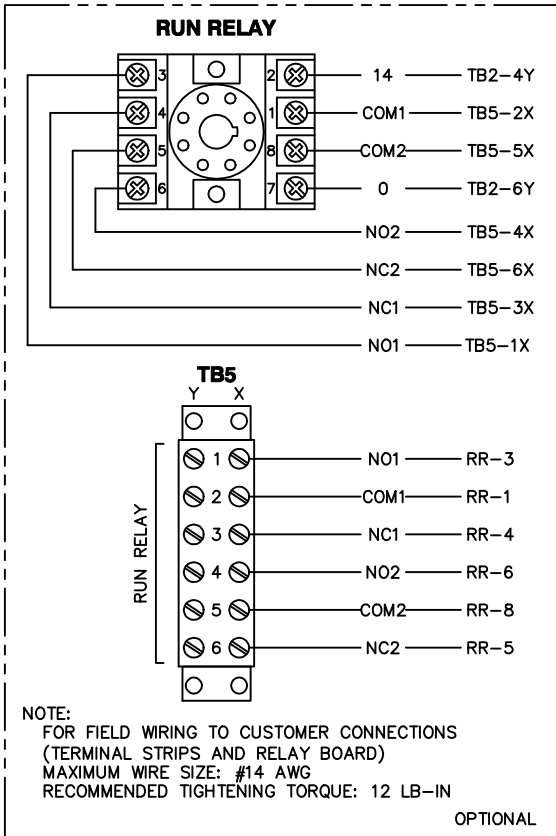
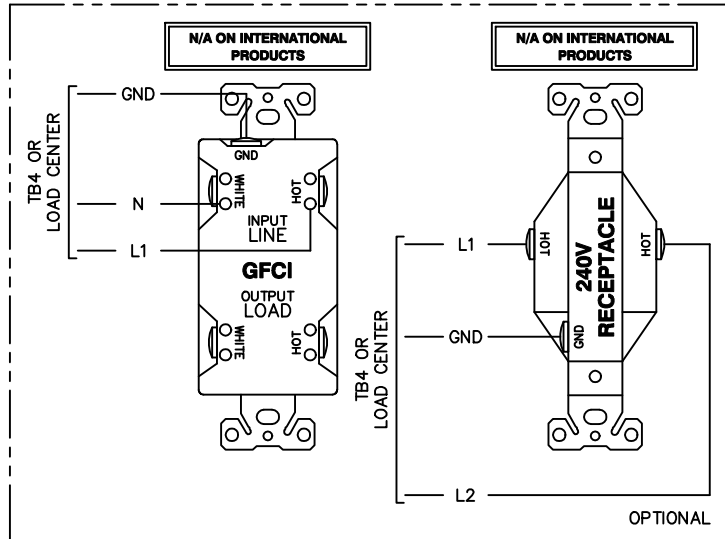
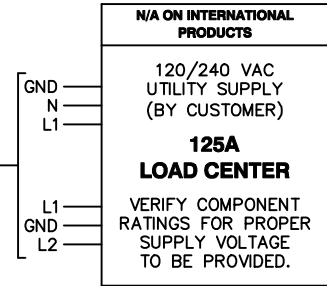


COMPONENTS LOCATED IN HIGH VOLTAGE CUSTOMER CONNECTION MODULE

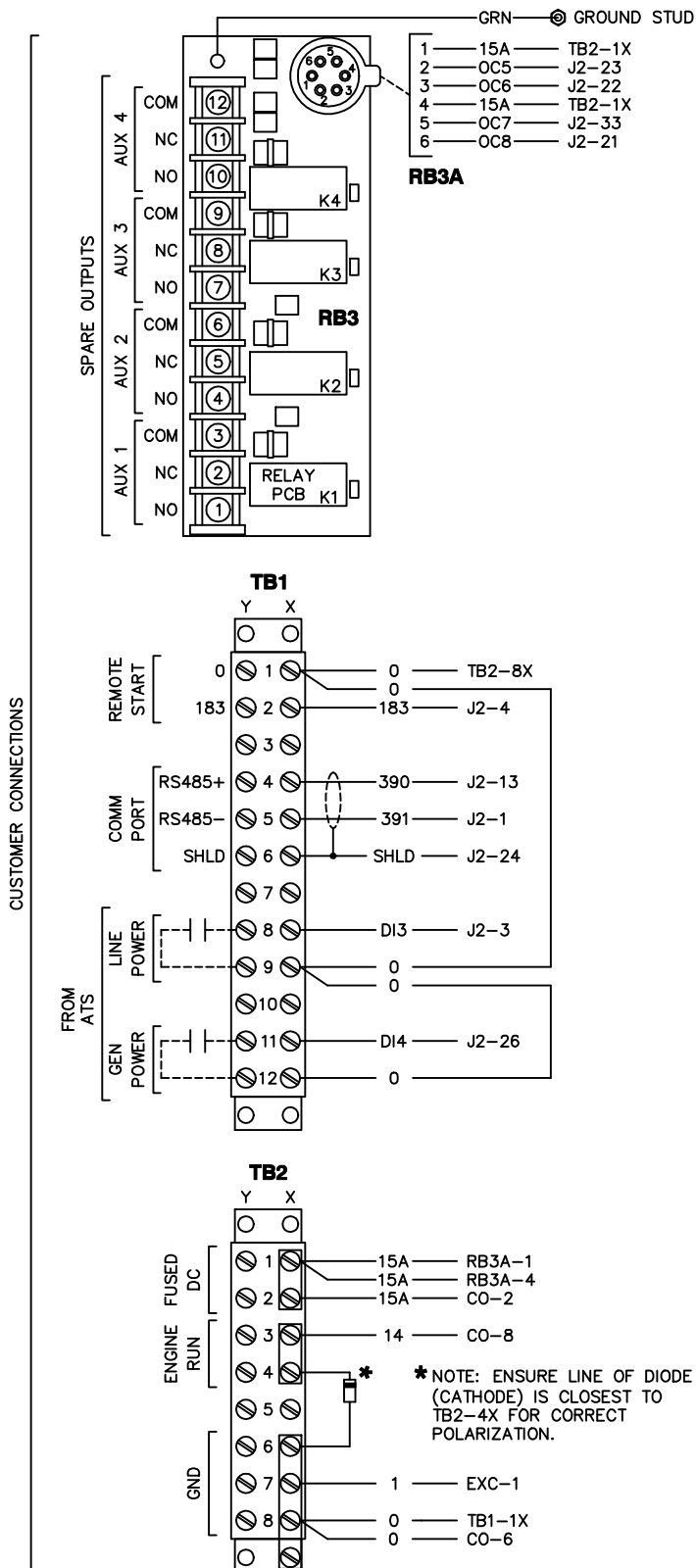
NOTE: ALL WIRES ON THIS PAGE ARE 600V RATED



NOTE:
FOR FIELD WIRING TO CUSTOMER CONNECTIONS (TERMINAL STRIP)
MAXIMUM WIRE SIZE: #10 AWG
RECOMMENDED TIGHTENING TORQUE: 14 LB-IN

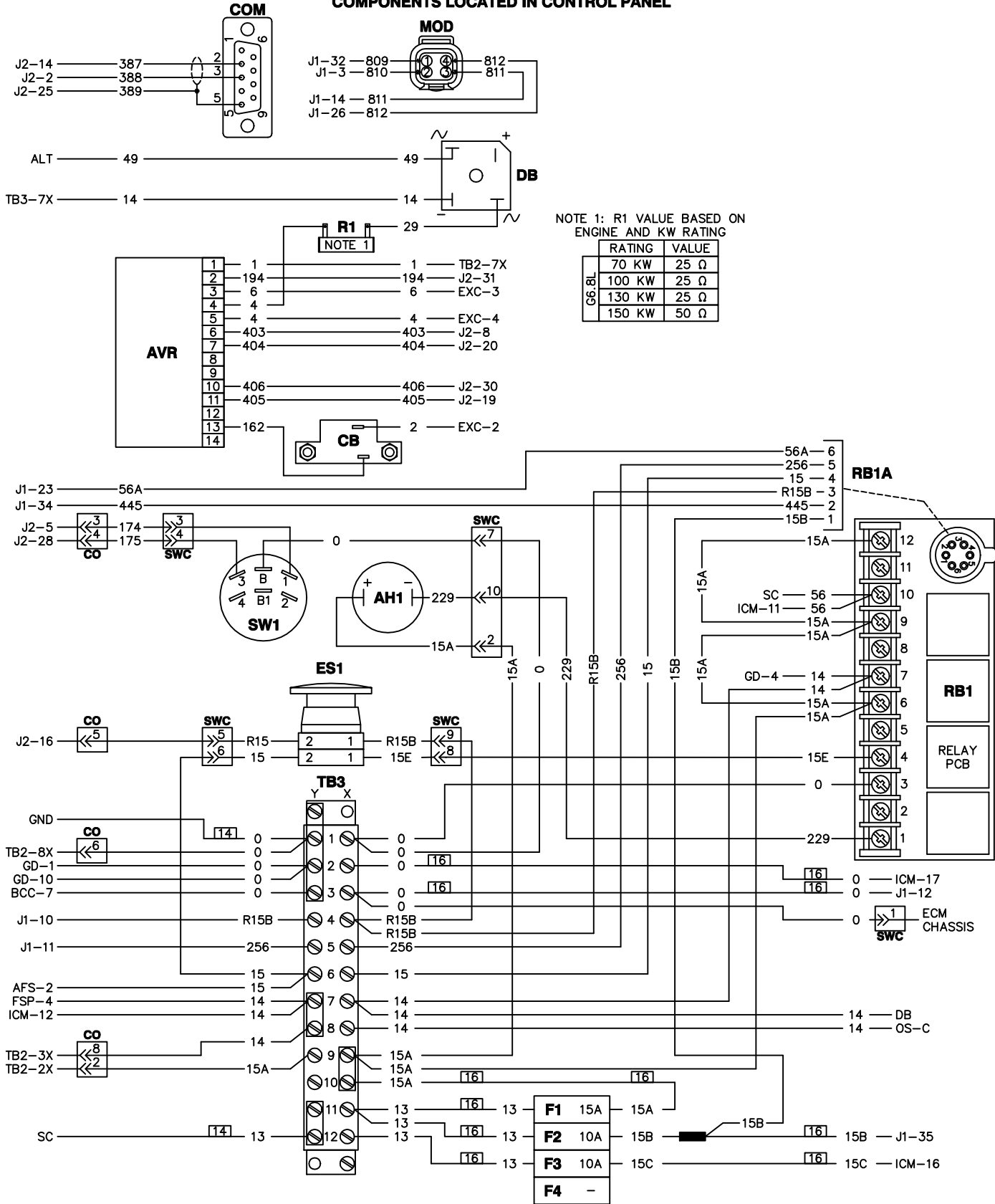


COMPONENTS LOCATED ON LOW VOLTAGE CUSTOMER CONNECTION PANEL

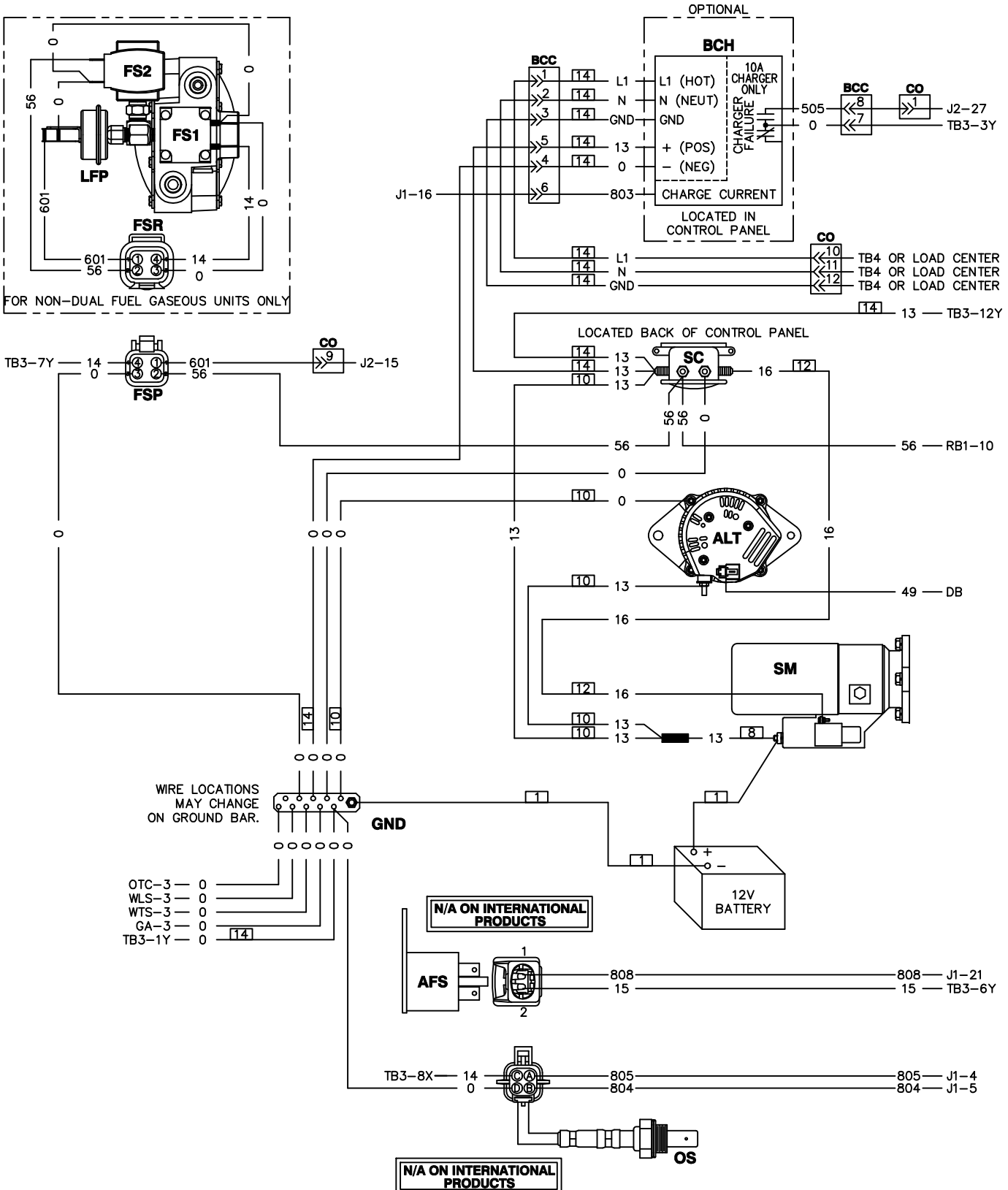


NOTE:
 FOR FIELD WIRING TO CUSTOMER CONNECTIONS
 (TERMINAL STRIPS AND RELAY BOARD)
 MAXIMUM WIRE SIZE: #14 AWG
 RECOMMENDED TIGHTENING TORQUE: 12 LB-IN

COMPONENTS LOCATED IN CONTROL PANEL

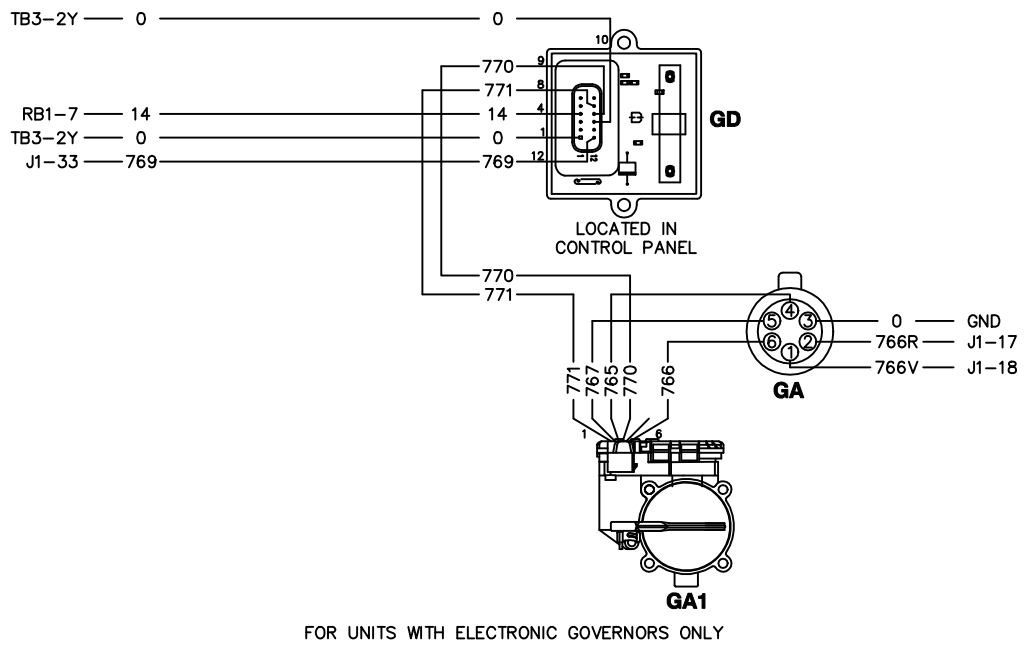
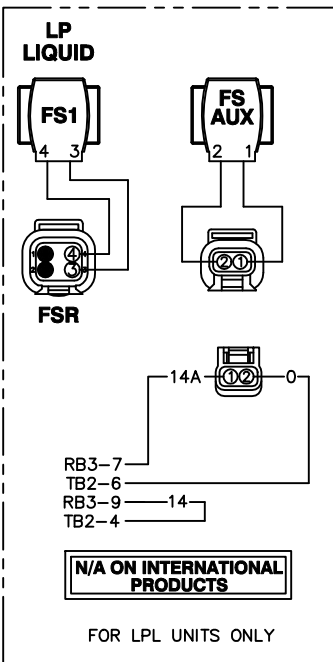
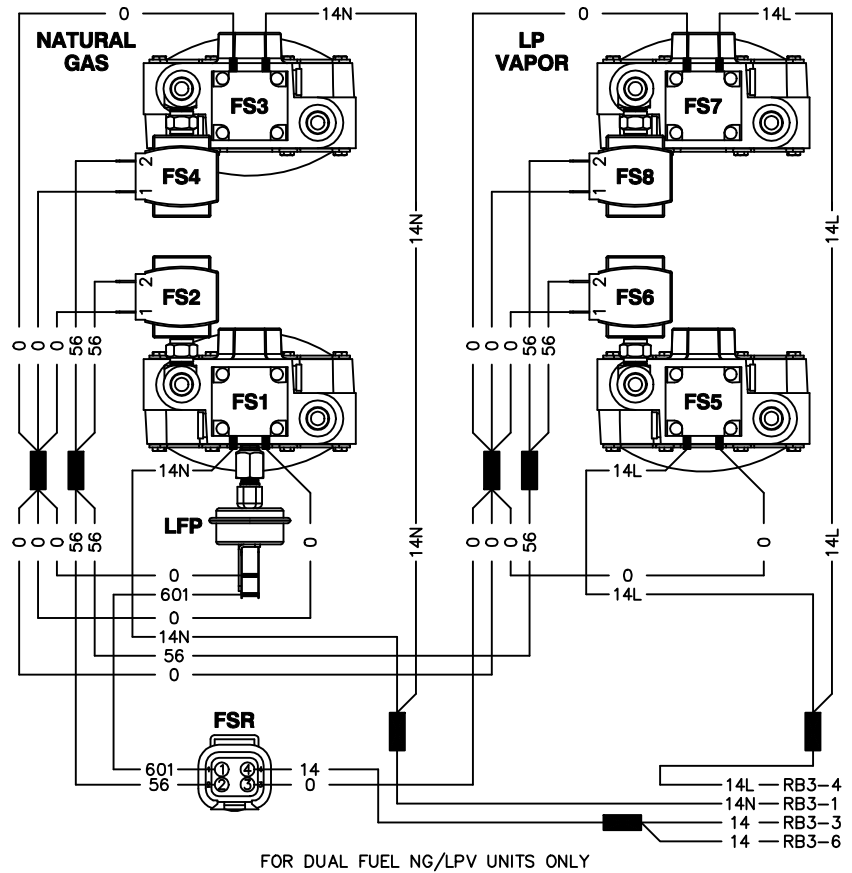
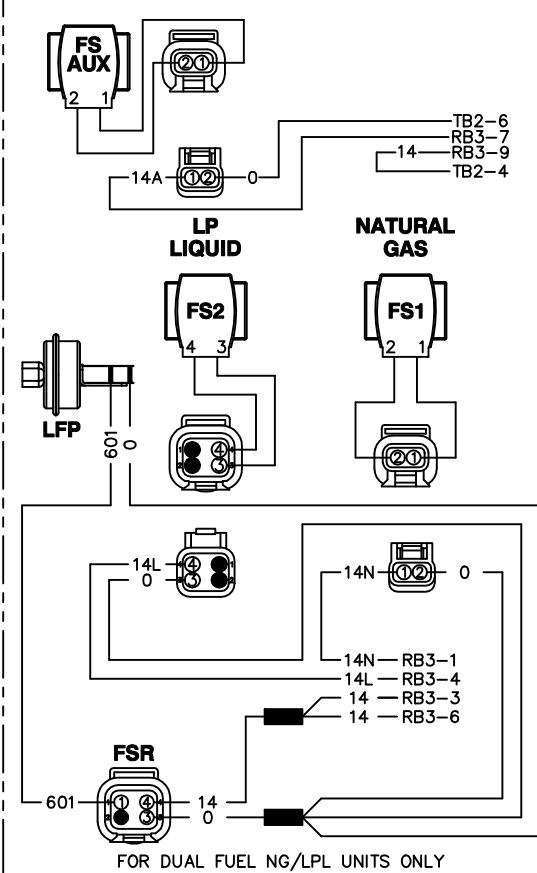


COMPONENTS LOCATED ON ENGINE



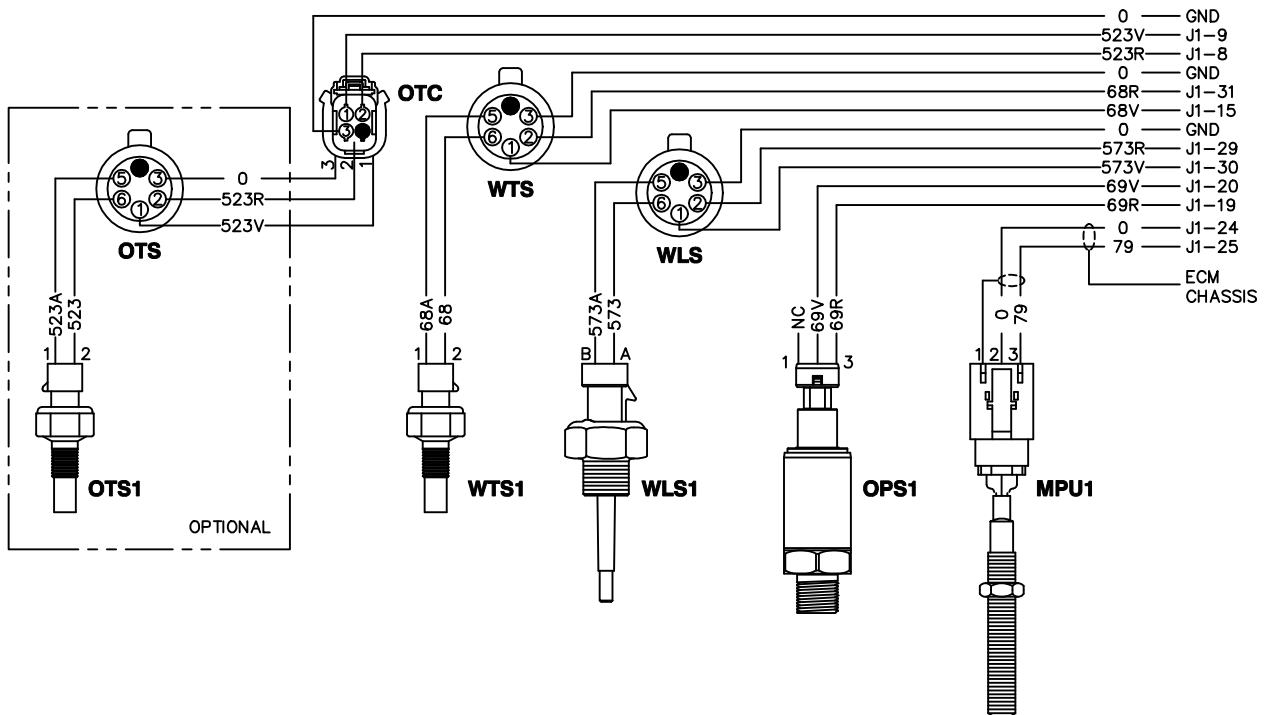
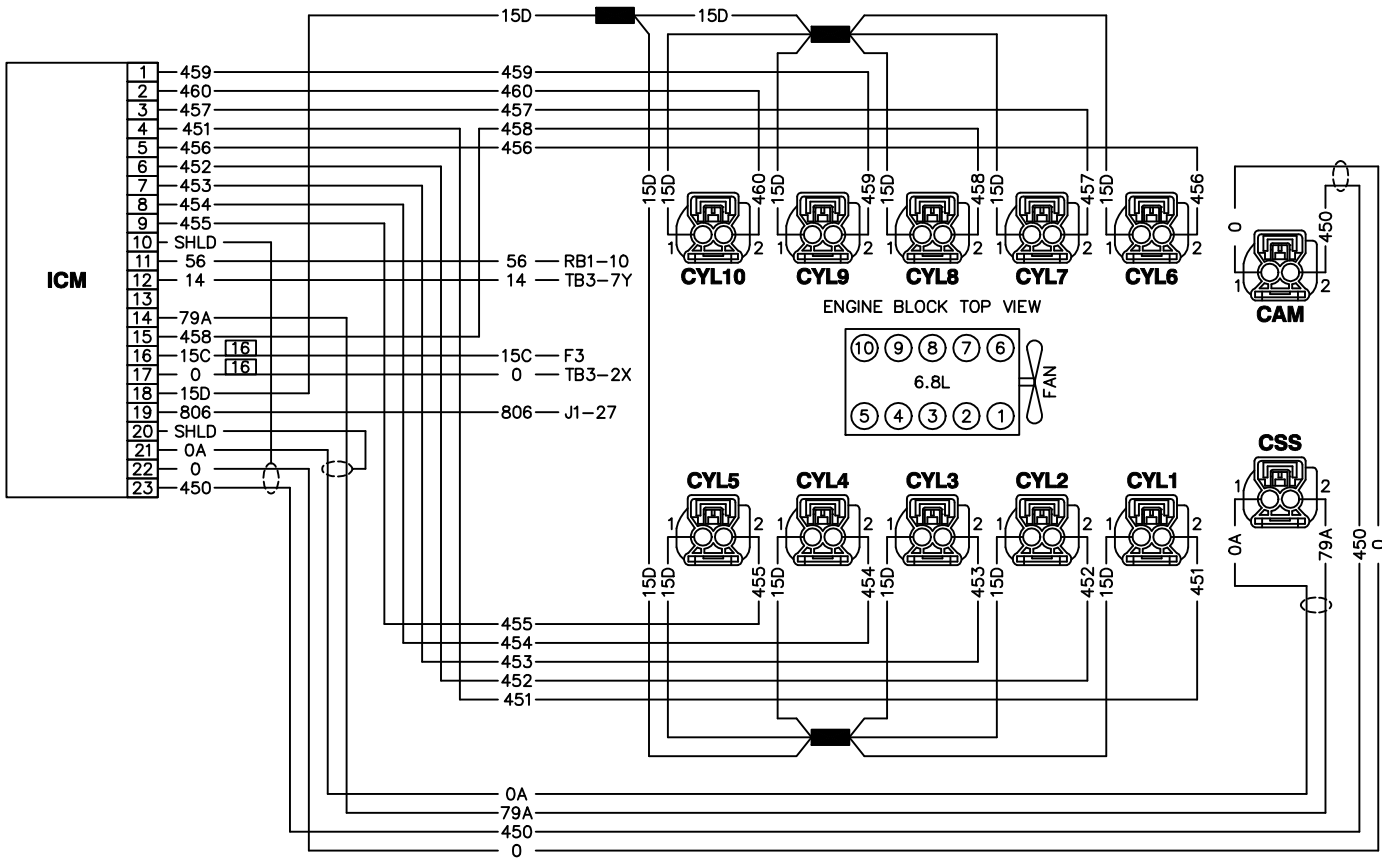
COMPONENTS LOCATED ON ENGINE

N/A ON INTERNATIONAL PRODUCTS



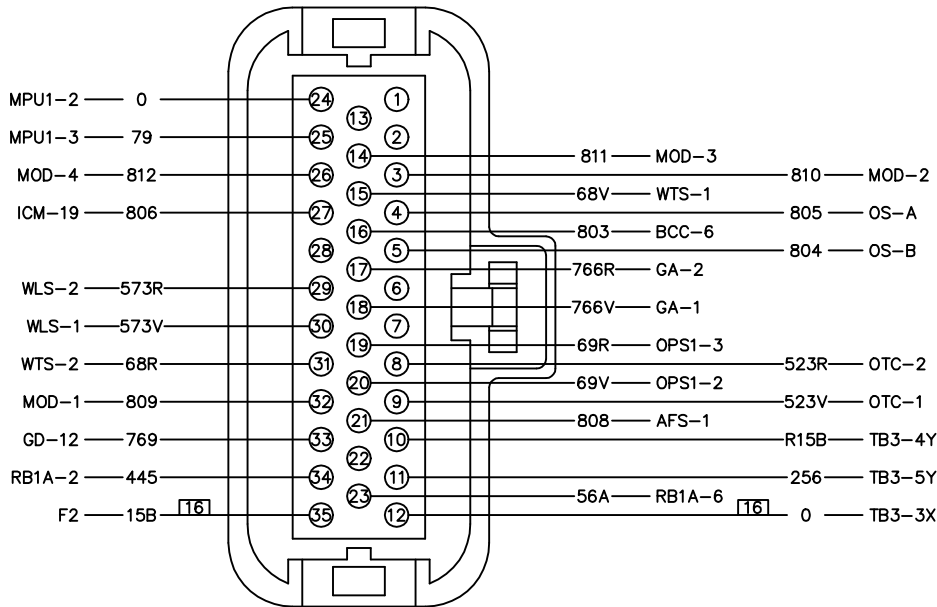
GROUP G

COMPONENTS LOCATED ON ENGINE

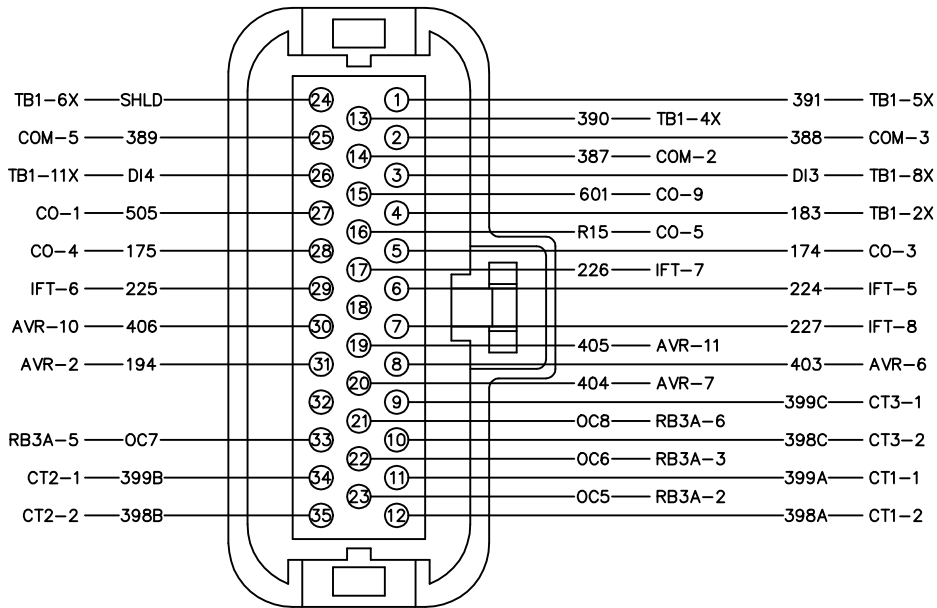


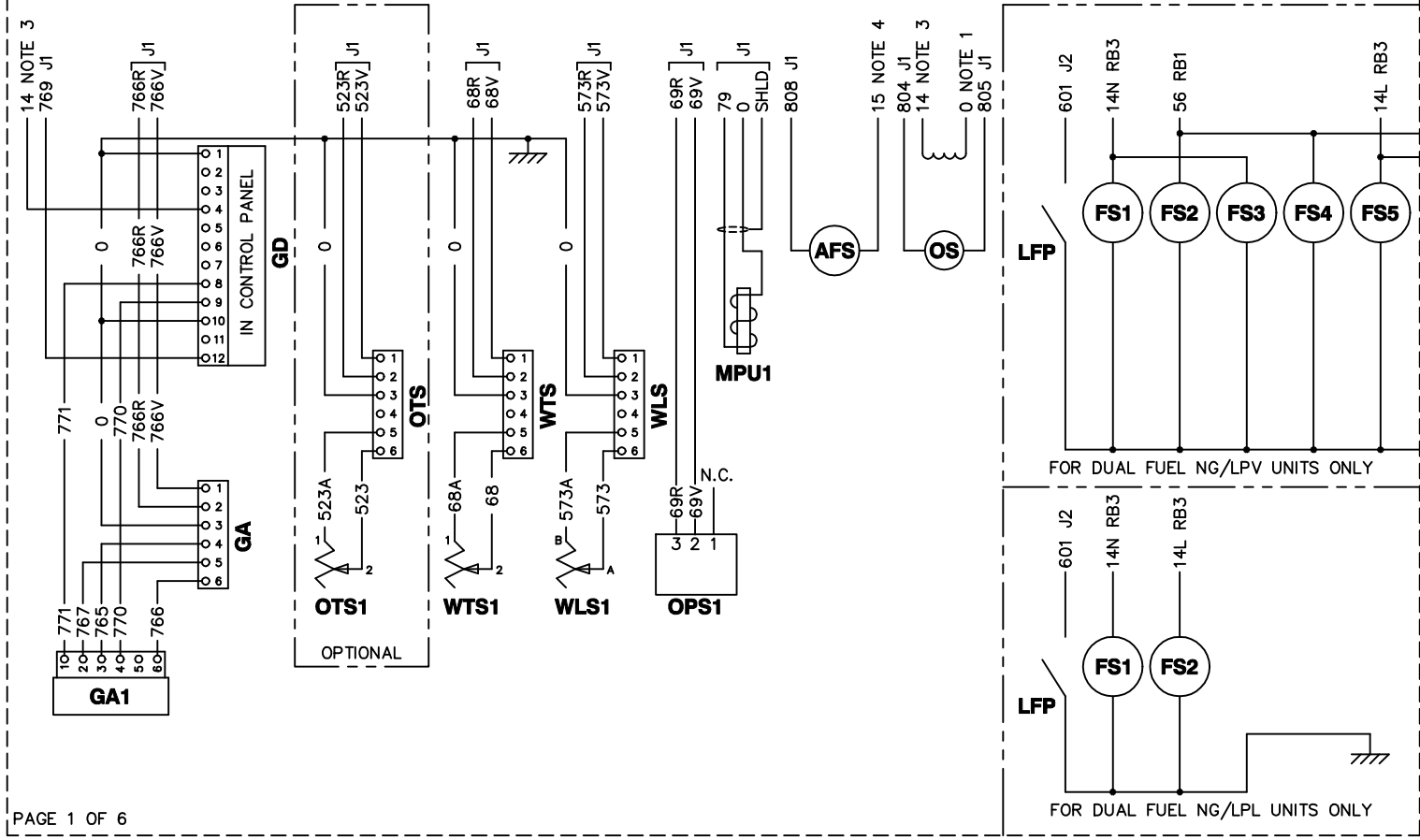
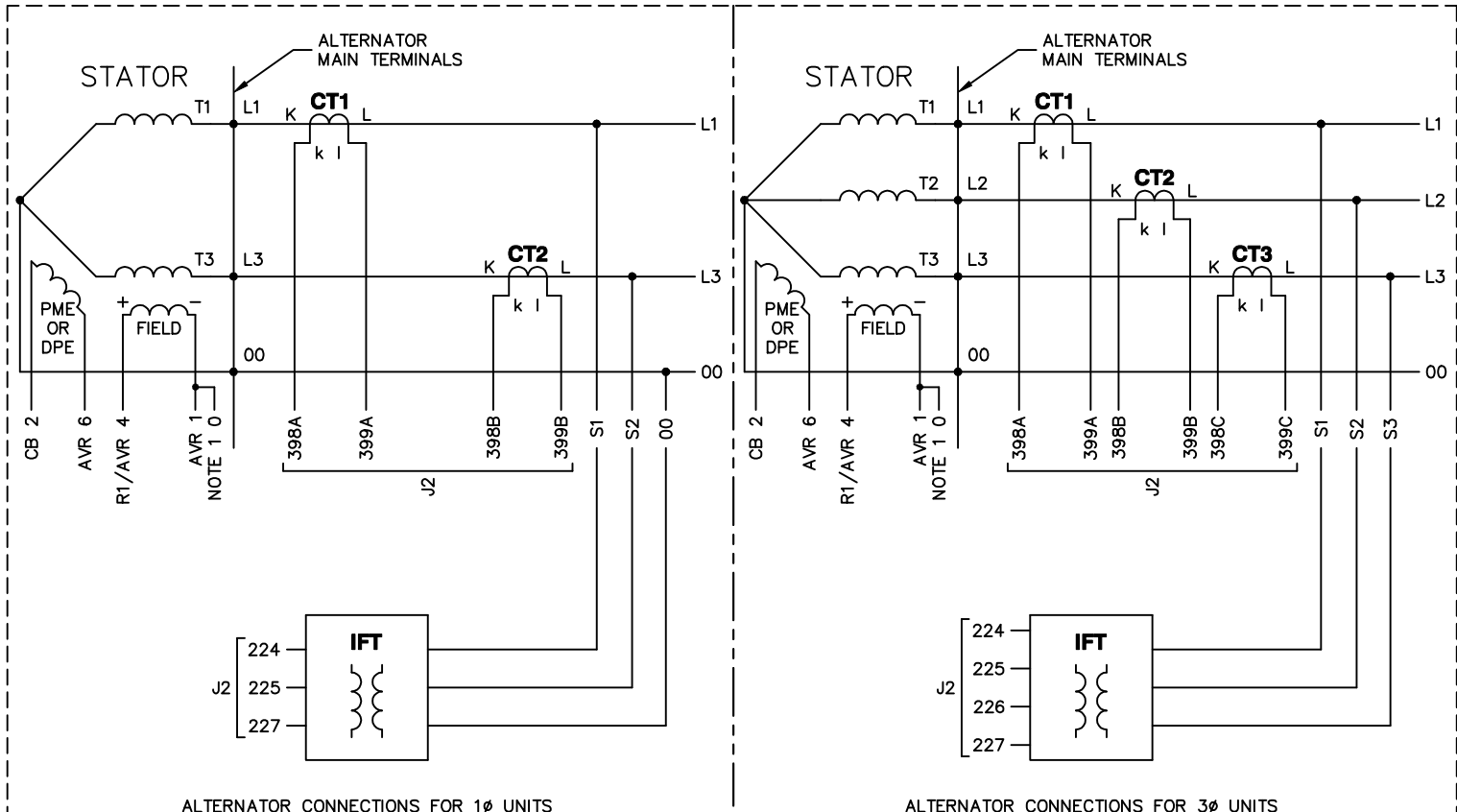
ENGINE CONTROL MODULE CONNECTORS

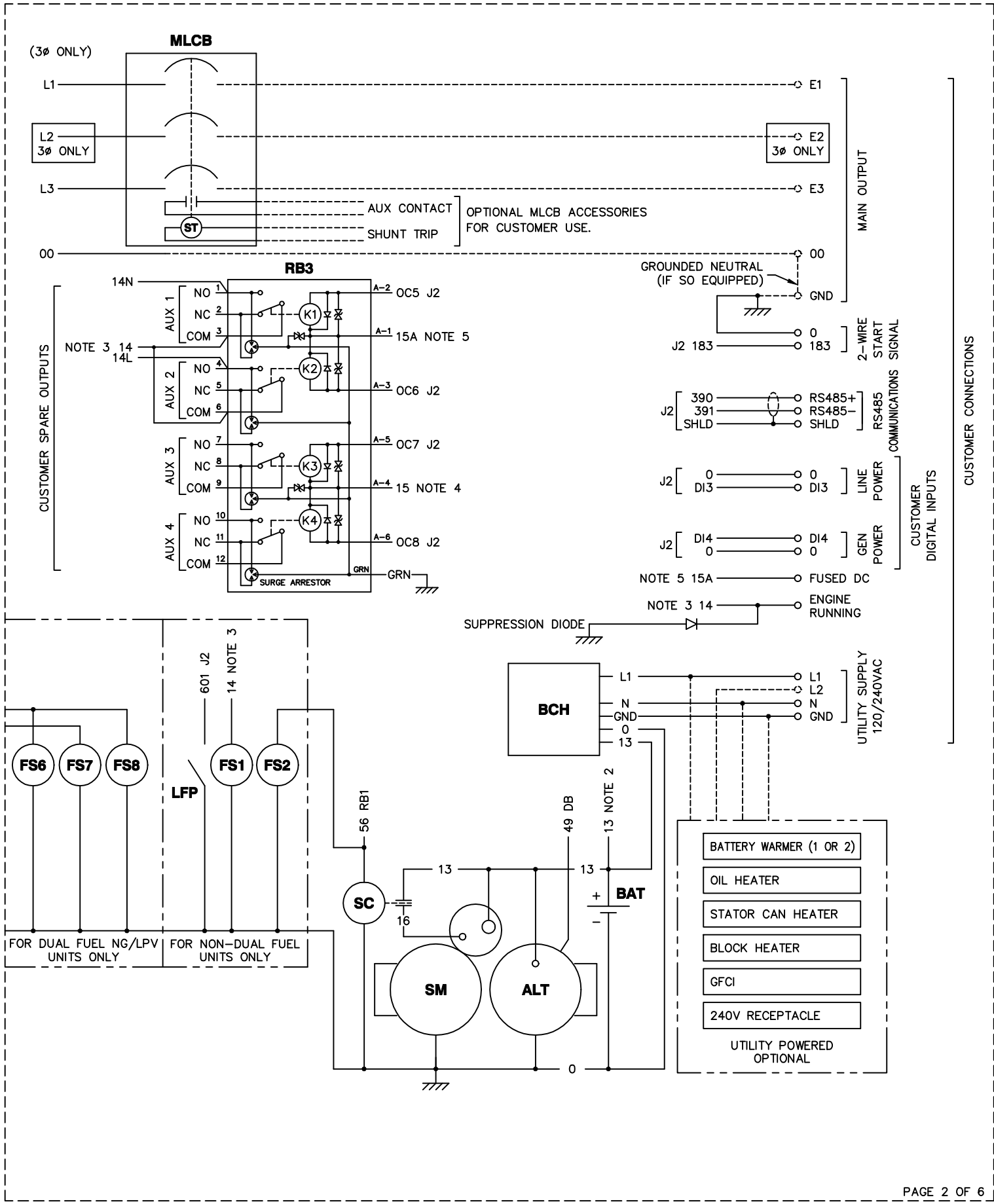
J1

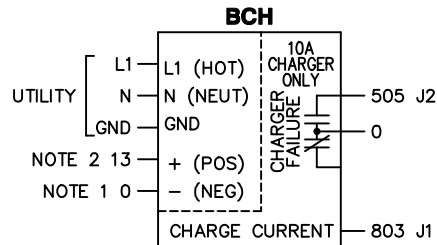
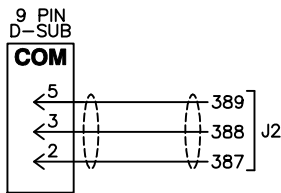
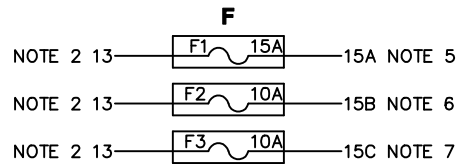
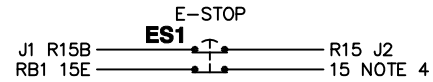
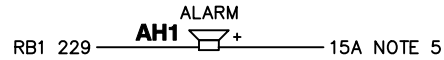
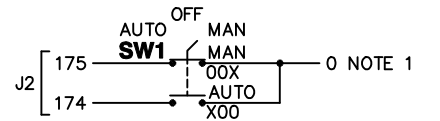
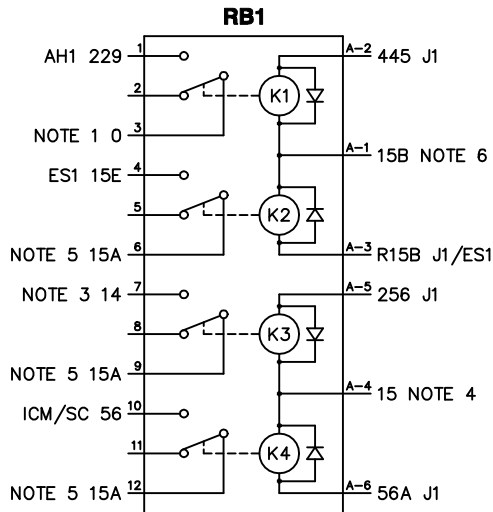


J2



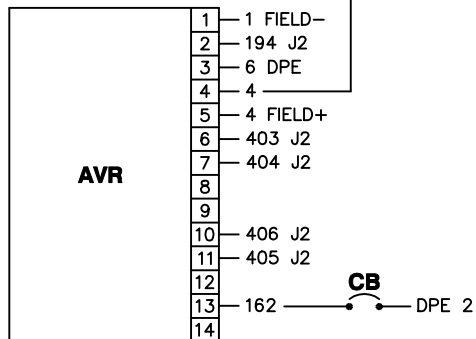
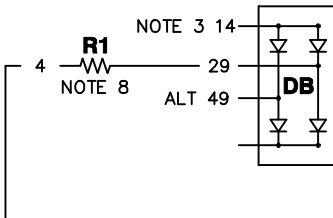


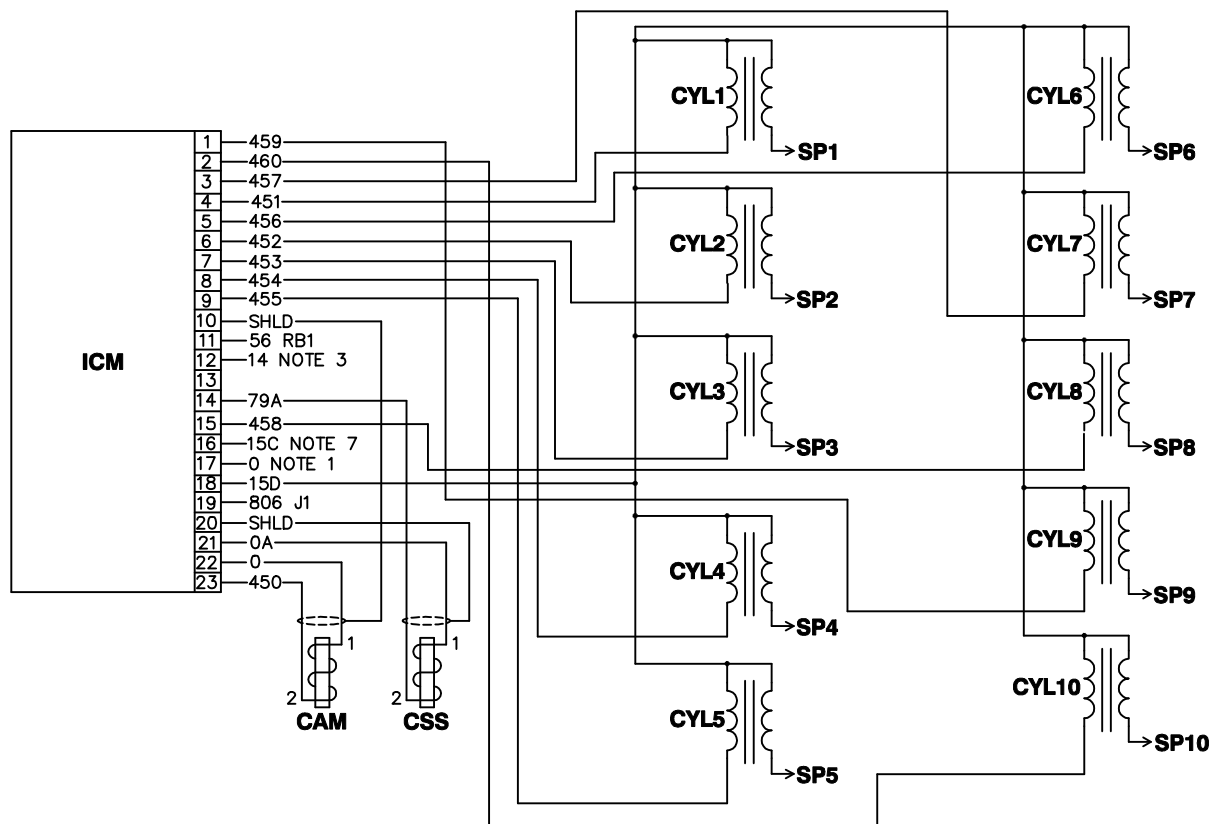




NOTE 8: R1 VALUE BASED ON ENGINE AND KW RATING

| RATING | VALUE |
|--------|-------|
| 70 KW | 25 Ω |
| 100 KW | 25 Ω |
| 130 KW | 25 Ω |
| 150 KW | 50 Ω |





| LEGEND | | |
|-----------------------------------|---------------------------------------|-----------------------------------|
| 00 - NEUTRAL | DB - DIODE BRIDGE | OPS1 - OIL PRESSURE SENDER |
| AFS - AIR/FUEL SOLENOID | DPE - EXCITER | OS - OXYGEN SENSOR |
| AH1 - ALARM HORN | ES1 - EMERGENCY STOP SWITCH | OTS_ - OIL TEMPERATURE SENDER |
| ALT - DC CHARGE ALTERNATOR | F_ - FUSE | PME - PERMANENT MAGNET EXCITER |
| AVR - AUTOMATIC VOLTAGE REGULATOR | FS_ - FUEL SOLENOID | R1 - RESISTOR |
| BAT - BATTERY | GA_ - GOVERNOR ACTUATOR | RB_ - RELAY BOARD |
| BCH - BATTERY CHARGER | GD - GOVERNOR DRIVER | SC - STARTER CONTACTOR |
| CAM - CAMSHAFT SENSOR | GFCI - GROUND FAULT CIRCUIT INTERRUPT | SM - STARTER MOTOR |
| CB - CIRCUIT BREAKER | ICM - IGNITION CONTROL MODULE | SP_ - SPARK PLUG |
| COM - COMMUNICATION CONNECTOR | IFT - INTERFACE TRANSFORMER | SW1 - OFF/AUTO/MANUAL SWITCH |
| CSS - CRANKSHAFT SENSOR | J_ - ENGINE CONTROL MODULE CONN. | WLS_ - COOLANT LEVEL SENSOR |
| CT_ - CURRENT TRANSFORMER | LFP - LOW FUEL PRESSURE | WTS_ - COOLANT TEMPERATURE SENDER |
| CUST CON - CUSTOMER CONNECTION | MLCB - MAIN LINE CIRCUIT BREAKER | |
| CYL_ - CYLINDER IGNITION COIL | MPU1 - MAGNETIC PICKUP | |

GD CONNECTOR

| PIN | WIRE | TO | FUNCTION |
|-----|------|-------|-------------------|
| 1 | 0 | GND | NOTE 1 |
| 4 | 14 | RB1-7 | NOTE 3 |
| 8 | 771 | GA1-1 | THROTTLE DRIVE LO |
| 9 | 770 | GA1-4 | THROTTLE DRIVE HI |
| 10 | 0 | GND | NOTE 1 |
| 12 | 769 | J1-33 | THROTTLE PWM |

AVR CONNECTOR

| PIN | WIRE | TO | FUNCTION |
|-----|------|----------|-----------------------|
| 1 | 1 | FIELD | - FIELD |
| 2 | 194 | J2-31 | +12VDC |
| 3 | 6 | DPE | PME OUTPUT |
| 4 | 4 | R1/FIELD | + FIELD |
| 5 | 4 | R1/FIELD | + FIELD |
| 6 | 403 | J2-8 | GATE TRIGGER B |
| 7 | 404 | J2-20 | GATE TRIGGER A |
| 10 | 406 | J2-30 | ZERO CROSSING I/P |
| 11 | 405 | J2-19 | GROUND (ISO) |
| 13 | 162 | CB | PME OUTPUT (AFTER CB) |

ICM - IGNITION MODULE CONNECTOR

| PIN | WIRE | TO | FUNCTION |
|-----|------|------------|-------------------------|
| 1 | 459 | CYL9 | IGNITION COIL DRIVE 9 |
| 2 | 460 | CYL10 | IGNITION COIL DRIVE 10 |
| 3 | 457 | CYL7 | IGNITION COIL DRIVE 7 |
| 4 | 451 | CYL1 | IGNITION COIL DRIVE 1 |
| 5 | 456 | CYL6 | IGNITION COIL DRIVE 6 |
| 6 | 452 | CYL2 | IGNITION COIL DRIVE 2 |
| 7 | 453 | CYL3 | IGNITION COIL DRIVE 3 |
| 8 | 454 | CYL4 | IGNITION COIL DRIVE 4 |
| 9 | 455 | CYL5 | IGNITION COIL DRIVE 5 |
| 10 | SHLD | CUT | CAMSHAFT SENSOR DRAIN |
| 11 | 56 | RB1-10 | STARTER RELAY OUT |
| 12 | 14 | RB1-7 | NOTE 3 |
| 14 | 79A | CSS-2 | CRANKSHAFT SENSOR + |
| 15 | 458 | CYL8 | IGNITION COIL DRIVE 8 |
| 16 | 15C | F3 | NOTE 7 |
| 17 | 0 | GND | NOTE 1 |
| 18 | 15D | CYL1-CYL10 | IGNITION COIL PWR |
| 19 | 806 | J1-27 | IGNITION ALARM |
| 20 | SHLD | CUT | CRANKSHAFT SENSOR DRAIN |
| 21 | 0A | CSS-1 | CRANKSHAFT SENSOR - |
| 22 | 0 | CAM-1 | CAMSHAFT SENSOR - |
| 23 | 450 | CAM-2 | CAMSHAFT SENSOR + |

ENGINE CONTROL MODULE CONNECTIONS

J1

| PIN | WIRE | TO | FUNCTION |
|-----|------|------------|---------------------------|
| 3 | 810 | MOD-2 | MODEM SIGNAL RETURN |
| 4 | 805 | OS | OXYGEN SENSOR RTN |
| 5 | 804 | OS | OXYGEN SENSOR + |
| 8 | 523R | OTS-2 | OIL TEMPERATURE RTN |
| 9 | 523V | OTS-1 | OIL TEMPERATURE + |
| 10 | R15B | RB1A-3/ES1 | OVERSPEED/WATCHDOG |
| 11 | 256 | RB1A-5 | FUEL RELAY |
| 12 | 0 | GND | NOTE 1 |
| 14 | 811 | MOD-3 | MODEM DATA CARRIER DETECT |
| 15 | 68V | WTS-1 | COOLANT TEMP + |
| 16 | 803 | BCH | BAT CHARGER CURRENT |
| 17 | 766R | GA-2 | THROTTLE POS RTN |
| 18 | 766V | GA-1 | THROTTLE POS + |
| 19 | 69R | OPS1-3 | OIL PRESS RTN |
| 20 | 69V | OPS1-2 | OIL PRESS + |
| 21 | 808 | AFS | AIR/FUEL SOLENOID |
| 23 | 56A | RB1A-6 | STARTER RELAY |
| 24 | 0 | MPU1-2 | MPU1 SIGNAL (-) |
| 25 | 79 | MPU1-3 | MPU1 SIGNAL (+) |
| 26 | 812 | MOD-4 | MODEM ENABLE |
| 27 | 806 | ICM-19 | IGNITION ALARM |
| 29 | 573R | WLS-2 | COOLANT LVL RTN |
| 30 | 573V | WLS-1 | COOLANT LVL + |
| 31 | 68R | WTS-2 | COOLANT TEMP RTN |
| 32 | 809 | MOD-1 | MODEM 12V POWER |
| 33 | 769 | GD-12 | THROTTLE PWM |
| 34 | 445 | RB1A-2 | ALARM RELAY |
| 35 | 15B | F2 | NOTE 6 |

J2

| PIN | WIRE | TO | FUNCTION |
|------|------|----------|-----------------------|
| 1 | 391 | CUST CON | RS485- (XFER SW) |
| 2 | 388 | COM-3 | RS232 TX (GENLINK) |
| 3 | DI3 | CUST CON | LINE POWER SIGNAL |
| 4 | 183 | CUST CON | REMOTE START |
| 5 | 174 | SW1 | "AUTO" START |
| 6 | 224 | IFT | V SENSE GEN A PH |
| 7 | 227 | IFT | V SENSE RTN |
| 8 | 403 | AVR-6 | AVR GATE TRIGGER B |
| * 9 | 399C | CT3 | GEN C PH CURRENT - |
| * 10 | 398C | CT3 | GEN C PH CURRENT + |
| 11 | 399A | CT1 | GEN A PH CURRENT - |
| 12 | 398A | CT1 | GEN A PH CURRENT + |
| 13 | 390 | CUST CON | RS485+ (XFER SW) |
| 14 | 387 | COM-2 | RS232 RX (GENLINK) |
| 15 | 601 | LFP | LOW FUEL PRESSURE |
| 16 | R15 | ES1 | EMERGENCY STOP |
| * 17 | 226 | IFT | V SENSE GEN C PH |
| 19 | 405 | AVR-11 | AVR GROUND |
| 20 | 404 | AVR-7 | AVR GATE TRIGGER A |
| 21 | OC8 | RB3A-6 | SPARE OUTPUT 4 |
| 22 | OC6 | RB3A-3 | SPARE OUTPUT 2 |
| 23 | OC5 | RB3A-2 | SPARE OUTPUT 1 |
| 24 | SHLD | CUST CON | RS485 DRAIN (XFER SW) |
| 25 | 389 | COM-5 | RS232 COM (GENLINK) |
| 26 | DI4 | CUST CON | GEN POWER SIGNAL |
| 27 | 505 | BCH | BAT CHARGER FAIL |
| 28 | 175 | SW1 | "MANUAL" START |
| 29 | 225 | IFT | V SENSE GEN B PH |
| 30 | 406 | AVR-10 | AVR ZERO CROSSING I/P |
| 31 | 194 | AVR-2 | AVR +12VDC |
| 33 | OC7 | RB3A-5 | SPARE OUTPUT 3 |
| 34 | 399B | CT2 | GEN B PH CURRENT- |
| 35 | 398B | CT2 | GEN B PH CURRENT+ |

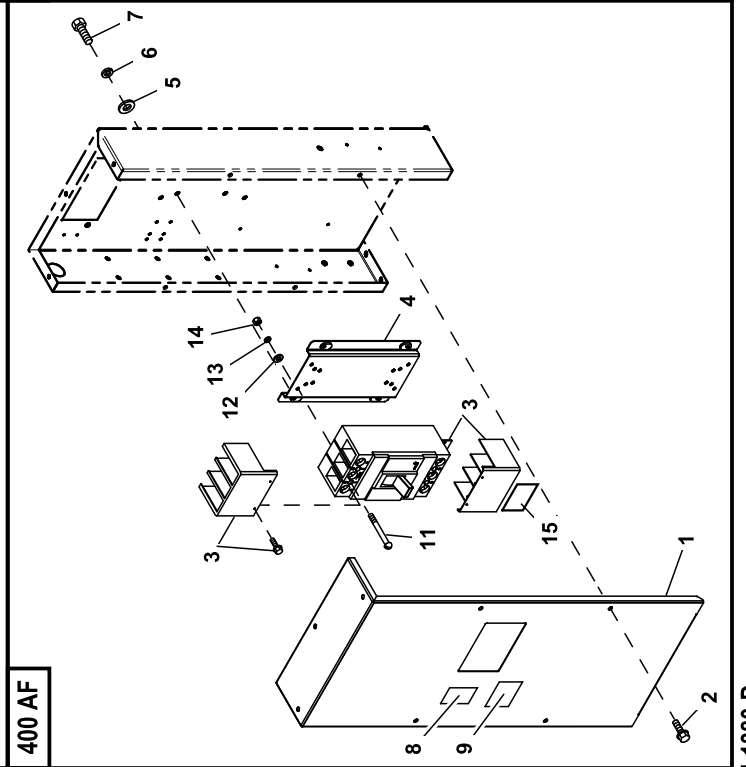
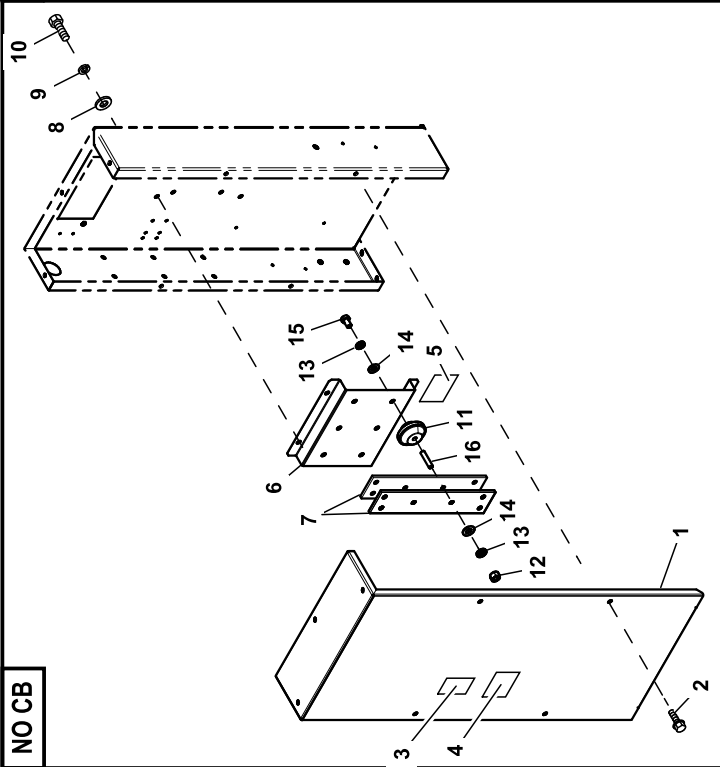
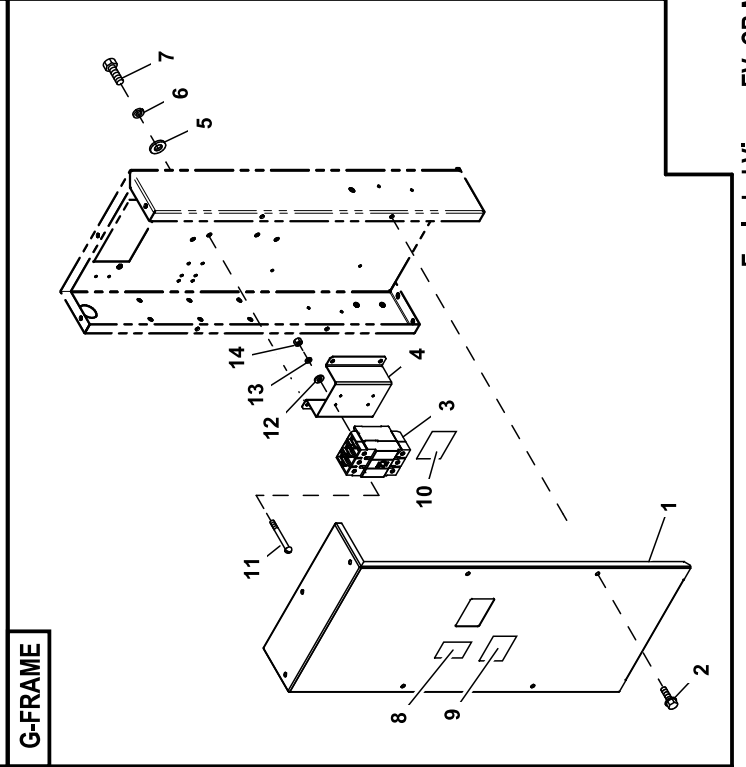
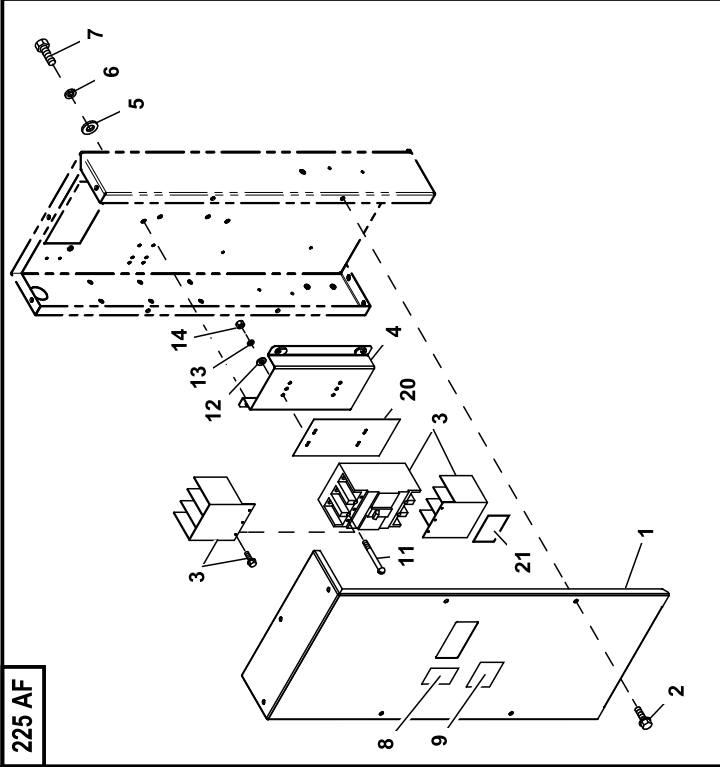
* - CONNECTIONS NOT USED IN 1Ø UNITS.

NOTES:

- 1) WIRE# 0 IS CHASSIS GROUND (BATTERY-) UNLESS NOTED OTHERWISE.
- 2) WIRE# 13 IS UNFUSED +12VDC (BATTERY+).
- 3) WIRE# 14 IS FUSED +12VDC WHEN GENERATOR IS CRANKING OR RUNNING.
- 4) WIRE# 15 IS FUSED +12VDC WHEN E-STOP IS NOT ACTIVATED.
- 5) WIRE# 15A IS FUSED +12VDC FOR GENERAL USE.
- 6) WIRE# 15B IS FUSED +12VDC FOR THE ENGINE CONTROL MODULE.
- 7) WIRE# 15C IS FUSED +12VDC FOR THE IGNITION.

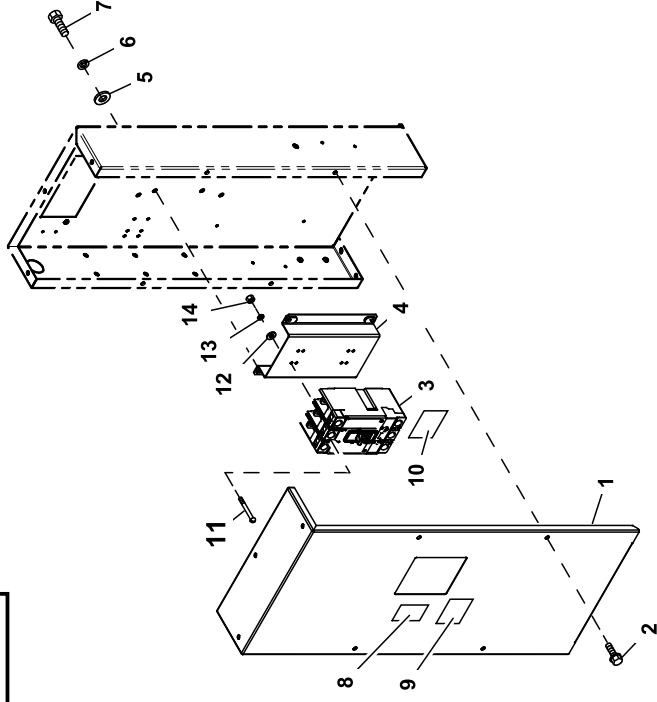
PAGE LEFT BLANK INTENTIONALLY

GROUP H

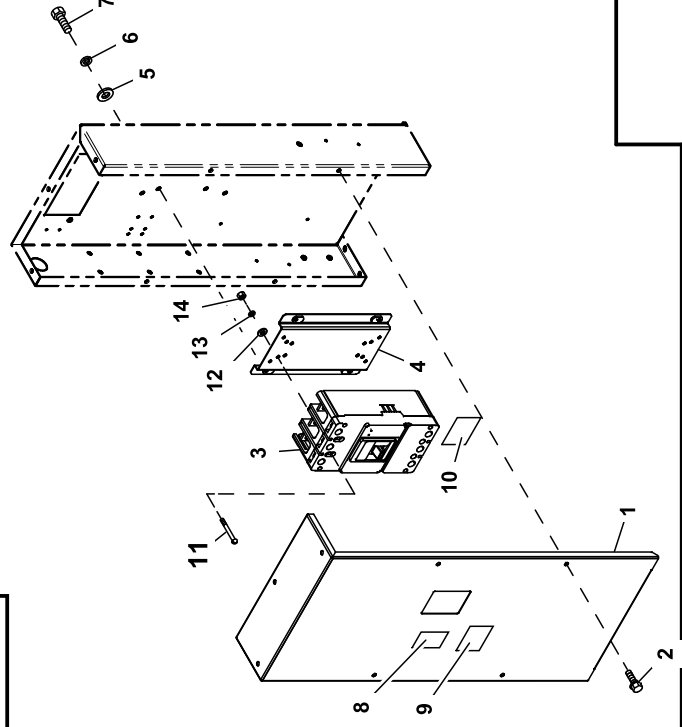


GROUP H

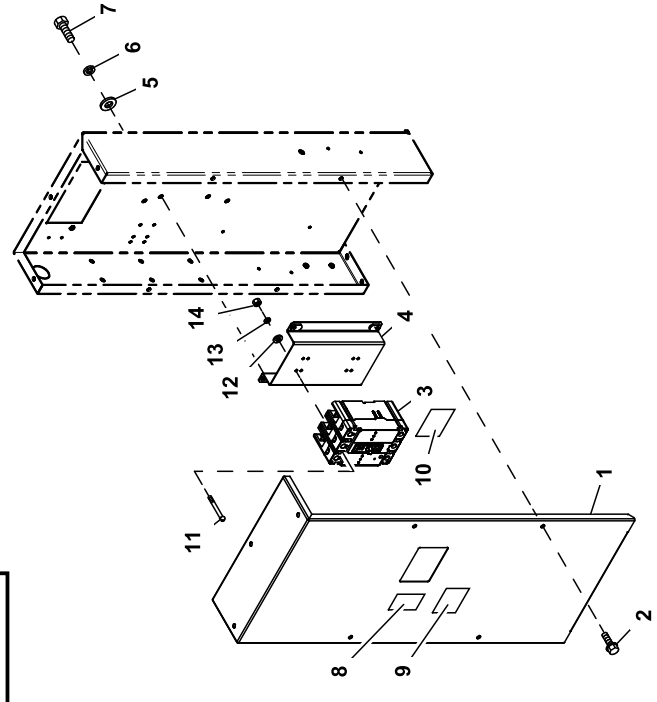
JG-FRAME



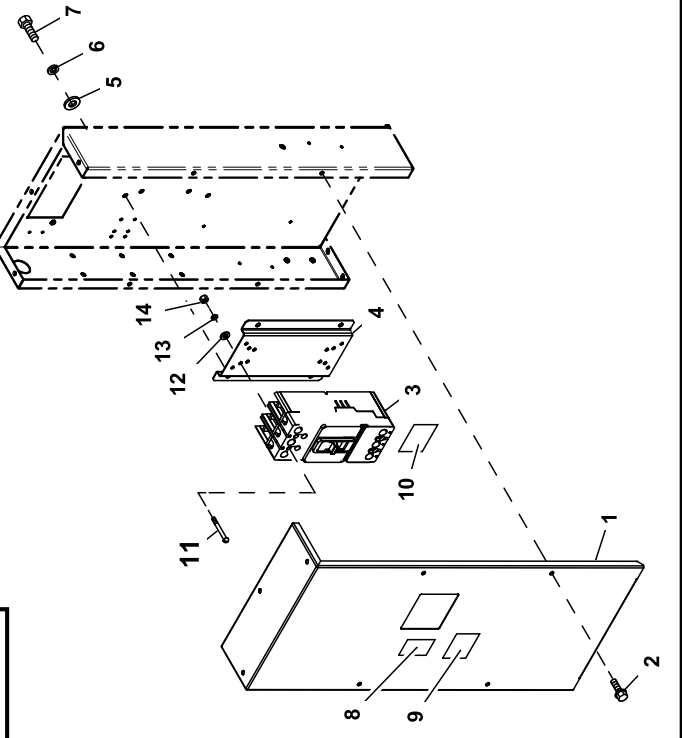
K-FRAME



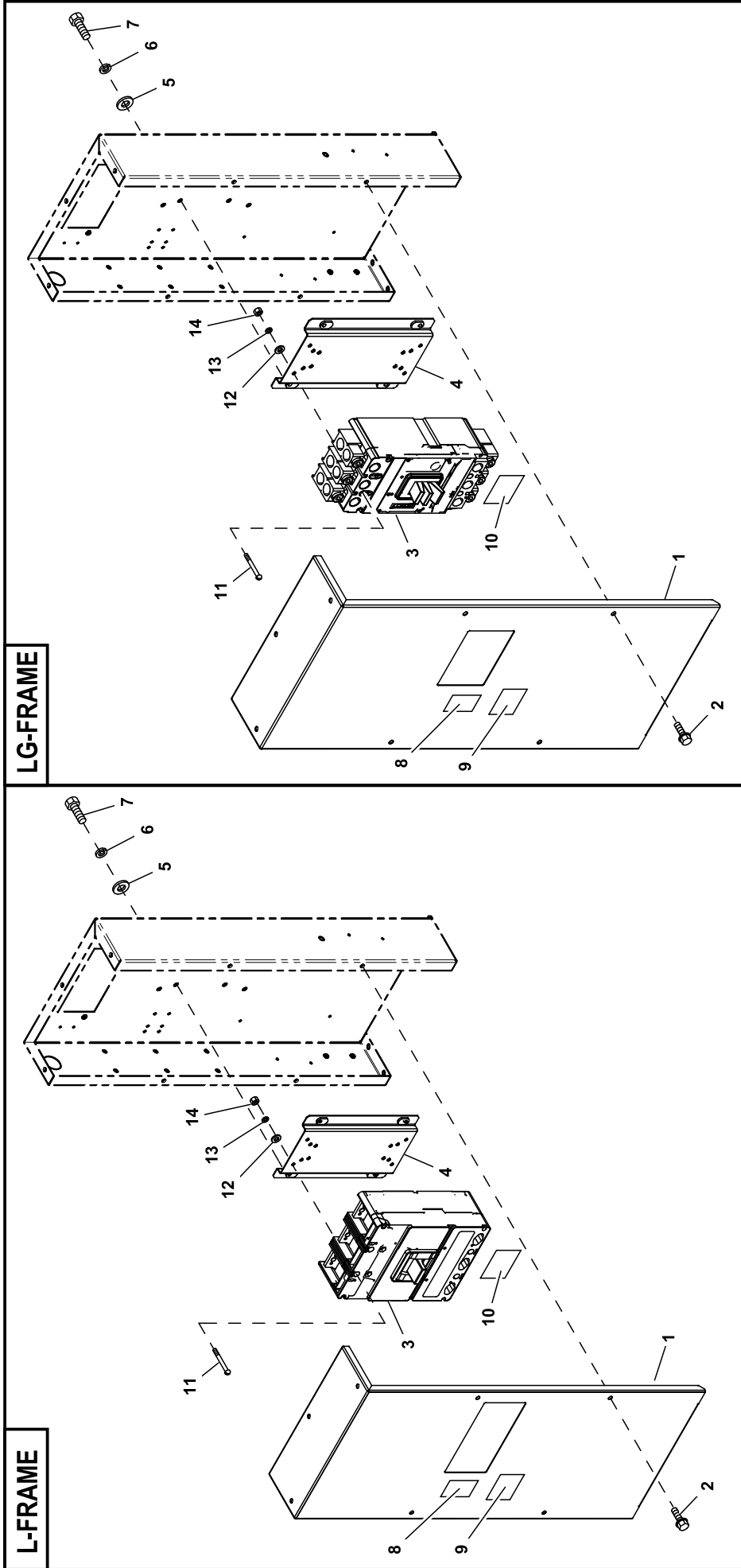
F-FRAME



J-FRAME



GROUP H



L-FRAME

LG-FRAME

EXPLODED VIEW: EV, CB MOUNTING KIT MD1 390

DRAWING #: 0J1027

GROUP H

APPLICABLE TO:

| ITEM | PART# | QTY. | DESCRIPTION |
|------------------------------|-------------|------|---------------------------------|
| NO CIRCUIT BREAKERS | | | |
| (1)1 | 0H93780ST0R | 1 | MD1,MODULE COVER 390 G-FRAME |
| 2 | 0C2454 | 9 | SCREW HWHT M6-1 X 16 N WA Z/JS |
| 3 | 0J0679 | 1 | DECAL, CANADIAN SAFETY CODE |
| 4 | 0J0546 | 1 | DECAL, HV CUSTOMER CONN INSIDE |
| 5 | 0D3719C | REF | DECAL, HV CUSTOMER CONN INSIDE |
| | 0D3719D | REF | DECAL CUSTOMER CONN E1 E3 |
| (1)6 | 0J34710ST0R | 1 | MD1-MD3 NO CB MNT BRACKET |
| 7 | 0J3958 | REF | CU BUSS BAR 1/4"X2.5" 625A |
| 8 | 022145 | 4 | WASHER FLAT 5/16-M8 ZINC |
| 9 | 022129 | 4 | WASHER LOCK M8-5/16 |
| 10 | 042907 | 4 | SCREW HHC M8-1.25 X 16 C8.8 |
| 11 | 0C6937M | 6 | INSULATOR, STANDOFF 600V3/8-16 |
| 12 | 022241 | 6 | NUT HEX 3/8-16 STEEL |
| 13 | 022237 | 12 | WASHER LOCK 3/8 |
| 14 | 022131 | 12 | WASHER FLAT 3/8-M10 ZINC |
| 15 | 032414 | 8 | SCREW HHC 3/8-16 X 5/8 G5 |
| 16 | 090865 | 6 | STUD 3/8-16 X 1.75 G5 STEEL |
| UL CIRCUIT BREAKER (225AF) | | | |
| (1)1 | 0H9378EST0R | 1 | MD1,MODULE COVER 390 GEN-225 |
| | 0H9378KST0R | 1 | MD1,CB COVER 390 GEN-225 1PH |
| 2 | 0C2454 | 7 | SCREW HWHT M6-1 X 16 N WA Z/JS |
| 3 | REF | 1 | CIRCUIT BREAKER |
| (1)4 | 0J14770ST0R | 1 | MD1, C/B MOUNTING BRACKET 225 |
| 5 | 022145 | 4 | WASHER FLAT 5/16-M8 ZINC |
| 6 | 022129 | 4 | WASHER LOCK M8-5/16 |
| 7 | 042907 | 4 | SCREW HHC M8-1.25 X 16 C8.8 |
| 8 | 0J0679 | 1 | DECAL, CANADIAN SAFETY CODE |
| 9 | 0J0546 | 1 | DECAL, HV CUSTOMER CONN INSIDE |
| (2)11 | 053640 | 2/4 | SCREW RHM #8-32 X 3-1/4 |
| (2)12 | 038150 | 2/4 | WASHER FLAT #8 ZINC |
| (2)13 | 022264 | 2/4 | WASHER LOCK #8-M4 |
| (2)14 | 022471 | 2/4 | NUT HEX #8-32 STEEL |
| 20 | 0F8432 | 1 | INSUL CB 225AF (3 PHASE) |
| | 0F8432A | 1 | INSULATOR CB 2P 225AF (1 PHASE) |
| 21 | 0D3719C | REF | DECAL CUSTOMER CONN E1 E2 E3 |
| | 0D3719D | REF | DECAL CUSTOMER CONN E1 E3 |
| UL CIRCUIT BREAKER (400AF) | | | |
| (1)1 | 0H9378JST0R | 1 | MD1,MODULE COVER 390 GEN-400 |
| 2 | 0C2454 | 7 | SCREW HWHT M6-1 X 16 N WA Z/JS |
| 3 | REF | 1 | CIRCUIT BREAKER |
| (1)4 | 0J00680ST0R | 1 | MD2, C/B BACK MOUNTING BRACKET |
| 5 | 022145 | 4 | WASHER FLAT 5/16-M8 ZINC |
| 6 | 022129 | 4 | WASHER LOCK M8-5/16 |
| 7 | 042907 | 4 | SCREW HHC M8-1.25 X 16 C8.8 |
| 8 | 0J0679 | 1 | DECAL, CANADIAN SAFETY CODE |
| 9 | 0J0546 | 1 | DECAL, HV CUSTOMER CONN INSIDE |
| 11 | 069232 | 4 | SCREW RHM #10-32 X 3-3/4 |
| 12 | 023897 | 4 | WASHER FLAT #10 ZINC |
| 13 | 022152 | 4 | WASHER LOCK #10 |
| 14 | 022158 | 4 | NUT HEX #10-32 STEEL |
| 15 | 0D3719C | REF | DECAL CUSTOMER CONN E1 E2 E3 |
| | 0D3719D | REF | DECAL CUSTOMER CONN E1 E3 |
| UL CIRCUIT BREAKER (G-FRAME) | | | |
| (1)1 | 0H9378AST0R | 1 | MD1,MODULE COVER 390 G-FRAME |
| 2 | 0C2454 | 7 | SCREW HWHT M6-1 X 16 N WA Z/JS |
| 3 | REF | 1 | CIRCUIT BREAKER |
| (1)4 | 0J14880ST0R | 1 | MD1, C/B MOUNTING BRACKET G |
| 5 | 022145 | 4 | WASHER FLAT 5/16-M8 ZINC |
| 6 | 022129 | 4 | WASHER LOCK M8-5/16 |
| 7 | 042907 | 4 | SCREW HHC M8-1.25 X 16 C8.8 |
| 8 | 0J0679 | 1 | DECAL, CANADIAN SAFETY CODE |
| 9 | 0J0546 | 1 | DECAL, HV CUSTOMER CONN INSIDE |
| 10 | 0D3719C | REF | DECAL CUSTOMER CONN E1 E2 E3 |
| | 0D3719D | REF | DECAL CUSTOMER CONN E1 E3 |

EXPLODED VIEW: EV, CB MOUNTING KIT MD1 390

DRAWING #: 0J1027

GROUP H

APPLICABLE TO:

| | | | |
|----|--------|---|-----------------------------|
| 11 | 0J4465 | 4 | SCREW SHC M4-0.7 X 80 C12.9 |
| 12 | 043180 | 4 | WASHER FLAT M4 |
| 13 | 022264 | 4 | WASHER LOCK #8-M4 |
| 14 | 051715 | 4 | NUT HEX M4-0.7 G8 YEL CH |

| ITEM | PART# | QTY. | DESCRIPTION |
|------|-------|------|-------------|
|------|-------|------|-------------|

| ITEM | PART# | QTY. | DESCRIPTION |
|--------------------------------|-------------|------|--------------------------------|
| UL CIRCUIT BREAKER (F -FRAME) | | | |
| (1)1 | 0H9378BST0R | 1 | MD1,MODULE COVER 390 F-FRAME |
| 2 | 0C2454 | 7 | SCREW HWHT M6-1 X 16 N WA Z/JS |
| 3 | REF | 1 | CIRCUIT BREAKER |
| (1)4 | 0J14860ST0R | 1 | MD1, C/B MOUNTING BRACKET F |
| 5 | 022145 | 4 | WASHER FLAT 5/16-M8 ZINC |
| 6 | 022129 | 4 | WASHER LOCK M8-5/16 |
| 7 | 042907 | 4 | SCREW HHC M8-1.25 X 16 C8.8 |
| 8 | 0J0679 | 1 | DECAL, CANADIAN SAFETY CODE |
| 9 | 0J0546 | 1 | DECAL, HV CUSTOMER CONN INSIDE |
| 10 | 0D3719C | REF | DECAL CUSTOMER CONN E1 E2 E3 |
| | 0D3719D | REF | DECAL CUSTOMER CONN E1 E3 |
| 11 | 0J4899 | 4 | SCREW SHC M4-0.7 X 45 C12.9 |
| 12 | 043180 | 4 | WASHER FLAT M4 |
| 13 | 022264 | 4 | WASHER LOCK #8-M4 |
| 14 | 051715 | 4 | NUT HEX M4-0.7 G8 YEL CHR |
| UL CIRCUIT BREAKER (JG -FRAME) | | | |
| (1)1 | 0H9378DST0R | 1 | MD1,MODULE COVER 390 JG-FRAME |
| 2 | 0C2454 | 7 | SCREW HWHT M6-1 X 16 N WA Z/JS |
| 3 | REF | 1 | CIRCUIT BREAKER |
| (1)4 | 0J14860ST0R | 1 | MD1, C/B MOUNTING BRACKET F |
| 5 | 022145 | 4 | WASHER FLAT 5/16-M8 ZINC |
| 6 | 022129 | 4 | WASHER LOCK M8-5/16 |
| 7 | 042907 | 4 | SCREW HHC M8-1.25 X 16 C8.8 |
| 8 | 0J0679 | 1 | DECAL, CANADIAN SAFETY CODE |
| 9 | 0J0546 | 1 | DECAL, HV CUSTOMER CONN INSIDE |
| 10 | 0D3719C | REF | DECAL CUSTOMER CONN E1 E2 E3 |
| | 0D3719D | REF | DECAL CUSTOMER CONN E1 E3 |
| 11 | 0J4466 | 4 | SCREW SHC M4-0.7 X 100 C12.9 |
| 12 | 043180 | 4 | WASHER FLAT M4 |
| 13 | 022264 | 4 | WASHER LOCK #8-M4 |
| 14 | 051715 | 4 | NUT HEX M4-0.7 G8 YEL CHR |
| UL CIRCUIT BREAKER (J -FRAME) | | | |
| (1)1 | 0H9378CST0R | 1 | MD1,MODULE COVER 390 J-FRAME |
| 2 | 0C2454 | 7 | SCREW HWHT M6-1 X 16 N WA Z/JS |
| 3 | REF | 1 | CIRCUIT BREAKER |
| (1)4 | 0J00680ST0R | 1 | MD2, C/B BACK MOUNTING BRACKET |
| 5 | 022145 | 4 | WASHER FLAT 5/16-M8 ZINC |
| 6 | 022129 | 4 | WASHER LOCK M8-5/16 |
| 7 | 042907 | 4 | SCREW HHC M8-1.25 X 16 C8.8 |
| 8 | 0J0679 | 1 | DECAL, CANADIAN SAFETY CODE |
| 9 | 0J0546 | 1 | DECAL, HV CUSTOMER CONN INSIDE |
| 10 | 0D3719C | REF | DECAL CUSTOMER CONN E1 E2 E3 |
| | 0D3719D | REF | DECAL CUSTOMER CONN E1 E3 |
| 11 | 049967 | 4 | SCREW SHC M6-1.0 X 70 C12.9 |
| 12 | 022473 | 4 | WASHER FLAT 1/4-M6 ZINC |
| 13 | 022097 | 4 | WASHER LOCK M6-1/4 |
| 14 | 049813 | 4 | NUT HEX M6-1.0 G8 CLEAR ZINC |
| UL CIRCUIT BREAKER (K -FRAME) | | | |
| (1)1 | 0H9378FST0R | 1 | MD1,MODULE COVER 390 K-FRAME |
| 2 | 0C2454 | 7 | SCREW HWHT M6-1 X 16 N WA Z/JS |
| 3 | REF | 1 | CIRCUIT BREAKER |
| (1)4 | 0J00680ST0R | 1 | MD2, C/B BACK MOUNTING BRACKET |
| 5 | 022145 | 4 | WASHER FLAT 5/16-M8 ZINC |
| 6 | 022129 | 4 | WASHER LOCK M8-5/16 |
| 7 | 042907 | 4 | SCREW HHC M8-1.25 X 16 C8.8 |
| 8 | 0J0679 | 1 | DECAL, CANADIAN SAFETY CODE |
| 9 | 0J0546 | 1 | DECAL, HV CUSTOMER CONN INSIDE |
| 10 | 0D3719C | REF | DECAL CUSTOMER CONN E1 E2 E3 |
| | 0D3719D | REF | DECAL CUSTOMER CONN E1 E3 |

EXPLODED VIEW: EV, CB MOUNTING KIT MD1 390

DRAWING #: 0J1027

GROUP H

APPLICABLE TO:

| | | | |
|----|--------|---|------------------------------|
| 11 | 046580 | 4 | SCREW SHC M6-1.0 X 45 C12.9 |
| 12 | 022473 | 4 | WASHER FLAT 1/4-M6 ZINC |
| 13 | 022097 | 4 | WASHER LOCK M6-1/4 |
| 14 | 049813 | 4 | NUT HEX M6-1.0 G8 CLEAR ZINC |

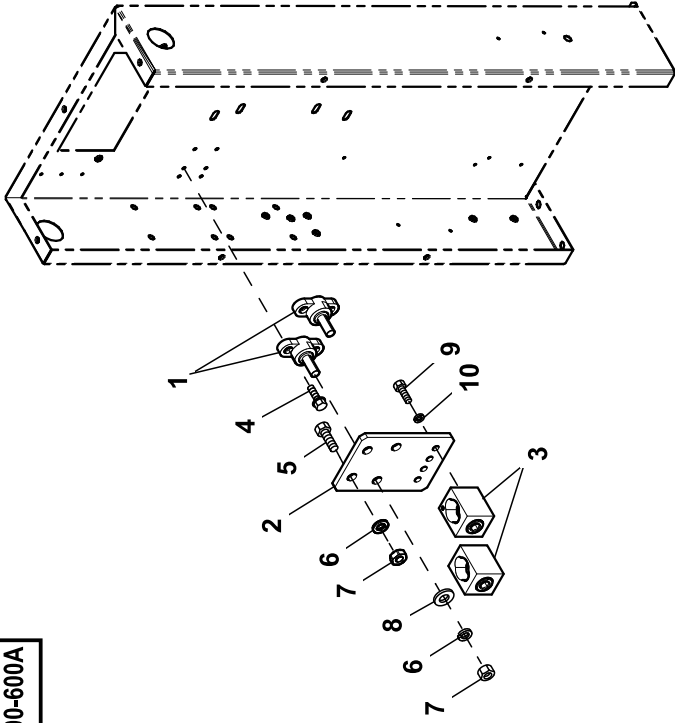
| ITEM | PART# | QTY. | DESCRIPTION |
|-------------------------------|-------------|------|--------------------------------|
| UL CIRCUIT BREAKER (L -FRAME) | | | |
| (1)1 | 0H9378GST0R | 1 | MD1,MODULE COVER 390 L-FRAME |
| 2 | 0C2454 | 7 | SCREW HWHT M6-1 X 16 N WA Z/JS |
| 3 | REF | 1 | CIRCUIT BREAKER |
| (1)4 | 0J00680ST0R | 1 | MD2, C/B BACK MOUNTING BRACKET |
| 5 | 022145 | 4 | WASHER FLAT 5/16-M8 ZINC |
| 6 | 022129 | 4 | WASHER LOCK M8-5/16 |
| 7 | 042907 | 4 | SCREW HHC M8-1.25 X 16 C8.8 |
| 8 | 0J0679 | 1 | DECAL, CANADIAN SAFETY CODE |
| 9 | 0J0546 | 1 | DECAL, HV CUSTOMER CONN INSIDE |
| 10 | 0D3719C | REF | DECAL CUSTOMER CONN E1 E2 E3 |
| | 0D3719D | REF | DECAL CUSTOMER CONN E1 E3 |
| 11 | 046580 | 4 | SCREW SHC M6-1.0 X 45 C12.9 |
| 12 | 022473 | 4 | WASHER FLAT 1/4-M6 ZINC |
| 13 | 022097 | 4 | WASHER LOCK M6-1/4 |
| 14 | 049813 | 4 | NUT HEX M6-1.0 G8 CLEAR ZINC |
| UL CIRCUIT BREAKER (LG-FRAME) | | | |
| (1)1 | 0H9378HST0R | 1 | MD1,MODULE COVER 390 LG-FRAME |
| 2 | 0C2454 | 7 | SCREW HWHT M6-1 X 16 N WA Z/JS |
| 3 | REF | 1 | CIRCUIT BREAKER |
| (1)4 | 0J00680ST0R | 1 | MD2, C/B BACK MOUNTING BRACKET |
| 5 | 022145 | 4 | WASHER FLAT 5/16-M8 ZINC |
| 6 | 022129 | 4 | WASHER LOCK M8-5/16 |
| 7 | 042907 | 4 | SCREW HHC M8-1.25 X 16 C8.8 |
| 8 | 0J0679 | 1 | DECAL, CANADIAN SAFETY CODE |
| 9 | 0J0546 | 1 | DECAL, HV CUSTOMER CONN INSIDE |
| 10 | 0D3719C | REF | DECAL CUSTOMER CONN E1 E2 E3 |
| | 0D3719D | REF | DECAL CUSTOMER CONN E1 E3 |
| 11 | 0J4467 | 4 | SCREW SHC M5-0.8 X 100 C12.9 |
| 12 | 051713 | 4 | WASHER FLAT M5 |
| 13 | 049226 | 4 | WASHER LOCK M5 |
| 14 | 051716 | 4 | NUT HEX M5-0.8 G8 CLEAR ZINC |

NOTES (UNLESS OTHERWISE SPECIFIED):

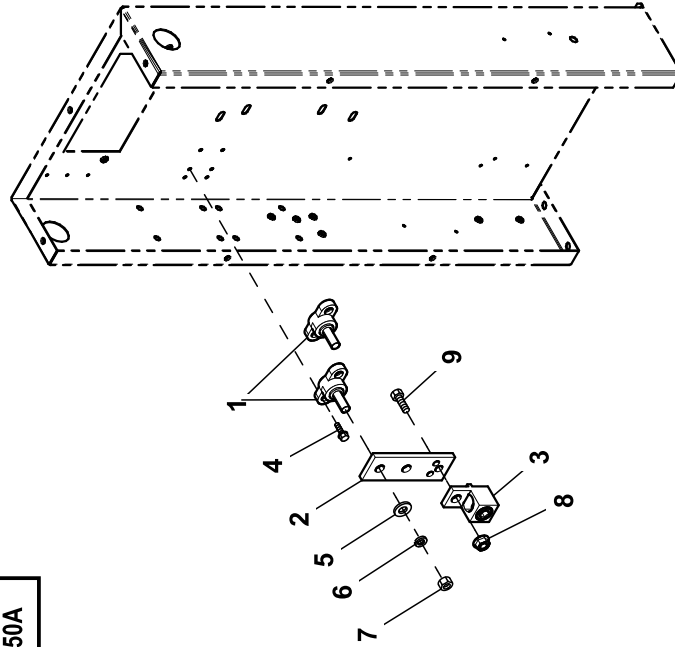
- (1) SHEET METAL PARTS LISTED IN THE BOM TABLE ARE REPRESENTING GENERIC PARTS (NO COLOR)
 - MANUFACTURING: FOR CORRECT MATERIAL AND COLOR REFER TO AS400 BOM.
 - CUSTOMER: WHEN ORDERING REPLACEMENT PARTS ENTER BASE NUMBER (FIRST 6 DIGITS ONLY) IN THE SYSTEM FOR CORRECT MATERIAL AND COLOR (FOR REFERENCE SEE GUIDELINE 0H7169).
- (2) QTY. REQUIRED FOR 1Ø BREAKER / QTY. REQUIRED FOR 3Ø BREAKER.

GROUP H

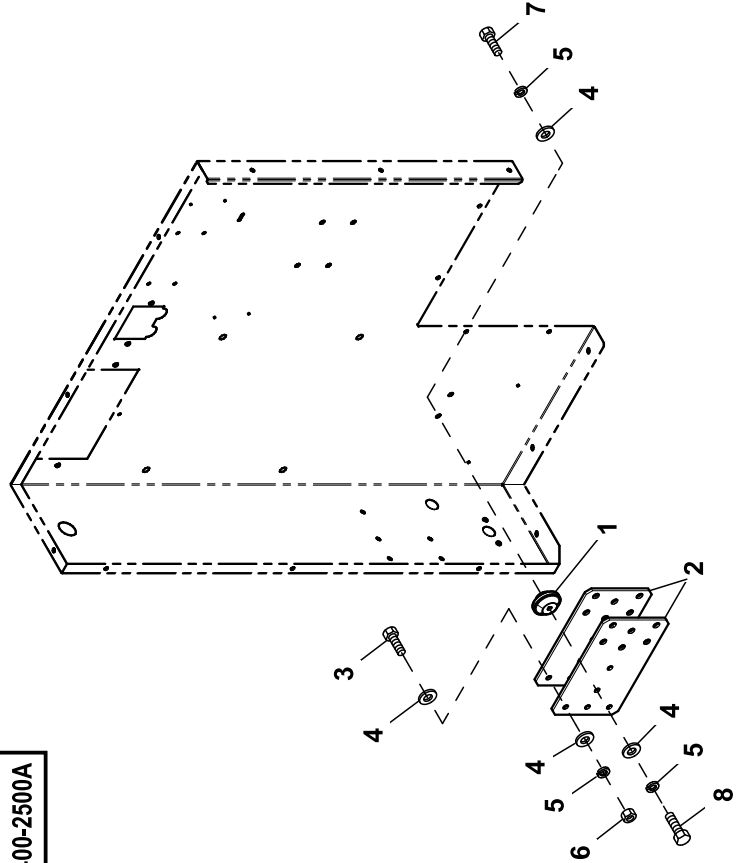
300-600A



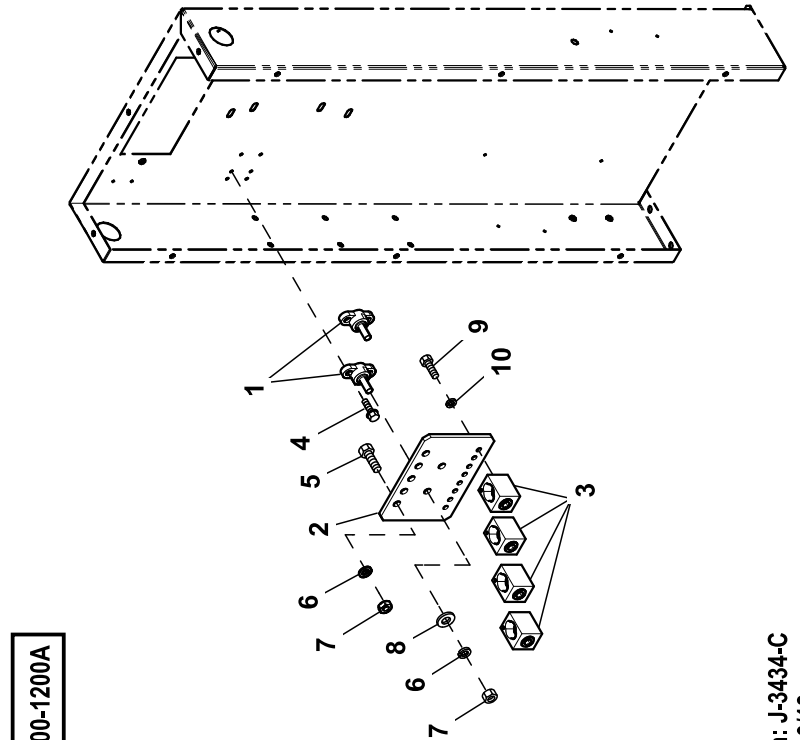
250A



1400-2500A



700-1200A



EXPLODED VIEW: EV, NEUTRAL BLOCK 0-250A

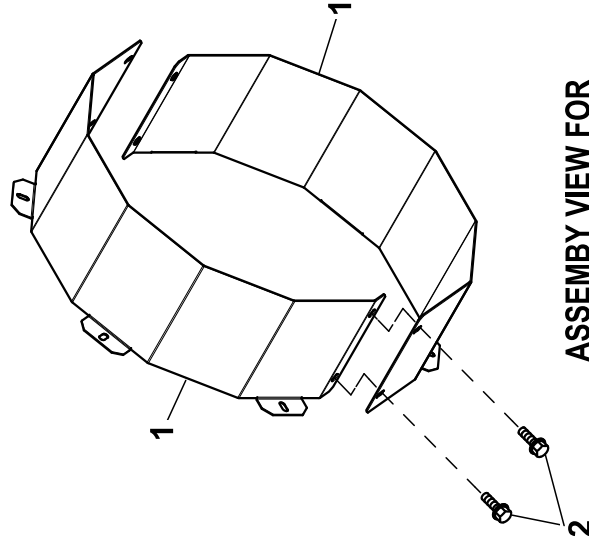
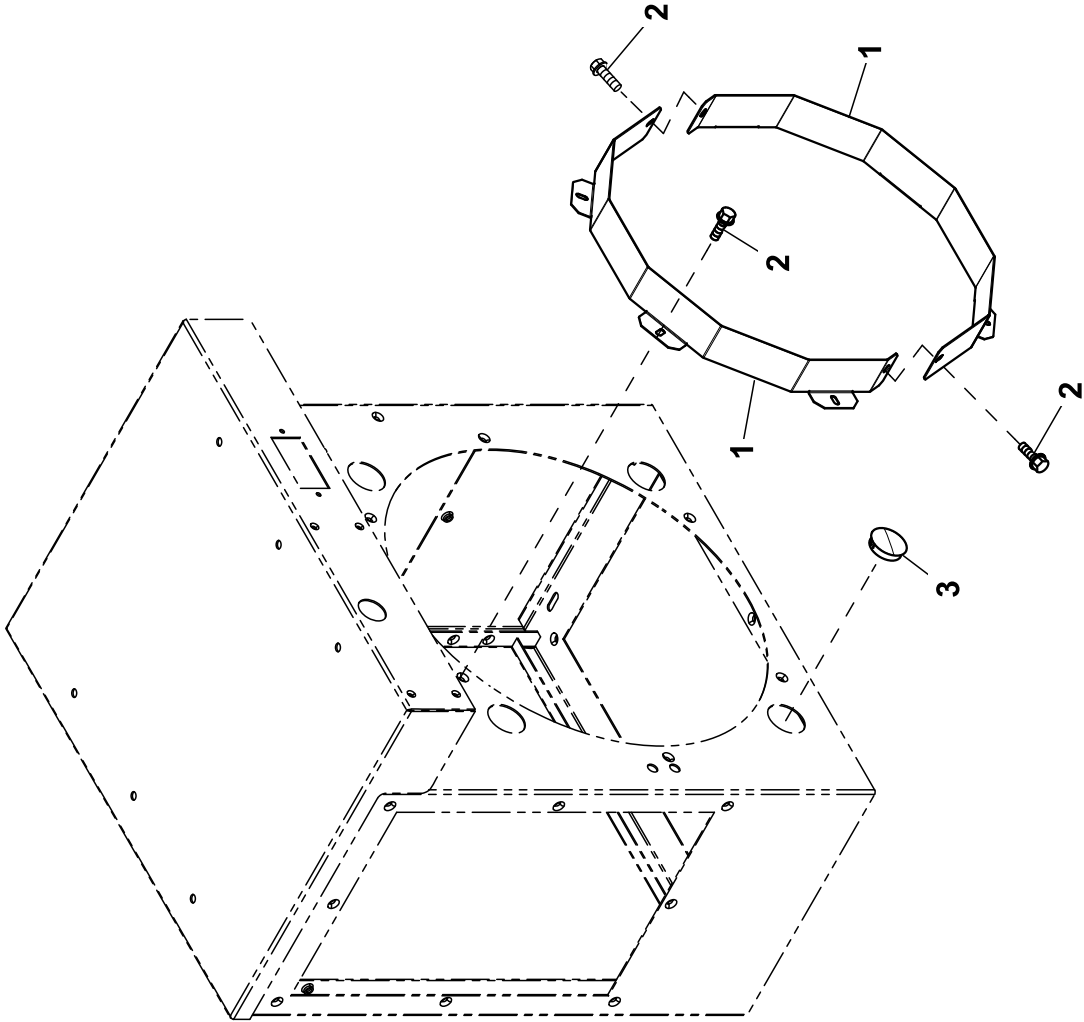
DRAWING #: 0J1047

GROUP H

APPLICABLE TO:

| ITEM | PART# | QTY. | DESCRIPTION |
|-------------------------------|---------|------|--------------------------------|
| NEUTRAL BLOCK (250A) | | | |
| 1 | 057073 | 2 | JUNCTION BLOCK 3/8-16 |
| 2 | 0H9690 | 1 | NEUTRAL, BRACKET (60-100A) |
| 3 | 0F8451 | 1 | LUG SLDLSS 300 MCM-6 AL/CU |
| 4 | 0C2266 | 4 | SCREW PHTT M5-0.8 X 16 ZP |
| 5 | 022131 | 2 | WASHER FLAT 3/8-M10 ZINC |
| 6 | 022237 | 2 | WASHER LOCK 3/8 |
| 7 | 022241 | 2 | NUT HEX 3/8-16 STEEL |
| 8 | 067989 | 1 | NUT HEX FL WHIZ M8-1.25 |
| 9 | 043107 | 1 | SCREW HHC M8-1.25 X 25 C8.8 |
| NEUTRAL BLOCK (300A - 600A) | | | |
| 1 | 057073 | 2 | JUNCTION BLOCK 3/8-16 |
| 2 | 0H9689A | 1 | BUS BAR, NTRL BLK 520 0-600A |
| 3 | 0A7822 | 2 | LUG SLDLSS 600/250-1/0X1/4-28 |
| 4 | 0C2266 | 4 | SCREW PHTT M5-0.8 X 16 ZP |
| 5 | 022511 | 2 | SCREW HHC 3/8-16 X 1-1/4 G5 |
| 6 | 022237 | 4 | WASHER LOCK 3/8 |
| 7 | 022241 | 4 | NUT HEX 3/8-16 STEEL |
| 8 | 022131 | 2 | WASHER FLAT 3/8-M10 ZINC |
| 9 | 045335 | 4 | SCREW HHC 1/4-28 X 3/4 G5 |
| 10 | 022097 | 4 | WASHER LOCK M6-1/4 |
| NEUTRAL BLOCK (700A - 1200A) | | | |
| 1 | 057073 | 2 | JUNCTION BLOCK 3/8-16 |
| 2 | 0H9689 | 1 | BUS BAR, NTRL BLK 520 600-1600 |
| 3 | 0A7822 | 4 | LUG SLDLSS 600/250-1/0X1/4-28 |
| 4 | 0C2266 | 4 | SCREW PHTT M5-0.8 X 16 ZP |
| 5 | 022511 | 5 | SCREW HHC 3/8-16 X 1-1/4 G5 |
| 6 | 022237 | 7 | WASHER LOCK 3/8 |
| 7 | 022241 | 7 | NUT HEX 3/8-16 STEEL |
| 8 | 022131 | 2 | WASHER FLAT 3/8-M10 ZINC |
| 9 | 045335 | 8 | SCREW HHC 1/4-28 X 3/4 G5 |
| 10 | 022097 | 8 | WASHER LOCK M6-1/4 |
| NEUTRAL BLOCK (1400A - 2500A) | | | |
| 1 | 0C6937M | 2 | INSULATOR, STANDOFF 600V3/8-16 |
| 2 | 0J4583 | 2 | BUS BAR, 1/4"X6"X10" |
| 3 | 031578 | 3 | SCREW HHC 3/8-16 X 1-1/2 G8 |
| 4 | 022131 | 10 | WASHER FLAT 3/8-M10 ZINC |
| 5 | 022237 | 7 | WASHER LOCK 3/8 |
| 6 | 022241 | 3 | NUT HEX 3/8-16 STEEL |
| 7 | 023152 | 2 | SCREW HHC 3/8-16 X 3/4 G5 |
| 8 | 029745 | 2 | SCREW HHC 3/8-16 X 1 G5 |

GROUP H



ASSEMBLY VIEW FOR
SHROUD 0J75910ST0R ONLY

EXPLODED VIEW: EV 390 ALT SHROUD KIT CCI**DRAWING #: 0J7592****GROUP H**

| ITEM | PART# | QTY. | DESCRIPTION |
|-------------|--------------|-------------|--------------------------------|
| (1)1 | 0J7590AST0R | 2 | SHROUD 390 ALT X 76MM |
| | 0J75900ST0R | 2 | SHROUD 390 ALT X 50MM |
| | 0J75910ST0R | 2 | SHROUD 390 ALT X 150MM |
| (2)2 | 0C2454 | 8/10 | SCREW HWHT M6-1 X 16 N WA Z/JS |
| 3 | 0E1534A | 4 | PLUG PLASTIC 1.50" |

(1)NOTE:

0J7590AST0R INCLUDED IN KIT #0J7593A

0J75900ST0R INCLUDED IN KIT #0J7593

0J75910ST0R INCLUDED IN KIT #0J7593B

(2) QTY DETERMINED BY SHROUD MOUNTING REQUIREMENTS.

GENERAC® POWER SYSTEMS, INC.
211 MURPHY DR. • P.O. BOX 310
EAGLE, WI 53119

Free Manuals Download Website

<http://myh66.com>

<http://usermanuals.us>

<http://www.somanuals.com>

<http://www.4manuals.cc>

<http://www.manual-lib.com>

<http://www.404manual.com>

<http://www.luxmanual.com>

<http://aubethermostatmanual.com>

Golf course search by state

<http://golfingnear.com>

Email search by domain

<http://emailbydomain.com>

Auto manuals search

<http://auto.somanuals.com>

TV manuals search

<http://tv.somanuals.com>