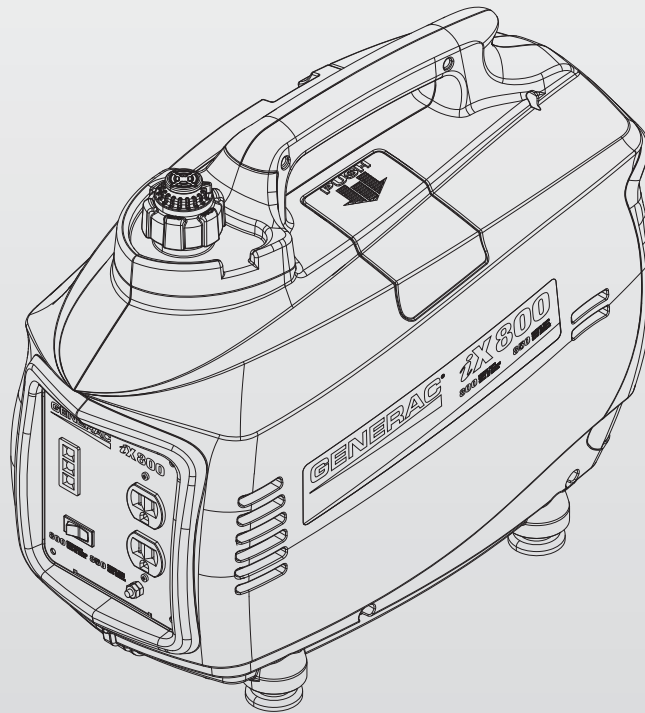


MODEL: 005791-3

iX 800

Digital Inverter Generator Operator's Manual



⚠ DANGER!

- ⚠ DEADLY EXHAUST FUMES! ONLY use OUTSIDE far away from windows, doors and vents!**
- ⚠ NOT INTENDED FOR USE IN CRITICAL LIFE SUPPORT APPLICATIONS.**
- ⚠ SAVE this Manual. Provide this manual to any operator of the generator.**



www.generac.com or 1-888-GENERAC

Table of Contents

Accessory Box	Inside Front Cover	Troubleshooting	12
Introduction	1	4.1 Troubleshooting Guide.....	12
Read this Manual Thoroughly	1	Notes	13
Safety Rules	1		
Standards Index.....	3		
General Information	4	iX 800 Manual del operador del	
1.1 Specifications	4	Generador Inversor Digital	15
1.2 Unit Identification	4	iX 800 Manuel d'utilisation du	
Operation	5	générateur inverseur numérique	31
2.1 Pre-Use Check and Set-up	5		
2.2 Starting the Generator	6		
2.3 Adding Loads.....	6		
2.4 Using the FlexPower™ Switch	7		
2.5 Shutting Down	7		
2.6 Low Oil Level Shutdown.....	7		
2.7 Fueling the Generator	7		
2.8 Adding Engine Oil.....	8		
Maintenance	9		
3.1 Generator Maintenance.....	9		
3.2 Generator Maintenance Schedule	9		
3.3 Cleaning the Generator	9		
3.4 Engine Maintenance	9		
3.5 Changing the Engine Oil	10		
3.6 Changing the Spark Plug	10		
3.7 Clean Spark Arrestor Screen.....	10		
3.8 Transportation and Storage	11		

ACCESSORY BOX

Check all contents. If any parts are missing or damaged locate an authorized dealer at 1-888-436-3722.

Contents include:

- 1 bottle SAE 30 Oil
- Spark Plug Wrench
- Oil Funnel
- Screwdriver

WARNING!

California Proposition 65

Engine exhaust and some of its constituents are known to the state of California to cause cancer, birth defects, and other reproductive harm.

WARNING!

California Proposition 65

This product contains or emits chemicals known to the state of California to cause cancer, birth defects, and other reproductive harm.

INTRODUCTION

Thank you for purchasing this model by Generac Power Systems, Inc. This model is a compact, high performance, air-cooled, engine driven generator designed to supply electrical power to operate electrical loads where no utility power is available or in place of utility due to a power outage.

READ THIS MANUAL THOROUGHLY

If any portion of this manual is not understood, contact the nearest Authorized Dealer for starting, operating and servicing procedures.

The operator is responsible for proper and safe use of the equipment. We strongly recommend that the operator read this manual and thoroughly understand all instructions before using the equipment. We also strongly recommend instructing other users to properly start and operate the unit. This prepares them if they need to operate the equipment in an emergency.

The generator can operate safely, efficiently and reliably only if it is properly located, operated and maintained. Before operating or servicing the generator:

- Become familiar with and strictly adhere to all local, state and national codes and regulations.
- Study all safety warnings in this manual and on the product carefully.
- Become familiar with this manual and the unit before use.

The manufacturer cannot anticipate every possible circumstance that might involve a hazard. The warnings in this manual, and on tags and decals affixed to the unit are, therefore, not all inclusive. If using a procedure, work method or operating technique that the manufacturer does not specifically recommend, ensure that it is safe for others. Also make sure the procedure, work method or operating technique utilized does not render the generator unsafe.

THE INFORMATION CONTAINED HEREIN WAS BASED ON MACHINES IN PRODUCTION AT THE TIME OF PUBLICATION. GENERAC RESERVES THE RIGHT TO MODIFY THIS MANUAL AT ANY TIME.

SAFETY RULES

Throughout this publication, and on tags and decals affixed to the generator, DANGER, WARNING, CAUTION and NOTE blocks are used to alert personnel to special instructions about a particular operation that may be hazardous if performed incorrectly or carelessly. Observe them carefully. Their definitions are as follows:

DANGER!

Indicates a hazardous situation or action which, if not avoided, will result in death or serious injury.

WARNING!

Indicates a hazardous situation or action which, if not avoided, could result in death or serious injury.

CAUTION!


Indicates a hazardous situation or action which, if not avoided, could result in minor or moderate injury.

NOTE:

Notes contain additional information important to a procedure and will be found within the regular text body of this manual.

These safety warnings cannot eliminate the hazards that they indicate. Common sense and strict compliance with the special instructions while performing the action or service are essential to preventing accidents.

Four commonly used safety symbols accompany the **DANGER**, **WARNING** and **CAUTION** blocks. The type of information each indicates is as follows:

 **This symbol points out important safety information that, if not followed, could endanger personal safety and/or property of others.**

 **This symbol points out potential explosion hazard.**

 **This symbol points out potential fire hazard.**

 **This symbol points out potential electrical shock hazard.**

GENERAL HAZARDS

- NEVER operate in an enclosed area, in a vehicle, or indoors EVEN IF doors and windows are open.
- For safety reasons, the manufacturer recommends that the maintenance of this equipment is carried out by an Authorized Dealer. Inspect the generator regularly, and contact the nearest Authorized Dealer for parts needing repair or replacement.
- Operate generator only on level surfaces and where it will not be exposed to excessive moisture, dirt, dust or corrosive vapors.
- Keep hands, feet, clothing, etc., away from drive belts, fans, and other moving parts. Never remove any fan guard or shield while the unit is operating.
- Certain parts of the generator get extremely hot during operation. Keep clear of the generator until it has cooled to avoid severe burns.
- Do NOT operate generator in the rain.
- Do not alter the construction of the generator or change controls which might create an unsafe operating condition.
- Never start or stop the unit with electrical loads connected to receptacles AND with connected devices turned ON. Start the engine and let it stabilize before connecting electrical loads. Disconnect all electrical loads before shutting down the generator.
- When working on this equipment, remain alert at all times. Never work on the equipment when physically or mentally fatigued.

Safety Rules

! Save These Instructions – The manufacturer suggests that these rules for safe operation be copied and posted near the unit's installation site. Safety should be stressed to all operators and potential operators of this equipment. If you loan this unit to anyone, ALWAYS loan this Owner's Manual and stress the importance of reading the same before operating the unit.

- Never use the generator or any of its parts as a step. Stepping on the unit can stress and break parts, and may result in dangerous operating conditions from leaking exhaust gases, fuel leakage, oil leakage, etc.

EXHAUST & LOCATION HAZARDS

- **NEVER operate in an enclosed area or indoors! NEVER use in the home, in a vehicle, or in partly enclosed areas such as garages, EVEN IF doors and windows are open! ONLY use outdoors and far from open windows, doors, vents, and in an area that will not accumulate deadly exhaust.**

! DANGER	
Utiliser un générateur à l'intérieur PEUT VOUS TUER EN QUELQUES MINUTES. Les gaz d'échappement du générateur contiennent du monoxyde de carbone. C'est un gaz toxique invisible et inodore.	
 NE JAMAIS utiliser à l'intérieur d'une maison ou d'un garage, MÊME SI les portes et les fenêtres sont ouvertes.	 Utiliser UNIQUEMENT à l'EXTÉRIEUR et loin des fenêtres, portes et ventilations.

- The engine exhaust fumes contain carbon monoxide, which you cannot see or smell. This poisonous gas, if breathed in sufficient concentrations, can cause unconsciousness or even death.
- Adequate, unobstructed flow of cooling and ventilating air is critical to correct generator operation. Do not alter the installation or permit even partial blockage of ventilation provisions, as this can seriously affect safe operation of the generator. The generator **MUST** be operated outdoors.
- This exhaust system must be properly maintained. Do nothing that might render the exhaust system unsafe or in noncompliance with any local codes and/or standards.
- The manufacturer recommends installing a battery operated carbon monoxide alarm indoors, according to the manufacturers instructions.
- If you start to feel sick, dizzy, or weak after the generator has been running, move to fresh air **IMMEDIATELY**. See a doctor, as you could have carbon monoxide poisoning.

ELECTRICAL HAZARDS

- The generator produces dangerously high voltage when in operation. Avoid contact with bare wires, terminals, connections, etc., while the unit is running, even on equipment connected to the generator. Ensure all appropriate covers, guards and barriers are in place before operating the generator.
- Never handle any kind of electrical cord or device while standing in water, while barefoot or while hands or feet are wet. **DANGEROUS ELECTRICAL SHOCK MAY RESULT.**
- The National Electric Code (NEC) requires the frame and external electrically conductive parts of the generator be properly connected to an approved earth ground. Local electrical codes may also require proper grounding of the generator. Consult with a local electrician for grounding requirements in the area.
- Use a ground fault circuit interrupter in any damp or highly conductive area (such as metal decking or steel work).
- Do not use worn, bare, frayed or otherwise damaged electrical cord sets with the generator.
- In case of accident caused by electric shock, immediately shut down the source of electrical power. If this is not possible, attempt to free the victim from the live conductor. **AVOID DIRECT CONTACT WITH THE VICTIM.** Use a non-conducting implement, such as a rope or board, to free the victim from the live conductor. If the victim is unconscious, apply first aid and get immediate medical help.

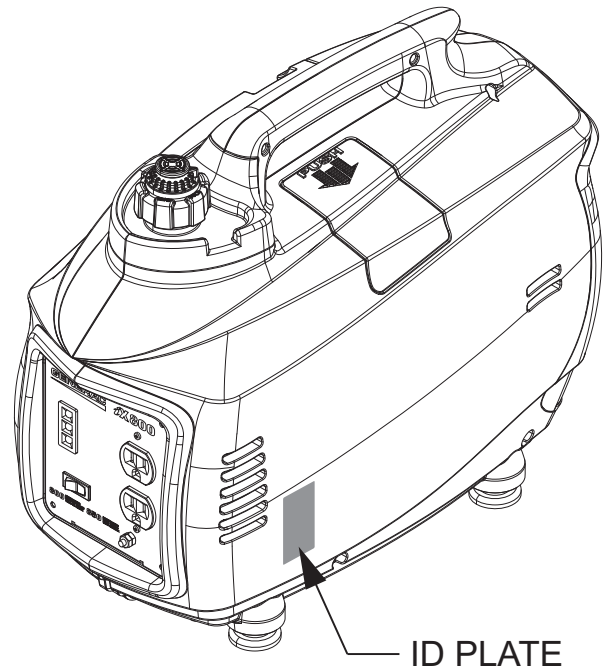
FIRE HAZARDS

- **Gasoline is highly FLAMMABLE and its vapors are EXPLOSIVE. Do not permit smoking, open flames, sparks or heat in the vicinity while handling gasoline.**
- **Never add fuel while unit is running or hot.** Allow engine to cool completely before adding fuel.
- **Never fill fuel tank indoors.** Comply with all laws regulating storage and handling of gasoline.
- **Do not overfill the fuel tank. Always allow room for fuel expansion.** If tank is over-filled, fuel can overflow onto a hot engine and cause FIRE or an EXPLOSION. Never store generator with fuel in tank where gasoline vapors might reach an open flame, spark or pilot light (as on a furnace, water heater or clothes dryer). FIRE or EXPLOSION may result. Allow unit to cool entirely before storage.
- Wipe up any fuel or oil spills immediately. Ensure that no combustible materials are left on or near the generator. Keep the area surrounding the generator clean and free from debris and keep a clearance of five (5) feet on all side to allow for proper ventilation of the generator.

- Do not insert objects through unit's cooling slots.
- **Do not** operate the generator if connected electrical devices overheat, if electrical output is lost, if engine or generator sparks or if flames or smoke are observed while unit is running.
- Keep a fire extinguisher near the generator at all times.

MODEL NO:	
SERIAL NO:	

Figure 1 - Generator ID Plate



STANDARDS INDEX

1. National Fire Protection Association (NFPA) 70: The NATIONAL ELECTRIC CODE (NEC) available from www.nfpa.org
2. National Fire Protection Association (NFPA) 5000: BUILDING CONSTRUCTION AND SAFETY CODE available from www.nfpa.org
3. International Building Code available from www.iccsafe.org
4. Agricultural Wiring Handbook available from www.nerc.org , Rural Electricity Resource Council P.O. Box 309 Wilmington, OH 45177-0309
5. ASAE EP-364.2 Installation and Maintenance of Farm Standby Electric Power available from www.asabe.org, American Society of Agricultural & Biological Engineers 2950 Niles Road, St. Joseph, MI 49085

This list is not all inclusive. Check with the Authority Having Local Jurisdiction (AHJ) for any local codes or standards which may be applicable to your jurisdiction.

General Information

1.1 SPECIFICATIONS

Engine Type	Single Cylinder, 4-Stroke
Engine Size	38 cc
Starter Type	Recoil
Fuel Capacity/Type	.0.42 Gal (1.5L)/Unleaded
Oil Capacity	0.18 Qt (0.17L)
Runtime Full/Half Load	2.0/3.5 Hours
Spark Plug Type	NGK CR7HSA
Spark Plug Gap	.030"
Spark Plug Part Number	.0H8097
Dimensions L x W x H (in)	18 x 10 x 15
Weight Lb/kg	.29/13.2
Maximum AC Output	800W
Surge AC Output	850W
AC Volts	120 VAC
Rated AC Current	6.6 A
Frequency	60 Hz
THD	3.0%
Insulation Class	Class B
Outlets	(2) 5-15R

NOTE:

Power output and runtime are influenced by many factors, some of which are fuel quality, ambient temperature and engine condition. Output decreases approximately 3.5% for each 1,000 feet above sea level and 1% for every 10 degrees above 60°F.

1.1.1 EMISSIONS INFORMATION

The Environmental Protection Agency (EPA) requires that your generator comply with exhaust emission standards. This generator is certified to meet the applicable EPA emission levels. Additional information regarding the requirements set by EPA is as follows:

The maintenance specifications provided in this manual must be followed to ensure that your engine complies with the applicable emission standards for the duration of the engine's life. This engine is certified to operate on gasoline. The emission control system on your generator consists of the following:

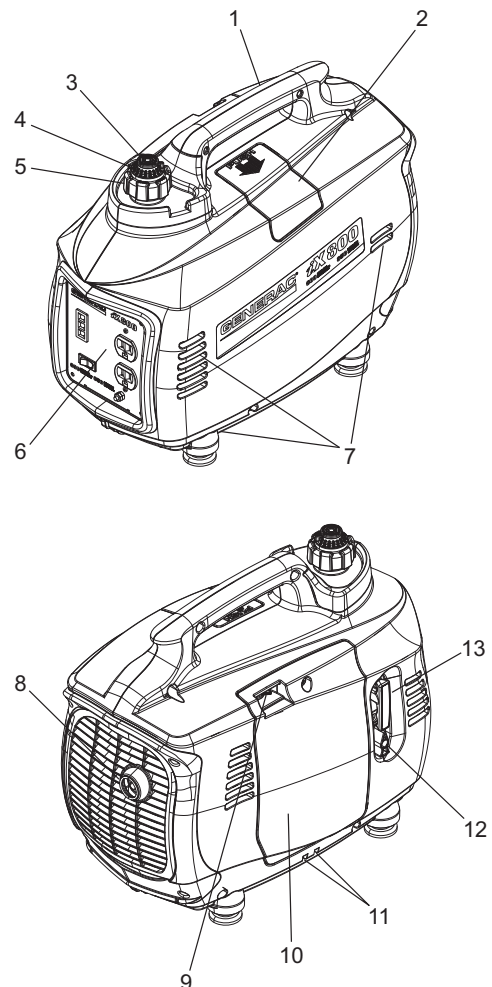
- Fuel Metering System
 - ~ Carburetor
 - ~ Fuel Pump
 - ~ Fuel Lines
 - ~ Fuel Tank/Cap
 - ~ Evaporative Vent Lines
- Ignition System
 - ~ Spark plug
 - ~ Ignition module
- Air Induction System
 - ~ Intake pipe/manifold
 - ~ Air cleaner

The Emissions Compliance Period referred to on the Emissions Compliance Label indicates the number of operating hours for which the engine has been shown to meet Federal emission requirements.

1.2 UNIT IDENTIFICATION (Figure 2)

1. Carrying Handle: Lift the generator by this handle only.
2. Spark Plug Cover: Allows access to the engine spark plug.
3. Fuel System Primer: Used to prime the fuel system for starting.
4. Fuel Cap Pressure Valve: Allows air to enter the fuel tank to equalize pressure.
5. Fuel Tank Cap: Access to fuel tank for filling.
6. Control Panel: location of generator controls and output receptacles.
7. Air Intake Slats: Allows for cooling air to enter the housing.
8. Muffler: Lowers engine exhaust noise (includes the spark arrestor).
9. Choke: Cold engine starting aid
10. Left Side Service Cover: Allows access to air filter and oil fill.
11. Vent Hoses: Hoses allow venting of the crankcase and carburetor.
12. Fuel Shutoff: Controls fuel supply to the carburetor.
13. Starter Rope: Pull rope for starting engine.

Figure 2 - Unit Identification



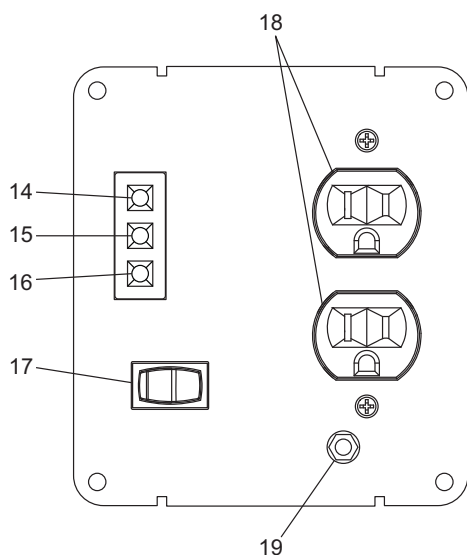
1.2.1 CONTROL PANEL (Figure 3)

14. READY LED (green): Indicates output from the generator unless there is a low oil or overload condition.
15. OVERLOAD LED (red): Lights up if the generator experiences a load greater than the rated output, low voltage, overheats or the powered circuit experiences a short. The output is stopped even though the engine keeps running.
16. LOW OIL LEVEL LED (yellow): Lights up when oil level is below safe operating level and the engine shuts down..
17. FlexPower™ Switch: This switch slows the engine speed when the load is reduced to save fuel and engine wear.
18. 120 VAC Receptacles: Two (2) receptacles for connecting accessories.
19. Ground (Earth) Connection Lug: Grounding point for the generator; consult state and local electrical codes before use (floating ground).

NOTE:

Do not exceed the rated output of the generator.

Figure 3 - Control Panel



- !** The engine exhaust fumes contain carbon monoxide, which you cannot see or smell. This poisonous gas, if breathed in sufficient concentrations, can cause unconsciousness or even death.
- !** Adequate, unobstructed flow of cooling and ventilating air is critical to correct generator operation. Do not alter the installation or permit even partial blockage of ventilation provisions, as this can seriously affect safe operation of the generator. The generator **MUST** be operated outdoors.
- !** This exhaust system must be properly maintained. Do nothing that might render the exhaust system unsafe or in noncompliance with any local codes and/or standards.
- !** The manufacturer recommends installing a battery operated carbon monoxide alarm indoors, according to the manufacturers instructions.
- !** NEVER use in the home, in a vehicle, or in partly enclosed areas such as garages, campers or trailers. ONLY use outdoors and far from open windows, doors, vents.

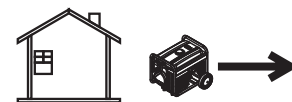
! DANGER

Utiliser un générateur à l'intérieur PEUT VOUS TUER EN QUELQUES MINUTES.

Les gaz d'échappement du générateur contiennent du monoxyde de carbone. C'est un gaz toxique invisible et inodore.



NE JAMAIS utiliser à l'intérieur d'une maison ou d'un garage, **MÊME SI** les portes et les fenêtres sont ouvertes.



Utiliser **UNIQUEMENT** à l'**EXTÉRIEUR** et loin des fenêtres, portes et ventilations.

2.1 PRE-USE CHECK AND SET-UP

Prior to starting the generator and adding loads, perform the following tasks:

1. Make sure the generator is on a firm, level (not to exceed 15° in any direction), non-combustible surface with at least five (5) feet of clearance on all sides.

! DANGER!

- !** Never operate in an enclosed area or indoors! NEVER use in the home, in a vehicle, or in partly enclosed areas such as garages, even if doors and windows are open! ONLY use outdoors and far from open windows, doors, vents, and in an area that will not accumulate deadly exhaust.

2. Remove the fuel cap and check the fuel level. If fuel is needed, see the section "FUELING THE GENERATOR".
3. Remove the left side service cover and check the oil level by removing the oil filler cap. The oil level should be to the bottom of the threads on the oil fill pipe. If oil is needed, see the section "ADDING ENGINE OIL".
4. Replace and secure the left side service cover.
5. Make sure there are no loads connected to the generator.
6. The National Electric Code (NEC) requires the frame and external electrically conductive parts of the generator be properly connected to an approved earth ground. Proper grounding of the generator will prevent electrical shock in the event of a ground fault condition in the generator or in connected electrical devices. Proper grounding also helps dissipate static electricity, which often builds up in unguarded devices.
7. Local electrical codes may also require proper grounding of the generator.

Operation

⚠ CAUTION!

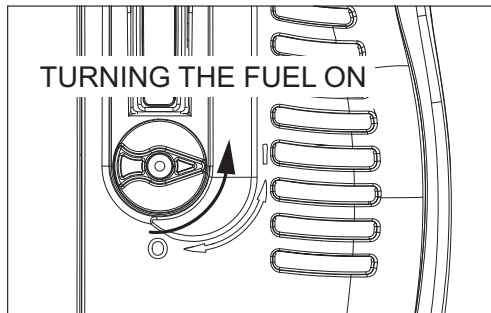
! Starting the generator with accessories connected to the 120 VAC outlets will damage the generator and the connected accessories.

2.2 STARTING THE GENERATOR

Once the fuel and oil levels have been checked and it has been verified there are no loads connected, the generator may be started. Turn the FlexPower Switch OFF (O).

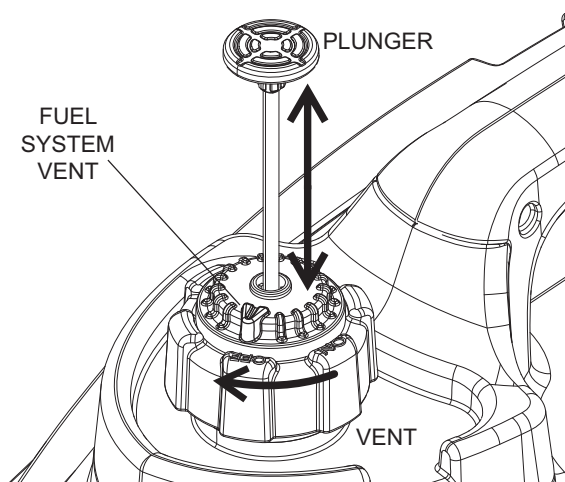
1. Open the fuel valve (Figure 4), located below the starter rope pull, by turning the valve 90° counter-clockwise to the "ON" (I) position.

Figure 4 - Fuel Valve



2. Pull up on the center of the fuel fill cap and prime the fuel system by depressing the plunger up to five (5) times with the vent closed (Figure 5).

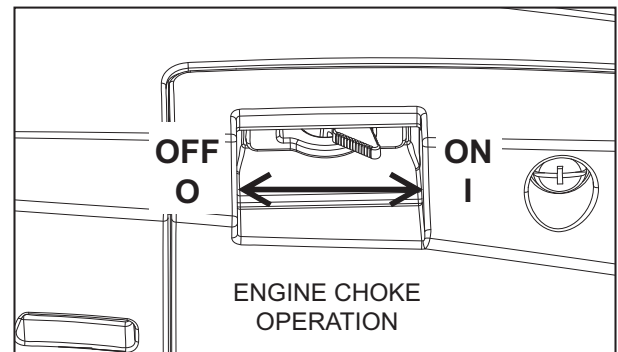
Figure 5 - Prime Fuel System



3. Open the fuel tank vent on the top of the fuel fill cap by turning the center portion to the "ON" mark (Figure 5).
4. If the engine is cold or has not been run for some time, engage the choke by pushing the choke lever to the right.
5. Grip the handle for the pull starter and brace your other hand against the generator. Pull the rope slowly until resistance is felt, then pull the rope rapidly.

6. If the engine does not start, repeat steps 2-5 until the engine fires and begins to run.
7. Carefully adjust the choke to approximately the 1/2 position until the engine begins to run smoothly, then push the lever all the way to the left (Figure 6).
8. Make sure the bottom of the generator is not blocked by sand, leaves, grass, etc. as the cooling vents are located on the bottom of the unit.

Figure 6 - Adjust Choke



2.3 ADDING LOADS

Once the generator has been running smoothly for 2-3 minutes, electrical loads can be added.

⚠ WARNING!

⚡ Do not use worn, bare, frayed or otherwise damaged electrical cord sets with the generator. Do not handle any kind of electrical device while standing in water, while barefoot, or while hands or feet are wet.

1. There are two grounded 120 VAC duplex outlets on the front of the generator.
2. DO NOT overload the generator; if the red "overload" LED lights up and the accessories attached to the generator stop operating, stop the engine and reduce the load to the generator. Restart and apply reduced loads.
3. Consult the following table to estimate what can be powered by the generator.

Device	Running Watts
*Air Conditioner (12,000 Btu)	1700
*Air Conditioner (24,000 Btu)	3800
*Air Conditioner (40,000 Btu)	6000
Battery Charger (20 Amp)	500
Belt Sander (3")	1000
Chain Saw	1200
Circular Saw (6-1/2")	800 to 1000
*Clothes Dryer (Electric)	5750
*Clothes Dryer (Gas)	700
*Clothes Washer	1150
Coffee Maker	1750
*Compressor (1 HP)	2000
*Compressor (3/4 HP)	1800
*Compressor (1/2 HP)	1400

Curling Iron	700
*Dehumidifier	650
Disc Sander (9")	1200
Edge Trimmer	500
Electric Blanket	400
Electric Nail Gun	1200
Electric Range (per element)	1500
Electric Skillet	1250
*Freezer	700
*Furnace Fan (3/5 HP)	875
*Garage Door Opener	500 to 750
Hair Dryer	1200
Hand Drill	250 to 1100
Hedge Trimmer	450
Impact Wrench	500
Iron	1200
*Jet Pump	800
Lawn Mower	1200
Light Bulb	100
Microwave Oven	700 to 1000
*Milk Cooler	1100
Oil Burner on Furnace	300
Oil Fired Space Heater (140,000 Btu)	400
Oil Fired Space Heater (85,000 Btu)	225
Oil Fired Space Heater (30,000 Btu)	150
*Paint Sprayer, Airless (1/3 HP)	600
Paint Sprayer, Airless (handheld)	150
Radio	50 to 200
*Refrigerator	700
Slow Cooker	200
*Submersible Pump (1-1/2 HP)	2800
*Submersible Pump (1 HP)	2000
*Submersible Pump (1/2 HP)	1500
*Sump Pump	800 to 1050
* Allow three (3) times the listed running watts for starting these devices.	

NOTE:

When an electric motor is started, the "OVERLOAD" LED may light up for up to five (5) seconds (this is normal). If it stays on, a fault has occurred. Remove all loads and shut down generator to reset the alarm. Restart the generator. If the "OVERLOAD" LED remains lit, contact a Generac Dealer for assistance.

2.4 USING THE FLEXPPOWER™ SWITCH

When the accessories connected to the generator are going to be used intermittently (such as a hand drill), the FlexPower™ switch can be pushed to the "ON" (I) position. This will lower the generator engine speed when loads are not being applied, saving fuel, reducing engine wear and extending runtime.

2.5 SHUTTING DOWN

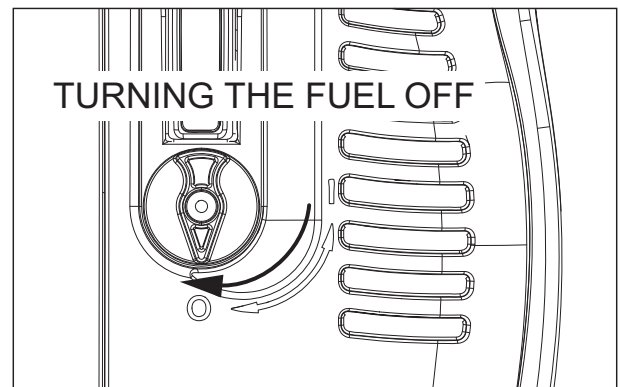
Once the generator is no longer needed it can be shut down.

1. Switch off any accessories connected to the generator. Unplug any cords to the 120 VAC duplex outlets.
2. Turn the fuel valve to the "OFF" (O) position (Figure 7). A switch behind the fuel valve grounds the ignition system, stopping the engine and the fuel supply is shut off.
3. Close the vent on the fuel cap.
4. Allow the generator to cool before moving or storing.

⚠ CAUTION!

⚠ Always allow the generator to cool off before storing. High temperatures will be present at the rear of the unit for some time after shutdown.

Figure 7 - Turn Off Fuel



2.6 LOW OIL LEVEL SHUTDOWN

This generator is equipped with a low oil level shut down. If the oil level in the engine crankcase drops below a pre-determined level, the engine will stop automatically and the "LOW OIL" LED will light up.

Remove the Left Side Service Cover and check the oil level of the engine. Add oil as necessary; refer to see the section "ADDING ENGINE OIL".

2.7 FUELING THE GENERATOR

Use care when fueling the generator. Only fill the fuel tank when the generator is cool and use fresh unleaded gasoline with a minimum Research Octane Number (RON) of 87.

NOTE:

Do not use any gasoline containing more than 10% Ethanol. NEVER fill the fuel tank with E85 or a mixture of oil and gasoline designated for two-cycle engines.

⚠ DANGER!

⚠ Gasoline is highly FLAMMABLE and its vapors are EXPLOSIVE. Do not permit smoking, open flames, sparks or heat in the vicinity while handling gasoline.

⚠ Never add fuel while unit is running or hot. Allow unit to cool entirely before adding fuel.

⚠ Do not overfill the fuel tank. Always allow room for fuel expansion. If tank is over-filled, fuel can overflow onto a hot engine and cause FIRE or an EXPLOSION. Wipe up fuel spills immediately!

3.1 GENERATOR MAINTENANCE

Proper care will ensure maximum performance of your generator. Generator maintenance consists of keeping the unit clean and dry. Operate and store the unit in a clean dry environment where it will not be exposed to excessive dust, dirt, moisture or any corrosive vapors.

Cooling air slots in the generator must not become clogged with snow, leaves, or any other foreign material.

Check the cleanliness of the generator frequently and clean when dust, dirt, oil, moisture or other foreign substances are visible on its exterior surface.

NOTE:

Never insert any object or tool through the air cooling slots, even if the engine is not running.

NOTE:

DO NOT use a garden hose to clean generator. Water can enter the engine fuel system and cause problems. In addition, if water enters the generator through cooling air slots, some water will be retained in voids and crevices of the rotor and stator winding insulation. Water and dirt buildup on the generator internal windings will eventually decrease the insulation resistance of these windings.

3.2 GENERATOR MAINTENANCE SCHEDULE

Follow the recommended service schedule; to order replacement parts call 1-888-436-3722.

	Each Use	Every 100 Hours	Every 6 Months	Each Year
Fuel Level	X			
Oil Level	X			
Check Air Filter	X			
Change Engine Oil*		X		
Clean Air Filter**		X		
Check Spark Plug			X	
Check Muffler			X	
Replace Spark Plug				X
Clean Spark Arrestor***				X

* Perform initial oil change after the first five (5) hours of operation

** Clean the air filter more often if operating in dusty or sandy conditions. Replace as necessary.

*** Inspect and clean every 50 hours of operation.

3.3 CLEANING THE GENERATOR

1. Use a damp cloth to wipe exterior surfaces clean.
2. A soft, bristle brush may be used to loosen caked on dirt, oil, etc.
3. A vacuum cleaner may be used to pick up loose dirt and debris.
4. Low pressure air (not to exceed 25 psi) may be used to blow away dirt. Inspect cooling air slots and openings on the generator. These openings must be kept clean and unobstructed.
5. Inspect the vent hoses on the left side of the generator. Make sure the hoses protrude through the slots below the door and that the ends are open and free of debris.

3.4 ENGINE MAINTENANCE

NOTE:

Only work on a generator that has cooled completely.

▲ CAUTION!

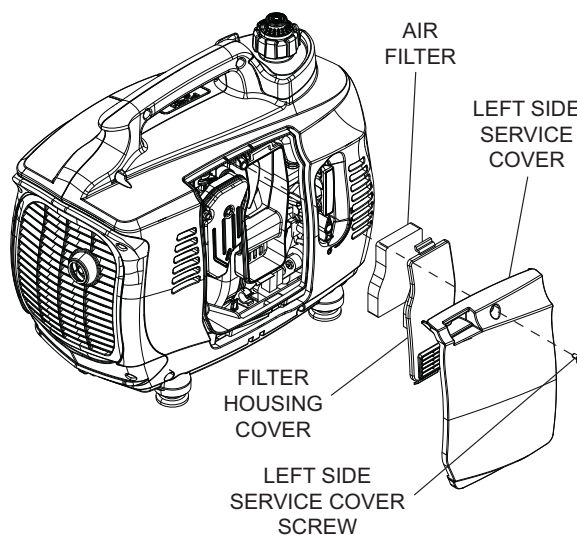
▲ Hot oil may cause burns. Allow engine to cool entirely before draining oil. Avoid prolonged or repeated skin exposure with used oil. Thoroughly wash exposed areas with soap.

Inspect the oil level and air filter condition each time you are going to use the generator. To check the air filter and oil level the left side service cover must be removed; use a screwdriver to loosen the screw securing the cover and remove.

The air filter is located behind a cover for the air box (Figure 10). Push the tab on the bottom of the air box upwards to release the cover. To service the air cleaner:

1. Remove the air cleaner. Tap the element to shake loose any large particles.
2. Wash the element in soapy water. Squeeze the filter dry in clean cloth (DO NOT TWIST).

Figure 10 - Air Filter



Maintenance

3. Soak the filter element in clean engine oil. Squeeze the excess oil from the filter, leaving a light coating.
4. Clean air cleaner housing and cover before re-installing the filter element.
5. To order a new air filter, you will need part number 0H56810216.

3.5 CHANGING THE ENGINE OIL

▲ CAUTION!

- ! Hot oil may cause burns. Allow engine to cool entirely before draining oil. Avoid prolonged or repeated skin exposure with used oil. Thoroughly wash exposed areas with soap.**

Change the engine oil after the first five (5) hours of operation. Change the engine oil every 100 hours thereafter. To change the engine oil:

▲ CAUTION!

- ! Change the oil only when the fuel tank is low or nearly empty. Tipping the generator with a full fuel tank may cause fuel leakage.**

1. Place the generator over a drain pan and remove the drain plug. Tip the generator on its side to drain the used oil from the crankcase.

NOTE:

To make draining the oil easier, a 6" length of vinyl (PVC) hose with an inside diameter of 1.25" (32mm) may be placed over the drain lip.

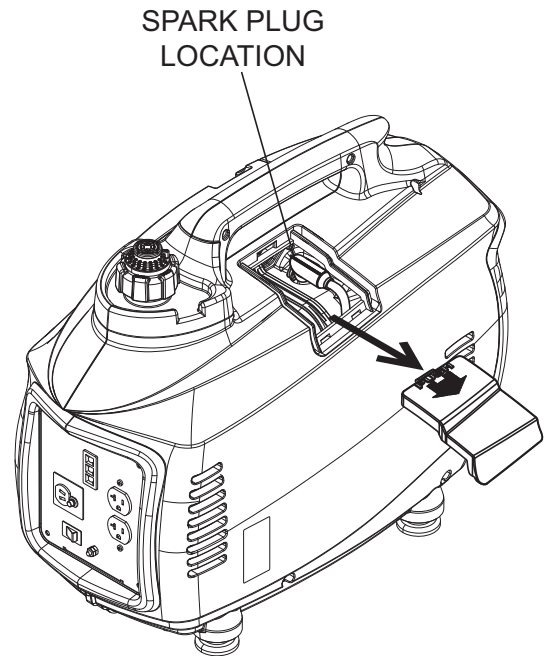
2. Tip the generator upright once the oil has finished draining. Replace the engine oil with the proper grade called out in Section "ADDING ENGINE OIL", then replace the drain plug.

3.6 CHANGING THE SPARK PLUG

Replace the spark plug each year, regardless of how many hours the generator has been run. Use a NGK CR7HSA that has been gapped to .030" (.76mm). To replace the spark plug:

1. Remove the spark plug cover on the top right side of the generator, just below the handle (Figure 11).
2. Carefully pull the spark plug lead from the spark plug. Use a socket wrench to remove the spark plug.
3. Install the new spark plug into the cylinder head. Tighten the spark plug to 15 ft/lb.
4. Replace the spark plug lead, making sure it is fully seated.
5. Replace the spark plug cover.

Figure 11 - Replace Spark Plug



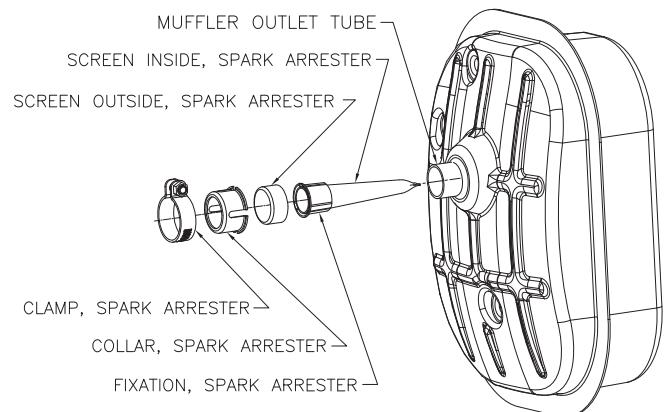
3.7 CLEAN SPARK ARRESTOR SCREEN

The engine exhaust muffler has a spark arrestor screen. Inspect and clean the screen every 50 hours of operation or once each year, whichever comes first.

Clean and inspect the spark arrestor as follows:

- Remove the screen retainer by removing the retainer clamp.
- Slide the spark arrestor screen out from the muffler outlet tube.
- Inspect screen and replace if torn, perforated or otherwise damaged. Do NOT use a defective screen. If screen is not damaged, clean with a commercial solvent.
- Replace the screen and retainer and secure with retainer clamp.

Figure 12 - Spark Arrestor Screen



3.8 TRANSPORTATION AND STORAGE

Transport or store the generator only if it has cooled completely. Make sure the fuel valve and the vent on the fuel cap are both in the OFF ("O") position.

It is important to prevent gum deposits from forming in essential fuel system parts such as the carburetor, fuel hose or tank during long-term storage. Also, experience indicates that alcohol-blended fuels (called gasohol, ethanol or methanol) can attract moisture, which leads to separation and formation of acids; these acids can damage the fuel system of an engine while in storage.

To avoid engine problems, the use of a commercial fuel stabilizer prior to storage is recommended. Follow the manufacturer's instructions when adding the fuel stabilizer.

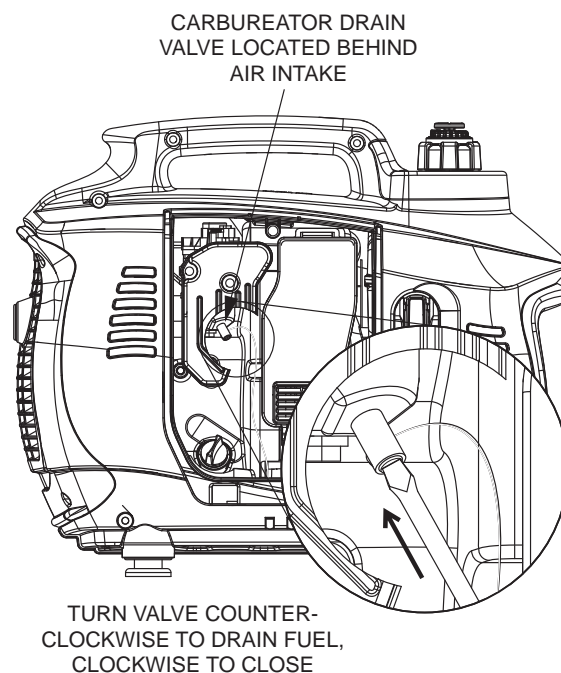
If the generator is going to be stored for more than six (6) months, the generator should be prepared as follows:

1. Remove all gasoline from the fuel tank.
2. Start and run engine until engine stops from lack of fuel or open the valve on carburetor bowl (Figure 13), and allow gasoline to drain down tube into a receptacle. Discard appropriately. Be sure to close the valve once the gasoline has drained.
3. After the engine cools down, drain oil from crankcase. Refill with recommended grade.
4. Remove spark plug and pour about 1/2 ounce (15 ml) of engine oil into the cylinder. Cover spark plug hole with rag. Pull the starting rope several times to coat the cylinder wall with engine oil.
5. Install and tighten the spark plug.
6. Clean the generator outer surfaces. Check that cooling air slots and openings on generator are open and unobstructed.
7. Store the unit in a clean, dry place.

Do not store gasoline from one season to another.

If possible, store the unit indoors and cover it to give protection from dust and dirt.

Figure 13 - Carburetor Drain Valve



4.1 TROUBLESHOOTING GUIDE

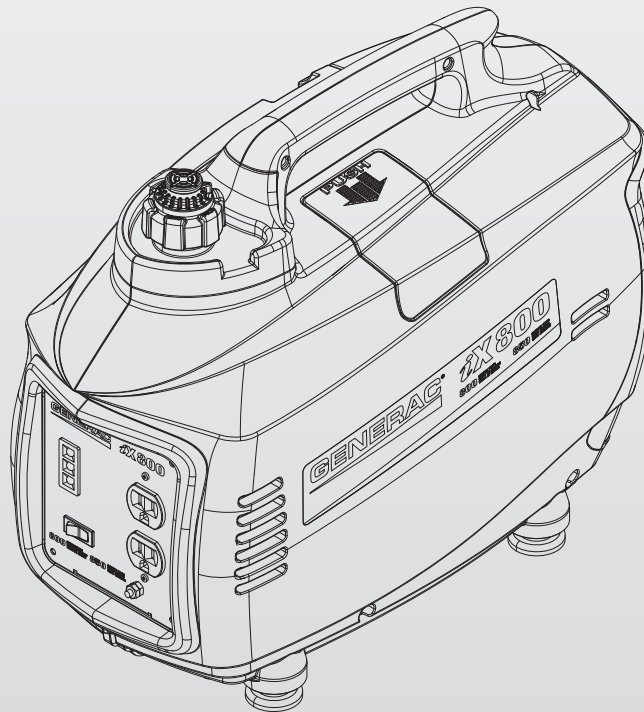
PROBLEM	CAUSE	CORRECTIVE ACTION
Engine won't start.	<ol style="list-style-type: none"> 1. No fuel in tank. 2. Fuel valve turned off. 3. Defective spark plug. 4. Defective or stuck engine stop switch. 	<ol style="list-style-type: none"> 1. Add fuel to tank. 2. Turn fuel valve on. 3. Replace spark plug. 4. Replace engine start switch.
Engine starts, then shuts down.	<ol style="list-style-type: none"> 1. Low fuel level. 2. Fuel tank vent closed. 3. Incorrect engine oil level. 4. Contaminated fuel. 5. Defective low oil level switch. 6. Defective ignition coil. 	<ol style="list-style-type: none"> 1. Add fuel to tank. 2. Open fuel tank vent. 3. Check engine oil level, add or drain as needed. 4. Replace fuel filter. 5. Replace Low Oil Level switch. 6. Replace ignition coil.
Engine starts, then runs rough.	<ol style="list-style-type: none"> 1. Choke is stuck or left on. 2. Dirty or clogged air filter. 3. Defective or dirty spark plug. 4. Defective FlexPower switch. 	<ol style="list-style-type: none"> 1. Turn choke off. 2. Clean or replace the air filter element. 3. Replace spark plug. 4. Replace FlexPower switch.
No AC output.	<ol style="list-style-type: none"> 1. Generator is overloaded (OVERLOAD LED is on). 2. AC voltage is low (OVERLOAD LED is on). 3. Inverter module is overheated (OVERLOAD LED is on). 4. Short circuit in load (OVERLOAD LED is on). 5. Defective inverter assembly. 	<ol style="list-style-type: none"> 1. Shut down generator to reset module. Reduce loads and restart generator. 2. Verify vent is open and choke is OFF. 3. Verify service door is ON. Let cool for 15 minutes and restart generator. 4. Verify condition of any extension cords and all loads being powered. 5. Replace inverter assembly.
Fuel leaks from drain hoses.	<ol style="list-style-type: none"> 1. Fuel system over primed (flooded). 2. Carburetor drain in bowl is not closed. 	<ol style="list-style-type: none"> 1. Turn vent in cap ON and let generator sit 15 minutes before restarting. 2. Turn valve clockwise to close.

* Engine speed increases and decreases — This is normal as the generator starts up and as loads vary.

MODELO: 005791-3

iX 800

Manual del operador del Generador Inversor Digital



⚠ PELIGRO

- ⚠ ¡HUMOS DE ESCAPE MORTALES! ¡Utilícelo SOLAMENTE al AIRE LIBRE y lejos de ventanas, puertas y respiraderos!**
- ⚠ NO DISEÑADO PARA SER USADO EN APLICACIONES DE SOPORTE DE VIDA CRÍTICA.**
- ⚠ GUARDE este Manual. Proporcione este manual a cualquier operador del generador.**



www.generac.com or 1-888-GENERAC

Tabla de contenidos

Caja de accesorios	16
Introducción	17
Lea este manual completamente	17
Reglas de seguridad	17
Índice de estándares	19
Información General	20
1.1 Especificaciones	20
1.2 Identificación de la unidad	20
Operación	21
2.1 Revisión antes de usar	21
2.2 Arranque del generador	22
2.3 Agregar cargas	22
2.4 Uso del interruptor FlexPower™	23
2.5 Apagado	23
2.6 Apagado por bajo nivel de aceite	24
2.7 Enchando combustible al generador	24
2.8 Agregando aceite de motor	24
Mantenimiento	25
3.1 Mantenimiento del generador	25
3.2 Programa de mantenimiento del generador	25
3.3 Limpiando el generador	25
3.4 Mantenimiento del motor	26
3.5 Cambio de aceite de motor	26
3.6 Cambio de bujía	26
3.7 Limpie el filtro de supresor de chispas	27
3.8 Transporte y almacenamiento	27

Detección de problemas	28
4.1 Guía de detección de problemas	28
Notas	29

CAJA DE ACCESORIOS

Revise todo el contenido. Si alguna parte no se encuentra o está dañada, ubique a un concesionario autorizado en el telf. 1-888-436-3722.

El contenido incluye:

- 1 botella de aceite SAE 30
- Llave de bujías
- Cable de carga de la batería
- Chimenea de aceite
- Destornillador

ADVERTENCIA!

Proposición 65 de California

El escape del motor y algunos de sus componentes son conocidos por el Estado de California como causa de cáncer, defectos congénitos y otros daños reproductivos.

ADVERTENCIA!

Proposición 65 de California

Este producto contiene o emite sustancias químicas que son conocidas por el Estado de California como causa de cáncer, defectos congénitos y otros daños reproductivos.

INTRODUCCIÓN

Gracias por comprar este modelo de Generac Power Systems, Inc. Este modelo es un generador impulsado por motor, refrigerado por aire, compacto y de alto rendimiento diseñado para proporcionar energía eléctrica para operar cargas eléctricas donde no haya servicio público de electricidad o en reemplazo de la red eléctrica en caso de apagones.

LEA ESTE MANUAL COMPLETAMENTE

Si alguna parte de este manual no se entiende bien, póngase en contacto con el concesionario autorizado más cercano para conocer los procedimientos de arranque, operación y servicio.

El operador es responsable del uso apropiado y seguro de este equipo. Recomendamos encarecidamente que el operador lea este manual y entienda completamente todas las instrucciones antes de usar este equipo. Asimismo recomendamos con igual firmeza el instruir a otros usuarios para arrancar y operar apropiadamente la unidad. Esto los prepara si necesitan operar el equipo en alguna emergencia.

El generador puede operar en forma segura, eficiente y confiable sólo si se le ubica, se le opera y mantiene en forma apropiada. Antes de operar o dar servicio al generador:

- Familiarícese y adhiérase estrictamente a todos los códigos y regulaciones locales, estatales y nacionales.
- Estudie todas las advertencias de seguridad en este manual y en el producto con mucho cuidado.
- Familiarícese con este manual y la unidad antes de usarla.

El fabricante no puede anticipar todas las posibles circunstancias que puedan involucrar peligros. Las advertencias en este manual y en las etiquetas y calcomanías fijadas en la unidad son, por tanto, no completamente inclusivas. Si se usa un procedimiento, método de trabajo o técnica de operación que el fabricante no recomienda específicamente, asegúrese de que sea seguro para los demás. Asimismo asegúrese que el procedimiento, método de trabajo o técnica de operación utilizada no vuelva inseguro al generador.

LA INFORMACIÓN CONTENIDA AQUÍ SE BASÓ EN MÁQUINAS EN PRODUCCIÓN AL MOMENTO DE LA PUBLICACIÓN. GENERAC SE RESERVA EL DERECHO DE MODIFICAR ESTE MANUAL EN CUALQUIER MOMENTO.

REGLAS DE SEGURIDAD

A lo largo de esta publicación, y en lo que respecta a las etiquetas y calcomanías fijadas en el generador, los bloques de PELIGRO, ADVERTENCIA, CUIDADO Y NOTA se usan para alertar al personal sobre instrucciones especiales sobre una operación en particular que puede ser peligrosa si se ejecuta en forma incorrecta o sin cuidado. Obsérvelas con cuidado. Sus definiciones son como sigue:

PELIGRO

Indica una situación peligrosa o acción que, si no se evita, traerá como resultado la muerte o un daño serio.

ADVERTENCIA

Indica una situación peligrosa o acción que, si no se evita, puede traer como resultado la muerte o un daño serio.

▲ CUIDADO


Indica una situación peligrosa o acción que, si no se evita, puede traer como resultado un daño menor o moderado.

NOTA:

Las notas contienen información adicional importante para un procedimiento y se les encontrará dentro del cuerpo de este manual.

Estas advertencias de seguridad no pueden eliminar los peligros que indican. El sentido común y un estricto cumplimiento de las instrucciones especiales cuando se realiza la acción o servicio son esenciales para evitar accidentes.

Cuatro símbolos de seguridad usados comúnmente acompañan los bloques de **PELIGRO**, **ADVERTENCIA** y **CUIDADO**. El tipo de información que cada uno indica es como sigue:

 Este símbolo señala importante información de seguridad que, si no se sigue, puede poner en peligro la seguridad personal y/o las propiedades de otros.

 Este símbolo indica un peligro potencial de explosión.

 Este símbolo indica un peligro potencial de incendio.

 Este símbolo indica un peligro potencial de choque eléctrico.

PELIGROS GENERALES

- NUNCA opere en un área cerrada o en interiores, en un vehículo, incluso si las puertas y ventanas están abiertas.
- Por razones de seguridad, el fabricante recomienda que el mantenimiento de este equipo sea llevado a cabo por un concesionario autorizado. Inspeccione el generador con regularidad, y póngase en contacto con el concesionario autorizado más cercano si necesita repararlo o conseguir repuestos.
- Opere el generador sólo en superficies planas y donde no esté expuesto a excesiva humedad, suciedad, polvo o vapores corrosivos.
- Mantenga las manos, pies, ropa, etc., lejos de las correas de tracción, ventiladores y otras partes móviles. Nunca retire ninguna protección o escudo de ventilador mientras la unidad esté operando.
- Ciertas partes del generador se calientan en extremo durante la operación. Aléjese del generador hasta que se haya enfriado para evitar quemaduras severas.
- NO opere el generador en la lluvia.
- No altere la construcción del generador ni cambie los controles de modo que puedan crear una condición de operación no segura.



Instrucciones de seguridad importantes

! GUARDE ESTAS INSTRUCCIONES – El fabricante sugiere que estas reglas para la operación segura se copien y publiquen cerca del sitio de instalación de la unidad. Debe insistirse en la seguridad para todos los operadores y potenciales operadores de este equipo. SIEMPRE preste este Manual del Propietario y haga énfasis en la importancia de leer el mismo antes de operar la unidad.

- Nunca arranque o detenga la unidad con cargas eléctricas conectadas a las tomas Y con dispositivos conectados y encendidos. Arranque el motor y deje que se estabilice antes de conectar las cargas eléctricas. Desconecte todas las cargas eléctricas antes de apagar el generador.
- Al trabajar con este equipo, manténgase alerta en todo momento. Nunca trabaje en el equipo cuando esté física o mentalmente fatigado.
- Nunca use el generador ni alguna de sus partes como escalón. Pararse sobre la unidad puede tensar y romper partes, y puede traer como resultado condiciones peligrosas de operación como escape de gases, combustible o aceite.

PELIGROS DEL ESCAPE Y UBICACIÓN

- **iNunca opere en áreas cerradas o interiores! iNUNCA lo use en el hogar, en un vehículo, o en áreas parcialmente cerradas, como garajes, aún si las puertas y ventanas están abiertas! Úselo SÓLO en exteriores y lejos de ventanas abiertas, puertas, ductos de ventilación y en áreas que no acumularán el mortal gas del escape.**

! PELIGRO	
Si usa un generador en interiores, MORIRÁ EN POCOS MINUTOS.	
El escape del generador contiene monóxido de carbono. Es un veneno que no tiene olor ni se puede ver.	
	
NUNCA lo use dentro de una casa o garaje, AUN si las puertas y ventanas están abiertas.	Sólo úselo EN EXTERIORES y lejos de ventanas, puertas y ductos de ventilación.

- Los humos del escape del motor contienen monóxido de carbono, que no se puede oler ni ver. Este gas venenoso, si se aspira en concentraciones suficientes, puede hacerle perder la conciencia y causarle la muerte.
- El flujo adecuado y sin obstrucciones de aire para ventilación y refrigeración es crítico para la correcta operación del generador. No altere la instalación ni permita que haya siquiera un bloqueo parcial de la provisión de ventilación, ya que esto puede afectar seriamente la operación segura del generador. El generador DEBE ser operado en exteriores.
- Este sistema de escape debe tener un apropiado mantenimiento. No haga nada que pueda poner en peligro la seguridad del escape o que no cumpla con algún código local o estándar.
- El fabricante recomienda instalar una alarma de monóxido de carbono operada con baterías en los interiores, de acuerdo a las instrucciones del fabricante.
- Si se empieza a sentir mal, enfermo, mareado o débil luego de que el generador haya estado funcionando, muévase al aire fresco INMEDIATAMENTE. Vaya donde un médico, ya que pudiera usted haber sido envenenado con monóxido de carbono.

PELIGROS ELÉCTRICOS

- El generador produce alto voltaje peligroso durante la operación. Evite el contacto con cables pelados, terminales conexiones, etc. mientras la unidad está funcionando, aún con equipo conectado al generador. Asegúrese que todas las cubiertas, protecciones y barreras apropiadas se encuentren en su lugar antes de operar el generador.
- Nunca manipule ningún cable eléctrico ni dispositivo mientras esté de pie sobre agua, con los pies descalzos o con las manos o pies húmedos. **PUEDA HABER UNA DESCARGA ELÉCTRICA COMO RESULTADO.**
- El Código Eléctrico Nacional (NEC) requiere que el marco y las partes externas que son conductores eléctricos estén conectadas apropiadamente a una conexión a tierra aprobada. Los códigos eléctricos locales pueden asimismo requerir una apropiada conexión a tierra del generador. Consulte con un electricista local los requerimientos de conexión a tierra para su área.
- Use un circuito interruptor de falla de tierra en cualquier área húmeda o altamente conductiva (como estanterías de metal o trabajos en acero).
- No use cables eléctricos gastados, pelados, deshilachados o de algún modo dañados con el generador.
- En caso de un accidente causado por descarga eléctrica, apague inmediatamente la fuente de energía eléctrica. Si esto no es posible, intente liberar a la víctima del conductor vivo. **EVITE EL CONTACTO DIRECTO CON LA VÍCTIMA.** Use un implemento no conductivo, como una soga o una tabla, para liberar a la víctima del conductor vivo. Si la víctima está inconsciente, aplique los primeros auxilios y consiga ayuda médica inmediatamente.

PELIGROS DE INCENDIO

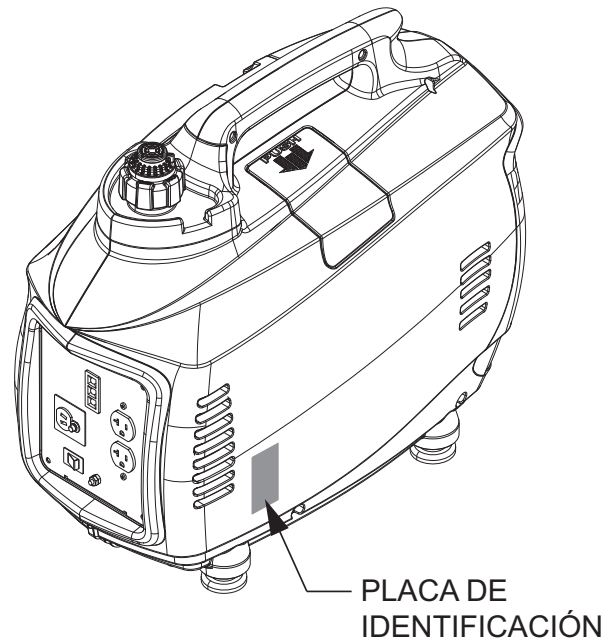
- **La gasolina es altamente INFLAMABLE y sus vapores son EXPLOSIVOS. No permita que fumen, haga fuegos abiertos, chispas o calor en la vecindad mientras manipula gasolina.**
- **Nunca añada gasolina mientras la unidad está funcionando o está caliente.** Deje enfriar al motor completamente antes de añadir combustible.
- **Nunca llene el tanque de combustible en el interior de la casa.** Cumpla todas las leyes que regulan el almacenamiento y manipulación de gasolina.
- **No sobrecargue el tanque de combustible. Deje siempre espacio para la expansión del combustible.** Si el tanque está sobrecargado, el combustible puede desparramarse sobre el motor caliente y causar un INCENDIO o una EXPLOSIÓN. Nunca almacene el generador con combustible en el tanque donde los vapores de la gasolina pueden alcanzar llamas abiertas, chispas o fuegos piloto (como en una chimenea, calentador de agua o secador de ropa). Puede generarse un INCENDIO o una EXPLOSIÓN. Deje enfriar la unidad completamente antes de almacenarse.
- Limpie cualquier derrame de combustible o aceite inmediatamente. Asegúrese de que no haya materiales combustible dejados sobre o cerca del generador. Mantenga el área alrededor del generador limpia y libre de residuos y conserve una claridad de cinco (5) pies a todos los lados para permitir una ventilación apropiada para el generador.
- No inserte objetos a través de las ranuras de enfriamiento de la unidad.

Instrucciones de seguridad importantes

- **No** opere el generador si los dispositivos eléctricos conectados sobrecalientan, si la salida eléctrica se pierde, si el motor o el generador bota chispas o se observa humo mientras la unidad está funcionando.
- Tenga un extinguidor cerca al generador en todo momento.

MODELO N°:	
N° DE SERIE:	

Figura 1 - Paca de ID del generador



ÍNDICE DE ESTÁNDARES

1. Asociación nacional de protección contra incendios (NFPA) 70: El CÓDIGO ELÉCTRICO NACIONAL (NEC) disponible en www.nfpa.org
2. Asociación nacional de protección contra incendios (NFPA) 5000: CÓDIGO DE EDIFICACIÓN Y SEGURIDAD disponible en www.nfpa.org
3. El Código internacional de la construcción disponible en www.iccsafe.org
4. Manual de Cableado Agrícola disponible en www.rerc.org , Consejo de Recursos de Electricidad Rural P.O. Box 309 Wilmington, OH 45177-0309
5. ASAE EP-364.2 Instalación y mantenimiento de energía eléctrica de respaldo en granjas disponible en www.asabe.org, Sociedad Americana de Ingenieros Agrícolas y Biológicos 2950 Niles Road, St. Joseph, MI 49085

Esta lista no es inclusiva. Verifique con la Autoridad con jurisdicción local (AHJ) cualesquiera códigos locales o normas que puedan ser aplicables a su jurisdicción.

1.1 ESPECIFICACIONES

Tipo de motor	Cilindro único, 4 golpes
Tamaño del motor	38cc
Tipo de arrancador	Recule
Capacidad y tipo de combustible	0.42 Gal (1.5L) sin plomo
Capacidad de aceite	0.18 Qt (0.17L)
Tiempo de funcionamiento a plena y media carga	2.0/3.5 Horas
Tipo de bujías	NGK CR7HSA
Espaciamiento de la bujía030"
Bujía pieza número	0H8097
Dimensiones L x W x H (pulg)	18 x 10 x 15
Peso Lb/kg	29/13.2
Máxima salida AC	800W
Salida AC pico	850W
Voltios AC	120 VAC
Capacidad de corriente AC	6.6 A
Frecuencia	60 Hz
THD	3.0%
Clase de aislamiento	Clase B
Tomas	(2) 5-15R

NOTA:

La salida de potencia y el tiempo de funcionamiento están influenciados por muchos factores, como por ejemplo la calidad del combustible, la temperatura ambiental y la condición del motor. La salida disminuye aproximadamente 3.5% por cada 1,000 pies sobre el nivel del mar y 1% por cada 10 grados encima de los 60°F.

1.1.1 INFORMACIÓN SOBRE LAS EMISIONES

La agencia de protección ambiental (EPA) exigen que su generador cumpla con los estándares de emisión de vapores y escapes. Este generador está certificado para cumplir los niveles de emisión de EPA y CARB aplicables. Información adicional respecto a los requerimientos puestos por EPA a continuación:

Es importante que usted siga las especificaciones de mantenimiento proporcionadas en este manual para asegurar que su motor cumple con los estándares de emisión aplicables por la duración de la vida del motor. Este motor está certificado para operar con gasolina. El sistema de control de emisiones de su generador consiste en lo siguiente:

- Sist. medición de combustible
 - ~ Carburador
 - ~ Bomba de combustible
 - ~ Líneas de combustible
 - ~ Tanque de combustible/tapón
 - ~ Líneas de venteo evaporativo
- Sistema de arranque
 - ~ Bujía
 - ~ Módulo de arranque
- Sistema de inducción de aire
 - ~ Tubería de entrada/distribuidor
 - ~ Limpiador de aire

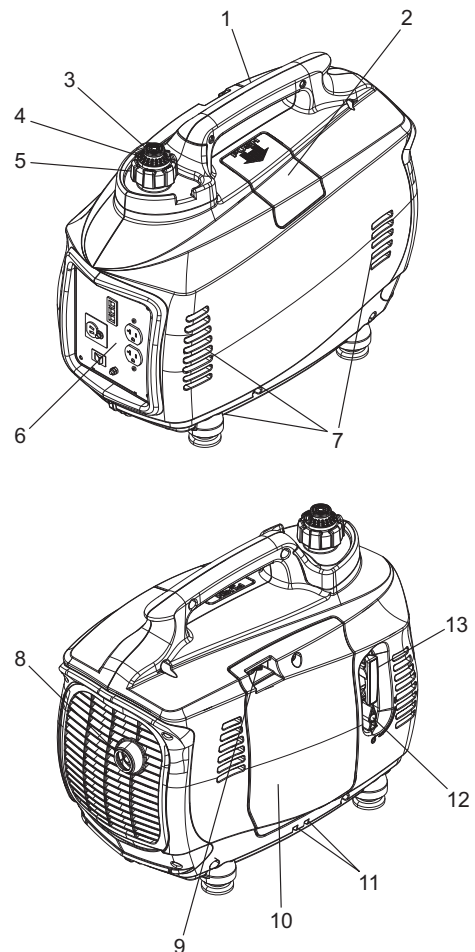
El período de cumplimiento de emisiones mencionado en la etiqueta de cumplimiento de emisiones indica el número de horas de operación para las que el motor ha demostrado cumplir los requerimientos de emisión federales.

1.2 IDENTIFICACIÓN DE LA UNIDAD

(Fig. 2)

1. Manija para transporte: Levante el generador sólo con esta manilla.
2. Cubierta de bujía: Permite el acceso a la bujía del motor.
3. Purga del sistema de combustible: Se usa para purgar el sistema de combustible para el arranque.
4. Válvula de presión de la tapa de combustible: Permite ingresar el aire al tanque de combustible para igualar las presiones.
5. Tapa de tanque de combustible: Acceso al tanque de combustible para el llenado.
6. Panel de control: ubicación de los controles del generador y receptáculos de salida.
7. Tablilla de toma de aire: Permite que el aire ingrese a la carcasa.
8. Silenciador: disminuye el ruido del escape del motor (incluye el supresor de chispas).
9. Choke: Ayuda el arranque del motor frío
10. Cubierta lateral izquierda de servicio: Permite el acceso al filtro de aire y llenado de aceite.
11. Mangueras de ventilación: Permiten la ventilación del carburador.
12. Cierre de combustible: Controla el suministro del combustible al carburador.
13. Cuerda de arranque: Tire la cuerda para arrancar el motor.

Figura 2 - Identificación de la unidad



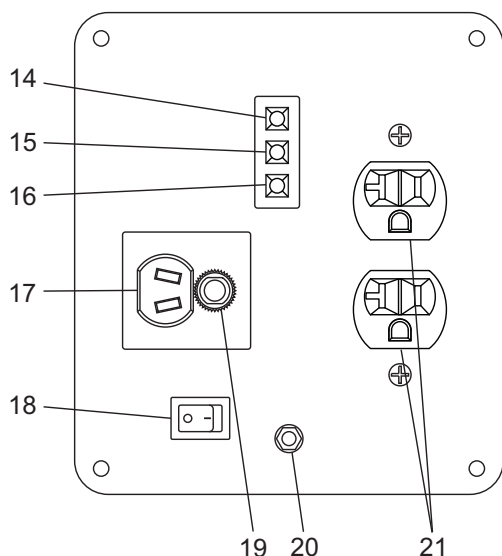
1.2.1 TABLERO DE CONTROL (Figura 3)

14. BAJO NIVEL DE ACEITE LED (amarillo): Se enciende cuando el nivel de aceite está por debajo del nivel operativo seguro y el motor se apaga.
15. LED DE sobrecarga (rojo): Se enciende si el generador experimenta una carga mayor que la salida nominal, un bajo voltaje, se sobrecalienta o el circuito de alimentación sufre un corto. La salida se detiene aún si el motor continúa funcionando.
16. LED DE Sistema listo (verde): Indica salida del generador a menos que haya alguna condición de bajo nivel de aceite o sobrecarga.
17. Conector de 12 VCC: Conexión para recargar las baterías de tipo automóvil de 12 VCC mientras el generador está en operación.
18. Conmutador FlexPower™ Este interruptor disminuye la velocidad del motor cuando la carga se reduce con el fin de ahorrar combustible y desgaste del motor.
19. Interruptor de circuito de 12 VCC: Protección de sobrecarga para el sistema de carga de 12VCC.
20. Lengüeta de conexión de tierra: Punto de tierra para el generador, consulte los códigos eléctricos locales y estatales antes de usar (tierra flotante).
21. Receptáculos de 120 VAC: Dos (02) receptáculos para conectar accesorios.

NOTA:

No exceda la salida nominal del generador.

Figura 3 - Panel de control



2.1 REVISIÓN ANTES DE USAR

Antes de arrancar el generador y agregar cargas, realice las siguientes tareas

1. Asegúrese de que el generador se encuentre sobre una superficie firme (no exceda los 15° en ninguna dirección), nivelada y no combustible con al menos cinco (5) pies de claridad en todos los lados.

⚠ PELIGRO

- ⚠ **iNunca opere en áreas cerradas o interiores! iNUNCA lo use en el hogar, en un vehículo, o en áreas parcialmente cerradas, como garajes, aún si las puertas y ventanas están abiertas! Úselo SÓLO en exteriores y lejos de ventanas abiertas, puertas, ductos de ventilación y en áreas que no acumularán el mortal gas del escape.**
- ⚠ **Los humos del escape del motor contienen monóxido de carbono, que no se puede oler ni ver. Este gas venenoso, si se aspira en concentraciones suficientes, puede hacerle perder la conciencia y causarle la muerte.**
- ⚠ **El flujo adecuado y sin obstrucciones de aire para ventilación y refrigeración es crítico para la correcta operación del generador. No altere la instalación ni permita que haya siquiera un bloqueo parcial de la provisión de ventilación, ya que esto puede afectar seriamente la operación segura del generador. El generador DEBE ser operado en exteriores.**
- ⚠ **Este sistema de escape debe tener un apropiado mantenimiento. No haga nada que pueda poner en peligro la seguridad del escape o que no cumpla con algún código local o estándar.**
- ⚠ **El fabricante recomienda instalar una alarma de monóxido de carbono operada con baterías en los interiores, de acuerdo a las instrucciones del fabricante.**
- ⚠ **iNunca opere en áreas cerradas o interiores! iNUNCA lo use en el hogar, en un vehículo, o en áreas parcialmente cerradas, como garajes, aún si las puertas y ventanas están abiertas! Úselo SÓLO en exteriores y lejos de ventanas abiertas, puertas, ductos de ventilación y en áreas que no acumularán el mortal gas del escape.**

⚠ PELIGRO

Si usa un generador en interiores, MORIRÁ EN POCOS MINUTOS.

El escape del generador contiene monóxido de carbono. Es un veneno que no tiene olor ni se puede ver.



NUNCA lo use dentro de una casa o garaje, AUN si las puertas y ventanas están abiertas.



Sólo úselo EN EXTERIORES y lejos de ventanas, puertas y ductos de ventilación.

Operación

2. Retire la tapa de combustible y revise el nivel de aceite. Si se necesita combustible, vea la sección "AGREGAR COMBUSTIBLE AL GENERADOR".
3. Retire la cubierta de servicio del lado izquierdo y revise el nivel de aceite retirando la tapa del llenador de aceite. El nivel de aceite deberá estar en la parte de abajo de los hilos del tubo de llenado de aceite. Si se necesita aceite, vea la sección "AGREGAR ACEITE DE MOTOR".
4. Reemplace y asegure la cubierta de servicio lateral izquierda.
5. Asegúrese de que no haya cargas conectadas al generador.
6. El Código Eléctrico Nacional (NEC) requiere que el marco y las partes externas que son conductores eléctricos estén conectadas apropiadamente a una conexión a tierra aprobada. La apropiada conexión a tierra del generador evitará una descarga eléctrica en el caso en que se presente una falla de tierra en el generador o en los dispositivos conectados. Una apropiada conexión a tierra también ayuda a disipar la electricidad estática, que generalmente se acumula en dispositivos sin protección.
7. Los códigos eléctricos locales pueden asimismo requerir una apropiada conexión a tierra del generador.

⚠ CUIDADO

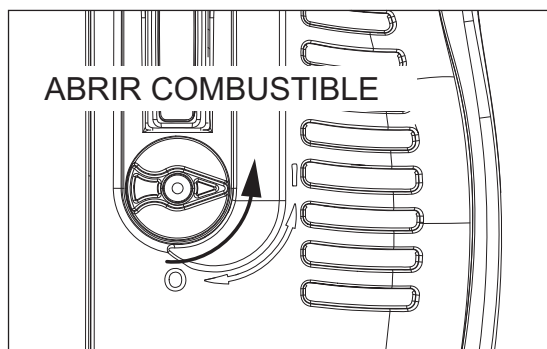
- ⚠ Arrancar el generador con accesorios conectados a las salidas de 120 VAC dañará al generador y a los accesorios conectados.**

2.2 ARRANQUE DEL GENERADOR

Una vez que el combustible y los niveles de aceite hayan sido revisados y que se haya verificado que no hay cargas conectadas, el generador puede arrancarse. Apague el interruptor FlexPower (O).

1. Abra la válvula de aceite (Figura 4), ubicada debajo de la cuerda del arrancador, girando la válvula 90° en sentido antihorario a la posición "ON" (I).
2. Tire del centro de la tapa de llenado de combustible y purgue el sistema de combustible presionando el émbolo hasta cinco (5) veces con la ventilación cerrada (Figura 5).
3. Abra la ventilación del tanque de combustible encima de la tapa de llenado de combustible girando la parte central a la marca "ON" (encendido) (Figura 5).
4. Si el motor está frío o no ha funcionado por algún tiempo, enganche el choke presionando la palanca de choke a la derecha.

Figura 4 - Válvula de combustible



5. Tome el manubrio para el tiro de arranque y coloque su mano contra el generador. Tire la cuerda suavemente hasta que encuentre resistencia, luego tire la cuerda rápidamente.
6. Si el motor no arranca, repita los pasos del 2 al 5 hasta que el motor arranque y empiece a funcionar.
7. Ajuste con cuidado el choke a aproximadamente media posición hasta que el motor empiece a funcionar suavemente, luego presione la palanca del todo hacia la izquierda.
8. Asegúrese de que el fondo del generador no esté bloqueado por arena, hojas, pasto, etc. ya que los ductos de ventilación se encuentran en la parte de abajo de la unidad.

Figura 5 - Purgar sistema de combustible

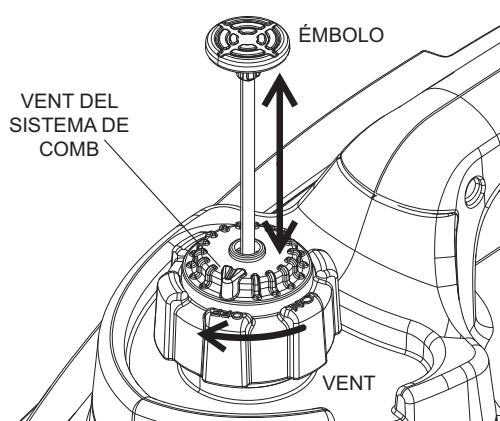
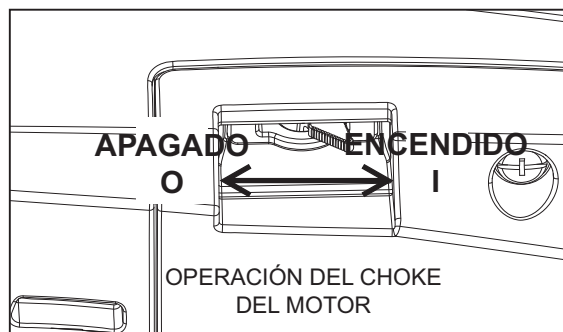


Figura 6 - Ajuste del Choke



2.3 AGREGAR CARGAS

Una vez que el generador haya funcionado suavemente por 2 o 3 minutos, se debe agregar las cargas eléctricas.

⚠ ADVERTENCIA

- ⚠ No use cables eléctricos gastados, pelados, deshilachados o de algún modo dañados con el generador. No manipule ningún tipo de dispositivo eléctrico mientras esté de pie sobre agua, con los pies descalzos o con las manos o pies húmedos.**

1. Existen dos salidas dúplex de 120 VAC conectadas a tierra en el frente del generador.

- NO sobrecargue el generador; si el LED rojo de "sobrecarga" se enciende y los accesorios conectados al generador dejan de funcionar, detenga el motor y reduzca la carga del generador. Reinicie y reduzca las cargas.
- Consulte la siguiente tabla para estimar lo que el generador puede alimentar.

Dispositivo	Vatios en funcionamiento
*Aire acondicionado (12,000 Btu)	1700
*Aire acondicionado (24,000 Btu)	3800
*Aire acondicionado (40,000 Btu)	6000
Cargador de baterías (20 Amp)	500
Lijadora de bandas (3")	1000
Sierra eléctrica	1200
Sierra circular (6-1/2") de 800 a 1000	
*Secadora de ropa (Eléctrica)	5750
*Secadora de ropa (a gas)	700
*Lavadora de ropa	1150
Cafetera	1750
*Compresor (1 HP)	2000
*Compresor (3/4 HP)	1800
*Compresor (1/2 HP)	1400
Rizador de pelo	700
*Deshumecedor	650
Lijadora de disco (9")	1200
Cortadora	500
Frazada eléctrica	400
Pistola eléctrica de clavos	1200
Rango eléctrico (por elemento)	1500
Sartén eléctrica	1250
*Congeladora	700
*Ventilador de chimenea(3/5 HP)	875
*Garaje de apertura automática de 500 a 750	
Secador de pelo	1200
Taladro de mano de 250 a 1100	
Cortador de setos	450
Herramienta de impacto	500
Plancha	1200
* Eyector	800
Cortadora de césped	1200
Bombilla de luz	100
Horno de microondas de 700 a 1000	
*Enfriador de leche	1100
Quemador de aceite sobre chimenea	300
Calentador de chispa de aceite (140,000 Btu)	400
Calentador de chispa de aceite (85,000 Btu)	225
Calentador de chispa de aceite (30,000 Btu)	150
*Pulverizador de pintura, sin aire (1/3 HP)	600
Pulverizador de pintura, sin aire (de mano)	150
Radio de 50 a 200	
*Refrigeradora	700
Cocina lenta	200
*Bomba sumergible (1-1/2 HP)	2800
*Bomba sumergible (1 HP)	2000
*Bomba sumergible (1/2 HP)	1500
*Bomba de desagüe de 800 a 1050	

* Calcule 3 veces la potencia de funcionamiento de la lista para arrancar estos dispositivos.

NOTA:

Quando se arranca un motor eléctrico, el LED de "SOBRECARGA" puede encenderse hasta por 5 segundos (esto es normal). Si permanece encendido, ha ocurrido una falla. Retire todas las cargas y apague el generador para reiniciar la alarma. Reinicie el generador. Si el LED de "SOBRECARGA" permanece encendido, pida ayuda al concesionario de Generac.

2.4 USO DEL INTERRUPTOR FLEXPPOWER™

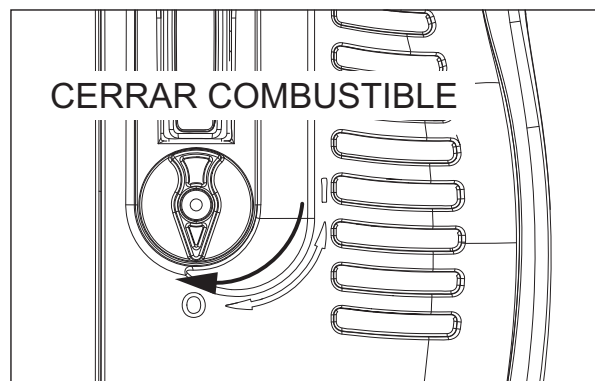
Quando los accesorios conectados al generador vayan a ser usados en forma intermitente (como un taladro de mano), el interruptor FlexPower™ puede colocarse en la posición "ON" (I). Esto disminuirá la velocidad del motor del generador cuando las cargas no se apliquen, ahorrando combustible, reduciendo el desgaste del motor y extendiendo el tiempo de funcionamiento.

2.5 APAGADO

Una vez que el generador no sea necesario, puede apagarse.

- Apague todos los accesorios conectados al generador. Desconecte todos los cables que vayan a las salidas dúplex de 120 VAC o el conector de 12 VCC.
- Gire la válvula de combustible a la posición OFF (O) (figura 7). Un interruptor detrás de la válvula de combustible conecta a tierra el sistema de ignición, deteniendo el motor y cerrando el abastecimiento de combustible.
- Cierre la ventilación en la tapa de combustible.
- Deje enfriar el generador antes de moverlo o almacenarlo.

Figura 7 - Cierre de combustible



⚠ CUIDADO

- ⚠ Deje enfriar el generador antes de almacenarlo. Las altas temperaturas estarán presentes en la parte de atrás de la unidad por algún tiempo luego del apagado.

2.6 APAGADO POR BAJO NIVEL DE ACEITE

Este generador está equipado con un apagado por bajo nivel de aceite. Si el nivel de aceite en el cárter del motor disminuye por debajo de un nivel predeterminado, el motor se detendrá automáticamente y se encenderá un LED DE "BAJO ACEITE".

Retire la cubierta izquierda de servicio y revise el nivel de aceite del motor. Agregue o drene aceite si es necesario, consulte la sección "AGREGAR ACEITE DE MOTOR".

2.7 ENCHANDO COMBUSTIBLE AL GENERADOR

Tenga cuidado al echar combustible al generador. Sólo llene el tanque de combustible cuando el generador se haya enfriado completamente. Use gasolina fresca sin plomo con un número de octanaje (RON) mínimo de 87.

NOTA:

No use ninguna gasolina que contenga más de 10% de etanol. NUNCA llene el tanque de combustible con E85 o alguna mezcla de aceite y gasolina diseñada para motores de dos ciclos.

⚠ PELIGRO

No encienda cigarrillos o fume cuando esté llenando el tanque de combustible.

⚠ La gasolina es altamente INFLAMABLE y sus vapores son EXPLOSIVOS. No permita que fumen, haga fuegos abiertos, chispas o calor en la vecindad mientras manipula gasolina.

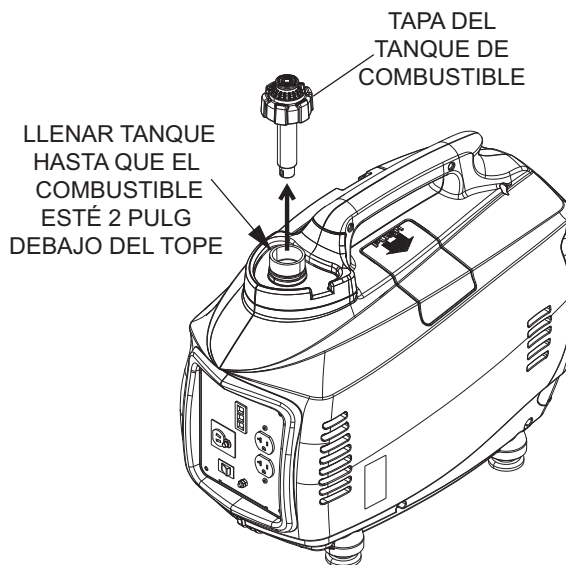
⚠ Nunca llene el tanque en interiores, nunca llene el tanque con el motor funcionando o caliente. Evite derramar gasolina sobre un motor caliente. Deje enfriar el motor completamente antes de llenar el tanque de combustible.

⚠ No sobrecargue el tanque de combustible. Deje siempre espacio para la expansión del combustible. Si el tanque está sobrecargado, el combustible puede desparramarse sobre el motor caliente y causar un INCENDIO o una EXPLOSIÓN. ¡Limpie los derrames de combustible inmediatamente!

2.7.1 PARA LLENAR EL TANQUE DE COMBUSTIBLE

1. Retire la tapa del tanque de combustible.
2. Agregue el combustible lentamente, deteniéndose 2 pulgadas debajo de la parte superior del cuello del llenador.
3. Vuelva a colocar la tapa del tanque de combustible. Asegúrese de que la válvula en la tapa de combustible esté en posición OFF.
4. Si el generador se va a arrancar, consulte la sección "ARRANQUE DEL GENERADOR" para indicaciones adicionales sobre el purgado del sistema de combustible.

Figura 8 - Tapa del tanque de combustible

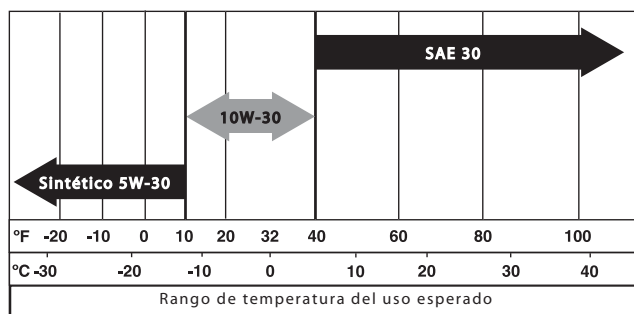


2.8 AGREGANDO ACEITE DE MOTOR

Todo aceite debe cumplir el estándar mínimo de la American Petroleum Institute (API) Service Class SJ, SL o superior. No use ningún aditivo desconocido.

Seleccione el grado de viscosidad del aceite de acuerdo a la temperatura esperada de operación.

- Por encima de 40° F, use SAE 30
- Por debajo de 40° F y hasta 10° F, use 10W-30
- Por debajo de 10° F, use 5W-30 sintético



2.8.1 PARA AGREGAR ACEITE DE MOTOR AL CÁRTER

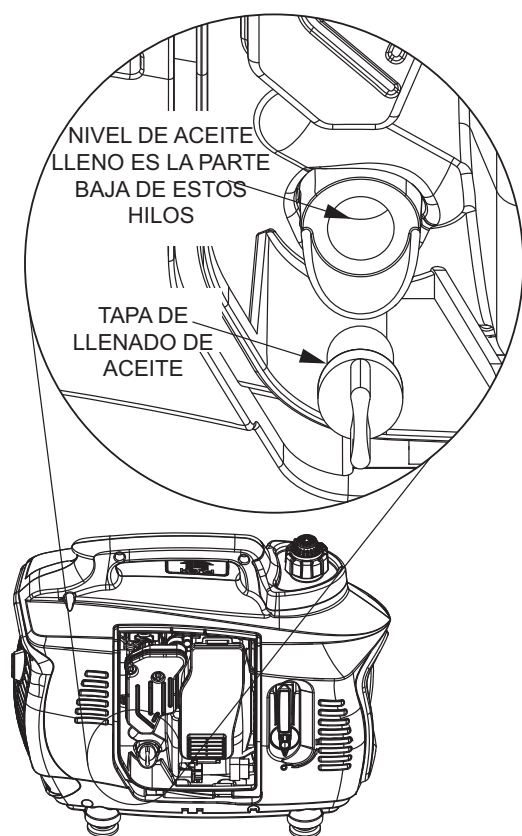
1. Coloque la unidad sobre una superficie plana y firme (no exceda los 15° en ninguna dirección).
2. Retire la cubierta izquierda de servicio.
3. Retire la tapa de aceite, ubicadas en la parte inferior del cárter del motor.
4. Agregue el aceite de motor recomendado lentamente, deteniéndose frecuentemente para revisar el nivel. El nivel lleno es la gase de los hilos del cuello del llenador. ¡NO LLENE DEMASIADO!

- Vuelva a colocar la tapa del llenador de aceite.
- Siempre revise el nivel de aceite antes de arrancar el motor del generador.

⚠️ CUIDADO

NO llene demasiado el cárter del motor con aceite. Puede traer como resultado una alta presión de aceite, causando un desgaste prematuro y daños al motor.

Figura 9 - Llenado de aceite



3.1 MANTENIMIENTO DEL GENERADOR

Un cuidado apropiado asegurará un máximo rendimiento de su generador. El mantenimiento del generador consiste en mantener a la unidad limpia y seca. Opere y almacene la unidad en un ambiente limpio y seco donde no esté expuesta a excesivo polvo, suciedad, humedad ni vapores corrosivos.

Las ranuras de aire de enfriamiento en el generador no deberán obstruirse con nieve, hojas ni ningún material extraño.

Revise la limpieza del generador frecuentemente y límpielo cuando el polvo, suciedad, humedad y otras sustancias extrañas sean visibles en su superficie exterior.

NOTA:

Nunca inserte ningún objeto ni herramienta a través de las ranuras de aire de refrigeración, aún si el motor no está funcionando.

NOTA:

NO use una manguera de jardín para limpiar el generador. El agua puede ingresar al sistema de combustible del motor y causar problemas. Adicionalmente, si el agua ingresa al generador a través de las ranuras de aire, algo del agua será retenida en vacíos o grietas del aislamiento del bobinado del rotor y estator. La acumulación del agua y el polvo en los bobinados internos del generador eventualmente disminuirán la resistencia de aislamiento de esos bobinados.

3.2 PROGRAMA DE MANTENIMIENTO DEL GENERADOR

Siga el programa de servicio recomendado; para ordenar repuestos llame al 1-888-436-3722.

	C/uso	C/100 hrs	C/6 ms	C/año
Nivel de combustible	X			
Nivel de aceite	X			
Verifique filtro de aire	X			
*Cambie el aceite del motor		X		
**Limpie el filtro de aire		X		
Revise la bujía			X	
Revise el silenciador			X	
Reemplazo de bujías				X
Limpie el supresor de chispas***				X

* Realice un cambio de aceite inicial luego de las primeras cinco (5) horas de operación.
 ** Limpie el filtro de aire más seguido si opera en condiciones de polvo y arena. Reemplace si es necesario.
 *** Inspeccione y limpie cada 50 horas de operación.

3.3 LIMPIANDO EL GENERADOR

- Use un trapo húmedo para limpiar las superficies exteriores.
- Una escobilla suave de cerdas puede usarse para soltar suciedades pegadas, aceite, etc.
- Se puede usar una aspiradora para levantar la suciedad suelta y restos.
- Se puede usar una baja presión de aire (que no exceda las 25 psi) para soplar la suciedad. Inspeccione las ranuras de aire de ventilación y las aberturas del generador. Estas aberturas deben mantenerse limpias y sin obstrucciones.
- Inspeccione las mangueras de ventilación en el lado izquierdo del generador. Asegúrese de que las mangueras sobresalgan a través de las ranuras debajo de la puerta y que los extremos estén abiertos y libres de residuos.

3.4 MANTENIMIENTO DEL MOTOR

⚠ CUIDADO

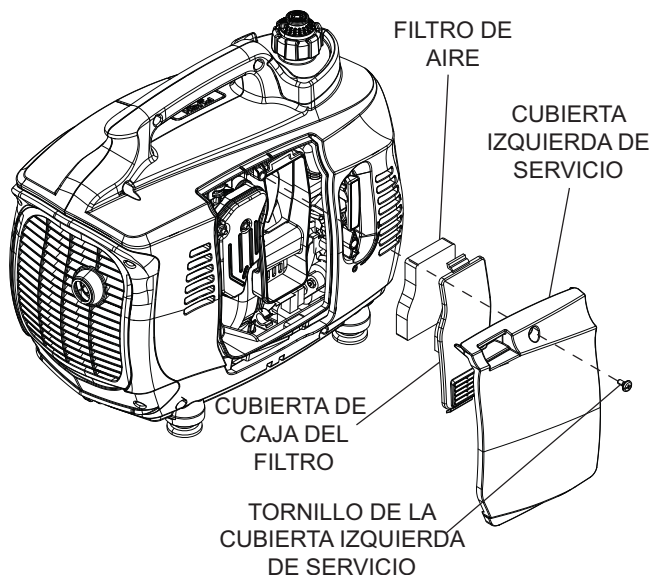
⚠ **Sólo realice trabajos en el generador cuando esté completamente frío.**

Inspeccione el nivel de aceite y la condición del filtro de aire cada vez que vaya usted a usar el generador. Para revisar el filtro de aire y el de aceite se debe retirar la cubierta izquierda de servicio, use un destornillador para soltar los tornillos que aseguran la cubierta y retírela.

El filtro de aire está ubicado detrás de una cubierta para la caja de aire (figura 10). Presione la pestaña en la parte de abajo de la caja de aire hacia arriba para soltar la cubierta. Para dar servicio al limpiador de aire:

1. Retire el limpiador de aire. Dele un golpecito a la unidad para soltar cualquier partícula grande.
2. Lave el elemento en agua jabonosa. Exprima el filtro para secarlo en una tela limpia (NO LO TUERZA).
3. Sumerja el elemento del filtro en aceite de motor limpio. Exprima el exceso de aceite del filtro, dejando una capa ligera.
4. Limpie la caja del limpiador de aire y su cubierta antes de reinstalar el elemento del filtro.
5. Para solicitar un nuevo filtro de aire, deberá número 0H56810216.

Figura 10 - Filtro de aire



3.5 CAMBIO DE ACEITE DE MOTOR

⚠ CUIDADO

⚠ **El aceite caliente puede ocasionar quemaduras. Permita que el motor se enfríe totalmente antes de drenar el aceite. Evite la exposición prolongada o repetida de la piel con el aceite usado. Lave a fondo las áreas expuestas con jabón.**

Cambie el aceite del motor después de las primeras cinco (5) horas de operación. Después, cambie el aceite del motor cada 100 horas. Para cambiar el aceite del motor:

⚠ CUIDADO

⚠ **Cambie el aceite solamente cuando el nivel de combustible en el depósito esté bajo o casi vacío. Inclinarse el generador con un depósito de combustible lleno puede ocasionar una fuga de combustible.**

1. Coloque el generador sobre una charola de recolección y quite el tapón de drenado. Inclíne el generador sobre un costado para drenar el aceite usado del cárter del motor.

NOTA:

Para facilitar el drenado del aceite, se puede colocar una manguera de vinilo (PVC) de 6" de largo y con un diámetro interior de 1,25" (32 mm) sobre el labio del drenaje.

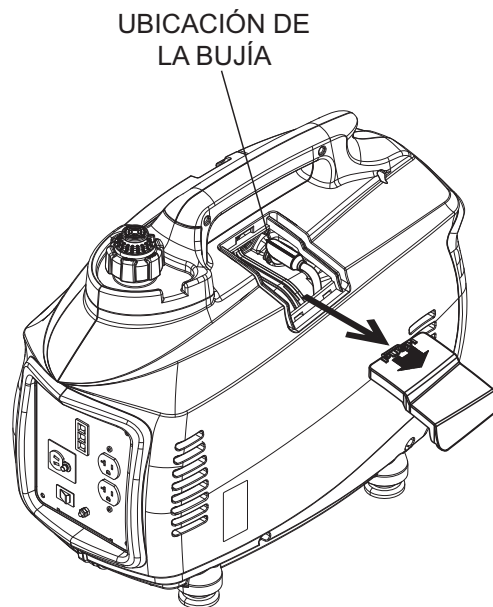
2. Enderece el generador una vez que el aceite se haya drenado. Reemplace el aceite de motor con el grado apropiado indicado en la Sección "CÓMO AGREGAR ACEITE DE MOTOR", después vuelva a colocar el tapón de drenado.

3.6 CAMBIO DE BUJÍA

Reemplace la bujía cada año, sin importar cuántas horas ha funcionado el generador. Use un NGK BPR7HS con un espaciado de .030" (.76mm). Para reemplazar la bujía:

1. Saque la cubierta de la bujía en la parte superior derecha del generador, justo debajo del manubrio (Figura 11).
2. Tire con cuidado la punta de la bujía. Use una llave de dado para sacar la bujía.
3. Instale la nueva bujía en la cabeza del cilindro. Ajuste la bujía a 15 pies/libra.
4. Vuelva a colocar la punta de la bujía, asegurándose que esté bien colocada.
5. Vuelva a colocar la cubierta de la bujía.

Figura 11 - Reemplazo de la bujía



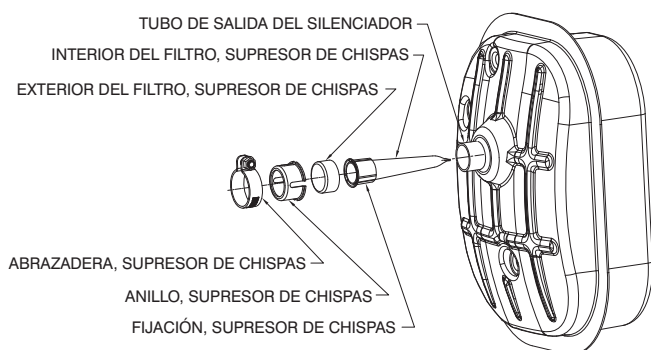
3.7 LIMPIE EL FILTRO DE SUPRESOR DE CHISPAS

El silenciador del escape del motor tiene un filtro supresor de chispas. Inspeccione y limpie el filtro cada 50 horas de operación o una vez al año, lo que suceda primero.

Limpie e inspeccione el supresor de chispas como sigue:

- Retire el retenedor del filtro retirando la abrazadera del retenedor.
- Deslice el filtro del supresor de chispas fuera del tubo de salida del silenciador.
- Inspeccione el filtro y reemplácelo si está rasgado, perforado o de otra manera dañado. NO use un filtro defectuoso. Si el filtro está dañado, límpielo con un solvente comercial.
- Reemplace el filtro y el retenedor y asegure con abrazadera de retenedora.

Figura 12 - Filtro del supresor de chispas

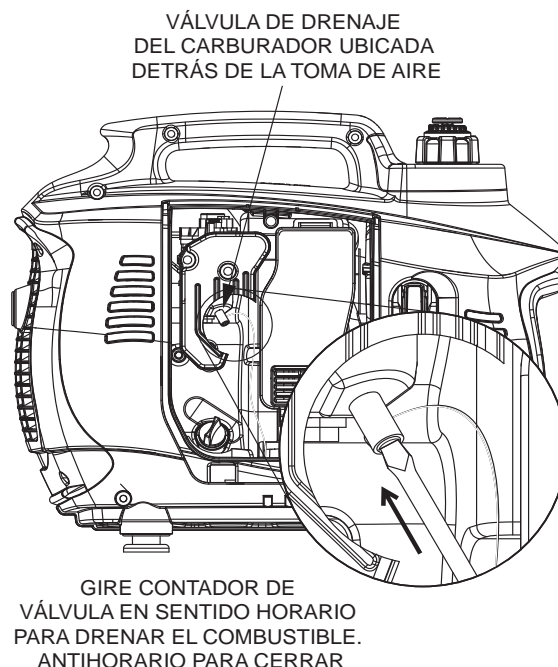


3. Después de que el motor se enfríe; drene el aceite del cárter. Reemplace con el grado recomendado.
4. Retire las bujía y llene alrededor de 1/2 onza (15 ml) de aceite de motor en los cilindros. Cubra el agujero de la bujía con un trapo. Tire la cuerda de arranque varias veces para cubrir las paredes del cilindro con aceite de motor.
5. Instale y ajuste la bujía.
6. Limpie las otras superficies del generador. Revise que las aberturas y ranuras de aire de ventilación en el generador estén abiertas y sin obstrucciones.
7. Almacene la unidad en un lugar limpio y seco.

No almacene gasolina de una estación a otra.

Si fuera posible, almacene la unidad en interiores y cúbrala para protegerla del polvo y la suciedad.

Figura 13 - Válvula de drenaje del carburador



3.8 TRANSPORTE Y ALMACENAMIENTO

Transporte o almacene el generador sólo si está completamente frío. Asegúrese de que la válvula de combustible y el respiradero de la tapa de combustible estén en posición OFF (O).

Es importante evitar que se formen depósitos de goma en las partes esenciales del sistema de combustible como el carburador, la manguera de combustible o el tanque durante el almacenamiento a largo plazo. Asimismo, la experiencia indica que los combustibles mezclados con alcoholes (llamados gasohol, etanol o metanol) pueden atraer la humedad, lo que llega a la separación y formación de ácidos, que pueden dañar el sistema de combustible del motor durante el almacenamiento.

Para evitar problemas con el motor, se recomienda el uso de un estabilizador comercial de combustible antes del almacenamiento. Siga las instrucciones del fabricante al añadir el estabilizador de combustible.

Si el generador se va a guardar por más de 6 meses, deberá prepararse como sigue:

1. Retire toda la gasolina del tanque de combustible.
2. Arranque y haga funcionar el motor hasta que se detenga por falta de combustible o abra la válvula en el tazón del carburador (Figura 13) y deje que la gasolina drene hacia abajo por el tubo a un receptáculo. Descarte en forma apropiada. Asegúrese de cerrar la válvula una vez que la gasolina ha drenado.

DetECCIÓN de problemas

4.1 GUÍA DE DETECCIÓN DE PROBLEMAS

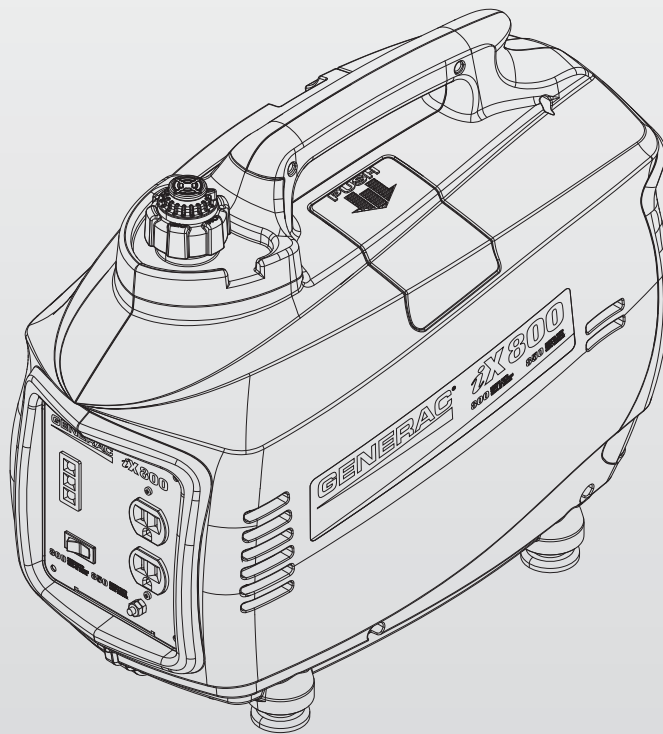
PROBLEMA	CAUSA	ACCIÓN CORRECTIVA
El motor no arranca	<ol style="list-style-type: none"> 1. No hay combustible en el tanque. 2. Válvula de combustible cerrada 3. Bujía defectuosa 4. Interruptor de parada de motor atascado o defectuoso. 	<ol style="list-style-type: none"> 1. Añada combustible al tanque. 2. Abra la válvula de combustible. 3. Reemplace la bujía. 4. Reemplace el interruptor de arranque del motor.
El motor se enciende, luego se apaga.	<ol style="list-style-type: none"> 1. Bajo nivel de combustible. 2. Respiradero de tanque de combustible cerrado. 3. Incorrecto nivel de aceite de motor. 4. Combustible contaminado. 5. Interruptor de nivel de aceite defectuoso. 6. Bobina de arranque defectuosa. 	<ol style="list-style-type: none"> 1. Añada combustible al tanque. 2. Abra el respiradero del tanque de combustible. 3. Revise el nivel de aceite del motor, añada o drene según sea necesario. 4. Reemplace el filtro de combustible. 5. Reemplace el interruptor de nivel de aceite defectuoso. 6. Reemplace la bobina de arranque.
El motor arranda, pero funciona con ruido.	<ol style="list-style-type: none"> 1. El choke está atascado o se ha dejado encendido. 2. Filtro de aire sucio o atorado. 3. Bujía sucia o defectuosa. 4. Interruptor FlexPower defectuoso. 	<ol style="list-style-type: none"> 1. Cierre el choke. 2. Limpie o reemplace el elemento del filtro de aire. 3. Reemplace la bujía. 4. Reemplace el interruptor FlexPower
No hay salida AC.	<ol style="list-style-type: none"> 1. El generador está sobrecargado (el LED DE SOBRECARGA está encendido). 2. El voltaje de AC es bajo (el LED DE SOBRECARGA está encendido). 3. El módulo inversor está muy caliente (el LED DE SOBRECARGA está encendido). 4. Cortocircuito en la carga (el LED DE SOBRECARGA está encendido). 5. Unidad inversora defectuosa. 	<ol style="list-style-type: none"> 1. Apague el generador para reiniciar el módulo. Reduzca las cargas y reinicie el generador. 2. Verifique que el ventilador esté abierto y el choke en OFF. 3. Verifique que la puerta de servicio esté en ON. Deje enfriar por 15 minutos y reinicie el generador. 4. Verifique la condición de cualquier cable de extensión y todas las cargas que se alimentarán. 5. Reemplace la unidad inversora.
Fugas de combustible desde las mangueras de drenaje.	<ol style="list-style-type: none"> 1. Sistema de combustible demasiado purgado (inundado). 2. Drenaje del carburador en un tazón no se ha cerrado. 	<ol style="list-style-type: none"> 1. Coloque en ON la ventilación de la tapa y deje que se asiente el generador por 15 minutos antes de reiniciarlo. 2. Gire la válvula en sentido horario para cerrarla.

* La velocidad del motor se incrementa y disminuye — Esto es normal ya que el generador arranca y las cargas varían.

MODÈLE : 005791-3

iX 800

Manuel d'utilisation du générateur inverseur numérique



⚠ DANGER!

- ⚠** GAZ D'ÉCHAPPEMENT MORTEL ! Utiliser UNIQUEMENT à L'EXTÉRIEUR loin des fenêtres, portes et événements !
- ⚠** L'UTILISATION N'EST PAS PRÉVUE POUR LES MOYENS D'ENTRETIEN ARTIFICIEL DE LA VIE.
- ⚠** CONSERVER ce manuel. Fournir ce manuel aux opérateurs de la génératrice.



Table des matières

Boîte d'accessoires	32
Introduction	33
Lire attentivement ce manuel	33
Règles de sécurité	33
Index des normes.....	35
Informations générales	36
1.1 Caractéristiques techniques	36
1.2 Identification de l'unité.....	36
Fonctionnement	37
2.1 Vérification avant utilisation	37
2.2 Démarrage du générateur	38
2.3 Ajout de charges	38
2.4 Utilisation de l'interrupteur FlexPower™	39
2.5 Système d'arrêt.....	39
2.6 Système d'arrêt de bas niveau d'huile.....	39
2.7 Ravitaillement du générateur.....	40
2.8 Ajout de l'huile de moteur.....	40
Maintenance	41
3.1 Maintenance du générateur	41
3.2 Programme de maintenance du générateur.....	41
3.3 Nettoyage du générateur.....	41
3.4 Maintenance du moteur.....	42
3.5 Changement de l'huile du moteur.....	42
3.6 Changement de la bougie d'allumage.....	42
3.7 Nettoyez l'écran du pare-étincelles	43
3.8 Transport et stockage.....	43

Dépannage	44
4.1 Guide de dépannage.....	44
Remarques	45

BOÎTE D'ACCESSOIRES

Vérifier le contenu de la boîte. Si des pièces sont absentes ou endommagées, merci de localiser un dépositaire agréé au 1-888-436-3722.

La boîte contient :

- 1 bidon d'huile SAE 30
- Entonnoir à huile
- Clé à bougie d'allumage
- Tournevis
- Câble de chargeur de batterie

ADVERTISSEMENT!

Proposition 65 Californie

L'échappement du moteur et certains de ses constituants sont susceptibles selon l'État de Californie d'entraîner des cancers, des malformations congénitales ou pouvant être nocifs pour le système reproductif.

ADVERTISSEMENT!

Proposition 65 Californie

Ce produit contient ou émet des produits chimiques susceptibles selon l'État de Californie d'entraîner des cancers, des malformations congénitales ou autres maladies pouvant être nocifs pour le système reproductif.

INTRODUCTION

Nous vous remercions d'avoir acheté ce modèle fabriqué par Generac Power Systems, Inc. Ce modèle est un générateur entraîné par moteur compact, à haute performance, refroidi à l'air, conçu pour fournir l'alimentation électrique afin de faire fonctionner les charges électriques lorsqu'aucun réseau électrique n'est disponible ou à la place du réseau en raison d'une coupure de courant.

LIRE ATTENTIVEMENT CE MANUEL

En cas d'incompréhension d'une partie de ce manuel, contacter le dépositaire agréé le plus proche pour connaître les procédures de démarrage, de fonctionnement et d'entretien.

L'opérateur est responsable de l'utilisation correcte et sûre de l'équipement. Nous recommandons fortement à l'opérateur de lire ce manuel et de comprendre complètement toutes les instructions avant d'utiliser l'équipement. Nous recommandons également fortement d'apprendre à d'autres utilisateurs comment correctement démarrer et faire fonctionner l'unité. Cela les prépare au cas où ils auraient besoin de faire fonctionner l'équipement pour une urgence.

Le générateur peut fonctionner en toute sécurité, de façon efficace et de façon fiable uniquement s'il est correctement installé, utilisé et entretenu. Avant de faire fonctionner ou d'effectuer l'entretien du générateur :

- Se familiariser avec et respecter strictement tous les codes et réglementations locaux, d'État et nationaux.
- Lire attentivement tous les avertissements de sécurité figurant dans ce manuel et sur le produit.
- Se familiariser avec ce manuel et l'unité avant de l'utiliser.

Le fabricant ne peut pas anticiper toutes les situations possibles qui peuvent impliquer un danger. Les avertissements de ce manuel et figurant sur les étiquettes et les autocollants apposés sur l'unité ne sont, toutefois, pas exhaustifs. Si vous suivez une procédure, une méthode de travail ou une technique de fonctionnement que le fabricant ne recommande pas en particulier, assurez-vous qu'elle est sans danger pour les autres. S'assurer que la procédure, la méthode de travail ou la technique de fonctionnement choisie ne rende pas le générateur dangereux.

LES INFORMATIONS CONTENUES DANS LE PRÉSENT MANUEL SE BASENT SUR LES MACHINES EN PRODUCTION AU MOMENT DE LA PUBLICATION. GENERAC SE RÉSERVE LE DROIT DE MODIFIER CE MANUEL À TOUT MOMENT.

RÈGLES DE SÉCURITÉ

Dans tout ce manuel, et sur les étiquettes et sur les autocollants apposés sur le générateur, les blocs DANGER, AVERTISSEMENT, ATTENTION et REMARQUE servent à alerter le personnel d'instructions spéciales au sujet d'une opération spécifique qui peut s'avérer dangereuse si elle n'est pas effectuée correctement ou avec précaution. Les respecter attentivement. Leurs définitions sont les suivantes :

DANGER!

Indique une situation ou une action dangereuse qui, si elle n'est pas évitée, entraînera la mort ou des blessures graves.

AVERTISSEMENT !

Indique une situation ou une action dangereuse qui, si elle n'est pas évitée, entraînera la mort ou des blessures graves.

ATTENTION!


Indique une situation ou une action dangereuse qui, si elle n'est pas évitée, entraînera des blessures légères ou modérées.

REMARQUE :

Les remarques contiennent des informations supplémentaires importantes relatives à une procédure et se trouvent dans le corps de texte régulier de ce manuel.

Ces avertissements de sécurité ne peuvent pas éliminer les dangers qu'ils signalent. Le sens commun et le respect strict des instructions spéciales lors de l'action ou l'entretien sont essentiels pour éviter les accidents.

Quatre symboles de sécurité couramment utilisés accompagnent les blocs **DANGER**, **AVERTISSEMENT** et **ATTENTION**. Chacun indique le type d'informations suivant :

 **Ce symbole indique des informations importantes relatives à la sécurité qui, si elles ne sont pas suivies, pourraient mettre en danger la sécurité personnelle et/ou les biens des autres.**

 **Ce symbole indique un risque potentiel d'explosion.**

 **Ce symbole indique un risque potentiel d'incendie.**

 **Ce symbole indique un risque potentiel d'électrocution.**

DANGERS GÉNÉRAUX

- NE JAMAIS faire fonctionner dans un espace clos, dans un véhicule, ou à l'intérieur même si les portes et les fenêtres sont ouvertes.
- Pour des raisons de sécurité, le fabricant recommande que la maintenance de cet équipement soit effectuée par un dépositaire agréé. Inspecter régulièrement le générateur et contacter le dépositaire agréé le plus proche pour les pièces qui nécessitent une réparation ou un remplacement.
- Faire fonctionner le générateur uniquement sur des surfaces de niveau et où il ne sera pas exposé à l'humidité, aux saletés, à la poussière ou aux vapeurs corrosives excessives.
- Tenir les mains, les pieds, les vêtements, etc., à distance des courroies de transmission, des ventilateurs et d'autres pièces mobiles. Ne jamais retirer tout protège-ventilateur pendant que l'unité fonctionne.
- Certaines pièces du générateur deviennent extrêmement chaudes pendant le fonctionnement. Rester à distance du générateur tant qu'il n'a pas refroidi afin d'éviter des brûlures graves.
- NE PAS faire fonctionner le générateur sous la pluie.
- Ne pas modifier la construction du générateur ni les commandes, ce qui pourrait créer une condition de fonctionnement dangereuse.
- Ne jamais démarrer ou arrêter l'unité avec les charges électriques branchées aux prises ET avec des dispositifs branchés sous tension. Démarrer le moteur et le laisser se stabiliser avant de brancher les charges électriques. Débrancher toutes les charges électriques avant d'arrêter le générateur.

Consignes de sécurité importantes

! **CONSERVER CES CONSIGNES** – Le fabricant recommande que ces règles relatives au fonctionnement sûr soient copiées et affichées à proximité du site d'installation de l'unité. Tous les opérateurs et opérateurs potentiels de cet équipement doivent prendre conscience de la question de la sécurité. Prêtez ce manuel et soulignez TOUJOURS l'importance de le lire avant de faire fonctionner l'appareil.

- Lors du travail sur cet équipement, conserver l'alerte à tout moment. Ne jamais travailler sur l'équipement en cas de fatigue physique ou mentale.
- Ne jamais utiliser le générateur ou n'importe laquelle de ses pièces comme marche. Monter sur l'unité peut écraser et casser les pièces, et peut entraîner des conditions de fonctionnement dangereuses suite à une fuite de gaz d'échappement, une fuite de carburant, une fuite d'huile, etc.

DANGERS D'ÉCHAPPEMENT ET D'EMPLACEMENT

- **Ne jamais faire fonctionner dans un espace clos ou à l'intérieur. NE JAMAIS utiliser à la maison, dans un véhicule, ou dans des zones en partie clos tels que les garages, même si les portes et les fenêtres sont ouvertes ! Utiliser UNIQUEMENT à l'extérieur et loin des fenêtres, portes ouvertes, ventilations, et dans un espace dans lequel le gaz d'échappement ne s'accumulera pas de façon mortelle.**

⚠ DANGER	
Utiliser un générateur à l'intérieur PEUT VOUS TUER EN QUELQUES MINUTES. Les gaz d'échappement du générateur contiennent du monoxyde de carbone. C'est un gaz toxique invisible et inodore.	
 NE JAMAIS utiliser à l'intérieur d'une maison ou d'un garage, MÊME SI les portes et les fenêtres sont ouvertes.	 Utiliser UNIQUEMENT à l' EXTÉRIEUR et loin des fenêtres, portes et ventilations.

- Les fumées d'échappement du moteur contiennent du monoxyde de carbone, un gaz toxique invisible et inodore. Ce gaz toxique, s'il est respiré en concentrations suffisantes, peut entraîner une perte de conscience ou même la mort.
- Un débit approprié, non obstrué d'air de refroidissement et de ventilation est important pour corriger le fonctionnement du générateur. Ne pas modifier l'installation ou ne pas laisser même un blocage partiel de l'alimentation de ventilation, étant donné que cela peut sérieusement affecter le fonctionnement sûr du générateur. Il FAUT faire fonctionner le générateur à l'extérieur.
- Ce système d'échappement doit être correctement entretenu. Ne rien faire qui pourrait rendre le système d'échappement dangereux ou non conforme aux codes locaux et/ou normes locales.
- Le fabricant recommande d'installer un détecteur d'oxyde de carbone à alimentation par batterie à l'intérieur, conformément aux instructions du fabricant.
- Si vous commencez à vous sentir mal, étourdi ou faible suite au fonctionnement du générateur, éloignez-vous et respirez de l'air frais IMMÉDIATEMENT. Consultez un médecin, car vous avez peut-être été victime d'une intoxication due au monoxyde de carbone.

DANGERS ÉLECTRIQUES

- Le générateur produit une tension dangereusement haute pendant son fonctionnement. Éviter le contact avec les fils nus, les bornes, les branchements, etc., pendant le fonctionnement de l'unité, même sur l'équipement branché au générateur. S'assurer que tous les couvercles, les dispositifs de protection et les barrières sont en place avant de faire fonctionner le générateur.
- Ne jamais manipuler tout type de cordon ou de dispositif électrique qui est dans l'eau, alors que vous êtes pieds nus ou que vos mains ou vos pieds sont mouillés. **CELA ENTRAÎNERA UN RISQUE D'ÉLECTROCUTION.**
- Le National Electric Code (Code électrique national) exige que le bâti et que les pièces externes électriquement conductrices du générateur soient correctement reliés à une terre approuvée. Les codes électriques locaux peuvent également exiger la bonne mise à la terre du générateur. Consulter un électricien local pour connaître les exigences de mise à la terre dans la région.
- Utiliser un disjoncteur de fuite à la terre dans toute zone humide ou très conductrice (telle que le carter protecteur métallique ou l'aciérie).
- Ne pas utiliser de cordons électriques usés, nus, effilochés ou autrement endommagés avec le générateur.
- En cas d'accident causé par électrocution, couper immédiatement la source d'alimentation électrique. Si cela est impossible, essayer de libérer la victime du conducteur sous tension. **ÉVITER TOUT CONTACT DIRECT AVEC LA VICTIME.** Utiliser un objet non conducteur, comme une corde ou une planche, pour libérer la victime du conducteur sous tension. Si la victime est inconsciente, assurer les premiers secours et demander une aide médicale immédiate.

RISQUES D'INCENDIE

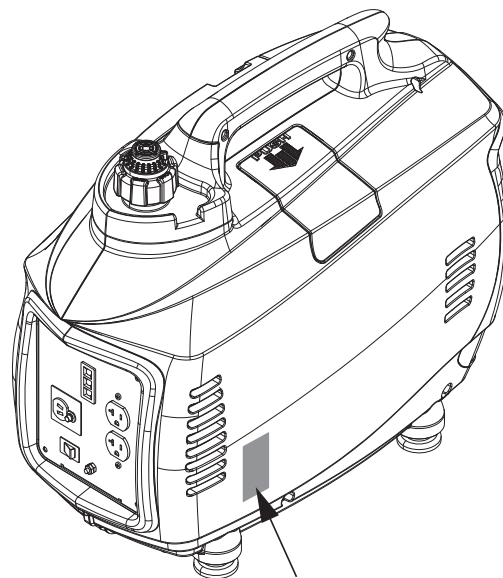
- L'essence est **extrêmement INFLAMMABLE** et ses vapeurs sont **EXPLOSIVES**. Ne pas produire de fumée, flammes nues, étincelles ou chaleur à proximité de l'endroit où l'essence est manipulée.
- **Ne jamais ajouter de carburant lorsque l'unité fonctionne ou est chaude.** Laisser le moteur complètement refroidir avant d'ajouter du carburant.
- **Ne jamais remplir le réservoir d'essence à l'intérieur.** Respecter toutes les lois réglementant le stockage et la manipulation de l'essence.
- **Ne pas trop remplir le réservoir d'essence. Toujours laisser de la place pour l'expansion du carburant.** En cas de suremplissage du réservoir, le carburant peut déborder sur un moteur chaud et entraîner un INCENDIE ou une EXPLOSION. Ne jamais stocker le générateur avec le réservoir rempli de carburant étant donné que les vapeurs d'essence pourraient atteindre une flamme ouverte, des étincelles ou une veilleuse (comme il y en a sur une chaudière, un chauffe-eau ou sur un sèche-linge). Cela peut entraîner un INCENDIE ou une EXPLOSION. Laisser l'unité complètement refroidir avant le stockage.
- Nettoyer immédiatement toute éclaboussure de carburant ou d'huile. S'assurer qu'aucune matière combustible ne reste sur ou à proximité du générateur. Garder l'espace environnant du générateur propre et sans débris et garder un jeu de cinq (5) pieds sur tous les côtés afin de permettre une aération adaptée du générateur.
- Ne pas insérer d'objet dans les fentes de refroidissement de l'unité.

Consignes de sécurité importantes

- **Ne pas** faire fonctionner le générateur si des dispositifs électriques branchés surchauffent ; si la puissance électrique est perdue ; si le moteur ou le générateur fait des étincelles ; si des flammes ou de la fumée sont détectées alors que l'unité fonctionne.
- Garder un extincteur à proximité du générateur à tout moment.

N° DE MODÈLE :	
N° DE SÉRIE :	

Schéma 1 - Plaque d'identité du générateur



PLAQUE
D'IDENTIFICATION

INDEX DES NORMES

1. National Fire Protection Association (Association nationale pour la protection contre les incendies) 70 : Le NATIONAL ELECTRIC CODE (Code électrique national) disponible auprès de www.nfpa.org
2. National Fire Protection Association (Association nationale pour la protection contre les incendies) 5000 : Le BUILDING CONSTRUCTION AND SAFETY CODE disponible auprès de www.nfpa.org
3. International Building Code disponible auprès de www.iccsafe.org
4. Agricultural Wiring Handbook disponible auprès de www.rerc.org, Rural Electricity Resource Council P.O. Box 309 Wilmington, OH 45177-0309
5. ASAE EP-364.2 Installation and Maintenance of Farm Standby Electric Power (Installation et maintenance des systèmes électriques de secours pour les fermes), disponible auprès de www.asabe.org, American Society of Agricultural & Biological Engineers, 2950 Niles Road, St. Joseph, MI 49085

Cette liste n'est pas exhaustive. Vérifier avec l'autorité locale ayant juridiction pour les codes et normes locaux qui peuvent être appliqués à votre juridiction.

1.1 CARACTÉRISTIQUES TECHNIQUES

Type de moteur	Un cylindre, 4 temps
Taille du moteur	38 cc
Type de démarreur	Lanceur à rappel
Capacité / type de carburant	0,42 gal (1,5 l) / sans plomb
Capacité d'huile	0,18 Qt (0,17 l)
Temps de fonctionnement plein / à moitié chargé	2,0/3,5 heures
Type de bougie d'allumage	NGK CR7HSA
Écartement de bougie d'allumage	0,30"
Bougie pièce nombre	0H8097
Dimensions L x l x h (pouces)	18 x 10 x 15
Poids livre/kg	29/13,2
Sortie CA maximum	800 W
Sortie CA de surtension	850 W
Volts CA	120 VCA
Courant nominal CA	6,6 A
Fréquence	60 Hz
DHT	3,0 %
Classe d'isolement	Classe B
Sorties	(2) 5-15 R

REMARQUE :

La puissance de sortie et le temps de fonctionnement sont influencés par de nombreux facteurs, notamment la qualité du carburant, la température ambiante et l'état du moteur. La puissance de sortie diminue d'environ 3,5 % pour chaque tranche de 1 000 pieds au-dessus du niveau de la mer et de 1 % pour chaque tranche de 6 °C (10 °F) degrés au-dessus de 16 °C (60 °F).

1.1.1 INFORMATIONS RELATIVES AUX ÉMISSIONS

L'Agence pour la protection de l'environnement (EPA) exige que votre générateur soit conforme aux normes en matière d'émission d'échappement. Le générateur est certifié comme respectant tous les niveaux d'émission d'échappement EPA applicables. Pour plus d'informations relatives aux exigences établies par l'EPA, lire ce qui suit :

Il est impératif de respecter les spécifications de maintenance indiquées dans ce manuel afin de s'assurer que votre moteur est conforme aux normes applicables en matière d'émission pendant la durée de vie du moteur. Ce moteur est certifié comme fonctionnant à l'essence. Le système de contrôle des émissions de votre générateur est composé des éléments suivants :

- Système de dosage du carburant
 - ~ Carburateur
 - ~ Pompe à carburant
 - ~ Tuyaux de carburant
 - ~ Capuchon/réservoir de carburant
 - ~ Canalisations de tuyaux d'évacuation
- Système d'allumage
 - ~ Bougie d'allumage
 - ~ Module d'allumage
- Système d'induction d'air
 - ~ Pipe/collecteur d'admission
 - ~ Filtre à air

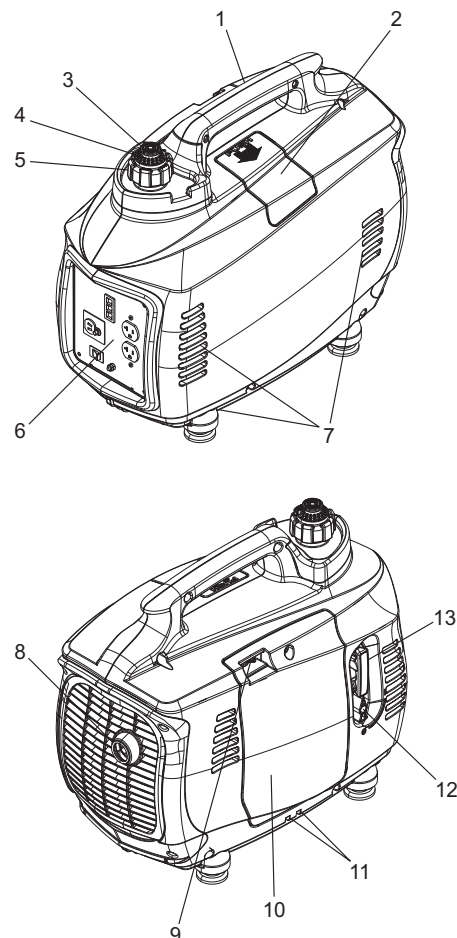
La période de conformité des émissions à laquelle il est fait référence sur l'étiquette de conformité des émissions indique le nombre d'heures de fonctionnement pendant lesquelles le moteur a prouvé respecter les exigences fédérales en matière d'émission.

1.2 IDENTIFICATION DE L'UNITÉ

(Schéma 2)

1. Poignée de transport : soulevez le générateur uniquement à l'aide de cette poignée.
2. Couvercle de la bougie d'allumage : permet d'accéder à la bougie d'allumage du moteur.
3. Amorce du système de carburant : utilisée pour amorcer le système de carburant afin qu'il démarre.
4. Soupape de pression du bouchon du réservoir d'essence : permet à l'air de pénétrer dans le réservoir d'essence afin d'équilibrer la pression.
5. Bouchon du réservoir d'essence : accès au réservoir d'essence pour le remplissage.
6. Panneau de commande : emplacement des commandes du générateur et des prises de courant.
7. Orifices d'admission d'air : permettent à l'air de refroidissement d'entrer dans le boîtier.
8. Pot d'échappement : réduit le bruit d'échappement du moteur (inclut le pare-étincelles).
9. Étrangleur : système de démarrage à froid du moteur
10. Couvercle de service gauche : permet d'accéder au filtre à air et de remplissage d'huile.
11. Tuyaux de ventilation : les tuyaux permettent la ventilation du carburateur.
12. Soupape d'arrêt : contrôle l'alimentation en carburant du carburateur.
13. Ficelle du démarreur : tirez la ficelle pour démarrer le moteur.

Schéma 2 - Identification de l'unité



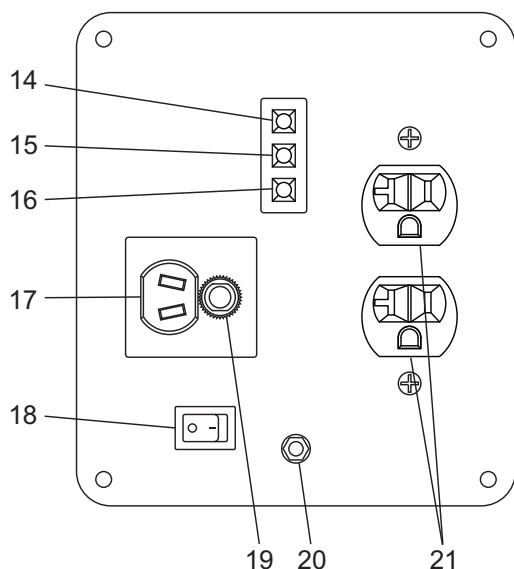
1.2.1 PANNEAU DE COMMANDE (Schéma 3)

14. DEL DE BAS NIVEAU D'HUILE (jaune) : s'allume lorsque le niveau d'huile se trouve sous le niveau de fonctionnement de sécurité et le moteur s'arrête.
15. DEL de surcharge (rouge) : s'allume si le générateur connaît une surcharge supérieure à la puissance nominale, une basse tension, des surchauffes ou que le circuit alimenté subit un court-circuit. La puissance de sortie est interrompue même si le moteur continue à tourner.
16. DEL indiquant que le système est prêt (verte) : Indique la puissance de sortie du générateur sauf en cas de bas niveau d'huile ou de condition de surcharge.
17. Prise 12 VCC : connexion pour recharger les batteries d'automobiles 12 VCC pendant que le générateur est en marche.
18. Interrupteur FlexPower™ : cet interrupteur ralentit la vitesse du moteur lorsque la charge est réduite pour économiser du carburant et empêcher l'usure du moteur.
19. Disjoncteur 12 VCC : protection contre les surcharges pour le système de charge 12 VCC.
20. Barrette de prise de terre : prise de masse du générateur ; consulter les codes électriques nationaux et locaux avant l'utilisation (mise à la terre séparée de signal et de circuit).
21. Prises 120 VCA : deux (2) prises pour brancher des dispositifs.

REMARQUE :

Ne pas dépasser la puissance nominale du générateur.

Schéma 3 - Panneau de commande



2.1 VÉRIFICATION AVANT UTILISATION

Avant de démarrer le générateur et d'ajouter les charges, effectuer les tâches suivantes :

1. S'assurer que le générateur se trouve sur une surface ferme (ne pas dépasser 15 ° dans aucune direction), plane et non combustible, avec au moins un espace de cinq (5) pieds sur tous les côtés.

⚠ DANGER!

- ⚠ Ne jamais faire fonctionner dans un espace clos ou à l'intérieur. NE JAMAIS utiliser à la maison, dans un véhicule, ou dans des zones en partie clos tels que les garages, même si les portes et les fenêtres sont ouvertes ! Utiliser UNIQUEMENT à l'extérieur et loin des fenêtres, portes ouvertes, ventilations, et dans un espace dans lequel le gaz d'échappement ne s'accumulera pas de façon mortelle.
- ⚠ Les fumées d'échappement du moteur contiennent du monoxyde de carbone, un gaz toxique invisible et inodore. Ce gaz toxique, s'il est respiré en concentrations suffisantes, peut entraîner une perte de conscience ou même la mort.
- ⚠ Un débit approprié, non obstrué d'air de refroidissement et de ventilation est important pour corriger le fonctionnement du générateur. Ne pas modifier l'installation ou ne pas laisser même un blocage partiel de l'alimentation de ventilation, étant donné que cela peut sérieusement affecter le fonctionnement sûr du générateur. Il FAUT faire fonctionner le générateur à l'extérieur.
- ⚠ Ce système d'échappement doit être correctement entretenu. Ne rien faire qui pourrait rendre le système d'échappement dangereux ou non conforme aux codes locaux et/ou normes locales.
- ⚠ Le fabricant recommande d'installer un détecteur d'oxyde de carbone à alimentation par batterie à l'intérieur, conformément aux instructions du fabricant.
- ⚠ Ne jamais faire fonctionner dans un espace clos ou à l'intérieur. à l'intérieur. NE JAMAIS utiliser à la maison, dans un véhicule, ou dans des zones en partie clos tels que les garages, même si les portes et les fenêtres sont ouvertes ! Utiliser UNIQUEMENT à l'extérieur et loin des fenêtres, portes ouvertes, ventilations, et dans un espace dans lequel le gaz d'échappement ne s'accumulera pas de façon mortelle.

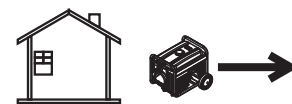
⚠ DANGER

Utiliser un générateur à l'intérieur PEUT VOUS TUER EN QUELQUES MINUTES.

Les gaz d'échappement du générateur contiennent du monoxyde de carbone. C'est un gaz toxique invisible et inodore.



NE JAMAIS utiliser à l'intérieur d'une maison ou d'un garage, MÊME SI les portes et les fenêtres sont ouvertes.



Utiliser UNIQUEMENT à l'EXTÉRIEUR et loin des fenêtres, portes et ventilations.

2. Retirer le bouchon du réservoir d'essence et vérifier le niveau de carburant. Si du carburant est nécessaire, consulter la section « RAVITAILLEMENT DU GÉNÉRATEUR ».

- Retirer le couvercle de service gauche et vérifier le niveau d'huile en retirant le bouchon de remplissage d'huile. Le niveau d'huile doit se situer au niveau du fond des filets du tuyau de remplissage d'huile. Si du carburant est nécessaire, consulter la section « AJOUT DE L'HUILE DE MOTEUR ».
- Remplacer et fixer le couvercle de service gauche.
- S'assurer qu'aucune charge n'est connectée au générateur.
- Le National Electric Code (Code électrique national) exige que le bâti et que les pièces externes électriquement conductrices du générateur soient correctement reliés à une terre approuvée. La bonne mise à la terre du générateur empêchera une électrocution en cas de condition de défaut de mise à la terre dans le générateur ou dans les dispositifs électriques branchés. La bonne mise à la terre aide également à dissiper l'électricité statique, qui s'accumule souvent dans les dispositifs non protégés.
- Les codes électriques locaux peuvent également exiger la bonne mise à la terre du générateur.

⚠ ATTENTION!

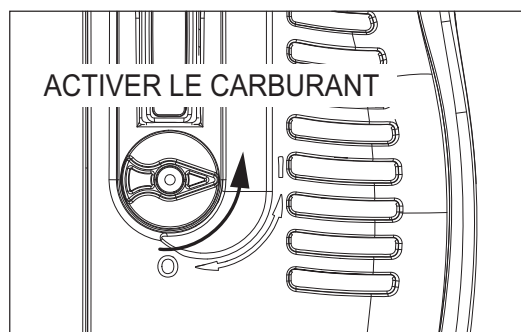
! Démarrer le générateur avec des accessoires connectés aux prises 120 VCA endommagera le générateur et les dispositifs branchés.

2.2 DÉMARRAGE DU GÉNÉRATEUR

Une fois les niveaux de carburant et d'huile vérifiés et après avoir contrôlé qu'aucune charge n'est connectée, le générateur peut être démarré. Actionnez l'interrupteur FlexPower (O).

- Ouvrez la vanne de combustible (Schéma 4), située sous la ficelle de démarrage, en tournant la soupape de 90° dans le sens contraire des aiguilles d'une montre vers la position « MARCHE » (I).

Schéma 4 - Vanne de combustible



- Tirer sur le centre du bouchon de remplissage de carburant et amorcer le système de carburant en abaissant le piston jusqu'à cinq (5) fois, avec l'évent fermé (Schéma 5).
- Ouvrir l'évent du réservoir d'essence situé au-dessus du bouchon de remplissage du carburant en tournant la partie centrale vers l'indication « ON » (Schéma 5).
- Si le moteur est froid ou s'il n'a pas tourné depuis un certain temps, actionner l'étrangleur en poussant le levier de l'étrangleur vers la droite.
- Saisir la poignée du démarreur et tenir le générateur avec l'autre main. Tirer la ficelle doucement jusqu'à ce que de la résistance se fasse sentir, puis tirer sur la ficelle rapidement.
- Si le moteur ne démarre pas, répéter les étapes 2 à 5 jusqu'à ce que le moteur démarre et commence à tourner.

- Régler minutieusement l'étrangleur à la mi-position environ jusqu'à ce que le moteur commence à tourner de manière régulière, puis pousser le levier complètement à gauche (Schéma 6).
- S'assurer que le fond du générateur n'est pas bloqué par du sable, des feuilles, de l'herbe, etc. étant donné que les événements de refroidissement sont situés au fond de l'unité.

Schéma 5 - Amorçage du système de carburant

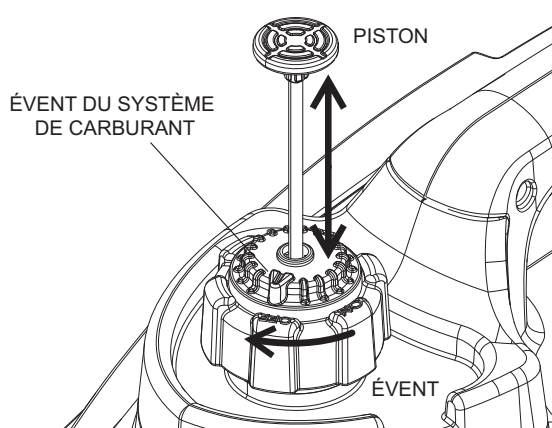
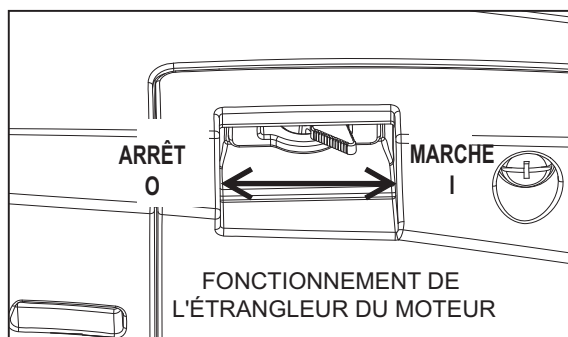


Schéma 6 - Réglage de l'étrangleur



2.3 AJOUT DE CHARGES

Une fois que le générateur fonctionne correctement pendant 2-3 minutes, les charges électriques peuvent être ajoutées.

⚠ AVERTISSEMENT!

⚠ Ne pas utiliser de cordons électriques usés, nus, effilochés ou autrement endommagés avec le générateur. Ne jamais manipuler tout type de dispositif électrique qui est dans l'eau, alors que vous êtes pieds nus ou que vos mains ou vos pieds sont mouillés.

- Deux prises doubles 120 VCA mises à la terre se trouvent sur la face avant du générateur.
- NE PAS surcharger le générateur ; si la DEL de « surcharge » rouge s'allume et que les dispositifs raccordés au générateur arrêtent de fonctionner, arrêter le moteur et réduire la charge du générateur. Redémarrer et appliquer des charges réduites.
- Consulter le tableau suivant pour évaluer ce qui peut être alimenté par le générateur.

Dispositif	Watts de fonctionnement
*Climatiseur (12 000 Btu)	1 700
*Climatiseur (24 000 Btu)	3 800
*Climatiseur (40 000 Btu)	6 000
Chargeur de batterie (20 A)	500
Ponceuse à bande (3 po.)	1 000
Scie à chaîne	1 200
Scie circulaire (6,5 po.)	800 à 1 000
*Sèche-linge (électrique)	5 750
*Sèche-linge (à gaz)	700
*Machine à laver	1 150
Cafetière	1 750
*Compresseur (1 HP)	2 000
*Compresseur (0,75 HP)	1 800
*Compresseur (0,5 HP)	1 400
Fer à friser	700
*Déshumidificateur	650
Ponceuse à disque (9 po.)	1 200
Coupe-bordures	500
Couverture chauffante électrique	400
Cloueuse électrique	1 200
Cuisinière électrique (par élément)	1 500
Poêle électrique	1 250
*Freezer	700
*Ventilateur de chaudière (0,6 HP)	875
*Ouvre-porte de garage	500 à 750
Sèche-cheveux	1 200
Perceuse à main	250 à 1 100
Taille-haie	450
Clé à chocs	500
Fer	1 200
*Pompe à jet	800
Tondeuse à gazon	1 200
Ampoule	100
Four à micro-ondes	700 à 1 000
*Refrigérateur de lait	1 100
Brûleur à mazout de chaudière	300
Radiateur à mazout (140 000 Btu)	400
Radiateur à mazout (85 000 Btu)	225
Radiateur à mazout (30 000 Btu)	150
*Pistolet à peinture, sans air (0,3 HP)	600
Pistolet à peinture, sans air (portable)	150
Radio	50 à 200
*Réfrigérateur	700
Cocotte mijoteuse	200
*Pompe immergée (1,5 HP)	2 800
*Pompe immergée (1 HP)	2 000
*Pompe immergée (0,5 HP)	1 500
*Pompe de vidange	800 à 1 050

* Laisser trois (3) fois les watts indiqués pour le démarrage de ces dispositifs.

REMARQUE :

Lors du démarrage d'un moteur électrique, la DEL de « SURCHARGE » peut s'allumer pendant cinq (5) secondes maximum (c'est normal). Si elle reste allumée, un problème est survenu. Retirer toutes les charges et arrêter le générateur pour réinitialiser l'alarme. Redémarrer le générateur. Si la DEL de « SURCHARGE » reste allumée, contacter un dépositaire Generac pour obtenir de l'aide.

2.4 UTILISATION DE L'INTERRUPTEUR FLEXPPOWER™

Lorsque les accessoires connectés au générateur vont être utilisés par intermittence (une perceuse à main, par ex.), l'interrupteur FlexPower™ peut être placé sur la position « MARCHE » (I). Cela va réduire la vitesse du moteur du générateur lorsque les charges ne sont pas appliquées, ce qui permet d'économiser le carburant, de réduire l'usure du moteur et de prolonger le temps de fonctionnement.

2.5 SYSTÈME ARRÊT

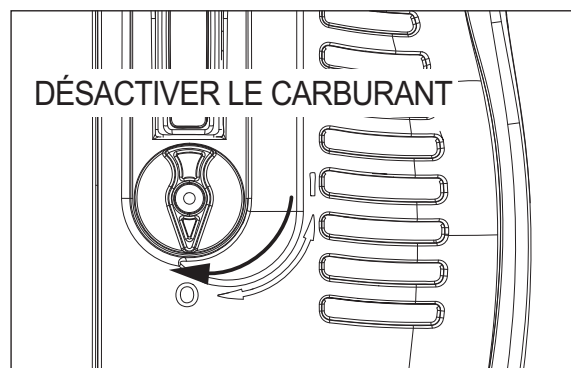
Lorsque le générateur n'est plus nécessaire, il peut être arrêté.

1. Éteindre tous les dispositifs connectés au générateur. Débrancher tous les cordons des doubles prises 120 VCA ou de la prise 12 VCC.
2. Mettre la vanne de combustible sur la position « ARRÊT » (O) (Schéma 7). Un interrupteur situé derrière la vanne de combustible relie le système d'allumage à la terre, en arrêtant le moteur et le ravitaillement en carburant est arrêté.
3. Fermer l'évent du bouchon du réservoir d'essence.
4. Laisser refroidir le générateur avant de le déplacer ou de l'entreposer.

▲ ATTENTION!

! Laisser toujours refroidir le générateur avant de l'entreposer. L'arrière de l'unité présentera une température élevée pendant un certain temps après l'arrêt.

Schéma 7 - Arrêt du carburant



2.6 SYSTÈME D'ARRÊT DE BAS NIVEAU D'HUILE

Ce générateur est équipé d'un système d'arrêt de bas niveau d'huile. Si le niveau d'huile du carter du moteur descend sous un niveau prédéterminé, le moteur s'arrêtera automatiquement et la DEL de « BAS NIVEAU D'HUILE » s'allumera.

Retirer le couvercle de service gauche et vérifier le niveau d'huile du moteur. Ajouter ou vidanger de l'huile selon les besoins ; consulter la section « AJOUT DE L'HUILE DE MOTEUR ».

2.7 RAVITAILLEMENT DU GÉNÉRATEUR

Procéder avec précaution lors du ravitaillement du générateur. Remplir uniquement le réservoir d'essence lorsque le générateur est entièrement refroidi. Utiliser de l'essence sans plomb fraîche avec un indice d'octane recherche (ION) minimum de 87.

REMARQUE :

Ne pas utiliser d'essence contenant plus de 10 % d'éthanol. NE JAMAIS remplir le réservoir d'essence avec de l'E85 ou un mélange d'huile et d'essence destiné aux moteurs à deux temps.

⚠ DANGER!

Ne pas allumer une cigarette ni fumer lors du remplissage du réservoir d'essence.

⚠ L'essence est extrêmement INFLAMMABLE et ses vapeurs sont EXPLOSIVES. Ne pas produire de fumée, flammes nues, étincelles ou chaleur à proximité de l'endroit où l'essence est manipulée.

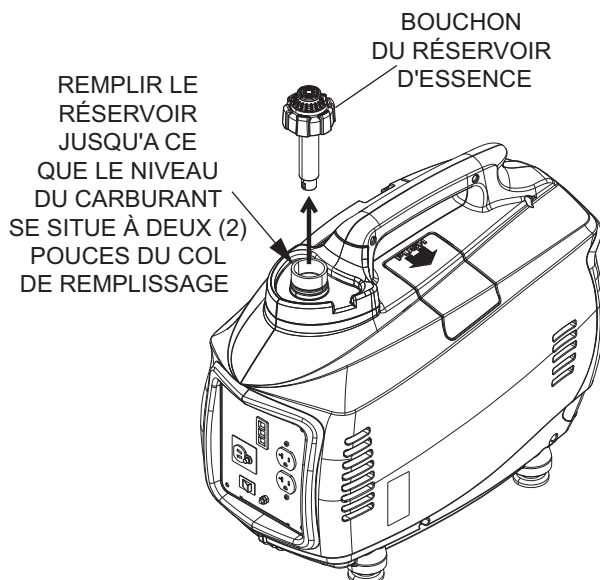
⚠ Ne jamais remplir le réservoir d'essence à l'intérieur. Ne jamais remplir le réservoir d'essence lorsque le moteur fonctionne ou est chaud. Éviter de renverser de l'essence sur un moteur chaud. Laisser le moteur complètement refroidir avant d'ajouter du carburant.

⚠ Ne pas trop remplir le réservoir d'essence. Toujours laisser de la place pour l'expansion du carburant. En cas de suremplissage du réservoir, le carburant peut déborder sur un moteur chaud et entraîner un INCENDIE ou une EXPLOSION. Nettoyer immédiatement toute éclaboussure de carburant !

2.7.1 REMPLIR LE RÉSERVOIR D'ESSENCE

1. Retirer le bouchon du réservoir d'essence.
2. Ajouter l'essence doucement, en vous arrêtant environ deux (2) pouces sous le haut du col de remplissage.

Schéma 8 - Bouchon du réservoir d'essence



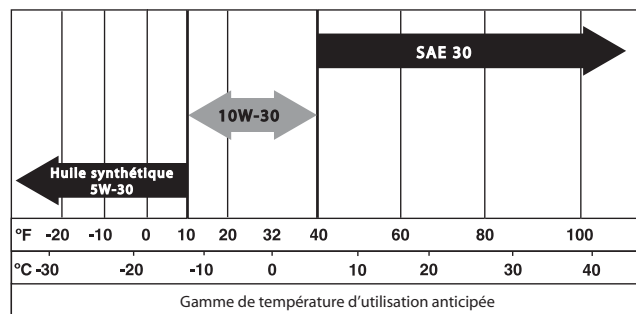
3. Remettre le bouchon du réservoir d'essence. S'assurer que la vanne du bouchon du réservoir se trouve sur la position « Arrêt ».
4. Si le générateur va être mis en marche, consultez la section « DÉMARRAGE DU GÉNÉRATEUR » pour des indications supplémentaires sur l'amorçage du système de carburant.

2.8 AJOUT DE L'HUILE DE MOTEUR

Toute huile doit respecter la catégorie de service minimale SJ, SL ou mieux de l'American Petroleum Institute (API) (Institut américain du pétrole). Ne pas utiliser d'additifs secondaires.

Sélectionner le degré de viscosité d'huile selon la température d'exploitation prévue.

- Au-dessus de 40 °F, utiliser le SAE 30
- En dessous de 40 °F et jusqu'à 10 °F, utiliser le 10W-30
- En dessous de 10 °F, utiliser le 5W-30 synthétique



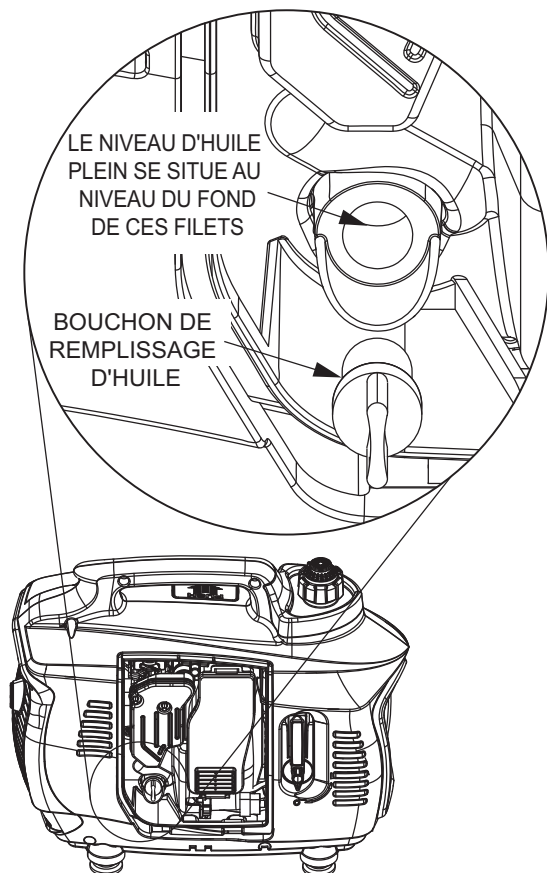
2.8.1 AJOUTER DE L'HUILE DE MOTEUR DANS LE CARTER

1. Installer l'unité sur une surface ferme et plane (ne pas dépasser 15 ° dans aucune direction).
2. Retirer le couvercle de service gauche.
3. Retirer le bouchon de remplissage d'huile situé au fond du carter du moteur.
4. Ajouter doucement l'huile de moteur recommandée, en observant de fréquents arrêts afin de vérifier le niveau. Le niveau complet est la base des filets du col de remplissage. NE PAS TROP REMPLIR !
5. Replacer le bouchon de remplissage d'huile et le revisser.
6. Toujours vérifier le niveau d'huile avant de démarrer le moteur du générateur.

⚠ ATTENTION!

⚠ NE PAS verser trop d'huile dans le carter du moteur. Cela aura pour conséquence une haute pression d'huile qui provoquera l'usure prématurée et des dommages au moteur.

Schéma 9 - Remplissage d'huile



3.1 MAINTENANCE DU GÉNÉRATEUR

Un entretien correct garantira le fonctionnement maximum de votre générateur. La maintenance du générateur consiste à garder l'unité propre et sèche. Faire fonctionner et stocker l'unité dans un environnement sec et propre où il ne sera pas exposé à trop de poussières, de saletés, d'humidité ou de vapeurs corrosives.

Les fentes de refroidissement du générateur ne doivent pas être obstruées par la neige, les feuilles ou tout autre corps étranger.

Vérifier régulièrement que le générateur est propre et nettoyer la poussière, les saletés, l'huile, l'eau ou les autres corps étrangers qui sont visibles sur sa surface extérieure.

REMARQUE :

Ne jamais insérer d'objet ou d'outil dans les fentes de refroidissement, même si le moteur ne fonctionne pas.

REMARQUE :

NE PAS utiliser un tuyau d'arrosage pour nettoyer le générateur. L'eau peut entrer dans le système de carburant du moteur et causer des problèmes. En outre, si l'eau entre dans le générateur par les fentes de refroidissement, de l'eau restera dans les vides et les crevasses du bobinage d'isolement du rotor et du stator. L'accumulation d'eau et de saletés sur les bobinages internes du générateur diminuera potentiellement la résistance d'isolement de ces bobinages.

3.2 PROGRAMME DE MAINTENANCE DU GÉNÉRATEUR

Respecter le programme d'entretien recommandé ; pour commander des pièces de rechange, appeler le 1-888-436-3722.

	Lors de chaque utilisation	Toutes les 100 heures	Tous les 6 mois	Tous les ans
Niveau de carburant	X			
Niveau d'huile	X			
Vérifier le filtre à air	X			
*Changer l'huile du moteur		X		
**Nettoyer le filtre à air		X		
Vérifier la bougie d'allumage			X	
Vérifier le pot d'échappement			X	
Remplacer la bougie d'allumage				X
Nettoyez le pare-étincelles***				X

* Changer l'huile initiale après les cinq (5) premières heures de fonctionnement
 ** Nettoyer le filtre à air plus souvent s'il fonctionne en présence de sable ou de poussière. Remplacer si nécessaire.
 *** Inspectez et nettoyez toutes les 50 heures de fonctionnement.

3.3 NETTOYAGE DU GÉNÉRATEUR

1. Utiliser un chiffon humide pour le nettoyage des surfaces externes.
2. Il est possible d'utiliser une brosse douce en poils pour décoller les agglutinations de saletés, d'huile, etc.
3. Un aspirateur pourra être utilisé pour récupérer les saletés et les débris.
4. Un air projeté avec une faible pression (inférieur à 25 livres par pouce carré) pourra être utilisé pour souffler la saleté. Inspecter les fentes de refroidissement et les orifices du générateur. Ces orifices doivent être propres et non obstrués.
5. Inspecter les tuyaux de ventilation situés sur le côté gauche du générateur. S'assurer que les tuyaux dépassent des fentes situées sous la porte et que les extrémités sont ouvertes et dépourvues de débris.

3.4 MAINTENANCE DU MOTEUR

⚠ ATTENTION!

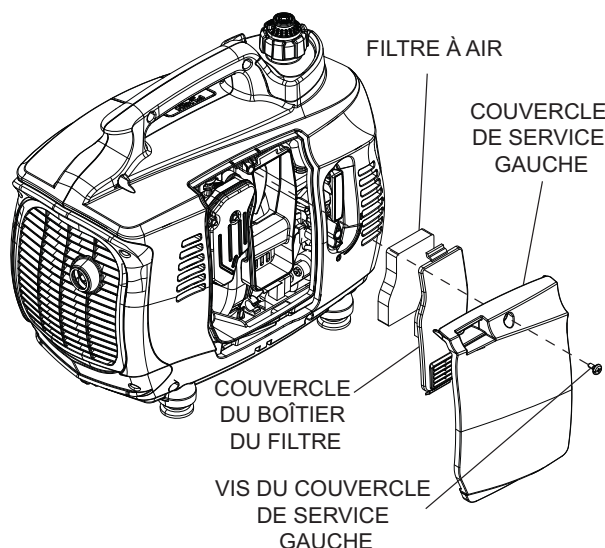
! Fonctionne uniquement sur un générateur qui est entièrement refroidi.

Inspecter le niveau d'huile et l'état du filtre à air chaque fois que vous allez utiliser le générateur. Pour vérifier le filtre à air et le niveau d'huile, le couvercle de service gauche doit être retiré ; utiliser un tournevis pour dévisser les vis maintenant le couvercle et le retirer.

Le filtre à air se trouve derrière le couvercle de la boîte à vent (Schéma 10). Pousser la fixation située à l'arrière de la boîte à vent vers le haut pour libérer le couvercle. Pour entretenir le filtre à air :

1. Retirer le filtre à air. Tapoter sur l'élément pour faire tomber toutes les grosses particules.
2. Laver l'élément dans une eau savonneuse. Le presser dans un chiffon propre pour le sécher (NE PAS LE TORDRE).
3. Sécher l'élément filtrant dans une huile de moteur propre. Essorer le filtre pour éliminer l'excès d'huile, en laissant une couche légère.
4. Nettoyer le boîtier et le couvercle du filtre à air avant de remettre en place l'élément filtrant.
5. Pour commander un nouveau filtre à air, vous aurez besoin 0H56810216 Numéro de la pièce.

Schéma 10 - Filtre à air



3.5 CHANGEMENT DE L'HUILE DU MOTEUR

⚠ ATTENTION!

! De l'huile chaude peut entraîner des brûlures. Laisser le moteur refroidir entièrement avant de vidanger l'huile. Éviter un contact prolongé ou répété de la peau avec de l'huile usagée. Laver minutieusement les zones exposées avec du savon.

Changer l'huile du moteur après les cinq (5) premières heures de fonctionnement. Par la suite, changer l'huile du moteur toutes les 100 heures. Pour changer l'huile du moteur :

⚠ ATTENTION!

! Changer l'huile lorsque le niveau du réservoir d'essence est bas ou que le réservoir est presque vide. Incliner le générateur lorsque le réservoir d'essence est plein peut provoquer une fuite d'essence.

1. Placer le générateur sur un entonnoir de vidange et retirer le bouchon de vidange. Incliner le générateur sur le côté pour vidanger l'huile usagée du carter.

REMARQUE :

Pour faciliter la vidange, un tuyau en vinyle (PVC) de 6 pouces au diamètre intérieur de 1,25 pouce (32 mm) peut être placé sur le bec de vidange.

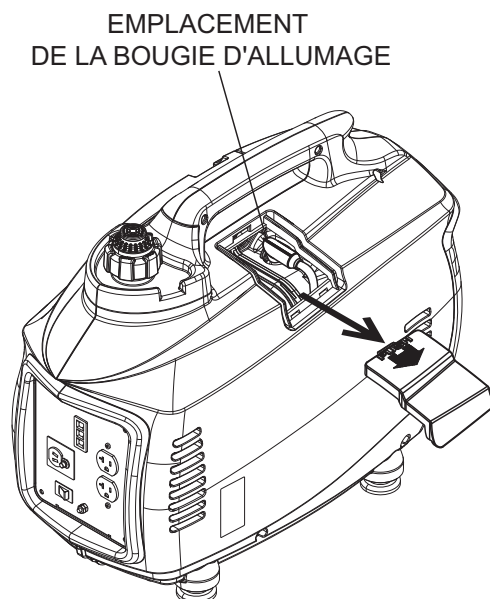
2. Redresser le générateur une fois la vidange d'huile terminée. Remplacer l'huile de moteur par le degré approprié tel qu'énoncé dans la Section « AJOUT DE L'HUILE DE MOTEUR », puis replacer le bouchon de vidange.

3.6 CHANGEMENT DE LA BOUGIE D'ALLUMAGE

Remplacer la bougie d'allumage chaque année, indépendamment du nombre d'heures de fonctionnement du générateur. Utiliser une bougie NGK BPR7HS qui a été écartée de 0,030 pouces (0,76 mm). Pour remplacer la bougie :

1. Retirer le couvercle de la bougie d'allumage situé sur le côté supérieur droit du générateur, juste en-dessous de la poignée (Schéma 11).
2. Tirer le câble de la bougie d'allumage avec précaution. Utiliser une clé à pipe pour retirer la bougie d'allumage.
3. Installer la nouvelle bougie d'allumage dans la culasse. Serrer la bougie d'allumage à 15 pieds/livre.
4. Remplacer le câble de bougie, en s'assurant qu'il est entièrement installé.
5. Replacer le couvercle de la bougie d'allumage.

Schéma 11 - Remplacement de la bougie d'allumage



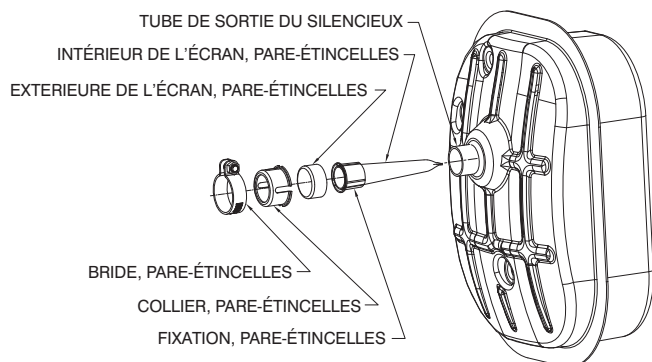
3.7 NETTOYEZ L'ÉCRAN DU PARE-ÉTINCELLES

Le pot d'échappement du moteur comporte un écran de pare-étincelles. Inspectez et nettoyez l'écran toutes les 50 heures de fonctionnement ou une fois par année, selon la première éventualité.

Nettoyez et inspectez le pare-étincelles comme suit :

- Retirez le dispositif de retenue de l'écran en retirant la bride de retenue.
- Faites sortir du tube de sortie du pot d'échappement l'écran du pare-étincelles en faisant glisser ce dernier.
- Inspectez l'écran et remplacez-le s'il est déchiré, perforé or endommagé. N'utilisez JAMAIS un écran défectueux. Si l'écran n'est pas endommagé, nettoyez-le avec un solvant commercial.
- Remettez l'écran et le dispositif de retenue en place et fixez-le à l'aide de la bride de retenue.

Schéma 12 - Écran du pare-étincelles



3.8 TRANSPORT ET STOCKAGE

Transporter ou stocker le générateur uniquement s'il est entièrement refroidi. S'assurer que la vanne de combustible et que l'évent du bouchon du réservoir d'essence se trouvent sur la position « Arrêt » (0).

Pendant le stockage à long terme, il est important d'empêcher la formation de dépôts de gomme dans les pièces essentielles du circuit de carburant, telles que le carburateur, le tuyau pour combustible ou le réservoir. L'expérience montre également que les carburants à base d'alcool (appelés gazohol, éthanol ou méthanol) peuvent absorber l'humidité, ce qui entraîne une séparation et la formation d'acides ; ces gaz acides peuvent endommager le système de carburant d'un moteur pendant le stockage.

Pour éviter les problèmes de moteur, il est recommandé d'utiliser un stabilisateur d'essence commercial avant le stockage. Respectez les instructions du fabricant lors de l'ajout du stabilisateur.

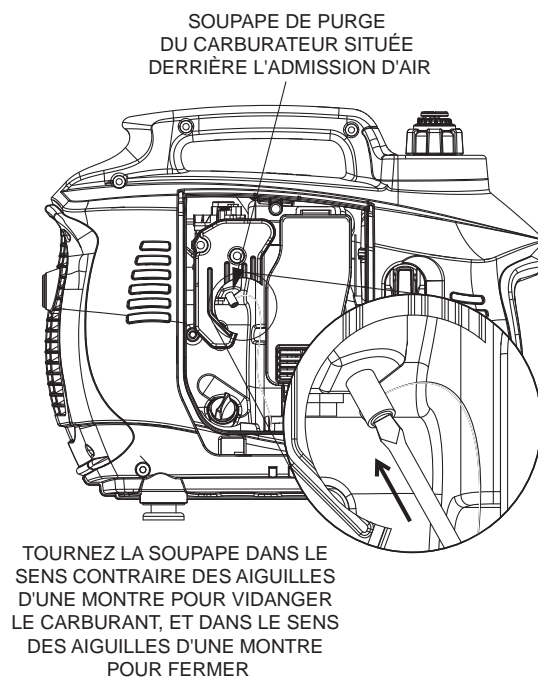
Si le générateur va être stocké pendant plus de six (6) mois, il doit être préparé de la manière suivante :

1. Vidanger le réservoir d'essence de tout le carburant qu'il contient.
2. Démarrer et faites fonctionner le moteur jusqu'à ce qu'il s'arrête par manque de carburant ou ouvrir la soupape de la cuve du carburateur (Schéma 13) et laisser l'essence se vidanger dans un récipient. Mettre au rebut de manière appropriée. Veiller à fermer la soupape une fois l'essence vidangée.

3. Après le moteur refroidit, vidange d'huile à partir du carter. Recharge avec le grade recommandé.
 4. Retirer les bougie d'allumage et verser environ 0,5 onces (15 ml) d'huile pour moteur dans les cylindre. Couvrir l'orifice de la bougie d'allumage avec un chiffon. Tirez sur la ficelle de démarrage plusieurs fois pour recouvrir les parois du cylindre d'huile de moteur.
 5. Remettre et serrer la bougie d'allumage.
 6. Nettoyer les surfaces externes du générateur. Vérifier que les fentes de refroidissement et les orifices du générateur sont ouverts et non obstrués.
 7. Stocker l'unité dans un endroit propre et sec.
- Ne pas stocker l'essence d'une saison sur l'autre.

Si cela est possible, stocker l'unité à l'intérieur et la recouvrir afin de la protéger de la saleté et de la poussière.

Schéma 13 - Soupape de purge du carburateur



4.1 GUIDE DE DÉPANNAGE

PROBLÈME	CAUSE	ACTION CORRECTIVE
Le moteur ne démarre pas.	<ol style="list-style-type: none"> 1. Pas d'essence dans le réservoir. 2. Vanne de combustible sur la position « Arrêt ». 3. Bougie d'allumage défectueuse. 4. Interrupteur d'arrêt du moteur coincé ou défectueux. 	<ol style="list-style-type: none"> 1. Ajouter de l'essence dans le réservoir. 2. Mettre la vanne de combustible sur la position « Marche ». 3. Remplacer la bougie d'allumage. 4. Remplacer l'interrupteur de démarrage du moteur.
Le moteur démarre puis s'arrête.	<ol style="list-style-type: none"> 1. Niveau de carburant faible. 2. Événement du réservoir d'essence fermé. 3. Niveau d'huile du moteur incorrect. 4. Carburant contaminé. 5. Interrupteur de bas niveau d'huile défectueux. 6. Bobine d'allumage défectueuse. 	<ol style="list-style-type: none"> 1. Ajouter de l'essence dans le réservoir. 2. Ouvrir l'événement du réservoir d'essence. 3. Vérifier le niveau d'huile du moteur, ajouter ou vidanger si nécessaire. 4. Remplacer le filtre à carburant 5. Remplacer le disjoncteur de bas niveau d'huile. 6. Remplacer la bobine d'allumage.
Le moteur démarre puis fonctionne de manière irrégulière.*	<ol style="list-style-type: none"> 1. L'étrangleur est coincé ou reste actionné. 2. Filtre à air sale ou engorgé. 3. Bougie d'allumage sale ou défectueuse. 4. Interrupteur FlexPower défectueux. 	<ol style="list-style-type: none"> 1. Mettre l'étrangleur sur la position « Arrêt ». 2. Nettoyer ou remplacer l'élément du filtre à air. 3. Remplacer la bougie d'allumage. 4. Remplacer l'interrupteur FlexPower.
Absence de sortie CA.	<ol style="list-style-type: none"> 1. Le générateur est en surcharge (la DEL DE SURCHARGE est allumée). 2. La tension CA est faible (la DEL DE SURCHARGE est allumée). 3. Le module inverseur est en surchauffe (la DEL DE SURCHARGE est allumée). 4. Court-circuit en charge (la DEL DE SURCHARGE est allumée). 5. Ensemble de l'inverseur défectueux. 	<ol style="list-style-type: none"> 1. Arrêter le générateur pour réinitialiser le module. Réduire les charges et redémarrer le générateur. 2. Vérifier que l'événement est ouvert et que l'étrangleur est sur la position « ARRÊT ». 3. Vérifier que la porte de service est sur la position « MARCHE ». Laisser refroidir pendant 15 minutes et redémarrer le générateur. 4. Vérifier l'état de tous les cordons prolongateurs et de toutes les charges alimentées. 5. Remplacer l'ensemble de l'inverseur.
Fuites d'essence depuis les tuyaux de vidange.	<ol style="list-style-type: none"> 1. Système de carburant suramorcé (noyé). 2. La vidange du carburateur dans la cuve n'est pas terminée. 	<ol style="list-style-type: none"> 1. Mettre l'événement du bouchon sur la position « MARCHE » et laisser le générateur se reposer pendant 15 minutes avant de redémarrer. 2. Tourner la soupape dans le sens des aiguilles d'une montre pour fermer.

* La vitesse du moteur augmente et diminue — C'est normal au fur et à mesure que le générateur démarre et que les charges varient.

Warranty

GENERAC POWER SYSTEMS “TWO YEAR” LIMITED WARRANTY FOR IX SERIES PORTABLE GENERATORS

For a period of two years from the date of original sale, Generac Power Systems, Inc. (Generac) warrants its iX Series generators will be free from defects in materials and workmanship for the items and period set forth below. Generac will, at its discretion, repair or replace any part that, upon examination, inspection and testing by Generac or a Generac Authorized Warranty Service Dealer, is found to be defective. Any equipment that the purchaser/owner claims to be defective must be returned to and examined by the nearest Generac Authorized Warranty Service Dealer. All transportation costs under the warranty, including return to the factory, are to be borne and prepaid by the purchaser/owner. This warranty applies only to Generac iX Series portable generators and is not transferable from original purchaser. Save your proof-of-purchase receipt. If you do not provide proof of the initial purchase date, the manufacturer's shipping date of the product will be used to determine the warranty period.

WARRANTY SCHEDULE

Consumer applications are warranted for two (2) years. Commercial and Rental applications are warranted for six (6) months.

CONSUMER APPLICATION

YEAR ONE - Limited Comprehensive coverage on Labor and Part(s) listed (proof of purchase and maintenance is required):

- Engine- All Components
- Alternator- All Components

YEAR TWO - Limited Comprehensive coverage on Part(s) listed (proof of purchase and maintenance is required):

- Engine- All Components
- Alternator- All Components

COMMERCIAL/RENTAL APPLICATION

FIRST SIX MONTHS – Limited Comprehensive coverage on Labor and Part(s) listed (proof of purchase and maintenance is required):

- Engine- All Components
- Alternator- All Components

NOTE: For the purpose of this warranty “consumer use” means personal residential household or recreational use by original purchaser. This warranty does not apply to units used for Prime Power in place of utility where utility power service is present or where utility power service does not normally exist. Once a generator has experienced commercial or rental use, it shall thereafter be considered a non-consumer use generator for the purpose of this warranty.

All warranty expense allowances are subject to the conditions defined in Generac's Service Policy Manual.

THIS WARRANTY SHALL NOT APPLY TO THE FOLLOWING:

- Generac portable generators that utilize non-Generac replacement parts.
- Costs of normal maintenance and adjustments.
- Failures caused by any contaminated fuels, oils or lack of proper oil levels.
- Repairs or diagnostics performed by individuals other than Guardian/Generac authorized dealers not authorized in writing by Generac Power Systems.
- Failures due, but not limited, to normal wear and tear, accident, misuse, abuse, negligence or improper use. As with all mechanical devices, the Generac engines need periodic part(s) service and replacement to perform as designed. This warranty will not cover repair when normal use has exhausted the life of a part(s) or engine.
- Failures caused by any act of God and other force majeure events beyond the manufacturer's control.
- Damage related to rodent and/or insect infestation.
- Products that are modified or altered in a manner not authorized by Generac in writing.
- Any incidental, consequential or indirect damages caused by defects in materials or workmanship, or any delay in repair or replacement of the defective part(s).
- Failure due to misapplication.
- Telephone, cellular phone, facsimile, internet access or other communication expenses.
- Living or travel expenses of person(s) performing service, except as specifically included within the terms of a specific unit warranty period.
- Expenses related to “customer instruction” or troubleshooting where no manufacturing defect is found.
- Rental equipment used while warranty repairs are being performed.
- Overnight freight or special shipping costs for replacement part(s).
- Overtime, holiday or emergency labor.
- Starting batteries, fuses, light bulbs and engine fluids.

THIS WARRANTY IS IN PLACE OF ALL OTHER WARRANTIES, EXPRESSED OR IMPLIED, SPECIFICALLY, GENERAC POWER SYSTEMS MAKES NO OTHER WARRANTIES AS TO THE MERCHANTABILITY OR FITNESS FOR A PARTICULAR PURPOSE. Any implied warranties which are allowed by law, shall be limited in duration to the terms of the express warranty provided herein. Some states do not allow limitations on how long an implied warranty lasts, so the above limitation may not apply to purchaser/owner.

Warranty

GENERAC POWER SYSTEMS ONLY LIABILITY SHALL BE THE REPAIR OR REPLACEMENT OF PART(S) AS STATED ABOVE. IN NO EVENT SHALL GENERAC POWER SYSTEMS BE LIABLE FOR ANY INCIDENTAL, OR CONSEQUENTIAL DAMAGES, EVEN IF SUCH DAMAGES ARE A DIRECT RESULT OF GENERAC POWER SYSTEMS, INC. NEGLIGENCE. Some states do not allow the exclusion or limitation of incidental or consequential damages, so the above limitations may not apply to purchaser/owner. Purchaser/owner agrees to make no claims against Generac Power Systems, Inc. based on negligence. This warranty gives purchaser/owner specific legal rights. Purchaser/owner also may have other rights that vary from state to state.

FOR AUSTRALIA ONLY: Our goods come with guarantees that cannot be excluded under the Australian Consumer Law. You are entitled to a replacement or refund for a major failure and for compensation for any other reasonably foreseeable loss or damage. You are also entitled to have the goods repaired or replaced if the goods fail to be of acceptable quality and the failure does not amount to a major failure. For Service or other product inquiries in Australia, please contact Allpower by phone at 1800-333-428 or visit Allpower's website at www.allpower.com.au.

FOR NEW ZEALAND ONLY: Nothing in this warranty statement excludes, restricts or modifies any condition, warranty right or remedy which pursuant to the New Zealand Legislation (Commonwealth or State) including the Fair Trading Practices Act of 1986 or the Consumer Guarantees Act 1993 ("CGA") applies to this limited warranty and may not be so excluded, restricted or modified. Nothing in this statement is intended to have the effect of contracting out of the provisions of the CGA, except to the extent permitted by that Act, and these terms are to be modified to the extent necessary to give effect to that intention. If you acquire goods from Generac Power Systems or any of its authorized resellers and distributors for the purposes of a business, then pursuant to section 43(2) of the CGA, it is agreed that the provisions of the CGA do not apply. For Service or other product inquiries in New Zealand, please contact Allpower by phone at 09-269-1160 or visit Allpower's website at www.allpower.com.nz.

GENERAC POWER SYSTEMS, INC.

P.O. BOX 8 • Waukesha, WI 53187

Ph: (888) GENERAC (436-3722) • Fax: (262) 544-4851

To locate the nearest Authorized Dealer visit our website www.generac.com

Garantía

GARANTÍA LIMITADA DE “DOS AÑOS” DE SISTEMAS DE POTENCIA GENERAC PARA GENERADORES PORTÁTILES SERIE IX

Por un periodo de tres años desde la fecha de la venta original, Generac Power Systems, Inc. (Generac) garantiza sus generadores serie iX como libres de defectos en materiales y mano de obra por los ítems y periodos indicados abajo. Generac, a su discreción, reparará o reemplazará cualquier parte que, luego de un examen, inspección y pruebas realizadas por un concesionario de servicio de garantía autorizado de Generac, se encuentre que está defectuoso. Cualquier equipo que el comprador/propietario reclame como defectuoso debe ser regresado a y examinado por el concesionario de servicio de garantía autorizado por Generac más cercano. Todos los costos de transporte bajo la garantía, incluyendo el retorno a la fábrica, serán por cuenta y prepagados por el propietario/comprador. Esta garantía se aplica sólo a los generadores portátiles serie iX de Generac y no es transferible del propietario original. Guarde su comprobante de compra. Si usted no proporciona una prueba de la fecha de la compra inicial, se usará la fecha de embarque del producto del fabricante para determinar el periodo de garantía.

PROGRAMACIÓN DE GARANTÍA

Las aplicaciones para consumidor están garantizadas por dos (2) años. Las aplicaciones comerciales y de alquiler están garantizadas por seis (6) meses.

APLICACIÓN PARA CONSUMIDOR

AÑO UNO – Cobertura amplia limitada en mano de obra y repuestos listados (se requiere comprobante de compra y mantenimiento):

- Motor- Todos los componentes
- Alternador- Todos los componentes

AÑO DOS – Cobertura amplia limitada en repuestos listados (se requiere comprobante de compra y mantenimiento):

- Motor- Todos los componentes
- Alternador- Todos los componentes

APLICACIÓN COMERCIAL / DE ALQUILER

SEIS MESES – 100% (cien por ciento) de cobertura en mano de obra y repuestos listados (se requiere comprobante de compra y mantenimiento):

- Motor- Todos los componentes
- Alternador- Todos los componentes

NOTA: Para el propósito de esta garantía “uso de consumidor” significa uso personal en casa residencial o recreacional por el comprador original. La garantía no aplica a unidades usadas para Fuente Primaria de Energía en lugar del servicio público donde el servicio público se encuentre presente o donde el servicio público de energía no exista normalmente. Una vez que el generador ha experimentado uso comercial o de alquiler, se le considerará en adelante un generador no para uso del consumidor para propósitos de esta garantía.

Toda prestación de gastos de garantía está sujeta a las condiciones definidas en las políticas de garantía de Generac, sus procedimientos y el manual de costos medios.

ESTA GARANTÍA NO SE APLICARÁ A LO SIGUIENTE:

- Generadores portátiles de Generac que utilizan repuestos que no son de Generac.
- Costos de mantenimiento normal y ajustes.
- Fallas causadas por combustibles o aceites contaminados, o la falta de niveles apropiados.
- Reparaciones o diagnósticos realizados por individuos diferentes a los concesionarios autorizados por Guardian/Generac que no estén autorizados por escrito por Generac Power Systems.
- Fallas debido a, pero no limitándose a, el uso y desgaste normal, accidente, mal uso, abuso, negligencia o uso inapropiado. Como todo dispositivo mecánico, los motores Generac necesitan servicio y repuestos periódicamente para funcionar como están diseñados. Esta garantía no cubre reparaciones cuando el uso normal ha agotado la vida útil de una parte o motor.
- Las fallas causadas por cualquier acto de Dios y otros eventos de fuerza mayor más allá del control del fabricante.
- El daño relacionado a roedores y/o plaga de insectos.
- Los productos que son modificados o alterados de manera no autorizada por Generac por escrito.
- Cualquier daño incidental, consecuencial o indirecto causado por defectos en los materiales y mano de obra, o cualquier retraso en reparar o reemplazar las partes defectuosas.
- Falla debido a una mala aplicación.
- Gastos de teléfono, teléfono celular, fax, acceso a internet u otros gastos de comunicación.
- Costo de vida o gastos de viaje de las personas que realizan el servicio, excepto tal como específicamente se incluya dentro de los términos del periodo de garantía de una unidad específica.
- Gastos relacionados a “instrucciones del cliente” o detección de problemas donde no se encuentre defecto de fábrica.
- Equipo de alquiler usado mientras se realiza las reparaciones de garantía.
- Flete de un día para otro o costos especiales de embarque para los repuestos.
- Sobretiempos, vacaciones o trabajo de emergencia.
- Baterías de arranque, fusibles, bombillos de luz y fluidos de motor.

Garantía

ESTA GARANTÍA REEMPLAZA CUALQUIER OTRA GARANTÍA, EXPRESA O IMPLÍCITA, ESPECÍFICAMENTE, GENERAC POWER SYSTEMS NO OTORGA OTRAS GARANTÍAS COMO DE MERCANTIBILIDAD O ADECUACIÓN PARA UN PROPÓSITO PARTICULAR. Cualquier garantía implícita que sea permitida por ley, estará limitada en duración a los términos de la garantía expresa dispuesta aquí. Algunos estados no permiten limitaciones en cuánto dura una garantía implícita, de modo que la limitación expresada arriba puede no aplicarse al comprador/propietario.

LA ÚNICA RESPONSABILIDAD DE GENERAC POWER SYSTEMS SERÁ LA REPARACIÓN O REEMPLAZO DE LAS PARTES TAL COMO SE ESPECIFICA ARRIBA. EN NINGÚN CASO GENERAC POWER SYSTEMS SERÁ RESPONSABLE POR CUALQUIER DAÑO INCIDENTAL O CONSECUENCIAL, AÚN SI TALES DAÑOS SEAN UN RESULTADO DIRECTO DE UNA NEGLIGENCIA DE GENERAC POWER SYSTEMS. Algunos estados no permiten la exclusión o limitación de daños incidentales o consecuenciales, así que las limitaciones indicadas arriba pueden no aplicarse al comprador/propietario. El comprador/propietario está de acuerdo en no hacer reclamos contra Generac Power Systems basados en negligencia. Esta garantía le da al comprador/propietario derechos legales específicos. El comprador/propietario también puede tener otros derechos que varían de estado a estado.

SOLO PARA AUSTRALIA: Nuestros productos se entregan con garantías que no pueden ser estar sujetas a exclusiones conforme a la Australian Consumer Law (Ley del consumidor de Australia). Usted tiene derecho a una sustitución o un reembolso por una falla mayor y a compensación por cualquier otra pérdida o daño razonable previsible. Usted también tiene derecho a que los productos sean reparados o sustituidos si los productos no son de calidad aceptable y la falla no llega a ser una falla mayor. Para consultas sobre servicio u otros productos en Australia, póngase en contacto con Allpower por teléfono al 1800-333-428 o visite el sitio web de Allpower en www.allpower.com.au.

SOLO PARA NUEVA ZELANDA: Nada de esta declaración de garantía excluye, restringe o modifica ninguna condición, derecho de garantía o solución que, conforme a la legislación de Nueva Zelanda (Mancomunidad o Estado), incluso la Fair Trading Practices Act (Ley de prácticas leales de comercio) de 1986 o la Consumer Guarantees Act (Ley de garantías del consumidor, "CGA") de 1993, se aplique a esta garantía limitada, y esta no puede estar sujeta a exclusiones, restricciones o modificaciones. Nada de esta declaración tiene el propósito de tener el efecto de establecer un contrato fuera de las disposiciones de la CGA, excepto con el alcance permitido por dicha ley, y estos términos se deben modificar en la medida necesaria para dar efecto a dicha intención. Si adquiere productos de Generac Power Systems o alguno de sus revendedores y distribuidores autorizados con propósitos comerciales, conforme a la sección 43(2) de la CGA, se acuerda que no se aplican las disposiciones de la CGA. Para consultas sobre servicio u otros productos en Nueva Zelanda, póngase en contacto con Allpower por teléfono al 09-269-1160 o visite el sitio web de Allpower en www.allpower.com.nz.

GENERAC POWER SYSTEMS, INC.

P.O. BOX 8 • Waukesha, WI 53187

Tel: (888) GENERAC (436-3722) • Fax: (262) 544-4851

Para ubicar al concesionario autorizado más cercano visite nuestro sitio web: www.generac.com

Garantie

GARANTIE LIMITÉE DE « DEUX ANS » DES SYSTÈMES D'ALIMENTATION DE GENERAC POWER SYSTEMS POUR LES GÉNÉRATRICES PORTABLE DES SÉRIES IX

Pour une période de deux ans à partir de la date d'achat d'origine, Generac Power Systems, Inc. (Generac) garantie que ses génératrices iX Series seront exemptes de défaut de fabrication et de matériaux ne présenteront aucun défaut matériel ni de fabrication pour les éléments et la période mentionnée ci-après. Generac réparera ou remplacera, à sa seule discrétion, toute pièce jugée défectueuse après un examen, une inspection et un test réalisés par Generac ou un dépositaire de service de garantie agréé par Generac. Tout équipement déclaré défectueux par l'acquéreur / le propriétaire doit être retourné et examiné par le dépositaire de service de garantie agréé par Generac le plus proche. Tous les frais d'envoi à payer dans le cadre de la garantie, dont le retour à l'usine, seront supportés et payés à l'avance par l'acquéreur / le propriétaire. Cette garantie ne s'applique qu'aux génératrices portables Generac de Série iX et n'est pas transférable par l'acquéreur d'origine. Il est conseillé de conserver les preuves d'achat. Si vous ne fournissez pas de preuve de la date d'achat d'origine, la date d'envoi du produit par son fabricant servira à déterminer la période de garantie.

PROGRAMME DE GARANTIE

Les applications des clients sont garanties pendant deux (2) ans. Les applications commerciales et de location sont garanties pendant six (6) mois.

APPLICATION DES CLIENTS

PREMIÈRE ANNÉE - Couverture complète limitée pour la main d'œuvre et la/les pièce(s) listées (il est nécessaire de présenter une preuve d'achat et de maintenance) :

- Moteur - tous les composants
- Alternateur - tous les composants

DEUXIÈME ANNÉE - Couverture complète limitée pour la/les pièce(s) listées (il est nécessaire de présenter une preuve d'achat et de maintenance) :

- Moteur - tous les composants
- Alternateur - tous les composants

APPLICATION COMMERCIAL/DE LOCATION

SIX PREMIERS MOIS - Couverture complète limitée pour la main d'œuvre et la/les pièce(s) listées (il est nécessaire de présenter une preuve d'achat et de maintenance) :

- Moteur - tous les composants
- Alternateur - tous les composants

REMARQUE : aux fins de la présente garantie, « utilisation du consommateur » désigne une utilisation ménagère personnelle ou récréative de la part de l'acquéreur d'origine. La présente garantie ne s'applique pas aux unités utilisées pour de l'énergie primaire au lieu du réseau lorsque le réseau électrique principal est présent ou n'existe normalement pas. Une fois que la génératrice a été utilisée de manière commerciale ou locative, elle sera considérée par la suite comme une génératrice à utilisation non personnelle dans le cadre de la présente garantie.

Toutes les indemnités de garantie sont soumises aux conditions définies dans le manuel des politiques, procédures et tarifs forfaitaires de garantie de Generac.

LA PRÉSENTE GARANTIE NE S'APPLIQUE PAS AUX ÉLÉMENTS SUIVANTS :

- Les génératrices de Generac qui utilisent des pièces de rechange qui ne sont pas de Generac.
- Les coûts de maintenance et des modifications normales.
- Les défaillances entraînées par de l'essence ou de l'huile contaminée, ou par l'utilisation de niveaux d'huile non appropriés.
- Les réparations ou diagnostics réalisés par des dépositaires non agréés par Guardian/Generac et non autorisés par écrit par Generac Power Systems.
- Les défaillances dues, sans s'y limiter, à l'usure normale, à des accidents, mauvaises utilisations, usages abusifs, négligence ou utilisation inadaptée. Comme pour tous les dispositifs mécaniques, les moteurs Generac nécessitent une réparation et un remplacement périodiques de leurs pièces pour fonctionner comme prévu. La présente garantie ne couvre pas les réparations lorsque le problème de la ou les pièce(s) ou du moteur découle d'une utilisation normale.
- Les défaillances causées par toute cause extérieure ou tout cas de force majeure indépendantes de la volonté du fabricant.
- Les dommages dus à des rongeurs et / ou insectes.
- Les produits modifiés ou altérés d'une façon n'ayant pas été autorisée par écrit par Generac.
- Les dommages accessoires, importants ou indirects causés par des défaillances matérielles ou de fabrication, ou par tout retard de réparation ou de remplacement de la ou des pièce(s) défectueuses.
- Les défaillances dues à une mauvaise application.
- Les frais de téléphone, de téléphone portable, de fax, d'accès à Internet ou d'autres moyens de communication.
- Les frais d'hébergement ou de transport de la ou des personne(s) réalisant l'entretien, sauf si cela est spécifiquement inclus dans les termes d'une période de garantie d'une unité spécifique.
- Les dépenses liées à « l'instruction du client » ou au dépannage lorsqu'aucun défaut n'est détecté.
- Les équipements loués utilisés pendant la réalisation des réparations dans le cadre de la garantie.
- Les frais de transport de nuit ou d'envoi spécial de la ou des pièce(s) de rechange.
- Les heures supplémentaires, le travail de jour férié ou en urgence de la main d'œuvre.
- Les batteries de démarrage, fusibles, ampoules et fluides du moteur.

Garantie

LA PRÉSENTE GARANTIE REMPLACE TOUTES LES AUTRES GARANTIES, IMPLICITES OU EXPLICITES. EN PARTICULIER, GENERAC POWER SYSTEMS N'ÉMET AUCUNE GARANTIE DE CONFORMITÉ OU D'USAGE POUR UN OBJECTIF PARTICULIER. Toute garantie tacite autorisée par la loi devra être limitée à la durée des conditions de la garantie expresse mentionnée ci-après. Certains états ne permettent pas de poser une limite à la durée de la garantie implicite, la limite susmentionnée ne s'applique donc pas à ces derniers.

GENERAC POWER SYSTEMS NE SERA RESPONSABLE QUE DE LA RÉPARATION OU DU REMPLACEMENT DE LA OU DES PIÈCES TEL QUE SUSMENTIONNÉ. EN AUCUN CAS GENERAC POWER SYSTEMS NE POURRA ÊTRE TENU RESPONSABLE DE TOUT DOMMAGE ACCESSOIRE OU IMPORTANT, MÊME SI CE DOMMAGE DÉCOULE DIRECTEMENT D'UNE NÉGLIGENCE DE GENERAC POWER SYSTEMS, INC. Certains états n'autorisent pas l'exclusion ou la limite de dommages circonstanciels ou conséquents, de sorte que les limites ci-dessus ne s'appliqueront pas pour l'acheteur/propriétaire. L'acquéreur/le propriétaire s'engage à ne faire aucune réclamation contre Generac Power Systems, Inc. pour négligence. La présente garantie vous confère des droits juridiques spécifiques. Votre état vous confère également d'autres droits.

POUR L'AUSTRALIE UNIQUEMENT : Nos produits sont fournis avec des garanties qui ne peuvent pas être exclues en vertu de la loi australienne sur la consommation (Australian Consumer Law). Vous avez le droit à un remplacement ou un remboursement pour une défaillance majeure et à une indemnisation pour toute autre perte ou dommage raisonnablement prévisible. Vous disposez également d'un droit à la réparation ou au remplacement si les produits ne sont pas d'une qualité acceptable et si cette défaillance n'est pas considérée comme majeure. Pour tout renseignement supplémentaire sur les produits ou sur le service en Australie, veuillez communiquer avec Allpower par téléphone au +61 1800-333-428 ou vous rendre sur le site Internet à cette adresse : www.allpower.com.au.

POUR LA NOUVELLE-ZÉLANDE UNIQUEMENT : Cette garantie n'exclut, ne restreint ni ne modifie aucune condition, aucun droit de garantie ou recours qui, conformément à la législation de Nouvelle-Zélande (Commonwealth ou État), y compris la loi sur la pratique commerciale loyale de 1986 (Fair Trading Practices Act) ou la loi sur la protection du consommateur de 1993 (CGA ou Consumer Guarantees Act), s'applique à cette garantie limitée et ne peut pas être exclue, restreinte ou modifiée. Cette garantie n'est en aucun cas destinée à contourner les dispositions du CGA, sauf dans la mesure permise par cette loi, et ces termes doivent être modifiés dans la mesure nécessaire pour donner effet à cette intention. Si vous faites l'acquisition d'un produit chez Generac Power Systems ou auprès des distributeurs et revendeurs autorisés à des fins commerciales, alors, conformément à la section 43(2) de la CGA, il est convenu que les dispositions du CGA ne s'appliquent pas. Pour tout renseignement supplémentaire sur les produits ou sur le service en Nouvelle-Zélande, veuillez communiquer avec Allpower par téléphone au +64 09-269-1160 ou vous rendre sur le site Internet à cette adresse : www.allpower.com.nz.

GENERAC POWER SYSTEMS, INC.

P.O. Box (boîte postale) 8 • Waukesha, WI 53187

Tél. : (888) GENERAC (436-3722) • Fax : (262) 544-4851

Pour localiser le dépositaire autorisé le plus proche, visitez notre site Web www.generac.com

Free Manuals Download Website

<http://myh66.com>

<http://usermanuals.us>

<http://www.somanuals.com>

<http://www.4manuals.cc>

<http://www.manual-lib.com>

<http://www.404manual.com>

<http://www.luxmanual.com>

<http://aubethermostatmanual.com>

Golf course search by state

<http://golfingnear.com>

Email search by domain

<http://emailbydomain.com>

Auto manuals search

<http://auto.somanuals.com>

TV manuals search

<http://tv.somanuals.com>