

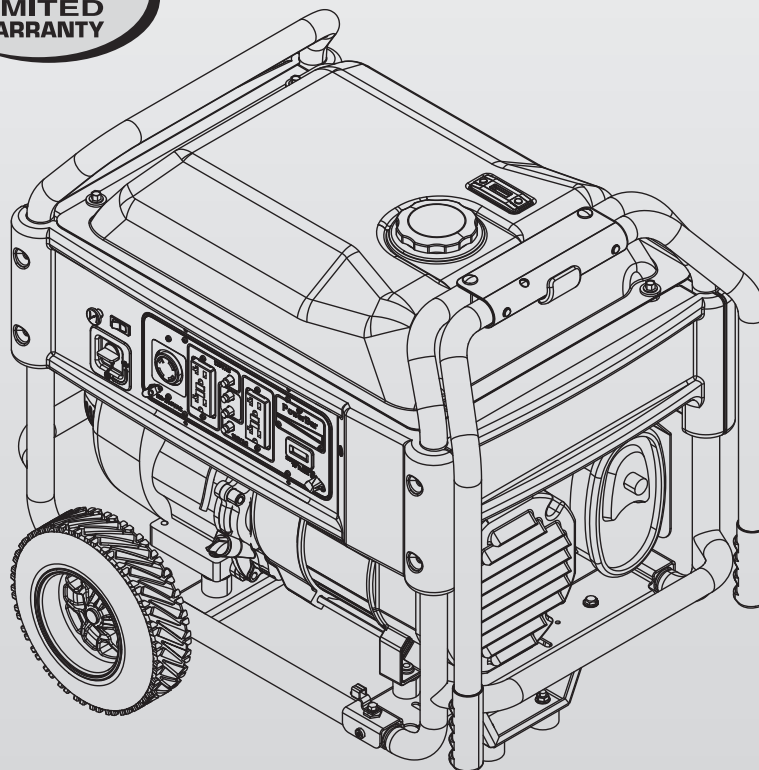


MODELS: 005796-0 (XG6500), 005797-0 (XG7000),  
005798-0 (XG7000E), 005800-0 (XG8000),  
005747-0 (XG8000E)

# Owner's Manual

## XG Series 6,500-8,000 Watt Portable Generator

**2 YEAR  
LIMITED  
WARRANTY**



[www.generac.com](http://www.generac.com) or 1-888-436-3722

# Table of Contents

<b>Introduction.....</b>	<b>1</b>	<b>Maintenance .....</b>	<b>11</b>
<b>Read this Manual Thoroughly.....</b>	<b>1</b>	3.1 Maintenance Schedule .....	11
<b>Safety Rules .....</b>	<b>1</b>	3.2 Product Specifications.....	11
Standards Index .....	3	3.2.1 Generator Specifications .....	11
		3.2.2 Engine Specifications.....	12
<b>General Information.....</b>	<b>4</b>	3.2.3 Emissions Information .....	12
1.1 Unpacking.....	4	3.3 General Recommendations.....	12
1.1.1 Accessory Box .....	4	3.3.1 Generator Maintenance .....	12
1.2 Assembly.....	4	3.3.2 To Clean the Generator.....	13
1.2.1 Assembling the Wheel Kit and Frame Foot.....	4	3.3.3 Engine Maintenance.....	13
		3.3.4 Checking Oil Level .....	13
		3.3.5 Changing the Oil and Oil Filter .....	13
		3.3.6 Replacing the Spark Plug .....	13
<b>Operation .....</b>	<b>5</b>	3.4 Service Air Cleaner.....	13
2.1 Know the Generator .....	5	3.5 Clean Spark Arrestor Screen.....	14
2.1.1 Battery Connection (XG7000E & XG8000E) .....	6	3.6 General .....	14
2.2 Hourmeter.....	6	3.7 Long Term Storage.....	14
2.3 Cord Sets and Connection Plugs .....	6	3.8 Other Storage Tips .....	15
2.3.1 120 VAC, 20 Amp, GFCI Duplex Receptacle .....	6		
2.3.2 120/240 VAC, 30 Amp Receptacle.....	6	<b>Battery Service .....</b>	<b>15</b>
2.4 How to Use the Generator .....	7	4.1 Battery Replacement (XG7000E & XG8000E) .....	15
2.4.1 System Ground.....	7		
2.4.2 Grounding the Generator .....	7	<b>Troubleshooting .....</b>	<b>16</b>
2.4.3 Neutral to Frame Grounding .....	8	5.1 Troubleshooting Guide.....	16
2.4.4 Connecting Electrical Loads .....	8		
2.5 Don't Overload the Generator.....	8	<b>Notes .....</b>	<b>17</b>
2.6 Wattage Reference Guide .....	8		
2.7 Before Starting the Generator .....	9	<b>Warranty.....</b>	<b>18</b>
2.7.1 Adding Engine Oil .....	9		
2.7.2 Adding Gasoline.....	9		
2.8 To Start the Engine.....	10		
2.8.1 Manual (Recoil) Starting .....	10		
2.8.2 Electric Starting (XG7000E & XG8000E) .....	11		
2.9 Stopping the Engine .....	11		
2.10 Low Oil Pressure Shutdown System.....	11		
2.10.1 Restarting.....	11		
2.11 Charging a Battery .....	11		

## INTRODUCTION

Thank you for purchasing this model by Generac Power Systems, Inc. This model is a compact, high performance, air-cooled, engine driven generator designed to supply electrical power to operate electrical loads where no utility power is available or in place of utility due to a power outage.

## READ THIS MANUAL THOROUGHLY

If any portion of this manual is not understood, contact the nearest Authorized Dealer for starting, operating and servicing procedures.

The operator is responsible for proper and safe use of the equipment. We strongly recommend that the operator read this manual and thoroughly understand all instructions before using the equipment. We also strongly recommend instructing other users to properly start and operate the unit. This prepares them if they need to operate the equipment in an emergency.

The generator can operate safely, efficiently and reliably only if it is properly located, operated and maintained. Before operating or servicing the generator:

- Become familiar with and strictly adhere to all local, state and national codes and regulations.
- Study all safety warnings in this manual and on the product carefully.
- Become familiar with this manual and the unit before use.

The manufacturer cannot anticipate every possible circumstance that might involve a hazard. The warnings in this manual, and on tags and decals affixed to the unit are, therefore, not all inclusive. If using a procedure, work method or operating technique that the manufacturer does not specifically recommend, ensure that it is safe for others. Also make sure the procedure, work method or operating technique utilized does not render the generator unsafe.

THE INFORMATION CONTAINED HEREIN WAS BASED ON MACHINES IN PRODUCTION AT THE TIME OF PUBLICATION. GENERAC RESERVES THE RIGHT TO MODIFY THIS MANUAL AT ANY TIME.

## SAFETY RULES

Throughout this publication, and on tags and decals affixed to the generator, DANGER, WARNING, CAUTION and NOTE blocks are used to alert personnel to special instructions about a particular operation that may be hazardous if performed incorrectly or carelessly. Observe them carefully. Their definitions are as follows:

### **DANGER!**

**INDICATES A HAZARDOUS SITUATION OR ACTION WHICH, IF NOT AVOIDED, WILL RESULT IN DEATH OR SERIOUS INJURY.**

### **WARNING!**

**Indicates a hazardous situation or action which, if not avoided, could result in death or serious injury.**

### **CAUTION!**


**Indicates a hazardous situation or action which, if not avoided, could result in minor or moderate injury.**

#### NOTE:

**Notes contain additional information important to a procedure and will be found within the regular text body of this manual.**

These safety warnings cannot eliminate the hazards that they indicate. Common sense and strict compliance with the special instructions while performing the action or service are essential to preventing accidents.

Four commonly used safety symbols accompany the **DANGER**, **WARNING** and **CAUTION** blocks. The type of information each indicates is as follows:

 **This symbol points out important safety information that, if not followed, could endanger personal safety and/or property of others.**

 **This symbol points out potential explosion hazard.**

 **This symbol points out potential fire hazard.**

 **This symbol points out potential electrical shock hazard.**

## GENERAL HAZARDS

- Never operate in an enclosed area or indoors.
- For safety reasons, the manufacturer recommends that the maintenance of this equipment is carried out by an Authorized Dealer. Inspect the generator regularly, and contact the nearest Authorized Dealer for parts needing repair or replacement.
- Operate generator only on level surfaces and where it will not be exposed to excessive moisture, dirt, dust or corrosive vapors.
- Keep hands, feet, clothing, etc., away from drive belts, fans, and other moving parts. Never remove any fan guard or shield while the unit is operating.
- Certain parts of the generator get extremely hot during operation. Keep clear of the generator until it has cooled to avoid severe burns.
- Do NOT operate generator in the rain.
- Do not alter the construction of the generator or change controls which might create an unsafe operating condition.
- Never start or stop the unit with electrical loads connected to receptacles AND with connected devices turned ON. Start the engine and let it stabilize before connecting electrical loads. Disconnect all electrical loads before shutting down the generator.
- Do not insert objects through unit's cooling slots.
- When working on this equipment, remain alert at all times. Never work on the equipment when physically or mentally fatigued.

## Safety Rules




- Never use the generator or any of its parts as a step. Stepping on the unit can stress and break parts, and may result in dangerous operating conditions from leaking exhaust gases, fuel leakage, oil leakage, etc.
- On electric start models, disconnect the POSITIVE (+) battery cable from the engine starter OR the NEGATIVE (-) battery cable from the battery terminal, whichever is easier, before transporting the generator.

### NOTE:

***This generator is equipped with a spark arrestor muffler. The spark arrestor must be maintained in effective working order by the owner/ operator. In the State of California, a spark arrestor is required by law (Section 4442 of the California Public Resources Code). Other states may have similar laws. Federal laws apply on federal lands.***

## EXHAUST & LOCATION HAZARDS

- **Never operate in an enclosed area or indoors! NEVER use in the home, or in partly enclosed areas such as garages, even if doors and windows are open! ONLY use outdoors and far from open windows, doors, vents, and in an area that will not accumulate deadly exhaust.**

 <b>DANGER</b>	
<b>Using a generator indoors CAN KILL YOU IN MINUTES.</b>	
<b>Generator exhaust contains carbon monoxide. This is a poison you cannot see or smell.</b>	
	
<b>NEVER use inside a home or garage, EVEN IF doors and windows are open.</b>	
	<b>Only use OUTSIDE and far away from windows, doors, and vents.</b>

- The engine exhaust fumes contain carbon monoxide, which you cannot see or smell. This poisonous gas, if breathed in sufficient concentrations, can cause unconsciousness or even death.
- Adequate, unobstructed flow of cooling and ventilating air is critical to correct generator operation. Do not alter the installation or permit even partial blockage of ventilation provisions, as this can seriously affect safe operation of the generator. The generator **MUST** be operated outdoors.
- This exhaust system must be properly maintained. Do nothing that might render the exhaust system unsafe or in non-compliance with any local codes and/or standards.
- Always use a battery operated carbon monoxide alarm indoors, installed according to the manufacturer's instructions.
- If you start to feel sick, dizzy, or weak after the generator has been running, move to fresh air **IMMEDIATELY**. See a doctor, as you could have carbon monoxide poisoning.

## ELECTRICAL HAZARDS

- The generator produces dangerously high voltage when in operation. Avoid contact with bare wires, terminals, connections, etc., while the unit is running, even on equipment connected to the generator. Ensure all appropriate covers, guards and barriers are in place before operating the generator.
- Never handle any kind of electrical cord or device while standing in water, while barefoot or while hands or feet are wet. **DANGEROUS ELECTRICAL SHOCK MAY RESULT.**
- The National Electric Code (NEC) requires the frame and external electrically conductive parts of the generator be properly connected to an approved earth ground. Local electrical codes may also require proper grounding of the generator. Consult with a local electrician for grounding requirements in the area.
- Use a ground fault circuit interrupter in any damp or highly conductive area (such as metal decking or steel work).
- Do not use worn, bare, frayed or otherwise damaged electrical cord sets with the generator.
- Before performing any maintenance on the generator, disconnect the engine starting battery (if equipped) to prevent accidental start up. Disconnect the cable from the battery post indicated by a NEGATIVE, NEG or (-) first. Reconnect that cable last.
- In case of accident caused by electric shock, immediately shut down the source of electrical power. If this is not possible, attempt to free the victim from the live conductor. **AVOID DIRECT CONTACT WITH THE VICTIM.** Use a non-conducting implement, such as a rope or board, to free the victim from the live conductor. If the victim is unconscious, apply first aid and get immediate medical help.

## FIRE HAZARDS

- **Gasoline is highly FLAMMABLE and its vapors are EXPLOSIVE. Do not permit smoking, open flames, sparks or heat in the vicinity while handling gasoline.**
- Never add fuel while unit is running or hot. Allow engine to cool completely before adding fuel.
- **Never fill fuel tank indoors.** Comply with all laws regulating storage and handling of gasoline.
- **Do not overfill the fuel tank. Always allow room for fuel expansion.** If tank is over-filled, fuel can overflow onto a hot engine and cause FIRE or an EXPLOSION. Never store generator with fuel in tank where gasoline vapors might reach an open flame, spark or pilot light (as on a furnace, water heater or clothes dryer). FIRE or EXPLOSION may result. Allow unit to cool entirely before storage.
- Wipe up any fuel or oil spills immediately. Ensure that no combustible materials are left on or near the generator. Keep the area surrounding the generator clean and free from debris and keep a clearance of five (5) feet on all side to allow for proper ventilation of the generator.

- Do not insert objects through unit's cooling slots.
- **Do not** operate the generator if connected electrical devices overheat, if electrical output is lost, if engine or generator sparks or if flames or smoke are observed while unit is running.
- Keep a fire extinguisher near the generator at all times.

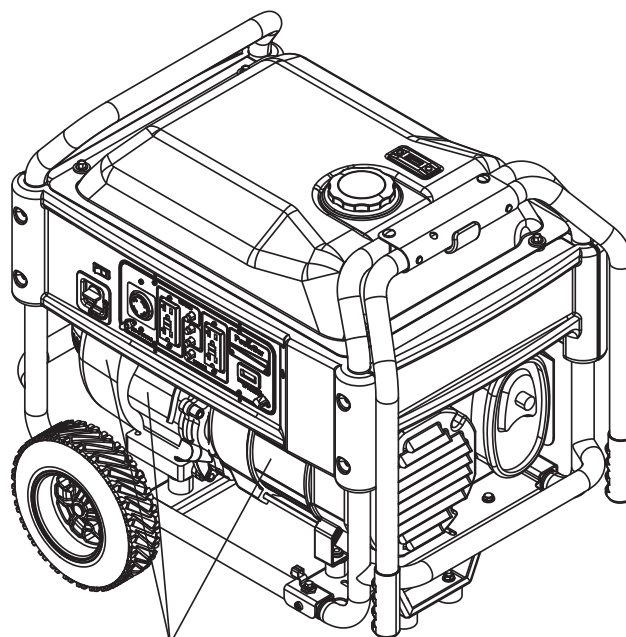
MODEL NO:	
SERIAL NO:	

## STANDARDS INDEX

In the absence of pertinent standards, codes, regulations and laws, the published information listed below may be used as a guideline for operation of this equipment. Always reference the latest revision available for the standards listed.

1. NFPA No. 70, NFPA HANDBOOK OF NATIONAL ELECTRIC CODE.
2. Article X, NATIONAL BUILDING CODE, available from the American Insurance Association, 85 John Street, New York, N.Y. 10038.
3. AGRICULTURAL WIRING HANDBOOK, available from the Food and Energy Council, 909 University Avenue, Columbia, MO 65201.
4. ASAE EP-3634, INSTALLATION AND MAINTENANCE OF FARM STANDBY ELECTRICAL SYSTEMS, available from the American Society of Agricultural Engineers, 2950 Niles Road, St. Joseph, MI 49085.

### Generator Identification



**Unit ID  
Locations**

#### CALIFORNIA PROPOSITION 65 WARNING

Engine exhaust and some of its constituents are known to the State of California to cause cancer, birth defects and other reproductive harm.

#### CALIFORNIA PROPOSITION 65 WARNING

This product contains or emits chemicals known to the State of California to cause cancer, birth defects and other reproductive harm.



# General Information

## 1.1 UNPACKING

- Remove all packaging material.
- Remove separate accessory box.
- Remove carton off the generator.

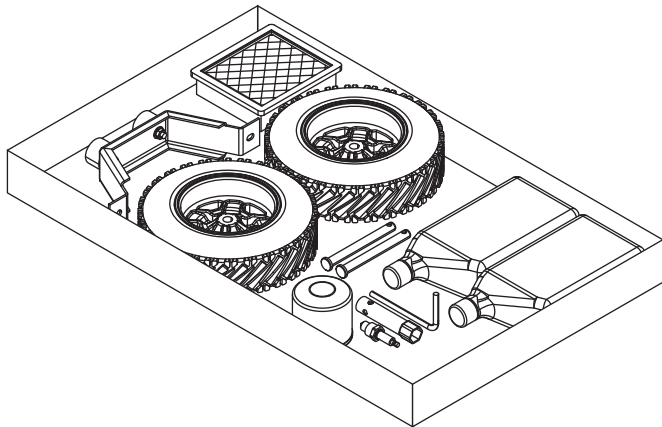
### 1.1.1 ACCESSORY BOX

Check all contents (Figure 1). If any parts are missing or damaged locate an authorized dealer at 1-888-775-6937.

Contents include:

- 2 – Axle Pins
- 2 – Wheel Spacers
- 2 – Hair Pins
- 2 – Wheels
- 1 – Frame Foot
- 2 – Frame Bolts
- 2 – Vibration Mounts
- 4 – Flange Nuts
- 2 – 1 Quart SAE 30 Oil Bottles
- Oil Filter
- Air Filter
- Spark Plug
- Spark Plug Wrench
- Shop Towel
- 2 – Frame Washers
- Oil Funnel
- 12 Volt Adaptor Plug Charger

Figure 1 – Accessory Boxes



## 1.2 ASSEMBLY

Read entire Owner's Manual before attempting to assemble or operate the generator. The generator requires some assembly prior to using it. If problems arise when assembling the generator, please call the Generator Helpline at 1-888-775-6937.

### 1.2.1 ASSEMBLING THE WHEEL KIT AND FRAME FOOT

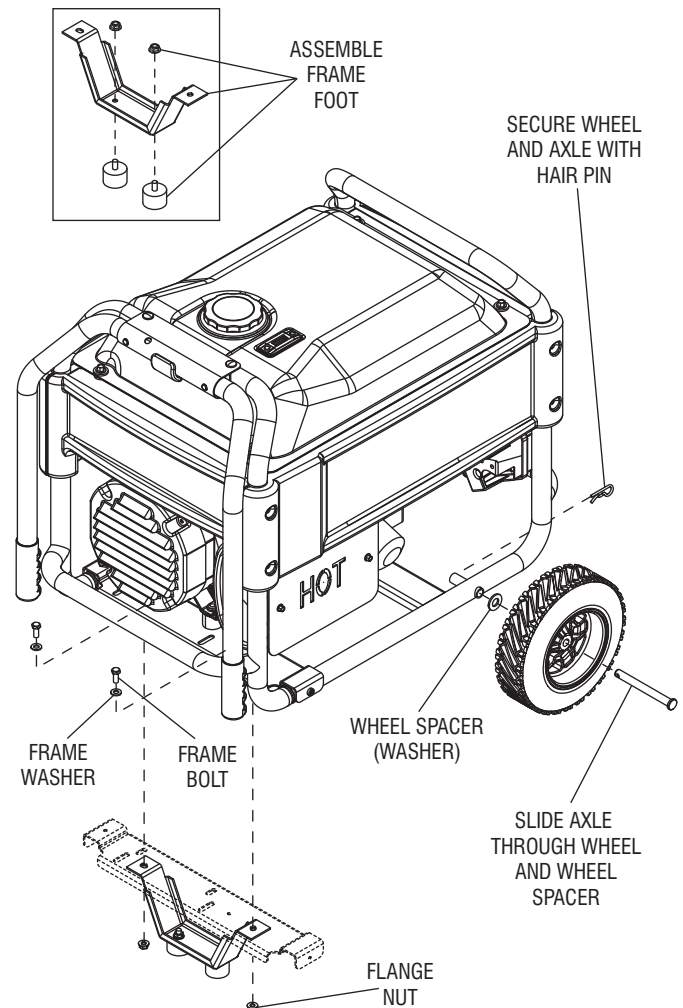
The wheel kit is designed to greatly improve the portability of the generator. You will need the following tools to install the wheel kit: Pliers, 1/2" (13mm) wrench and a socket wrench with a 1/2" (13mm) socket.

**NOTE:**

**The wheel kit is not intended for over-the-road use.**

- Refer to Figure 2 and install the wheel kit and frame foot as follows:
- Slide the Axle Pin through the Wheel, Wheel Spacer (Washer) and the Frame.
- Install the Hair Pin to the Axle Pin to secure the wheel. Repeat for the opposite side.
- Secure the Vibration Mounts to the Frame Foot with the included locking nuts.
- To install the Frame Foot, install the Frame Bolts through the Frame Washers, Frame and Frame foot. Secure with the locking nuts.

Figure 2 – Wheel and Foot Assembly



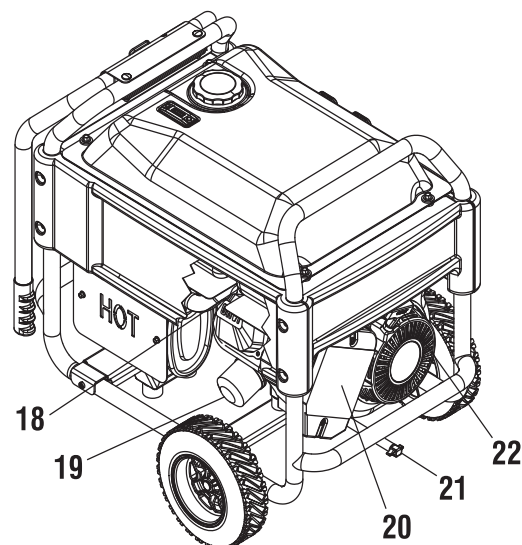
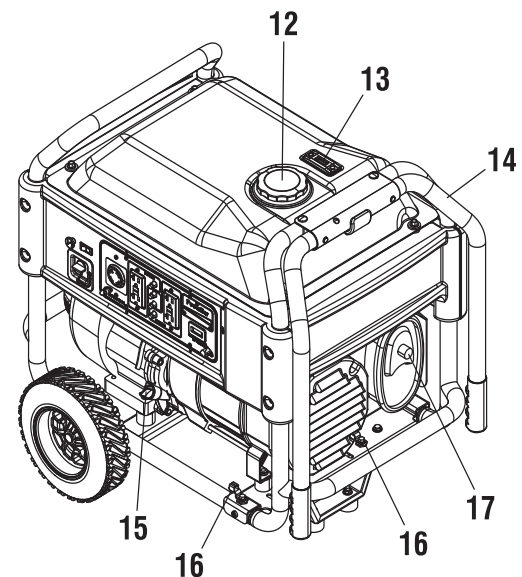
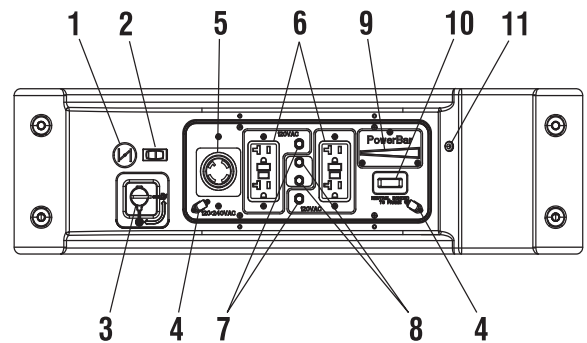
## 2.1 KNOW THE GENERATOR

Read the entire Owner's Manual and Safety Rules before operating this generator.

Compare the generator to Figures 3 through 6 to become familiarized with the locations of various controls and adjustments. Save this manual for future reference.

1. **Choke Knob** – Used when starting a cold engine (Pull/Push).
2. **Engine Switch** – Controls the operation of the generator. On electric start models the switch is Start/Run/Stop. On recoil start models the switch is On/Off.
3. **Fuel Shut Off** – Valve between fuel tank and carburetor. Turn off and run carburetor out of fuel for extended storage.
4. **Panel LED's** – Provide illumination of the control panel while the generator is operating.
5. **120/240 Volt AC, 30 Amp Locking Receptacle** – Supplies electrical power for the operation of 120 and/or 240 Volt AC, 30 Amp, single-phase, 60 Hz, electrical lighting, appliance, tool and motor loads.
6. **120 Volt AC, 20 Amp, GFCI Duplex Receptacle** – Supplies electrical power for the operation of 120 Volt AC, 20 Amp, single-phase, 60 Hz electrical lighting, appliance, tool and motor loads. It also provides protection with an Integral Ground Fault Circuit Interrupter, complete with a press to "Test" and "Reset" button.
7. **Circuit Breakers (AC)** – Each 20 Amp receptacle is provided with a push-to-reset circuit breaker to protect the generator against electrical overload.
8. **Circuit Breakers (AC)** – The 30 Amp receptacle is protected with a pair of push-to-reset circuit breakers to protect the generator against electrical overload.
9. **PowerBar** – Indicates the amount of power being used from the generator; each section is approximately 25%
10. **Hourmeter** – Provides operating hours for Service Intervals.
11. **Battery Charger Input (Electric Start Models)** – This receptacle allows the capability to recharge the 12 VDC engine starting battery with the 12 Volt Adaptor Plug Charger. The battery is protected by a 1.50 Amp in-line fuse which is inside the control panel.
12. **Fuel Tank** – Tank holds 9 U.S. gallons of fuel.
13. **Fuel Gauge** – Shows fuel level in tank.
14. **Handles** – Pivot and retract for storage. Press the spring-loaded button to move handles.
15. **Oil Fill** – Check oil level and add oil here.
16. **Grounding Lug** – Ground the generator to an approved earth ground here. See "Grounding the Generator" for details.
17. **Muffler** – Includes the spark arrestor and quiets the engine.
18. **Spark Plug Location** – The spark plug ignites the Air/Fuel Mixture (Side panel must be removed).
19. **Engine Oil Filter** – Filters engine oil; see Section 3.1 for the proper service intervals.
20. **Air Cleaner** – Filters intake air as it is drawn into the engine.
21. **Oil Drain** – Drain valve to remove used oil from the engine crankcase.
22. **Recoil Starter** – Use to start engine manually.

Figure 3 – Generator Locations



# Operation

## 2.1.1 BATTERY CONNECTION (XG7000E & XG8000E)

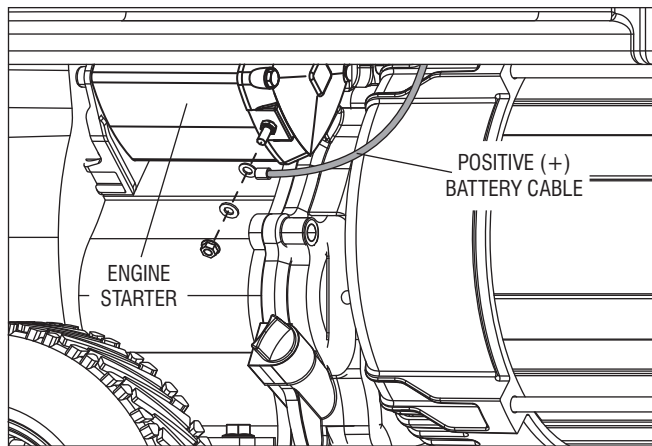
### NOTE:

The battery shipped with the generator has been fully charged.

A battery may lose some of its charge when not in use for prolonged periods of time. If the battery is unable to crank the engine, plug in the 12V charger included in the accessory box (see the Charging the Battery section). **RUNNING THE GENERATOR DOES NOT CHARGE THE BATTERY.**

The positive battery wire was deliberately left detached for shipping. To operate the unit, attach this wire to the terminal on the starter motor as shown. Do not overtighten. Slide the attached rubber boot over the starter terminal. See Figure 4.

Figure 4 – Battery Connection



## 2.2 HOURMETER

The Hourmeter tracks hours of operation for scheduled maintenance:

There will be a one time break in "CHG OIL" message that flashes with the elapsed time in hours and tenths after the first 30 hours of operation.

This message will actually begin flashing at 29 hours and disable itself at 31 hours providing a two hour window to perform the service.

There will be a subsequent "CHG OIL" message every 100 hours. The message will flash one hour before and one hour after each 100 hour interval, again providing a two hour window to perform service.

Every 200 hours the "SVC" icon on the lower left hand corner of the display will flash. The message will flash one hour before and one hour after each 200 hour interval providing a two hour window to perform service.

When the hour meter is in the Flash Alert mode, the maintenance message will always alternate with elapsed time in hours and tenths. The hours will flash four times, then alternate with the maintenance message four times until the meter resets itself.

- 100 hours - CHG OIL — Oil Change Interval (Every 100 hrs)
- 200 hours - SVC — Air Filter Interval (Every 200 hrs)

## 2.3 CORD SETS AND CONNECTION PLUGS

### 2.3.1 120 VAC, 20 AMP, GFCI DUPLEX RECEPTACLE

This is a 120 Volt outlet protected against overload by a 20 Amp push-to-reset circuit breaker (Figure 5). Use each socket to power 120 Volt AC, single phase, 60 Hz electrical loads requiring up to a combined 2400 watts (2.4 kW) or 20 Amps of current. Use only high quality, well-insulated, 3-wire grounded cord sets rated for 125 Volts at 20 Amps (or greater).

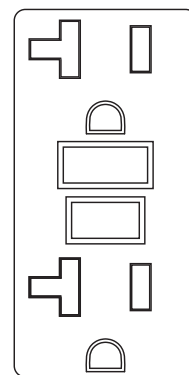
Keep extension cords as short as possible, preferably less than 15 feet long, to prevent voltage drop and possible overheating of wires.

### 2.3.2 120/240 VAC, 30 AMP RECEPTACLE

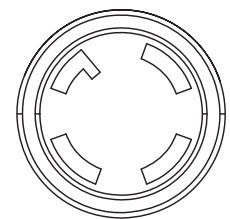
Use a NEMA L14-30 plug with this receptacle (rotate to lock/unlock). Connect a suitable 4-wire grounded cord set to the plug and to the desired load. The cord set should be rated for 250 Volts AC at 30 Amps (or greater) (Figure 5).

Use this receptacle to operate 120 Volt AC, 60 Hz, single phase loads requiring up to 3600 watts (3.6 kW) of power at 30 Amps or 240 Volt AC, 60 Hz, single phase loads requiring 6,500 to 8000 watts of power, depending on the model. The outlet is protected by a 30 Amp circuit breaker.

Figure 5 – Generator Receptacles



120 VAC 20A  
GFCI RECEPTACLE



120/240 VAC 30A  
RECEPTACLE



## 2.4 HOW TO USE THE GENERATOR

If there are any problems operating the generator, please call the generator helpline at 1-888-436-3722.


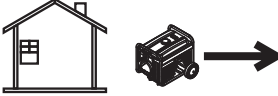
### ⚠ DANGER!

- ⚠ **Never operate in an enclosed area or indoors! NEVER use in the home, or in partly enclosed areas such as garages, even if doors and windows are open! ONLY use outdoors and far from open windows, doors, vents, and in an area that will not accumulate deadly exhaust.**
- ⚠ **The engine exhaust fumes contain carbon monoxide, which you cannot see or smell. This poisonous gas, if breathed in sufficient concentrations, can cause unconsciousness or even death.**
- ⚠ **Adequate, unobstructed flow of cooling and ventilating air is critical to correct generator operation. Do not alter the installation or permit even partial blockage of ventilation provisions, as this can seriously affect safe operation of the generator. The generator MUST be operated outdoors.**
- ⚠ **This exhaust system must be properly maintained. Do nothing that might render the exhaust system unsafe or in noncompliance with any local codes and/or standards.**
- ⚠ **The manufacturer recommends installing a battery operated carbon monoxide alarm indoors, according to the manufacturers instructions.**

**⚠ DANGER**

Using a generator indoors **CAN KILL YOU IN MINUTES.**

Generator exhaust contains carbon monoxide. This is a poison you cannot see or smell.

 <p><b>NEVER</b> use inside a home or garage, <b>EVEN IF</b> doors and windows are open.</p>	 <p>Only use <b>OUTSIDE</b> and far away from windows, doors, and vents.</p>
---	---

### 2.4.1 SYSTEM GROUND

The generator has a system ground that connects the generator frame components to the ground terminals on the AC output receptacles. The system ground is bonded to the AC neutral wire in the generator control panel via a jumper wire.

### Special Requirements

There may be Federal or State Occupational Safety and Health Administration (OSHA) regulations, local codes, or ordinances that apply to the intended use of the generator.

Please consult a qualified electrician, electrical inspector, or the local agency having jurisdiction:

- In some areas, generators are required to be registered with local utility companies.
- If the generator is used at a construction site, there may be additional regulations which must be observed.

### Connecting to a Building's Electrical System

Connections for standby power to a building's electrical system must be made by a qualified electrician. The connection must isolate the generator power from utility power or other alternative power sources and must comply with all applicable laws and electrical codes.

### 2.4.2 GROUNDING THE GENERATOR

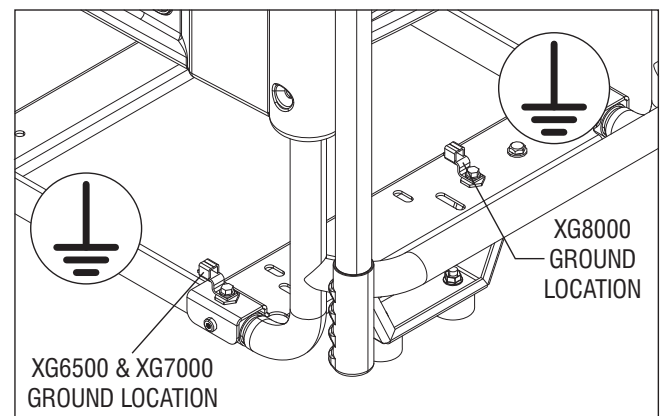
#### ⚠ WARNING!

- ⚠ **The National Electrical Code requires that the frame and external electrically conductive parts of this generator be properly connected to an approved earth ground.**

Local electrical codes may also require proper grounding of the unit (Figure 6). For that purpose, connecting a No. 10 AWG (American Wire Gauge) stranded copper wire to the grounding lug and to an earth-driven copper or brass grounding rod (electrode) provides adequate protection against electrical shock. However, local codes may vary widely. **Consult with a local electrician for grounding requirements in the area.**

**Proper grounding of the generator will help prevent electrical shock** in the event of a ground fault condition in the generator or in connected electrical devices. Proper grounding also helps dissipate static electricity, which often builds up in ungrounded devices.

Figure 6 – Generator Ground Location



# Operation

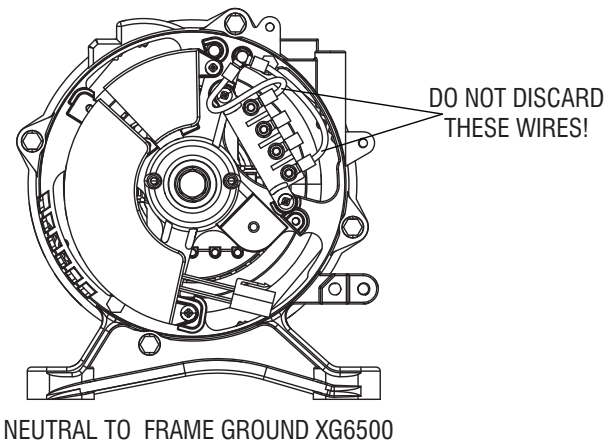
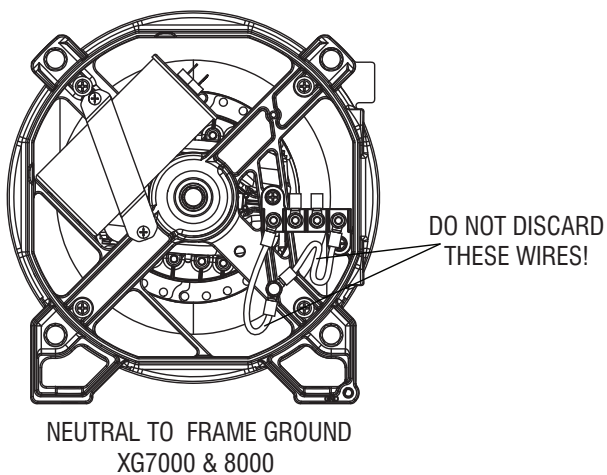
## 2.4.3 NEUTRAL TO FRAME GROUNDING

If service work is performed on the alternator, **DO NOT** discard the white jumper wires from the terminal block to the alternator ground, located on the rear bearing carrier. Always make sure the wires are properly connected before using the generator after alternator service work is done (Figure 7).

### **⚠ DANGER!**

**⚠ Failure to reconnect these wires may create a potential shock hazard when the generator is running!**

Figure 7 – Neutral to Frame Ground



## 2.4.3 CONNECTING ELECTRICAL LOADS

**DO NOT** connect 240 Volt loads to 120 Volt receptacles.

**DO NOT** connect 3 phase loads to the generator.

**DO NOT** connect 50 Hz loads to the generator.

- Let engine stabilize and warm up for a few minutes after starting.
- Plug in and turn on the desired 120 or 240 Volt AC, single phase, 60 Hz electrical loads.

- Add up the rated watts (or amps) of all loads to be connected at one time. This total should no be greater than (a) the rated wattage/amperage capacity of the generator or (b) circuit breaker rating of the receptacle supplying the power. See "Don't Overload the Generator"

## 2.5 DON'T OVERLOAD THE GENERATOR

Overloading a generator in excess of its rated wattage capacity can result in damage to the generator and to connected electrical devices. Observe the following to prevent overloading the unit:

- Add up the total wattage of all electrical devices to be connected at one time. This total should NOT be greater than the generator's wattage capacity.
- The rated wattage of lights can be taken from light bulbs. The rated wattage of tools, appliances and motors can usually be found on a data label or decal affixed to the device.
- If the appliance, tool or motor does not give wattage, multiply volts times ampere rating to determine watts (volts x amps = watts).
- Some electric motors, such as induction types, require about three times more watts of power for starting than for running. This surge of power lasts only a few seconds when starting such motors. Make sure to allow for high starting wattage when selecting electrical devices to connect to the generator:
  1. Figure the watts needed to start the largest motor.
  2. Add to that figure the running watts of all other connected loads.

The Wattage Reference Guide is provided to assist in determining how many items the generator can operate at one time.

### NOTE:

*All figures are approximate. See data label on appliance for wattage requirements.*

## 2.6 WATTAGE REFERENCE GUIDE

Device	Running Watts
*Air Conditioner (12,000 Btu)	1700
*Air Conditioner (24,000 Btu)	3800
*Air Conditioner (40,000 Btu)	6000
Battery Charger (20 Amp)	500
Belt Sander (3")	1000
Chain Saw	1200
Circular Saw (6-1/2")	.800 to 1000
*Clothes Dryer (Electric)	5750
*Clothes Dryer (Gas)	700
*Clothes Washer	1150
Coffee Maker	1750
*Compressor (1 HP)	2000
*Compressor (3/4 HP)	1800
*Compressor (1/2 HP)	1400
Curling Iron	700
*Dehumidifier	650
Disc Sander (9")	1200
Edge Trimmer	500
Electric Blanket	400

Electric Nail Gun . . . . .	1200
Electric Range (per element) . . . . .	1500
Electric Skillet . . . . .	1250
*Freezer . . . . .	700
*Furnace Fan (3/5 HP) . . . . .	875
*Garage Door Opener . . . . .	.500 to 750
Hair Dryer . . . . .	1200
Hand Drill . . . . .	.250 to 1100
Hedge Trimmer . . . . .	450
Impact Wrench . . . . .	500
Iron . . . . .	1200
*Jet Pump . . . . .	800
Lawn Mower . . . . .	1200
Light Bulb . . . . .	100
Microwave Oven . . . . .	.700 to 1000
*Milk Cooler . . . . .	1100
Oil Burner on Furnace . . . . .	300
Oil Fired Space Heater (140,000 Btu) . . . . .	400
Oil Fired Space Heater (85,000 Btu) . . . . .	225
Oil Fired Space Heater (30,000 Btu) . . . . .	150
*Paint Sprayer, Airless (1/3 HP) . . . . .	600
Paint Sprayer, Airless (handheld) . . . . .	150
Radio . . . . .	.50 to 200
*Refrigerator . . . . .	700
Slow Cooker . . . . .	200
*Submersible Pump (1-1/2 HP) . . . . .	2800
*Submersible Pump (1 HP) . . . . .	2000
*Submersible Pump (1/2 HP) . . . . .	1500
*Sump Pump . . . . .	.800 to 1050
*Table Saw (10") . . . . .	1750 to 2000
Television . . . . .	.200 to 500
Toaster . . . . .	1000 to 1650
Weed Trimmer . . . . .	500

\* Allow 3 times the listed watts for starting these devices.

## 2.7 BEFORE STARTING THE GENERATOR

Prior to operating the generator, engine oil and gasoline will need to be added, as follows:

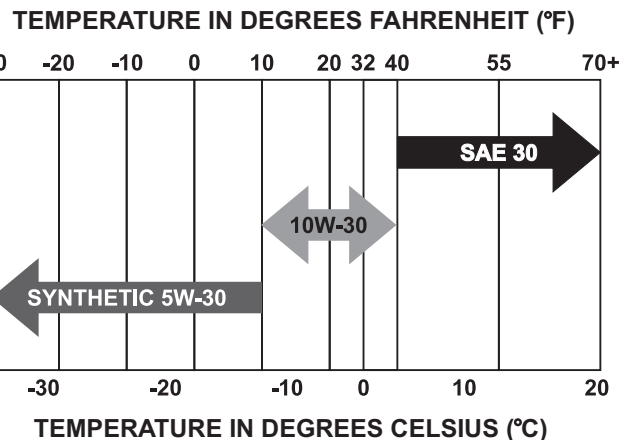
### 2.7.1 ADDING ENGINE OIL

All oil should meet minimum American Petroleum Institute (API) Service Class SJ, SL or better. Use no special additives. Select the oil's viscosity grade according to the expected operating temperature (also see chart).

- Above 40° F, use SAE 30
- Below 40° F and down to 10° F, use 10W-30
- Below 10° F, use synthetic 5W-30

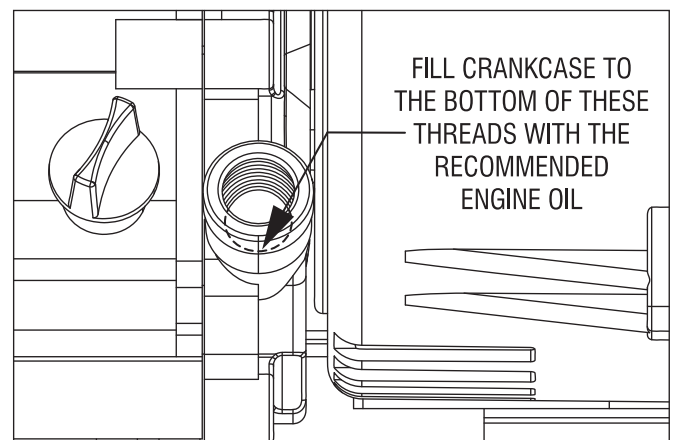
#### **⚠ WARNING!**

**⚠ Any attempt to crank or start the engine before it has been properly serviced with the recommended oil may result in an engine failure.**



- Place generator on a level surface.
- Clean area around oil fill and remove oil fill cap.
- Slowly fill engine with oil through the oil fill opening until it reaches the full mark. Stop filling occasionally to check oil level. (Engine oil is full when level is up to the threads of the oil fill plug, see Figure 8)
- Install oil fill cap and finger tighten securely.
- Check engine oil level before starting each time thereafter.

**Figure 8 – Oil Level**



### 2.7.2 ADDING GASOLINE

#### **⚠ DANGER!**

**⚠ DO NOT light a cigarette or smoke when filling the fuel tank.**

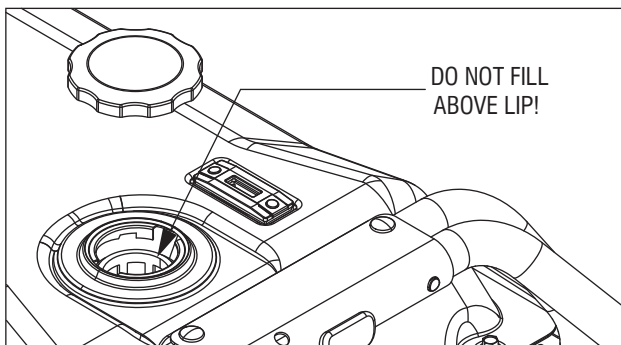
**⚠ Never fill fuel tank indoors. Never fill fuel tank when engine is running or hot. Avoid spilling gasoline on a hot engine. Allow engine to cool entirely before filling fuel tank.**

## Operation

**⚠ Do not overfill the fuel tank. Always leave room for fuel expansion. If the fuel tank is overfilled, fuel can overflow onto a hot engine and cause FIRE or EXPLOSION. Wipe up any spilled fuel immediately.**

- Use regular UNLEADED gasoline with the generator engine. Do not use premium gasoline. Do not mix oil with gasoline.
- Do not use gasoline with more than 10% alcohol such as E85 or Methanol.
- Clean area around fuel fill cap, remove cap.
- Slowly add unleaded regular gasoline to fuel tank. Fill to bottom of screen filter. **Be careful not to overfill** (Figure 9).
- Install fuel cap and wipe up any spilled gasoline.

**Figure 9 – Fuel Fill Level**



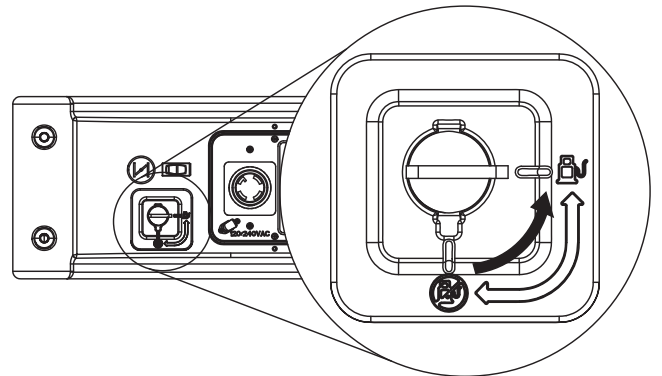
**IMPORTANT:** It is important to prevent gum deposits from forming in fuel system parts such as the carburetor, fuel hose or tank during storage. Alcohol-blended fuels (called gasohol, ethanol or methanol) can attract moisture, which leads to separation and formation of acids during storage. Acidic gas can damage the fuel system of an engine while in storage. To avoid engine problems, the fuel system should be emptied before storage of 30 days or longer. See the "Storage" section. Never use engine or carburetor cleaner products in the fuel tank as permanent damage may occur.

## 2.8 TO START THE ENGINE

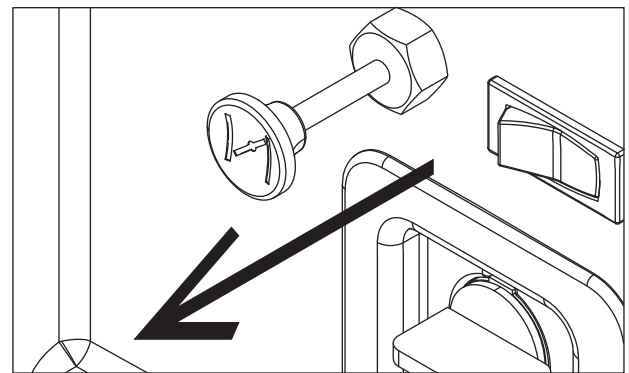
**Never start or stop engine with electrical devices plugged into the receptacles AND devices turned on.**

- Unplug all electrical loads from the unit's receptacles before starting the engine.
- Make sure the unit is in a level position.
- Open the fuel shut-off valve (Figure 10).
- Pull engine CHOKE knob outward to "**Full Choke**" position (Figure 11).

**Figure 10 – Fuel Shut-off Valve**



**Figure 11 – Choke Operation**



### 2.8.1 MANUAL (RECOIL) STARTING

- To start the generator, put the on/off switch in the ON position.
- Firmly grasp the recoil handle and pull slowly until increased resistance is felt. Pull rapidly up and away to start engine.
- When the engine starts, push choke knob to "1/2 Choke" position until the engine runs smoothly and then fully in to the "Run" position. If engine falters, pull choke knob back out to "1/2 Choke" position until the engine runs smoothly and then to "Run" position.

**NOTE:**

***If engine fires, but does not continue to run, pull choke knob to "Full Choke" and repeat starting instructions.***

**IMPORTANT:** Do not overload the generator. Also, do not overload individual panel receptacles. These outlets are protected against overload with push-to-reset-type circuit breakers. Read "Don't Overload the Generator" carefully.

## 2.8.1 ELECTRIC STARTING (XG7000E & XG8000E)

- To start the engine, press and hold the Start/Run/Stop switch in the “Start” position. The engine will crank and attempt to start. When the engine starts, release the switch to the run position.
- When the engine starts, push choke knob to “1/2 Choke” position until the engine runs smoothly and then fully in to the “Run” position. If engine falters, pull choke knob back out to “1/2 Choke” position until the engine runs smoothly and then to “Run” position.
- This generator is also equipped with a manual recoil starter which may be used if the battery is discharged.

### NOTE:

**The engine Start/Run/Stop switch must be in the RUN position when using the manual recoil starter.**

## 2.9 STOPPING THE ENGINE

- Shut off all loads, then unplug the electrical loads from generator panel receptacles. Never start or stop the engine with electrical devices plugged in and turned on.
- Let engine run at no-load for several minutes to stabilize the internal temperatures of engine and generator.
- Move Start/Run/Stop or On/Off switch to the “Off” position.
- Close fuel valve.

## 2.10 LOW OIL PRESSURE SHUTDOWN SYSTEM

The engine is equipped with a low oil pressure sensor that shuts down the engine automatically when the oil pressure drops below 5 psi. A delay built into the low oil shutdown system allows oil pressure to build during starting. The delay allows the engine to run for about 10 seconds before sensing oil pressure. If the engine shuts down by itself and the fuel tank has enough gasoline, check engine oil level.

### 2.10.1 RESTARTING

If trying to restart the engine within 10 seconds after it shuts down, the engine may NOT start. The system needs 5 to 10 seconds to reset.

If the engine is restarted after such a shutdown and the low oil pressure has not been corrected, the engine will run for about 10 seconds as described above and then stop.

## 2.11 CHARGING THE BATTERY (XG7000E & XG8000E)

### **⚠ DANGER!**

- ⚠ Do not permit smoking, open flame, sparks or any other source of heat around a battery. Wear protective goggles, rubber apron and rubber gloves when working around a battery. Battery electrolyte fluid is an extremely corrosive sulfuric acid solution that can cause severe burns. If spill occurs flush area with clear water immediately.**

**⚠ Storage batteries give off explosive hydrogen gas while recharging. An explosive mixture will remain around the battery for a long time after it has been charged. The slightest spark can ignite the hydrogen and cause an explosion. Such an explosion can shatter the battery and cause blindness or other serious injury.**

Use battery charger plug to keep the battery charged and ready for use. Battery charging should be done in a dry location.

1. Plug charger into “Battery Charger Input” jack, located on the control panel. Plug wall receptacle end of the battery charger into a 120 Volt AC wall outlet.
2. Unplug battery charger from wall outlet and control panel jack when generator is going to be in use.

### NOTE:

**Do not use the battery charger for more than 48 hours at one charge.**

## 3.1 MAINTENANCE SCHEDULE

Follow the calendar intervals. More frequent service is required when operating in adverse conditions noted below.

Check Oil Level	At Each Use
Change Oil and Oil Filter‡	*Every Season/Every 100 Hours
Clean Spark Arrestor Screen	*Every Season/Every 100 Hours
Service Air Cleaner	**Every Season/Every 200 Hours
Replace Spark Plug	Every Season

‡ Change oil after first 30 hours of operation then every season.

\* Change oil and oil filter every month when operating under heavy load or in high temperatures.

\*\* Clean more often under dirty or dusty operating conditions. Replace air cleaner parts if very dirty.

## 3.2 PRODUCT SPECIFICATIONS

### 3.2.1 GENERATOR SPECIFICATIONS

Model #.....	005800-0, 005747-0
Rated Max. Power.....	8.0 kW**
Surge Power.....	10 kW
Rated AC Voltage.....	120/240
Rated Max AC Load	
Current @ 240V.....	33.3 Amps**
Current @ 120V.....	66.7 Amps**
Rated Frequency.....	60 Hz @ 3600 RPM
Phase.....	Single Phase
Rated DC Voltage.....	12 Volts
Battery Type.....	10 AH, 12VDC





**NOTE:**

**DO NOT use a garden hose to clean generator. Water can enter the engine fuel system and cause problems. In addition, if water enters the generator through cooling air slots, some water will be retained in voids and crevices of the rotor and stator winding insulation. Water and dirt buildup on the generator internal windings will eventually decrease the insulation resistance of these windings.**

### 3.3.2 TO CLEAN THE GENERATOR

- Use a damp cloth to wipe exterior surfaces clean.
- A soft, bristle brush may be used to loosen caked on dirt, oil, etc.
- A vacuum cleaner may be used to pick up loose dirt and debris.
- Low pressure air (not to exceed 25 psi) may be used to blow away dirt. Inspect cooling air slots and openings on the generator. These openings must be kept clean and unobstructed.

### 3.3.3 ENGINE MAINTENANCE

**▲ CAUTION!**

**▲ When working on the generator, always disconnect negative cable from battery. Also disconnect spark plug wire from spark plug and keep wire away from spark plug.**

### 3.3.4 CHECKING OIL LEVEL

See the “BEFORE STARTING THE GENERATOR” section for information on checking the oil level. The oil level should be checked before each use, or at least every eight hours of operation. Keep the oil level maintained.

### 3.3.5 CHANGING THE OIL AND OIL FILTER

Change the oil and filter after the first 30 hours of operation. Change the oil every 100 hours or every season thereafter. If running this unit under dirty or dusty conditions, or in extremely hot weather, change the oil more often.

**▲ DANGER!**

**▲ Hot oil may cause burns. Allow engine to cool before draining oil. Avoid prolonged or repeated skin exposure with used oil. Thoroughly wash exposed areas with soap.**

**Use the following instructions to change the oil:**

- Clean area around oil drain cap.
- Remove oil drain cap from the drain hose and oil fill plug to drain oil completely into a suitable container.
- When oil has completely drained, install oil drain cap and tighten securely.
- Place a suitable container beneath the oil filter and turn filter counterclockwise to remove. Discard according to local regulations.

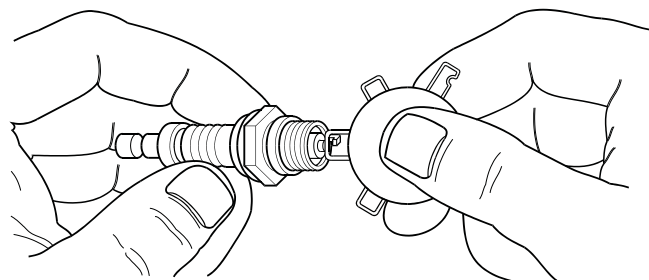
- Coat gasket of new filter with clean engine oil. Turn filter clockwise until gasket contacts lightly with filter adapter. Then tighten an additional 3/4 turn.
- Fill oil sump with recommended oil and replace the oil fill plug. (See “Before Starting the Generator” for oil recommendations).
- Wipe up any spilled oil.
- Dispose of used oil at a proper collection center.

### 3.3.6 REPLACING THE SPARK PLUG

Use Champion RC14YC spark plug or equivalent. **Replace the plug once each year.** This will help the engine start easier and run better.

1. Stop the engine and pull the spark plug wire off of the spark plug.
2. To gain access, remove the four (4) socket head screws and take off the side panel.
3. Clean the area around the spark plug and remove it from the cylinder head.
4. Set the spark plug's gap to .76 mm (0.030 in.). Install the correctly gapped spark plug into the cylinder head (Figure 12).
5. Push the boot firmly on the spark plug and install side panel.

**Figure 12 – Spark Plug Gap**



### 3.4 SERVICE AIR CLEANER

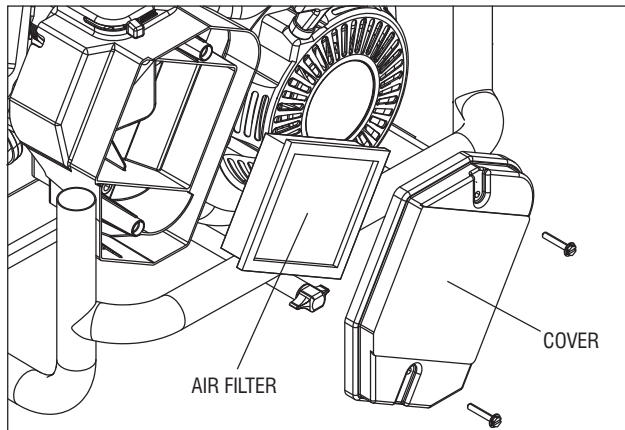
The engine will not run properly and may be damaged if using a dirty air cleaner. Clean or replace the air cleaner paper filter every 200 hours or once a year (Figure 15). Clean or replace more often if operating under dusty conditions. To clean or replace paper air filter:

- Remove air cleaner cover and remove paper filter (Figure 13).
- Clean paper filter by tapping it gently on a solid surface. If the filter is too dirty, replace it with a new one. Dispose of the old filter properly.
- Clean air cleaner cover. Next insert new paper filter into the base of the air cleaner. Re-install air cleaner cover.

**NOTE:**

**To order a new air filter, please contact the nearest authorized service center at 1-888-GENERAC.**

Figure 13 – Air Filter



## 3.5 CLEAN SPARK ARRESTOR SCREEN

The engine exhaust muffler has a spark arrestor screen. Inspect and clean the screen at least once each year (Figure 14). If unit is used regularly, inspect and clean more often.

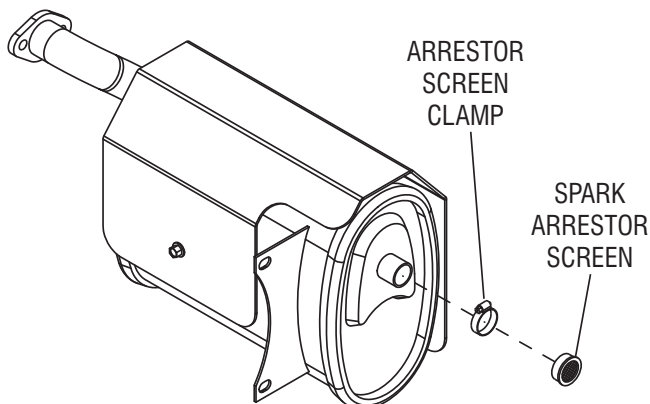
### ⚠ DANGER!

- ⚠ If using the generator on any forest-covered, brush-covered or grass-covered unimproved land, it must be equipped with a spark arrestor. The spark arrestor must be maintained in good condition by the owner/operator.

Clean and inspect the spark arrestor when the engine is at ambient temperature as follows:

- Loosen the clamp and remove the spark arrestor screen from the muffler.
- Inspect screen and replace if torn, perforated or otherwise damaged. DO NOT USE a defective screen. If screen is not damaged, clean it with commercial solvent.
- Replace the spark arrestor and secure with the clamp.

Figure 14 – Spark Arrestor Screen



## 3.6 GENERAL

The generator should be started at least once every seven days and be allowed to run at least 30 minutes. If this cannot be done and the unit must be stored for more than 30 days, use the following information as a guide to prepare it for storage.

### ⚠ DANGER!

- ⚠ NEVER store engine with fuel in tank indoors or in enclosed, poorly ventilated areas where fumes may reach an open flame, spark or pilot light as on a furnace, water heater, clothes dryer or other gas appliance.
- ⚠ Allow unit to cool entirely before storage.

## 3.7 LONG TERM STORAGE

It is important to prevent gum deposits from forming in essential fuel system parts such as the carburetor, fuel hose or tank during storage. To avoid engine problems, the fuel system should be emptied before storage of 30 days or longer, as follows:

- Remove all gasoline from the fuel tank.

### ⚠ CAUTION!

- ⚠ Drain fuel into approved container outdoors, away from open flame. Be sure engine is cool. Do not smoke in the vicinity or light a cigarette.
- Start and run engine until engine stops from lack of fuel.
- Allow the engine to cool, then drain oil from crankcase. Refill with recommended grade.
- Remove spark plug and pour about 1/2 ounce (15 ml) of engine oil into the cylinder. Cover spark plug hole with rag. Pull the recoil starter a couple times to lubricate the piston rings and cylinder bore.

### ⚠ CAUTION!

- ⚠ Avoid spray from spark plug hole when cranking engine.
- Install and tighten spark plug. Do not connect the spark plug wire.
- Clean the generator outer surfaces. Check that cooling air slots and openings on generator are open and unobstructed.
- Store the unit in a clean, dry place.

## 3.8 OTHER STORAGE TIPS

- Do not store gasoline from one season to another.
- Replace any gasoline can that starts to rust. Rust and/or dirt in the gasoline will cause problems with the carburetor and fuel system.
- If possible, store the unit indoors and cover it to give protection from dust and dirt. Cover the unit with a suitable protective cover that does not retain moisture.
- **BE SURE TO EMPTY THE FUEL TANK.** If it is not practical to empty the fuel tank and the unit is to be stored for some time, use a commercially available fuel stabilizer added to the gasoline to increase the life of the gasoline.

### ▲ CAUTION!

**! NEVER cover the generator while engine and exhaust area are warm.**

## 4.1 BATTERY REPLACEMENT (XG7000E & XG8000E)

### NOTE:

The battery shipped with the generator has been fully charged. A battery may lose some of its charge when not in use for prolonged periods of time. If the battery is unable to crank the engine, plug in the 12V charger included in the accessory box (see the Charging a Battery section). **RUNNING THE GENERATOR DOES NOT CHARGE THE BATTERY.**

The battery shipped with the generator has been provided fully charged. To replace the battery (See Figure 16):

- Remove the side panel as shown. Remove the four bolts securing the fuel tank.
- Turn the fuel valve on the control panel to the "OFF" position. Pull the fuel tank back slightly and remove the fuel hose that runs from the engine to the fuel valve.

### ▲ CAUTION!

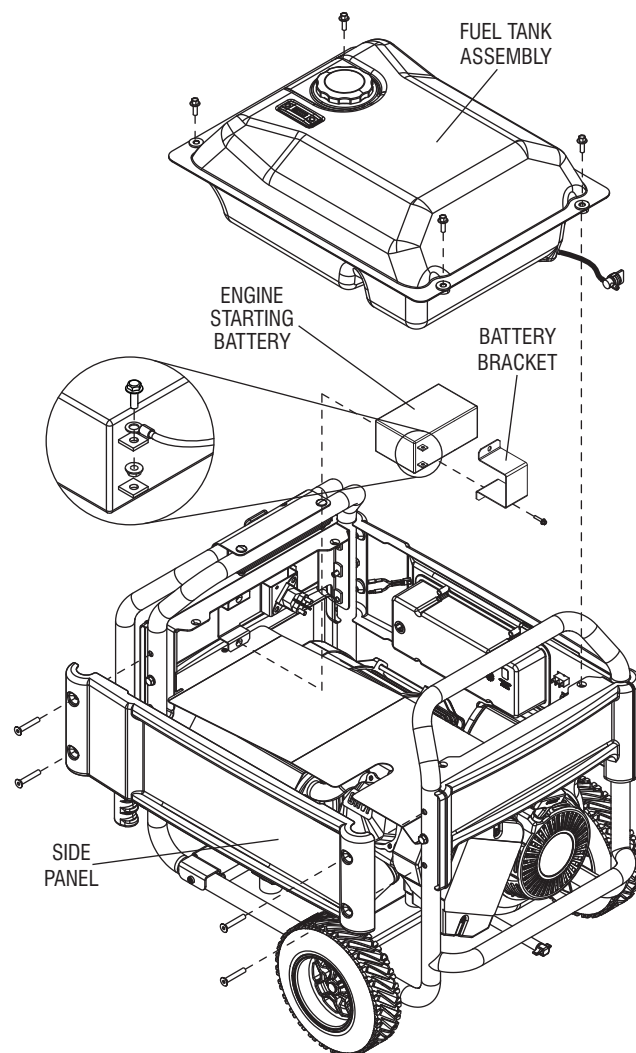
**! Drain fuel into approved container outdoors, away from open flame. Be sure engine is cool. Do not smoke in the vicinity or light a cigarette.**

- Push the fuel valve from the control panel and remove the fuel tank.
- Remove the battery wire connections (black wire first) and the battery hold-down bracket.
- Replace the battery, connecting the RED wire to the POSITIVE (+) terminal and the BLACK wire to the NEGATIVE (-) terminal

### NOTE:

**Start all four screws on the side panel before tightening or it may not be possible to get all the screws in place.**

Figure 16 – Battery Removal



# Troubleshooting

## 5.1 TROUBLESHOOTING GUIDE

PROBLEM	CAUSE	CORRECTION
Engine is running, but no AC output is available.	<ol style="list-style-type: none"> <li>1. Circuit breaker is open.</li> <li>2. Poor connection or defective cord set.</li> <li>3. Connected device is bad.</li> <li>4. Fault in generator.</li> <li>5. GFCI trips the 20 Amp outlet.</li> </ol>	<ol style="list-style-type: none"> <li>1. Reset circuit breaker.</li> <li>2. Check and repair.</li> <li>3. Connect another device that is in good condition.</li> <li>4. Contact Authorized Service Facility.</li> <li>5. Repair the "short" and reset the GFCI.</li> </ol>
Engine runs good but bogs down when loads are connected.	<ol style="list-style-type: none"> <li>1. Short circuit in a connected load.</li> <li>2. Generator is overloaded.</li> <li>3. Engine speed is too slow.</li> <li>4. Shorted generator circuit.</li> </ol>	<ol style="list-style-type: none"> <li>1. Disconnect shorted electrical load.</li> <li>2. See "Don't Overload the Generator".</li> <li>3. Contact Authorized Service Facility.</li> <li>4. Contact Authorized Service Facility.</li> </ol>
Engine will not crank.	<ol style="list-style-type: none"> <li>1. Battery weak or dead.</li> </ol>	<ol style="list-style-type: none"> <li>1. Recharge or replace battery (see "No Battery Charger DC output" at bottom of guide).</li> <li>2. Start engine manually using recoil starter.</li> </ol>
Engine will not start; or starts and runs rough.	<ol style="list-style-type: none"> <li>1. Fuel shut-off is OFF.</li> <li>2. Dirty air cleaner.</li> <li>3. Out of gasoline.</li> <li>4. Stale gasoline.</li> <li>5. Spark plug wire not connected to spark plug.</li> <li>6. Bad spark plug.</li> <li>7. Water in gasoline.</li> <li>8. Over-choking.</li> <li>9. Low oil level.</li> <li>10. Excessive rich fuel mixture.</li> <li>11. Intake valve stuck open or closed.</li> <li>12. Engine has lost compression.</li> </ol>	<ol style="list-style-type: none"> <li>1. Turn Fuel shut-off ON.</li> <li>2. Clean or replace air cleaner.</li> <li>3. Fill fuel tank.</li> <li>4. Drain fuel tank and fill with fresh fuel.</li> <li>5. Connect wire to spark plug.</li> <li>6. Replace spark plug.</li> <li>7. Drain fuel tank; fill with fresh fuel.</li> <li>8. Put choke knob to <b>No Choke</b> position.</li> <li>9. Fill crankcase to proper level.</li> <li>10. Contact Authorized Service Facility.</li> <li>11. Contact Authorized Service Facility.</li> <li>12. Contact Authorized Service Facility.</li> </ol>
Engine shuts down during operation.	<ol style="list-style-type: none"> <li>1. Out of gasoline.</li> <li>2. Low oil level.</li> <li>3. Fault in engine.</li> </ol>	<ol style="list-style-type: none"> <li>1. Fill fuel tank.</li> <li>2. Fill crankcase to proper level.</li> <li>3. Contact Authorized Service Facility.</li> </ol>
Engine lacks power.	<ol style="list-style-type: none"> <li>1. Load is too high.</li> <li>2. Dirty air filter.</li> <li>3. Engine needs to be serviced.</li> </ol>	<ol style="list-style-type: none"> <li>1. See "Don't Overload the Generator".</li> <li>2. Replace air filter.</li> <li>3. Contact Authorized Service Facility.</li> </ol>
Engine "hunts" or falters.	<ol style="list-style-type: none"> <li>1. Choke is opened too soon.</li> <li>2. Carburetor is running too rich or too lean.</li> </ol>	<ol style="list-style-type: none"> <li>1. Move choke to halfway position until engine runs smoothly.</li> <li>2. Contact Authorized Service Facility.</li> </ol>
No Battery Charger DC output.	<ol style="list-style-type: none"> <li>1. Battery posts are corroded.</li> <li>2. Battery cable is bad.</li> <li>3. Battery is defective.</li> <li>4. Receptacle is bad.</li> <li>5. Battery Charger in-line fuse (1.5A) melted open.</li> </ol>	<ol style="list-style-type: none"> <li>1. Clean battery posts.</li> <li>2. Replace cable.</li> <li>3. Check battery condition; replace if defective.</li> <li>4. Contact Authorized Service Facility.</li> <li>5. Replace fuse with identical 1.5A replacement fuse only (located inside control panel).</li> </ol>





## CALIFORNIA AND FEDERAL EMISSION CONTROL WARRANTY STATEMENT YOUR WARRANTY RIGHTS AND OBLIGATIONS

The California Air Resources Board (CARB) and the United States Environmental Protection Agency (EPA), together with Generac Power Systems, Inc. (Generac), are pleased to explain the Emission Control System warranty on your new 2008 and later generator. New equipment that use small spark-ignited engines must be designed, built, and equipped to meet stringent anti-smog standards for the state of California and the federal government. Generac will warrant the emission control system on your generator for the period of time listed below provided there has been no abuse, neglect, unapproved modification or improper maintenance of your equipment.

Your emission control system may include parts such as the: carburetor, ignition system, catalytic converter, fuel tank, fuel lines, fuel cap, valves, carbon canister, filters, vapor hoses, clamps, connectors, and other associated emission-related components (if equipped).

### MANUFACTURER'S WARRANTY COVERAGE:

This emission control system is warranted for two years. If, during such warranty period, any emission-related part on your equipment is found to be defective in materials or workmanship, repairs or replacement will be performed by a Generac Authorized Warranty Service Dealer.

### OWNER'S WARRANTY RESPONSIBILITIES:

As the generator owner, you are responsible for the completion of all required maintenance as listed in your factory supplied Owner's Manual. For warranty purposes, Generac recommends that you retain all receipts covering maintenance on your generator, but Generac cannot deny warranty solely due to the lack of receipts.

As the generator owner, you should be aware that Generac may deny any and/or all warranty coverage or responsibility if your generator, or a part/component thereof, has failed due to abuse, neglect, improper maintenance or unapproved modifications, or the use of counterfeit and/or "grey market" parts not made, supplied or approved by Generac.

**You are responsible for contacting a Generac Authorized Warranty Dealer as soon as a problem occurs. The warranty repairs should be completed in a reasonable amount of time, not to exceed 30 days.**

Warranty service can be arranged by contacting either your selling dealer or a Generac Authorized Warranty Service Dealer. To locate the Generac Authorized Warranty Service Dealer nearest you, call our toll free number:

**1-800-333-1322**

**IMPORTANT NOTE:** This warranty statement explains your rights and obligations under the Emission Control System Warranty (ECS Warranty), which is provided to you by Generac pursuant to California and federal law. See also the "Generac Limited Warranties for Generac Power Systems, Inc.," which is enclosed herewith on a separate sheet, also provided to you by Generac. Note that this warranty shall not apply to any incidental, consequential or indirect damages caused by defects in materials or workmanship or any delay in repair or replacement of the defective part(s). This warranty is in place of all other warranties, expressed or implied. Specifically, Generac makes no other warranties as to the merchantability or fitness for a particular purpose. Some states do not allow limitations on how long an implied warranty lasts, so the above limitation may not apply to you.

The ECS Warranty applies **only** to the emission control system of your new equipment. If there is any conflict in terms between the ECS Warranty and the Generac Warranty, the Generac Warranty shall apply. Both the ECS Warranty and the Generac Warranty describe important rights and obligations with respect to your new engine.

Warranty service can be performed only by a Generac Authorized Warranty Service Facility. When requesting warranty service, evidence must be presented showing the date of the sale to the original purchaser/owner.

If you have any questions regarding your warranty rights and responsibilities, you should contact Generac at the following address:

**ATTENTION WARRANTY DEPARTMENT  
GENERAC POWER SYSTEMS, INC.  
P.O. BOX 297 • WHITEWATER, WI 53190**

## EMISSION CONTROL SYSTEM WARRANTY

Emission Control System Warranty (ECS warranty) for equipment using small spark-ignited engines:

- (a) **Applicability:** This warranty shall apply to equipment that uses small off-road engines. The ECS Warranty period shall begin on the date the new equipment is purchased by/delivered to its original, end-use purchaser/owner and shall continue for 24 consecutive months thereafter.
- (b) **General Emissions Warranty Coverage:** Generac warrants to the original, end-use purchaser/owner of the new engine or equipment and to each subsequent purchaser/owner that the ECS when installed was:
  - (1) Designed, built and equipped so as to conform with all applicable regulations; and
  - (2) Free from defects in materials and workmanship which cause the failure of a warranted part at any time during the ECS Warranty Period.
- (c) The warranty on emissions-related parts will be interpreted as follows:
  - (1) Any warranted part that is not scheduled for replacement as required maintenance in the Owner's Manual shall be warranted for the ECS Warranty Period. If any such part fails during the ECS Warranty Period, it shall be repaired or replaced by Generac according to Subsection (4) below. Any such part repaired or replaced under the ECS Warranty shall be warranted for the remainder of the ECS Warranty Period.
  - (2) Any warranted part that is scheduled only for regular inspection as specified in the Owner's Manual shall be warranted for the ECS Warranty Period. A statement in the Owner's Manual to the effect of "repair or replace as necessary" shall not reduce the ECS Warranty Period. Any such part repaired or replaced under the ECS Warranty shall be warranted for the remainder of the ECS Warranty Period.
  - (3) Any warranted part that is scheduled for replacement as required maintenance in the Owner's Manual shall be warranted for the period of time prior to first scheduled replacement point for that part. If the part fails prior to the first scheduled replacement, the part shall be repaired or replaced by Generac according to Subsection (4) below. Any such emissions-related part repaired or replaced under the ECS warranty shall be warranted for the remainder of the period prior to the first scheduled replacement point for that part.
  - (4) Repair or replacement of any warranted, emissions-related part under this ECS Warranty shall be performed at no charge to the owner at a Generac Authorized Warranty Service Facility.
  - (5) Notwithstanding the provisions of subsection (4) above, warranty services or repairs must be provided at Generac Authorized Service Facilities.
  - (6) When the engine is inspected by a Generac Authorized Warranty Service Facility, the purchaser/owner shall not be held responsible for diagnostic costs if the repair is deemed warrantable.
  - (7) Throughout the ECS Warranty Period, Generac shall maintain a supply of warranted emission-related parts sufficient to meet the expected demand for such parts.
  - (8) Any Generac authorized and approved emission-related replacement parts may be used in the performance of any ECS warranty maintenance or repairs and will be provided without charge to the purchaser/owner. Such use shall not reduce Generac ECS Warranty obligations.
  - (9) Unapproved, add-on, modified, counterfeit and/or "grey market" parts may not be used to modify or repair a Generac engine. Such use voids this ECS Warranty and shall be sufficient grounds for disallowing an ECS Warranty claim. Generac shall not be held liable hereunder for failures of any warranted parts of Generac equipment caused by the use of such an unapproved, add-on, modified, counterfeit and/or "grey market" part.

### EMISSION RELATED PARTS MAY INCLUDE THE FOLLOWING (IF EQUIPPED):

- |   |  |
|---|--|
| <ol style="list-style-type: none"> <li>1) FUEL SYSTEM               <ol style="list-style-type: none"> <li>A. FUEL TANK</li> <li>B. FUEL CAP</li> <li>C. FUEL LINE</li> <li>D. FUEL LINE FITTINGS</li> <li>E. CLAMPS*</li> <li>F. PRESSURE RELIEF VALVES*</li> </ol> </li> <li>2) EVAPORATIVE CONTROL SYSTEM               <ol style="list-style-type: none"> <li>A. CARBON CANISTER</li> <li>B. CANISTER MOUNTING BRACKETS</li> <li>C. CARBURETOR PURGE PORT</li> <li>D. CONTROL VALVES*</li> <li>E. VAPOR HOSES</li> <li>F. PURGE VALVES</li> <li>G. LIQUID / VAPOR SEPARATOR</li> <li>H. VACUUM CONTROL DIAPHRAGMS*</li> </ol> </li> </ol> | <ol style="list-style-type: none"> <li>3) FUEL METERING SYSTEM               <ol style="list-style-type: none"> <li>A. CARBURETOR AND INTERNAL PARTS</li> <li>B. PRESSURE REGULATOR</li> </ol> </li> <li>4) AIR INDUCTION SYSTEM               <ol style="list-style-type: none"> <li>A. INTAKE MANIFOLD</li> <li>B. AIR FILTER</li> </ol> </li> <li>5) IGNITION SYSTEM               <ol style="list-style-type: none"> <li>A. SPARK PLUGS</li> <li>B. IGNITION COILS / MODULE</li> </ol> </li> <li>6) AIR INJECTION SYSTEM               <ol style="list-style-type: none"> <li>A. PULSE AIR VALVE</li> </ol> </li> <li>7) EXHAUST SYSTEM               <ol style="list-style-type: none"> <li>A. CATALYST</li> <li>B. THERMAL REACTOR</li> <li>C. EXHAUST MANIFOLD</li> </ol> </li> </ol> |
|---|--|

\*NOTE: As they relate to the Emission Control System.

# Warranty

## GENERAC POWER SYSTEMS "TWO YEAR" LIMITED WARRANTY FOR XG SERIES PORTABLE GENERATORS

For a period of two years from the date of original sale, Generac Power Systems, Inc. (Generac) warrants its XG Series generators will be free from defects in materials and workmanship for the items and period set forth below. Generac will, at its option, repair or replace any part which, upon examination, inspection and testing by Generac or a Generac Authorized Warranty Service Dealer, is found to be defective. Any equipment that the purchaser/owner claims to be defective must be returned to and examined by the nearest Generac Authorized Warranty Service Dealer. All transportation costs under the warranty, including return to the factory, are to be borne and prepaid by the purchaser/owner. This warranty applies only to Generac XG Series portable generators and is not transferable from original purchaser. Save your proof-of-purchase receipt. If you do not provide proof of the initial purchase date, the manufacturer's shipping date of the product will be used to determine the warranty period.

### WARRANTY SCHEDULE

Consumer applications are warranted for two (2) years. Commercial and Rental applications are warranted for one (1) year or 1000 hours maximum, whichever comes first.

#### CONSUMER APPLICATION

YEAR ONE - 100% (one hundred percent) coverage on Labor and Part(s) (proof of purchase and maintenance is required):

- All Components

YEAR TWO- 100% (one hundred percent) coverage on Part(s) (proof of purchase and maintenance is required):

- All Components

#### COMMERCIAL/RENTAL APPLICATION

YEAR ONE – 100% (one hundred percent) coverage on Labor and Part(s) (proof of purchase and maintenance is required):

- All Components

**NOTE:** For the purpose of this warranty "consumer use" means personal residential household or recreational use by original purchaser. This warranty does not apply to units used for Prime Power in place of utility where utility power service is present or where utility power service does not normally exist. Once a generator has experienced commercial or rental use, it shall thereafter be considered a non-consumer use generator for the purpose of this warranty.

All warranty expense allowances are subject to the conditions defined in Generac's Warranty Policies, Procedures and Flat Rate Manual.

### THIS WARRANTY SHALL NOT APPLY TO THE FOLLOWING:

- Generac portable generators that utilize non-Generac replacement parts.
- Costs of normal maintenance and adjustments.
- Failures caused by any contaminated fuels, oils or lack of proper oil levels.
- Repairs or diagnostics performed by individuals other than Guardian/Generac authorized dealers not authorized in writing by Generac Power Systems.
- Failures due, but not limited, to normal wear and tear, accident, misuse, abuse, negligence or improper use. As with all mechanical devices, the Generac engines need periodic part(s) service and replacement to perform as designed. This warranty will not cover repair when normal use has exhausted the life of a part(s) or engine.
- Failures caused by any act of God and other force majeure events beyond the manufactures control.
- Damage related to rodent and/or insect infestation.
- Products that are modified or altered in a manner not authorized by Generac in writing.
- Any incidental, consequential or indirect damages caused by defects in materials or workmanship, or any delay in repair or replacement of the defective part(s).
- Failure due to misapplication.
- Telephone, cellular phone, facsimile, internet access or other communication expenses.
- Living or travel expenses of person(s) performing service, except as specifically included within the terms of a specific unit warranty period.
- Expenses related to "customer instruction" or troubleshooting where no manufacturing defect is found.
- Rental equipment used while warranty repairs are being performed.
- Overnight freight or special shipping costs for replacement part(s).
- Overtime, holiday or emergency labor.
- Starting batteries, fuses, filters, light bulbs and engine fluids.

THIS WARRANTY IS IN PLACE OF ALL OTHER WARRANTIES, EXPRESSED OR IMPLIED, SPECIFICALLY, GENERAC POWER SYSTEMS MAKES NO OTHER WARRANTIES AS TO THE MERCHANTABILITY OR FITNESS FOR A PARTICULAR PURPOSE. Any implied warranties which are allowed by law, shall be limited in duration to the terms of the express warranty provided herein. Some states do not allow limitations on how long an implied warranty lasts, so the above limitation may not apply to purchaser/owner.

GENERAC POWER SYSTEMS ONLY LIABILITY SHALL BE THE REPAIR OR REPLACEMENT OF PART(S) AS STATED ABOVE. IN NO EVENT SHALL GENERAC POWER SYSTEMS BE LIABLE FOR ANY INCIDENTAL, OR CONSEQUENTIAL DAMAGES, EVEN IF SUCH DAMAGES ARE A DIRECT RESULT OF GENERAC POWER SYSTEMS, INC. NEGLIGENCE. Some states do not allow the exclusion or limitation of incidental or consequential damages, so the above limitations may not apply to purchaser/owner. Purchaser/owner agrees to make no claims against Generac Power Systems, Inc. based on negligence. This warranty gives purchaser/owner specific legal rights. Purchaser/owner also may have other rights that vary from state to state.

**GENERAC POWER SYSTEMS, INC.**  
**P.O. BOX 8 • Waukesha, WI 53187**

**Ph: (888) GENERAC (436-3722) • Fax: (262) 544-4851**

**To locate the nearest Authorized Dealer visit our website [www.generac.com](http://www.generac.com)**

Part No. 0H5472

Revision B (10/20/09)

Printed in U.S.A.

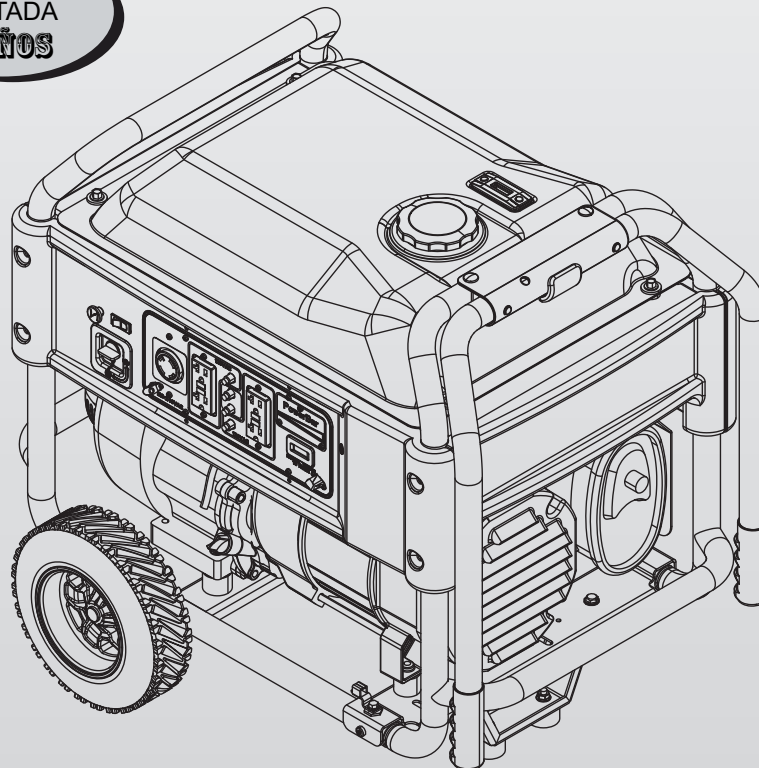
# GENERAC®

MODELO: 005796-0 (XG6500), 005797-0 (XG7000),  
005798-0 (XG7000E), 005800-0 (XG8000),  
005747-0 (XG8000E)

# Manual del propietario

## XG Series Generador portátil de 6,500-8,000 vatios

GARANTÍA  
LIMITADA  
**2 AÑOS**



[www.generac.com](http://www.generac.com) or 1-888-436-3722



# Tabla de contenidos

<b>Introducción</b> .....	<b>1</b>
<b>Lea este manual completamente</b> .....	<b>1</b>
<b>Reglas de seguridad</b> .....	<b>1</b>
Índice de estándares .....	3
<b>Información General</b> .....	<b>4</b>
1.1 Desempaque.....	4
1.1.1 Caja de accesorios .....	4
1.2 Ensamble.....	4
1.2.1 Ensamblaje de la rueda.....	4
<b>Operación</b> .....	<b>5</b>
2.1 Conociendo el generador.....	5
2.1.1 Conexión de la batería.....	6
2.2 Medidor de horas.....	6
2.3 Juego de cables y conectores .....	6
2.3.1 Receptáculo dúplex de 120 VAC, 20 Amp.....	6
2.3.4 Receptáculo de 120/240 VAC, 30 Amp.....	6
2.4 Cómo usar este generador .....	7
2.4.1 Tierra del sistema .....	7
2.4.2 Conexión a tierra del generador.....	7
2.4.3 Conexión a tierra del neutro al marcos .....	8
2.4.4 Conexión de las cargas eléctricas .....	8
2.5 No sobrecargue el generador.....	8
2.6 Guía de referencia de potencias .....	8
2.7 Antes de arrancar el generador.....	9
2.7.1 Agregar aceite de motor.....	9
2.7.2 Añadir gasolina.....	9
2.8 Arranque del motor .....	10
2.8.1 Arranque manual (recule).....	10
2.8.2 Arranque eléctrico (XG7000E & SG8000E).....	10
2.9 Detener el motor .....	10
2.10 Sistema de apagado por baja presión de aceite .....	11
2.10.1 Reiniciar .....	11
2.11 Carga de la batería .....	11

<b>Mantenimiento</b> .....	<b>11</b>
3.1 Cronograma de mantenimiento.....	11
3.2 Especificaciones del producto .....	11
3.2.1 Especificaciones del generador.....	11
3.2.2 Especificaciones del motor .....	12
3.2.3 Información sobre emisiones .....	12
3.3 Recomendaciones generales.....	12
3.3.1 Mantenimiento del generador .....	12
3.3.2 Para Limpiar el generador .....	12
3.3.3 Mantenimiento del motor .....	12
3.3.4 Revisar el nivel de aceite.....	13
3.3.5 Cambio de aceite y filtro de aceite .....	13
3.3.6 Reemplazo de la bujía.....	13
3.4 Dar servicio al limpiador de aire .....	13
3.5 Limpiar pantalla del supresor de chispa.....	13
3.6 General .....	14
3.7 Almacenamiento a largo plazo.....	14
3.8 Otros consejos para almacenamiento .....	14

## **Servicio a la batería** .....

4.1 Reemplazo de la batería (XG7000E & XG8000E) .....	15
---	----

## **Detección de problemas** .....

5.1 Guía de detección de problemas .....	16
--	----

## **Notas** .....

## **Garantía**.....

### **ADVERTENCIA DE LA PROPOSICIÓN 65 DE CALIFORNIA**

**El Estado de California sabe que el escape del motor y algunos de sus componentes causan cáncer, defectos de nacimiento y otros daños reproductivos.**

### **ADVERTENCIA DE LA PROPOSICIÓN 65 DE CALIFORNIA**

**Este producto contiene o emite químicos que el Estado de California sabe que causan cáncer, defectos de nacimiento u otros daños reproductivos.**

## INTRODUCCIÓN

Gracias por comprar este modelo de Generac Power Systems, Inc. Este modelo es un generador impulsado por motor, refrigerado por aire, compacto y de alto rendimiento diseñado para proporcionar energía eléctrica para operar cargas eléctricas donde no haya servicio público de electricidad o en reemplazo de la red eléctrica en caso de apagones.

## LEA ESTE MANUAL COMPLETAMENTE

Si alguna parte de este manual no se entiende bien, póngase en contacto con el concesionario autorizado más cercano para conocer los procedimientos de arranque, operación y servicio.

El operador es responsable del uso apropiado y seguro de este equipo. Recomendamos encarecidamente que el operador lea este manual y entienda completamente todas las instrucciones antes de usar este equipo. Asimismo recomendamos con igual firmeza el instruir a otros usuarios para arrancar y operar apropiadamente la unidad. Esto los prepara si necesitan operar el equipo en alguna emergencia.

El generador puede operar en forma segura, eficiente y confiable sólo si se le ubica, se le opera y mantiene en forma apropiada. Antes de operar o dar servicio al generador:

- Familiarícese y adhiérase estrictamente a todos los códigos y regulaciones locales, estatales y nacionales.
- Estudie todas las advertencias de seguridad en este manual y en el producto con mucho cuidado.
- Familiarícese con este manual y la unidad antes de usarla.

El fabricante no puede anticipar todas las posibles circunstancias que puedan involucrar peligros. Las advertencias en este manual y en las etiquetas y calcomanías fijadas en la unidad son, por tanto, no completamente inclusivas. Si se usa un procedimiento, método de trabajo o técnica de operación que el fabricante no recomienda específicamente, asegúrese de que sea seguro para los demás. Asimismo asegúrese que el procedimiento, método de trabajo o técnica de operación utilizada no vuelva inseguro al generador.

LA INFORMACIÓN CONTENIDA AQUÍ SE BASÓ EN MÁQUINAS EN PRODUCCIÓN AL MOMENTO DE LA PUBLICACIÓN. GENERAC SE RESERVA EL DERECHO DE MODIFICAR ESTE MANUAL EN CUALQUIER MOMENTO.

## REGLAS DE SEGURIDAD

A lo largo de esta publicación, y en lo que respecta a las etiquetas y calcomanías fijadas en el generador, los bloques de PELIGRO, ADVERTENCIA, CUIDADO Y NOTA se usan para alertar al personal sobre instrucciones especiales sobre una operación en particular que puede ser peligrosa si se ejecuta en forma incorrecta o sin cuidado. Obsérvelas con cuidado. Sus definiciones son como sigue:

### PELIGRO

**INDICA UNA SITUACIÓN PELIGROSA O ACCIÓN QUE, SI NO SE EVITA, TRAERÁ COMO RESULTADO LA MUERTE O UN DAÑO SERIO.**

### ADVERTENCIA

**Indica una situación peligrosa o acción que, si no se evita, podría traer como resultado la muerte o un daño serio.**

## CUIDADO


**Indica una situación peligrosa o acción que, si no se evita, puede traer como resultado un daño menor o moderado.**

### NOTA:

**Las notas contienen información adicional importante para un procedimiento y se les encontrará dentro del cuerpo de este manual.**

Estas advertencias de seguridad no pueden eliminar los peligros que indican. El sentido común y un estricto cumplimiento de las instrucciones especiales cuando se realiza la acción o servicio son esenciales para evitar accidentes.

Cuatro símbolos de seguridad usados comúnmente acompañan los bloques de **PELIGRO, ADVERTENCIA y CUIDADO**. El tipo de información que cada uno indica es como sigue:

 Este símbolo señala importante información de seguridad que, si no se sigue, puede poner en peligro la seguridad personal y/o las propiedades de otros.

 Este símbolo indica un peligro potencial de explosión.

 Este símbolo indica un peligro potencial de incendio.

 Este símbolo indica un peligro potencial de choque eléctrico.

## PELIGROS GENERALES

- Nunca opere en áreas cerradas o interiores.
- Por razones de seguridad, el fabricante recomienda que el mantenimiento de este equipo sea llevado a cabo por un concesionario autorizado. Inspeccione el generador con regularidad, y póngase en contacto con el concesionario autorizado más cercano si necesita repararlo o conseguir repuestos
- Opere el generador sólo en superficies planas y donde no esté expuesto a excesiva humedad, suciedad, polvo o vapores corrosivos.
- Mantenga las manos, pies, ropa, etc. lejos de las correas de tracción, ventiladores y otras partes móviles o calientes. Nunca retire ninguna protección de ventilador mientras la unidad esté operando.
- Algunas partes de este generador se calientan mucho durante la operación. Mantenga distancia del generador hasta que se haya enfriado para evitar quemaduras severas.
- NO opere el generador en la lluvia.
- No altere la construcción del generador ni cambie los controles de modo que puedan crear una condición de operación no segura.
- Nunca arranque o detenga la unidad con cargas eléctricas conectadas a las tomas Y con dispositivos conectados y encendidos. Arranque el motor y deje que se estabilice antes de conectar las cargas eléctricas. Desconecte todas las cargas eléctricas antes de apagar el generador
- No inserte objetos a través de las ranuras de enfriamiento de la unidad.
- Al trabajar con este equipo, manténgase alerta en todo momento. Nunca trabaje en el equipo cuando esté física o mentalmente fatigado.
- Nunca use el generador ni alguna de sus partes como escalón. Pararse sobre la unidad puede tensar y romper partes, y puede traer como resultado condiciones peligrosas de operación como escape de gases, combustible o aceite.

# Instrucciones de seguridad importantes

**!** Guarde estas instrucciones – El fabricante sugiere que estas reglas para la operación segura se copien y publiquen cerca del sitio de instalación de la unidad. Debe insistirse en la seguridad para todos los operadores y potenciales operadores de este equipo

- En los modelos de arranque eléctrico, desconecte el cable de batería POSITIVO (+) del arrancador del motor O el cable de batería NEGATIVO (-) del terminal de la batería, lo que sea más fácil, antes de transportar el generador.

## NOTA:

Este generador está equipado con un silenciador de supresor de chispa. El dueño o el operador deben mantener el supresor de chispa en correcto estado de funcionamiento. En el Estado de California, se requiere por ley un supresor de chispa (Sección 4442 del Código de Recursos Públicos de California). Otros estados pueden tener leyes similares. Las leyes federales se aplican en terrenos federales.

## PELIGROS DE ESCAPE & UBICACIÓN

- Nunca opere en áreas cerradas o interiores. **NUNCA** lo use en el hogar ni en áreas parcialmente encerradas como los garajes. Úselo **SÓLO** en exteriores y lejos de ventanas abiertas, puertas, ductos de ventilación y en áreas que no acumularán el mortal gas del escape.

<b>! PELIGRO</b>	
<b>Si usa un generador en interiores, MORIRÁ EN POCOS MINUTOS.</b>	
El escape del generador contiene monóxido de carbono. Es un veneno que no tiene olor ni se puede ver.	
	
<b>NUNCA</b> lo use dentro de una casa o garaje, AUN si las puertas y ventanas están abiertas.	<b>Sólo úselo EN EXTERIORES</b> y lejos de ventanas, puertas y ductos de ventilación.

- Los humos del escape del motor contienen monóxido de carbono. Este gas peligroso, si se aspira en concentraciones suficientes, puede hacerle perder la conciencia y causarle la muerte. Este sistema de escape debe tener un apropiado mantenimiento
- El flujo adecuado y sin obstrucciones de aire para ventilación y refrigeración es crítico para la correcta operación del generador. No altere la instalación ni permita que haya siquiera un bloqueo parcial de la provisión de ventilación, ya que esto puede afectar seriamente la operación segura del generador. El generador DEBE ser operado en exteriores.
- Este sistema de escape debe tener un apropiado mantenimiento. No haga nada que pueda poner en peligro la seguridad del escape o que no cumpla con algún código local o estándar.
- El fabricante recomienda instalar una alarma de monóxido de carbono operada con baterías en los interiores, de acuerdo a las instrucciones del fabricante.
- Si se empieza a sentir mal, enfermo, mareado o débil luego de que el generador haya estado funcionando, muévase al aire fresco **INMEDIATAMENTE**. Vaya donde un médico, ya que pudiera usted haber sido envenenado con monóxido de carbono.

## PELIGROS ELÉCTRICOS

- El generador produce un voltaje peligrosamente alto que puede causar descargas eléctricas extremadamente peligrosas. El generador produce voltajes peligrosamente altos al operar. Evite el contacto con cables pelados, terminales conexiones, etc. mientras la unidad está funcionando, inclusive en el equipo conectado al generador. Asegúrese que todas las cubiertas, protecciones y barreras apropiadas se encuentren en su lugar antes de operar el generador.
- No manipule ningún tipo de dispositivo eléctrico mientras esté de pie sobre agua, con los pies descalzos o con las manos o pies húmedos. **PUEDA HABER UNA DESCARGA ELÉCTRICA COMO RESULTADO.**
- El Código Eléctrico Nacional (NEC) requiere que el marco y las partes externas que son conductores eléctricos estén conectadas en forma apropiada a una conexión a tierra aprobada. Los códigos eléctricos locales pueden asimismo requerir una apropiada conexión a tierra del generador. Consulte con un electricista local los requerimientos de conexión a tierra para su área.
- Use un circuito interruptor de falla de tierra en cualquier área húmeda o altamente conductiva (como estanterías de metal o trabajos en acero).
- No use cables eléctricos gastados, pelados, deshilachados o de algún modo dañados con el generador.
- Antes de realizar cualquier mantenimiento al generador, desconecte los cables de batería de arranque del motor (si los hubiera) para evitar un arranque accidental. Desconecte primero el cable del borne de la batería indicado como NEGATIVO, NEG; o (-). Reconecte ese cable al final.
- En caso de un accidente causado por descarga eléctrica, apague inmediatamente la fuente de energía eléctrica. Si esto no es posible, intente liberar a la víctima del conductor vivo. **EVITE EL CONTACTO DIRECTO CON LA VÍCTIMA.** Use un implemento no conductivo, como una soga o una tabla, para liberar a la víctima del conductor vivo. Si la víctima está inconsciente, aplique los primeros auxilios y consiga ayuda médica inmediatamente.

## PELIGRO DE INCENDIO

- **La gasolina es altamente INFLAMABLE y sus vapores son EXPLOSIVOS. No permita que fumen, haga fuegos abiertos, chispas o calor en la vecindad mientras manipula gasolina.**
- Nunca añada gasolina mientras la unidad está funcionando o está caliente. Deje enfriar al motor completamente antes de añadir combustible.
- **Nunca llene el tanque de combustible en el interior de la casa.** Cumpla todas las leyes que regulan el almacenamiento y manipulación de gasolina.
- **No sobrecargue el tanque de combustible. Deje siempre espacio para la expansión del combustible.** Si el tanque está sobrecargado, el combustible puede desparramarse sobre el motor caliente y causar un **INCENDIO** o una **EXPLOSIÓN**. Nunca almacene el generador con combustible en el tanque donde los vapores de la gasolina pueden alcanzar llamas abiertas, chispas o fuegos piloto (como en una chimenea, calentador de agua o secador de ropa). Puede generarse un **INCENDIO** o una **EXPLOSIÓN**. Deje enfriar la unidad completamente antes de almacenarse.

## Instrucciones de seguridad importantes

- Limpie cualquier derrame de combustible inmediatamente. Asegúrese de que no se haya dejado materiales combustibles sobre o cerca del generador. Mantenga el área circundante del generador limpia y libre de residuos y conserve un espacio de cinco (5) pies a todos los lados para permitir una ventilación apropiada del generador.
- No opere el generador si los dispositivos eléctricos conectados se sobrecalientan, si la salida eléctrica se pierde, si el motor o el generador echan chispas o si se observa humo cuando la unidad está funcionando.
- Tenga un extinguidor cerca al generador en todo momento.

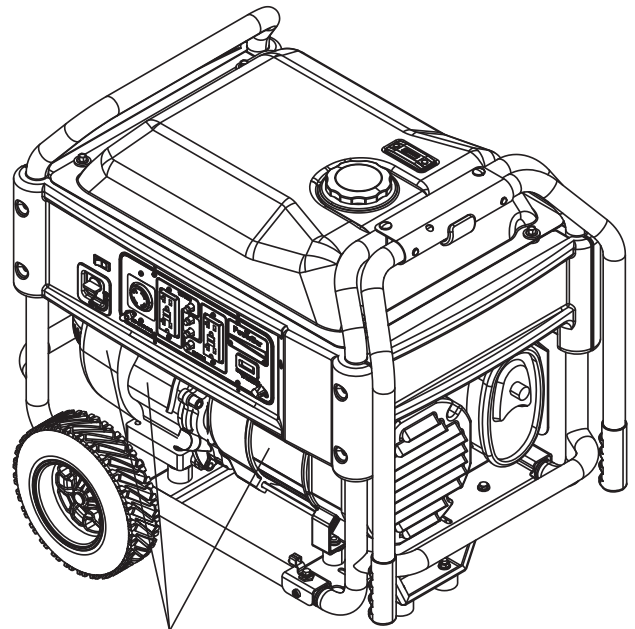
### ÍNDICE DE ESTÁNDARES

En ausencia de los estándares, códigos, regulaciones o leyes pertinentes, la información publicada listada abajo puede usarse como guía para la operación de este equipo. Siempre consulte la revisión más reciente aplicable para el estandar listado.

1. NFPA No. 70, NFPA HANDBOOK OF NATIONAL ELECTRIC CODE.
2. Article X, NATIONAL BUILDING CODE, disponible en la American Insurance Association, 85 John Street, New York, N.Y. 10038.
3. AGRICULTURAL WIRING HANDBOOK, disponible en la Food and Energy Council, 909 University Avenue, Columbia, MO 65201.
4. ASAE EP-3634, INSTALLATION AND MAINTENANCE OF FARM STANDBY ELECTRICAL SYSTEMS, disponible en la American Society of Agricultural Engineers, 2950 Niles Road, St. Joseph, MI 49085.
5. NFPA No. 30, FLAMMABLE AND COMBUSTIBLE LIQUIDS CODE.

MODELO NO:	
SERIE NO:	

### *Paca de ID del generador*



### PLACA DE IDENTIFICACIÓN

## 1.1 DESEMPAQUE

- Retire todo el material de empaque.
- Retire la caja separada de accesorios.
- Retire la caja del generador.

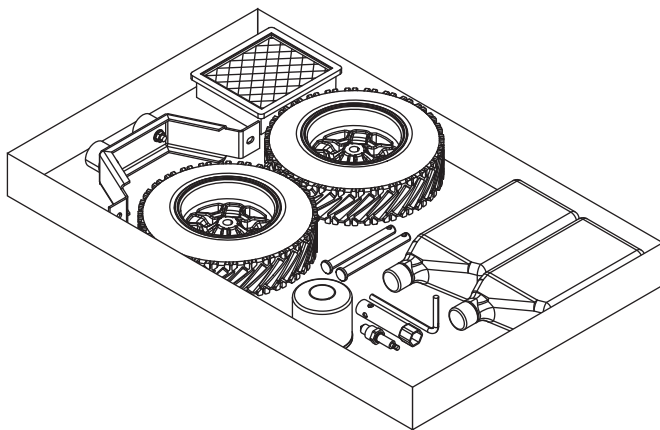
### 1.1.1 CAJA DE ACCESORIOS

Revise todo el contenido (figura 1). Si alguna parte no se encuentra o está dañada, ubique a un concesionario autorizado en el telf. 1-888-775-6937.

El contenido incluye:

- 2 – Pasadores del eje
- 2 – Espaciadores de rueda
- 2 – Pasadores de cabello
- 2 – Ruedas
- 1 – Pata del marco
- 2 – Montajes de vibración
- 2 – Tornillo del marco
- 4 – Tuercas de reborde
- 2 botellas de 1 cuarto de galón de aceite SAE 30
- Filtro del Aceite
- Filtro de aire
- Bujía
- Llave de bujías
- Toalla de taller
- 2 – Arandela del marco
- Chimenea de aceite
- Conector carga adaptador de 12 VDC

**Figura 1 – Cajas de accesorios**



## 1.2 ENSAMBLE

Lea el manual completo antes de intentar ensamblar u operar el generador. El generador requiere algún ensamble antes de usarse. Si se presentan problemas al ensamblar el generador, por favor llame a la Generator Helpline al 1-888-775-6937.

### 1.2.1 ENSAMBLAJE DE LA RUEDA

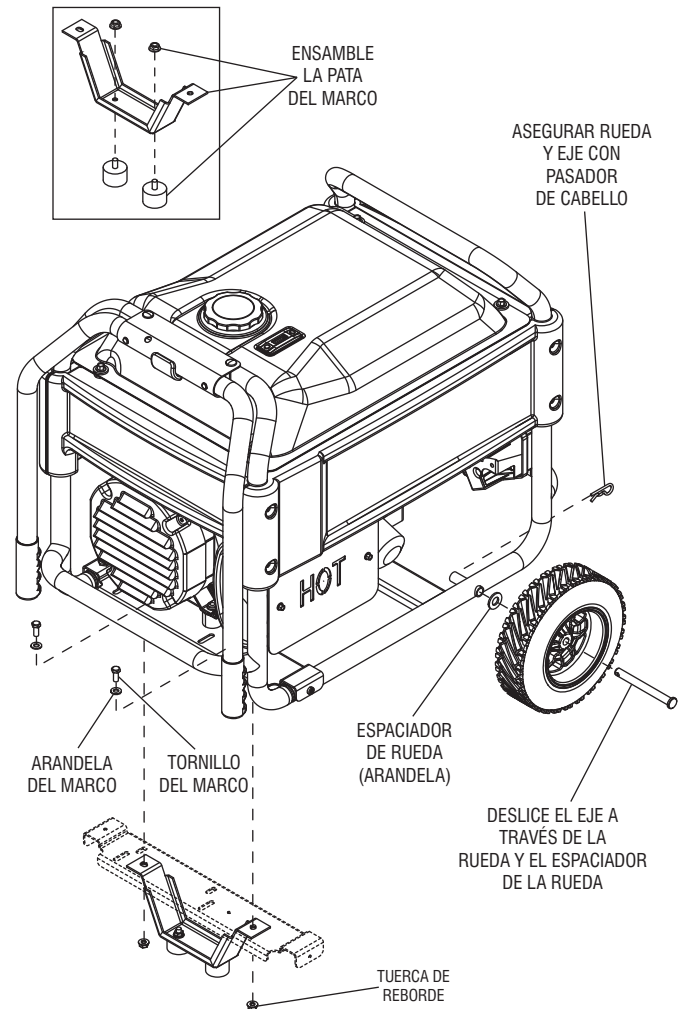
El kit de la rueda está diseñado para mejorar en gran medida la portabilidad del generador. Usted necesitará las siguientes herramientas para instalar el kit de la rueda: Pinzas, llave de 1/2" (13 mm) y una llave de dado con un dado de 1/2" (13 mm).

#### NOTA:

*El kit de ruedas no está diseñado para su uso en las pistas.*

- Consulte la figura 2 e instale el juego de rueda y la pata del marco como sigue:
- Deslice el pasador del eje a través de la rueda, el espaciador de la rueda (arandela) y el marco.
- Instale el pasador de cabello al pasador del eje para asegurar la rueda. Repita para el lado opuesto.
- Asegure los montajes de vibración a la pata del marco con las tuercas de cierre incluidas.
- Para instalar la pata del marco, instale los pernos del marco a través de las arandelas, en marco y la pata. Asegure con las tuercas de reborde.

**Figura 2 – Rueda y La Plata Del Marco**





## 2.1 CONOCIENDO EL GENERADOR

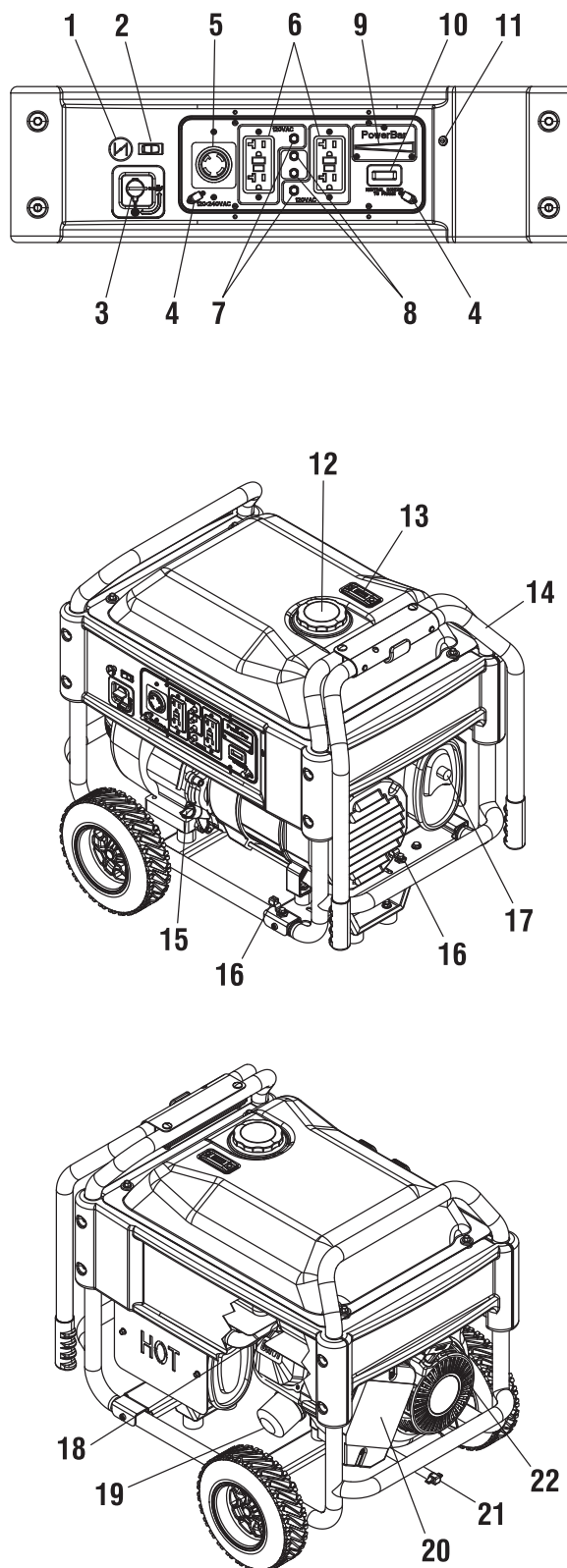
Lea completamente el manual del propietario y las reglas de seguridad antes de operar este generador.

Compare el generador con las figuras de la 3 a la 5 para familiarizarse con las ubicaciones de los diversos controles y ajustes. Guarde este manual para referencias futuras.

1. **Palanca de choke** – Arrancar un motor frío (jalar/empujar).
2. **Interruptor del motor** – Controla la operación del generador. En los modelos de arranque eléctrico el interruptor es Start/Run/Stop (arranque/funcionamiento/detener). En los modelos de arranque manual de recule, el interruptor es On/Off (encendido/apagado).
3. **Limpiador de aire** – Filtra el aire de ingreso al motor.
4. **LED del panel** – Proporcionan iluminación al panel de control mientras el generador está operando.
5. **Receptáculo con cierre de 120/240 Volt AC, 30 Amp** – Proporciona energía eléctrica para la operación de cargas de iluminación eléctrica, aparatos, herramientas o motores de 120 y/o 240 Volt AC, 30 Amp, monofásicos de 60 Hz.
6. **Receptáculo dúplex GFCI de 120 VAC, 20 A** – Proporciona energía eléctrica para la operación de cargas de iluminación eléctrica, aparatos, herramientas o motores de 120 VAC, 20 A monofásicos de 60 Hz. También proporciona protección con un Interruptor Integral de Circuito de Falla de Tierra, completo con unapresión a los botones "Test" y "Reset".
7. **Interruptores de circuito (AC)** – Cada receptáculo está provisto con un interruptor de circuito de presionar para reiniciar con el fin de proteger al generador contra sobrecargas eléctricas.
8. **Interruptores de circuito (AC)** –El receptáculo de 30 amps está protegido por un interruptor de circuito de palanca de 2 polos
9. **PowerBar** – Indica la cantidad de potencia que se usa del generador; cada sección es aproximadamente 25%
10. **Medidor de horas** – Proporciona las horas de operación para los intervalos de servicio.
11. **Entrada del cargador de batería (modelos de arranque eléctrico)** - Este receptáculo permite la capacidad de recargar la batería de 12 VCC de arranque del motor con el cargador de conector adaptador de 12 Voltios. La batería está protegida por un fusible en línea de 1.5 amperios que está dentro del panel de control.
12. **Tanque de combustible** – El tanque contiene hasta 9 galones americanos de combustible.
13. **Medidor de combustible** – Muestra el nivel de combustible en el tanque
14. **Manubrios** – Pivotea y se retracta para almacenarse. Presione los botones con resorte para mover los manubrios.
15. **Llenado de aceite** – Se revisa el nivel de aceite y se le agrega por aquí.
16. **Lengüeta de tierra** – Conecte el generador a una conexión a tierra aprobada desde aquí. Vea "Conectando el generador a tierra" para mayores detalles
17. **Silenciador** – Incluye el supresor de chispa y silencia el motor.
18. **Bujía** – Enciende la mezcla de aire/combustible
19. **Filtro de aceite del motor** – Filtra el aceite del motor; ver en la sección 3.1 los intervalos de servicio apropiados.
20. **Limpiador de aire** – Filtra el aire de ingreso al motor.
21. **Drenaje de aceite** – Válvula de drenaje para retirar el aceite usado del cárter del motor.

22. **Arranque de culata** – Use para arrancar el motor manualmente.

Figura 3 - Controles del generador



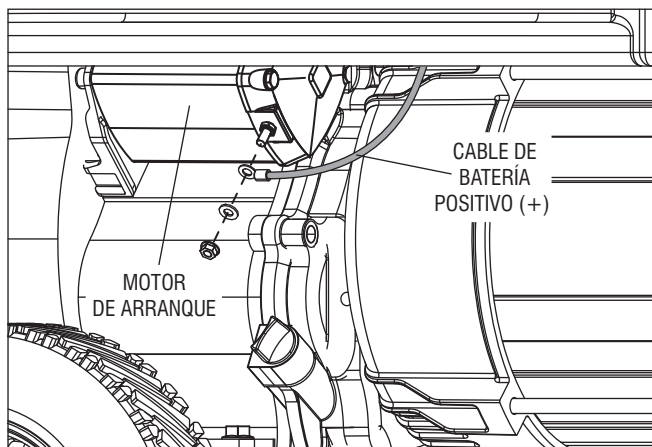
## 2.1.1 CONEXIÓN DE LA BATERÍA

### NOTA:

**La batería incluida en el generador ha sido cargada completamente. Una batería puede perder algo de su carga cuando no se le usa por tiempo prolongado. Si la batería es incapaz de arrancar el motor, conecte el cargador de 12 voltios incluido en la caja de accesorios (ver la sección Cargando una batería). EL HACER FUNCIONAR EL GENERADOR NO CARGA LA BATERÍA.**

Este cable fue dejado deliberadamente desconectado para el embarque. Para operar la unidad, una este cable al terminal en el motor arrancador como se muestra. No lo ajuste demasiado. Deslice la bota de goma adjunta sobre el terminal del arrancador. Vea la figura 4.

**Figura 4 - Conexiones de la batería**



## 2.2 MEDIDOR DE HORAS

El medidor de horas mide el tiempo de operación para seguir los mantenimientos programados.

Habrà un corte de una sola vez en el mensaje "CHG OIL" que destella con el tiempo pasado en horas y décimos luego de las primeras 30 horas de operación.

Este mensaje realmente empezará a destellar a las 29 horas y se dehabilitará a las 31 horas proporcionando una ventana de dos horas para realizar el servicio.

Luego habrá un mensaje de "CHG OIL" cada 100 horas. El mensaje destellará una hora antes y una hora después de cada intervalo de 100 horas, nuevamente proporcionando una ventana de dos horas para realizar el servicio.

Cada 200 horas el icono "SVC" en la esquina inferior izquierda de la pantalla destellará. El mensaje destellará una hora antes y una hora después de cada intervalo de 200 horas, proporcionando una ventana de dos horas para realizar el servicio.

Cuando el medidor de horas está en el modo de alerta de destello (Flash Alert), el mensaje de mantenimiento siempre alternará con el tiempo transcurrido en horas y décimos. Las horas destellarán cuatro veces, luego alternará con los mensajes de mantenimiento cuatro veces hasta que el medidor se reinicia.

- 100 hrs - CHG OIL — Intervalo cambio de aceite (c/100 hrs)
- 200 horas - SVC — Intervalo de filtro de aire (Cada 200 hrs)

## 2.3 JUEGO DE CABLES Y CONECTORES

### 2.3.1 RECEPTÁCULO DUPLEX GFCI DE 120 VAC, 20 AMP

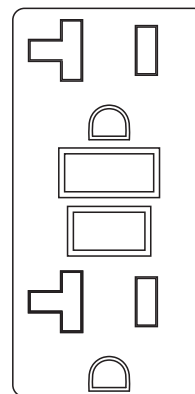
Esta es una toma de 120 voltios protegida contra sobrecarga por un interruptor de circuito de presionar para reiniciar de 20 amperios (figura 5). Use cada una de las tomas para alimentar cargas eléctricas de 120 volts, monofásicas de 60 Ha que requieran hasta una potencia combinada de 2,400 vatios (2.4 Kw) o 20 amperios de corriente. Use sólo juegos de cables de alta calidad, bien aislados, de tres conductores con conexión a tierra para 125 voltios a 20 amperios (o más).

Mantenga los cables de extensión lo más cortos posible, preferiblemente menos de 15 pies (5 metros) de largo, para evitar caídas de voltaje y posible sobrecalentamiento de los cables.

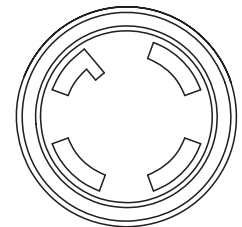
### 2.3.2 RECEPTÁCULO DE 120/240 VAC, 30 AMP

Use un conector NEMA L14-30 con este receptáculo (girar para cerrar/abrir). Conecte un juego de cables de 4 conductores con conexión a tierra al conector y a la carga deseada. El cable deberá ser de 250 VAC y 30 Amperios nominal (o más) (figura 5). Use este receptáculo para operar cargas monofásicas de 120 Voltios AC a 60 Hz que requieran hasta 3600 vatios (3.6 Kw) de potencia a 30 amperios o 240 VAC, 60 hz, monofásicas que requieran de 6.500 a 8,000 vatios, dependiendo del modelo. La toma está protegida por un interruptor de circuito de 30 Amp.

**Figura 5 - Receptáculo de 120/240 VAC, 30 Amp**



**Receptáculo dúplex  
GFCI de Volt 120 VAC,  
20Amp**



**Receptáculo de Volt  
120/240 VAC, 20Amp**

## 2.4 CÓMO USAR ESTE GENERADOR

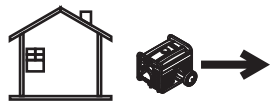
### ⚠ PELIGRO!

- ⚠ **Nunca opere en áreas cerradas o interiores. NUNCA lo use en el hogar ni en áreas parcialmente encerradas como los garajes. Úselo SOLO en exteriores y lejos de ventanas abiertas, puertas, ductos de ventilación y en áreas que no acumularán el mortal gas del escape.**
- ⚠ **Los humos del escape del motor contienen monóxido de carbono. Este gas peligroso, si se aspira en concentraciones suficientes, puede hacerle perder la conciencia y causarle la muerte. Este sistema de escape debe tener un apropiado mantenimiento**
- ⚠ **El flujo adecuado y sin obstrucciones de aire para ventilación y refrigeración es crítico para la correcta operación del generador. No altere la instalación ni permita que haya siquiera un bloqueo parcial de la provisión de ventilación, ya que esto puede afectar seriamente la operación segura del generador. El generador DEBE ser operado en exteriores.**
- ⚠ **Este sistema de escape debe tener un apropiado mantenimiento. No haga nada que pueda poner en peligro la seguridad del escape o que no cumpla con algún código local o estándar.**
- ⚠ **El fabricante recomienda instalar una alarma de monóxido de carbono operada con baterías en los interiores, de acuerdo a las instrucciones del fabricante.**

**⚠ PELIGRO**

Si usa un generador en interiores, **MORIRÁ EN POCOS MINUTOS.**

El escape del generador contiene monóxido de carbono. Es un veneno que no tiene olor ni se puede ver.

	
<p><b>NUNCA lo use dentro de una casa o garaje, AUN si las puertas y ventanas están abiertas.</b></p>	<p><b>Sólo úselo EN EXTERIORES y lejos de ventanas, puertas y ductos de ventilación.</b></p>

Si hay algún problema al operar el generador, por favor llame a la Generator Helpline al 1-888-GENERAC.

### 2.4.1 TIERRA DEL SISTEMA

El generador tiene una tierra de sistema que conecta los componentes del marco del generador a los terminales de tierra en los receptáculos de salida de CA. La tierra del sistema está unida al cable neutro de CA en el panel de control del generador a través de un cable jumper.

### Requerimientos especiales

Puede haber regulaciones federales o estatales respecto a la salud y seguridad ocupacional (OSHA), códigos locales, u ordenanzas que se apliquen al uso que se quiera dar al generador.

Por favor consulte con un electricista calificado, inspector eléctrico o la agencia local que tenga jurisdicción:

- En algunas áreas, los generadores deben ser registrados con las compañías locales de electricidad.
- Si el generador se usa en un sitio de construcción, puede haber regulaciones adicionales que se deban observar.

### Conexión al sistema eléctrico de un edificio

Las conexiones para la energía de respaldo en el sistema eléctrico de un edificio deberán ser realizadas por un electricista calificado. La conexión debe aislar la energía del generador de la energía del servicio público y otras fuentes alternativas de energía y debe cumplir con todas las leyes aplicables y códigos eléctricos.

### 2.4.2 CONEXIÓN A TIERRA DEL GENERADOR

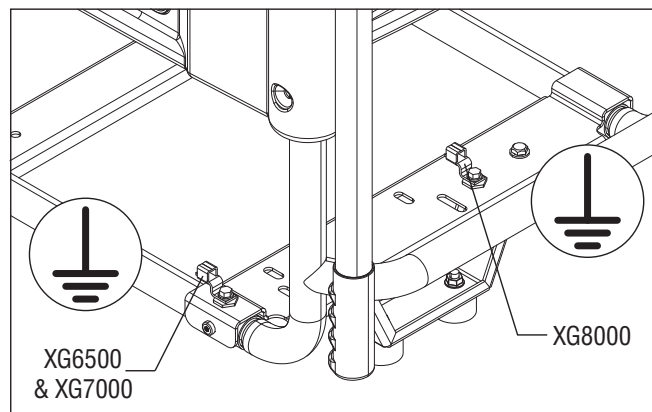
#### ⚠ ADVERTENCIA!

- ⚠ **El Código Eléctrico Nacional requiere que el marco y las partes externas de este generador que son conductores eléctricos estén conectadas en forma apropiada a una conexión a tierra aprobada (figura 6).**

Los códigos eléctricos locales pueden asimismo requerir una apropiada conexión a tierra de la unidad. Para este propósito, el conectar un conductor de cobre Nº 10 AWG trenzado a la tuerca de tierra y a una vara de bronce o cobre de tierra (electrodo) proporciona una protección adecuada contra descargas eléctricas. Sin embargo, los códigos locales pueden variar ampliamente. **Consulte con un electricista local los requerimientos de conexión a tierra para su área.**

La apropiada conexión a tierra del generador ayudará a evitar una **descarga eléctrica** en el caso en que se presente una falla de tierra en el generador o en los dispositivos conectados. Una apropiada conexión a tierra también ayuda a disipar la electricidad estática, que generalmente se acumula en dispositivos no enterrados.

Figura 6 - Conexión a tierra del generador



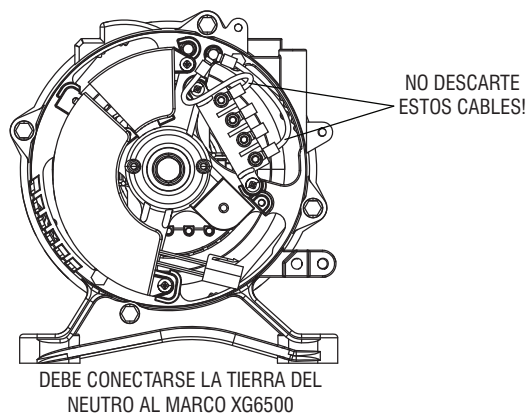
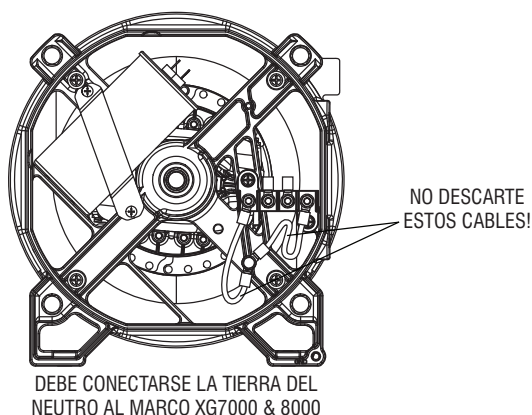
## 2.4.3 CONEXIÓN A TIERRA DEL NEUTRO AL MARCOS

Si se está dando servicio al alternador, NO descarte los cables del jumper blanco del bloque terminal a la tierra del alternador, ubicada en la portadora de cojinetes posterior. Siempre asegúrese de que los cables estén conectados apropiadamente antes de usar el generador luego de que se haya dado servicio al generador. Vea la figura 7.

### ⚠ PELIGRO!

⚡ El no reconectar estos cables puede crear un peligro potencial de choque eléctrico cuando el generador esté funcionando.

Figura 7 - Conexión A Tierra Del Neutro Al Marcos



## 2.4.4 CONEXIÓN DE LAS CARGAS ELÉCTRICAS

**NO** conecte cargas de 240 Volt a receptáculos de 120 Volt.

**NO** conecte cargas trifásicas al generador.

**NO** conecte cargas de 50 Hz al generador.

- Deje que el motor se estabilice y caliente por unos minutos antes de arrancar.
- Conecte y encienda las cargas eléctricas monofásicas de 120 o 240 voltios y 60 Hz deseadas.
- Sume la potencia nominal (op amperaje) de todas las cargas que serán conectadas a la vez. Este total no deberá ser mayor que (a) la capacidad de potencia y corriente del generador o (b) la capacidad nominal del interruptor del circuito que suministra la energía. Vea "No sobrecargue el generador".

## 2.5 NO SOBRECARGUE EL GENERADOR

Sobrecargar un generador en exceso de su capacidad de potencia nominal puede traer como resultado daños al generador y a los dispositivos eléctricos conectados. Observe lo siguiente para evitar sobrecargar la unidad:

- Sume el total de potencia de todos los dispositivos eléctricos a conectarse a la vez. Este total NO deberá ser mayor que la capacidad de potencia del generador.
  - La potencia nominal de las luces puede leerse en las mismas bombillas. La potencia nominal de las herramientas, aparatos y motores normalmente se puede encontrar en la etiqueta de datos o calcomanía fijada en el dispositivo.
  - Si el aparato, herramienta o motor no muestran la potencia, multiplique voltios por amperios nominales para determinar los vatios (volts x amps = vatios).
  - Algunos motores eléctricos, como los del tipo inducción, requieren alrededor de tres veces más potencia para arrancar que para funcionar. Este transitorio de potencia dura sólo unos pocos segundos al arrancar tales motores. Asegúrese de tener en cuenta esta alta potencia de arranque al seleccionar dispositivos eléctricos que se conectarán al generador.
1. Sepa la potencia necesaria para arrancar el motor más grande.
  2. Sume a esa cifra la potencia de funcionamiento de todas las otras cargas conectadas.

La guía de referencia de potencias se proporciona para ayudarle a determinar cuántos ítems puede operar el generador al mismo tiempo.

### NOTA:

*Todas las cifras son aproximadas. Vea la etiqueta de datos en los aparatos para saber los requerimientos de potencia.*

## 2.6 GUÍA DE REFERENCIA DE POTENCIAS

Dispositivo	Vatios en funcionamiento
*Aire acondicionado (12,000 Btu)	1700
*Aire acondicionado (24,000 Btu)	3800
*Aire acondicionado (40,000 Btu)	6000
Cargador de baterías (20 Amp)	500
Lijadora de bandas (3")	1000
Sierra eléctrica	1200
Sierra circular (6-1/2")	de 800 a 1000
*Secadora de ropa (Eléctrica)	5750
*Secadora de ropa (a gas)	700
*Lavadora de ropa	1150
Cafetera	1750
*Compresor (1 HP)	2000
*Compresor (3/4 HP)	1800
*Compresor (1/2 HP)	1400
Rizador de pelo	700
*Deshumecedor	650
Lijadora de disco (9")	1200
Cortadora	500
Frazada eléctrica	400
Pistola eléctrica de clavos	1200
Rango eléctrico (por elemento)	1500
Sartén eléctrica	1250
*Congeladora	700
*Ventilador de chimenea(3/5 HP)	875
*Garaje de apertura automática	de 500 a 750
Secador de pelo	1200
Taladro de mano	250 a 1100



Cortador de setos.....	450
Herramienta de impacto.....	500
Plancha.....	1200
* Eyector.....	800
Cortadora de césped.....	1200
Bombilla de luz.....	100
Horno de microondas.....	700 a 1000
*Enfriador de leche.....	1100
Quemador de aceite sobre chimenea.....	300
Calentador de chispa de aceite (140,000 Btu).....	400
Calentador de chispa de aceite (85,000 Btu).....	225
Calentador de chispa de aceite (30,000 Btu).....	150
*Pulverizador de pintura, sin aire (1/3 HP).....	600
Pulverizador de pintura, sin aire (de mano).....	150
Radio.....	50 a 200
*Refrigeradora.....	700
Cocina lenta.....	200
*Bomba sumergible (1-1/2 HP).....	2800
*Bomba sumergible (1 HP).....	2000
*Bomba sumergible (1/2 HP).....	1500
*Bomba de desagüe.....	de 800 a 1050
*Sierra de banco (10").....	1750 a 2000
Televisor.....	200 a 500
Tostadora.....	1000 a 1650
Podadora de césped.....	500

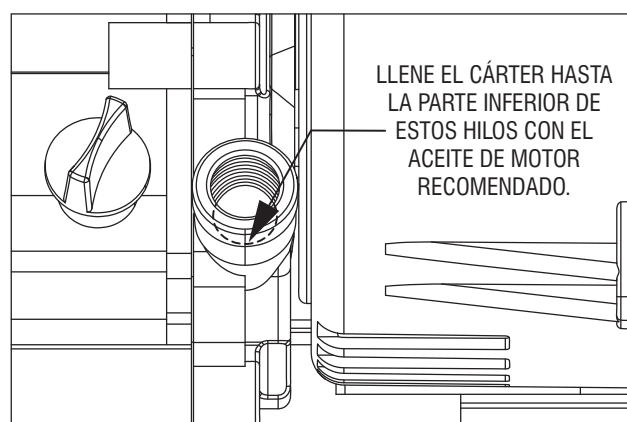
\* Calcule 3 veces la potencia de la lista para arrancar estos dispositivos.

## ⚠ ADVERTENCIA!

**!** Cualquier intento de arrancar el motor antes de que se le haya dado servicio apropiado con el aceite recomendado puede traer como resultado una falla del motor.

- Coloque el generador en una superficie nivelada.
- Limpie el área alrededor de la toma de aceite y retire la tapa.
- Llene lentamente el motor con aceite a través de la abertura hasta que llegue a su marca de lleno. Deje de llenar ocasionalmente para revisar el nivel de aceite. (El aceite de motor está lleno cuando el nivel se encuentra hasta los hilos de la tapa de la toma de aceite).
- Instale la tapa del aceite y ajústela con seguridad.
- Después de esto, revise el nivel de aceite antes de arrancar cada vez.

Figura 8 - Del nivel de aceite

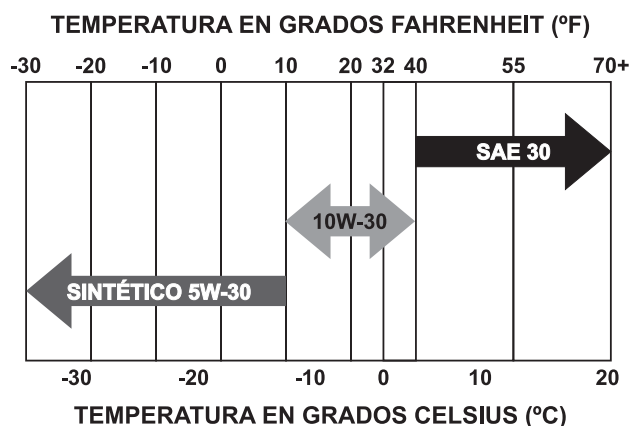


## 2.7 ANTES DE ARRANCAR EL GENERADOR

Antes de operar el generador, es necesario agregar aceite de motor y gasolina, de esta manera:

### 2.7.1 AGREGAR ACEITE DE MOTOR

Todo aceite debe cumplir el estándar mínimo de la American Petroleum Institute (API) Service Class SJ, SL o superior. No use aditivos especiales. Seleccione el grado de viscosidad del aceite de acuerdo a la temperatura esperada de operación (ver el gráfico también).



- Por encima de 40° F, use SAE 30
- Por debajo de 40° F y hasta 10° F, use 10W-30
- Por debajo de 10° F, use 5W-30 sintético

### 2.7.2 AÑADIR GASOLINA

## ⚠ PELIGRO!

**!** NO encienda cigarrillos o fume cuando esté llenando el tanque de combustible.

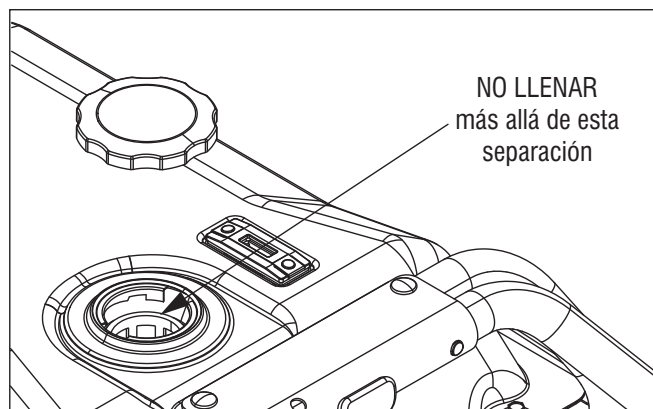
**!** NUNCA llene el tanque de combustible en el interior de La casa. Nunca llene el tanque de gasolina mientras el motor está funcionando o está caliente. Evite derramar gasolina sobre un motor caliente. Deje enfriar al motor completamente antes de llenar el tanque de combustible. NO encienda cigarrillos o fume cuando esté llenando el tanque de combustible.

**!** No sobrecargue el tanque de combustible. Deje siempre espacio para la expansión del combustible. Si el tanque está muy lleno, el combustible puede caer sobre el motor caliente y causar un INCENDIO o EXPLOSIÓN. Limpie cualquier derrame de combustible inmediatamente.

- Use gasolina sin plomo REGULAR para el motor del generador. No use gasolina Premium. No use aceite con gasolina.
- No use gasolina con más de 10% de alcohol como el E85 o metanol.
- Limpie el área alrededor de la tapa de llenado de combustible, sáquela.
- Lentamente añada gasolina regular sin plomo al tanque de combustible. Llene hasta el fondo del filtro de pantalla. **Tenga cuidado de no llenarlo demasiado** (Figura 9).
- Instale la tapa del combustible y limpie la gasolina que se haya derramado.



**Figura 9 - Tanque de combustible**



**IMPORTANTE:** Es importante evitar que se formen depósitos de goma en las partes del sistema de combustible como el carburador, la manguera de combustible o el tanque durante el almacenamiento. Los combustibles mezclados con alcoholes (llamados gasohol, etanol o metanol) pueden atraer la humedad, lo que llega a la separación y formación de ácidos durante el almacenamiento. Los gases ácidos pueden dañar el sistema de combustible de un motor durante el almacenamiento. Para evitar problemas con el motor, el sistema de combustible deberá vaciarse antes de almacenarse por 30 días o más. Ver la sección de "Almacenamiento". Nunca use productos limpiadores de motor o carburador en el tanque de combustible ya que puede ocasionar daño permanente.

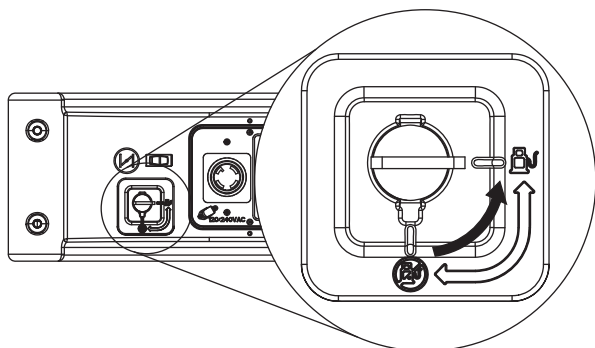
## 2.8 ARRANQUE DEL MOTOR

### ⚠ ADVERTENCIA!

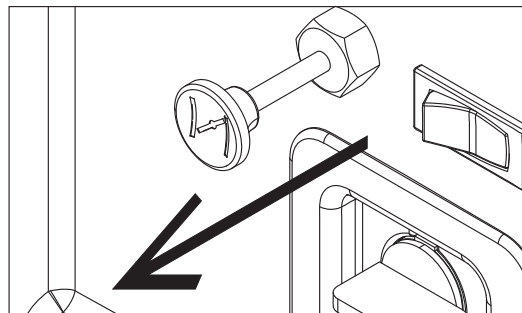
**!** Nunca arranque ni detenga el motor con los dispositivos eléctricos conectados a los receptáculos ni encendidos.

- Desconecte todas las cargas eléctricas de los receptáculos de la unidad antes de arrancar el motor.
- Asegúrese de que la unidad esté en una posición nivelada.
- Abra la válvula de cierre del combustible (figura 10).
- Tire la palanca de CHOKE del motor a la posición "Full Choke" (completo) (Figura 11).

**Figura 10 - Válvula de cierre de combustible**



**Figura 11 - Posición de Choke**



### 2.8.1 ARRANQUE MANUAL (RECULE)

- Este generador también está equipado con un arrancador manual de recule que se puede usar si la batería está descargada.
- Para arrancar manualmente, tome firmemente el manubrio del recule y tire lentamente hasta que se sienta que aumenta la resistencia. Tire rápidamente arriba para arrancar el motor. Luego siga la misma secuencia de choke listada arriba.

**NOTA:**

*Si el motor dispara, pero no sigue funcionando, tire la palanca de choke a "Full Choke" y repita las instrucciones de arranque.*

**IMPORTANTE:** No sobrecargue el generador. Asimismo, no sobrecargue los receptáculos individuales. Estas tomas están protegidas contra sobrecargas con interruptores de circuito tipo presionar para reiniciar. Si la corriente nominal de cualquiera de los interruptores se excede, ese interruptor se abre y la salida eléctrica a ese receptáculo se pierde. Lea "No sobrecargue el generador" con mucho cuidado.

### 2.8.2 ARRANQUE ELÉCTRICO (XG7000E & XG8000E)

- Para arrancar el motor, mantenga presionado el interruptor de Start/Run/Stop en la posición "Start". El motor intentará arrancar. Cuando el motor arranque, suelte el interruptor a la posición "run" (funcionamiento).
- Cuando el motor arranque, presione la palanca de Choke a "1/2 choke" hasta que el motor funcione en forma suave y luego completamente a la posición "Run". Si el motor decae, tire la palanca de Choke nuevamente a "1/2 choke" hasta que el motor funcione en forma suave y luego a la posición "Run".
- Este generador también está equipado con un arrancador manual de recule que se puede usar si la batería está descargada.

**NOTA:**

*El interruptor de arranque/funcionamiento/detener del motor debe estar en la posición RUN (funcionamiento) cuando se usa el arrancador manual de recule.*

## 2.9 DETENER EL MOTOR

- Apague todas las cargas, luego desconecte las cargas eléctricas de los receptáculos del panel del generador. Nunca arranque ni detenga el motor con dispositivos eléctricos conectados y encendidos.
- Deje que el motor funcione sin carga por algunos minutos para estabilizar las temperaturas internas del motor y del generador.
- Mueva el interruptor de Start/Run/Stop a la posición "Off".
- Cierre la válvula de combustible.

## 2.10 SISTEMA DE APAGADO POR BAJA PRESIÓN DE ACEITE

El motor está equipado con un sensor de presión que apaga el motor en forma automática cuando la presión de aceite baja a menos de 5 psi. Si el motor se apaga y el tanque de combustible tiene suficiente gasolina, revise el nivel de aceite de motor. Un retardo incorporado al sistema de apagado por baja presión de aceite permite que la presión de aceite se acumule durante el arranque. El retardo permite que el motor funcione alrededor de 10 segundos antes de sensar la presión de aceite.

Si el sistema detecta una baja presión de aceite durante la operación, el motor se apaga.

### 2.10.1 REINICIAR

Si está tratando de reiniciar el motor dentro de los 10 segundos después de que se apagó, el motor puede que no arranque. El sistema necesita de 5 a 10 segundos para poder reiniciarse.

Si el motor se reinicia luego de apagarse y no se ha corregido la baja presión de aceite, el motor funcionará alrededor de 10 segundos como se describe arriba y se detendrá.

## 2.11 CARGA DE LA BATERÍA

### ⚠ PELIGRO!

**!** Las baterías almacenadas sueltan un explosivo gas de hidrógeno al recargarse. Una mezcla explosiva permanecerá alrededor de la batería por largo tiempo luego de que se haya cargado. La más ligera chispa puede encender el hidrógeno y causar una explosión. Una explosión así puede destruir la batería y causar ceguera y otros daños serios.

**!** No permita que fumen, hagan fuego abierto, chispas o cualquier otra fuente de calor alrededor de la batería. Use guantes protectores, gafas y delantal de goma cuando trabaje alrededor de la batería. El fluido electrolítico de la batería es una solución de ácido sulfúrico extremadamente corrosiva que puede causar severas quemaduras. Si ocurre un derrame lave el área con agua limpia inmediatamente.

Use el conector del cargador de batería para mantener la batería cargada y lista para usarse. La carga de la batería deberá hacerse en una ubicación seca.

1. Conecte el cargador en el conector de "Entrada de cargador de batería", ubicado en el panel de control. Conecte el extremo del receptáculo de pared del cargador de la batería en una toma de 120 VCA.
2. Desconecte el cargador de batería de la toma de la pared y del conector del panel de control cuando el generador vaya a usarse.

#### NOTA:

**No use el cargador de baterías por más de 48 horas en una carga.**

## 3.1 CRONOGRAMA DE MANTENIMIENTO

Siga los intervalos del calendario. Se requiere un servicio más frecuente cuando se opera en condiciones adversas como las que se indica abajo.

Revise el nivel de aceite	en cada uso
Cambio de aceite y filtro ‡	*Cada temporada o cada 100 horas
Limpia pantalla del sup de chispas	Cada cambio de estación
Revise la claridad de la válvula	***Cada temporada o cada 100 horas
Servicio al limpiador de aire	**Cada temporada o cada 200 horas
Reemplazo de bujías	Cada cambio de estación

‡ Cambie el aceite luego de las primeras 30 horas de operación y luego en cada cambio de estación.

\* Cambie el aceite y el filtro de aceite cada mes si opera bajo condiciones pesadas de carga o altas temperaturas.

\*\* Limpie con más frecuencia bajo condiciones de operación que involucren polvo y suciedad. Reemplace las piezas del limpiador de aire si están muy sucias.

\*\*\* Revise la claridad de la válvula y ajústela si es necesario luego de las primeras 50 horas de operación y cada 100 horas luego de ello.

## 3.2 ESPECIFICACIONES DEL PRODUCTO

### 3.2.1 ESPECIFICACIONES DEL GENERADOR

Modelo #	005800-0, 005747-0
Potencia máx nominal	8.0 kW**
Potencia de transitorio	10 kW
Voltaje AC nominal	120/240
Carga máxima AC nominal	
Corriente @ 240V	33.3 Amps**
Corriente @ 120V	66.7 Amps**
Frecuencia nominal	60 Hz @ 3600 RPM
Fase	Monofásico
Voltaje DC nominal	12 Volts
Tipo de Batería	10 AH, 12 VDC

Modelo #	005797-0, 005798-0
Potencia máx nominal	7.0 kW**
Potencia de transitorio	8.75 kW
Voltaje AC nominal	120/240
Carga máxima AC nominal	
Corriente @ 240V	29.2 Amps**
Corriente @ 120V	58.3 Amps**
Frecuencia nominal	60 Hz @ 3600 RPM
Fase	Monofásico
Voltaje DC nominal	12 Volts
Tipo de Batería	10 AH, 12 VDC

Modelo #	005796-0
Potencia máx nominal	6.5 kW**
Potencia de transitorio	8.13 kW
Voltaje AC nominal	120/240
Carga máxima AC nominal	
Corriente @ 240V	27.1 Amps**
Corriente @ 120V	54.2 Amps**
Frecuencia nominal	60 Hz @ 3600 RPM
Fase	Monofásico

\*\* Las potencias y corrientes máximas están sujetas a, y limitadas por, factores tales como contenido en BTUs del combustible, altitud, condiciones del motor, etc. La potencia máxima disminuye alrededor del 3.5% por cada 1000 pies sobre el nivel del mar, y también disminuirá alrededor del 1% por cada 6°C (10°F) por encima de los 16°C (60°F) de temperatura ambiente.

## 3.2.2 ESPECIFICACIONES DEL MOTOR

Potencia nominal en caballos @ 3600 RPM .....	14.5
Desplazamiento.....	410cc
Tipo de bujías .....	Champion RC14YC o equivalente
Espaciamiento de la bujía.....	0.030 pulgadas o 0.76 mm
Capacidad de gasolina .....	8 galones americanos
Tipo de aceite .....	Ver la cartilla en la sección "Agregar aceite de motor"
Capacidad de aceite.....	c/ cambio de filtro = 1.5 cuartos s/ cambio de filtro = 1.2 cuartos
Tiempo de funcionamiento/Consumo de combustible- 1/2 carga	10 Horas / 0.73 galones por hora
Certificado para emisión de Clase II	

## 3.2.3 INFORMACIÓN SOBRE EMISIONES

La agencia de protección ambiental (EPA) y el directorio de recursos del aire de California (CARB) exigen que su generador cumpla con los estándares de emisión de vapores y escapes. Este generador está certificado para cumplir los niveles de emisión de EPA y CARB aplicables. Información adicional respecto a los requerimientos puestos por EPA y CARB a continuación:

Es importante que usted siga las especificaciones de mantenimiento proporcionadas en este manual para asegurar que su motor cumple con los estándares de emisión aplicables por la duración de la vida del motor. Este motor está certificado para operar con gasolina. El sistema de control de emisiones de su generador consiste en lo siguiente:

- Sistema de combustible
  - ~ Tanque de combustible
  - ~ Tapa de Combustible
  - ~ Carburador
  - ~ Líneas de combustible
- Sistema de Control Evaporador:
  - ~ Lata de carbon
  - ~ Magueras de vapor
  - ~
- Sistema de inducción de aire
  - ~ Tubería/distribuidor de entrada
  - ~ Limpiador de aire
- Sistema de ignición
  - ~ Bujías
  - ~ Módulo de ignición
- Sistema de escape
  - ~ Válv de inyec aire de pulso
  - ~ Silenciador

El período de cumplimiento de emisiones mencionado en la etiqueta de cumplimiento de emisiones indica el número de horas de operación para las que el motor ha demostrado cumplir los requerimientos de emisión federales y de California. Vea la tabla abajo para determinar el periodo de cumplimiento para su generador. El desplazamiento de su generador está listado en la etiqueta de cumplimiento de emisiones.

Desplazamiento	Categoría	Período de cumplimiento
≥ 66 cc - < 225 cc	A	500 horas
	B	250 horas
	C	125 horas
≥ 225 cc	A	1000 horas
	B	500 horas
	C	250 horas

## 3.3 RECOMENDACIONES GENERALES

La garantía del generador no cubre ítems que hayan sido objeto de abuso o negligencia del operador. Para recibir el valor total de la garantía, el operador debe hacer el mantenimiento del generador tal como se instruye en este manual.

Se necesitará hacer algunos ajustes periódicamente para mantener apropiadamente este generador.

Todos los ajustes en la sección de Mantenimiento de este manual deberán hacerse al menos una vez en cada cambio de estación. Siga los requerimientos del "Programa de mantenimiento".

### NOTA:

**Una vez al año, reemplace las bujías y el filtro de aire. Bujías nuevas y filtro de aire limpio aseguran una apropiada mezcla de aire-combustible y ayudan a que el motor funcione mejor y dure más.**

### 3.3.1 MANTENIMIENTO DEL GENERADOR

El mantenimiento del generador consiste en mantener a la unidad limpia y seca. Opere y almacene la unidad en un ambiente limpio y seco donde no esté expuesta a excesivo polvo, suciedad, humedad ni vapores corrosivos. Las ranuras de aire de enfriamiento en el generador no deberán obstruirse con nieve, hojas ni ningún material extraño.

Revise la limpieza del generador frecuentemente y límpielo cuando el polvo, suciedad, humedad y otras sustancias extrañas sean visibles en su superficie exterior.

### ⚠ ATENCIÓN!

**! Nunca inserte ningún objeto ni herramienta a través de las ranuras de aire de refrigeración, aún si el motor no está funcionando.**

### NOTA:

**NO use una manguera de jardín para limpiar el generador. El agua puede ingresar al sistema de combustible del motor y causar problemas. Adicionalmente, si el agua ingresa al generador a través de las ranuras de aire, algo del agua será retenida en vacíos o grietas del aislamiento del bobinado del rotor y estator. La acumulación del agua y el polvo en los bobinados internos del generador eventualmente disminuirán la resistencia de aislamiento de esos bobinados.**

### 3.3.2 PARA LIMPIAR EL GENERADOR

- Use un trapo húmedo para limpiar las superficies exteriores.
- Una escobilla suave de cerdas puede usarse para soltar suciedades pegadas, aceite, etc.
- Se puede usar una aspiradora para levantar la suciedad suelta y restos.
- Se puede usar una baja presión de aire (que no exceda las 25 psi) para soplar la suciedad. Inspeccione las ranuras de aire de ventilación y las aberturas del generador. Estas aberturas deben mantenerse limpias y sin obstrucciones.

### 3.3.3 MANTENIMIENTO DEL MOTOR

### ⚠ ATENCIÓN!

**! Cuando se trabaja en el generador, siempre se debe desconectar el cable negativo de la batería. También desconecte los cables de las bujías y manténgalos lejos de estas.**

### 3.3.4 REVISAR EL NIVEL DE ACEITE

Vea la sección "ANTES DE ARRANCAR EL GENERADOR" para mayor información sobre la revisión del nivel de aceite. El nivel de aceite debe revisarse antes de cada uso, o al menos cada ocho horas de operación. Siempre mantenga el nivel de aceite.

### 3.3.5 CAMBIO DE ACEITE Y FILTRO DE ACEITE

Cambie el aceite y el filtro luego de las primeras 30 horas de operación. Cambie el aceite cada 100 horas o cada cambio de estación luego de ello. Si está haciendo funcionar la unidad en condiciones de polvo o suciedad, o en clima extremadamente cálido, cambie el aceite con más frecuencia.

#### ⚠ PELIGRO!

**!** El aceite caliente puede causar quemaduras. Permita que el motor enfíe antes de drenar el aceite. Evite una exposición prolongada o repetida de la piel con el aceite usado. Lave completamente las áreas expuestas con jabón.

Siga las siguientes instrucciones para cambiar el aceite:

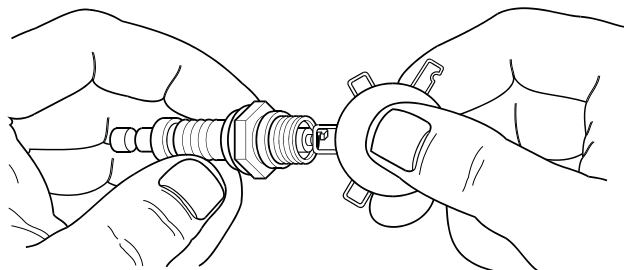
- Limpie el área alrededor de la tapa de drenaje del aceite.
- Retire la tapa de drenaje de aceite de la manguera de drenaje y la tapa de llenado de aceite para que drene completamente en un contenedor adecuado.
- Cuando el aceite haya drenado completamente, instale la tapa de drenaje de aceite y ciérrela con firmeza.
- Coloque un contenedor adecuado debajo del filtro de aceite y gire el filtro en sentido antihorario para retirarlo. Descártelo de acuerdo a las regulaciones locales.
- Cubra la junta del nuevo filtro con aceite limpio de motor. Gire el filtro en sentido horario hasta que la junta tome contacto ligeramente con el adaptador del filtro. Luego ajuste 3/4 de vuelta adicionales.
- Llène el cárter con el aceite recomendado y vuelva a colocar la tapa del aceite. (Vea "Antes de arrancar el generador" para mayores recomendaciones sobre el aceite).
- Limpie el aceite que se haya derramado.
- Disponga del aceite usado en un centro de recolección apropiado.

### 3.3.6 REEMPLAZO DE LA BUJÍA

Use bujías Champion RC14YC o equivalentes. **Reemplace la bujía una vez al año.** Esto ayudará a que el motor arranque con mayor facilidad y funcione mejor.

1. Detenga el motor y tire del cable de bujía colocándolo lejos de las mismas.
2. Para tener acceso, retire los cuatro tornillos Allen y retire el panel lateral.
3. Limpie el área alrededor de la bujía y retírela de la cabeza del cilindro.
4. Coloque el espaciamiento de la bujía en 0.76 mm (0.030 pulg). Instale la bujía con el espaciamiento correcto en la cabeza del cilindro (figura 12).
5. Presione la cubierta de la bujía firmemente e instale el panel lateral.

Figura 12 - Espaciamiento de la bujía



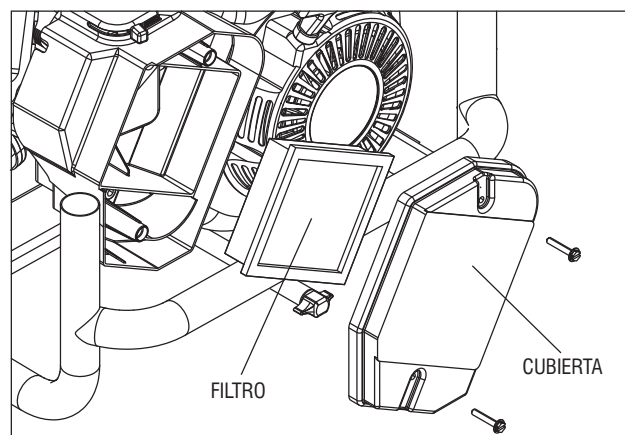
### 3.4 DAR SERVICIO AL LIMPIADOR DE AIRE

El motor no funcionará apropiadamente y puede dañarse si se usa un limpiador de aire sucio. Limpie o reemplace el filtro de papel del limpiador cada 200 horas o una vez al año (figura 13). Límpielo o reemplácelo con mayor frecuencia si se opera en condiciones de suciedad.

**Limpieza o reemplazo del filtro de aire de papel:**

- Retire la cubierta del limpiador de aire, luego retire el prefiltro de espuma (dele servicio si es necesario) y retire el filtro de papel.
- Limpie el filtro de papel golpeándolo ligeramente sobre una superficie sólida. Si el filtro está demasiado sucio, reemplácelo con uno nuevo. Disponga del filtro viejo en forma apropiada.
- Limpie la cubierta del limpiador de aire y luego deslice el predepurador sobre el filtro. Luego inserte el nuevo filtro de papel en la base del limpiador de aire. Reinstale la cubierta del limpiador de aire.

Figura 13 - Limpiador de aire



#### NOTA:

Para ordenar un filtro de aire nuevo, por favor póngase en contacto con el centro de servicio autorizado más cercano al 1-888-GENERAC.

### 3.5 LIMPIAR PANTALLA DE SUP DE CHISPA

El silenciador del escape del motor tiene una pantalla de supresión de chispa. Inspeccione y limpie la pantalla al menos una vez al año (Figura 14). Si la unidad se usa con regularidad, efectúe inspecciones y limpiezas con mayor frecuencia.

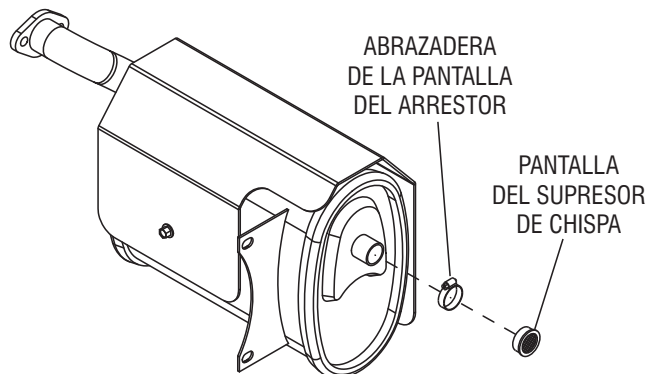
## ⚠ PELIGRO!

⚠ Si usa el generador sobre algún terreno cubierto de césped, arbustos o plantas, debe estar equipado con un supresor de chispa. El dueño o el operador deben mantener el supresor de chispa en buenas condiciones.

Limpie e inspeccione el supresor de chispa cuando el motor se encuentre a temperatura ambiental, como sigue:

- Retire el escudo de calor del silenciador retirando los cuatro tornillos.
- Retire el supresor de chispa del silenciador retirando los cuatro tornillos.
- Inspeccione la pantalla y reemplácela si está rasgada o dañada de alguna forma. NO USE una pantalla defectuosa. Si la pantalla no está dañada, límpiela con un solvente comercial.
- Vuelva a colocar el supresor de chispa y el escudo de calor del silenciador.

Figura 14 - Supresor de chispa



## 3.6 GENERAL

El generador deberá arrancarse al menos una vez cada siete días y permitírsele funcionar al menos 30 minutos. Si esto no se puede hacer y la unidad debe guardarse por más de 30 días, use la siguiente información como guía para prepararlo para su almacenamiento.

## ⚠ PELIGRO!

⚠ NUNCA almacene un motor con combustible en el tanque en interiores o en áreas cerradas poco ventiladas en donde los humos pueden alcanzar una llama abierta, chispa o flama piloto como en una chimenea, calentador de agua, secadora de ropa u otros aparatos a gas.

⚠ Deje enfriar la unidad completamente antes de almacenarse.

## 3.7 ALMACENAMIENTO POR LARGO PLAZO

Es importante evitar que se formen depósitos de goma en las partes esenciales del sistema de combustible como el carburador, la manguera de combustible o el tanque durante el almacenamiento. Asimismo, la experiencia indica que los combustibles mezclados con alcoholes (llamados gasohol, etanol o metanol) pueden atraer la humedad, lo que llega a la separación y formación de ácidos durante el almacenamiento. Los gases ácidos pueden dañar el sistema de combustible de un motor durante el almacenamiento.

Para evitar problemas con el motor, el sistema de combustible deberá vaciarse antes de almacenarse por 30 días o más, como sigue:

- Retire toda la gasolina del tanque de combustible.

## ⚠ ATENCIÓN!

⚠ Drene el combustible en contenedores apropiados en exteriores, lejos de las flamas abiertas. Asegúrese de que el motor esté frío. No fume en la cercanía ni encienda cigarro alguno.

- Arranque y haga funcionar el motor hasta que se detenga por falta de combustible.
- Deje enfriar el motor, luego drene el aceite del cárter. Rellene con el grado recomendado.
- Retire las bujía y llene alrededor de 1/2 onza (15 ml) de aceite de motor en los cilindros. Cubra el agujero de la bujía con un trapo. Tire del arrancador de recule un par de veces para lubricar los anillos del pistón y el recorrido del cilindro.

## ⚠ ATENCIÓN!

⚠ Evite la pulverización del agujero de las bujía en el arranque.

- Instale y ajuste las bujía. No conecte los cables de bujía.
- Limpie las otras superficies del generador. Revise que las aberturas y ranuras de aire de ventilación en el generador estén abiertas y sin obstrucciones.
- Almacene la unidad en un lugar limpio y seco.

## 3.8 OTROS CONSEJOS PARA ALMACENAMIENTO

- No almacene gasolina de una estación a otra.
- Reemplace la gasolina si empieza a oxidarse. El óxido o suciedad en la gasolina causará problemas con el carburador y el sistema de combustible.
- Si fuera posible, almacene la unidad en interiores y cúbrala para protegerla del polvo y la suciedad. Cubra la unidad con una cubierta protectora adecuada que no retenga humedad.
- ASEGÚRESE DE VACIAR EL TANQUE DE COMBUSTIBLE. Si no fuera práctico vaciar el tanque de combustible y la unidad tiene que almacenarse por un tiempo, use un estabilizador de combustible comercial disponible y añádale a la gasolina para prolongar la vida de esta.

## ⚠ ATENCIÓN!

⚠ NUNCA cubra el generador mientras las áreas del motor y el escape están calientes. Deje enfriar completamente la unidad.



## 4.1 REEMPLAZO DE LA BATERÍA (XG7000E & XG8000E)

Para reemplazar la batería (ver figura 16)

- Retire el panel lateral como se muestra. Retire los cuatro pernos que aseguran el tanque de combustible.
- Gire la válvula de combustible sobre el panel de control a la posición "OFF".
- Tire el tanque de combustible hacia atrás ligeramente y retire la manguera de combustible que va del motor a la válvula de combustible.

### ⚠ ATENCIÓN!

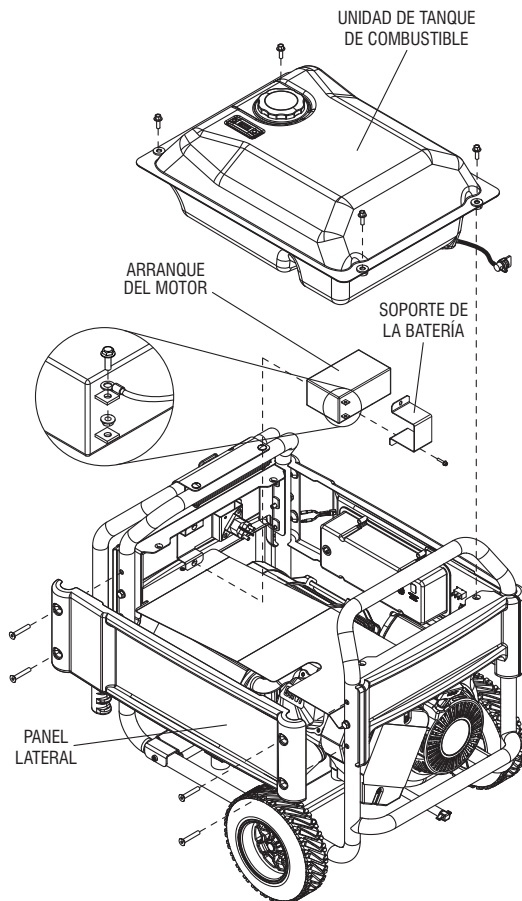
**!** Drene el combustible en contenedores apropiados en exteriores, lejos de las flamas abiertas. Asegúrese de que el motor esté frío. No fume en la cercanía ni encienda cigarro alguno.

- Presione la válvula de combustible del panel de control y retire el tanque de combustible.
- Desconecte el cable NEGRO de batería del terminal negativo (-).
- Desconecte el cable ROJO de batería del terminal positivo (+).

#### NOTA:

*Empiece a ajustar los cuatro tornillos en el panel lateral antes del ajuste final o no será posible poner a todos los tornillos en su lugar.*

**Figura 16 - Reemplazo de la batería**



# DetECCIÓN de problemas

## 5.1 GUÍA DE DETECCIÓN DE PROBLEMAS

PROBLEMA	CAUSA	CORRECCIÓN
<b>El motor está funcionando, pero no hay salida de AC disponible.</b>	<ol style="list-style-type: none"> <li>1. El interruptor de circuito está abierto.</li> <li>2. Pobre conexión o cable defectuoso.</li> <li>3. El dispositivo conectado está mal.</li> <li>4. Falla en el generador.</li> <li>5. GFCI acciona la toma de 20 amp.</li> </ol>	<ol style="list-style-type: none"> <li>1. Reinicie el interruptor de circuito.</li> <li>2. Revise y repare.</li> <li>3. Conecte otro dispositivo que esté en buenas condiciones.</li> <li>4. Contacte a un servicio autorizado.</li> <li>5. Repare el corto y reinicie el GFCI.</li> </ol>
<b>El motor funciona bien pero se atasca cuando se conectan las cargas.</b>	<ol style="list-style-type: none"> <li>1. Cortocircuito en la carga conectada.</li> <li>2. El generador está sobrecargado.</li> <li>3. La velocidad del motor es muy lenta.</li> <li>4. Circuito del generador en corto.</li> </ol>	<ol style="list-style-type: none"> <li>1. Desconecte la carga eléctrica en corto.</li> <li>2. Vea "No sobrecargue el generador"</li> <li>3. Contacte a un servicio autorizado.</li> <li>4. Contacte a un servicio autorizado.</li> </ol>
<b>El motor no enciende.</b>	<ol style="list-style-type: none"> <li>1. La batería está débil o muerta.</li> </ol>	<ol style="list-style-type: none"> <li>1. Recargue o reemplace la batería (ver "no hay salida de CC del cargador de batería" abajo de la guía).</li> <li>2. Arranque el motor manualmente usando el arrancador de recule.</li> </ol>
<b>El motor no arranca, o arranca pero funciona en forma áspera.</b>	<ol style="list-style-type: none"> <li>1. El cierre de combustible está en OFF.</li> <li>2. Limpiador de aire sucio.</li> <li>3. Falta gasolina.</li> <li>4. Gasolina pasada.</li> <li>5. El cable de la bujía no está conectado a esta.</li> <li>6. Bujías en mal estado.</li> <li>7. Agua en la gasolina.</li> <li>8. Over-choking.</li> <li>9. Nivel de aceite bajo</li> <li>10. Mezcla de combustible demasiado rica.</li> <li>11. Válvula de entrada atascada o cerrada.</li> <li>12. El motor ha perdido compresión.</li> </ol>	<ol style="list-style-type: none"> <li>1. Gire el cierre de combustible a ON.</li> <li>2. Limpie o reemplace el limpiador de aire.</li> <li>3. Llene el tanque de combustible.</li> <li>4. Drene y llene el tanque de combustible con gasolina fresca.</li> <li>5. Conecte el cable a la bujía.</li> <li>6. Reemplace la bujía.</li> <li>7. Drene y llene el tanque de combustible con gasolina fresca.</li> <li>8. Coloque la palanca de choke en posición No Choke.</li> <li>9. Llene el cárter en el nivel apropiado.</li> <li>10. Contacte a un servicio autorizado.</li> <li>11. Contacte a un servicio autorizado.</li> <li>12. Contacte a un servicio autorizado.</li> </ol>
<b>El motor se apaga durante la operación.</b>	<ol style="list-style-type: none"> <li>1. Falta gasolina.</li> <li>2. Nivel de aceite bajo</li> <li>3. Falla en el motor.</li> </ol>	<ol style="list-style-type: none"> <li>1. Llene el tanque de combustible.</li> <li>2. Llene el cárter en el nivel apropiado.</li> <li>3. Contacte a un servicio autorizado.</li> </ol>
<b>El motor pierde potencia.</b>	<ol style="list-style-type: none"> <li>1. La carga es demasiado alta.</li> <li>2. Filtro de aire sucio.</li> <li>3. El motor necesita servicio.</li> </ol>	<ol style="list-style-type: none"> <li>1. Vea "No sobrecargue el generador"</li> <li>2. Reemplace el filtro de aire.</li> <li>3. Contacte a un servicio autorizado.</li> </ol>
<b>El motor se pierde o tartamudea.</b>	<ol style="list-style-type: none"> <li>1. El choke está abierto demasiado pronto</li> <li>2. El carburador está funcionando muy rico o muy raro.</li> </ol>	<ol style="list-style-type: none"> <li>1. Mueva el choke a la posición media hasta que el motor funcione suavemente.</li> <li>2. Contacte a un servicio autorizado.</li> </ol>
<b>No hay salida DC en el cargador de la batería.</b>	<ol style="list-style-type: none"> <li>1. Los bornes de la batería están corroídos.</li> <li>2. El cable de la batería está mal.</li> <li>3. La batería está defectuosa.</li> <li>4. El receptáculo está mal.</li> <li>5. El fusible en línea de 1.5 Amp del cargador de la batería está fundido y abierto.</li> </ol>	<ol style="list-style-type: none"> <li>1. Limpie los bornes de la batería.</li> <li>2. Reemplace el cable.</li> <li>3. Revise la condición de la batería, reemplácela si está defectuosa.</li> <li>4. Contacte a un servicio autorizado.</li> <li>5. Reemplace el fusible con un reemplazo idéntico de 1.5 amps solamente (ubicado dentro del panel de control).</li> </ol>



## DECLARACIÓN DE GARANTÍA DE CONTROL DE EMISIONES FEDERAL Y DE CALIFORNIA SUS DERECHOS Y OBLIGACIONES DE GARANTÍA

El directorio de recursos de aire de California (CARB) y la Agencia de protección ambiental de los Estados Unidos (EPA) junto con Generac Power Systems, Inc. (Generac) se complacen en explicar la garantía del sistema de control de emisiones para su nuevo generador del año 2008 o posterior. equipo nuevo que use motores pequeños de chispa deben estar diseñados, construidos y equipados para cumplir estándares anti-smog muy exigentes para el gobierno federal y del Estado de California. Generac garantizará los sistemas de emisión en su motor por el periodo de tiempo listado abajo siempre que no haya abuso, negligencia, modificación o mantenimiento inapropiado de su equipo.

Su sistema de control de emisión puede incluir partes como: carburador, sistema de ignición, convertidor catalítico, tanque de combustible, tapa de combustible, válvulas, lata de carbón, filtros, mangueras de vapor, abrazaderas, conectores, y otros componentes relacionados a la emisión (si existieran).

### COBERTURA DE LA GARANTÍA DEL FABRICANTE:

Este sistema de control de emisión está garantizado por dos años. Si durante este periodo de garantía se encuentra que cualquier parte relacionada a las emisiones está defectuosa en materiales o mano de obra, se efectuará las reparaciones o el intercambio por parte de un concesionario de servicio autorizado de Generac.

### RESPONSABILIDADES DE GARANTÍA DEL PROPIETARIO:

Como propietario del generador, usted es responsable de completar todos los mantenimientos requeridos tal como se lista en el manual del propietario proporcionado por la fábrica. Para propósitos de garantía, Generac recomienda que usted conserve todos los recibos que cubren el mantenimiento de su generador, pero Generac no puede rehusar la garantía sólo debido a la falta de recibos.

Como propietario del generador, usted deberá ser consciente de que Generac puede negar cualquier y/o todas las coberturas y responsabilidades de la garantía si su generador, o una parte o componente del mismo, ha fallado debido al abuso, negligencia, mantenimiento inapropiado o modificaciones no aprobadas, o el uso de repuestos falsos o del mercado negro no fabricados, suministrados o aprobados por Generac.

**Usted es responsable de contactar a un concesionario autorizado de garantía de Generac tan pronto se presente el problema. Las reparaciones de garantía deberán completarse en un tiempo razonable, sin exceder los 30 días.**

El servicio de garantía puede arreglarse contactando ya sea a su concesionario de venta o a un concesionario de servicio de garantía autorizado de Generac. Para ubicar al concesionario de servicio de garantía autorizado de Generac más cercano a usted, llame a nuestro número gratuito.

**1-800-333-1322**

**NOTA IMPORTANTE:** Esta declaración de garantía explica sus derechos y obligaciones bajo la Garantía del sistema de control de emisiones (ECS Warranty), que Generac le proporciona Generac siguiendo las leyes federales y de California. También vea "Garantías limitadas de Generac para los sistemas de potencia de Generac, Inc." que se adjunta a este manual en una hoja separada, también proporcionada a usted por Generac. Tenga en cuenta que esta garantía no se aplicará a ningún daño incidental, consecuencial o indirecto causado por defectos en los materiales y mano de obra, o cualquier retraso en reparar o reemplazar las partes defectuosas. Esta garantía reemplaza a todas las otras garantías, expresas o implícitas. **ESPECÍFICAMENTE, GENERAC NO OFRECE OTRAS GARANTÍAS COMO DE MERCANTIBILIDAD O ADECUACIÓN A UN USO PARTICULAR.** Algunos estados no permiten limitaciones en cuánto dura una garantía implícita, de modo que la limitación expresada arriba puede no aplicarse a usted.

La garantía ECS se aplica **sólo** al sistema de control de emisiones de su nuevo equipo. Si hay algún conflicto en términos entre la garantía ECS y la garantía de Generac, se aplicará la de Generac. Ambas garantías describen derechos y obligaciones importantes respecto a su nuevo motor.

El servicio de garantía puede ser realizado sólo por un servicio de garantía autorizado de Generac. Cuando se requiera servicio de garantía, se debe presentar evidencia que muestre la fecha de venta al comprador/propietario original.

Si usted tuviera alguna pregunta respecto a sus derechos y responsabilidades de garantía, deberá ponerse en contacto con Generac en la siguiente dirección:

**ATENCIÓN DEPARTAMENTO DE GARANTÍAS  
GENERAC POWER SYSTEMS, INC.  
P.O. BOX 297 • WHITEWATER, WI 53190**

## GARANTÍA DEL SISTEMA DE CONTROL DE EMISIONES

Garantía de sistema de control de emisiones (garantía ECS) para equipo que usa motores pequeños de chispa.

- (a) Aplicabilidad: Esta garantía se aplica a equipo que utiliza motores pequeños para fuera de pista. El periodo de garantía ECS empezará en la fecha en que el equipo nuevo es comprado por o entregado a su propietario/comprador final original y continuará por los siguientes 24 meses consecutivos.
- (b) Cobertura general de la garantía de emisiones: Generac garantiza al propietario/comprador final original del motor o equipamiento nuevo y a cada subsiguiente comprador/propietario que el ECS cuando se instaló estuvo:
  - (1) Diseñado, construido y equipado para cumplir con todas las regulaciones aplicables; y
  - (2) Libre de defectos en materiales y mano de obra que cause la falla de una parte garantizada en cualquier momento durante el periodo de garantía ECS.
- (c) La garantía sobre partes relacionadas a la emisión se interpretarán como sigue:
  - (1) Cualquier parte garantizada que no esté programada para reemplazo como mantenimiento requerido en el Manual del propietario será garantizada en el periodo de garantía ECS. Si fallara cualquier parte durante el periodo de garantía ECS, deberá ser reparado o reemplazado por Generac de acuerdo a la Subsección (4) más abajo. Cualquier parte así reparada o reemplazada bajo la garantía ECS deberá ser garantizada por el resto del periodo de garantía ECS.
  - (2) Cualquier parte garantizada que esté programada sólo para inspección regular como se especifica en el Manual del propietario será garantizada en el periodo de garantía ECS. Una declaración en el manual del propietario a efecto de "reparar o reemplazar según sea necesario" no reducirá el periodo de garantía ECS. Cualquier parte así reparada o reemplazada bajo la garantía ECS deberá ser garantizada por el resto del periodo de garantía ECS.
  - (3) Cualquier parte garantizada que esté programada para reemplazo según lo requiera el mantenimiento en el Manual del Propietario deberá ser garantizado por el periodo de tiempo antes del primer punto de reemplazo programado para esa parte. Si la parte falla antes del primer reemplazo programado, la parte será reparada o reemplazada por Generac de acuerdo a la Subsección (4) más abajo. Cualquier parte relacionada a las emisiones así reparada o reemplazada bajo la garantía ECS será garantizada por el resto del periodo antes del primer punto de reemplazo programado para aquella parte.
  - (4) La reparación o reemplazo de cualquier parte garantizada relacionada a las emisiones bajo esta garantía ECS deberá realizarse sin costo alguno para el propietario en un centro de servicio de garantía autorizado por Generac.
  - (5) No obstante las disposiciones de la subsección (4) arriba indicadas, los servicios o reparaciones por garantía deben ser proporcionados en una instalación de servicio autorizada por Generac.
  - (6) Cuando el motor sea inspeccionado por un centro de servicio de garantía autorizado de Generac, el propietario/comprador no será responsable de los costos de diagnóstico si la reparación se considera dentro de la garantía.
  - (7) A lo largo del periodo de garantía ECS, Generac mantendrá un suministro de partes garantizadas relacionadas a las emisiones suficiente para cumplir la demanda esperada para tales repuestos.
  - (8) Cualquier repuesto relacionado a la emisión autorizado y aprobado por Generac puede usarse en la ejecución de cualquier reparación o mantenimiento de garantía ECS y se proporcionará sin costo al comprador/propietario. Dicho uso no reducirá las obligaciones de garantía ECS de Generac.
  - (9) Los repuestos no aprobados, añadidos, modificados, falsos y/o del mercado negro no se pueden usar para modificar o reparar un motor Generac. Dicho uso invalida esta garantía ECS y será base suficiente para no aceptar un reclamo por garantía ECS. Generac no podrá ser declarado responsable por fallas de cualquier parte garantizada de un equipo Generac causadas por el uso de tales repuestos no aprobados, añadidos, modificados, falsos y/o del mercado negro.

### LAS PARTES RELACIONADAS A LA EMISIÓN PUEDEN INCLUIR LO SIGUIENTE (SI SE TIENE):

- |   |  |
|---|--|
| <ol style="list-style-type: none"> <li>1) SISTEMA DE COMBUSTIBLE               <ol style="list-style-type: none"> <li>A. TANQUE DE COMBUSTIBLE</li> <li>B. TAPA DE COMBUSTIBLE</li> <li>C. LÍNEA DE COMBUSTIBLE</li> <li>D. ACCESORIOS DE LA LÍNEA DE COMBUSTIBLE</li> <li>E. ABRAZADERAS*</li> <li>F. VÁLVULAS DE LIBERACIÓN DE PRESIÓN*</li> </ol> </li> <li>2) SISTEMA DE CONTROL EVAPORADOR               <ol style="list-style-type: none"> <li>A. LATA DE CARBÓN</li> <li>B. SOPORTES DE MONTAJE DE LA LATA</li> <li>C. PUERTO DE PURGA DEL CARBURADOR</li> <li>D. VÁLVULAS DE CONTROL*</li> <li>E. MANGUERAS DE VAPOR</li> <li>F. VÁLVULAS DE PURGA</li> <li>G. SEPARADOR LÍQUIDO / VAPOR</li> <li>H. DIAFRAGMAS DE CONTROL DE VACÍO*</li> </ol> </li> </ol> | <ol style="list-style-type: none"> <li>3) SISTEMA DE MEDICIÓN DE COMBUSTIBLE               <ol style="list-style-type: none"> <li>A. CARBURADOR Y PARTES INTERNAS</li> <li>B. REGULADOR DE PRESIÓN</li> </ol> </li> <li>4) SISTEMA DE INDUCCIÓN DE AIRE               <ol style="list-style-type: none"> <li>A. DISTRIBUIDOR DE ENTRADA</li> <li>B. FILTRO DE AIRE</li> </ol> </li> <li>5) SISTEMA DE IGNICIÓN               <ol style="list-style-type: none"> <li>A. BUJÍAS</li> <li>B. BOBINAS/MÓDULO DE IGNICIÓN</li> </ol> </li> <li>6) SISTEMA DE INYECCIÓN DE AIRE               <ol style="list-style-type: none"> <li>A. VÁLVULA DE AIRE DE PULSO</li> </ol> </li> <li>7) SISTEMA DE ESCAPE               <ol style="list-style-type: none"> <li>A. CATALIZADOR</li> <li>B. REACTOR TÉRMICO</li> <li>C. DISTRIBUIDOR DE ESCAPE</li> </ol> </li> </ol> |
|---|--|

\*NOTA: Como se relacionen con el sistema de control de emisiones.



## GARANTÍA LIMITADA DE “DOS AÑOS” DE SISTEMAS DE POTENCIA GENERAC PARA GENERADORES PORTÁTILES SERIE XG

Por un periodo de dos años desde la fecha de la venta original, Generac Power Systems, Inc. (Generac) garantiza sus generadores serie XG como libres de defectos en materiales y mano de obra por los ítems y periodos indicados abajo. Generac, a su opción, reparará o reemplazará cualquier parte que, luego de un examen, inspección y pruebas realizadas por un concesionario de servicio de garantía autorizado de Generac, se encuentre que está defectuoso. Cualquier equipo que el comprador/propietario reclame como defectuoso debe ser regresado a y examinado por el concesionario de servicio de garantía autorizado por Generac más cercano. Todos los costos de transporte bajo la garantía, incluyendo el retorno a la fábrica, serán por cuenta y prepagados por el propietario/comprador. Esta garantía se aplica sólo a los generadores portátiles serie XG de Generac y no es transferible del propietario original. Guarde su comprobante de compra. Si usted no proporciona una prueba de la fecha de la compra inicial, se usará la fecha de embarque del producto del fabricante para determinar el periodo de garantía.

### PROGRAMACIÓN DE GARANTÍA

Las aplicaciones para consumidor están garantizadas por dos (2) años. Las aplicaciones comerciales y de alquiler están garantizadas por uno (1) años o 1000 horas como máximo, lo que llegue primero.

#### APLICACIÓN PARA CONSUMIDOR

ANOS UNO - 100% (cien por ciento) de cobertura en mano de obra y repuestos (se requiere comprobante de compra y mantenimiento):

- Todos los componentes

ANO DOS - 100% (cien por ciento) de cobertura en repuestos (se requiere comprobante de compra y mantenimiento):

- Todos los componentes

#### APLICACIÓN COMERCIAL / DE ALQUILER

ANOS UNO - 100% (cien por ciento) de cobertura en mano de obra y repuestos (se requiere comprobante de compra y mantenimiento):

- Todos los componentes

**NOTA:** Para el propósito de esta garantía “uso de consumidor” significa uso personal en casa residencial o recreacional por el comprador original. La garantía no aplica a unidades usadas para Fuente Primaria de Energía en lugar del servicio público donde el servicio público se encuentre presente o donde el servicio público de energía no exista normalmente. Una vez que el generador ha experimentado uso comercial o de alquiler, se le considerará en adelante un generador no para uso del consumidor para propósitos de esta garantía.

Toda prestación de gastos de garantía está sujeta a las condiciones definidas en las políticas de garantía de Generac, sus procedimientos y el manual de costos medios.

### ESTA GARANTÍA NO SE APLICARÁ A LO SIGUIENTE:

- Generadores portátiles de Generac que utilizan repuestos que no son de Generac.
- Costos de mantenimiento normal y ajustes.
- Fallas causadas por combustibles o aceites contaminados, o la falta de niveles apropiados.
- Reparaciones o diagnósticos realizados por individuos diferentes a los concesionarios autorizados por Guardian/Generac que no estén autorizados por escrito por Generac Power Systems.
- Fallas debido a, pero no limitándose a, el uso y desgaste normal, accidente, mal uso, abuso, negligencia o uso inapropiado. Como todo dispositivo mecánico, los motores Generac necesitan servicio y repuestos periódicamente para funcionar como están diseñados. Esta garantía no cubre reparaciones cuando el uso normal ha agotado la vida útil de una parte o motor.
- Las fallas causadas por cualquier acto de Dios y otros eventos de fuerza mayor más allá del control del fabricante.
- El daño relacionado a roedores y/o plaga de insectos.
- Los productos que son modificados o alterados de manera no autorizada por Generac por escrito.
- Cualquier daño incidental, consecuencial o indirecto causado por defectos en materiales y mano de obra, o cualquier retraso en reparar o reemplazar las partes defectuosas.
- Falla debido a una mala aplicación.
- Gastos de teléfono, teléfono celular, fax, acceso a internet u otros gastos de comunicación.
- Costo de vida o gastos de viaje de las personas que realizan el servicio, excepto tal como específicamente se incluya dentro de los términos del periodo de garantía de una unidad específica.
- Gastos relacionados a “instrucciones del cliente” o detección de problemas donde no se encuentre defecto de fábrica.
- Equipo de alquiler usado mientras se realiza las reparaciones de garantía.
- Flete de un día para otro o costos especiales de embarque para los repuestos.
- Sobretiempos, vacaciones o trabajo de emergencia.
- Baterías de arranque, fusibles, filtros, bombillos de luz y fluidos de motor.

ESTA GARANTÍA REEMPLAZA CUALQUIER OTRA GARANTÍA, EXPRESA O IMPLÍCITA, ESPECÍFICAMENTE, GENERAC POWER SYSTEMS NO OTORGA OTRAS GARANTÍAS COMO DE MERCANTIBILIDAD O ADECUACIÓN PARA UN PROPÓSITO PARTICULAR. Cualquier garantía implícita que sea permitida por ley, estará limitada en duración a los términos de la garantía expresa dispuesta aquí. Algunos estados no permiten limitaciones en cuánto dura una garantía implícita, de modo que la limitación expresada arriba puede no aplicarse al comprador/propietario.

LA ÚNICA RESPONSABILIDAD DE GENERAC POWER SYSTEMS SERÁ LA REPARACIÓN O REEMPLAZO DE LAS PARTES TAL COMO SE ESPECIFICA ARRIBA. EN NINGÚN CASO GENERAC POWER SYSTEMS SERÁ RESPONSABLE POR CUALQUIER DAÑO INCIDENTAL O CONSECUCIONAL, AÚN SI TALES DAÑOS SEAN UN RESULTADO DIRECTO DE UNA NEGLIGENCIA DE GENERAC POWER SYSTEMS. Algunos estados no permiten la exclusión o limitación de daños incidentales o consecuenciales, así que las limitaciones indicadas arriba pueden no aplicarse al comprador/propietario. El comprador/propietario está de acuerdo en no hacer reclamos contra Generac Power Systems basados en negligencia. Esta garantía le da al comprador/propietario derechos legales específicos. El comprador/propietario también puede tener otros derechos que varían de estado a estado.

**GENERAC POWER SYSTEMS, INC.**

**P.O. BOX 8 • Waukesha, WI 53187**

**Tel: (888) GENERAC (436-3722) • Fax: (262) 544-4851**

**Para ubicar al concesionario autorizado más cercano visite nuestro sitio web: [www.generac.com](http://www.generac.com)**

## Free Manuals Download Website

<http://myh66.com>

<http://usermanuals.us>

<http://www.somanuals.com>

<http://www.4manuals.cc>

<http://www.manual-lib.com>

<http://www.404manual.com>

<http://www.luxmanual.com>

<http://aubethermostatmanual.com>

Golf course search by state

<http://golfingnear.com>

Email search by domain

<http://emailbydomain.com>

Auto manuals search

<http://auto.somanuals.com>

TV manuals search

<http://tv.somanuals.com>