

XG8000E

XG SERIES
Commercial/Residential
Portable Generators

A/C Rated Output Watts: 8000
A/C Maximum Output Watts: 10000

Model 5847-0

UPC Number: 696471058475
Emissions Certification: CSA



features

- GENERAC OHVI ENGINE
- ILLUMINATED CONTROL PANEL
- POWERBAR MONITORS WATT USAGE
- ENGINE CONTROLS LOCATED ON CONTROL PANEL
- FULL-WRAP, HEAVY DUTY FRAME TUBING
- NEVER-FLAT, RALLY-STYLE WHEELS
- HOUR METER WITH MAINTENANCE RESETS
- COVERED OUTLETS FOR PROTECTION FROM THE ELEMENTS
- LOW-OIL SHUTDOWN TO PREVENT ENGINE DAMAGE
- GFCI OUTLET PROTECTION

customer connections

Connection Outlets

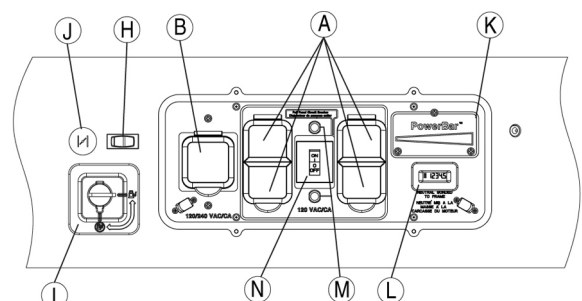
A	4X5-20R.GFCI
B	1XL14-30R

Circuit Breakers

M	(2) 20A
N	(1) 30A

Other Features

H	Off/On/Start Switch
I	Fuel Cut-Off
J	Choke
K	Power Bar
L	Hour Meter



XG8000E

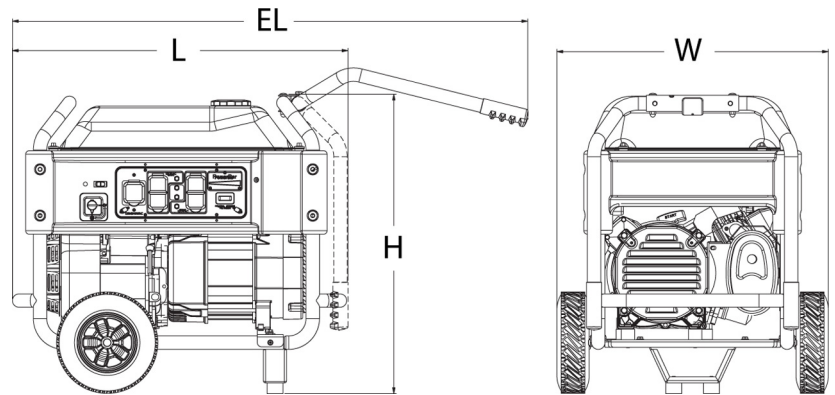
specifications

Product Series	XG8000E
Model	5847-0
Configuration/Emissions	CSA
A/C Rated Output Watts:	8000
A/C Maximum Output Watts:	10000
A/C Voltage	120/240
A/C Frequency	60 Hz
Rated 120/240 VAC Amperage	33.3
Max 120/240 VAC Amperage	41.7
Engine Displacement	410cc
Engine Type	OHVI
Engine RPM	3600
Recommended Oil	SAE 30
Lubrication Method	Full Pressure
Choke Type	On Control Panel
Fuel Shut Off	On Control Panel
Idle Control	Full Speed
Starting Method	Electric/Manual
Battery	Included
Battery Size	12VDC 10 Ahr
Low Oil Shutdown Method	Low Pressure

Start Switch Type	3-Position
Switch Location	On Control Panel
Single-Point Lifting Eye	N/A
Fuel Gauge	Built-in Tank
Fuel Tank Capacity (Gal)	9.00
Fuel Tank Capacity (Ltrs)	34.07
Run Time at 50% (Hours)	10.00
Cord Set	N/A
Handle Style	Folding Interlocked
Wheel type	9.5" Solid Wheels
Maintenance Kit	Included
Warranty - Residential	2 Year
Warranty - Commercial	1 Year

dimensions and weights

Length (L)	31.5
Width (W)	25.5
Height (H)	28.0
Extended Length (EL)	48.5
Carton Length	33.0
Carton Width	26.0
Carton Height	25.0
Unit Weight (lbs)	250.0
Shipping Weight (lbs)	255.0



Free Manuals Download Website

<http://myh66.com>

<http://usermanuals.us>

<http://www.somanuals.com>

<http://www.4manuals.cc>

<http://www.manual-lib.com>

<http://www.404manual.com>

<http://www.luxmanual.com>

<http://aubethermostatmanual.com>

Golf course search by state

<http://golfingnear.com>

Email search by domain

<http://emailbydomain.com>

Auto manuals search

<http://auto.somanuals.com>

TV manuals search

<http://tv.somanuals.com>