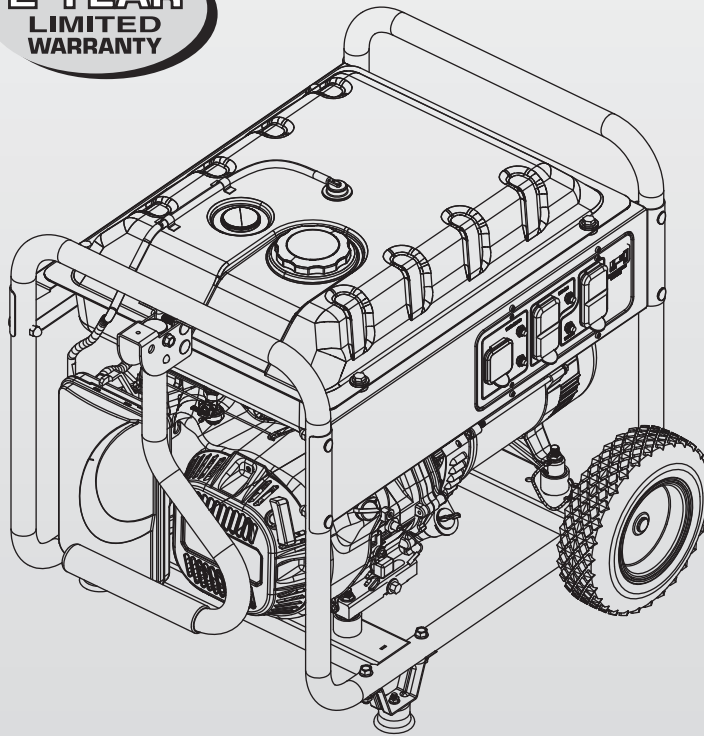


Owner's Manual GP Series Portable Generator

**2 YEAR
LIMITED
WARRANTY**



⚠ DANGER!

- ⚠ DEADLY EXHAUST FUMES! ONLY use OUTSIDE far away from windows, doors and vents!**
- ⚠ NOT INTENDED FOR USE IN CRITICAL LIFE SUPPORT APPLICATIONS.**
- ⚠ SAVE this Manual. Provide this manual to any operator of the generator.**

Table of Contents

Introduction	1	Maintenance	12
Read this Manual Thoroughly	1	3.1 Performing Scheduled Maintenance	12
Safety Rules	1	3.2 Maintenance Schedule	12
Standards Index	3	3.3 Product Specifications.....	12
General Information	4	3.4 General Recommendations.....	13
1.1 Unpacking.....	4	3.5 Service Air Filter.....	14
1.2 Assembly.....	4	3.6 Valve Clearance.....	15
1.3 Emissions Information.....	5	3.7 General	15
Operation	5	3.8 Long Term Storage.....	15
2.1 Know the Generator	5	3.9 Other Storage Tips	15
2.2 Hourmeter.....	6	Troubleshooting	16
2.3 Connection Plugs.....	6	4.1 Troubleshooting Guide.....	16
2.4 How to Use the Generator	7	Notes	17
2.5 Don't Overload the Generator.....	8		
2.6 Wattage Reference Guide	9		
2.7 Before Starting the Generator	9	<hr/>	
2.8 Starting Pull Start Engines.....	10	MANUAL DEL PROPIETARIO	19
2.9 Starting Electric Start Engines	11	MANUEL D'ENTRETIEN	39
2.10 Stopping the Engine	11		
2.11 Low Oil Level Shutdown System	11		
2.12 Charging the Battery (Electric Start Units Only).....	12		

WARNING!

California Proposition 65

Engine exhaust and some of its constituents are known to the state of California to cause cancer, birth defects, and other reproductive harm.

WARNING!

California Proposition 65

This product contains or emits chemicals known to the state of California to cause cancer, birth defects, and other reproductive harm.

INTRODUCTION

Thank you for purchasing this model by Generac Power Systems, Inc. This model is a compact, high performance, air-cooled, engine driven generator designed to supply electrical power to operate electrical loads where no utility power is available or in place of utility due to a power outage.

READ THIS MANUAL THOROUGHLY

If any portion of this manual is not understood, contact the nearest Authorized Dealer for starting, operating and servicing procedures.

The operator is responsible for proper and safe use of the equipment. We strongly recommend that the operator read this manual and thoroughly understand all instructions before using the equipment. We also strongly recommend instructing other users to properly start and operate the unit. This prepares them if they need to operate the equipment in an emergency. Save these instructions for future reference. If you loan this device to someone, ALWAYS loan these instructions to the individual as well.

The generator can operate safely, efficiently and reliably only if it is properly located, operated and maintained. Before operating or servicing the generator:

- Become familiar with and strictly adhere to all local, state and national codes and regulations.
- Study all safety warnings in this manual and on the product carefully.
- Become familiar with this manual and the unit before use.

The manufacturer cannot anticipate every possible circumstance that might involve a hazard. The warnings in this manual, and on tags and decals affixed to the unit are, therefore, not all inclusive. If using a procedure, work method or operating technique that the manufacturer does not specifically recommend, ensure that it is safe for others. Also make sure the procedure, work method or operating technique utilized does not render the generator unsafe.

THE INFORMATION CONTAINED HEREIN WAS BASED ON MACHINES IN PRODUCTION AT THE TIME OF PUBLICATION. GENERAC RESERVES THE RIGHT TO MODIFY THIS MANUAL AT ANY TIME.

SAFETY RULES

Throughout this publication, and on tags and decals affixed to the generator, DANGER, WARNING, CAUTION and NOTE blocks are used to alert personnel to special instructions about a particular operation that may be hazardous if performed incorrectly or carelessly. Observe them carefully. Their definitions are as follows:

DANGER!

INDICATES A HAZARDOUS SITUATION OR ACTION WHICH, IF NOT AVOIDED, WILL RESULT IN DEATH OR SERIOUS INJURY.

WARNING!

Indicates a hazardous situation or action which, if not avoided, could result in death or serious injury.

CAUTION!


Indicates a hazardous situation or action which, if not avoided, could result in minor or moderate injury.

NOTE:

Notes contain additional information important to a procedure and will be found within the regular text body of this manual.

These safety warnings cannot eliminate the hazards that they indicate. Common sense and strict compliance with the special instructions while performing the action or service are essential to preventing accidents.

Four commonly used safety symbols accompany the **DANGER**, **WARNING** and **CAUTION** blocks. The type of information each indicates is as follows:

 **This symbol points out important safety information that, if not followed, could endanger personal safety and/or property of others.**

 **This symbol points out potential explosion hazard.**

 **This symbol points out potential fire hazard.**

 **This symbol points out potential electrical shock hazard.**

Safety Rules

GENERAL HAZARDS

- NEVER operate in an enclosed area, in a vehicle, or indoors EVEN IF doors and windows are open.
- For safety reasons, the manufacturer recommends that the maintenance of this equipment is carried out by an Authorized Dealer. Inspect the generator regularly, and contact the nearest Authorized Dealer for parts needing repair or replacement.
- Operate generator only on level surfaces and where it will not be exposed to excessive moisture, dirt, dust or corrosive vapors.
- Keep hands, feet, clothing, etc., away from drive belts, fans, and other moving parts. Never remove any fan guard or shield while the unit is operating.
- Certain parts of the generator get extremely hot during operation. Keep clear of the generator until it has cooled to avoid severe burns.
- Do NOT operate generator in the rain.
- Do not alter the construction of the generator or change controls which might create an unsafe operating condition.
- Never start or stop the unit with electrical loads connected to receptacles AND with connected devices turned ON. Start the engine and let it stabilize before connecting electrical loads. Disconnect all electrical loads before shutting down the generator.
- Do not insert objects through unit's cooling slots.
- When working on this equipment, remain alert at all times. Never work on the equipment when physically or mentally fatigued.
- Never use the generator or any of its parts as a step. Stepping on the unit can stress and break parts, and may result in dangerous operating conditions from leaking exhaust gases, fuel leakage, oil leakage, etc.

NOTE:

This generator may be equipped with a spark arrestor muffler. The spark arrestor must be maintained in effective working order by the owner/ operator. In the State of California, a spark arrestor is required by law (Section 4442 of the California Public Resources Code). Other states may have similar laws. Federal laws apply on federal lands.

EXHAUST & LOCATION HAZARDS

- **Never operate in an enclosed area or indoors! NEVER use in the home, in a vehicle, or in partly enclosed areas such as garages, EVEN IF doors and windows are open! ONLY use outdoors and far from open windows, doors, vents, and in an area that will not accumulate deadly exhaust.**

⚠ DANGER	
Using a generator indoors CAN KILL YOU IN MINUTES.	
Generator exhaust contains carbon monoxide. This is a poison you cannot see or smell.	
 NEVER use inside a home or garage, EVEN IF doors and windows are open.	 Only use OUTSIDE and far away from windows, doors, and vents.

- The engine exhaust fumes contain carbon monoxide, which you cannot see or smell. This poisonous gas, if breathed in sufficient concentrations, can cause unconsciousness or even death.
- Adequate, unobstructed flow of cooling and ventilating air is critical to correct generator operation. Do not alter the installation or permit even partial blockage of ventilation provisions, as this can seriously affect safe operation of the generator. The generator MUST be operated outdoors.
- This exhaust system must be properly maintained. Do nothing that might render the exhaust system unsafe or in noncompliance with any local codes and/or standards.
- Always use a battery operated carbon monoxide alarm indoors, installed according to the manufacturer's instructions.
- If you start to feel sick, dizzy, or weak after the generator has been running, move to fresh air IMMEDIATELY. See a doctor, as you could have carbon monoxide poisoning.

ELECTRICAL HAZARDS

- The generator produces dangerously high voltage when in operation. Avoid contact with bare wires, terminals, connections, etc., while the unit is running, even on equipment connected to the generator. Ensure all appropriate covers, guards and barriers are in place before operating the generator.
- Never handle any kind of electrical cord or device while standing in water, while barefoot or while hands or feet are wet. **DANGEROUS ELECTRICAL SHOCK MAY RESULT.**
- The National Electric Code (NEC) requires the frame and external electrically conductive parts of the generator be properly connected to an approved earth ground. Local electrical codes may also require proper grounding of the generator. Consult with a local electrician for grounding requirements in the area.
- Use a ground fault circuit interrupter in any damp or highly conductive area (such as metal decking or steel work).
- Do not use worn, bare, frayed or otherwise damaged electrical cord sets with the generator.
- Before performing any maintenance on the generator, disconnect the engine starting battery (if equipped) to prevent accidental start up. Disconnect the cable from the battery post indicated by a NEGATIVE, NEG or (–) first. Reconnect that cable last.
- In case of accident caused by electric shock, immediately shut down the source of electrical power. If this is not possible, attempt to free the victim from the live conductor. **AVOID DIRECT CONTACT WITH THE VICTIM.** Use a non-conducting implement, such as a rope or board, to free the victim from the live conductor. If the victim is unconscious, apply first aid and get immediate medical help.

FIRE HAZARDS

- **Gasoline is highly FLAMMABLE and its vapors are EXPLOSIVE. Never permit smoking, open flames, sparks or heat in the vicinity while handling gasoline.**
- Never add fuel while unit is running or hot. Allow engine to cool completely before adding fuel.
- **Never fill fuel tank indoors.** Comply with all laws regulating storage and handling of gasoline.
- **Do not overfill the fuel tank. Always allow room for fuel expansion.** If tank is over-filled, fuel can overflow onto a hot engine and cause FIRE or an EXPLOSION. Never store generator with fuel in tank where gasoline vapors might reach an open flame, spark or pilot light (as on a furnace, water heater or clothes dryer). FIRE or EXPLOSION may result. Allow unit to cool entirely before storage.
- Wipe up any fuel or oil spills immediately. Ensure that no combustible materials are left on or near the generator. Keep the area surrounding the generator clean and free from debris and keep a clearance of five (5) feet on all side to allow for proper ventilation of the generator.

- Do not insert objects through unit's cooling slots.
- **Never** operate the generator if connected electrical devices overheat, if electrical output is lost, if engine or generator sparks or if flames or smoke are observed while unit is running.
- Keep a fire extinguisher near the generator at all times.

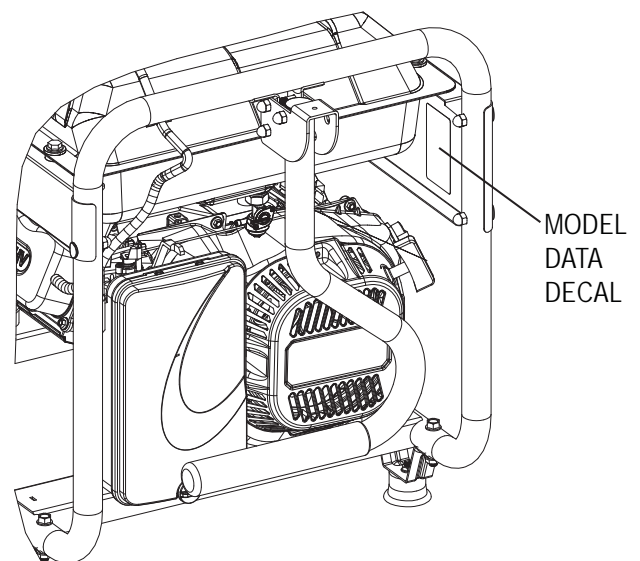
STANDARDS INDEX

1. National Fire Protection Association (NFPA) 70: The NATIONAL ELECTRIC CODE (NEC) available from www.nfpa.org
2. National Fire Protection Association (NFPA) 5000: BUILDING CONSTRUCTION AND SAFETY CODE available from www.nfpa.org
3. International Building Code available from www.iccsafe.org
4. Agricultural Wiring Handbook available from www.nerc.org , Rural Electricity Resource Council P.O. Box 309 Wilmington, OH 45177-0309
5. ASAE EP-364.2 Installation and Maintenance of Farm Standby Electric Power available from www.asabe.org, American Society of Agricultural & Biological Engineers 2950 Niles Road, St. Joseph, MI 49085

This list is not all inclusive. Check with the Authority Having Local Jurisdiction (AHJ) for any local codes or standards which may be applicable to your jurisdiction.

MODEL NO:	
SERIAL NO:	

Unit ID Location



General Information

1.1 UNPACKING

- Remove all packaging material.
- Remove separate accessory box.
- Remove the generator from carton.

1.1.1 ACCESSORIES

Check all contents. If any parts are missing or damaged, locate an authorized dealer at 1-888-436-3722.

- | | |
|--|--------------------------|
| • 1 - Owner's Manual | • 1 - Handle Assembly |
| • 1 - Liter Oil SAE 30 | • 2 - Frame Foot |
| • 2 - Never-Flat Wheels | • 1 - 20' Power Cord |
| • 3 - Product Registration Cards (006110-3 only) | |
| • 1 - Service Warranty | • 1 - Emissions Warranty |
| • 1 - Battery Charger (Electric Start Models) | |
| • 1 - Hardware Bag (containing the following): | |
| – 2-Rubber Feet | – 6-M8 Bolt (Long) |
| – 2-1/2" Axle Pins | – 2-M6 Bolts (Long) |
| – 2-Cotter Pins | – 2-M8 Acorn Nut |
| – 2-1/2" Flat Washers | – 4-Hex Flanged M8 Nuts |
| – 2-Hex Flanged M6 Nuts | |

1.2 ASSEMBLY

The generator requires some assembly prior to using it. If problems arise when assembling the generator, please call the Generator Helpline at 1-888-436-3722.

1.2.1 ASSEMBLING THE ACCESSORY KIT

The wheels are designed into the unit to greatly improve the portability of the generator.

You will need the following tools to properly install the accessory kit.

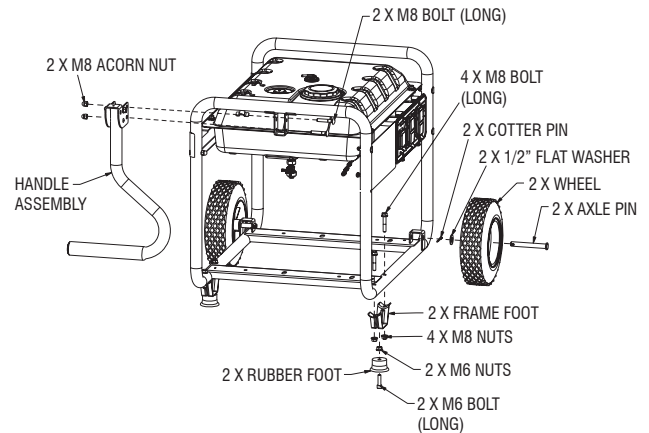
- Needle Nose Pliers
- Ratchet and 8mm, 10mm, and 13mm sockets
- 8mm, 10mm, and 13mm box wrenches

NOTE:

The wheels are not intended for over-the-road use.

1. Refer to Figure 1 and install the Wheels as follows:
 - Slide the Axle Pin through the Wheel, 1/2" Flat Washer, and Wheel Bracket on the frame.
 - Insert the Cotter Pin through the Axle Pin then bend the tabs (of the Cotter Pins) outward to lock into place.
2. Refer to Figure 1 and install the Frame Foot and Rubber Bumpers as shown.
 - Slide the Rubber Bumper studs through the Frame Foot then install the Locking Flange Nuts.
 - Slide the Hex Head Bolts through the holes in the Frame Rail.
 - Slide the Frame Foot onto the Hex Head Bolts then install the Locking Flange Nuts.
3. Refer to Figure 1 and install the Handle as shown.
 - Slide the long Bolts through the Handle Bracket and Handle, then install the Hex Nuts.

Figure 1 – Wheel & Handle Assembly



1.2.2 BATTERY CABLE CONNECTION (ELECTRIC START ONLY)

The unit has been deliberately shipped with the battery cables disconnected.

To connect the battery, you will need two 8mm box wrenches to connect the battery cables. (see Figure 16 for connection details):

1. Cut off cable ties securing battery cables and remove red covers from battery terminals.
2. First, connect the red cable to the positive (+) battery terminal with the bolt and nut supplied.
3. Make sure connections are secure and slide rubber boot over the positive (+) battery terminal and connection hardware.
4. Connect the black cable to the negative (-) battery terminal with the bolt and nut supplied and slide rubber boot over the negative (-) battery terminal and connection hardware.
5. Make sure all connections are secure.

NOTE:

If the battery is unable to start the engine, charge it with the 12V charger included in the accessory box (see the "Charging a Battery" section for details).

1.3 EMISSIONS INFORMATION

The Environmental Protection Agency (and California Air Resource Board for generators certified to CA standards) requires that this generator comply with exhaust and evaporative emission standards. Locate the emissions compliance decal on the engine to determine what standards the generator meets, and to determine which warranty applies. This generator is certified to operate on gasoline. The emission control system includes the following components (if equipped):

- Air Induction System
 - Intake Pipe / Manifold
 - Air Cleaner
- Fuel System
 - Carburetor
 - Fuel Tank / Cap
 - Fuel Lines
 - Evaporative Vent Lines
 - Carbon Canister
- Ignition System
 - Spark Plug
 - Ignition Module
- Exhaust System
 - Exhaust Manifold
 - Muffler
 - Pulsed Air Valve
 - Catalyist

2.1 KNOW THE GENERATOR

Read the Owner's Manual and Safety Rules before operating this generator.

Compare the generator to Figures 2 through 4 to become familiarized with the locations of various controls and adjustments. Save this manual for future reference.

1. **120 Volt AC, 20 Amp, Duplex Receptacle** – Supplies electrical power for the operation of 120 Volt AC, 20 Amp, single-phase, 60 Hz electrical lighting, appliance, tool and motor loads (CARB models are equipped with GFCI outlets).
2. **120/240 Volt AC, 30 Amp Locking Receptacle** – Supplies electrical power for the operation of 120 and/or 240 Volt AC, 30 Amp, single-phase, 60 Hz, electrical lighting, appliance, tool and motor loads.
3. **Circuit Breakers (AC)** – Each receptacle is provided with a push-to-reset circuit breaker to protect the generator against electrical overload.
4. **Oil Drain** – Use to drain engine oil.
5. **Air Filter** – Filters intake air as it is drawn into the engine.
6. **Choke Knob** – Used when starting a cold engine.
7. **Fuel Tank** – See generator Specifications for tank capacity.
8. **Grounding Lug** – Ground the generator to an approved earth ground here. See "Grounding the Generator" for details.
9. **Run/Stop Switch** – Controls the operation of the generator (pull start models).
- 9A. **Start Switch** – Used to start engine from the starter motor (electric start models only).
10. **Muffler** – Quiets the engine.

11. **Handle** – Pivot and retract for storage. Press the spring-loaded button to move handles.
12. **Gas Cap** – Fuel fill location.
13. **Fuel Gauge** – Shows fuel level in tank.
14. **Oil Fill** – Add oil here.
15. **Recoil Starter** – Use to start engine manually.
16. **Fuel Shut Off** – Valve between fuel tank and carburetor.
17. **Roll Over Valve** – Passes fuel to the engine airbox.
18. **Recovery Hose** – Install between the carbon canister and the roll over valve (if equipped).
19. **Hourmeter** – Tracks hours of operation.
20. **Battery Charger Input** – This receptacle allows the capability to recharge the 12 volt DC storage battery provided with the 12 Volt Adaptor Plug Charger which is included in the Accessory Box. Located behind the battery charger input is a 1.50 Amp in-line fuse which is inside the control panel to protect the battery (electric start models only).
21. **Battery** – Powers the electric starter (electric start models only).
22. **Spark Arrestor** – Reduces fire hazards by containing sparks (CARB models only).

Figure 2A - Control Panel (49 State Models)

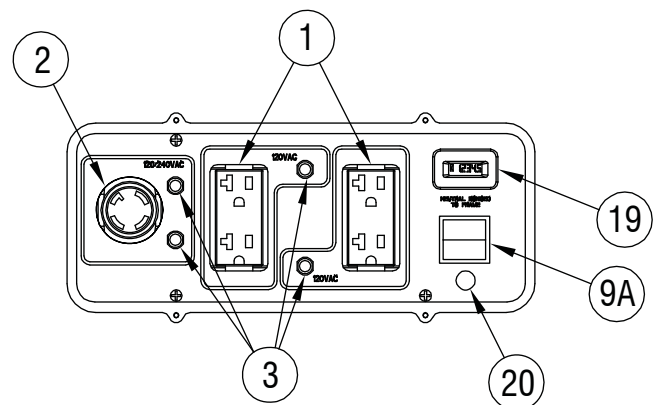


Figure 2B - Control Panel (CARB Models)

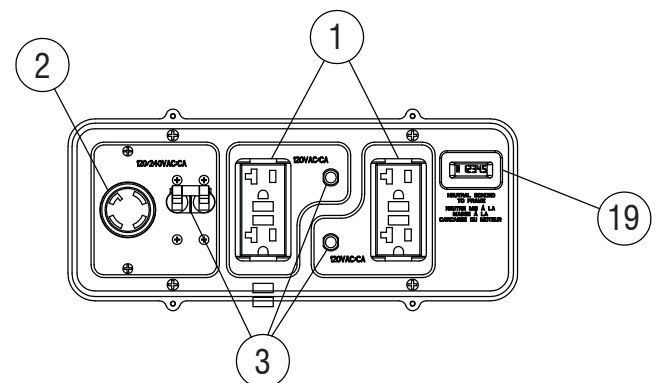


Figure 2C - Control Panel (CSA Models)

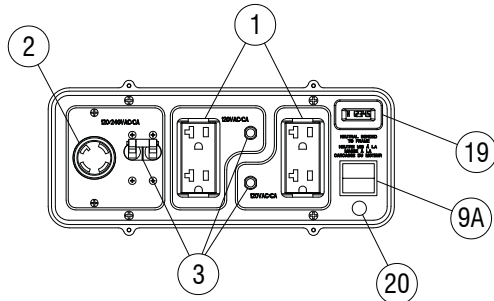


Figure 3 - Generator Controls

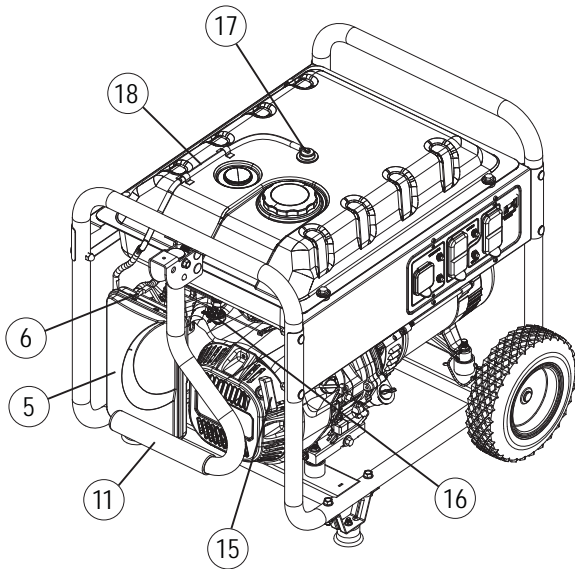
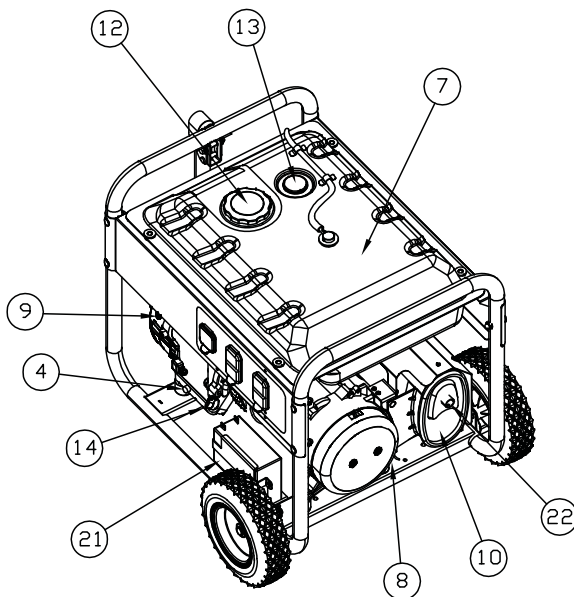


Figure 4 - Generator Controls



2.2 HOURMETER

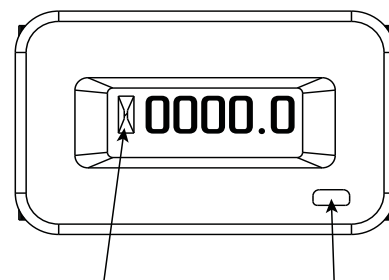
The Hourmeter tracks hours of operation for scheduled maintenance (Figure 5):

There will be a "CHG OIL" message every 100 hours. The message will flash one hour before and one hour after each 100 hour interval, providing a two hour window to perform service.

This message will actually begin flashing at 99 hours and disable itself at 101 hours again, providing a two hour window to perform the service.

Every 200 hours the "SVC" icon on the lower left hand corner of the display will flash. The message will flash one hour before and one hour after each 200 hour interval providing a two hour window to perform service.

Figure 5 - Hourmeter



HOUR GLASS GRAPHIC

RESET BUTTON (IF EQUIPPED)

When the hour meter is in the Flash Alert mode, the maintenance message will always alternate with elapsed time in hours and tenths. The hours will flash four times, then alternate with the maintenance message four times until the meter resets itself.

- 100 hours - CHG OIL — Oil Change Interval (Every 100 hrs)
- 200 hours - SVC — Service Air Filter (Every 200 hrs)

Note:

The hour glass graphic will flash on and off when the engine is running. This signifies that the meter is tracking hours of operation.

2.3 CONNECTION PLUGS

2.3.1 120 VAC, 20 AMP, DUPLEX RECEPTACLE

This is a 120 Volt outlet protected against overload by a 20 Amp push-to-reset circuit breaker (Figure 6). Use each socket to power 120 Volt AC, single phase, 60 Hz electrical loads requiring up to a combined 2400 watts (2.4 kW) or 20 Amps of current. Use only high quality, well-insulated, 3-wire grounded cord sets rated for 125 Volts at 20 Amps (or greater).

Keep extension cords as short as possible, preferably less than 15 feet long, to prevent voltage drop and possible overheating of wires.

Figure 6 - 120 Volt AC, 20 Amp, Duplex Receptacle

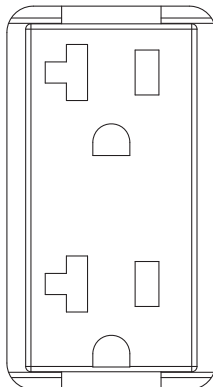
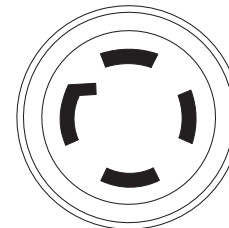


Figure 7 - 120/240 VAC, 30 Amp Receptacle

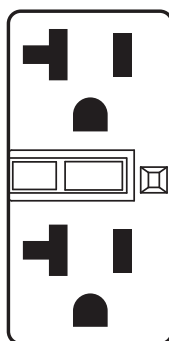


2.3.2 120 VAC, 20 AMP, GFCI DUPLEX RECEPTACLE (CARB ONLY)

This is a 120 Volt outlet protected against overload by a 20 Amp push-to-reset circuit breaker (Figure 6A). Use each socket to power 120 Volt AC, single phase, 60 Hz electrical loads requiring up to a combined 2400 watts (2.4 kW) or 20 Amps of current. Use only high quality, well-insulated, 3-wire grounded cord sets rated for 125 Volts at 20 Amps (or greater).

Keep extension cords as short as possible to prevent voltage drop and possible overheating of wires.

Figure 6A - 120 Volt AC, 20 Amp, GFCI Duplex Receptacle



2.3.3 120/240 VAC, 30 AMP RECEPTACLE

Use a NEMA L14-30 plug with this receptacle (rotate to lock/unlock). Connect a suitable 4-wire grounded cord set to the plug and to the desired load. The cord set should be rated for 250 Volts AC at 30 Amps (or greater) (Figure 7).

Use this receptacle to operate 120 Volt AC, 60 Hz, single phase loads requiring up to 3600 watts (3.6 kW) of power at 30 Amps or 240 Volt AC, 60 Hz, single phase loads requiring up to 7200 watts (7.2 kW) of power at 30 Amps. The outlet is protected by two 25 Amp (5.5kW) or two 30 Amp (6.5kW) push-to-reset or one 30 Amp 2-pole toggle switch or two 30 Amp push button to reset (6.5/7.5kW) circuit breaker.

2.4 HOW TO USE THE GENERATOR

See the "To Start the Engine" section for how to safely start and stop the generator and how to connect and disconnect loads. If there are any problems operating the generator, please call the generator helpline at 1-888-436-3722.

⚠ DANGER!

- ⚠ Never operate in an enclosed area or indoors! NEVER use in the home, in a vehicle, or in partly enclosed areas such as garages, EVEN IF doors and windows are open! ONLY use outdoors and far from open windows, doors, vents, and in an area that will not accumulate deadly exhaust.**
- ⚠ The engine exhaust fumes contain carbon monoxide, which you cannot see or smell. This poisonous gas, if breathed in sufficient concentrations, can cause unconsciousness or even death.**
- ⚠ Adequate, unobstructed flow of cooling and ventilating air is critical to correct generator operation. Do not alter the installation or permit even partial blockage of ventilation provisions, as this can seriously affect safe operation of the generator. The generator MUST be operated outdoors.**
- ⚠ This exhaust system must be properly maintained. Do nothing that might render the exhaust system unsafe or in noncompliance with any local codes and/or standards.**
- ⚠ Always use a battery operated carbon monoxide alarm indoors, installed according to the manufacturer's instructions.**

Operation

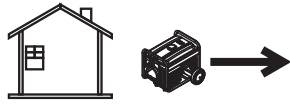
⚠ DANGER

Using a generator indoors **CAN KILL YOU IN MINUTES.**

Generator exhaust contains carbon monoxide. This is a poison you cannot see or smell.



NEVER use inside a home or garage, **EVEN IF** doors and windows are open.



Only use **OUTSIDE** and far away from windows, doors, and vents.

2.4.1 **GROUNDING THE GENERATOR WHEN USED AS A PORTABLE**

This generator has an equipment ground that connects the generator frame components to the ground terminals on the AC output receptacles (see NEC 250.34 (A) for explanation). This allows the generator to be used as a portable without grounding the frame of the generator as specified in NEC 250.34.

Special Requirements

There may be Federal or State Occupational Safety and Health Administration (OSHA) regulations, local codes, or ordinances that apply to the intended use of the generator.

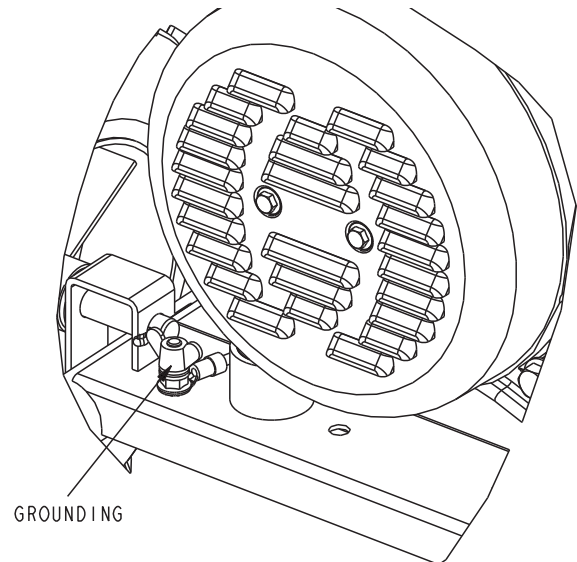
Please consult a qualified electrician, electrical inspector, or the local agency having jurisdiction:

- In some areas, generators are required to be registered with local utility companies.
- If the generator is used at a construction site, there may be additional regulations which must be observed.

2.4.2 **CONNECTING THE GENERATOR TO A BUILDING'S ELECTRICAL SYSTEM**

When connecting directly to a building's electrical system, it is recommended that a manual transfer switch is used. Connections for a portable generator to a building's electrical system must be made by a qualified electrician and in strict compliance with all national and local electrical codes and laws.

Figure 8 - Grounding the Generator



2.5 **DON'T OVERLOAD THE GENERATOR**

Overloading a generator in excess of its rated wattage capacity can result in damage to the generator and to connected electrical devices. Observe the following to prevent overloading the unit:

- Add up the total wattage of all electrical devices to be connected at one time. This total should **NOT** be greater than the generator's wattage capacity.
- The rated wattage of lights can be taken from light bulbs. The rated wattage of tools, appliances and motors can usually be found on a data label or decal affixed to the device.
- If the appliance, tool or motor does not give wattage, multiply volts times ampere rating to determine watts (volts x amps = watts).
- Some electric motors, such as induction types, require about three times more watts of power for starting than for running. This surge of power lasts only a few seconds when starting such motors. Make sure to allow for high starting wattage when selecting electrical devices to connect to the generator:
 1. Figure the watts needed to start the largest motor.
 2. Add to that figure the running watts of all other connected loads.

The Wattage Reference Guide is provided to assist in determining how many items the generator can operate at one time.

NOTE:

All figures are approximate. See data label on appliance for wattage requirements.

2.6 WATTAGE REFERENCE GUIDE

Device	Running Watts
*Air Conditioner (12,000 Btu)	1700
*Air Conditioner (24,000 Btu)	3800
*Air Conditioner (40,000 Btu)	6000
Battery Charger (20 Amp)	500
Belt Sander (3")	1000
Chain Saw	1200
Circular Saw (6-1/2")	.800 to 1000
*Clothes Dryer (Electric)	5750
*Clothes Dryer (Gas)	700
*Clothes Washer	1150
Coffee Maker	1750
*Compressor (1 HP)	2000
*Compressor (3/4 HP)	1800
*Compressor (1/2 HP)	1400
Curling Iron	700
*Dehumidifier	650
Disc Sander (9")	1200
Edge Trimmer	500
Electric Blanket	400
Electric Nail Gun	1200
Electric Range (per element)	1500
Electric Skillet	1250
*Freezer	700
*Furnace Fan (3/5 HP)	875
*Garage Door Opener	.500 to 750
Hair Dryer	1200
Hand Drill	.250 to 1100
Hedge Trimmer	450
Impact Wrench	500
Iron	1200
*Jet Pump	800
Lawn Mower	1200
Light Bulb	100
Microwave Oven	.700 to 1000
*Milk Cooler	1100
Oil Burner on Furnace	300
Oil Fired Space Heater (140,000 Btu)	400
Oil Fired Space Heater (85,000 Btu)	225
Oil Fired Space Heater (30,000 Btu)	150
*Paint Sprayer, Airless (1/3 HP)	600
Paint Sprayer, Airless (handheld)	150
Radio	.50 to 200
*Refrigerator	700
Slow Cooker	200
*Submersible Pump (1-1/2 HP)	2800
*Submersible Pump (1 HP)	2000
*Submersible Pump (1/2 HP)	1500
*Sump Pump	.800 to 1050
*Table Saw (10")	1750 to 2000
Television	.200 to 500
Toaster	1000 to 1650
Weed Trimmer	500

* Allow 3 times the listed watts for starting these devices.

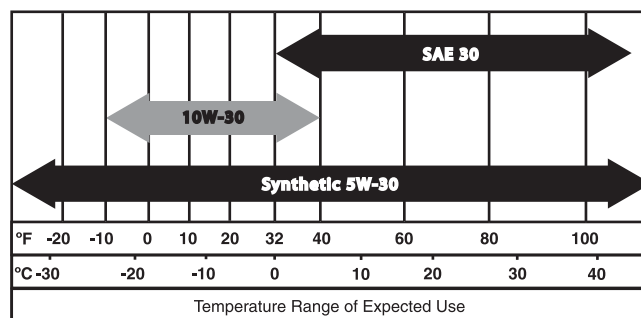
2.7 BEFORE STARTING THE GENERATOR

Prior to operating the generator, engine oil and gasoline will need to be added, as follows:

2.7.1 ADDING ENGINE OIL

All oil should meet minimum American Petroleum Institute (API) Service Class SJ, SL or better. Use no special additives. Select the oil's viscosity grade according to the expected operating temperature (also see chart).

- Above 40° F, use SAE 30
- Below 40° F and down to 10° F, use 10W-30
- All temperatures, use synthetic 5W-30



⚠ CAUTION!

⚠ Any attempt to crank or start the engine before it has been properly serviced with the recommended oil may result in an engine failure.

1. Place generator on a level surface (not to exceed 15° in any direction).
2. Clean area around oil fill and remove oil fill cap and dipstick.
3. Wipe dipstick clean.
4. Slowly fill engine with oil through the oil fill opening until it reaches the full mark. Stop filling occasionally to check oil level. **Be careful not to over fill.**
5. Install oil fill cap and finger tighten securely.
6. Check engine oil level before starting each time thereafter.

2.7.2 ADDING GASOLINE

⚠ DANGER!

⚠ Never fill fuel tank indoors. Never fill fuel tank when engine is running or hot. Avoid spilling gasoline on a hot engine. Allow engine to cool entirely before filling fuel tank. DO NOT light a cigarette or smoke when filling the fuel tank.

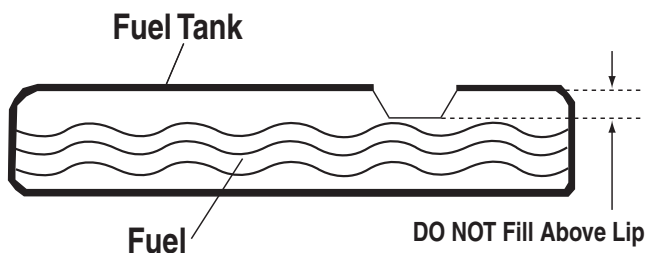
⚠ Do not overfill the fuel tank. Always leave room for fuel expansion. If the fuel tank is overfilled, fuel can overflow onto a hot engine and cause FIRE or EXPLOSION. Wipe up any spilled fuel immediately.

Operation

⚠ Never light a cigarette or smoke when filling the fuel tank. Gasoline is highly **FLAMMABLE** and its vapors are **EXPLOSIVE**. Never permit smoking, open flames, sparks or heat in the vicinity while handling gasoline.

1. Use regular UNLEADED gasoline with the generator engine. Do not use any gasoline with more than 10% added ethanol. Do not use E85 gasoline. Do not mix oil with gasoline.
2. Clean area around fuel fill cap, remove cap.
3. Slowly add unleaded regular gasoline to fuel tank. **Be careful not to overfill** (Figure 9).
4. Install fuel cap and wipe up any spilled gasoline.

Figure 9 - Fuel Tank



IMPORTANT: It is important to prevent gum deposits from forming in fuel system parts such as the carburetor, fuel hose or tank during storage. Alcohol-blended fuels (called gasohol, ethanol or methanol) can attract moisture, which leads to separation and formation of acids during storage. Acidic gas can damage the fuel system of an engine while in storage. To avoid engine problems, the fuel system should be emptied before storage of 30 days or longer. See the "Storage" section. Never use engine or carburetor cleaner products in the fuel tank as permanent damage may occur.

2.8 STARTING PULL START ENGINES

⚠ WARNING!

⚡ Never start or stop engine with electrical devices plugged into the receptacles **AND** devices turned on.

1. Unplug all electrical loads from the unit's receptacles before starting the engine.
2. Make sure the unit is in a level position (not to exceed 15° in any direction).
3. OPEN the Fuel Shut-off Valve (Figure 10).
4. Turn engine RUN/STOP switch to ON position (Figure 11).
5. Slide engine choke to the LEFT to FULL CHOKE position (Figure 12).
6. To start engine, firmly grasp the recoil handle and pull slowly until increased resistance is felt. Pull rapidly up and away.
7. When engine starts, move choke knob to 1/2-CHOKE position until engine runs smoothly and then fully into RUN position. If engine falters, move choke back out to 1/2-CHOKE position until engine runs smoothly and then to RUN position.

NOTE:

If engine fires, but does not continue to run, move choke lever to **FULL CHOKE** and repeat starting instructions.

IMPORTANT: Do not overload the generator. Also, do not overload individual panel receptacles. These outlets are protected against overload with push-to-reset-type circuit breakers. If amperage rating of any circuit breaker is exceeded, that breaker opens and electrical output to that receptacle is lost. Read "Don't Overload the Generator" carefully.

Figure 10 - Fuel Shut-off Valve

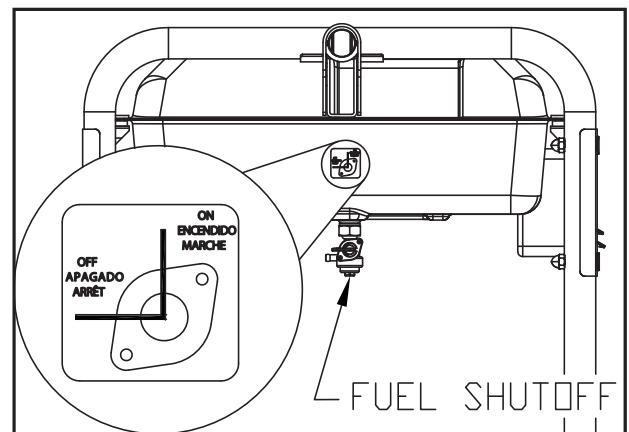


Figure 11 - Engine ON/OFF Switch

**ENGINE ON/OFF SWITCH
(PULL START ENGINES ONLY)**

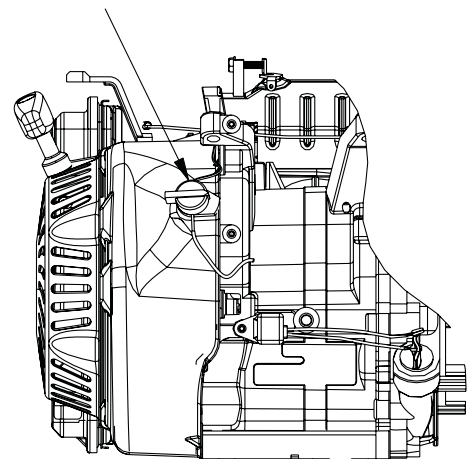
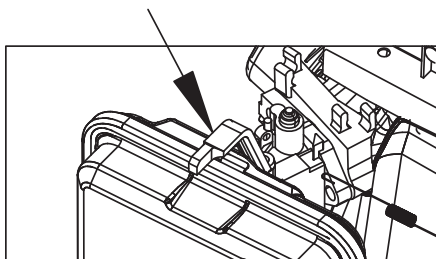


Figure 12 - Choke Position

CHOKE LEVER
LEFT = CHOKE (START)
RIGHT = RUN



2.9 STARTING ELECTRIC START ENGINES

⚠ WARNING!

⚠ Never start or stop engine with electrical devices plugged into the receptacles AND devices turned on.

1. Unplug all electrical loads from the unit's receptacles before starting the engine.
2. Make sure the unit is in a level position (not to exceed 15° in any direction).
3. Open the fuel shut-off valve (Figures 10).
4. Move engine CHOKE knob outward to FULL CHOKE position (Figure 12).
5. To start engine, press and hold the Start/Run/Stop switch in the "Start" position. The engine will crank and attempt to start. When the engine starts, release the switch to the run position.
6. When the engine starts, move choke knob to "1/2 Choke" position until the engine runs smoothly and then fully in to the "Run" position. If engine falters, move choke knob back out to "1/2 Choke" position until the engine runs smoothly and then to "Run" position.

2.9.1 MANUAL START

This generator is also equipped with a manual recoil starter which may be used if the battery is discharged.

NOTE:

The switch must be in the RUN position. Use one of the generator's receptacle outlets along with the included battery charger to charge the battery while the generator is running.

- To start manually, firmly grasp the recoil handle and pull slowly until increased resistance is felt. Pull rapidly up and away to start engine. Then follow the same choke sequence.

NOTE:

If engine fires, but does not continue to run, move choke lever to FULL CHOKE and repeat starting instructions.

IMPORTANT: Do not overload the generator. Also, do not overload individual panel receptacles. These outlets are protected against overload with push-to-reset-type circuit breakers. If amperage rating of any circuit breaker is exceeded, that breaker opens and electrical output to that receptacle is lost. Read "Don't Overload the Generator" carefully.

2.10 STOPPING THE ENGINE

1. Shut off all loads, then unplug the electrical loads from generator panel receptacles. Never start or stop the engine with electrical devices plugged in and turned on.
2. Let engine run at no-load for several minutes to stabilize the internal temperatures of engine and generator.
3. Move Run/Stop switch to OFF position.
4. Close fuel valve.

2.11 LOW OIL LEVEL SHUTDOWN SYSTEM

The engine is equipped with a low oil level sensor that shuts down the engine automatically when the oil level drops below a specified level. If the engine shuts down by itself and the fuel tank has enough gasoline, check engine oil level.

2.11.1 SENSING LOW OIL LEVEL

If the system senses a low oil level during operation, the engine shuts down. The engine will not run until the oil has been refilled to the proper level.

2.12 CHARGING THE BATTERY (ELECTRIC START UNITS ONLY)

⚠ DANGER!

⚠ Storage batteries give off explosive hydrogen gas while recharging. An explosive mixture will remain around the battery for a long time after it has been charged. The slightest spark can ignite the hydrogen and cause an explosion. Such an explosion can shatter the battery and cause blindness or other serious injury.

⚠ DANGER!

⚠ Do not permit smoking, open flame, sparks or any other source of heat around a battery. Wear protective goggles, rubber apron and rubber gloves when working around a battery. Battery electrolyte fluid is an extremely corrosive sulfuric acid solution that can cause severe burns. If spill occurs flush area with clear water immediately.

NOTE:

The battery shipped with the generator has been fully charged. A battery may lose some of its charge when not in use for prolonged periods of time. If the battery is unable to crank the engine, plug in the 12V charger included in the accessory box. RUNNING THE GENERATOR DOES NOT CHARGE THE BATTERY.

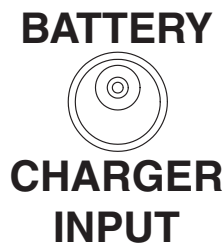
Use battery charger plug to keep the battery charged and ready for use. Battery charging should be done in a dry location.

1. Plug charger into "Battery Charger Input" jack, located on the control panel. Plug wall receptacle end of the battery charger into a 120 Volt AC wall outlet.
2. Unplug battery charger from wall outlet and control panel jack when generator is going to be in use.

NOTE:

Do not use the battery charger for more than 48 hours at one charge.

Figure 13 - Battery Charger Jack



3.1 PERFORMING SCHEDULED MAINTENANCE

It is important to perform service as specified in the Maintenance Schedule for proper generator operation, and to ensure that the generator complies with the applicable emission standards for the duration of its useful life. Service and repairs may be performed by any capable person or repair shop. Additionally, emissions critical maintenance must be performed as scheduled in order for the Emissions Warranty to be valid. Emissions critical maintenance consists of servicing the air filter and spark plugs in accordance with the Maintenance Schedule.

3.2 MAINTENANCE SCHEDULE

Follow the calendar intervals. More frequent service is required when operating in adverse conditions noted below.

Check Oil Level	At Each Use
Change Oil ‡	*Every 100 hours or Every Season
Check Valve Clearance	***Every Season
Service Air Filter	** Every 200 hours or Every Season
Replace Spark Plug	Every Season

- ‡ Change oil after first 30 hours of operation then every season.
- * Change oil and oil filter every month when operating under heavy load or in high temperatures.
- ** Clean more often under dirty or dusty operating conditions. Replace air filter parts if they cannot be adequately cleaned.
- *** Check valve clearance and adjust if necessary after first 50 hours of operation and every 100 hours thereafter.

3.3 PRODUCT SPECIFICATIONS

3.3.1 GENERATOR SPECIFICATIONS

Rated Power	5.5/6.5/7.5 kW**
Surge Power	6.875/8.125/9.375 kW
Rated AC Voltage	120/240
Rated AC Load	
Current @ 240V (5.5/6.5/7.5 kW)	22.9/27.1/31.3 Amps**
Current @ 120V (5.5/6.5/7.5 kW)	45.8/54.2/62.5 Amps**
Rated Frequency	60 Hz @ 3600 RPM
Phase	Single Phase

** Operating Temperature Range : -18 deg. C (0 deg. F) to 40 Deg. C (104 Deg. F). When operated above 25 deg. C (77 deg. F) there may be a decrease in power.

** Maximum wattage and current are subject to, and limited by, such factors as fuel Btu content, ambient temperature, altitude, engine condition, etc..
Maximum power decreases about 3.5% for each 1,000 feet above sea level; and will also decrease about 1% for each 6° C (10° F) above 16° C (60° F) ambient temperature.

3.3.2 ENGINE SPECIFICATIONS

5.5/6.5kW

Displacement	389 cc
Spark Plug Type	NHSP LDF7TC or Champion N9YC
Spark Plug Part No.	0G84420101
Spark Plug Gap	0.028-0.031 inch or (0.70-0.80 mm)
Gasoline Capacity	25.6 L (6.77 U.S. gallons)
Oil Type.....	See Chart in "Before Starting the Generator" Section
Oil Capacity	1.0 L (1.06 Qts.)
Run Time at 50% Load (5.5/6.5 kW)	11 Hours / 10 Hours

7.5 kW

Displacement	420cc
Spark Plug Type	Champion N9YC or NHSP LDF7TC
Spark Plug Part No.	0G84420101
Spark Plug Gap	0.028-0.031 inch or (0.70-0.80 mm)
Gasoline Capacity	28.4 L (7.5 U.S. gallons)
Oil Type.....	See Chart in "Before Starting the Generator" Section
Oil Capacity	1.0 Liters (1.06 Qts.)
Run Time (50% Load).....	12 Hours

3.4 GENERAL RECOMMENDATIONS

The warranty of the generator does not cover items that have been subjected to operator abuse or negligence. To receive full value from the warranty, the operator must maintain the generator as instructed in this manual.

Some adjustments will need to be made periodically to properly maintain the generator.

All adjustments in the Maintenance section of this manual should be made at least once each season. Follow the requirements in the "Maintenance Schedule".

NOTE:

Once a year replace the spark plug and replace the air filter. A new spark plug and clean air filter assure proper fuel-air mixture and help the engine run better and last longer.

3.4.1 GENERATOR MAINTENANCE

Generator maintenance consists of keeping the unit clean and dry. Operate and store the unit in a clean dry environment where it will not be exposed to excessive dust, dirt, moisture or any corrosive vapors. Cooling air slots in the generator must not become clogged with snow, leaves, or any other foreign material.

Check the cleanliness of the generator frequently and clean when dust, dirt, oil, moisture or other foreign substances are visible on its exterior surface.

▲ CAUTION!

⚠ **Never insert any object or tool through the air cooling slots, even if the engine is not running.**

NOTE:

DO NOT use a garden hose to clean generator. Water can enter the engine fuel system and cause problems. In addition, if water enters the generator through cooling air slots, some water will be retained in voids and crevices of the rotor and stator winding insulation. Water and dirt buildup on the generator internal windings will eventually decrease the insulation resistance of these windings.

3.4.2 TO CLEAN THE GENERATOR

- Use a damp cloth to wipe exterior surfaces clean.
- A soft, bristle brush may be used to loosen caked on dirt, oil, etc.
- A vacuum cleaner may be used to pick up loose dirt and debris.
- Low pressure air (not to exceed 25 psi) may be used to blow away dirt. Inspect cooling air slots and openings on the generator. These openings must be kept clean and unobstructed.

3.4.3 ENGINE MAINTENANCE

▲ DANGER!

⚠ **When working on the generator, always disconnect spark plug wire from spark plug and keep wire away from spark plug.**

3.4.4 CHECKING OIL LEVEL

See the "Before Starting the Generator" section for information on checking the oil level. The oil level should be checked before each use, or at least every eight hours of operation. Keep the oil level maintained.

3.4.5 CHANGING THE OIL

Change the oil after every 100 hours. If running this unit under dirty or dusty conditions, or in extremely hot weather, change the oil more often.

▲ CAUTION!

⚠ **Hot oil may cause burns. Allow engine to cool before draining oil. Avoid prolonged or repeated skin exposure with used oil. Thoroughly wash exposed areas with soap.**

Use the following instructions to change the oil after the engine cools down:

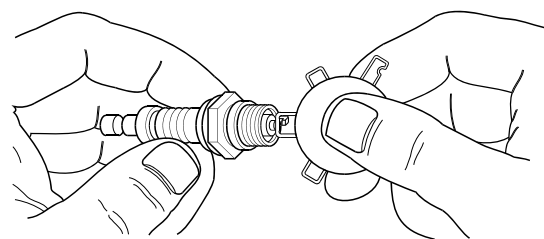
1. Clean area around oil drain plug.
2. Remove oil drain plug from engine and oil fill plug to drain oil completely into a suitable container.
3. When oil has completely drained, install oil drain plug and tighten securely.
4. Fill engine with recommended oil. (See "Before Starting the Generator" for oil recommendations).
5. Wipe up any spilled oil.
6. Dispose of used oil at a proper collection center.

3.4.6 REPLACING THE SPARK PLUG

Use Champion N9YC spark plug or equivalent. **Replace the plug every 200 hours.** This will help the engine start easier and run better.

1. Stop the engine and pull the spark plug wire off of the spark plug.
2. Clean the area around the spark plug and remove it from the cylinder head.
3. Set the spark plug's gap to 0.70-0.80 mm (0.028-0.031 in.). Install the correctly gapped spark plug into the cylinder head (Figure 14).

Figure 14 - Spark Plug Gap



3.4.7 BATTERY REPLACEMENT (IF APPLICABLE)

NOTE:

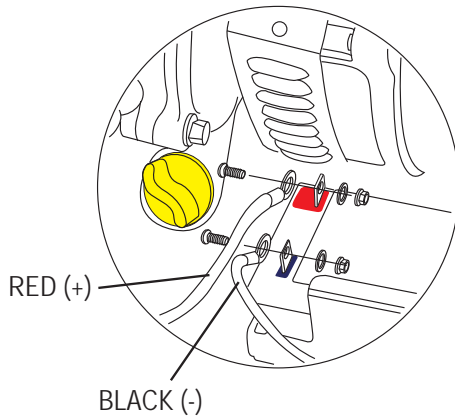
The battery shipped with the generator has been fully charged. A battery may lose some of its charge when not in use for prolonged periods of time. If the battery is unable to crank the engine, plug in the 12V charger included in the accessory box (see the Charging a Battery section). **RUNNING THE GENERATOR DOES NOT CHARGE THE BATTERY.** The part number for this battery is 0G9449.

▲ CAUTION!

⚠ **The NEGATIVE battery terminal should:**

1. Always be **DISCONNECTED FIRST.**
2. Always be **CONNECTED LAST.**

Figure 15 - Battery Connections



3.5 SERVICE AIR FILTER

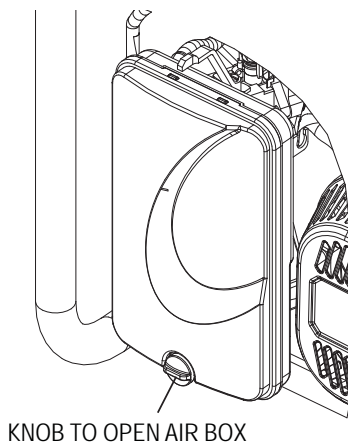
The engine will not run properly and may be damaged if using a dirty air filter. Clean the air filter every 50 hours or once a year (Figure 16). Clean or replace more often if operating under dusty conditions. The air filter part number is 0G84420151.

1. Remove air filter cover.
2. Wash in soapy water. Squeeze filter dry in clean cloth (DO NOT TWIST).
3. Clean air filter cover before re-installing it.

NOTE:

To order a new air filter, please contact the nearest authorized service center at 1-888-436-3722.

Figure 16 - Air Filter



3.5.1 CLEAN SPARK ARRESTOR SCREEN (CARB MODELS)

The engine exhaust muffler has a spark arrestor screen. Inspect and clean the screen at least once each year (Figure 17). If unit is used regularly, inspect and clean more often.

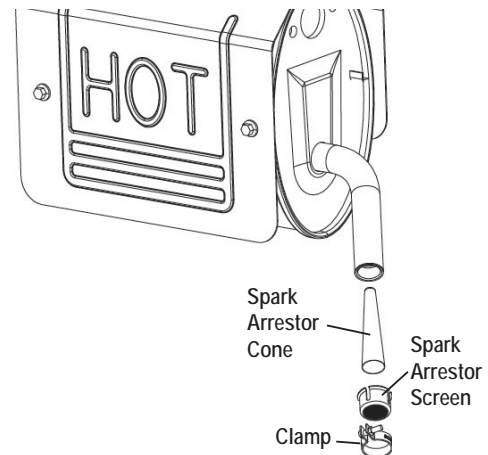
⚠ DANGER!

⚠ If using the generator on any forest-covered, brush-covered or grass-covered unimproved land, it must be equipped with a spark arrestor. The spark arrestor must be maintained in good condition by the owner/operator.

Clean and inspect the spark arrestor when the engine is at ambient temperature as follows:

1. Remove the spark arrestor screen from the muffler by loosening the clamp and removing the screw.
2. Inspect screen and replace if torn, perforated or otherwise damaged. DO NOT USE a defective screen. If screen is not damaged, clean it with commercial solvent.
3. Replace the spark arrestor and secure with the clamp and screw.

Figure 17 - Spark Arrestor Screen



NOTE:

To order a new air filter or spark arrestor screen, please contact the nearest authorized service center at 1-800-333-1322.

3.6 VALVE CLEARANCE

- Intake — $0.15 \pm 0.02\text{mm}$ (cold), ($0.006'' \pm 0.0008''$ inches)
- Exhaust — $0.20 \pm 0.02\text{mm}$ (cold) ($0.008'' \pm 0.0008''$ inches)


After the first 50 hours of operation, check the valve clearance in the engine and adjust if necessary.


Important: If feeling uncomfortable about doing this procedure or the proper tools are not available, please take the generator to the nearest service center to have the valve clearance adjusted. This is a very important step to ensure longest life for the engine.

3.7 GENERAL

The generator should be started at least once every 30 days and be allowed to run at least 30 minutes. If this cannot be done and the unit must be stored for more than 30 days, use the following information as a guide to prepare it for storage.

DANGER!

 **NEVER store engine with fuel in tank indoors or in enclosed, poorly ventilated areas where fumes may reach an open flame, spark or pilot light as on a furnace, water heater, clothes dryer or other gas appliance.**

 **Allow unit to cool entirely before storage.**

3.8 LONG TERM STORAGE

It is important to prevent gum deposits from forming in essential fuel system parts such as the carburetor, fuel hose or tank during storage. Also, experience indicates that alcohol-blended fuels (called gasohol, ethanol or methanol) can attract moisture, which leads to separation and formation of acids during storage. Acidic gas can damage the fuel system of an engine while in storage.

To avoid engine problems, the fuel system should be emptied before storage of 30 days or longer, as follows:


1. Add a quality gasoline stabilizer to the fuel per the manufacturer's specifications, and run the unit for 10-15 minutes.
2. After engine cools down, remove all gasoline from the fuel tank. Use a commercially available, non-conductive vacuum siphon.

DANGER!

 **Drain fuel into approved container outdoors, away from open flame. Be sure engine is cool. Do not smoke.**

3. Start and run engine until engine stops from lack of fuel.
4. After engine cools down, drain oil from engine. Refill with recommended grade.
5. Remove spark plug and pour about 1/2 ounce (15 ml) of engine oil into the cylinder. Cover spark plug hole with rag. Pull the recoil starter a couple times to lubricate the piston rings and cylinder bore. A fogging agent can also be used in the place of oil.

CAUTION!

 **Avoid spray from spark plug hole when cranking engine.**

6. Install and tighten spark plug. Do not connect spark plug wire.
7. Clean the generator outer surfaces. Check that cooling air slots and openings on generator are open and unobstructed.
8. Store the unit in a clean, dry place.

3.9 OTHER STORAGE TIPS

- Do not store gasoline from one season to another.
- Replace the gasoline can if it starts to rust. Rust and/or dirt in the gasoline will cause problems with the carburetor and fuel system.
- If possible, store the unit indoors and cover it to give protection from dust and dirt. **BE SURE TO EMPTY THE FUEL TANK.**
- If it is not practical to empty the fuel tank and the unit is to be stored for some time, use a commercially available fuel stabilizer added to the gasoline to increase the life of the gasoline. Run the unit for 10-15 minutes, turn off the fuel valve and allow to run until engine stops from lack of fuel.
- Cover the unit with a suitable protective cover that does not retain moisture.

DANGER!

 **NEVER cover the generator while engine and exhaust areas are warm.**

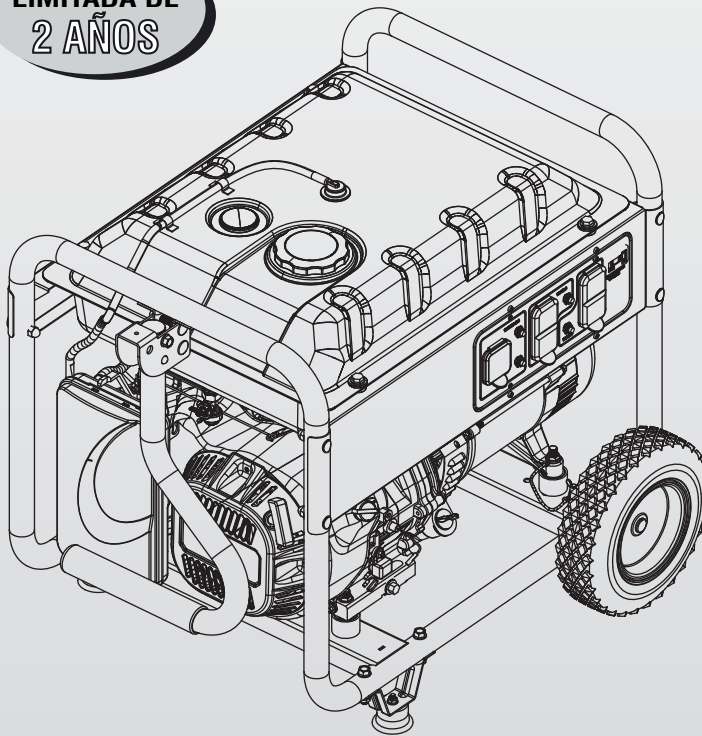
Troubleshooting

4.1 TROUBLESHOOTING GUIDE

PROBLEM	CAUSE	CORRECTION
Engine is running, but no AC output is available.	<ol style="list-style-type: none"> 1. Circuit breaker is open. 2. Poor connection or defective cord set. 3. Connected device is bad. 4. Fault in generator. 	<ol style="list-style-type: none"> 1. Reset circuit breaker. 2. Check and repair. 3. Connect another device that is in good condition. 4. Contact Authorized Service Facility.
Engine runs well but bogs down when loads are connected.	<ol style="list-style-type: none"> 1. Short circuit in a connected load. 2. Generator is overloaded. 3. Engine speed is too slow. 4. Shorted generator circuit. 	<ol style="list-style-type: none"> 1. Disconnect shorted electrical load. 2. See "Don't Overload the Generator" . 3. Contact Authorized Service Facility. 4. Contact Authorized Service Facility.
Engine will not start; or starts and runs rough.	<ol style="list-style-type: none"> 1. Fuel Shut-off is OFF. 2. Dirty air filter. 3. Out of gasoline. 4. Stale gasoline. 5. Spark plug wire not connected to spark plug. 6. Bad spark plug. 7. Water in gasoline. 8. Overchoking. 9. Low oil level. 10. Excessive rich fuel mixture. 11. Intake valve stuck open or closed. 12. Engine has lost compression. 	<ol style="list-style-type: none"> 1. Turn Fuel Shut-off ON. 2. Clean or replace air filter. 3. Fill fuel tank. 4. Drain fuel tank and fill with fresh fuel. 5. Connect wire to spark plug. 6. Replace spark plug. 7. Drain fuel tank; fill with fresh fuel. 8. Put choke knob to No Choke position. 9. Fill crankcase to proper level. 10. Contact Authorized Service Facility. 11. Contact Authorized Service Facility. 12. Contact Authorized Service Facility.
Engine shuts down during operation.	<ol style="list-style-type: none"> 1. Out of gasoline. 2. Low oil level. 3. Fault in engine. 	<ol style="list-style-type: none"> 1. Fill fuel tank. 2. Fill crankcase to proper level. 3. Contact Authorized Service Facility.
Engine lacks power.	<ol style="list-style-type: none"> 1. Load is too high. 2. Dirty air filter. 3. Engine needs to be serviced. 	<ol style="list-style-type: none"> 1. Reduce load (see "Don't Overload the Generator"). 2. Clean or replace air filter. 3. Contact Authorized Service Facility.
Engine "hunts" or falters.	<ol style="list-style-type: none"> 1. Choke is opened too soon. 2. Carburetor is running too rich or too lean. 	<ol style="list-style-type: none"> 1. Move choke to halfway position until engine runs smoothly. 2. Contact Authorized Service Facility.

Manual del propietario Generador portátil Serie GP

GARANTÍA
LIMITADA DE
2 AÑOS



⚠ PELIGRO

- ⚠ ¡GASES DE ESCAPE MORTALES! ¡Use ÚNICAMENTE EN EXTERIORES, lejos de ventanas, puertas y ventilaciones!
- ⚠ NO ESTÁ DESTINADO AL USO EN APLICACIONES CRÍTICAS DE SOPORTE A LA VIDA HUMANA.
- ⚠ GUARDE este manual. Proporcione este manual a todos los operadores del generador.

Introducción	21	Mantenimiento	32
Lea este manual minuciosamente	21	3.1 Realización del mantenimiento programado	32
Reglas de seguridad	21	3.2 Programa de mantenimiento	32
Índice de normas	23	3.3 Especificaciones del producto	32
Información general	24	3.4 Recomendaciones generales	33
1.1 Desembalaje	24	3.5 Servicio del filtro de aire	34
1.2 Armado	24	3.6 Holgura de válvulas	35
1.3 Información sobre emisiones	25	3.7 Generalidades	35
Funcionamiento	25	3.8 Almacenamiento a largo plazo	35
2.1 Conozca el generador	25	3.9 Otros consejos sobre el almacenamiento	35
2.2 Horómetro	26	Resolución de problemas	36
2.3 Enchufes de conexión	26	4.1 Guía de resolución de problemas	36
2.4 Cómo usar el generador	27	Notas	37
2.5 No sobrecargue el generador	28		
2.6 Guía de referencia de potencia en watts	29		
2.7 Antes de arrancar el generador	29		
2.8 Arranque de motores con arranque con tirador	30		
2.9 Arranque de motores con arranque eléctrico	31		
2.10 Parada del motor	31		
2.11 Sistema de apagado por nivel de aceite bajo	31		
2.12 Carga de la batería (unidades con arranque eléctrico solamente)	32		

ADVERTENCIA!

Proposición 65 de California

El escape del motor y algunos de sus componentes son conocidos por el Estado de California como causa de cáncer, defectos congénitos y otros daños reproductivos.

ADVERTENCIA!

Proposición 65 de California

Este producto contiene o emite sustancias químicas que son conocidas por el Estado de California como causa de cáncer, defectos congénitos y otros daños reproductivos.

INTRODUCCIÓN

Muchas gracias por haber comprado este modelo de Generac Power Systems, Inc. Este modelo es un generador impulsado por motor, compacto, de alto rendimiento y enfriado por aire diseñado para suministrar alimentación eléctrica para utilizar cargas eléctricas donde no haya alimentación de servicio público disponible o como reemplazo de dicha alimentación debido a un apagón.

LEA ESTE MANUAL MINUCIOSAMENTE

Si una parte de este manual no se comprende, comuníquese con el concesionario autorizado más cercano para conocer los procedimientos de arranque, operación y mantenimiento.

El operador es responsable del uso correcto y seguro del equipo. Recomendamos firmemente que el operador lea este manual y comprenda completamente todas las instrucciones antes de usar el equipo. También recomendamos firmemente instruir a otras personas en el arranque y la operación correctos de la unidad. Esto las prepara en el caso de que deban operar el equipo en una emergencia. Guarde estas instrucciones para referencia en el futuro. Si presta este dispositivo a otra persona, SIEMPRE entréguele también esta instrucciones.

El generador puede funcionar de manera segura, eficiente y fiable solo si es ubicado, operado y mantenido correctamente. Antes de operar el generador o darle servicio:

- Familiarícese con todos los códigos y reglamentos locales, estatales y nacionales, y cúmplalos de manera estricta.
- Estudie todas las advertencias de seguridad indicadas en este manual y en el producto minuciosamente.
- Familiarícese con este manual y la unidad antes del uso.

El fabricante no puede prever todas las circunstancias posibles que podrían involucrar un peligro. Las advertencias de este manual y los rótulos y etiquetas adhesivas fijados en la unidad, por lo tanto, no son exhaustivos. Si usa un procedimiento, método de trabajo o técnica de funcionamiento que el fabricante no recomienda específicamente, asegúrese de que sea seguro para otras personas. Asegúrese también de que el procedimiento, método de trabajo o técnica de funcionamiento utilizado no vuelvan inseguro al generador.

LA INFORMACIÓN QUE FIGURA EN EL PRESENTE SE BASÓ EN MÁQUINAS QUE ESTABAN EN PRODUCCIÓN AL MOMENTO DE LA PUBLICACIÓN. GENERAC SE RESERVA EL DERECHO DE MODIFICAR ESTE MANUAL EN CUALQUIER MOMENTO.

REGLAS DE SEGURIDAD

En toda esta publicación, en los rótulos y en las etiquetas adhesivas fijadas en el generador, los bloques de PELIGRO, ADVERTENCIA, PRECAUCIÓN y NOTA se usan para alertar al personal sobre instrucciones especiales acerca de una operación en particular que puede ser peligrosa si se efectúa de manera incorrecta o imprudente. Obsérvelos cuidadosamente. Sus definiciones son las siguientes:

PELIGRO

INDICA UNA SITUACIÓN O ACCIÓN PELIGROSA QUE, SI NO SE EVITA, OCASIONARÁ LA MUERTE O LESIONES GRAVES.

ADVERTENCIA

Indica una situación o acción peligrosa que, si no se evita, podría ocasionar la muerte o lesiones graves.

CUIDADO


Indica una situación o acción peligrosa que, si no se evita, podría ocasionar lesiones leves o moderadas.

NOTA:

Las notas contienen información adicional importante para un procedimiento y se encuentran dentro del texto del cuerpo de este manual.

Estas advertencias de seguridad no pueden eliminar los peligros que indican. El sentido común y el cumplimiento estricto de las instrucciones especiales mientras se desarrolla la acción o el servicio son esenciales para la prevención de accidentes.

Cuatro símbolos de seguridad de uso común acompañan a los bloques de **PELIGRO**, **ADVERTENCIA** y **PRECAUCIÓN**. Cada uno indica el siguiente tipo de información:

 **Este símbolo señala información de seguridad importante que, si no se respeta, podría poner en peligro la seguridad personal y/o material de terceros.**

 **Este símbolo señala un posible peligro de explosión.**

 **Este símbolo señala un posible peligro de incendio.**

 **Este símbolo señala un posible peligro de choque eléctrico.**

Reglas de seguridad

PELIGROS GENERALES

- NUNCA opere la unidad en una zona confinada, en un vehículo o en interiores, AUN SI las puertas y ventanas están abiertas.
- Por motivos de seguridad, el fabricante recomienda que el mantenimiento de este equipo sea efectuado por un concesionario autorizado. Inspeccione el generador regularmente, y póngase en contacto con el concesionario autorizado más cercano en relación con las piezas que necesitan reparación o sustitución.
- Utilice el generador solamente sobre superficies niveladas y donde no esté expuesto a humedad, suciedad, polvo o vapores corrosivos excesivos.
- Mantenga las manos, pies, ropa, etc. alejados de las correas de transmisión y otras piezas en movimiento. Nunca retire ningún protector o escudo de ventilador mientras la unidad esté funcionando.
- Algunas piezas del generador se calientan en extremo durante el funcionamiento. Manténgase alejado del generador hasta que se haya enfriado para evitar quemaduras graves.
- NO use el generador debajo de la lluvia.
- No modifique la construcción del generador o cambie los controles, ya que podrían generarse condiciones de funcionamiento inseguro.
- Nunca arranque o pare la unidad con cargas eléctricas conectadas a tomacorrientes Y con dispositivos conectados encendidos. Arranque el motor y permita que se estabilice antes de conectar cargas eléctricas. Desconecte todas las cargas eléctricas antes de apagar el generador.
- No inserte objetos a través de las ranuras de enfriamiento de la unidad.
- Cuando trabaje en este equipo, manténgase alerta en todo momento. Nunca trabaje en el equipo cuando esté fatigado física o mentalmente.
- Nunca use el generador o cualquiera de sus piezas como un escalón. Pararse sobre la unidad puede forzar y romper piezas y podría ocasionar condiciones de funcionamiento peligrosas por fugas de gases de escape, fugas de combustible, fugas de aceite, etc.

NOTA:

Este generador puede estar equipado con un silenciador supresor de chispas. El supresor de chispas debe ser mantenido en condiciones de trabajo eficaces por el propietario/operador. En el Estado de California, se requiere por ley un supresor de chispas (Sección 4442 del California Public Resources Code [Código de recursos públicos de California]). Otros estados pueden tener leyes similares. Se aplican leyes federales en las tierras federales.

PELIGROS RELACIONADOS CON EL ESCAPE Y LA UBICACIÓN

- ¡Nunca use la unidad en una zona confinada o en interiores! ¡NUNCA use la unidad en el hogar, en un vehículo o en zonas parcialmente confinadas tales como garajes, AUN SI las puertas y ventanas están abiertas! Use SOLAMENTE en exteriores y lejos de ventanas, puertas y ventilaciones abiertas, y en una zona donde no se acumulen vapores de escape mortales.

⚠ PELIGRO	
Usar un generador en interiores LO PUEDE MATAR EN MINUTOS.	
Los gases de escape del generador contienen monóxido de carbono. Este es un veneno que no se puede ver u oler.	
	
NUNCA lo use dentro de una casa o garaje, AUN SI la puerta y las ventanas se encuentran abiertas.	Use únicamente en EXTERIORES, y alejado de ventanas, puertas y ventilaciones.

- Los vapores de escape del motor contienen monóxido de carbono, que no se puede ver ni oler. Este gas venenoso, si se respira en concentraciones suficientes, puede causar pérdida de conocimiento o incluso la muerte.
- El flujo adecuado y sin obstrucciones del aire de enfriamiento y ventilación resulta crítico para el funcionamiento adecuado del generador. No altere la instalación ni permita el bloqueo, ni siquiera parcial, del suministro de ventilación, dado que esto puede afectar seriamente el funcionamiento seguro del generador. El generador SE DEBE usar en exteriores.
- Este sistema de escape debe ser mantenido adecuadamente. No haga nada que pueda volver inseguro al sistema de escape o que infrinja cualquier código y/o norma local.
- Siempre use en interiores una alarma de monóxido de carbono alimentada por batería instalada conforme a las instrucciones del fabricante.
- Si comienza a sentirse enfermo, mareado o débil después de que el generador ha estado funcionando, salga INMEDIATAMENTE al aire fresco. Consulte a un médico, ya que podría sufrir envenenamiento por monóxido de carbono.

PELIGRO ELÉCTRICO

- El generador produce un voltaje peligrosamente alto cuando está en funcionamiento. Evite el contacto con cables, terminales, conexiones, etc. desnudos mientras la unidad está funcionando, aún en los equipos conectados al generador. Asegúrese de que todas las cubiertas, protecciones y barreras adecuadas estén colocadas antes de utilizar el generador.
- Nunca maneje ningún tipo de cable o dispositivo eléctrico mientras esté parado sobre agua o esté descalzo o cuando tenga las manos o los pies mojados. **PUEDA PRODUCIRSE UN CHOQUE ELÉCTRICO PELIGROSO.**
- El Código Eléctrico Nacional de los EE. UU. (NEC) requiere que el bastidor y las piezas conductoras de electricidad externas del generador estén correctamente conectadas a una conexión a tierra aprobada. Los códigos de electricidad locales también pueden requerir la conexión a tierra apropiada del generador. Consulte con un electricista local los requisitos de conexión a tierra de su zona.
- Use un interruptor de circuito por fallo de conexión a tierra en todas las zonas húmedas o altamente conductoras (tales como zonas de trabajo con tarimas metálicas o estructuras de acero).
- No use el generador con juegos de cables eléctricos de conexión gastados, desnudos, deshilachados o que tengan algún otro tipo de daño.
- Antes de efectuar cualquier mantenimiento en el generador, desconecte la batería de arranque del motor (de tenerla) para evitar un arranque accidental. Desconecte primero el cable del borne de batería indicado por NEGATIVO, NEG o (-). Vuelva a conectar ese cable en último lugar.
- En caso de accidente causado por choque eléctrico, apague de inmediato la fuente de alimentación eléctrica. Si esto no es posible, intente liberar a la víctima del conductor alimentado. **EVITE EL CONTACTO DIRECTO CON LA VÍCTIMA.** Use un implemento no conductor, como una cuerda o tabla, para liberar a la víctima del conductor alimentado. Si la víctima está inconsciente, aplique primeros auxilios y obtenga ayuda médica de inmediato.

PELIGRO DE INCENDIO

- La gasolina es altamente INFLAMABLE y sus vapores son EXPLOSIVOS. Nunca permita que se fume o que haya llamas abiertas, chispas o calor en la zona mientras maneje gasolina.**
- Nunca agregue combustible mientras la unidad está funcionando o caliente. Espere a que el motor se enfríe completamente antes de agregar combustible.
- Nunca llene el tanque de combustible en interiores.** Cumpla todas las leyes que reglamentan el almacenamiento y manejo de gasolina.
- No llene el tanque de combustible en exceso. Siempre deje lugar para la expansión del combustible.** Si se llena el tanque en exceso, el combustible puede rebasar sobre un motor caliente y causar INCENDIO o EXPLOSIÓN. Nunca almacene el generador con combustible en el tanque donde los vapores de la gasolina podrían alcanzar una llama abierta, chispa o luz piloto (como de un horno, caldera o secador de ropa). Puede ocasionar INCENDIO o EXPLOSIÓN. Permita que la unidad se enfríe completamente antes de almacenarla.
- Recoja y seque inmediatamente todos los derrames de combustible o aceite. Asegúrese de que no queden materiales combustibles en el generador o cerca de este. Mantenga la zona alrededor del generador limpia y sin residuos, y deje un espacio libre de 4.6 m (5 ft) en todos los costados a fin de permitir la ventilación apropiada del generador.

- No inserte objetos a través de las ranuras de enfriamiento de la unidad.
- Nunca** use el generador si los dispositivos eléctricos conectados se recalientan, si se pierde la salida eléctrica, si el motor o el generador producen chispas o si se observan llamas o humo mientras la unidad está funcionando.
- Mantenga un extintor de incendio cerca del generador en todo momento.

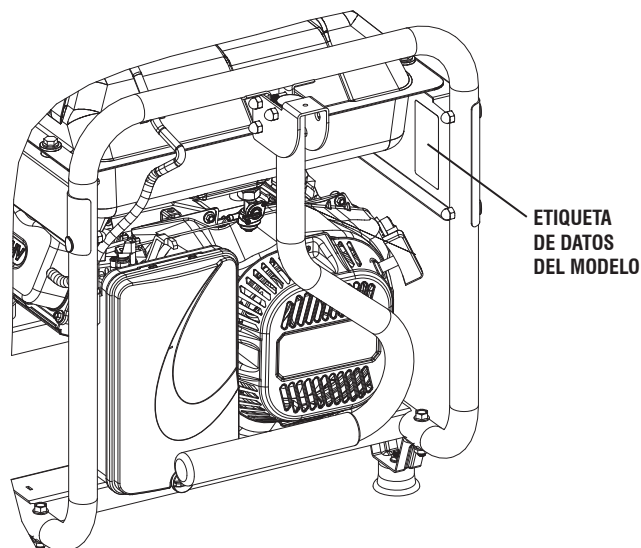
ÍNDICE DE NORMAS

- National Fire Protection Association (Asociación nacional de protección contra incendios [NFPA]) de los EE. UU. 70: NATIONAL ELECTRIC CODE (Código eléctrico nacional de los EE. UU., NEC) disponible en www.nfpa.org
- National Fire Protection Association (Asociación nacional de protección contra incendios [NFPA]) de los EE. UU. 5000: BUILDING CONSTRUCTION AND SAFETY CODE (Código de construcción y seguridad de edificios) disponible en www.nfpa.org
- International Building Code (Código de construcción internacional) disponible en www.iccsafe.org
- Agricultural Wiring Handbook (Manual de cableado agrícola) disponible en www.nerc.org, Rural Electricity Resource Council P.O. Box 309 Wilmington, OH 45177-0309, EE. UU.
- ASAE EP-364.2 Installation and Maintenance of Farm Standby Electric Power (Instalación y mantenimiento de alimentación eléctrica rural de reserva) disponible en www.asabe.org, American Society of Agricultural & Biological Engineers (Sociedad estadounidense de ingenieros agrícolas y biológicos) 2950 Niles Road, St. Joseph, MI 49085, EE. UU.

Esta lista no es exhaustiva. Compruebe con la autoridad que tiene jurisdicción local (AHJ, por sus siglas en inglés) todos los códigos o normas que podrían corresponder a su jurisdicción.

NÚM. DE MODELO:	
NÚM. DE SERIE:	

Ubicación de la ID de la unidad



1.1 DESEMBALAJE

- Retire todo el material de embalaje.
- Retire la caja de accesorios separada.
- Retire el generador de la caja.

1.1.1 ACCESORIOS

Revise todo el contenido. Si falta alguna pieza o hay alguna pieza dañada, comuníquese con un concesionario autorizado al 1-888-436-3722.

- | | |
|--|--|
| • 1 - Manual del propietario | • 1 - Conjunto de manija |
| • 1 - Litro de aceite SAE 30 | • 2 - Pie del bastidor |
| • 2 - Ruedas Never-Flat | • 1 - Cable de alimentación de 6 m (20 ft) |
| • 3 - Tarjetas de registro del producto (006110-3 solamente) | |
| • 1 - Service Warranty | • 1 - Emissions Warranty |
| • 1 - Cargador de baterías (modelos con arranque eléctrico) | |
| • 1 - Bolsa de tornillería (contiene lo siguiente): | |
| – 2-Pies de caucho | – 6-Pernos M8 (largos) |
| – 2-Pasadores de eje de 1/2 in | – 2-Pernos M6 (largos) |
| – 2-Pasadores hendidos | – 2-Tuercas ciegas M8 |
| – 2-Arandelas planas de 1/2 in | – 4-Tuercas hexagonales embreadadas M8 |
| – 2-Tuercas hexagonales embreadadas M6 | |

1.2 ARMADO

El generador requiere armado antes del uso. Si surgen problemas durante el armado del generador, llame a la Línea de ayuda para generadores al 1-888-436-3722.

1.2.1 ARMADO DEL KIT DE ACCESORIOS

Las ruedas de la unidad se han diseñado para aumentar en gran medida la facilidad de transporte del generador.

Necesitará las siguientes herramientas para instalar el kit de accesorios de manera apropiada.

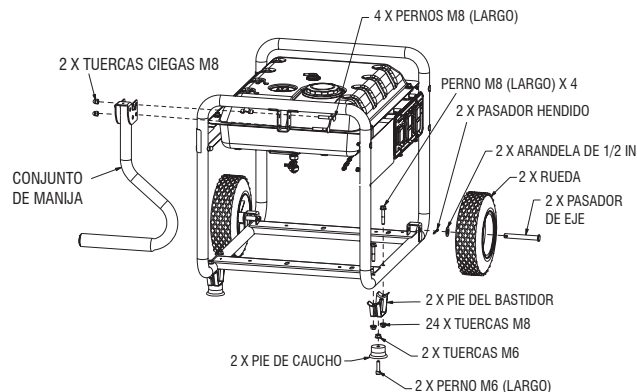
- Pinzas de punta de aguja
- Trinquete y casquillos de 8 mm, 10 mm y 13 mm
- Llaves de boca de 8 mm, 10 mm y 13 mm

NOTA:

Las ruedas no están destinadas al uso en caminos.

1. Consulte la Figura 1 e instale las ruedas del siguiente modo:
 - Deslice el pasador de eje a través de la rueda, la arandela plana de 1/2 in y el soporte de la rueda sobre el bastidor.
 - Inserte el pasador hendido a través del pasador de eje y luego doble las lengüetas (del pasador hendido) hacia afuera para trabarlo en su posición.
2. Consulte la Figura 1 e instale el pie del bastidor y los parachoques de caucho como se muestra.
 - Deslice los espárragos de los parachoques de caucho a través del pie del bastidor e instale las contratuercas embreadadas.
 - Deslice los pernos de cabeza hexagonal a través de los agujeros en el riel del bastidor.
 - Deslice el pie del bastidor sobre los pernos de cabeza hexagonal y luego instale las contratuercas embreadadas.
3. Consulte la Figura 1 e instale la manija como se muestra.
 - Deslice los pernos largos a través del soporte de la manija y la manija y luego instale las tuercas hexagonales.

Figura 1 – Armado de las ruedas y la manija



1.2.2 CONEXIÓN DE LOS CABLES DE LA BATERÍA (ARRANQUE ELÉCTRICO SOLAMENTE)

La unidad se entrega deliberadamente con los cables de la batería desconectados.

Para conectar la batería, necesitará dos llaves de boca de 8 mm para conectar los cables de la batería. (vea los detalles de la conexión en la Figura 16):

1. Corte las bandas de amarre de cables que sujetan los cables de la batería y retire las cubiertas rojas de los bornes de la batería.
2. Primero, conecte el cable rojo al borne positivo (+) de la batería con el perno y la tuerca provistos.
3. Asegúrese de que las conexiones estén bien fijadas y deslice la funda de caucho rojo sobre el borne positivo (+) de la batería y la tornillería de conexión.
4. Conecte el cable negro al borne negativo (-) de la batería con el perno y la tuerca provistos y deslice la funda de caucho sobre el borne negativo (-) de la batería y la tornillería de conexión.
5. Asegúrese de que todas las conexiones bien fijadas.

NOTA:

Si la batería no puede arrancar el motor, cárguela con el cargador de 12 V incluido en la caja de accesorios (vea los detalles en la sección "Carga de la batería").

1.3 INFORMACIÓN SOBRE EMISIONES

La Agencia de Protección Ambiental de los EE. UU. (EPA) (y la Junta de Recursos del Aire de California [CARB] para los generadores certificados conforme a las normas de California) requieren que este generador cumpla las normas de emisiones de escape y evaporación. Localice la etiqueta adhesiva sobre cumplimiento de las normas referidas a emisiones colocada sobre el motor para determinar qué normas satisface el generador, y para determinar qué garantía corresponde. Este generador cuenta con certificación para funcionar con gasolina. El sistema de control de emisiones incluye los siguientes componentes (de tenerlos):

- Sistema de inducción de aire
 - Tubo/colector de admisión
 - Filtro de aire
- Sistema de combustible
 - Carburador
 - Tanque/tapa de combustible
 - Tuberías de combustible
 - Tuberías de ventilación de evaporación
 - Cartucho de carbón
- Sistema de encendido
 - Bujía
 - Módulo de encendido
- Sistema de escape
 - Colector de escape
 - Silenciador
 - Válvula de aire por impulsos
 - Catalizador

2.1 CONOZCA EL GENERADOR

Lea el Manual del propietario y las Reglas de seguridad antes de operar este generador.

Compare el generador con las Figuras 2 a 4 para familiarizarse con las ubicaciones de los diversos controles y ajustes. Guarde este manual para referencia en el futuro.

1. **Tomacorriente doble de 120 VCA, 20 A** – Suministra alimentación eléctrica para el funcionamiento de iluminación eléctrica, artefactos, herramientas y cargas de motor de 120 VCA, 20 A, monofásicos, de 60 Hz (los modelos CARB cuentan con tomacorrientes con interruptor por fallo de conexión a tierra [GFCI]).
2. **Tomacorriente de 120/240 VCA, 30 A con bloqueo** – Suministra alimentación eléctrica para el funcionamiento de iluminación eléctrica, artefactos, herramientas y cargas de motor de 120 y/o 240 VCA, 30 A, monofásicos, de 60 Hz.
3. **Disyuntores (CA)** – Cada tomacorriente cuenta con un disyuntor de oprimir para reconectar para proteger al generador contra sobrecargas eléctricas.
4. **Vaciado de aceite** – Se usa para vaciar el aceite del motor.
5. **Filtro de aire** – Filtra el aire de admisión a medida que ingresa en el motor.
6. **Perilla del cebador** – Se usa para arrancar un motor frío.
7. **Tanque de combustible** – Vea la capacidad del tanque en las especificaciones del generador.
8. **Terminal de conexión a tierra** – Conecte aquí el generador a una conexión a tierra aprobada. Vea los detalles en "Conexión a tierra del generador".
9. **Interruptor Run/Stop (Marcha/Parada)** – Controla el funcionamiento del generador (modelos con arranque con tirador).
- 9A. **Interruptor Start (Arranque)** – Se usa para arrancar el motor desde el arrancador (modelos con arranque eléctrico solamente).
10. **Silenciador** – Reduce el ruido del motor.

11. **Manija** – Pivotea y se retrae para el almacenamiento. Oprima el botón cargado a resorte para mover las manijas.
12. **Tapa de gasolina** – Ubicación para llenado de combustible.
13. **Medidor de combustible** – Muestra el nivel de combustible del tanque.
14. **Llenado de aceite** – Agregue aceite aquí.
15. **Arrancador con cuerda** – Se usa para arrancar el motor manualmente.
16. **Cierre de combustible** – Válvula entre el tanque de combustible y el carburador.
17. **Válvula de inversión** – Permite el paso de combustible a la cámara de aire del motor.
18. **Manguera de recuperación** – Se instala entre el cartucho de carbón y la válvula de inversión (de tenerla).
19. **Horómetro** – Lleva un registro de las horas de funcionamiento.
20. **Entrada del cargador de batería** – Este tomacorriente permite recargar la batería para almacenamiento de 12 VCC provista con el cargador con adaptador de 12 V que se incluye en la caja de accesorios. Detrás de la entrada del cargador de batería hay un fusible en línea de 1.50 A, que se encuentra dentro del tablero de control para proteger la batería (modelos con arranque eléctrico solamente).
21. **Batería** – Alimenta al arrancador eléctrico (modelos con arranque eléctrico solamente).
22. **Supresor de chispas** – Reduce el peligro de incendios conteniendo las chispas (modelos CARB solamente).

Figura 2A - Tablero de control (modelos para 49 estados)

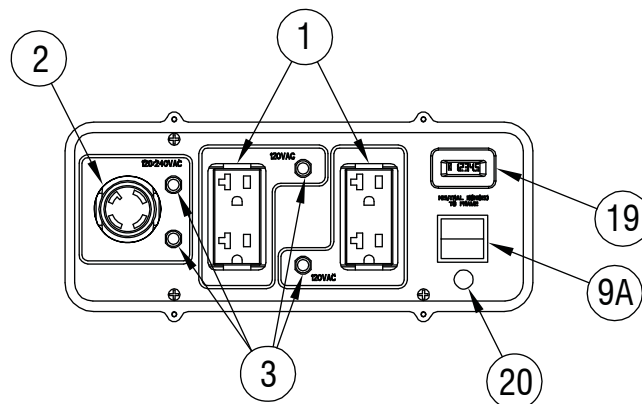


Figura 2B - Tablero de control (modelos CARB)

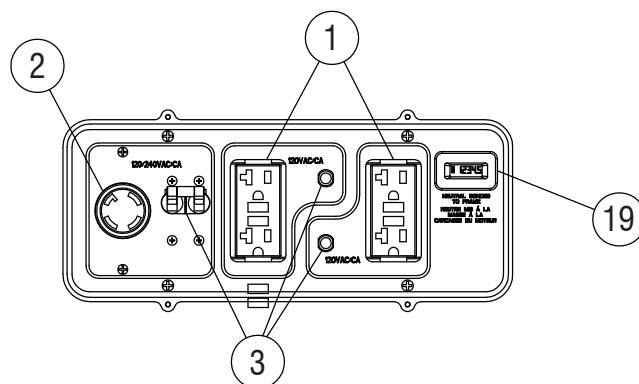


Figura 2C - Tablero de control (modelos CSA)

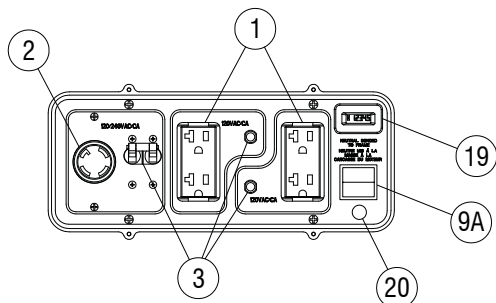


Figura 3 - Controles del generador

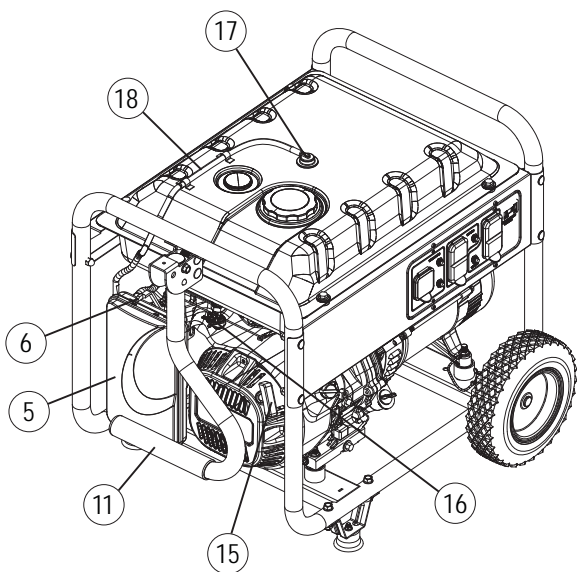
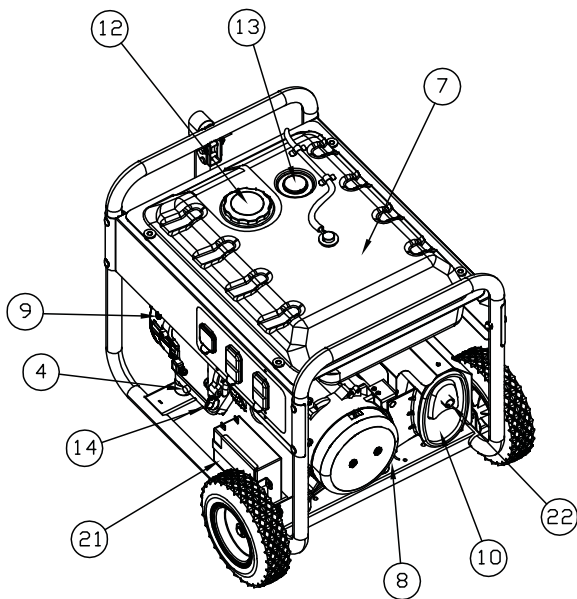


Figura 4 - Controles del generador



2.2 HORÓMETRO

El horómetro lleva un registro de las horas de funcionamiento para el mantenimiento programado (Figura 5):

Se visualizará un mensaje "CHG OIL" (Cambiar aceite) cada 100 horas. El mensaje destellará 1 hora antes y una 1 después de cada intervalo de 100 horas, proporcionando una ventana de 2 horas para efectuar el servicio.

Este mensaje realmente comenzará a destellar a las 99 horas y se desactivará en forma automática a las 101 horas nuevamente, proporcionando una ventana de 2 horas para efectuar el servicio.

Cada 200 horas destellará el icono "SVC" (Servicio) en el ángulo inferior izquierdo de la pantalla. El mensaje destellará 1 hora antes y una 1 después de cada intervalo de 200 horas, proporcionando una ventana de 2 horas para efectuar el servicio.

Figura 5 – Horómetro

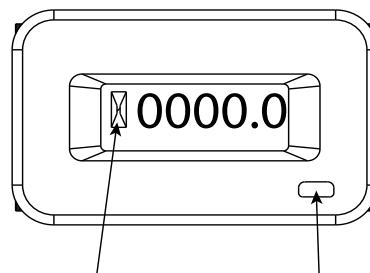


GRÁFICO DE RELOJ DE ARENA **BOTÓN DE RESTABLECIMIENTO (DE TENERLO)**

Quando el horómetro está en el modo de alerta destellando, el mensaje de mantenimiento siempre mostrará el tiempo transcurrido en horas y décimos. Las horas destellarán cuatro veces, y luego se alternarán con el mensaje de mantenimiento cuatro veces hasta que el medidor se ponga en cero automáticamente.

- 100 horas- CHG OIL — Intervalo de cambio de aceite (cada 100 horas)
- 200 horas- SVC — Servicio del filtro de aire (cada 200 horas)

Nota:

El gráfico de reloj de arena destellará intermitentemente cuando el motor está funcionando. Esto significa que el medidor está llevando un registro de las horas de funcionamiento.

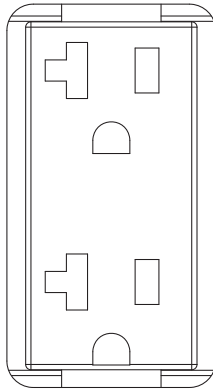
2.3 ENCHUFES DE CONEXIÓN

2.3.1 TOMACORRIENTE DOBLE DE 120 VCA, 20 A

Es un tomacorriente de 120 V protegido contra sobrecargas por un disyuntor de oprimir para reconectar de 20 A (Figura 6). Use cada toma para proporcionar alimentación a cargas eléctricas de 120 VCA, monofásicas, de 60 Hz, que requieren una corriente combinada de 2400 W (2.4 kW) o 20 A como máximo. Use solamente juegos de cables conexión de 3 conductores con conexión a tierra, de alta calidad y bien aislados, con una capacidad nominal de 125 V con 20 A (o mayor).

Use cables de extensión lo más cortos posible, preferentemente de menos de 4.6 m (15 ft) de largo, para evitar caídas de voltaje y el posible recalentamiento de los alambres.

Figura 6 - Tomacorriente doble de 120 VCA, 20 A

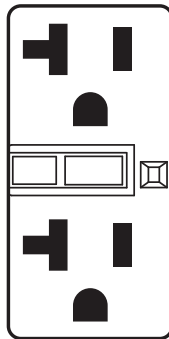


2.3.2 TOMACORRIENTE DOBLE CON INTERRUPTOR POR FALLO DE CONEXIÓN A TIERRA (GFCI) DE 120 VCA, 20 A (CARB SOLAMENTE)

Es un tomacorriente de 120 V protegido contra sobrecargas por un disyuntor de oprimir para reconectar de 20 A (Figura 6A). Use cada toma para proporcionar alimentación a cargas eléctricas de 120 VCA, monofásicas, de 60 Hz, que requieren una corriente combinada de 2400 W (2.4 kW) o 20 A como máximo. Use solamente juegos de cables conexión de 3 conductores con conexión a tierra, de alta calidad y bien aislados, con una capacidad nominal de 125 V con 20 A (o mayor).

Use cables de extensión lo más cortos posible para evitar caídas de voltaje y el posible recalentamiento de los alambres.

Figura 6A - Tomacorriente doble con interruptor por fallo de conexión a tierra (GFCI) de 120 VCA, 20 A

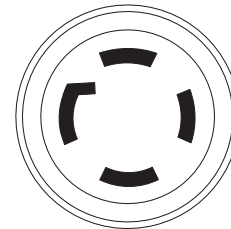


2.3.3 TOMACORRIENTE DE 120/240 VCA, 30 A

Use un enchufe NEMA L14-30 con este tomacorriente (gire para bloquear/desbloquear). Conecte un juego de cables de conexión de 4 conductores con conexión a tierra adecuado para el enchufe y la carga deseada. El juego de cables de conexión debe tener capacidad nominal para 250 VCA con 30 A (o mayor) (Figura 7).

Use este tomacorriente para usar cargas de 120 VCA, monofásicas, de 60 Hz que requieren hasta 3600 W (3.6 kW) de potencia con 30 A o cargas de 240 VCA, monofásicas, de 60 Hz que requieren hasta 7200 W (7.2 kW) de potencia con 30 A. El tomacorriente está protegido por dos interruptores de oprimir para reconectar de 25 A (5.5 kW) o dos interruptores del mismo tipo de 30 A (6.5 kW) o un interruptor basculante de 2 polos de 30 A o dos disyuntores de botón de oprimir para reconectar de 30 A (6.5/7.5 kW).

Figura 7 - Tomacorriente de 120/240 VCA, 30 A



120V/240V
30A

2.4 CÓMO USAR EL GENERADOR

Consulte la sección "Arranque del motor" para ver cómo arrancar y parar el generador de manera segura y cómo conectar y desconectar cargas. Si surgen problemas durante el funcionamiento del generador, llame a la Línea de ayuda para generadores al 1-888-436-3722.

⚠ PELIGRO

- ⚠ **iNunca use la unidad en una zona confinada o en interiores! iNUNCA use la unidad en el hogar, en un vehículo o en zonas parcialmente confinadas tales como garajes, AUN SI las puertas y ventanas están abiertas! Use SOLAMENTE en exteriores y lejos de ventanas, puertas y ventilaciones abiertas, y en una zona donde no se acumulen vapores de escape mortales.**
- ⚠ **Los vapores de escape del motor contienen monóxido de carbono, que no se puede ver ni oler. Este gas venenoso, si se respira en concentraciones suficientes, puede causar pérdida de conocimiento o incluso la muerte.**
- ⚠ **El flujo adecuado y sin obstrucciones del aire de enfriamiento y ventilación resulta crítico para el funcionamiento adecuado del generador. No altere la instalación ni permita el bloqueo, ni siquiera parcial, del suministro de ventilación, dado que esto puede afectar seriamente el funcionamiento seguro del generador. El generador SE DEBE usar en exteriores.**
- ⚠ **Este sistema de escape debe ser mantenido adecuadamente. No haga nada que pueda volver inseguro al sistema de escape o que infrinja cualquier código y/o norma local.**
- ⚠ **Siempre use en interiores una alarma de monóxido de carbono alimentada por batería, instalada conforme a las instrucciones del fabricante.**

⚠ PELIGRO

Usar un generador en interiores LO PUEDE MATAR EN MINUTOS.

Los gases de escape del generador contienen monóxido de carbono. Este es un veneno que no se puede ver u oler.



NUNCA lo use dentro de una casa o garaje, AUN SI la puerta y las ventanas se encuentran abiertas.



Use únicamente en EXTERIORES, y alejado de ventanas, puertas y ventilaciones.

2.4.1 CONEXIÓN A TIERRA DEL GENERADOR CUANDO SE USA COMO UNIDAD PORTÁTIL

Este generador tiene una conexión a tierra del equipo que conecta los componentes del bastidor del generador a los terminales de conexión a tierra de los tomacorrientes de salida de CA (véase una explicación en NEC 250.34 (A)). Esto permite usar el generador como una unidad portátil sin conectar a tierra el bastidor del generador como se especifica en NEC 250.34.

Requisitos especiales

Pueden haber reglamentos federales o estatales de la Administración de Seguridad y Salud Ocupacional de los EE. UU. (OSHA), códigos u ordenanzas que correspondan al uso previsto del generador.

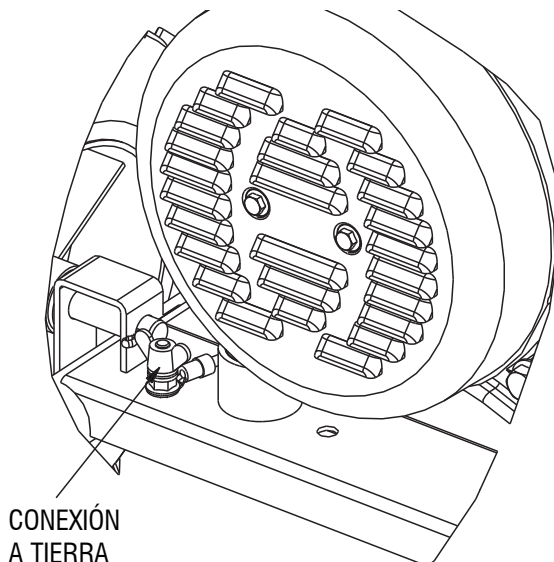
Consulte a un electricista cualificado, inspector de electricidad o al organismo local que tenga jurisdicción:

- En algunas zonas, se requiere el registro de los generadores en las compañías de servicios públicos locales.
- Si el generador se usa en un sitio de construcción, puede ser necesario cumplir reglamentos adicionales.

2.4.2 CONEXIÓN DEL GENERADOR AL SISTEMA ELÉCTRICO DE UN EDIFICIO

Al conectarse directamente al sistema eléctrico de un edificio, se recomienda usar un interruptor de transferencia manual. Las conexiones para un generador portátil al sistema eléctrico de un edificio deben ser efectuadas por un electricista cualificado y cumpliendo estrictamente todos los códigos y leyes nacionales y locales sobre electricidad.

Figura 8 - Conexión a tierra del generador



2.5 NO SOBRECARGUE EL GENERADOR

Sobrecargar un generador por encima de su capacidad nominal en watts puede ocasionar daños al generador y a los dispositivos eléctricos conectados. Observe lo siguiente para evitar sobrecargar la unidad:

- Sume los watts totales de todos los dispositivos eléctricos a ser conectados a la vez. Este total NO debería ser mayor que la capacidad en watts del generador.
 - Los watts nominales de las luces puede ser tomados de las bombillas. Los watts nominales de las herramientas, artefactos y motores pueden encontrarse usualmente en la etiqueta de datos adheridas a la unidad.
 - Si el artefacto, herramienta o motor no indica la potencia, multiplique los voltios por amperios nominales para determinar los watts ($V \times A = W$).
 - Algunos motores eléctricos, como los de inducción, requieren tres veces más watts de potencia para el arranque que para la marcha. Este pico de potencia dura unos pocos segundos al arrancar estos motores. Asegúrese de contar con capacidad para una alta potencia de arranque en watts cuando seleccione dispositivos eléctricos para conectar al generador:
1. Calcule los watts requeridos para arrancar el motor más grande.
 2. Añada a esa cifra los watts de consumo en marcha de todas las otras cargas conectadas.

La guía de referencia de potencia en watts se provee para asistir en la determinación de cuántos elementos puede accionar el generador a la vez.

NOTA:

Todas las cifras son aproximadas. Vea la etiqueta de datos en el artefacto para conocer los requisitos de potencia en watts.

2.6 GUÍA DE REFERENCIA DE POTENCIA EN WATTS

Dispositivo	Watts en marcha
*Acondicionador de aire (12,000 Btu)	1700
*Acondicionador de aire (24,000 Btu)	3800
*Acondicionador de aire (40 000 Btu)	6000
Cargador de baterías (20 A)	500
Lijadora de banda (3 in)	1000
Motosierra	1200
Sierra circular (6-1/2 in)	800 a 1000
*Secarropas (eléctrico)	5750
*Secarropas (gas)	700
*Lavarropas	1150
Cafetera	1750
*Compresor (1 HP)	2000
*Compresor (3/4 HP)	1800
*Compresor (1/2 HP)	1400
Rizador de pelo	700
*Deshumidificador	650
Lijadora de disco (9 in)	1200
Borderadora	500
Manta eléctrica	400
Pistola de clavos eléctrica	1200
Cocina eléctrica (por elemento)	1500
Sartén eléctrica	1250
*Congelador	700
*Ventilador de horno (3/5 HP)	875
*Abridor de puerta de garaje	500 a 750
Secador de pelo	1200
Taladro de mano	250 a 1100
Podadora de cerco	450
Llave de impacto	500
Plancha	1200
*Bomba de inyección	800
Cortadora de césped	1200
Bombilla	100
Horno de microondas	700 a 1000
*Refrigerador de leche	1100
Quemador de gasoil en horno	300
Estufa de gasoil (140,000 Btu)	400
Estufa de gasoil (85,000 Btu)	225
Estufa de gasoil (30 000 Btu)	150
*Pulverizador de pintura, sin aire (1/3 HP)	600
Rociador de pintura, sin aire (de mano)	150
Radio	50 a 200
*Refrigerador	700
Olla de cocción lenta	200
*Bomba sumergible (1-1/2 HP)	2800
*Bomba sumergible (1 HP)	2000
*Bomba sumergible (1/2 HP)	1500
*Bomba de sumidero	800 a 1050
*Sierra de banco (10 in)	1750 a 2000
Televisor	200 a 500
Tostadora	1000 a 1650
Cortadora de hierba	500

* Considere 3 veces la potencia en watts indicada para el arranque de estos dispositivos.

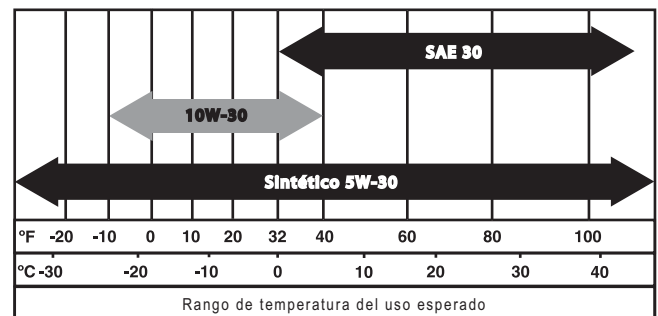
2.7 ANTES DE ARRANCAR EL GENERADOR

Antes de hacer funcionar el generador, se deberá agregar aceite de motor y gasolina, de la siguiente forma:

2.7.1 CÓMO AGREGAR ACEITE DE MOTOR

Todo el aceite debe satisfacer las clases de servicio mínimas SJ, SL o mejores del American Petroleum Institute (Instituto norteamericano del petróleo) (API). No use aditivos especiales. Seleccione el grado de viscosidad del aceite de acuerdo con la temperatura de funcionamiento esperada (vea también la tabla).

- Por encima de 4.4 °C (40 °F), use SAE 30
- Por debajo de 4.4 °C (40 °F) hasta -12.2 °C (10 °F), use 10W-30
- Para todas las temperaturas, use aceite sintético 5W-30



⚠ CUIDADO

⚠ **Cualquier intento de girar o arrancar el motor antes de que haya sido correctamente preparado con el aceite recomendado puede ocasionar un fallo del motor.**

1. Coloque el generador en una superficie nivelada (que no exceda 15° en ningún sentido).
2. Limpie la zona alrededor de la abertura de llenado de aceite y retire la tapa de llenado de aceite y la varilla de medición.
3. Limpie la varilla de medición.
4. Lentamente llene el motor con aceite a través de la abertura de llenado hasta que alcance la marca de lleno. Deje de llenar ocasionalmente para verificar el nivel de aceite. **Tenga cuidado de no sobrellenar.**
5. Coloque la tapa de llenado de aceite y ajuste firmemente con la mano.
6. Compruebe el nivel del aceite del motor antes de arrancar cada vez.

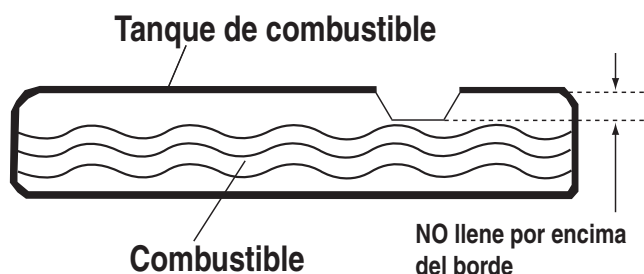
Funcionamiento

2.7.2 CÓMO AGREGAR GASOLINA

⚠ PELIGRO

- ⚠ **Nunca llene el tanque de combustible en interiores. Nunca llene el tanque de combustible mientras la unidad está funcionando o caliente. Evite derramar gasolina sobre un motor caliente. Espere a que el motor se enfríe completamente antes de llenar el tanque de combustible. NO encienda un cigarrillo o fume mientras llena el tanque de combustible.**
 - ⚠ **No llene el tanque de combustible en exceso. Siempre deje lugar para la expansión del combustible. Si llena el tanque el exceso, el combustible puede rebasar sobre un motor caliente y causar INCENDIO o EXPLOSIÓN. Recoja y seque inmediatamente el combustible que pueda haberse derramado.**
 - ⚠ **Nunca encienda un cigarrillo o fume mientras llena el tanque de combustible. La gasolina es altamente INFLAMABLE y sus vapores son EXPLOSIVOS. Nunca permita que se fume o que haya llamas abiertas, chispas o calor en la zona mientras maneje gasolina.**
1. Use gasolina común SIN PLOMO en el motor del generador. No use ninguna gasolina con más de 10% de etanol añadido. No use gasolina E85. No mezcle gasoil con gasolina.
 2. Limpie la zona alrededor de la tapa de llenado de combustible, retire la tapa.
 3. Lentamente agregue gasolina común sin plomo al tanque de combustible. **Tenga cuidado de no llenar en exceso** (Figura 9).
 4. Instale la tapa de combustible y recoja y seque la gasolina que se haya derramado.

Figura 9 - Tanque de combustible



IMPORTANTE: Es importante evitar la formación de depósitos de goma en piezas del sistema de combustible como el carburador, la manguera o el tanque de combustible durante el almacenamiento. Los combustibles mezclados con alcohol (llamados gasohol, etanol o metanol) pueden atraer humedad, lo que ocasiona la separación y la formación de ácidos durante el almacenamiento. El gas ácido puede dañar el sistema de combustible de un motor durante el almacenamiento. Para evitar problemas del motor, el sistema de combustible debe vaciarse antes de almacenarlo durante 30 días o más. Vea la sección de "Almacenamiento". Nunca use productos de limpieza de motor o carburador ya que pueden ocasionar daños permanentes.

2.8 ARRANQUE DE MOTORES CON CABLE DE ARRANQUE

⚠ ADVERTENCIA

- ⚠ **Nunca arranque o pare el motor con dispositivos eléctricos enchufados en los tomacorrientes Y los dispositivos encendidos.**
1. Desconecte todas las cargas eléctricas de los tomacorrientes de la unidad antes de arrancar el motor.
 2. Asegúrese de que la unidad se encuentre en una posición nivelada (que no exceda 15° en ningún sentido).
 3. ABRA la válvula de cierre de combustible (Figura 10).
 4. Mueva el interruptor RUN/STOP (MARCHA/PARADA) del motor a la posición ON(Figura 11).
 5. Deslice el cebador a la IZQUIERDA a la posición de CEBADO MÁXIMO (Figura 12).
 6. Para arrancar el motor, sujete firmemente la manija de la cuerda y tire lentamente hasta sentir una mayor resistencia. Tire rápidamente hacia arriba y afuera.
 7. Cuando el motor arranque, mueva la perilla del cebador a la posición de MEDIO CEBADO1 hasta que el motor funcione suavemente y luego hasta la posición de MARCHA. Si el motor falla, mueva el cebador nuevamente a la posición de MEDIO CEBADO hasta que el motor funcione suavemente y luego a la posición de MARCHA.

NOTA:

Si el motor hace explosiones, pero no sigue funcionando, mueva la palanca del cebador a CEBADO MÁXIMO y repita las instrucciones de arranque.

IMPORTANTE: No sobrecargue el generador. Tampoco sobrecargue los tomacorrientes individuales del tablero. Estas salidas están protegidas contra sobrecargas con disyuntores tipo oprimir para reconectar. Si se excede el amperaje nominal de algún disyuntor, ese disyuntor se abre y se pierde la salida eléctrica a ese tomacorriente. Lea "No sobrecargue el generador" cuidadosamente.

Figura 10 - Válvula de cierre de combustible

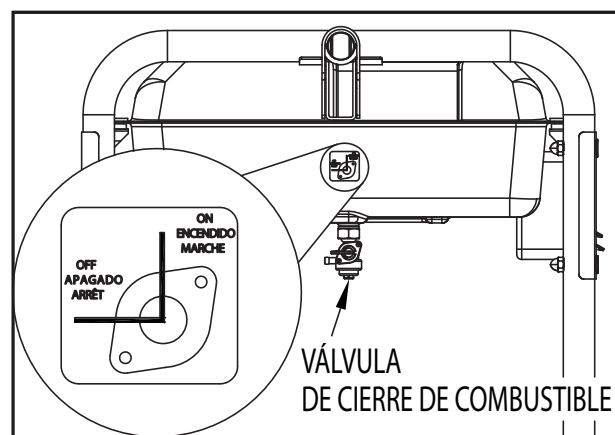


Figura 11 - Interruptor de arranque/parada (ON/OFF) del motor

INTERRUPTOR ON/OFF DEL MOTOR SOLO MOTORES CON ARRANQUE CON TIRADOR

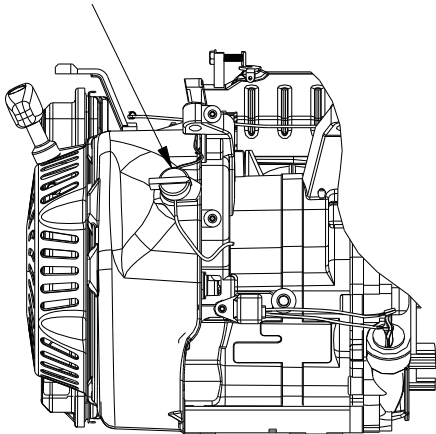
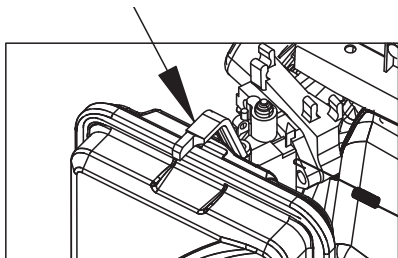


Figura 12 - Posición del cebador

PALANCA DEL CEBADOR
IZQUIERDA = CEBADO (ARRANQUE)
DERECHA = MARCHA



2.9 ARRANQUE DE MOTORES CON ARRANQUE ELÉCTRICO

⚠ ADVERTENCIA

⚠ **Nunca arranque o pare el motor con dispositivos eléctricos enchufados en los tomacorrientes Y los dispositivos encendidos.**

1. Desconecte todas las cargas eléctricas de los tomacorrientes de la unidad antes de arrancar el motor.
2. Asegúrese de que la unidad se encuentre en una posición nivelada (que no exceda 15° en ningún sentido).
3. Abra la válvula de cierre de combustible (Figuras 10).
4. Mueva la perilla del CEBADOR hacia afuera a la posición de CEBADO MÁXIMO (Figura 12).
5. Para arrancar el motor, oprima y mantenga oprimido el conmutador Start/Run/Stop (Arranque/Marcha/Parada) en la posición "Start" (Arranque). El motor girará e intentará arrancar. Cuando el motor arranque, suelte el interruptor a la posición de marcha.

6. Cuando el motor arranque, mueva la perilla del cebador a la posición de "medio cebado" hasta que el motor funcione suavemente y luego a la posición de "marcha". Si el motor falla, tire de la perilla del cebador nuevamente a la posición de "medio cebado" hasta que el motor funcione suavemente y luego a la posición de "marcha".

2.9.1 ARRANQUE MANUAL

Este generador también se encuentra equipado con un arrancador manual de cuerda que se puede utilizar si la batería se encuentra descargada.

NOTA:

El interruptor debe estar en la posición RUN (Marcha). Use una de las salidas de los tomacorrientes del generador junto con el cargador de baterías incluido para cargar la batería mientras funciona el generador.

- Para arrancar manualmente, sujete firmemente la manija de la cuerda y tire lentamente hasta sentir una mayor resistencia. Tire rápidamente hacia arriba y afuera para arrancar el motor. Luego siga la misma secuencia de cebado.

NOTA:

Si el motor hace explosiones, pero no sigue funcionando, mueva la palanca del cebador a CEBADO MÁXIMO y repita las instrucciones de arranque.

IMPORTANTE: No sobrecargue el generador. Tampoco sobrecargue los tomacorrientes individuales del tablero. Estas salidas están protegidas contra sobrecargas con disyuntores tipo oprimir para reconectar. Si se excede el amperaje nominal de algún disyuntor, ese disyuntor se abre y se pierde la salida eléctrica a ese tomacorriente. Lea "No sobrecargue el generador" cuidadosamente.

2.10 PARADA DEL MOTOR

1. Apague todas las cargas, y luego desenchufe las cargas eléctricas de los tomacorrientes del tablero del generador. Nunca arranque o pare el motor con dispositivos eléctricos enchufados y en funcionamiento.
2. Deje que el motor funcione en vacío por varios minutos para estabilizar las temperaturas internas del motor y el generador.
3. Mueva el interruptor Run/Stop (Marcha/Parada) a la posición de OFF.
4. Cierre la válvula de combustible.

2.11 SISTEMA DE APAGADO POR NIVEL DE ACEITE BAJO

El motor se encuentra equipado con un sensor de nivel de aceite bajo que apaga el motor automáticamente cuando el nivel cae por debajo de un nivel especificado. Si el motor se apaga automáticamente y el tanque de combustible tiene suficiente gasolina, revise el nivel de aceite.

2.11.1 DETECCIÓN DE NIVEL DE ACEITE BAJO

Si el sistema detecta un nivel de aceite bajo durante el funcionamiento, el motor se apaga. El motor no funcionará hasta que el aceite haya sido llenado hasta el nivel apropiado.

2.12 CARGA DE LA BATERÍA (UNIDADES CON ARRANQUE ELÉCTRICO SOLAMENTE)

⚠ PELIGRO

Las baterías de almacenamiento emiten gas hidrógeno explosivo durante la recarga. Una mezcla explosiva permanecerá alrededor de la batería por un largo tiempo luego de que se la haya cargado. La chispa más pequeña puede encender el hidrógeno y causar una explosión. Tal explosión puede destrozarse la batería y causar ceguera u otras lesiones graves.

⚠ PELIGRO

No permita que se fume o que haya llamas abiertas, chispas u otras fuentes de calor cerca de una batería. Use gafas protectoras, delantal y guantes de caucho cuando trabaje alrededor de una batería. El fluido del electrolito de batería es una solución de ácido sulfúrico extremadamente corrosiva que puede causar lesiones graves. Si ocurre un derrame, lave la zona con agua limpia inmediatamente.

NOTA:

La batería enviada con el generador ha sido cargada totalmente. Una batería puede perder parte de su carga cuando no se utiliza por períodos prolongados. Si la batería no puede hacer girar el motor, enchufe el cargador de 12 V incluido en la caja de accesorios. **HACER FUNCIONAR EL GENERADOR NO CARGA LA BATERÍA.**

Use el enchufe del cargador de batería para mantener la batería cargada y lista para usar. La carga de la batería debe efectuarse en un lugar seco.

1. Enchufe el cargador al conector "Battery Charger Input" (entrada de cargador de batería) que se encuentra en el tablero de control. Enchufe el lado del tomacorriente de pared del cargador de batería en un tomacorriente de pared de 120 VCA.
2. Desenchufe el cargador de batería del tomacorriente de pared y del conector del tablero de control cuando el generador esté próximo a ser usado.

NOTA:

No use el cargador de batería por más de 48 horas por carga.

Figura 13 - Conector del cargador de batería



3.1 REALIZACIÓN DEL MANTENIMIENTO PROGRAMADO

Es importante realizar el mantenimiento como se indica en el Programa de mantenimiento para el funcionamiento correcto del generador, y para asegurar que el generador cumpla con las normas de emisiones aplicables durante toda su vida útil. El mantenimiento y las reparaciones pueden ser efectuados por cualquier persona o taller con capacidad apropiada. Además, el mantenimiento crítico respecto de las emisiones debe ser efectuado según lo programado para que la Garantía de emisiones sea válida. El mantenimiento crítico respecto de las emisiones consiste en mantener el filtro de aire y las bujías de acuerdo con el Programa de mantenimiento.

3.2 PROGRAMA DE MANTENIMIENTO

Siga los intervalos del calendario. Se requiere un mantenimiento más frecuente para el uso en las condiciones adversas que se listan a continuación.

Revise el nivel de aceite	En cada uso
Cambie el aceite ‡	*Cada 100 horas o en cada estación
Revise la holgura de válvulas	***Cada estación
Preste servicio al filtro de aire	** Cada 200 horas o en cada estación
Sustituya las bujías	Cada estación

- ‡ Cambie el aceite luego de las primeras 30 horas de funcionamiento y luego en cada estación.
- * Cambie el aceite y el filtro de aceite cada mes cuando se funcione bajo carga pesada o altas temperaturas.
- ** Limpie más a menudo en condiciones de funcionamiento con suciedad o polvo. Sustituya las piezas del filtro de aire si no se pueden limpiar adecuadamente.
- *** Revise la holgura de válvulas y ajuste si es necesario luego de las primeras 50 horas de funcionamiento y luego cada 100 horas.

3.3 ESPECIFICACIONES DEL PRODUCTO

3.3.1 ESPECIFICACIONES DEL GENERADOR

Potencia nominal	5.5/6.5/7.5 kW**
Potencia pico	6.875/8.125/9.375 kW
Voltaje de CA nominal	120/240
Carga de CA nominal	
Corriente a 240 V (5.5/6.5/7.5 kW)	22.9/27.1/31.3 A**
Corriente a 120 V (5.5/6.5/7.5 kW)	45.8/54.2/62.5 A**
Frecuencia nominal60 Hz a 3600 RPM
Fase	Monofásico

** Intervalo de temperaturas de funcionamiento: -18 °C (0 °F) a 40 °C (104 °F). Durante el funcionamiento a temperaturas mayores que 25 °C (77 °F) puede haber una disminución de potencia.

** La potencia y la corriente máximas están sujetas a, y limitadas por, factores como el contenido de Btu del combustible, la temperatura ambiente, la altura, las condiciones del motor, etc. La potencia máxima disminuye alrededor de 3.5% por cada 305 m (1000 ft) sobre el nivel del mar; y también disminuirá alrededor de 1% por cada 6 °C (10 °F) de temperatura ambiente por encima de 16 °C (60 °F)

3.3.2 ESPECIFICACIONES DEL MOTOR

5.5/6.5 kW

Cilindrada	389 cm ³
Tipo de bujía.....	NHSP LDF7TC o Champion N9YC
Núm. de pieza de la bujía.....	0G84420101
Luz de la bujía	0.70-0.80 mm (0.028-0.031 in)
Capacidad de gasolina	25.6 l (6.77 gal. de EE. UU.)
Tipo de aceite..	Vea la tapa en la sección "Antes de arrancar el generador"
Capacidad de aceite	1.0 l (1.06 qt.)
Tiempo de marcha a 50% de carga (5.5/6.5 kW)	11 horas / 10 horas

7.5 kW

Cilindrada	420 cm ³
Tipo de bujía.....	Champion N9YC o NHSP LDF7TC
Núm. de pieza de la bujía.....	0G84420101
Luz de la bujía	0.70-0.80 mm (0.028-0.031 in)
Capacidad de gasolina.....	28.4 l (7.5 gal. de EE. UU.)
Tipo de aceite..	Vea la tapa en la sección "Antes de arrancar el generador"
Capacidad de aceite	1.0 l (1.06 qt.)
Tiempo de marcha (50% de carga)	12 horas

3.4 RECOMENDACIONES GENERALES

La garantía del generador no cubre elementos que hayan sido sometidos a abuso o negligencia del operador. Para recibir el valor completo de la garantía, el operador debe mantener el generador como se instruye en este manual.

Se deberán hacer algunos ajustes periódicamente para mantener el generador de manera apropiada.

Todos los ajustes indicados en la sección de mantenimiento de este manual deberán ser efectuados al menos una vez cada estación. Siga los requerimientos indicados en el "Programa de mantenimiento".

NOTA:

Una vez al año sustituya la bujía y sustituya el filtro de aire. Una bujía nueva y un filtro de aire limpio aseguran una mezcla de aire-combustible apropiada y ayudan a que el motor funcione mejor y dure más.

3.4.1 MANTENIMIENTO DEL GENERADOR

El mantenimiento del generador consiste en conservar la unidad limpia y seca. Haga funcionar y almacene la unidad en un ambiente limpio y seco donde no se encuentre expuesta a polvo, tierra o humedad en exceso ni a vapores corrosivos. Las ranuras de aire de refrigeración no deben ser obstruidas con nieve, hojas o ningún otro material extraño.

Revise la limpieza del generador frecuentemente y limpie cuando en su superficie exterior se observen polvo, tierra, aceite, humedad u otras sustancias extrañas.

⚠ CUIDADO

⚠ Nunca inserte ningún objeto o herramienta a través de las ranuras de aire de refrigeración, aún si el motor no está funcionando.

NOTA:

NO use una manguera de jardín para limpiar el generador. Puede entrar agua en el sistema de combustible del motor y causar problemas. Además, si entra agua en el generador a través de las ranuras de refrigeración por aire, parte de ese agua será retenida en vacíos y hendiduras del aislante del bobinado del rotor y estator. La acumulación de agua y tierra en los bobinados internos del generador con el tiempo disminuirá la resistencia de la aislación de estos bobinados.

3.4.2 LIMPIEZA DEL GENERADOR

- Use un paño húmedo para limpiar las superficies exteriores.
- Se puede usar un cepillo de cerdas suave para aflojar tierra compactada, aceite, etc.
- Se puede usar una aspiradora para recoger tierra y suciedad suelta.
- Se puede usar aire a baja presión (que no exceda 25 psi) para soplar la tierra. Inspeccione las ranuras de aire de refrigeración y las aberturas del generador. Estas aberturas deben mantenerse limpias y sin obstrucciones.

3.4.3 MANTENIMIENTO DEL MOTOR

⚠ PELIGRO

⚠ Cuando trabaje sobre el generador, siempre desconecte el cable de distribución de la bujía y manténgalo alejado de la bujía.

3.4.4 REVISIÓN DEL NIVEL DE ACEITE

Vea la sección "Antes de arrancar el generador" para información sobre la revisión del nivel de aceite. El nivel de aceite debe ser revisado antes de cada uso o al menos cada ocho horas de funcionamiento. Revise el nivel de aceite periódicamente.

3.4.5 CAMBIO DE ACEITE

Cambie el aceite luego de cada 100 horas. Si utiliza esta unidad en condiciones de suciedad o polvorientas, o en clima extremadamente caluroso, cambie el aceite más frecuentemente.

⚠ CUIDADO

⚠ El aceite caliente puede provocar quemaduras. Espere a que el motor se enfríe antes de vaciar el aceite. Evite la exposición prolongada o repetida de la piel al aceite usado. Lave cuidadosamente con jabón las zonas expuestas.

Siga las instrucciones dadas a continuación para cambiar el aceite luego de que el motor se enfríe:

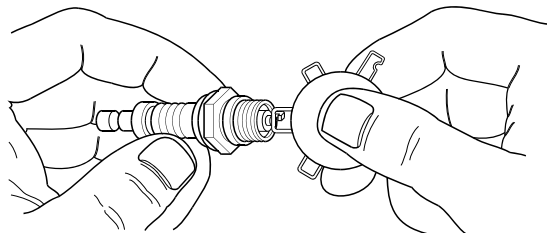
1. Limpie la zona alrededor del tapón de vaciado de aceite.
2. Retire los tapones de vaciado y llenado de aceite para vaciar el aceite completamente en un contenedor apropiado.
3. Cuando el aceite se haya vaciado completamente, coloque el tapón de vaciado de aceite y ajuste firmemente.
4. Llene el motor con el aceite recomendado. (Vea "Antes de arrancar el generador" para las recomendaciones sobre el aceite).
5. Recoja y limpie el aceite que pueda haberse derramado.
6. Deseche el aceite usado en un centro de recolección apropiado.

3.4.6 SUSTITUCIÓN DE LA BUJÍA

Use una bujía Champion N9YC o equivalente. **Sustituya la bujía cada 200 horas.** Esto ayudará a que el motor arranque más fácilmente y funcione mejor.

1. Pare el motor y desconecte el cable de distribución de la bujía.
2. Limpie la zona alrededor de la bujía y retírela de la tapa de cilindro.
3. Ajuste la luz de la bujía a 0.70-0.80 mm (0.028-0.031 in). Instale la bujía con la luz correcta en la tapa de cilindro (Figura 14).

Figura 14 - Luz de la bujía



3.4.7 SUSTITUCIÓN DE LA BATERÍA (SI SE APLICA)

NOTA:

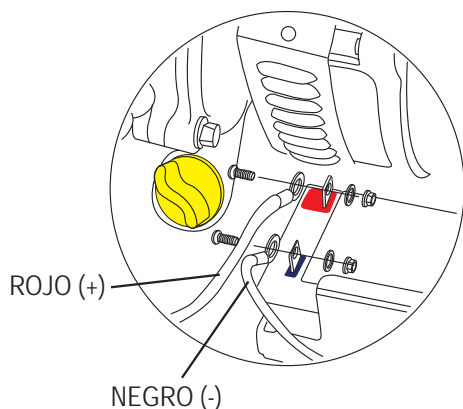
La batería enviada con el generador ha sido cargada totalmente. Una batería puede perder parte de su carga cuando no se utiliza por períodos prolongados. Si la batería no puede hacer girar el motor, enchufe el cargador de 12 V incluido en la caja de accesorios (vea la sección Carga de la batería). **HACER FUNCIONAR EL GENERADOR NO CARGA LA BATERÍA.** El número de pieza de la batería es 0G9449.

⚠ CUIDADO

! El borne **NEGATIVO** de la batería debe:

1. Siempre ser **DESCONECTADO PRIMERO.**
2. Siempre ser **DESCONECTADO ÚLTIMO.**

Figura 15 - Conexiones de la batería



3.5 SERVICIO DEL FILTRO DE AIRE

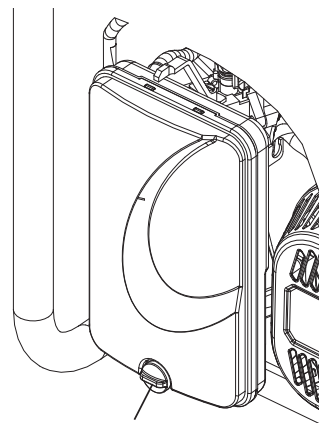
Si se usa un filtro de aire sucio, el motor puede operar incorrectamente o dañarse. Limpie el filtro de aire cada 50 horas o una vez al año (Figura 16). Realizar la limpieza o el reemplazo más a menudo si se opera bajo condiciones de mucho polvo. El número de parte para esta limpiador de aire es 0G84420151.

1. Retire la cubierta del filtro de aire.
2. Lave con agua jabonosa. Seque el filtro exprimiéndolo con un paño limpio (NO LO TUERZA).
3. Limpie la cubierta del filtro de aire antes de reinstalarlo.

NOTA:

Para pedir un nuevo filtro de aire, contacte al centro de servicio autorizado más cercano al 1-888-436-3722.

Figura 16 - Filtro de aire



PERILLA PARA ABRIR LA CAJA DE AIRE

3.5.1 LIMPIEZA DEL TAMIZ SUPRESOR DE CHISPAS (MODELOS CARB)

El silenciador del escape del motor tiene un tamiz supresor de chispas. Inspeccione y limpie el tamiz al menos una vez al año (Figura 17). Si la unidad se usa regularmente, inspeccione y límpielo más frecuentemente.

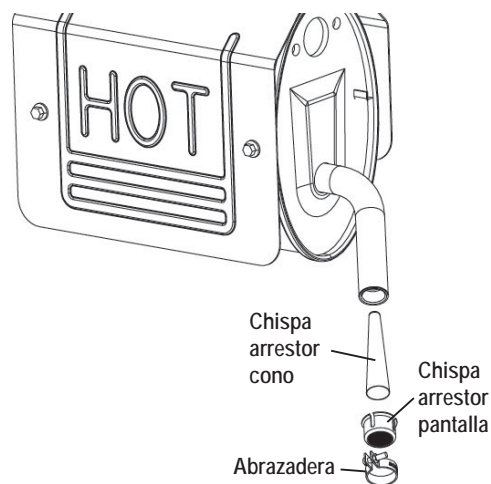
⚠ PELIGRO

! Si usa el generador en tierra no mejorada cubierta de bosque, maleza o pasto, este debe tener un supresor de chispas. El propietario/operador debe mantener el supresor de chispas en buenas condiciones.

Limpie e inspeccione el supresor de chispas cuando el motor se encuentre a temperatura ambiente de la siguiente manera:

1. Retire el tamiz supresor de chispas del silenciador aflojando la abrazadera y retirando el tornillo.
2. Inspeccione el tamiz y sustitúyalo si está desgarrado, perforado o dañado de alguna otra forma. **NO USE** un tamiz defectuoso. Si el tamiz no se encuentra dañado, límpielo con algún solvente comercial.
3. Sustituya el supresor de chispas y sujételo con la mordaza y el tornillo.

Figura 17 – Tamiz del supresor de chispas



NOTA:

Para pedir un nuevo filtro de aire o tamiz supresor de chispas, póngase en contacto con el centro de servicio autorizado más cercano llamando al 1-800-333-1322.

3.6 HOLGURA DE VÁLVULAS

- Admisión — 0.15 ± 0.02 mm (frío), (0.006 ± 0.0008 in)
- Escape — 0.20 ± 0.02 mm (frío) (0.008 ± 0.0008 in)

Luego de las primeras 50 horas de funcionamiento, revise la holgura de válvulas en el motor y ajuste si es necesario.

Importante: Si no se siente cómodo haciendo este procedimiento o si no dispone de las herramientas adecuadas, lleve el generador al centro de servicio más cercano para que ajuste la holgura de válvulas. Este es un paso muy importante para asegurar una larga vida útil del motor.

3.7 GENERALIDADES

El generador se debe arrancar al menos una vez cada 30 días y se debe hacer funcionar durante al menos 30 minutos. Si esto no es posible y la unidad debe ser almacenada por más que 30 días, use la siguiente información como guía para prepararlo para el almacenamiento.

⚠ PELIGRO

⚠ NUNCA almacene el motor con combustible en el tanque en interiores o en zonas con mala ventilación donde los gases puedan alcanzar una llama abierta, chispa o llama piloto como en un horno, calefón, secarropas u otros artefactos de gas.

⚠ Espere a que la unidad se enfríe completamente antes de almacenarla.

3.8 ALMACENAMIENTO A LARGO PLAZO

Es importante evitar la formación de depósitos de goma en piezas esenciales del sistema de combustible como el carburador, la manguera o el tanque de combustible durante el almacenamiento. Además, la experiencia indica que los combustibles mezclados con alcohol (llamados gasohol, etanol o metanol) pueden atraer humedad, lo que ocasiona la separación y la formación de ácidos durante el almacenamiento. El gas ácido puede dañar el sistema de combustible de un motor durante el almacenamiento.

Para evitar problemas en el motor, el sistema de combustible debería vaciarse antes de ser almacenarlo por 30 días o más, como sigue:

1. Añada un estabilizador de gasolina de buena calidad al combustible según las especificaciones del fabricante, y haga funcionar la unidad por 10-15 minutos.
2. Luego de que el motor se enfríe, retire toda la gasolina del tanque de combustible. Use un sifón de vacío no conductor disponible comercialmente.

⚠ PELIGRO

⚠ Vacíe el combustible en un contenedor aprobado en exteriores, alejado de llamas abiertas. Asegúrese de que el motor esté frío. No fume.

3. Arranque y haga funcionar el motor hasta que se pare por falta de combustible.
4. Luego de que el motor se enfríe, vacíe el aceite del motor. Rellene con el grado recomendado.
5. Retire la bujía y vierta alrededor de 1/2 onza (15 ml) de aceite de motor en el cilindro. Cubra el agujero de la bujía con un trapo. Tire del arrancador a cuerda un par de veces para lubricar los aros del pistón y la cavidad del cilindro. Se puede usar también aceite protector de cilindros en vez de aceite común.

⚠ CUIDADO

⚠ Evite la pulverización del agujero de la bujía cuando gire el motor.

6. Instale y ajuste la bujía. No conecte el cable de distribución.
7. Limpie las superficies exteriores del generador. Revise que las ranuras de aire de refrigeración y las aberturas del generador se encuentren abiertas y sin obstrucciones.
8. Almacene la unidad en un lugar limpio y seco.

3.9 OTROS CONSEJOS SOBRE EL ALMACENAMIENTO

- No almacene gasolina de una estación a otra.
- Sustituya el contenedor de gasolina si comienza a oxidarse. El óxido y/o la tierra en la gasolina causarán problemas en el carburador y el sistema de combustible.
- Si es posible, almacene la unidad en interiores y cúbrala para protegerla del polvo y la tierra. **ASEGÚRESE DE VACIAR EL TANQUE DE COMBUSTIBLE.**
- Si no es posible vaciar el tanque de combustible y la unidad será almacenada durante cierto tiempo, use un estabilizador de gasolina disponible comercialmente añadido a la gasolina para aumentar la vida útil de ésta. Haga funcionar la unidad por 10-15 minutos, cierre la válvula de combustible y déjela funcionando hasta que el motor pare por falta de combustible.
- Cubra la unidad con una cubierta protectora adecuada que no retenga humedad.

⚠ PELIGRO

⚠ NUNCA cubra el generador mientras las zonas del motor y del escape se encuentren tibias.

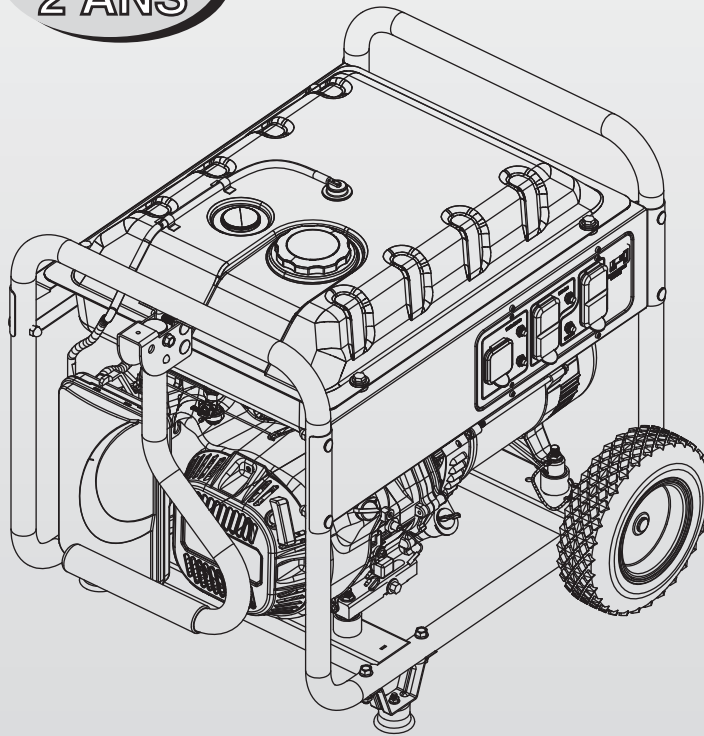
Resolución de problemas

4.1 GUÍA DE RESOLUCIÓN DE PROBLEMAS

PROBLEMA	CAUSA	SOLUCIÓN
El motor funciona, pero no hay salida de CA.	<ol style="list-style-type: none"> 1. El disyuntor se encuentra abierto. 2. Conexión deficiente o conjunto de cables de conexión defectuoso. 3. El dispositivo conectado está averiado. 4. Fallo en el generador. 	<ol style="list-style-type: none"> 1. Reconecte el disyuntor. 2. Revise y repare. 3. Conecte otro dispositivo que se encuentre en buenas condiciones. 4. Póngase en contacto con un Taller de servicio autorizado.
El motor funciona bien pero se ralentiza cuando se le conectan cargas.	<ol style="list-style-type: none"> 1. Cortocircuito en una carga conectada. 2. El generador está sobrecargado. 3. La velocidad del motor es muy lenta. 4. Generador en cortocircuito. 	<ol style="list-style-type: none"> 1. Desconecte la carga eléctrica en cortocircuito. 2. Vea "No sobrecargue el generador". 3. Póngase en contacto con un Taller de servicio autorizado. 4. Póngase en contacto con un Taller de servicio autorizado.
El motor no arranca; o arranca y funciona con dificultad.	<ol style="list-style-type: none"> 1. La válvula de cierre de combustible se encuentra en OFF. 2. Filtro de aire sucio. 3. Sin gasolina. 4. Gasolina vencida. 5. El cable de distribución no se encuentra conectado a la bujía. 6. Bujía averiada. 7. Agua en la gasolina. 8. Cebado en exceso. 9. Nivel de aceite bajo. 10. Mezcla de combustible excesivamente rica. 11. La válvula de admisión se encuentra atorada abierta o cerrada. 12. El motor ha perdido compresión. 	<ol style="list-style-type: none"> 1. Gire la válvula de cierre de combustible a la posición ON. 2. Limpie o sustituya el filtro de aire. 3. Llene el tanque de combustible. 4. Vacíe el tanque de combustible y llene con combustible nuevo. 5. Conecte el cable a la bujía. 6. Sustituya la bujía. 7. Vacíe el tanque de combustible; llene con combustible nuevo. 8. Ponga la perilla del cebador en la posición sin cebado. 9. Llene el cárter hasta el nivel correcto. 10. Póngase en contacto con un Taller de servicio autorizado. 11. Póngase en contacto con un Taller de servicio autorizado. 12. Póngase en contacto con un Taller de servicio autorizado.
El motor se apaga durante el funcionamiento.	<ol style="list-style-type: none"> 1. Sin gasolina. 2. Nivel de aceite bajo. 3. Fallo en el motor. 	<ol style="list-style-type: none"> 1. Llene el tanque de combustible. 2. Llene el cárter hasta el nivel correcto. 3. Póngase en contacto con un Taller de servicio autorizado.
Falta potencia del motor.	<ol style="list-style-type: none"> 1. La carga es muy alta. 2. Filtro de aire sucio. 3. El motor necesita mantenimiento. 	<ol style="list-style-type: none"> 1. Reduzca la carga (vea "No sobrecargue el generador"). 2. Limpie o sustituya el filtro de aire. 3. Póngase en contacto con un Taller de servicio autorizado.
El motor funciona inestablemente o falla.	<ol style="list-style-type: none"> 1. El cebador se abre demasiado temprano. 2. El carburador tiene una mezcla muy rica o muy pobre. 	<ol style="list-style-type: none"> 1. Mueva el cebador a la posición media hasta que el motor funcione suavemente. 2. Póngase en contacto con un Taller de servicio autorizado.

Manuel d'entretien Générateur portable série GP

GARANTIE
LIMITÉE DE
2 ANS



⚠ DANGER!

- ⚠ GAZ D'ÉCHAPPEMENT MORTEL ! Utiliser UNIQUEMENT à L'EXTÉRIEUR loin des fenêtres, portes et événements !**
- ⚠ L'UTILISATION N'EST PAS PRÉVUE POUR LES MOYENS D'ENTRETIEN ARTIFICIEL DE LA VIE.**
- ⚠ CONSERVER ce manuel. Fournir ce manuel aux opérateurs de la génératrice.**

Table des matières

Introduction	41	Entretien	52
Lire attentivement ce manuel	41	3.1 Effectuer le Programme d'entretien	52
Règles de sécurité	41	3.2 Programme d'entretien	52
Index des normes.....	43	3.3 Spécifications du produit.....	52
Informations générales	44	3.4 Recommandations générales.....	53
1.1 Déballage	44	3.5 Entretien du filtre à air	54
1.2 Assemblage	44	3.6 Jeu des soupapes	55
1.3 Informations au sujet des émissions	45	3.7 Généralités	55
Fonctionnement	45	3.8 Entreposage à long terme.....	55
2.1 Connaître le générateur.....	45	3.9 Autres conseils d'entreposage	55
2.2 Horomètre.....	46	Dépannage	56
2.3 Prises de connexion	46	4.1 Guide de dépannage.....	56
2.4 Comment utiliser la génératrice	47	Remarques	57
2.5 Ne pas surcharger la génératrice	48		
2.6 Guide de référence de wattage	49		
2.7 Avant de démarrer la génératrice	49		
2.8 Démarrer les moteurs à démarrage manuel	50		
2.9 Démarrer les moteur à démarrage électrique	51		
2.10 Arrêter le moteur	51		
2.11 Système d'arrêt de niveau bas d'huile	51		
2.12 Charger la batterie (appareils à démarrage électrique seulement)	52		

ADVERTISSEMENT!

Proposition 65 Californie

L'échappement du moteur et certains de ses constituants sont susceptibles selon l'État de Californie d'entraîner des cancers, des malformations congénitales ou pouvant être nocifs pour le système reproductif.

ADVERTISSEMENT!

Proposition 65 Californie

Ce produit contient ou émet des produits chimiques susceptibles selon l'État de Californie d'entraîner des cancers, des malformations congénitales ou autres maladies pouvant être nocifs pour le système reproductif.

INTRODUCTION

Merci d'avoir acheté ce modèle fabriqué par Generac Power Systems, Inc. Ce modèle est une génératrice entraîné par moteur compacte, à haute performance, refroidie à l'air, conçue pour fournir l'alimentation électrique afin de faire fonctionner les charges électriques lorsqu'aucun réseau électrique n'est disponible ou à la place du réseau en raison d'une coupure de courant.

LIRE ATTENTIVEMENT CE MANUEL

En cas d'incompréhension d'une partie de ce manuel, contacter le dépositaire agréé le plus proche pour connaître les procédures de démarrage, de fonctionnement et d'entretien.

L'opérateur est responsable de l'utilisation correcte et sûre de l'équipement. Nous recommandons fortement à l'opérateur de lire ce manuel et de comprendre complètement toutes les instructions avant d'utiliser l'équipement. Nous recommandons également fortement d'apprendre à d'autres utilisateurs comment correctement démarrer et faire fonctionner l'unité. Cela les prépare au cas où ils auraient besoin de faire fonctionner l'équipement pour une urgence.

La génératrice peut fonctionner en toute sécurité, de façon efficace et de façon fiable uniquement si elle est correctement installée, utilisée et entretenue. Avant d'utiliser ou entretenir la génératrice :

- Se familiariser avec et respecter strictement tous les codes et réglementations locaux, d'État et nationaux.
- Lire attentivement tous les avertissements de sécurité figurant dans ce manuel et sur le produit.
- Se familiariser avec ce manuel et l'unité avant de l'utiliser.

Le fabricant ne peut pas anticiper toutes les situations possibles qui peuvent impliquer un danger. Les avertissements de ce manuel et figurant sur les étiquettes et les autocollants apposés sur l'unité ne sont, toutefois, pas exhaustifs. Si vous suivez une procédure, une méthode de travail ou une technique de fonctionnement que le fabricant ne recommande pas en particulier, assurez-vous qu'elle est sans danger pour les autres. S'assurer que la procédure, la méthode de travail ou la technique de fonctionnement choisie ne rende pas la génératrice dangereuse.

LES INFORMATIONS CONTENUES DANS LE PRÉSENT MANUEL SE BASENT SUR LES MACHINES EN PRODUCTION AU MOMENT DE LA PUBLICATION. GENERAC SE RÉSERVE LE DROIT DE MODIFIER CE MANUEL À TOUT MOMENT.

RÈGLES DE SÉCURITÉ

Dans tout ce manuel, et sur les étiquettes et sur les autocollants apposés sur la génératrice, les blocs DANGER, AVERTISSEMENT, ATTENTION et REMARQUE servent à alerter le personnel d'instructions spéciales au sujet d'une opération spécifique qui peut s'avérer dangereuse si elle n'est pas effectuée correctement ou avec précaution. Les respecter attentivement. Leurs définitions sont les suivantes :

DANGER

INDIQUE UNE SITUATION OU UNE ACTION DANGEREUSE QUI, SI ELLE N'EST PAS ÉVITÉE, ENTRAÎNERA LA MORT OU DES BLESSURES GRAVES.

AVERTISSEMENT

Indique une situation ou une action dangereuse qui, si elle n'est pas évitée, pourrait entraîner la mort ou des blessures graves.

ATTENTION

Indique une situation ou une action dangereuse qui, si elle n'est pas évitée, entraînera des blessures légères ou modérées.

REMARQUE :

Les remarques contiennent des informations supplémentaires importantes relatives à une procédure et se trouvent dans le corps de texte régulier de ce manuel.

Ces avertissements de sécurité ne peuvent pas éliminer les dangers qu'ils signalent. Le sens commun et le respect strict des instructions spéciales lors de l'action ou l'entretien sont essentiels pour éviter les accidents.

Quatre symboles de sécurité couramment utilisés accompagnent les blocs **DANGER**, **AVERTISSEMENT** et **ATTENTION**. Chacun indique le type d'informations suivant :

 **Ce symbole indique des informations importantes relatives à la sécurité qui, si elles ne sont pas suivies, pourraient mettre en danger la sécurité personnelle et/ou les biens.**

 **Ce symbole indique un risque potentiel d'explosion.**

 **Ce symbole indique un risque potentiel d'incendie.**

 **Ce symbole indique un risque potentiel d'électrocution.**

DANGERS GÉNÉRAUX


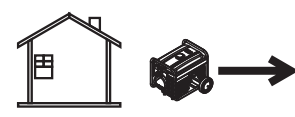
- NE JAMAIS faire fonctionner dans un espace clos, dans un véhicule, ou à l'intérieur même si les portes et les fenêtres sont ouvertes.
- Pour des raisons de sécurité, le fabricant recommande que la maintenance de cet équipement soit effectuée par un dépositaire agréé. Inspecter régulièrement la génératrice et contacter le dépositaire agréé le plus proche pour les pièces qui nécessitent une réparation ou un remplacement.
- Faire fonctionner la génératrice uniquement sur des surfaces de niveau et où elle ne sera pas exposée à l'humidité, aux saletés, à la poussière ou aux vapeurs corrosives excessives.
- Tenir les mains, les pieds, les vêtements, etc., à distance des courroies de transmission, des ventilateurs et d'autres pièces mobiles. Ne jamais retirer tout protège-ventilateur pendant que l'unité fonctionne.
- Certaines pièces de la génératrice deviennent extrêmement chaudes pendant le fonctionnement. Rester à distance de la génératrice tant qu'elle n'a pas refroidie afin d'éviter des brûlures graves.
- Ne PAS faire fonctionner la génératrice sous la pluie.
- Ne pas modifier la construction de la génératrice ni les commandes, ce qui pourrait créer une condition de fonctionnement dangereuse.
- Ne jamais démarrer ou arrêter l'unité avec les charges électriques branchées aux prises ET avec des dispositifs branchés sous tension. Démarrer le moteur et le laisser se stabiliser avant de brancher les charges électriques. Débrancher toutes les charges électriques avant d'arrêter la génératrice.
- Ne pas insérer d'objet dans les fentes de refroidissement de l'unité.
- Lors du travail sur cet équipement, conserver l'alerte à tout moment. Ne jamais travailler sur l'équipement en cas de fatigue physique ou mentale.
- Ne jamais utiliser la génératrice ou n'importe laquelle de ses pièces comme marche. Monter sur l'unité peut écraser et casser les pièces, et peut entraîner des conditions de fonctionnement dangereuses suite à une fuite de gaz d'échappement, une fuite de carburant, une fuite d'huile, etc.

REMARQUE :

Ce générateur peut être équipé d'un silencieux pare-étincelles. Le propriétaire / l'opérateur de la génératrice devra garder le pare-étincelles en bon état de fonctionnement. Dans l'État de Californie, un pare-étincelles est requis par la loi (Article 4442 du California Public Resources Code). D'autres États peuvent avoir des lois similaires. Les lois fédérales s'appliquent sur le territoire fédéral.

DANGERS D'ÉCHAPPEMENT ET D'EMPLACEMENT

- **Ne jamais faire fonctionner dans un espace clos ou à l'intérieur. NE JAMAIS faire fonctionner dans un espace clos, dans un véhicule, ou à l'intérieur même si les portes et les fenêtres sont ouvertes ! Utiliser UNIQUEMENT à l'extérieur et loin des fenêtres, portes ouvertes, ventilations, et dans un espace dans lequel le gaz d'échappement ne s'accumulera pas de façon mortelle.**

⚠ DANGER	
L'utilisation d'une génératrice à l'intérieur PEUT VOUS TUER EN QUELQUES MINUTES.	
Les génératrices rejettent du monoxyde de carbone. Il s'agit d'un gaz toxique invisible et inodore.	
	
NE JAMAIS utiliser la génératrice à l'intérieur d'une résidence ou d'un garage MÊME SI les portes et les fenêtres sont ouvertes.	Utiliser uniquement à L'EXTÉRIEUR et loin des fenêtres, portes et événements.

- Les gaz d'échappement du moteur contiennent du monoxyde de carbone, qui est invisible et inodore. Ce gaz toxique, s'il est respiré en concentrations suffisantes, peut entraîner une perte de conscience ou même la mort.
- Un débit approprié, non obstrué d'air de refroidissement et de ventilation est important pour corriger le fonctionnement de la génératrice. Ne pas modifier l'installation ou ne pas laisser même un blocage partiel de l'alimentation de ventilation, étant donné que cela peut sérieusement affecter le fonctionnement sûr de la génératrice. La génératrice DOIT fonctionner à l'extérieur.
- Ce système d'échappement doit être correctement entretenu. Ne rien faire qui pourrait rendre le système d'échappement dangereux ou non conforme aux codes locaux et/ou normes locales.
- Toujours utiliser un détecteur d'oxyde de carbone à alimentation par batterie à l'intérieur, conformément aux instructions du fabricant.
- Si vous commencez à vous sentir malade, à avoir des étourdissements ou à vous sentir faible après le fonctionnement de la génératrice, respirez de l'air frais IMMÉDIATEMENT. Consultez un médecin car vous pourriez avoir été empoisonné au monoxyde de carbone.

RISQUES ÉLECTRIQUES

- La génératrice produit une tension dangereusement haute pendant son fonctionnement. Éviter le contact avec les fils nus, les bornes, les branchements, etc., pendant le fonctionnement de l'unité, même sur l'équipement branché à la génératrice. S'assurer que tous les couvercles, les dispositifs de protection et les barrières sont en place avant de faire fonctionner la génératrice.
- Ne jamais manipuler tout type de cordon ou de dispositif électrique qui est dans l'eau, alors que vous êtes pieds nus ou que vos mains ou vos pieds sont mouillés. **CELA ENTRAÎNERA UN RISQUE D'ÉLECTROCUTION.**
- Le National Electric Code (NEC, Code électrique national) exige que le bâti et que les pièces externes électriquement conductrices de la génératrice soient correctement reliés à une mise à terre approuvée. Les codes électriques locaux peuvent également exiger une mise à la terre appropriée de la génératrice. Consulter un électricien local pour connaître les exigences de mise à la terre dans la région.
- Utiliser un disjoncteur de fuite à la terre dans toute zone humide ou très conductrice (telle que le carter protecteur métallique ou l'aciérie).
- N'employez pas des cordons amovibles électriques usés, nus, effilochés ou autrement endommagés avec la génératrice.
- Avant d'effectuer toute maintenance sur la génératrice, débrancher la batterie de démarrage du moteur (le cas échéant) afin d'empêcher un démarrage accidentel. Débrancher le câble de la borne de la batterie signalée par l'inscription NEGATIVE (Négatif), NEG ou (-) en premier. Reconnecter le câble à la fin.
- En cas d'accident causé par électrocution, couper immédiatement la source d'alimentation électrique. Si cela est impossible, essayer de libérer la victime du conducteur sous tension. **ÉVITER TOUT CONTACT DIRECT AVEC LA VICTIME.** Utiliser un objet non conducteur, comme une corde ou une planche, pour libérer la victime du conducteur sous tension. Si la victime est inconsciente, assurer les premiers secours et demander une aide médicale immédiate.

RISQUES D'INCENDIE

- L'essence est très **INFLAMMABLE** et ses vapeurs sont **EXPLOSIVES**. **Ne pas produire de fumée, flammes nues, étincelles ou chaleur à proximité de l'endroit où l'essence est manipulée.**
- **Ne jamais ajouter de carburant lorsque l'unité fonctionne ou est chaude.** Laisser le moteur complètement refroidir avant d'ajouter du carburant.
- **Ne jamais remplir le réservoir de carburant à l'intérieur.** Respecter toutes les lois réglementant l'entreposage et la manipulation de l'essence.
- **Ne pas trop remplir le réservoir de carburant. Toujours laisser de la place pour l'expansion du carburant.** Si le réservoir est trop rempli, l'essence peut déborder sur un moteur chaud et entraîner un **INCENDIE** ou une **EXPLOSION**. Ne jamais entreposer la génératrice avec le réservoir rempli de carburant étant donné que les vapeurs d'essence pourraient atteindre une flamme ouverte, des étincelles ou une veilleuse (comme il y en a sur une chaudière, un chauffe-eau ou sur un sèche-linge). Cela peut entraîner un **INCENDIE** ou une **EXPLOSION**. Laisser l'unité complètement refroidir avant l'entreposage.
- Nettoyer immédiatement toute éclaboussure de carburant ou d'huile. S'assurer qu'aucune matière combustible ne reste sur ou à proximité de la génératrice. Garder l'espace environnant de la génératrice propre et sans débris et garder un jeu de cinq (5) pieds sur tous les côtés afin de permettre une aération adaptée de la génératrice.

- Ne pas insérer d'objet dans les fentes de refroidissement de l'unité.
- **Ne pas** faire fonctionner la génératrice si des dispositifs électriques branchés surchauffent ; si la puissance électrique est perdue ; si le moteur ou la génératrice fait des étincelles ; si des flammes ou de la fumée sont détectées alors que l'unité fonctionne.
- Garder un extincteur à proximité de la génératrice à tout moment.

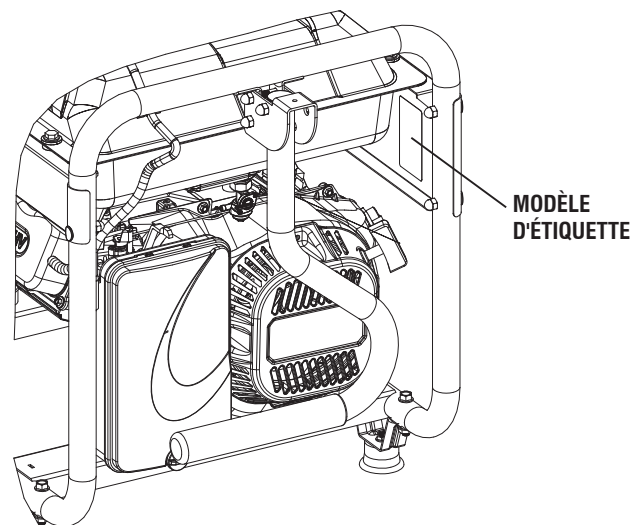
INDEX DES NORMES

1. National Fire Protection Association (Association nationale pour la protection contre les incendies) 70 : Le NATIONAL ELECTRIC CODE (Code électrique national) disponible auprès de www.nfpa.org
2. National Fire Protection Association (Association nationale pour la protection contre les incendies) 5000 : Le BUILDING CONSTRUCTION AND SAFETY CODE disponible auprès de www.nfpa.org
3. International Building Code disponible auprès de www.iccsafe.org
4. Agricultural Wiring Handbook disponible auprès de www.nerc.org, Rural Electricity Resource Council P.O. Box 309 Wilmington, OH 45177-0309
5. ASAE EP-364.2 Installation and Maintenance of Farm Standby Electric Power (Installation et maintenance des systèmes électriques de secours pour les fermes), disponible auprès de www.asabe.org, American Society of Agricultural & Biological Engineers, 2950 Niles Road, St. Joseph, MI 49085

Cette liste n'est pas exhaustive. Vérifier avec l'autorité locale ayant juridiction pour les codes et normes locaux qui peuvent être appliqués à votre juridiction.

N° DE MODÈLE :	
N° DE SÉRIE :	

Emplacement ID de l'unité



1.1 DÉBALLAGE

- Retirer tout le matériel d'emballage.
- Retirer la boîte d'accessoires.
- Retirer le générateur de la boîte.

1.1.1 ACCESSOIRES

Vérifier l'ensemble du contenu. Si des pièces sont manquantes ou endommagées, composez le 1-888-436-3722 pour trouver un dépositaire agréé.

- 1 - Manuel de l'utilisateur
- 1 - Litre d'huile SAE 30
- 2 - Roues jamais plates
- 3 - Cartes d'enregistrement du produit (modèle 006110-3 uniquement)
- 1 - Service Warranty
- 1 - Chargeur de batterie (modèles à démarrage électrique)
- 1 - Sachet de quincaillerie d'assemblage (contenant les items suivants) :
 - 2 pieds-support en caoutchouc
 - 2 chevilles d'essieu de 1/2 po
 - 2 goupilles fendues
 - 2 rondelles plates de 1/2 po
 - 2 écrous hexagonaux à embase M6
 - 1 - Poignée
 - 2 - Pieds-support du châssis
 - 1 - Cordon d'alimentation de 20 pi
 - 1 - Emissions Warranty
 - 6 boulons M8 (longs)
 - 2 boulons M6 (longs)
 - 2-Écrous borgnes M8
 - 4-Écrous hexagonaux à embase M8

1.2 ASSEMBLAGE

Le générateur requiert un certain assemblage avant son utilisation. Si un problème survient lors de l'assemblage du générateur, veuillez appeler la ligne d'assistance pour les génératrices au 1-888-436-3722.

1.2.1 ASSEMBLAGE DU KIT D'ACCESSOIRES

Les roues sont conçues pour être ajoutées à l'appareil afin d'améliorer grandement la portabilité du générateur.

Vous aurez besoin des outils suivants pour installer le kit d'accessoires.

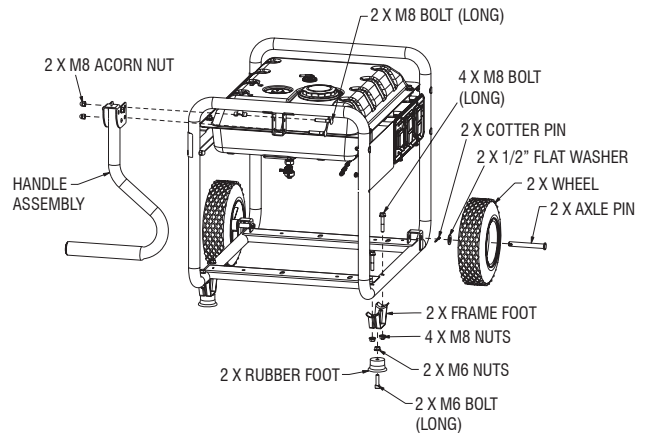
- Pince à bec effilé
- Clé à cliquet et douilles de 8 mm, 10 mm et 13 mm
- Clés polygonales de 8 mm, 10 mm et 13 mm

REMARQUE :

Les roues ne sont pas conçues pour être utilisées dans la rue.

1. Vous référer au Schéma 1 et installer les roues comme suit :
 - Glisser la cheville d'essieu dans la roue, une rondelle plate de 1/2 po et un support de roue du châssis.
 - Insérer la goupille fendue dans la cheville d'essieu, puis replier les extrémités (de la goupille fendue) vers l'extérieur pour la maintenir en place.
2. Vous référer au Schéma 1 et installer les pieds-support du châssis et les butées de caoutchouc comme illustré.
 - Glisser les pointes des butées de caoutchouc dans les pieds-support, puis installer les écrous à embase de verrouillage.
 - Glisser les boulons à tête hexagonale dans les trous du longeron du châssis.
 - Glisser les pieds-support du châssis sur les boulons à tête hexagonale, puis installer les écrous à embase de verrouillage.
3. Vous référer au Schéma 1 et installer la poignée comme illustré.
 - Glisser les boulons longs dans le support de la poignée et la poignée, puis installer les écrous hexagonaux.

Schéma 1 – Assemblage des roues et de la poignée



1.2.2 CONNEXION DU CÂBLE DE LA BATTERIE (DÉMARRAGE ÉLECTRIQUE SEULEMENT)

Cet appareil a été livré délibérément avec les câbles de la batterie débranchés.

Pour brancher la batterie, vous aurez besoin de deux clés à douille de 8 mm pour brancher les câbles de la batterie. (voir la Schéma 17 pour les détails de la connexion) :

1. Couper les colliers de serrage des câbles de la batterie et retirer les couvertures rouges des bornes de la batterie.
2. Ensuite, brancher le câble rouge sur la borne positive (+) de la batterie avec le boulon et l'écrou fournis.
3. S'assurer que les connexions sont bien installées et glisser les bottes en caoutchouc sur la borne positive (+) et le matériel de connexion.
4. Brancher le câble noir à la borne négative (-) avec le boulon et l'écrou fournis et glisser les bottes en caoutchouc sur la borne négative (-) et le matériel de connexion.
5. Assurez-vous que toutes les connexions sont bien fixées.

REMARQUE :

Si la batterie ne peut pas démarrer le moteur, chargez-la avec le chargeur de 12V inclus dans la boîte d'accessoires (voir la section « Charger une batterie » pour des détails).

1.3 INFORMATIONS AU SUJET DES ÉMISSIONS

L'Agence de protection de l'environnement (et le Comité des ressources de l'air de la Californie pour les générateurs certifiés selon les normes CA) exige que ce générateur soit conforme aux normes d'émissions d'échappement et par évaporation. Identifiez l'étiquette contenant les informations au sujet de la conformité aux normes d'émissions apposé sur le moteur pour déterminer quelles sont les normes rencontrées par le générateur et quelle est la garantie applicable. Ce générateur est certifié pour fonctionner à l'essence. Le système de contrôle des émissions comprend les composantes suivantes (le cas échéant) :

- Système d'induction d'air
 - Tuyau d'adduction / Collecteur
 - Filtre à air
- Circuit d'alimentation
 - Carburateur
 - Réservoir / Bouchon de carburant
 - Conduite de carburant
 - Conduites d'évaporation
 - Absorbant de vapeurs d'essence
- Système d'allumage
 - Bougie d'allumage
 - Module d'allumage
- Système d'échappement
 - Collecteur d'échappement
 - Silencieux
 - Robinet d'air comprimé
 - Catalyseur

2.1 CONNAÎTRE LE GÉNÉRATEUR

Lire le manuel de l'utilisateur et les règles de sécurité avant d'utiliser ce générateur.

Comparer le générateur aux Schémas 2 à 4 afin de vous familiariser avec l'emplacement des diverses commandes et différents ajustements. Conserver ce manuel pour référence ultérieure.

1. **Prise double de 120 volts CA, 20 Amp** – Fournit une alimentation électrique de 120 volts CA, 20 Amp pour une utilisation monophasée, un éclairage électrique de 60 Hz, pour l'appareil, l'outil et les charges de moteur (les modèles CARB sont munis de sorties de disjoncteurs de fuites à la terre).
2. **Prise à verrouillage de 120/240 volts CA, 30 Amp** – Fournit une alimentation électrique de 120 et/ou 240 volts CA, 30 Amp pour une utilisation monophasée, un éclairage électrique de 60 Hz, pour l'appareil, l'outil et les charges de moteur.
3. **Disjoncteurs (CA)** – Chaque prise est munie d'un disjoncteur pousser pour réenclencher afin de protéger le générateur des surcharges électriques.
4. **Tuyau de vidange d'huile** – À utiliser pour vidanger d'huile du moteur.
5. **Filtre à air** – Filtre l'air entrant alors qu'il est tiré dans le moteur.
6. **Bouton Choke** – À utiliser lorsque le moteur est démarré à froid.
7. **Réservoir de carburant** – Consulter la section Spécifications du produit pour connaître la capacité du réservoir.
8. **Tige de mise à la terre** – Pour mettre à la terre le générateur sur une terre approuvée. Consulter la section « Mise à la terre du générateur » pour de plus amples informations.
9. **Interrupteur Run/Stop (Marche/Arrêt)** – Pour contrôler le fonctionnement du générateur (modèles à démarrage manuel).
- 9A. **Interrupteur Start (Marche)** – Utilisé pour mettre le moteur en marche à partir du démarreur (modèles à démarrage électrique uniquement).
10. **Silencieux** – Réduit le bruit du moteur.

11. **Poignée** – Pivoter et retirer pour l'entreposage. Appuyer sur le bouton à ressort pour bouger les poignées.
12. **Bouchon du réservoir de carburant** – Emplacement pour le remplissage de carburant.
13. **Jauge de carburant** – Indique le niveau de carburant dans le réservoir.
14. **Réservoir d'huile** – Ajouter l'huile ici.
15. **Lanceur à rappel** – À utiliser pour démarrer le moteur manuellement.
16. **Robinet à combustible** – Robinet situé entre le réservoir de carburant et le carburateur.
17. **Robinet de transfert** – Transfère le carburant dans la boîte à vent du moteur.
18. **Tuyau de récupération** – Installé entre le réservoir à charbon actif et le robinet de transfert (le cas échéant).
19. **Horomètre** – Effectue le suivi des heures d'utilisation.
20. **Entrée du chargeur de batterie** – Cette prise permet de recharger la batterie rechargeable de 12 volts CC fournie avec l'adaptateur du chargeur, qui est compris dans la boîte d'accessoires. À l'arrière de l'entrée du chargeur de batterie se trouve un fusible en ligne de 1,50 Amp situé à l'intérieur du panneau de commande afin de protéger la batterie (modèles à démarrage électrique uniquement).
21. **Batterie** – Alimente le démarreur électrique (modèles à démarrage uniquement).
22. **Pare-étincelles** – Réduit les risques d'incendie en contenant les étincelles (modèles CARB uniquement).

Schéma 2A - Panneau de commande (modèles 49 State)

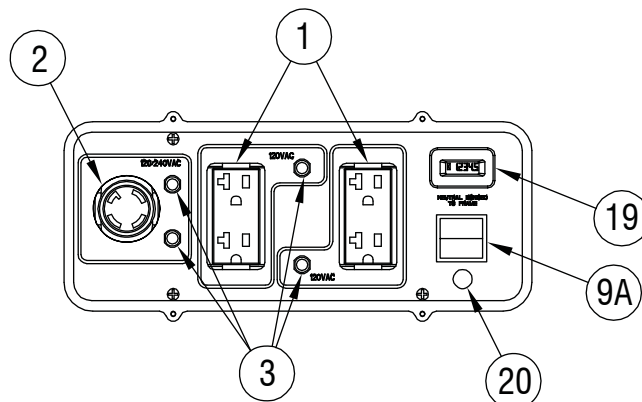


Schéma 2B - Panneau de commande (modèles CARB)

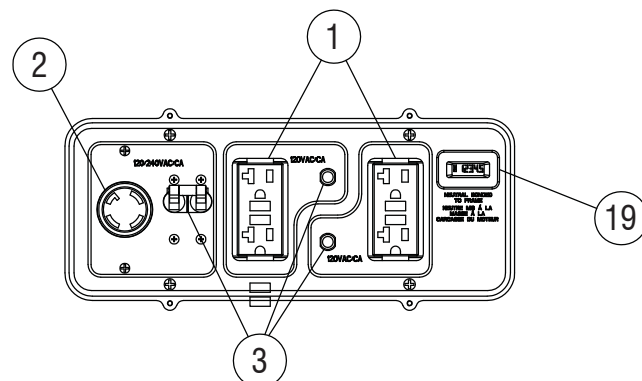


Schéma 2C - Panneau de commande (modèles CSA)

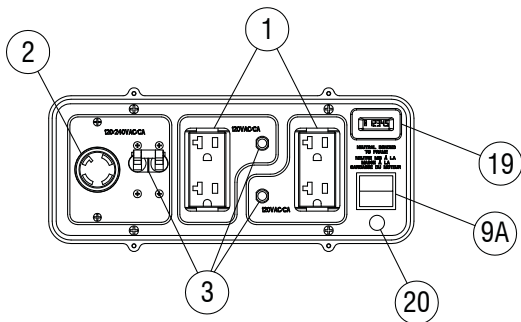


Schéma 3 - Commandes du générateur

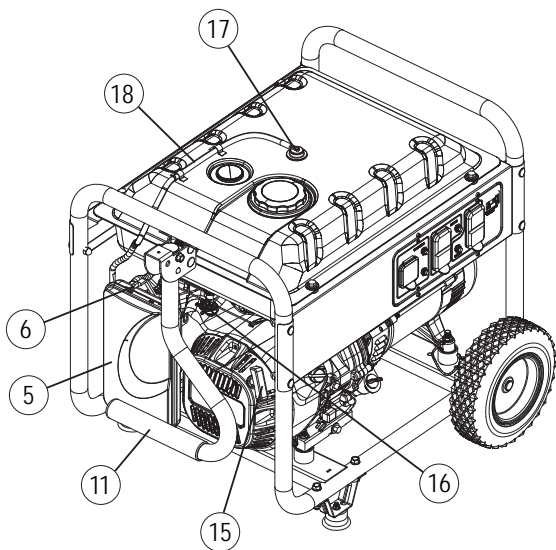
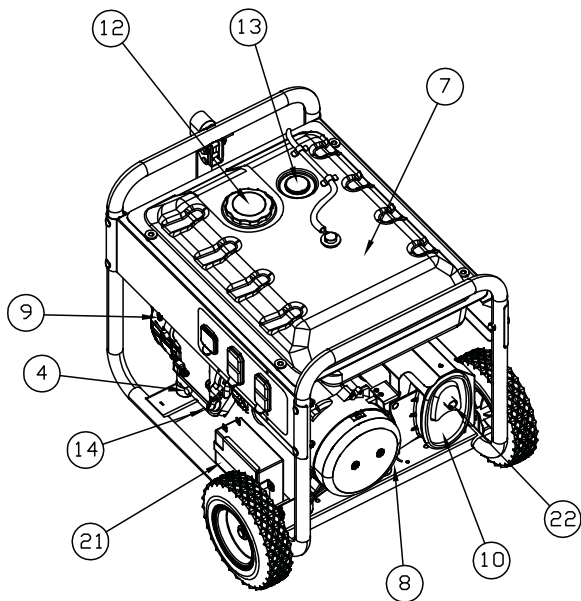


Schéma 4 - Commandes du générateur



2.2 HOROMÈTRE

L'horomètre relève les heures de fonctionnement pour la maintenance programmée :

Un message « CHG OIL » s'affichera toutes les 100 heures. Le message clignotera une heure avant et une heure après chaque intervalle de 100 heures, laissant une marge de deux heures pour effectuer l'entretien.

Ce message commencera à clignoter à la 99^{ème} heure et se désactivera à la 101^{ème} heure, laissant une marge de deux heures pour effectuer l'entretien.

Toutes les 200 heures, l'icône « SVC » située en bas à gauche de l'écran clignotera. Le message clignotera une heure avant et une heure après chaque intervalle de 200 heures, laissant une marge de deux heures pour effectuer l'entretien.

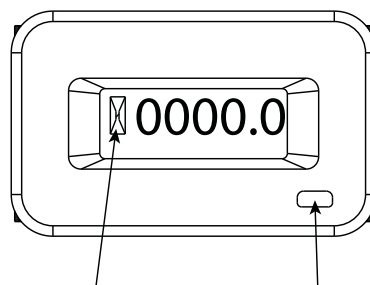
Lorsque l'horomètre est en mode Flash Alert (Alerte clignotante), le message de maintenance s'affichera toujours en alternance avec le temps écoulé en heures et en dixièmes. Les heures feront clignoter quatre heures, puis s'afficheront en alternance avec le message de maintenance quatre fois jusqu'à ce que la réinitialisation de l'horomètre.

- 100 heures - CHG OIL — Intervalle de changement d'huile (Toutes les 100 heures)
- 200 heures - SVC — Service de filtre à air (toutes les 200 heures)

REMARQUE :

Le graphique de sablier clignotera et s'éteindra lorsque le moteur est en marche. Ceci signifie que l'unité surveille les heures de fonctionnement.

Schéma 5 - Horomètre



**GRAPHIQUE
DE SABLIER**

**BOUTON DE
RÉINITIALISATION
(LE CAS ÉCHÉANT)**

2.3 PRISES DE CONNEXION

2.3.1 PRISE DOUBLE DE 120 VOLTS CA, 20 AMP

Il s'agit d'une prise de 120 volts protégée contre la surcharge par un disjoncteur à poussoir de 20 A (Schéma 6). Utiliser chaque douille pour alimenter les charges électrique à 120 volts CA, monophasé, 60 Hz nécessitant jusqu'à 2400 watts combinés (2,4 kW) ou 20 A de courant. Utiliser uniquement des cordons à trois fils avec mise à la terre, bien isolés, de haute qualité conçus pour 125 Volts à 20 A (ou plus).

Garder les rallonges aussi courtes que possible, de préférence moins de 15 pieds de longueur, pour empêcher la chute de tension et une surchauffe possible des fils.

Schéma 6 - Prise double de 120 Volts CA, 20 Amp

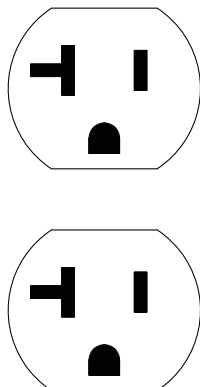


Schéma 7 - Prise de 120/240 Volts CA, 30 Amp

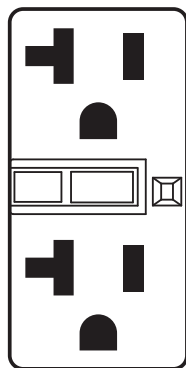


2.3.2 120 VAC, 20 AMPÈRES, EN DUPLEX GFCI RÉCIPIENT (CARB SEULEMENT)

Il s'agit d'une prise de 120 volts protégée contre la surcharge par un disjoncteur de type « pousser pour réenclencher » de 20 A (Schéma 6A). Utiliser chaque prise pour alimenter les charges électriques monophasées de 120 V c.a., 20 A, 60 Hz nécessitant 2 400 watts (2,4 kW) ou 20 A de courant. Utiliser uniquement des cordons à trois fils avec mise à la terre, bien isolés, de haute qualité conçus pour 125 Volts à 20 A (ou plus).

Garder les cordons prolongateurs aussi courts que possible afin d'empêcher une chute de tension et une surchauffe potentielle des câbles.

Schéma 6A - Prise double DDFT, 120 V c.a., 20 A



2.3.3 PRISE DE 120/240 VOLTS CA, 30 AMP

Utiliser une bougie NEMAL L14-30 avec cette prise (tourner pour verrouiller/déverrouiller). Brancher un cordon à 4 fils avec mise à la terre adapté à la prise et à la charge souhaitée. Le cordon doit être conçu pour 250 Volts CA à 30 A (ou plus) (Schéma 7).

Utiliser cette prise pour alimenter les charges monophasées de 120 volts CA, 60 Hz, nécessitant jusqu'à 3600 watts (3,6 kW) de puissance à 30 A ou les charges monophasées de 240 volts CA, 60 Hz, nécessitant jusqu'à 7200 watts (7,2 kW) de puissance à 30 A. La prise est protégée par un disjoncteur avec interrupteur à bascule de 2 pôles.

2.4 COMMENT UTILISER LA GÉNÉRATRICE

Voir la section "Démarrer le moteur" pour connaître la façon de démarrer et d'arrêter de manière sécuritaire la génératrice et la façon de brancher et débrancher les charges. Si des problèmes se présentent lors du fonctionnement de la génératrice, merci d'appeler la ligne d'assistance pour les génératrices au 1-888-436-3722.


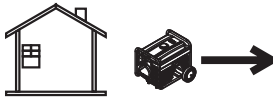
⚠ DANGER!

- ⚠ **Ne jamais faire fonctionner dans un espace clos ou à l'intérieur. NE JAMAIS faire fonctionner dans un espace clos, dans un véhicule, ou à l'intérieur même si les portes et les fenêtres sont ouvertes ! Utiliser UNIQUEMENT à l'extérieur et loin des fenêtres, portes ouvertes, ventilations, et dans un espace dans lequel le gaz d'échappement ne s'accumulera pas de façon mortelle.**
- ⚠ **Les fumées d'échappement du moteur contiennent du monoxyde de carbone, un gaz toxique invisible et inodore. Ce gaz toxique, s'il est respiré en concentrations suffisantes, peut entraîner une perte de conscience ou même la mort.**
- ⚠ **Un débit approprié, non obstrué d'air de refroidissement et de ventilation est important pour corriger le fonctionnement du générateur. Ne pas modifier l'installation ou ne pas laisser même un blocage partiel de l'alimentation de ventilation, étant donné que cela peut sérieusement affecter le fonctionnement sûr du générateur. Il FAUT faire fonctionner le générateur à l'extérieur.**
- ⚠ **Ce système d'échappement doit être correctement entretenu. Ne rien faire qui pourrait rendre le système d'échappement dangereux ou non conforme aux codes locaux et/ou normes locales.**
- ⚠ **Toujours utiliser un détecteur d'oxyde de carbone à alimentation par batterie à l'intérieur, conformément aux instructions du fabricant.**

⚠ DANGER

L'utilisation d'une génératrice à l'intérieur PEUT VOUS TUER EN QUELQUES MINUTES.

Les génératrices rejettent du monoxyde de carbone. Il s'agit d'un gaz toxique invisible et inodore.

	
NE JAMAIS utiliser la génératrice à l'intérieur d'une résidence ou d'un garage MÊME SI les portes et les fenêtres sont ouvertes.	Utiliser uniquement à L'EXTÉRIEUR et loin des fenêtres, portes et événements.

2.4.1 MISE À LA TERRE DE LA GÉNÉRATRICE LORSQU'UTILISÉE COMME PORTABLE

Cette génératrice a une mise à la terre de l'équipement qui branche les composants de la structure de la génératrice aux bornes de terre dans les prises de sortie CA (voir NEC 250.34 (A) pour l'explication). Ceci permet à la génératrice d'être utilisée comme portable sans mettre à la terre le bâti de la génératrice tel qu'établie dans la norme NEC 250.34.

Exigences spéciales

Des réglementations, codes locaux ou ordonnances fédéraux ou au niveau de l'État en matière d'Occupational Safety and Health Administration (OSHA) (Gestion de la sécurité et la santé au travail) peuvent s'appliquer à l'utilisation prévue du générateur.

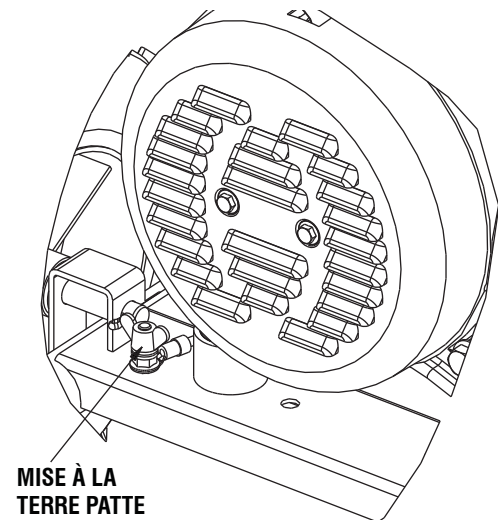
Veuillez consulter un électricien qualifié, un inspecteur électrique ou une agence locale compétente :

- Dans certaines régions, il faut enregistrer les générateurs auprès des services publics locaux.
- Si le générateur est utilisé sur un chantier de construction, il faudra se conformer à d'autres réglementations.

2.4.2 BRANCHER LA GÉNÉRATRICE AU SYSTÈME ÉLECTRIQUE D'UN BÂTIMENT

Il est recommandé d'utiliser un commutateur de transfert manuel lorsque le générateur est connecté directement au système électrique d'un bâtiment. Les connexions d'un générateur portable au système électrique d'un bâtiment doivent être faites par un électricien qualifié, et ce dans le respect rigoureux de tous les codes de l'électricité et de toutes les lois à l'échelle locale et nationale.

Schéma 8 - Mise à la terre du générateur



2.5 NE PAS SURCHARGER LA GÉNÉRATRICE

Surcharger un générateur au-dessus de sa capacité nominale de wattage peut endommager le générateur et les dispositifs électriques branchés. Respecter les consignes suivantes pour empêcher la surcharge de l'unité :

- Calculer le wattage total de tous les dispositifs électriques à brancher en même temps. Ce total ne doit PAS dépasser la capacité de wattage du générateur.
 - Le wattage nominal des lumières peut être indiqué sur les ampoules. Le wattage nominal des outils, des appareils et des moteurs se trouve généralement sur une étiquette ou un autocollant apposé(e) sur le dispositif.
 - Si l'appareil, l'outil ou le moteur n'indique pas le wattage, multiplier la valeur nominale des volts fois la valeur nominale des ampères afin de déterminer les watts (volts x ampères = watts).
 - Certains moteurs électriques, tels que ceux à induction, nécessitent environ trois fois plus de watts d'alimentation pour le démarrage que pour le fonctionnement. Cette surtension d'alimentation dure seulement quelques secondes lors du démarrage des moteurs en question. S'assurer de laisser un wattage de démarrage élevé lors du choix des dispositifs électriques pour brancher le générateur :
1. Calculer les watts nécessaires pour démarrer le moteur le plus grand.
 2. Ajouter à ce chiffre les watts de fonctionnement de toutes les autres charges branchées.

Le Guide de référence de wattage sert à déterminer combien d'éléments le générateur peut faire fonctionner en même temps.

REMARQUE :

Tous les chiffres sont arrondis. Voir les étiquettes sur l'unité pour connaître les exigences de wattage.

2.6 GUIDE DE RÉFÉRENCE DE WATTAGE

Dispositif	Watts de fonctionnement
*Climatiseur (12 000 Btu)	1 700
*Climatiseur (24 000 Btu)	3 800
*Climatiseur (40 000 Btu)	6 000
Chargeur de batterie (20 A)	500
Ponceuse à bande (3 po.)	1 000
Scie à chaîne	1 200
Scie circulaire (6,5 po.)	800 à 1 000
*Sèche-linge (électrique)	5 750
*Sèche-linge (à gaz)	700
*Machine à laver	1 150
Cafetière	1 750
*Compresseur (1 HP)	2 000
*Compresseur (0,75 HP)	1 800
*Compresseur (0,5 HP)	1 400
Fer à friser	700
*Déshumidificateur	650
Ponceuse à disque (9 po.)	1 200
Coupe-bordures	500
Couverture chauffante électrique	400
Cloueuse électrique	1 200
Cuisinière électrique (par élément)	1 500
Poêle électrique	1 250
*Freezer	700
*Ventilateur de chaudière (0,6 HP)	875
*Ouvre-porte de garage	500 à 750
Sèche-cheveux	1 200
Perceuse à main	250 à 1 100
Taille-haie	450
Clé à chocs	500
Fer	1 200
*Pompe à jet	800
Tondeuse à gazon	1 200
Ampoule	100
Four à micro-ondes	700 à 1 000
*Refroidisseur de lait	1 100
Brûleur à mazout de chaudière	300
Radiateur à mazout (140 000 Btu)	400
Radiateur à mazout (85 000 Btu)	225
Radiateur à mazout (30 000 Btu)	150
*Pistolet à peinture, sans air (0,3 HP)	600
Pistolet à peinture, sans air (portable)	150
Radio	50 à 200
*Réfrigérateur	700
Cocotte mijoteuse	200
*Pompe immergée (1,5 HP)	2 800
*Pompe immergée (1 HP)	2 000
*Pompe immergée (0,5 HP)	1 500
*Pompe de vidange	800 à 1 050
*Scie circulaire à table (10 po.)	1 750 à 2 000
Télévision	200 à 500
Grille-pain	1 000 à 1 650
Coupe-mauvaises herbes	500
* Laisser 3 fois les watts indiqués pour le démarrage de ces dispositifs.	

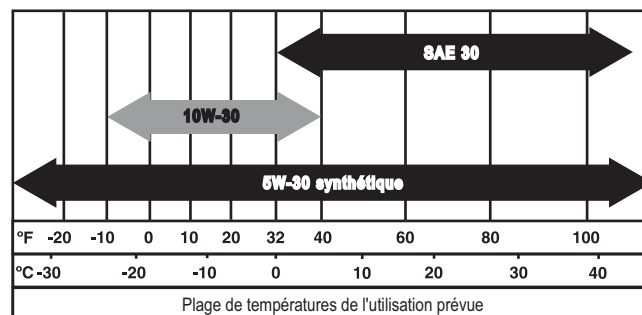
2.7 AVANT DE DÉMARRER LA GÉNÉRATRICE

Avant de faire fonctionner le générateur, de l'huile de moteur et de l'essence devront être ajoutés, de la façon suivante :

2.7.1 AJOUTER L'HUILE À MOTEUR

Toute huile doit respecter la catégorie de service minimale SJ, SL ou mieux de l'American Petroleum Institute (API) (Institut américain du pétrole). N'utiliser aucun additif spécial. Sélectionner le degré de viscosité d'huile selon la température d'exploitation (se reporter également au tableau).

- Au-dessus de 40 °F, utiliser le SAE 30
- En dessous de 40 °F et jusqu'à 10 °F, utiliser le 10W-30
- À toutes les températures : utiliser de l'huile 5W-30 synthétique



⚠ ATTENTION !

! Toute tentative de faire tourner ou de démarrer le moteur avant qu'il ait été correctement entretenu avec l'huile recommandée peut entraîner une panne du moteur.

1. Installer le générateur sur une surface de niveau (ne pas dépasser 15° dans aucune direction).
2. Nettoyer l'espace autour de l'orifice de remplissage d'huile et retirer le bouchon et la jauge graduée.
3. Essuyer la jauge à l'aide d'un chiffon.
4. Remplir lentement le moteur avec de l'huile jusqu'à ce que le liquide atteigne le marquage de jauge pleine. Interrompre régulièrement le remplissage pour vérifier le niveau d'huile. **Faire attention à ne pas trop remplir le réservoir de carburant.**
5. Replacer le bouchon et le serrer fermement à la main.
6. Vérifier le niveau d'huile du moteur avant chaque démarrage par la suite.

2.7.2 AJOUTER DE L'ESSENCE

⚠ DANGER !

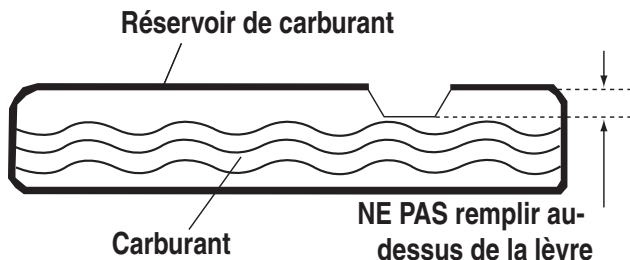
! NE JAMAIS remplir le réservoir d'essence à l'intérieur. Éviter de renverser de l'essence sur un moteur chaud. Laisser le moteur complètement refroidir avant d'ajouter du carburant. NE JAMAIS remplir le réservoir d'essence lorsque le moteur fonctionne ou est chaud. NE PAS allumer une cigarette ni fumer lors du remplissage du réservoir d'essence. L'essence est extrêmement INFLAMMABLE et ses vapeurs sont EXPLOSIVES.

⚠ Ne pas trop remplir le réservoir d'essence. Toujours laisser de la place pour l'expansion du carburant. En cas de suremplissage du réservoir, le carburant peut déborder sur un moteur chaud et entraîner un incendie ou une explosion. Nettoyer immédiatement toute éclaboussure de carburant.

1. Utiliser de l'essence SANS PLOMB régulière avec le moteur du générateur. Ne pas utiliser de supercarburant. Ne pas mélanger l'huile avec l'essence.
2. Nettoyer l'espace autour du bouchon de l'orifice de remplissage d'essence, retirer le bouchon.
3. Ajouter lentement de l'essence régulière sans plomb dans le réservoir d'essence. **Faire attention de ne pas trop remplir** (Schéma 9).
4. Mettre le bouchon du réservoir d'essence et nettoyer toute éclaboussure d'essence.

IMPORTANT : Il est important d'empêcher la formation de dépôts de gomme dans les pièces du circuit de carburant, telles que le carburateur, le tuyau pour combustible ou le réservoir pendant le stockage. L'expérience montre également que les carburants à base d'alcool (appelés gazohol, éthanol ou méthanol) peuvent absorber l'humidité, ce qui entraîne une séparation et la formation d'acides pendant le stockage. Un gaz acide peut endommager le circuit de carburant d'un moteur pendant le stockage de celui-ci. Afin d'éviter tout problème avec le moteur, le circuit de carburant doit être vidé avant le stockage du moteur si celui-ci est d'au moins 30 jours. Voir la section « Stockage ». Ne jamais utiliser de produit nettoyant pour moteur ou carburateur dans le réservoir d'essence étant donné que cela pourrait causer des dommages permanents.

Schéma 9 - Réservoir d'essence



2.8 DÉMARRER LES MOTEURS À DÉMARRAGE MANUEL

⚠ AVERTISSEMENT !

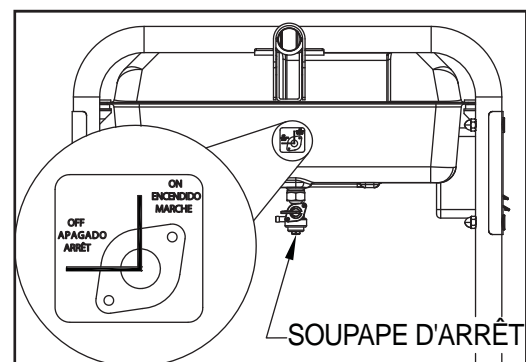
⚠ Ne jamais démarrer ou arrêter le moteur avec les dispositifs électriques branchés dans les prises ET les dispositifs sous tension.

1. Débrancher toutes les charges électriques des prises de l'unité avant de démarrer le moteur.
2. S'assurer que l'unité est dans une position de niveau (ne pas dépasser 15 ° dans aucune direction).
3. OUVRIR la soupape d'arrêt (Schéma 10).
4. Mettre l'interrupteur RUN/STOP (Marche/Arrêt) du moteur sur la position ON (Marche) (Schéma 11).
5. Faire glisser l'étrangleur du moteur de la position LEFT (Gauche) vers la position FULL CHOKE (Étrangleur plein) (Schéma 12).
6. Pour démarrer le moteur, attraper fermement la poignée de rappel et tirer jusqu'à ce qu'une résistance se fasse sentir. Remonter rapidement et démarrer.
7. Lorsque le moteur démarre, mettre le bouton Choke (Étrangleur) sur la position 1/2 CHOKE (Étrangleur à moitié) jusqu'à ce que le moteur fonctionne doucement et ensuite sur la position RUN (Marche). Si le moteur vibre, remettre le levier Choke (Étrangleur) sur la position 1/2 CHOKE (Étrangleur à moitié) jusqu'à ce que le moteur fonctionne doucement et ensuite sur la position RUN (Marche).

REMARQUE :

Si le moteur chauffe, mais ne continue pas à fonctionner, mettre le levier de l'étrangleur sur FULL CHOKE (Étrangleur plein) et répéter les instructions de démarrage.

Schéma 10 - Soupape d'arrêt



IMPORTANT : Ne pas surcharger le générateur. Aussi, ne pas surcharger les prises individuelles du panneau. Ces prises sont protégées contre la surcharge avec des disjoncteurs de type « pousser pour réenclencher ». Si la valeur nominale d'ampérage d'un disjoncteur est dépassée, ce disjoncteur s'ouvre et la puissance électrique de cette prise est perdue. Lire attentivement la section « Ne pas surcharger le générateur ».

Schéma 11 - Interrupteur ON/OFF du moteur

**INTERRUPTEUR ON/OFF DU MOTEUR
(MOTEURS À DÉMARRAGE MANUEL UNIQUEMENT)**

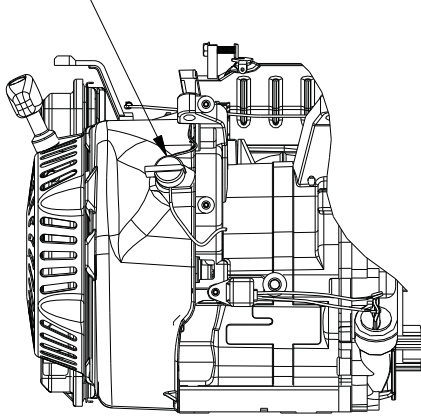
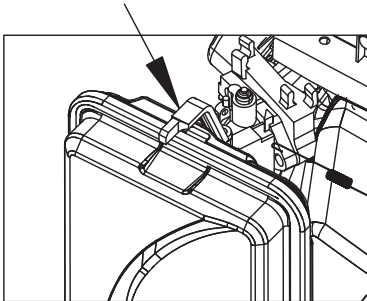


Schéma 12 - Position de l'étrangleur

**LEVIER D'ÉTRANGLEUR
GAUCHE = ÉTRANGLEUR (COMMENCER)
DROITE = MARCHÉ**



2.9 DÉMARRER LES MOTEUR À DÉMARRAGE ÉLECTRIQUE

⚠ AVERTISSEMENT !

⚠ Ne jamais démarrer ou arrêter le moteur avec les dispositifs électriques branchés dans les prises ET les dispositifs sous tension.

1. Débrancher toutes les charges électriques des prises de l'unité avant de démarrer le moteur.
2. S'assurer que l'unité est dans une position de niveau (ne pas dépasser 15 ° dans aucune direction).
3. Ouvrir la soupape d'arrêt (Schéma 10).
4. Mettre le bouton CHOKE (Étrangleur) du moteur à l'extérieur sur la position « Full Choke » (Étrangleur plein) (Schéma 12).
5. Pour démarrer le moteur, appuyer et maintenir enfoncé l'interrupteur Start/Run/Stop (Démarrage/Marche/Arrêt) sur la position « Start » (Démarrage). Le moteur tournera et commencera à démarrer. Lorsque le moteur démarre, relâcher l'interrupteur sur la position Run (Marche).

6. Lorsque le moteur démarre, mettre le bouton Choke (Étrangleur) sur la position « 1/2 Choke » (Étrangleur à moitié) jusqu'à ce que le moteur fonctionne doucement et ensuite sur la position « Run » (Marche). Si le moteur vibre, remettre le bouton Choke (Étrangleur) sur la position « 1/2 Choke » (Étrangleur à moitié) jusqu'à ce que le moteur fonctionne doucement et ensuite sur la position « Run » (Marche).

2.9.1 DÉMARRAGE MANUEL

Ce générateur est également équipé d'un lanceur à rappel manuel qui peut être utilisé en cas de déchargement de la batterie.

REMARQUE :

L'interrupteur doit être à la position RUN (Marche). Utiliser un des tableaux des prises avec le chargeur de batterie pour charger la batterie lorsque la génératrice est en fonctionnement.

- Pour démarrer manuellement, attraper fermement la poignée de rappel et tirer jusqu'à ce qu'une résistance se fasse sentir. Remonter rapidement et démarrer le moteur. Puis, suivre la même séquence de l'étrangleur.

REMARQUE :

Si le moteur chauffe, mais ne continue pas à fonctionner, mettre le levier de l'étrangleur sur FULL CHOKE (Étrangleur plein) et répéter les instructions de démarrage.

IMPORTANT : Ne pas surcharger le générateur. Aussi, ne pas surcharger les prises individuelles du panneau. Ces prises sont protégées contre la surcharge avec des disjoncteurs de type « pousser pour réenclencher ». Si la valeur nominale d'ampérage d'un disjoncteur est dépassée, ce disjoncteur s'ouvre et la puissance électrique de cette prise est perdue. Lire attentivement la section « Ne pas surcharger le générateur ».

2.10 ARRÊTER LE MOTEUR

1. Arrêter toutes les charges, puis débrancher les charges électriques des prises du panneau du générateur. Ne jamais démarrer ou arrêter le moteur avec les dispositifs électriques branchés et sous tension.
2. Laisser le moteur fonctionner à circuit ouvert pendant plusieurs minutes pour stabiliser les températures internes du moteur et du générateur.
3. Mettre l'interrupteur Run/Stop (Marche/Arrêt) sur la position OFF (Arrêt).
4. Fermer la vanne de combustible.

2.11 SYSTÈME D'ARRÊT DE NIVEAU BAS D'HUILE

Le moteur est équipé d'un détecteur de bas niveau d'huile qui arrête le moteur automatiquement lorsque le niveau d'huile chute en dessous d'un niveau spécifique. Si le moteur s'arrête tout seul et que le réservoir d'essence a assez d'essence, vérifier le niveau d'huile du moteur.

2.11.1 DÉTECTION DU BAS NIVEAU D'HUILE

Si le système détecte un niveau d'huile bas pendant le fonctionnement, le moteur s'arrête. Le moteur ne fonctionnera pas tant que de l'huile n'aura pas été rajoutée pour atteindre le bon niveau.

2.12 CHARGER LA BATTERIE (APPAREILS À DÉMARRAGE ÉLECTRIQUE SEULEMENT)

⚠ DANGER !

Les batteries rechargeables émettent un gaz hydrogène explosif lors du rechargement. Un mélange explosif restera autour de la batterie longtemps après son chargement. La plus petite étincelle peut enflammer l'hydrogène et causer une explosion. Cette explosion peut faire voler en éclats la batterie et causer la cécité ou d'autres blessures graves.

⚠ DANGER !

Ne pas produire de fumée, flammes nues, étincelles ou autre source de chaleur à proximité de la batterie. Porter des lunettes de protection, un tablier en caoutchouc et des gants en caoutchouc lors du travail autour de la batterie. Le fluide d'électrolyte de la batterie est une solution d'acide sulfurique extrêmement corrosive qui peut causer des brûlures graves. En cas d'éclaboussure, rincer immédiatement la zone à l'eau claire.

REMARQUE :

La batterie envoyée avec le générateur a été complètement chargée. Une batterie peut perdre une partie de sa charge lorsqu'elle n'est pas utilisée pendant des périodes prolongées. S'il est impossible de démarrer le moteur à l'aide de la batterie, brancher le chargeur de 12 V inclus dans la boîte d'accessoires. FAIRE FONCTIONNER LE GÉNÉRATEUR NE CHARGE PAS LA BATTERIE.

Utiliser la prise du chargeur de batterie afin de garder la batterie chargée et prête à l'emploi. Le chargement de la batterie doit être effectué dans un endroit sec.

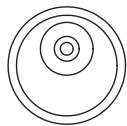
1. Brancher le chargeur dans la prise jack « Entrée du chargeur de batterie », située sur le panneau de commande. Brancher l'extrémité de la prise de courant murale du chargeur de batterie dans une prise murale c.a. de 120 volts (Schéma 13).
2. Débrancher le chargeur de batterie de la prise murale et de la prise jack du panneau de commande lorsque le générateur va être utilisé.

REMARQUE :

Ne pas utiliser le chargeur de batterie pendant plus de 48 heures consécutives.

Schéma 13 - Prise jack du chargeur de la batterie

BATTERIE



Entrée du chargeur

3.1 EFFECTUER LE PROGRAMME D'ENTRETIEN

Il est important d'effectuer l'entretien comme indiqué dans le Programme d'entretien pour le fonctionnement approprié de la génératrice, et afin d'assurer que la génératrice est conforme aux normes d'émission applicables pour la durée de sa vie utile. L'entretien et les réparations peuvent être effectués par une personne compétente ou un atelier de réparation. En outre, l'entretien critique des émissions doit être effectué comme prévu pour que la Garantie d'émissions soit valide. L'entretien critique des émissions inclut l'entretien du filtre à air et les bougies d'allumage conformément au Programme d'entretien.

3.2 PROGRAMME D'ENTRETIEN

Suivre les intervalles du calendrier. Un entretien plus fréquent est nécessaire lors du fonctionnement dans les conditions défavorables indiquées ci-dessous.

Vérifier le niveau d'huile	Lors de chaque utilisation
Changer l'huile †	* Toutes les 100 heures ou à chaque saison
Vérifier le jeu des soupapes	*** À chaque saison
Entretien du filtre à air	** Toutes les 200 heures ou à chaque saison
Remplacer la bougie d'allumage	À chaque saison

- † Changer l'huile après les 30 premières heures de fonctionnement puis à chaque saison.
- * Changer l'huile et le filtre à huile tous les mois lors du fonctionnement sous une charge lourde ou à des températures élevées.
- ** Nettoyer plus souvent dans des conditions de fonctionnement sales. Remplacer les pièces du filtre à air s'il est impossible de les nettoyer correctement.
- *** Vérifier le jeu des soupapes et régler si nécessaire après les 50 premières heures de fonctionnement et toutes les 100 heures par la suite.

3.3 SPÉCIFICATIONS DU PRODUIT

3.3.1 SPÉCIFICATIONS DE LA GÉNÉRATRICE

Puissance nominale	5,5/ 6,5/ 7,5 kW**
Puissance de surtension	6,875/ 8,125/ 9,375 kW
Tension c.a. nominale	120/240
Charge c.a. nominale.	
Courant à 240 V (5,5/ 6,5/ 7,5 kW)	22,9/ 27,1/ 31,6 A**
Courant à 120 V (5,5/ 6,5/ 7,5 kW)	45,8/ 54,2/ 62,5 A**
Fréquence nominale	60 Hz à 3 600 RPM
Phase	Monophasée

** Plage de température d'utilisation : -18 °C (0 °F) à 40 °C (104 °F). Lorsqu'utilisé à une température supérieure à 25 °C (77 °F), la puissance peut être diminuée.

** Le wattage et le courant maximum sont soumis à, et limités par, ces facteurs tels que le contenu en Btu de carburant, la température ambiante, l'altitude, l'état du moteur, etc. La puissance maximale diminue d'environ 3,5 % pour chaque tranche de 1 000 pieds au-dessus du niveau de la mer ; et diminuera également d'environ 1 % pour chaque tranche de 6 °C (10 °F) au-dessus de 16 °C (60 °F) de température ambiante.

3.3.2 SPÉCIFICATIONS DU MOTEUR

5.5/6.5kW

Déplacement.....	389 cc
Type de bougie d'allumage	NHSP LDF7TC ou Champion N9YC
N° de pièce de bougie d'allumage.....	OG84420101
Écartement de bougie d'allumage.....	0,028 - 0,031 pouces ou (0,70 - 0,80 mm)
Capacité d'essence	25,6 L (6,77 gallons U.S.)
Type d'huile.....	Voir tableau dans la section « Avant le démarrage du générateur »
Capacité d'huile.....	1 L (1,06 Qts.)
Temps d'exécution à une charge de 50 % (5,5/ 6,5 kW)	11 heures / 10 heures

7.5kW

Déplacement.....	420 cc
Type de bougie d'allumage	Champion N9YC ou NHSP LDF7TC
N° de pièce de bougie d'allumage.....	0G84420101
Écartement de bougie d'allumage.....	0,030 pouces ou (0,76 mm)
Capacité d'essence	28,4 L (7.5 gallons U.S.)
Type d'huile....	Voir tableau dans la section « Ajout de l'huile de moteur »
Capacité d'huile.....	1 L (1,06 Qts.)
Temps d'exécution (charge de 50 %)	12 heures

3.4 RECOMMANDATIONS GÉNÉRALES

La garantie du générateur ne couvre pas les éléments qui ont été soumis à un abus ou une négligence de l'opérateur. Afin de recevoir le montant total de la garantie, l'opérateur doit entretenir le générateur de la façon indiquée dans ce manuel.

Certains réglages doivent être effectués régulièrement pour entretenir correctement le générateur.

Tous les réglages de la section Maintenance de ce manuel doivent être effectués au moins une fois par saison. Respecter les exigences dans le tableau de « Programme de maintenance ».

REMARQUE :

Une fois par an, remplacer la bougie d'allumage et le filtre à air. Une nouvelle bougie d'allumage et un filtre à air propre garantissent un bon mélange carburé et aide le moteur à mieux fonctionner et à durer plus longtemps.

3.4.1 ENTRETIEN DE LA GÉNÉRATRICE

La maintenance du générateur consiste à garder l'unité propre et sèche. Faire fonctionner et stocker l'unité dans un environnement sec et propre où il ne sera pas exposé à trop de poussières, de saletés, d'humidité ou de vapeurs corrosives. Les fentes de refroidissement du générateur ne doivent pas être obstruées par la neige, les feuilles ou tout autre corps étranger.

Vérifier régulièrement que le générateur est propre et nettoyer la poussière, les saletés, l'huile, l'eau ou les autres corps étrangers qui sont visibles sur sa surface extérieure.

⚠ ATTENTION !

⚠ Ne jamais insérer d'objet ou d'outil dans les fentes de refroidissement, même si le moteur ne fonctionne pas.

REMARQUE :

NE PAS utiliser un tuyau d'arrosage pour nettoyer le générateur. L'eau peut entrer dans le système de carburant du moteur et causer des problèmes. En outre, si l'eau entre dans le générateur par les fentes de refroidissement, de l'eau restera dans les vides et les crevasses du bobinage d'isolement du rotor et du stator. L'accumulation d'eau et de saletés sur les bobinages internes du générateur diminuera potentiellement la résistance d'isolement de ces bobinages.

3.4.2 NETTOYER LA GÉNÉRATRICE

- Utiliser un chiffon humide pour le nettoyage des surfaces externes.
- Il est possible d'utiliser une brosse douce en poils pour décoller les agglutinations de saletés, d'huile, etc.
- Un aspirateur pourra être utilisé pour récupérer les saletés et les débris.
- Un air projeté avec une faible pression (inférieur à 25 livres par pouce carré) pourra être utilisé pour souffler la saleté. Inspecter les fentes de refroidissement et les orifices du générateur. Ces orifices doivent être propres et non obstrués.

3.4.3 ENTRETIEN DU MOTEUR**⚠ DANGER !**

⚠ Toujours débrancher le câble négatif de la batterie en cas de travail sur le générateur. Toujours débrancher les fils de bougie des bougies d'allumage et les tenir éloignés de celles-ci.

3.4.4 VÉRIFIER LE NIVEAU D'HUILE

Se reporter à la section « Avant le démarrage du générateur » pour plus d'informations sur la vérification du niveau d'huile. Le niveau d'huile doit être vérifié avant chaque utilisation, ou au minimum toutes les huit heures de fonctionnement. Il est nécessaire de conserver un certain niveau d'huile.

3.4.5 CHANGEMENT DE L'HUILE

Changer l'huile après les 30 premières heures de fonctionnement. Changer l'huile toutes les 100 heures ou à chaque saison par la suite. Changer l'huile plus souvent en cas d'utilisation de cette unité dans un environnement sale ou poussiéreux, ou dans des températures très élevées.

⚠ ATTENTION !

⚠ De l'huile chaude peut entraîner des brûlures. Laisser le moteur refroidir avant de vidanger l'huile. Éviter un contact prolongé ou répété de la peau avec de l'huile usagée. Laver minutieusement les zones exposées avec du savon.

Respecter les instructions suivantes pour changer l'huile après que le moteur ait refroidi :

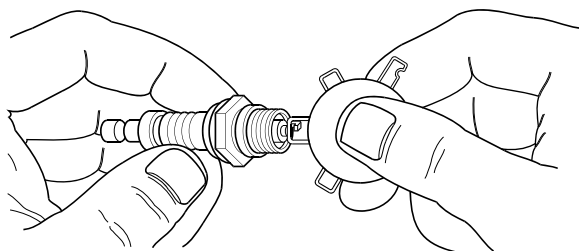
1. Nettoyer la zone autour du tuyau de vidange d'huile.
2. Retirer le bouchon de vidange d'huile du moteur et le bouchon pour le remplissage d'huile afin de vidanger toute l'huile dans un récipient adapté.
3. Lorsque l'huile est totalement vidangée, revisser le bouchon de vidange d'huile et le resserrer solidement.
4. Remplir le carter d'huile avec l'huile recommandée (voir la section « Avant le démarrage du générateur » pour les recommandations sur l'huile à utiliser).
5. Nettoyer toute trace d'huile renversée.
6. Éliminer l'huile usagée dans un centre de collecte approprié.

3.4.6 REMPLACER LA BOUGIE D'ALLUMAGE

Voir Caractéristiques techniques du moteur pour la bougie d'allumage recommandée. **Remplacer les bougies une fois par an.** Cela permettra un démarrage plus facile et un meilleur fonctionnement du moteur.

1. Arrêter le moteur et débrancher le fil de bougie de la bougie d'allumage.
2. Nettoyer la zone autour de la bougie d'allumage et la retirer de la culasse.
3. Régler l'écartement de bougie d'allumage à 0,70 - 0,80 mm (0,028 - 0,031 po.). Installer la bougie d'allumage correctement écartée dans la culasse (Schéma 14).

Schéma 14 - Écartement de la bougie d'allumage



1. Retirer le couvercle du filtre à air.
2. Le laver à l'eau savonneuse. Sécher le filtre dans un linge propre (NE PAS LE TORDRE).
3. Nettoyer le couvercle du filtre à air avant de le réinstaller.

REMARQUE :

Pour commander un nouveau filtre à air, veuillez communiquer avec le centre de service autorisé le plus proche en composant le 1-888-436-3722.

3.4.7 REMPLACEMENT DE LA BATTERIE (SI APPLICABLE)

REMARQUE :

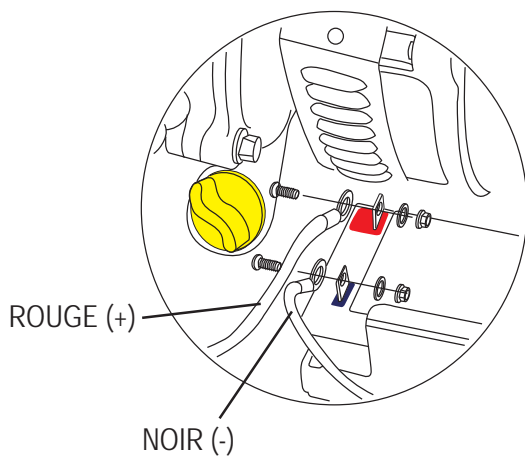
La batterie envoyée avec le générateur a été complètement chargée. Une batterie peut perdre une partie de sa charge lorsqu'elle n'est pas utilisée pendant des périodes prolongées. S'il est impossible de démarrer le moteur à l'aide de la batterie, brancher le chargeur de 12 V inclus dans la boîte d'accessoires (voir la section « Chargement de la batterie »). FAIRE FONCTIONNER LE GÉNÉRATEUR NE CHARGE PAS LA BATTERIE. Le numéro de pièce pour cette batterie est OG9449.

⚠ ATTENTION !

⚠ La borne NÉGATIVE de la batterie doit :

1. Toujours être DÉBRANCHÉE EN PREMIER.
2. Toujours être BRANCHÉE EN DERNIER.

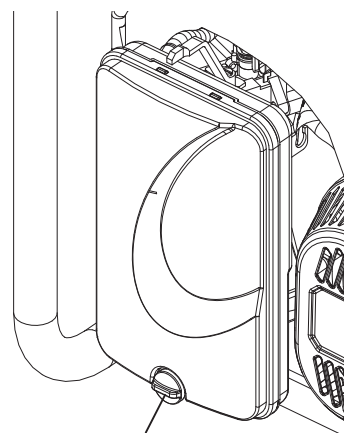
Schéma 15 - Branchements de la batterie



3.5 ENTRETIEN DU FILTRE À AIR

Le moteur ne fonctionnera pas correctement et risque d'être endommagé si le filtre à air est encrassé. Nettoyer le filtre toutes les 50 heures d'utilisation ou une fois par an (Figure 16). Le nettoyer ou remplacer plus souvent si l'appareil fonctionne dans un environnement poussiéreux. Numéro de pièce du filtre à air : OG84420151.

Schéma 16 - Filtre à air



POMMEAU POUR OUVRIR AIR BOX

3.5.1 ENTRETIEN DE L'ÉCRAN PARE-ÉTINCELLES (MODÈLES CARB)

Le silencieux du pot d'échappement du moteur est équipé d'un écran pare-étincelles. Inspecter et nettoyer l'écran au minimum une fois par an (Schéma 17). Si l'unité fonctionne régulièrement, inspecter et nettoyer l'écran plus souvent.

⚠ DANGER!

⚠ Si le générateur est utilisé sur un terrain brut couvert d'arbres, de buissons ou d'herbe, il devra être équipé d'un pare-étincelles. Le propriétaire / l'opérateur du générateur devra garder le pare-étincelles en bon état.

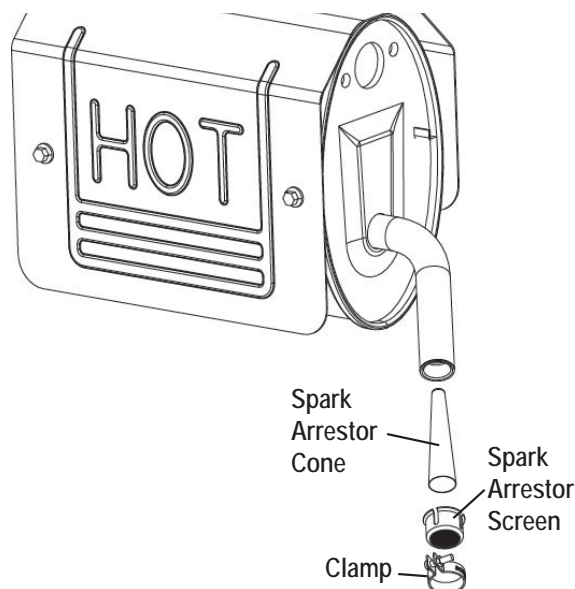
Nettoyer et inspecter le pare-étincelles lorsque le moteur est à température ambiante de la manière suivante :

1. Enlever l'écran pare-étincelles du pot d'échappement en desserrant la bride et en enlevant la vis.
2. Inspecter l'écran et le remplacer s'il est tordu, perforé ou endommagé d'une quelconque autre façon. NE PAS UTILISER un écran défectueux. Si l'écran n'est pas endommagé, le nettoyer avec un solvant du commerce.
3. Remplacer le pare-étincelles et serrer avec la bride et la vis.

REMARQUE :

Pour commander un nouveau filtre à air ou écran pare-étincelles, veuillez contacter le centre de service autorisé le plus près au 1-800-333-1322.

Figure 17 – Écran pare-étincelles



3.6 JEU DES SOUPAPES

- Admission — $0,15 \pm 0,02$ mm (froid), ($0,006 \pm 0,0008$ pouces)
- Échappement — $0,20 \pm 0,02$ mm (froid), ($0,008 \pm 0,0008$ pouces)

Vérifier le jeu des soupapes dans le moteur après les 50 premières heures de fonctionnement et l'ajuster si cela est nécessaire.

IMPORTANT : En cas de doute quant à la réalisation de cette procédure, ou d'absence des outils adaptés, merci de faire régler le jeu des soupapes du générateur dans le centre de réparation le plus proche. Il s'agit d'une étape très importante pour garantir la meilleure durée de vie du moteur.

3.7 GÉNÉRALITÉS

La génératrice doit être démarrée au moins une fois par mois et doit fonctionner pendant au moins 30 minutes. Si cela est impossible et que l'unité n'est pas utilisée pendant plus de 30 jours, utiliser les informations suivantes en tant que guide pour préparer son entreposage.

⚠ DANGER !

NE JAMAIS ranger le moteur avec un réservoir rempli d'essence à l'intérieur ou dans des zones fermées et faiblement aérées où des fumées peuvent atteindre une flamme nue, des étincelles ou une veilleuse telle qu'il y en a sur une chaudière, un chauffe-eau, un sèche-linge ou d'autres appareils fonctionnant au gaz.

⚠ Laisser l'unité complètement refroidir avant le stockage.

3.8 ENTREPOSAGE À LONG TERME

Pendant le stockage, il est important d'empêcher la formation de dépôts de gomme dans les pièces essentielles du circuit de carburant, telles que le carburateur, le tuyau pour combustible ou le réservoir. L'expérience montre également que les carburants à base d'alcool (appelés gazohol, éthanol ou méthanol) peuvent absorber l'humidité, ce qui entraîne une séparation et la formation d'acides pendant le stockage. Un gaz acide peut endommager le circuit de carburant d'un moteur pendant le stockage de celui-ci.

Afin d'éviter tout problème avec le moteur, le circuit de carburant doit être vidé avant le stockage du moteur si celui-ci est d'au moins 30 jours. Pour cela :

1. Ajouter un stabilisateur de carburant de qualité à l'essence selon les spécifications des fabricants, et faire fonctionner la machine de 10 à 15 minutes.
2. Après que le moteur est refroidi, enlever toute le carburant du réservoir de carburant. Utilisez une commercialement disponibles, siphonage non-conducteur.

⚠ DANGER !

⚠ Vider l'essence dans des conteneurs adaptés situés à l'extérieur, loin de toute flamme nue. S'assurer que le moteur est froid. Ne pas fumer.

3. Démarrer et faire fonctionner le moteur jusqu'à ce qu'il s'arrête suite à une panne d'essence.
4. Après le refroidissement du moteur, vider l'huile du moteur. Remplir jusqu'au niveau recommandé.
5. Retirer la bougie d'allumage et verser environ 0,5 onces (15 ml) d'huile pour moteur dans le cylindre. Couvrir l'orifice de la bougie d'allumage avec un chiffon. Tirer plusieurs fois le lanceur à rappel pour lubrifier les segments de piston et l'alésage du cylindre. Un agent de fumigation peut également être utilisé à la place de l'huile.

⚠ ATTENTION !

⚠ Éviter d'asperger à partir des trous de la bougie d'allumage lorsque le moteur tourne.

6. Remettre et serrer la bougie d'allumage. Ne pas brancher le fil de bougie.
7. Nettoyer les surfaces externes du générateur. Vérifier que les fentes de refroidissement et les orifices du générateur sont ouverts et non obstrués.
8. Stocker l'unité dans un endroit propre et sec.

3.9 AUTRES CONSEILS D'ENTREPOSAGE

- Ne pas stocker l'essence d'une saison sur l'autre.
- Remplacer le bidon d'essence s'il commence à rouiller. De la rouille et / ou de la saleté dans l'essence entraîneront des problèmes dans le carburateur et le circuit de carburant.
- Si cela est possible, stocker l'unité à l'intérieur et la recouvrir afin de la protéger de la saleté et de la poussière. **S'ASSURER DE VIDER LE RÉSERVOIR D'ESSENCE.**
- S'il n'est pas possible de vider le réservoir d'essence et que l'unité est rangée pendant une longue période, ajouter un stabilisateur d'essence (disponible dans le commerce) à l'essence afin d'augmenter la durée de vie de l'essence. Faire fonctionner la machine pour 10 - 15 minutes, éteindre la vanne de combustible et faire fonctionner jusqu'à ce que le moteur s'arrête suite à une panne d'essence.
- Couvrir l'unité avec une protection adaptée ne retenant pas l'humidité.

⚠ DANGER !

⚠ NE JAMAIS couvrir le générateur alors que le moteur et la zone du pot d'échappement sont chauds.

4.1 GUIDE DE DÉPANNAGE

PROBLÈME	CAUSE	SOLUTION
Le moteur tourne, mais aucun courant alternatif n'est produit.	<ol style="list-style-type: none"> 1. Disjoncteur est ouvert. 2. Cordon mal branché ou défectueux. 3. Dispositif branché défectueux. 4. Erreur au niveau du générateur. 	<ol style="list-style-type: none"> 1. Réarmer le disjoncteur. 2. Vérifier et réparer. 3. Brancher un autre dispositif en bon état. 4. Contacter un centre d'entretien agréé.
Le moteur fonctionne bien mais connaît des défaillances lorsque des charges sont branchées.	<ol style="list-style-type: none"> 1. Court-circuit dans l'une des charges branchées. 2. Surcharge du générateur. 3. Vitesse du moteur trop faible. 4. Court-circuit du générateur. 	<ol style="list-style-type: none"> 1. Débrancher la charge électrique court-circuitée. 2. Voir la section « Ne pas surcharger le générateur ». 3. Contacter un centre d'entretien agréé. 4. Contacter un centre d'entretien agréé.
Le moteur ne démarre pas, ou démarre et connaît des défaillances.	<ol style="list-style-type: none"> 1. La soupape d'arrêt est sur OFF (Arrêt). 2. Filtre à air sale. 3. Panne d'essence. 4. Essence viciée. 5. Fil de bougie débranché de la bougie d'allumage. 6. Bougie d'allumage défectueuse. 7. Présence d'eau dans l'essence. 8. Sur-étranglement des gaz. 9. Niveau d'huile faible. 10. Mélange d'essence trop riche. 11. Soupape d'admission bloquée en position ouverte ou fermée. 12. Perte de compression du moteur. 	<ol style="list-style-type: none"> 1. Mettre la soupape d'arrêt sur ON (Marche). 2. Nettoyer ou remplacer le filtre à air. 3. Remplir le réservoir d'essence. 4. Vidanger le réservoir d'essence et le remplir avec de l'essence nouvelle. 5. Brancher le fil à la bougie d'allumage. 6. Remplacer la bougie d'allumage. 7. Vidanger le réservoir d'essence et le remplir avec de l'essence nouvelle. 8. Placer le levier d'étrangleur sur la position No Choke (Aucun étrangleur). 9. Remplir le carter jusqu'au niveau nécessaire. 10. Contacter un centre d'entretien agréé. 11. Contacter un centre d'entretien agréé. 12. Contacter un centre d'entretien agréé.
Le moteur s'arrête pendant le fonctionnement.	<ol style="list-style-type: none"> 1. Panne d'essence. 2. Niveau d'huile faible. 3. Erreur au niveau du moteur. 	<ol style="list-style-type: none"> 1. Remplir le réservoir d'essence. 2. Remplir le carter jusqu'au niveau nécessaire. 3. Contacter un centre d'entretien agréé.
Moteur pas assez puissant.	<ol style="list-style-type: none"> 1. Charge trop élevée. 2. Filtre à air sale. 3. Réparation nécessaire du moteur. 	<ol style="list-style-type: none"> 1. Diminuer la charge (voir la section « Ne pas surcharger le générateur »). 2. Nettoyer ou remplacer le filtre à air. 3. Contacter un centre d'entretien agréé.
À-coups ou déclin du moteur.	<ol style="list-style-type: none"> 1. Étrangleur ouvert trop tôt. 2. Mélange trop riche ou trop pauvre dans le carburateur. 	<ol style="list-style-type: none"> 1. Placer le levier d'étrangleur à mi-chemin jusqu'à ce que le moteur fonctionne correctement. 2. Contacter un centre d'entretien agréé.

Warranty

EMISSION WARRANTY FOR EPA CERTIFIED EQUIPMENT

U.S. EPA EMISSION CONTROL WARRANTY STATEMENT YOUR WARRANTY RIGHTS AND OBLIGATIONS

The United States Environmental Protection Agency (EPA) and Generac Power Systems, Inc. (Generac) are pleased to explain the Emission Control System Warranty (ECS Warranty) on your new 2011 and later equipment. New equipment that use small spark-ignited engines must be designed, built, and equipped to meet stringent anti-smog standards for the federal government. Generac will warrant the emission control system on your equipment for the period of time listed below provided there has been no abuse, neglect, unapproved modification or improper maintenance of your equipment. The emission control system on this equipment includes all components whose failure would increase the emissions of any regulated pollutant. These components are listed in the Emissions Information section of this manual.

MANUFACTURER'S WARRANTY COVERAGE:

This ECS Warranty is valid for two years, or for the same period as specified in the Generac Limited Warranty, whichever is longer. For equipment with hour meters, the warranty period is a number of hours equal to half the Useful Life to which the equipment is certified, or the warranty period specified above in years, whichever is less. The Useful Life can be found on the Emission Control Label on the engine. If, during such warranty period, any emission-related part on your equipment is found to be defective in materials or workmanship, repairs or replacement will be performed by a Generac Authorized Warranty Service Dealer.

OWNER'S WARRANTY RESPONSIBILITIES:

As the equipment owner, you are responsible for the completion of all required maintenance as listed in your factory supplied Owner's Manual. For warranty purposes, Generac recommends that you retain all receipts covering maintenance on your generator, but Generac cannot deny warranty solely due to the lack of receipts.

You should be aware that Generac may deny any and/or all warranty coverage or responsibility if your equipment, or a part/component thereof, has failed due to abuse, neglect, improper maintenance, or unapproved modifications.

You are responsible for contacting a Generac Authorized Warranty Dealer as soon as a problem occurs. The warranty repairs should be completed in a reasonable amount of time, not to exceed 30 days.

Warranty service can be arranged by contacting either your selling dealer or a Generac Authorized Warranty Service Dealer. To locate the Generac Authorized Warranty Service Dealer nearest you, call our toll free number below, or email emissions@generac.com.

1-800-333-1322

IMPORTANT NOTE: This warranty statement explains your rights and obligations under the Emission Control System Warranty, which is provided to you by Generac pursuant to federal law. See also the "Generac Limited Warranties for Generac Power Systems, Inc.," which is enclosed herewith on a separate sheet, also provided to you by Generac. Note that this warranty shall not apply to any incidental, consequential or indirect damages caused by defects in materials or workmanship or any delay in repair or replacement of the defective part(s). This warranty is in place of all other warranties, expressed or implied. Specifically, Generac makes no other warranties as to the merchantability or fitness for a particular purpose. Any implied warranties which are allowed by law, shall be limited in duration to the terms of the express warranty provided herein. Some states do not allow limitations on how long an implied warranty lasts, so the above limitation may not apply to you.

The ECS Warranty applies only to the emission control system of your new equipment. Both the ECS Warranty and the Generac Warranty describe important rights and obligations with respect to your new engine.

Warranty service can be performed only by a Generac Authorized Warranty Service Facility. When requesting warranty service, evidence must be presented showing the date of the sale to the original purchaser/owner.

If you have any questions regarding your warranty rights and responsibilities, you should contact Generac at the following address:

**ATTENTION WARRANTY DEPARTMENT
GENERAC POWER SYSTEMS, INC.
P.O. BOX 297 • WHITEWATER, WI 53190**

Part 1 of 2

Part No. 0J3335A Rev. B 08/12

Warranty

EMISSION WARRANTY FOR EPA CERTIFIED EQUIPMENT

EMISSION CONTROL SYSTEM WARRANTY

Emission Control System Warranty (ECS Warranty) for equipment using small spark-ignited engines:

- (a) Applicability: This warranty shall apply to equipment that uses small off-road engines. The ECS Warranty period shall begin on the date the new equipment is purchased by/delivered to its original, end-use purchaser/owner and shall continue for the lesser of:
- (1) The period of time specified in the Generac Limited Warranty enclosed herewith, but not less than 24 months, or
 - (2) For engines equipped with hour meters, a number of operating hours equal to half of the engine's useful life. The useful life is specified on the Emissions Control Label on the engine.
- (b) General Emissions Warranty Coverage: Generac warrants to the original, end-use purchaser/owner of the new engine or equipment and to each subsequent purchaser/owner that the ECS when installed was:
- (1) Designed, built and equipped so as to conform with all applicable regulations; and
 - (2) Free from defects in materials and workmanship which cause the failure of a warranted part at any time during the ECS Warranty Period.
- (c) The warranty on emissions-related parts will be interpreted as follows:
- (1) Any warranted part that is not scheduled for replacement as required maintenance in the Owner's Manual shall be warranted for the ECS Warranty Period. If any such part fails during the ECS Warranty Period, it shall be repaired or replaced by Generac according to Subsection (4) below. Any such part repaired or replaced under the ECS Warranty shall be warranted for the remainder of the ECS Warranty Period.
 - (2) Any warranted part that is scheduled only for regular inspection as specified in the Owner's Manual shall be warranted for the ECS Warranty Period. A statement in the Owner's Manual to the effect of "repair or replace as necessary" shall not reduce the ECS Warranty Period. Any such part repaired or replaced under the ECS Warranty shall be warranted for the remainder of the ECS Warranty Period.
 - (3) Any warranted part that is scheduled for replacement as required maintenance in the Owner's Manual shall be warranted for the period of time prior to first scheduled replacement point for that part. If the part fails prior to the first scheduled replacement, the part shall be repaired or replaced by Generac according to Subsection (4) below. Any such emissions-related part repaired or replaced under the ECS warranty shall be warranted for the remainder of the period prior to the first scheduled replacement point for that part.
 - (4) Repair or replacement of any warranted, emissions-related part under this ECS Warranty shall be performed at no charge to the owner at a Generac Authorized Warranty Service Facility.
 - (5) Notwithstanding the provisions of subsection (4) above, warranty services or repairs must be provided at Generac Authorized Service Facilities.
 - (6) When the engine is inspected by a Generac Authorized Warranty Service Facility, the purchaser/owner shall not be held responsible for diagnostic costs if the repair is deemed warrantable.
 - (7) Throughout the ECS Warranty Period, Generac shall maintain a supply of warranted emission-related parts sufficient to meet the expected demand for such parts.
 - (8) Any Generac authorized and approved emission-related replacement parts may be used in the performance of any ECS Warranty maintenance or repairs and will be provided without charge to the purchaser/owner. Such use shall not reduce Generac's ECS Warranty obligations.
 - (9) No modifications, other than those explicitly approved by Generac, may be made to the generator. Unapproved modifications void this ECS Warranty and shall be sufficient ground for disallowing an ECS Warranty claim.
 - (10) Generac shall not be held liable hereunder for failures of any non-authorized replacement parts, or failures of any authorized parts caused by the use of non-authorized replacement parts.

EMISSION RELATED PARTS MAY INCLUDE THE FOLLOWING (IF EQUIPPED):

- | | |
|----------------------------------|--------------------------|
| 1) FUEL METERING SYSTEM | 3) IGNITION SYSTEM |
| A. CARBURETOR AND INTERNAL PARTS | A. SPARK PLUGS |
| B. FUEL TANK/CAP | B. IGNITION COILS/MODULE |
| C. FUEL LINES | 4) AIR INJECTION SYSTEM |
| D. EVAPORATIVE VENT LINES | A. PULSE AIR VALVE |
| E. REGULATOR (GASEOUS FUELS) | 5) EXHAUST SYSTEM |
| 2) AIR INDUCTION SYSTEM | A. CATALYST |
| A. INTAKE MANIFOLD | B. EXHAUST MANIFOLD |
| B. AIR FILTER | |

Garantía

GARANTÍA DE EMISIONES PARA EQUIPOS CERTIFICADOS POR LA EPA

DECLARACIÓN DE GARANTÍA DEL CONTROL DE EMISIONES DE LA EPA DE LOS EE. UU. SUS DERECHOS Y OBLIGACIONES CONFORME A LA GARANTÍA

La Agencia de Protección Ambiental de los EE. UU. (EPA) y Generac Power Systems, Inc. (Generac) se complacen en explicar la Garantía del sistema de control de emisiones (Garantía del ECS) para su equipo 2011 nuevo y equipos posteriores. Los equipos nuevos que usan motores de encendido por chispa pequeños deben ser diseñados, contruidos y equipados para cumplir con estrictas normas contra la contaminación del gobierno federal. Generac garantizará el sistema de control de emisiones de su equipo durante el período indicado a continuación siempre que no haya existido abuso, negligencia, modificación no aprobada o mantenimiento inapropiado de su equipo. El sistema de control de emisiones de este equipo incluye todos los componentes cuyo fallo aumentaría las emisiones de cualquier contaminante regulado. Estos componentes están listados en la sección de Información sobre emisiones de este manual.

COBERTURA DE GARANTÍA DEL FABRICANTE:

La Garantía del ECS es válida durante dos años, o durante el mismo período especificado en la Garantía limitada de Generac, el que sea más prolongado. Para los equipos con horómetros, el período de la garantía es un número de horas equivalente a la mitad de la vida útil para la que el equipo está certificado, o el período de garantía especificado anteriormente en años, el que sea menor. La vida útil se encuentra indicada en la Etiqueta de control de emisiones fijada en el motor. Si, durante dicho período de garantía, se determina que cualquier pieza relacionada con las emisiones de su equipo tiene defectos de materiales o mano de obra, un Concesionario de servicio de garantía autorizado de Generac realizará las reparaciones o la sustitución.

RESPONSABILIDADES DEL PROPIETARIO CONFORME A LA GARANTÍA:

Como propietario del equipo, usted es responsable de completar todas las tareas de mantenimiento requerido indicadas en el Manual del propietario provisto por la fábrica. A los fines de la garantía, Generac recomienda que usted guarde todos los recibos que cubren el mantenimiento de su generador, pero Generac no podrá denegar la garantía exclusivamente debido a la falta de recibos.

Usted debe saber que Generac puede rechazar cualquiera o toda la cobertura o responsabilidad conforme a la garantía si su equipo, o una pieza/componente de este, ha fallado debido a abuso, negligencia, mantenimiento inapropiado o modificaciones no aprobadas.

Usted es responsable de ponerse en contacto con un Concesionario de garantía autorizado de Generac tan pronto como se produzca un problema. Las reparaciones de garantía se deben completar dentro de un plazo razonable, que no deberá exceder los 30 días.

Puede realizar los arreglos para el servicio de garantía poniéndose en contacto ya sea con el concesionario que hizo la venta o con un Concesionario de servicio de garantía autorizado de Generac. Para ubicar el Concesionario de servicio de garantía autorizado de Generac más cercano, llame al número de llamadas sin cargo que se indica a continuación, o envíe un mensaje de correo electrónico a emissions@generac.com.

1-800-333-1322

NOTA IMPORTANTE: Esta declaración de garantía explica sus derechos y obligaciones conforme a la Garantía del sistema de control de emisiones, que Generac le proporciona a usted conforme a la ley federal. Vea también las "Garantías limitadas de Generac para Generac Power Systems, Inc." que se adjuntan a la presente en una hoja por separado, también proporcionadas por Generac. Tome nota de que esta garantía no se aplicará a ningún daño accesorio, emergente o indirecto causado por defectos en los materiales o mano de obra o toda demora en la reparación o sustitución de la(s) pieza(s) defectuosa(s). Esta garantía sustituye cualquier otra garantía, expresa o implícita. Específicamente, Generac no extiende ninguna otra garantía acerca de la comercialización o aptitud para un propósito en particular. La duración de todas las garantías implícitas permitidas por la ley, estará limitada a las condiciones de la garantía expresa estipulada en la presente. Algunos estados no permiten limitaciones de la duración de una garantía implícita; por lo tanto, la limitación precedente puede no aplicarse a usted.

La Garantía del ECS se aplica solamente al sistema de control de emisiones de su equipo nuevo. Tanto la Garantía del ECS como la Garantía de Generac describen derechos y obligaciones importantes respecto a su motor nuevo.

El servicio de garantía puede ser efectuado solamente por un Taller de servicio de garantía autorizado de Generac. Cuando solicite servicio de garantía, debe presentar pruebas que indiquen la fecha de la venta al comprador/propietario original.

Si desea formular alguna pregunta respecto de sus derechos y responsabilidades conforme a la garantía, debe ponerse en contacto con Generac en la siguiente dirección:

**ATTENTION WARRANTY DEPARTMENT
GENERAC POWER SYSTEMS, INC.
P.O. BOX 297 • WHITEWATER, WI 53190**

GARANTÍA DE EMISIONES PARA EQUIPOS CERTIFICADOS POR LA EPA

GARANTÍA DEL SISTEMA DE CONTROL DE EMISIONES

Garantía del sistema de control de emisiones (Garantía del ECS, por sus siglas en inglés) para equipos que usan motores de encendido por chispa pequeños:

- (a) Aplicabilidad: Esta garantía se aplicará a los equipos que usan motores para uso fuera de carreteras pequeños. El período de la Garantía del ECS comenzará en la fecha de compra/entrega a su comprador/propietario original y usuario final y continuará hasta que transcurra lo primero de lo siguiente:
- (1) El período especificado en la Garantía limitada de Generac adjunta, pero no menos de 24 meses, o
 - (2) Para los motores equipados con horómetros, un número de horas de funcionamiento equivalente a la mitad de la vida útil del motor. La vida útil se especifica en la Etiqueta de control de emisiones fijada en el motor.
- (b) Cobertura general de la garantía de emisiones: Generac garantiza al comprador/propietario original y usuario final del motor o equipo nuevo y a cada comprador/propietario subsiguiente que el ECS, en el momento de la instalación, estaba:
- (1) Diseñado, construido y equipado de manera de cumplir todos los reglamentos aplicables; y
 - (2) Libre de defectos de materiales y mano de obra que causan fallos de una pieza garantizada en cualquier momento durante el período de vigencia de la Garantía del ECS.
- (c) La garantía de las piezas relacionadas con las emisiones se interpretará como sigue:
- (1) Toda pieza garantizada que no tenga una sustitución programada como mantenimiento requerido en el Manual del propietario estará garantizada durante el período de vigencia de la Garantía del ECS. Cualquiera de dichas piezas que falle durante el período de vigencia de la Garantía del ECS será reparada o sustituida por Generac conforme a la Subsección (4) a continuación. Cualquiera de dichas piezas reparadas o sustituidas conforme a la Garantía del ECS estarán garantizadas durante el plazo restante del período de vigencia de la Garantía del ECS.
 - (2) Toda pieza garantizada que tenga programada solamente una inspección regular como se especifica en el Manual del propietario estará garantizada durante el período de vigencia de la Garantía del ECS. Una afirmación del Manual del propietario que indique "reparar o sustituir según sea necesario" no reducirá el período de vigencia de la Garantía del ECS. Cualquiera de dichas piezas reparadas o sustituidas conforme a la Garantía del ECS estarán garantizadas durante el plazo restante del período de vigencia de la Garantía del ECS.
 - (3) Toda pieza garantizada que no tenga una sustitución programada como mantenimiento requerido en el Manual del propietario estará garantizada durante el período anterior al primer punto de sustitución programada para dicha pieza. Si la pieza falla antes de la primera sustitución programada, la pieza será reparada o sustituida por Generac conforme a la Subsección (4) a continuación. Todas las piezas relacionadas con las emisiones reparadas o sustituidas conforme a la garantía del ECS estarán garantizadas durante el resto del período anterior al primer punto de sustitución programada para dicha pieza.
 - (4) La reparación o sustitución de cualquier pieza relacionada con las emisiones garantizada conforme a esta Garantía del ECS será efectuada sin cargo para el propietario en un Taller de servicio de garantía autorizado de Generac.
 - (5) Independientemente de las disposiciones de la subsección (4) anterior, los servicios o reparaciones de garantía deberán ser proporcionados en Talleres de servicio autorizados de Generac.
 - (6) Cuando el motor sea inspeccionado por un Taller de servicio de garantía autorizado de Generac, el comprador/propietario no será responsable de los costos de diagnóstico si la reparación se considera cubierta por la garantía.
 - (7) Durante todo el período de vigencia de la Garantía del ECS, Generac mantendrá existencias de piezas relacionadas con las emisiones garantizadas suficientes para satisfacer la demanda esperada de tales piezas.
 - (8) Todas las piezas de repuesto relacionadas con las emisiones autorizadas y aprobadas por Generac se podrán utilizar para efectuar mantenimiento o reparaciones cubiertas por la Garantía del ECS y se proporcionarán sin cargo para el comprador/propietario. Dicho uso no reducirá las obligaciones de Generac respecto de la Garantía del ECS.
 - (9) No se podrán hacer modificaciones al generador diferentes de aquellas aprobadas explícitamente por Generac. Las modificaciones no aprobadas anulan esta Garantía del ECS y serán motivo suficiente para rechazar un reclamo de Garantía del ECS.
 - (10) Generac no será responsable conforme a la presente por fallos de cualesquiera piezas de repuesto no autorizadas, o los fallos de cualesquiera piezas autorizadas causados por el uso de piezas de repuesto no autorizadas.

LAS PIEZAS RELACIONADAS CON LAS EMISIONES PUEDEN INCLUIR LAS SIGUIENTES (DE TENERLAS):

- | | |
|---|---------------------------------|
| 1) SISTEMA DE MEDICIÓN DE COMBUSTIBLE | 3) SISTEMA DE ENCENDIDO |
| A. CARBURADOR Y PIEZAS INTERNAS | A. BUJÍAS |
| B. TANQUE/TAPA DE COMBUSTIBLE | B. BOBINAS/MÓDULO DE ENCENDIDO |
| C. TUBERÍAS DE COMBUSTIBLE | 4) SISTEMA DE INYECCIÓN DE AIRE |
| D. TUBERÍAS DE VENTILACIÓN DE EVAPORACIÓN | A. VÁLVULA DE AIRE POR IMPULSOS |
| E. REGULADOR (COMBUSTIBLES GASEOSOS) | 5) SISTEMA DE ESCAPE |
| 2) SISTEMA DE INDUCCIÓN DE AIRE | A. CATALIZADOR |
| A. COLECTOR DE ADMISIÓN | B. COLECTOR DE ESCAPE |
| B. FILTRO DE AIRE | |

GARANTIE D'ÉMISSIONS POUR L'ÉQUIPEMENT CERTIFIÉ EPA

ÉNONCÉ DE LA GARANTIE EPA AMÉRICAINE DU CONTRÔLE DES ÉMISSIONS VOS DROITS ET OBLIGATIONS DE GARANTIE

L'Agence pour la Protection de l'Environnement américaine (ci-après dénommée EPA) et la société Generac Power Systems, Inc. (ci-après dénommée Generac) sont heureux de vous expliquer ce qu'est la garantie de votre nouvel équipement 2011 et ultérieur. Le nouvel équipement utilise des petits moteurs à allumage commandé doivent être conçus, construits et équipés dans le respect des normes nationales rigoureuses en matière de pollution pour le gouvernement fédéral. Generac garantira le système de contrôle des émissions de votre appareil pour les périodes indiquées ci-après, en l'absence d'acte abusif, de négligence, de modification non approuvée ou de maintenance inadaptée de votre équipement. Le système de contrôle des émissions sur cet appareil comprend tous les composants dont la défaillance pourrait augmenter les émissions des polluants réglementés. Ces composants sont listés dans la section Informations sur les émissions de ce manuel.

COUVERTURE DE GARANTIE DU FABRICANT :

Cette garantie appareils SCE est valide pour deux ans, ou pour la même période comme indiqué dans la garantie limitée de Generac, selon la plus longue. Pour les appareils avec un compteur horaire, la période de la garantie est un nombre d'heures égal à la moitié de la durée de vie utile certifiée de l'appareil, ou la période de garantie spécifiée ci-dessus en années, selon la possibilité inférieure. La durée de vie utile peut être trouvée sur l'étiquette de contrôle des émissions sur le moteur. Si un composant ou système de votre équipement relatif aux émissions comporte une pièce défectueuse ou présente un défaut de fabrication pendant la durée de la garantie, les réparations ou remplacements de pièces seront effectués par un dépositaire d'entretien de garantie agréé par Generac.

RESPONSABILITÉS DE GARANTIE DU PROPRIÉTAIRE :

En tant que propriétaire de l'appareil, vous êtes responsable de la réalisation de toute la maintenance nécessaire telle que listée dans le manuel d'entretien qui vous a été remis par l'usine. Aux fins de la garantie, Generac vous recommande de conserver tous les reçus relatifs à la maintenance effectuée sur votre génératrice, mais Generac ne peut pas refuser la garantie uniquement en raison de la non-présentation des reçus.

Vous devez cependant savoir que Generac pourra refuser tout et / ou partie de la couverture de la garantie ou de la responsabilité si votre appareil et / ou toute pièce de celle-ci ne fonctionne plus du fait d'un usage abusif, d'une négligence, d'une mauvaise maintenance ou de modifications non approuvées.

Vous êtes chargé de contacter un dépositaire de garantie agréé par Generac dès qu'un problème se présente. Les réparations effectuées dans le cadre de la garantie devront être faites dans une période raisonnable, inférieure à 30 jours.

Le service de garantie peut être organisé en contactant votre dépositaire ou un dépositaire de service de garantie agréé par Generac. Pour connaître le dépositaire de service de garantie agréé par Generac situé le plus près, appeler notre numéro ci-dessous, ou envoyer un courrier à emissions@generac.com.

1-800-333-1322

REMARQUE IMPORTANTE : Cet énoncé de garantie explique vos droits et obligations dans le cadre de la garantie du Système de Contrôle des Émissions qui vous est fournie par Generac conformément au droit de l'État fédéral. Consulter également les « Garanties limitées de Generac pour Generac Power Systems, Inc. » jointes au présent document sur un feuillet séparé, qui vous est également remis par Generac. Veuillez noter que la présente garantie ne s'applique pas aux dommages accessoires, importants ou indirects causés par des défaillances matérielles ou de fabrication, ou par tout retard de réparation ou de remplacement de la ou des pièce(s) défectueuses. La présente garantie remplace toutes les autres garanties, implicites ou explicites. En particulier, Generac n'émet aucune garantie de conformité ou d'usage pour un objectif particulier. Certains États et provinces ne permettent pas la limitation de la durée des garanties implicites. Toutes les garanties implicites qui sont autorisées par loi, seront limitées dans la durée selon les termes de la présente garantie. La limitation mentionnée ci-dessus pourrait donc ne pas s'appliquer à votre cas.

La garantie du SCE ne s'applique qu'au système de contrôle des émissions de votre nouvel équipement. Les garanties du SCE et de Generac décrivent les droits et obligations importantes relatives à votre nouvel équipement.

Le service de garantie ne peut être réalisé que par une entreprise de service agréée par Generac. En cas de demande du service de garantie, des preuves mentionnant la date de vente à l'acquéreur / au propriétaire d'origine doivent être présentées.

Pour toute question concernant vos droits et responsabilités de garantie, merci de contacter Generac à l'adresse suivante :

**ATTENTION WARRANTY DEPARTMENT
GENERAC POWER SYSTEMS, INC.
P.O. BOX (boîte postale) 297 • WHITEWATER, WI 53190**

GARANTIE D'ÉMISSIONS POUR L'ÉQUIPEMENT CERTIFIÉ EPA

GARANTIE DU SYSTÈME DE CONTRÔLE DES ÉMISSIONS

Garantie du Système de Contrôle des Émissions (garantie du SCE) pour l'équipement utilisant de petits moteurs à allumage commandé :

- (a) Applicabilité : la présente garantie s'applique à l'équipement qui utilise de petits moteurs hors route. La période de la garantie du SCE commencera à la date d'achat / de livraison du nouvel équipement à son acquéreur / propriétaire d'origine, final, et durera pour moins de :
- (1) La période de temps spécifiée dans la présente Garantie limitée de Generac, mais pas moins de 24 mois, ou
 - (2) Pour les moteurs équipés d'un compteur horaire, un certain nombre d'heures de fonctionnement égale à la moitié de la durée de vie utile du moteur. La durée de vie utile peut est indiquée sur l'étiquette de contrôle des émissions sur le moteur.
- (b) Couverture générale de garantie d'émissions : Generac garantit à l'acquéreur / au propriétaire d'origine, final, du nouveau moteur ou équipement et à chacun des acquéreurs / propriétaires suivant que lorsqu'il est installé le SCE :
- (1) Est conçu, construit et équipé dans le respect de toutes les réglementations applicables ; et
 - (2) Ne comporte aucune pièce défectueuse ni ne présente aucun défaut de fabrication à tout moment de la période de garantie du SCE.
- (c) La garantie sur les pièces relatives aux émissions sera interprétée de la façon suivante :
- (1) Toute pièce garantie, dont le remplacement n'est pas prévu au cours des maintenances obligatoires mentionnées dans le Manuel d'entretien sera garantie pour toute la durée de la Garantie du SCE. Si l'une de ces pièces devient défectueuse pendant la durée de la Garantie du SCE, elle sera réparée ou remplacée par Generac conformément au paragraphe (4) qui suit. Ces pièces réparées ou remplacées dans le cadre de la Garantie du SCE seront garanties pour le reste de la durée de la Garantie du SCE.
 - (2) Toute pièce garantie dont il est prévu une inspection régulière dans le Manuel d'entretien sera garantie pendant toute la durée de la Garantie du SCE. Toute déclaration au niveau du Manuel d'entretien et relative à l'effet de « réparation ou remplacement si nécessaire » ne réduira pas la durée de la Garantie du SCE. Ces pièces réparées ou remplacées dans le cadre de la Garantie du SCE seront garanties pour le reste de la durée de la Garantie du SCE.
 - (3) Toute pièce garantie, dont le remplacement est pas prévu au cours des maintenances obligatoires mentionnées dans le Manuel d'entretien sera garantie pour la période précédant la date du premier remplacement prévu. Si la pièce devient défectueuse avant le premier remplacement prévu, elle sera réparée ou remplacée par Generac, conformément au paragraphe (4) qui suit. Ces pièces relatives aux émissions réparées ou remplacées dans le cadre de la Garantie du SCE seront garanties pour le reste de la durée précédant la date de leur premier remplacement prévu.
 - (4) La réparation ou le remplacement de toute pièce relative aux émissions et garantie dans le cadre de la Garantie du SCE sera réalisé sans frais pour le propriétaire dans un service de garantie agréé par Generac.
 - (5) Nonobstant les dispositions de la sous-section (4) ci-dessus, les services ou réparations sous garantie doivent être effectués aux centres d'entretien agréés par Generac.
 - (6) Si le moteur est inspecté par un service de garantie agréé par Generac, les frais de diagnostic ne seront pas à la charge de l'acquéreur / du propriétaire si la réparation entre dans le cadre de la garantie.
 - (7) Generac est tenu, pendant la durée de la Garantie du SCE, de conserver un stock de pièces relatives aux émissions et garanties suffisant afin de répondre à la demande desdites pièces.
 - (8) Toute pièce de rechange relative aux émissions agréée et approuvée par Generac pourra être utilisée pour la réalisation de toute maintenance ou réparation effectuée dans le cadre de la garantie du SCE et sera fournie sans frais à la charge de l'acquéreur / du propriétaire. Cette utilisation ne réduira pas les obligations de Generac dans le cadre de la Garantie du SCE.
 - (9) Aucune modification, autres que celles explicitement approuvées par Generac, ne peuvent être apportées à la génératrice. Les modifications non approuvées annulent la Garantie du SCE et constituera un motif suffisant pour rejeter toute demande de bénéfice de la Garantie du SCE.
 - (10) Generac ne sera pas responsable des défaillances des pièces de rechange non autorisées, ou défaillance des pièces autorisées causées par l'utilisation de pièces de rechange non autorisées.

LES PIÈCES RELATIVES AUX ÉMISSIONS PEUVENT INCLURE CE QUI SUIT (LE CAS ÉCHÉANT) :

- | | |
|--|------------------------------|
| 1) DISPOSITIF MESUREUR DE CARBURANT | 3) SYSTÈME D'ALLUMAGE |
| A. CARBURATEUR ET PIÈCES INTERNES | A. BOUGIES D'ALLUMAGE |
| B. CAPUCHON/RÉSERVOIR DE CARBURANT | B. MODULE/BOBINES D'ALLUMAGE |
| C. CANALISATIONS DE CARBURANT | 4) SYSTÈME D'ADMISSION D'AIR |
| D. CANALISATION DE TUYAUX D'ÉVACUATION | A. SOUPE À IMPULSION D'AIR |
| E. RÉGULATEUR (CARBURANTS GAZEUX) | 5) SYSTÈME D'ÉCHAPPEMENT |
| 2) SYSTÈME D'ADMISSION D'AIR | A. CATALYSEUR |
| A. COLLECTEUR D'ADMISSION | B. COLLECTEUR D'ÉCHAPPEMENT |
| B. FILTRE À AIR | |

Free Manuals Download Website

<http://myh66.com>

<http://usermanuals.us>

<http://www.somanuals.com>

<http://www.4manuals.cc>

<http://www.manual-lib.com>

<http://www.404manual.com>

<http://www.luxmanual.com>

<http://aubethermostatmanual.com>

Golf course search by state

<http://golfingnear.com>

Email search by domain

<http://emailbydomain.com>

Auto manuals search

<http://auto.somanuals.com>

TV manuals search

<http://tv.somanuals.com>