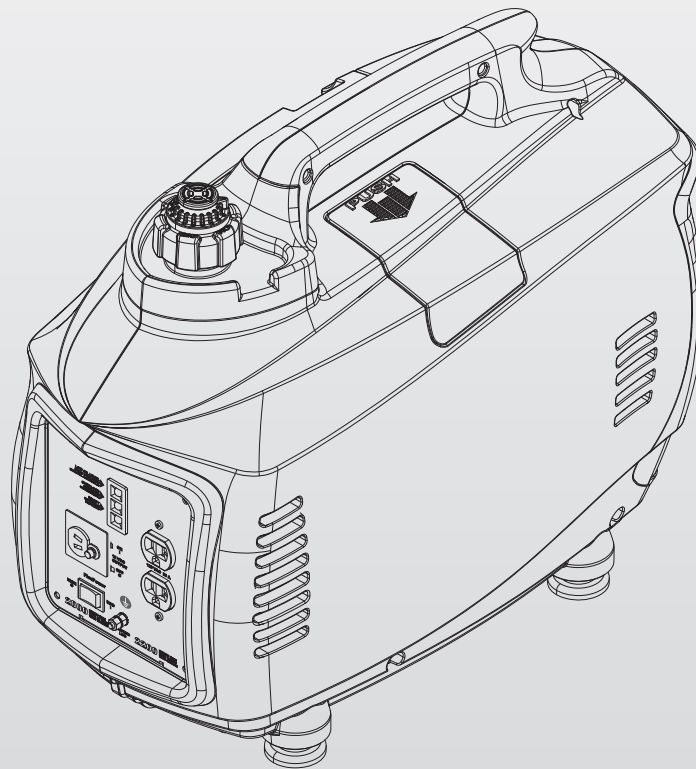


MODELS: 005792-3
005793-3
006719-0

iX 1600 & iX 2000 Digital Inverter Generator Owner's Manual



⚠ DANGER!

- ⚠ DEADLY EXHAUST FUMES! ONLY use OUTSIDE far away from windows, doors and vents!**
- ⚠ NOT INTENDED FOR USE IN CRITICAL LIFE SUPPORT APPLICATIONS.**
- ⚠ SAVE this Manual. Provide this manual to any operator of the generator.**



www.generac.com or 1-888-GENERAC

Table of Contents

Accessory Box	Inside Front Cover	
Introduction		1
Read this Manual Thoroughly		1
Safety Rules		1
Standards Index		3
General Information		4
Specifications		4
1600 Watt.....		4
2000 Watt (49 State)		4
2000 Watt (50 State)		4
Emissions Information.....		4
Unit Identification		5
Control Panel.....		5
Operation		6
Pre-Use Check.....		6
Starting the Generator		7
Adding Loads.....		7
Using the FlexPower™ Switch		8
Using the 12 VDC Battery Charger		8
Shutting Down		8
Low Oil Level Shutdown.....		9
Fueling the Generator		9
To Fill the Fuel Tank		9
Adding Engine Oil.....		9
To Add Engine Oil to the Crankcase		10
Maintenance		10
Generator Maintenance		10
Generator Maintenance Schedule		10
Cleaning the Generator		11
Engine Maintenance		11
Changing the Engine Oil		11
Changing the Fuel Filter		11
Changing the Spark Plug		12
Transportation and Storage		12
Clean Spark Arrestor Screen (50 State).....		13
Troubleshooting		14
Troubleshooting Guide.....		14
Notes		15
<hr/>		
iX 1600 & iX 2000 Manual del operador del generador inversor digital		17
iX 1600 et iX 2000 Manuel d'utilisation du générateur inverseur numérique		35

ACCESSORY BOX

Check all contents. If any parts are missing or damaged locate an authorized dealer at 1-888-436-3722.

Contents include:

- 1 bottle SAE 30 Oil
- Spark Plug Wrench
- Battery Charge Cable
- Oil Funnel
- Screwdriver

WARNING!

California Proposition 65

Engine exhaust and some of its constituents are known to the state of California to cause cancer, birth defects, and other reproductive harm.

WARNING!

California Proposition 65

This product contains or emits chemicals known to the state of California to cause cancer, birth defects, and other reproductive harm.

INTRODUCTION

This model is a compact, high performance, air-cooled, engine driven generator designed to supply electrical power to operate electrical loads where no utility power is available or in place of utility due to a power outage.

READ THIS MANUAL THOROUGHLY

If any portion of this manual is not understood, contact the nearest Authorized Dealer for starting, operating and servicing procedures.

The operator is responsible for proper and safe use of the equipment. We strongly recommend that the operator read this manual and thoroughly understand all instructions before using the equipment. We also strongly recommend instructing other users to properly start and operate the unit. This prepares them if they need to operate the equipment in an emergency.

The generator can operate safely, efficiently and reliably only if it is properly located, operated and maintained. Before operating or servicing the generator:

- Become familiar with and strictly adhere to all local, state and national codes and regulations.
- Study all safety warnings in this manual and on the product carefully.
- Become familiar with this manual and the unit before use.

The manufacturer cannot anticipate every possible circumstance that might involve a hazard. The warnings in this manual, and on tags and decals affixed to the unit are, therefore, not all inclusive. If using a procedure, work method or operating technique that the manufacturer does not specifically recommend, ensure that it is safe for others. Also make sure the procedure, work method or operating technique utilized does not render the generator unsafe.

THE INFORMATION CONTAINED HEREIN WAS BASED ON MACHINES IN PRODUCTION AT THE TIME OF PUBLICATION. GENERAC RESERVES THE RIGHT TO MODIFY THIS MANUAL AT ANY TIME.

SAFETY RULES

Throughout this publication, and on tags and decals affixed to the generator, DANGER, WARNING, CAUTION and NOTE blocks are used to alert personnel to special instructions about a particular operation that may be hazardous if performed incorrectly or carelessly. Observe them carefully. Their definitions are as follows:

DANGER!

Indicates a hazardous situation or action which, if not avoided, will result in death or serious injury.

WARNING!

Indicates a hazardous situation or action which, if not avoided, could result in death or serious injury.

CAUTION!


Indicates a hazardous situation or action which, if not avoided, could result in minor or moderate injury.

NOTE:

Notes contain additional information important to a procedure and will be found within the regular text body of this manual.


These safety warnings cannot eliminate the hazards that they indicate. Common sense and strict compliance with the special instructions while performing the action or service are essential to preventing accidents.

Four commonly used safety symbols accompany the **DANGER**, **WARNING** and **CAUTION** blocks. The type of information each indicates is as follows:

 **This symbol points out important safety information that, if not followed, could endanger personal safety and/or property of others.**

 **This symbol points out potential explosion hazard.**

 **This symbol points out potential fire hazard.**

 **This symbol points out potential electrical shock hazard.**

GENERAL HAZARDS

- NEVER operate in an enclosed area, in a vehicle, or indoors EVEN IF doors and windows are open.
- For safety reasons, the manufacturer recommends that the maintenance of this equipment is carried out by an Authorized Dealer. Inspect the generator regularly, and contact the nearest Authorized Dealer for parts needing repair or replacement.
- Operate generator only on level surfaces and where it will not be exposed to excessive moisture, dirt, dust or corrosive vapors.
- Keep hands, feet, clothing, etc., away from drive belts, fans, and other moving parts. Never remove any fan guard or shield while the unit is operating.
- Certain parts of the generator get extremely hot during operation. Keep clear of the generator until it has cooled to avoid severe burns.
- Do NOT operate generator in the rain.
- Do not alter the construction of the generator or change controls which might create an unsafe operating condition.
- Never start or stop the unit with electrical loads connected to receptacles AND with connected devices turned ON. Start the engine and let it stabilize before connecting electrical loads. Disconnect all electrical loads before shutting down the generator.




Safety Rules

! SAVE THESE INSTRUCTIONS – The manufacturer suggests that these rules for safe operation be copied and posted near the unit's installation site. Safety should be stressed to all operators and potential operators of this equipment.

- When working on this equipment, remain alert at all times. Never work on the equipment when physically or mentally fatigued.
- Never use the generator or any of its parts as a step. Stepping on the unit can stress and break parts, and may result in dangerous operating conditions from leaking exhaust gases, fuel leakage, oil leakage, etc.

EXHAUST & LOCATION HAZARDS

- **NEVER operate in an enclosed area or indoors! NEVER use in the home, in a vehicle, or in partly enclosed areas such as garages, EVEN IF doors and windows are open! ONLY use outdoors and far from open windows, doors, vents, and in an area that will not accumulate deadly exhaust.**

! DANGER	
Using a generator indoors CAN KILL YOU IN MINUTES.	
Generator exhaust contains carbon monoxide. This is a poison you cannot see or smell.	
	
NEVER use inside a home or garage, EVEN IF doors and windows are open.	
	Only use OUTSIDE and far away from windows, doors, and vents.

- The engine exhaust fumes contain carbon monoxide, which you cannot see or smell. This poisonous gas, if breathed in sufficient concentrations, can cause unconsciousness or even death.
- Adequate, unobstructed flow of cooling and ventilating air is critical to correct generator operation. Do not alter the installation or permit even partial blockage of ventilation provisions, as this can seriously affect safe operation of the generator. The generator MUST be operated outdoors.
- This exhaust system must be properly maintained. Do nothing that might render the exhaust system unsafe or in noncompliance with any local codes and/or standards.
- Always use a battery operated carbon monoxide alarm indoors, installed according to the manufacturer's instructions.
- If you start to feel sick, dizzy, or weak after the generator has been running, move to fresh air IMMEDIATELY. See a doctor, as you could have carbon monoxide poisoning.

ELECTRICAL HAZARDS

- The generator produces dangerously high voltage when in operation. Avoid contact with bare wires, terminals, connections, etc., while the unit is running, even on equipment connected to the generator. Ensure all appropriate covers, guards and barriers are in place before operating the generator.
- Never handle any kind of electrical cord or device while standing in water, while barefoot or while hands or feet are wet. **DANGEROUS ELECTRICAL SHOCK MAY RESULT.**
- The National Electric Code (NEC) requires the frame and external electrically conductive parts of the generator be properly connected to an approved earth ground. Local electrical codes may also require proper grounding of the generator. Consult with a local electrician for grounding requirements in the area.
- Use a ground fault circuit interrupter in any damp or highly conductive area (such as metal decking or steel work).
- Do not use worn, bare, frayed or otherwise damaged electrical cord sets with the generator.
- In case of accident caused by electric shock, immediately shut down the source of electrical power. If this is not possible, attempt to free the victim from the live conductor. **AVOID DIRECT CONTACT WITH THE VICTIM.** Use a non-conducting implement, such as a rope or board, to free the victim from the live conductor. If the victim is unconscious, apply first aid and get immediate medical help.

FIRE HAZARDS

- **Gasoline is highly FLAMMABLE and its vapors are EXPLOSIVE. Do not permit smoking, open flames, sparks or heat in the vicinity while handling gasoline.**
- **Never add fuel while unit is running or hot.** Allow engine to cool completely before adding fuel.
- **Never fill fuel tank indoors.** Comply with all laws regulating storage and handling of gasoline.
- **Do not overfill the fuel tank. Always allow room for fuel expansion.** If tank is over-filled, fuel can overflow onto a hot engine and cause FIRE or an EXPLOSION. Never store generator with fuel in tank where gasoline vapors might reach an open flame, spark or pilot light (as on a furnace, water heater or clothes dryer). FIRE or EXPLOSION may result. Allow unit to cool entirely before storage.
- Wipe up any fuel or oil spills immediately. Ensure that no combustible materials are left on or near the generator. Keep the area surrounding the generator clean and free from debris and keep a clearance of five (5) feet on all side to allow for proper ventilation of the generator.
- Do not insert objects through unit's cooling slots.

- **Do not** operate the generator if connected electrical devices overheat, if electrical output is lost, if engine or generator sparks or if flames or smoke are observed while unit is running.
- Keep a fire extinguisher near the generator at all times.

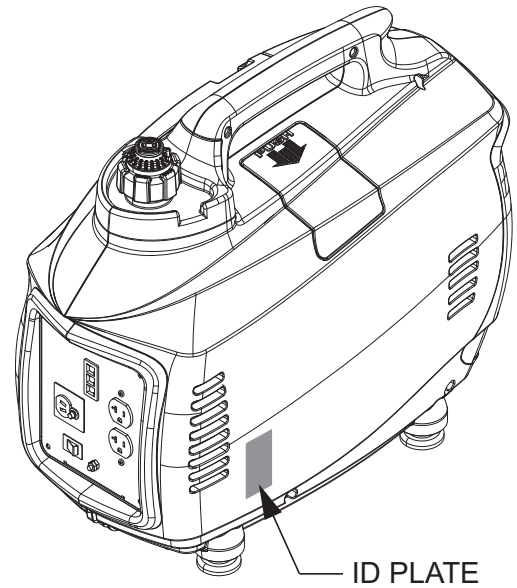
STANDARDS INDEX

1. National Fire Protection Association (NFPA) 70: The NATIONAL ELECTRIC CODE (NEC) available from www.nfpa.org
2. National Fire Protection Association (NFPA) 5000: BUILDING CONSTRUCTION AND SAFETY CODE available from www.nfpa.org
3. International Building Code available from www.iccsafe.org
4. Agricultural Wiring Handbook available from www.nerc.org , Rural Electricity Resource Council P.O. Box 309 Wilmington, OH 45177-0309
5. ASAE EP-364.2 Installation and Maintenance of Farm Standby Electric Power available from www.asabe.org, American Society of Agricultural & Biological Engineers 2950 Niles Road, St. Joseph, MI 49085

This list is not all inclusive. Check with the Authority Having Local Jurisdiction (AHJ) for any local codes or standards which may be applicable to your jurisdiction.

MODEL NO:	
SERIAL NO:	

Figure 1 - Generator ID Plate



General Information

SPECIFICATIONS

1600 WATT

Engine Type	Single Cylinder, 4-Stroke
Engine Size	99cc
Starter Type	Recoil
Fuel Capacity/Type	0.69 Gal (2.6L)/Unleaded
Oil Capacity	0.63 Qt (0.6L)
Run time at 25% Rated Load	5.7 Hours
Spark Plug Type	NGK BPR7HS
Spark Plug Gap	.030"
Dimensions L x W x H (in)	22 x 12 x 18
Weight Lb/kg	43.5/19.7
Maximum AC Output	1600W
Surge AC Output	1650W
AC Volts	120 VAC
Rated AC Current	13.3 A
Frequency	60 Hz
THD	3.0%
Insulation Class	Class B
Outlets	(2) 5-15R, (1) 12 VDC
DC Volts	12 VDC
Rated DC Current	5 A

2000 WATT (49 STATE)

Engine Type	Single Cylinder, 4-Stroke
Engine Size	127cc
Starter Type	Recoil
Fuel Capacity/Type	0.85 Gal. (3.2L) Unleaded
Oil Capacity	0.63 Qt (0.6L)
Run time at 25% Rated Load	5.3 Hours
Spark Plug Type	NGK BPR6ES
Spark Plug Gap	.030"
Dimensions L x W x H (in)	22 x 12 x 18
Weight Lb/kg	49.6/22.5
Maximum AC Output	2000W
Surge AC Output	2200W
AC Volts	120 VAC
Rated AC Current	16.7 A
Frequency	60 Hz
THD	3.0%
Insulation Class	Class B
Outlets	(2) 5-20R, (1) 12 VDC
DC Volts	12 VDC
Rated DC Current	5 A

NOTE:

Power output and runtime are influenced by many factors, some of which are fuel quality, ambient temperature and engine condition. Output decreases approximately 3.5% for each 1,000 feet above sea level and 1% for every 10 degrees above 60°F.

2000 WATT (50 STATE)

Engine Type	Single Cylinder, 4-Stroke
Engine Size	127cc
Starter Type	Recoil
Fuel Capacity/Type	0.82 Gal. (3.1L) Unleaded
Oil Capacity	0.63 Qt (0.6L)
Run time at 25% Rated Load	4.7 Hours
Spark Plug Type	NGK BPR6ES
Spark Plug Gap	.030"
Dimensions L x W x H (in)	22 x 12 x 18
Weight Lb/kg	49.6/22.5
Maximum AC Output	2000W
Surge AC Output	2200W
AC Volts	120 VAC
Rated AC Current	16.7 A
Frequency	60 Hz
THD	3.0%
Insulation Class	Class B
Outlets	(2) 5-20R, (1) 12 VDC
DC Volts	12 VDC
Rated DC Current	5 A

EMISSIONS INFORMATION

The Environmental Protection Agency (and California Air Resource Board for generators certified to CA standards) requires that this generator comply with exhaust and evaporative emission standards. Locate the emissions compliance decal on the engine to determine what standards the generator meets, and to determine which warranty applies. This generator is certified to operate on gasoline. The emission control system includes the following components (if equipped):

- Air Induction System
 - Intake Pipe / Manifold
 - Air Cleaner
- Fuel System
 - Carburetor
 - Fuel Tank / Cap
 - Fuel Lines
 - Evaporative Vent Lines
 - Carbon Canister
- Ignition System
 - Spark Plug
 - Ignition Module
- Exhaust System
 - Exhaust Manifold
 - Muffler
 - Pulsed Air Valve
 - Catalyst

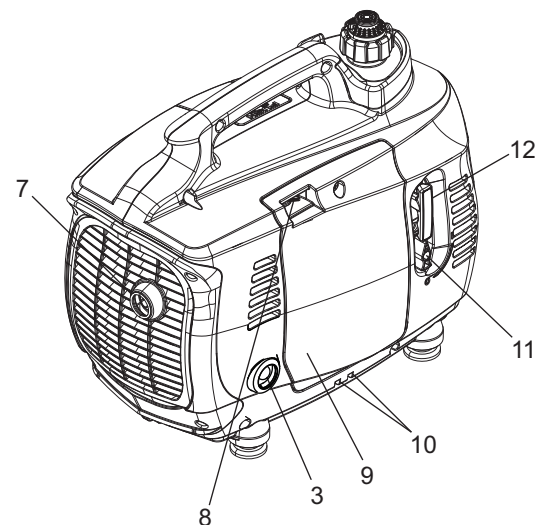
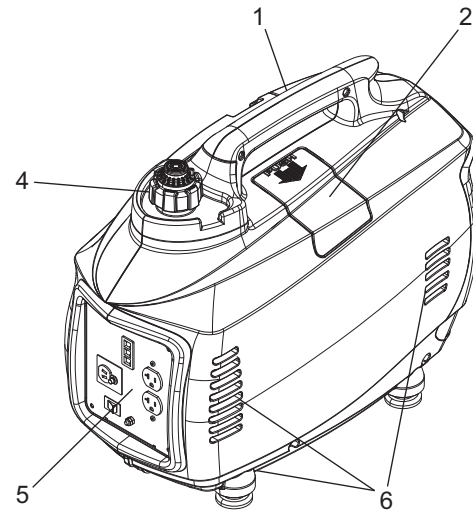
UNIT IDENTIFICATION (Figure 2)

1. Carrying Handle: Lift the generator by this handle only.
2. Spark Plug Cover: Allows access to the engine spark plug.
3. Primer Bulb: Used to prime the fuel system for starting.
4. Fuel Tank Cap: Access to fuel tank for filling.
5. Control Panel: location of generator controls and output receptacles.
6. Air Intake Slats: Allows for cooling air to enter the housing.
7. Muffler: Lowers engine exhaust noise (includes the spark arrestor).
8. Choke: Cold engine starting aid
9. Left Side Service Cover: Allows access to air filter, fuel filter and oil fill.
10. Vent Hoses: Hoses allow venting of the carburetor.
11. Fuel Shutoff: Controls fuel supply to the carburetor.
12. Starter Rope: Pull rope for starting engine.

CONTROL PANEL (Figure 3)

13. LOW OIL LEVEL LED (yellow): Lights up when oil level is below safe operating level and the engine shuts down.
14. OVERLOAD LED (red): This LED indicates a system overload. This LED should be used in conjunction with the READY LED which will flash an error code, see No. 15.
15. READY LED (green): Indicates output from the generator unless there is a low oil or overload condition. In the event of a system overload the Ready LED will provide an indication of the overload condition. The indication consists of a series of flashes separated by a pause. These indications are as follows:
 - 1 Flash = Low Voltage. The unit has been overloaded to the point where the output voltage has dropped to less than 100V AC.
 - 2 Flashes = High Temperature of the Inverter System. The unit has been overloaded to the point where the internal temperature of the inverter has exceeded 212° F.
 - 3 Flashes = Overload. The unit has been overloaded to the point that the output power required has exceeded 110% of rated power.
 - 4 Flashes = Short Circuit. This indicates the unit's output has been short circuited by the load connected to it.

Figure 2 - Unit Identification



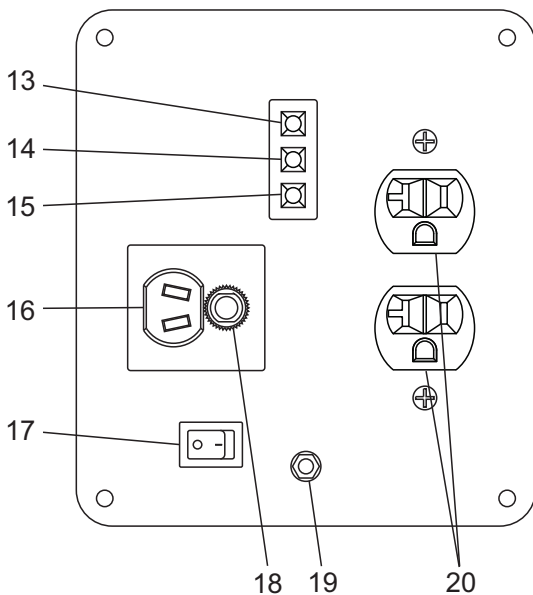
16. 12 VDC Plug: Connection for re-charging 12VDC automotive-style batteries while generator is in operation.
17. FlexPower™ Switch: This switch slows the engine speed when the load is reduced to save fuel and engine wear.
18. 12 VDC Circuit Breaker: Overload protection for the 12 VDC charging system.
19. Ground (Earth) Connection Lug: Grounding point for the generator; consult state and local electrical codes before use (floating ground).
20. 120 VAC Receptacles: Two (2) receptacles for connecting devices.

NOTE:

Do not exceed the rated output of the generator.

Operation

Figure 3 - Control Panel



! The manufacturer recommends installing a battery operated carbon monoxide alarm indoors, according to the manufacturer's instructions.

! NEVER use in the home, or in partly enclosed areas such as garages, campers or trailers. ONLY use outdoors and far from open windows, doors, vents.

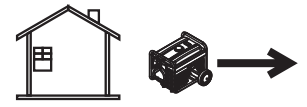
! DANGER

Using a generator indoors CAN KILL YOU IN MINUTES.

Generator exhaust contains carbon monoxide. This is a poison you cannot see or smell.



NEVER use inside a home or garage, EVEN IF doors and windows are open.



Only use **OUTSIDE** and far away from windows, doors, and vents.

PRE-USE CHECK

Prior to starting the generator and adding loads, perform the following tasks:

1. Make sure the generator is on a firm, level, non-combustible surface with at least five (5) feet of clearance on all sides.

! DANGER!

! Never operate in an enclosed area or indoors! NEVER use in the home, in a vehicle, or in partly enclosed areas such as garages, even if doors and windows are open! ONLY use outdoors and far from open windows, doors, vents, and in an area that will not accumulate deadly exhaust.

! The engine exhaust fumes contain carbon monoxide, which you cannot see or smell. This poisonous gas, if breathed in sufficient concentrations, can cause unconsciousness or even death.

! Adequate, unobstructed flow of cooling and ventilating air is critical to correct generator operation. Do not alter the installation or permit even partial blockage of ventilation provisions, as this can seriously affect safe operation of the generator. The generator MUST be operated outdoors.

! This exhaust system must be properly maintained. Do nothing that might render the exhaust system unsafe or in noncompliance with any local codes and/or standards.

2. Remove the fuel cap and check the fuel level. If fuel is needed, see the section "FUELING THE GENERATOR".
3. Remove the left side service cover and check the oil level by removing the oil filler cap. The oil level should be to the bottom of the threads on the oil fill pipe. If oil is needed, see the section "ADDING ENGINE OIL".
4. Replace and secure the left side service cover.
5. Make sure there are no loads connected to the generator.
6. The National Electric Code (NEC) requires the frame and external electrically conductive parts of the generator be properly connected to an approved earth ground. Proper grounding of the generator will prevent electrical shock in the event of a ground fault condition in the generator or in connected electrical devices. Proper grounding also helps dissipate static electricity, which often builds up in ungrounded devices.
7. Local electrical codes may also require proper grounding of the generator.

! CAUTION!

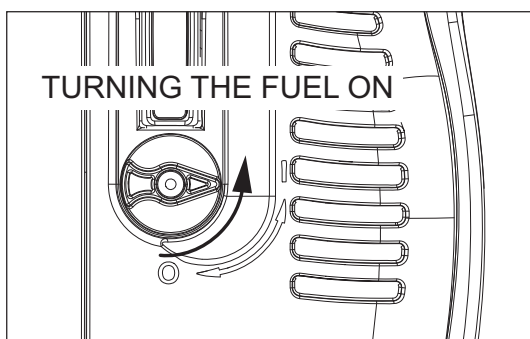
! Starting the generator with accessories connected to the 120 VAC outlets will damage the generator and the connected devices.

STARTING THE GENERATOR

Once the fuel and oil levels have been checked and it has been verified there are no loads connected, the generator may be started. Turn the FlexPower Switch OFF (O).

1. Open the fuel valve (Figure 4), located below the starter rope pull, by turning to the valve 90° counter-clockwise to the "ON" (I) position.
2. Locate the primer bulb (See Figure 5). Slowly, fully depress the primer bulb and release. Allow the primer bulb to return to its original state. Repeat this six (6) more times.
3. If the engine is cold or has not been run for some time, engage the choke by pushing the choke lever to the right (Figure 6).
4. Grip the handle for the pull starter and brace your other hand against the generator. Pull the rope slowly until resistance is felt, then pull the rope rapidly up to three (3) times.
5. If the engine does not start, repeat steps 2-4 until the engine fires and begins to run.

Figure 4 - Fuel Valve



6. Carefully adjust the choke to approximately the ½ position until the engine begins to run smoothly, then push the lever all the way to the left (Figure 6).
7. Make sure the bottom of the generator is not blocked by sand, leaves, grass, etc. as the cooling vents are located on the bottom of the unit.

Figure 5 - Prime Fuel System

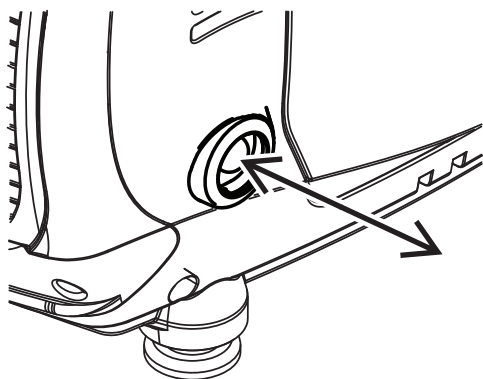
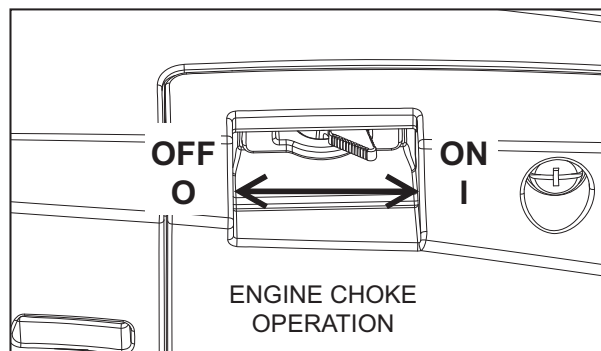


Figure 6 - Adjust Choke



ADDING LOADS

Once the generator has been running smoothly for 2-3 minutes, electrical loads can be added.

⚠ WARNING!

⚡ Do not use worn, bare, frayed or otherwise damaged electrical cord sets with the generator. Do not handle any kind of electrical device while standing in water, while barefoot, or while hands or feet are wet.

1. There are two grounded 120 VAC duplex outlets on the front of the generator.
2. DO NOT overload the generator; if the red "overload" LED lights up and the devices attached to the generator stop operating, stop the engine and reduce the load to the generator. Restart and apply reduced loads.
3. Consult the following table to estimate what can be powered by the generator.

Device	Running Watts
*Air Conditioner (12,000 Btu)	1700
*Air Conditioner (24,000 Btu)	3800
*Air Conditioner (40,000 Btu)	6000
Battery Charger (20 Amp)	500
Belt Sander (3")	1000
Chain Saw	1200
Circular Saw (6-1/2")	800 to 1000
*Clothes Dryer (Electric)	5750
*Clothes Dryer (Gas)	700
*Clothes Washer	1150
Coffee Maker	1750
*Compressor (1 HP)	2000
*Compressor (3/4 HP)	1800
*Compressor (1/2 HP)	1400
Curling Iron	700
*Dehumidifier	650
Disc Sander (9")	1200
Edge Trimmer	500
Electric Blanket	400
Electric Nail Gun	1200
Electric Range (per element)	1500

Operation

Electric Skillet	1250
*Freezer	700
*Furnace Fan (3/5 HP)	875
*Garage Door Opener	500 to 750
Hair Dryer	1200
Hand Drill	250 to 1100
Hedge Trimmer	450
Impact Wrench	500
Iron	1200
*Jet Pump	800
Lawn Mower	1200
Light Bulb	100
Microwave Oven	700 to 1000
*Milk Cooler	1100
Oil Burner on Furnace	300
Oil Fired Space Heater (140,000 Btu)	400
Oil Fired Space Heater (85,000 Btu)	225
Oil Fired Space Heater (30,000 Btu)	150
*Paint Sprayer, Airless (1/3 HP)	600
Paint Sprayer, Airless (handheld)	150
Radio	50 to 200
*Refrigerator	700
Slow Cooker	200
*Submersible Pump (1-1/2 HP)	2800
*Submersible Pump (1 HP)	2000
*Submersible Pump (1/2 HP)	1500
*Sump Pump	800 to 1050
* Allow three (3) times the listed running watts for starting these devices.	

NOTE:

When an electric motor is started, the "OVERLOAD" LED may light up for up to five (5) seconds (this is normal). If it stays on, a fault has occurred. Remove all loads and shut down generator to reset the alarm. Restart the generator. If the "OVERLOAD" LED remains lit, contact a Generac Dealer for assistance.

USING THE FLEXPOWER™ SWITCH


When the accessories connected to the generator are going to be used intermittently (such as a hand drill), the FlexPower™ switch can be pushed to the "ON" (I) position. This will lower the generator engine speed when loads are not being applied, saving fuel, reducing engine wear and extending runtime.


USING THE 12 VDC BATTERY CHARGER


The 12 VDC receptacle may be used to recharge 12 VDC automotive batteries only. The DC charging output is not regulated. The circuit protector does not prevent over-charging a battery.

1. Connect the charging cable to the generator first, then the battery, ALWAYS connecting the red lead to positive (+) and the black to negative (-).

⚠ DANGER!

 **Do not permit smoking, open flame, sparks or any other source of heat around a battery. Wear protective goggles, rubber apron and rubber gloves when working around a battery. Battery electrolyte fluid is an extremely corrosive sulfuric acid solution that can cause severe burns. If a spill occurs, flush area with clear water immediately.**

 **Storage batteries give off explosive hydrogen gas while recharging. An explosive mixture will remain around the battery for a long time after it has been charged. The slightest spark can ignite the hydrogen and cause an explosion. Such an explosion can shatter the battery and cause blindness or other serious injury.**

 **NEVER reverse the polarity when connecting the battery terminals to the charging jack. Severe damage may occur to the generator and battery.**

2. Keep the FlexPower™ switch in the "OFF" (O) position.
3. Start the generator and use it as normal. Charging time will vary with battery size and condition. Check the voltage at the battery terminals once the charging cable has been unplugged or the generator has been shut down.

NOTE:

This receptacle can not recharge 6-Volt batteries and can not be used to crank an engine having a discharged battery.

SHUTTING DOWN

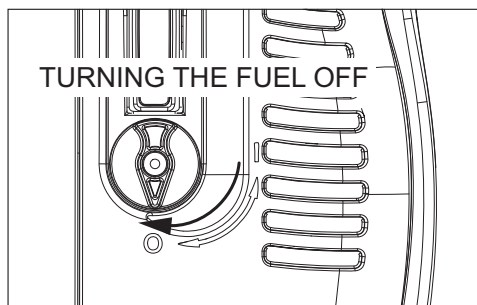
Once the generator is no longer needed it can be shut down.

1. Switch off any devices connected to the generator. Unplug any cords to the 120 VAC duplex outlets or the 12 VDC plug.
2. Turn the fuel valve to the "OFF" (O) position (Figure 7). A switch behind the fuel valve grounds the ignition system, stopping the engine and the fuel supply is shut off.
3. Close the vent on the fuel cap.
4. Allow the generator to cool before moving or storing.

⚠ CAUTION!

! Always allow the generator to cool off before storing. High temperatures will be present at the rear of the unit for some time after shutdown.

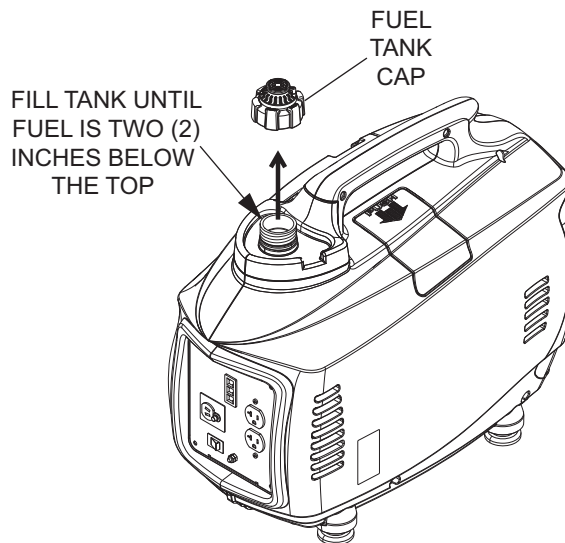
Figure 7 - Turn Off Fuel



TO FILL THE FUEL TANK

1. Remove the fuel tank cap.

Figure 8 - Fuel Tank Cap



2. Add fuel slowly, stopping about two (2) inches below the top of the filler neck.
3. Replace the fuel tank cap. Make sure the valve on the fuel cap is in the "OFF" position.
4. If the generator is going to be started, refer to the section "STARTING THE GENERATOR" for additional directions on priming the fuel system.

LOW OIL LEVEL SHUTDOWN

This generator is equipped with a low oil level shut down. If the oil level in the engine crankcase drops below a pre-determined level, the engine will stop automatically and the "LOW OIL LEVEL" LED will light up.

Remove the Left Side Service Cover and check the oil level of the engine. Add or drain oil as necessary; refer to see the section "ADDING ENGINE OIL".

FUELING THE GENERATOR

Use care when fueling the generator. Only fill the fuel tank when the generator has cooled entirely. Use fresh unleaded gasoline with a minimum Research Octane Number (RON) of 87.

NOTE:

Do not use any gasoline containing more than 10% Ethanol. NEVER fill the fuel tank with E85 or a mixture of oil and gasoline designated for two-cycle engines.

⚠ DANGER!

Do not light a cigarette or smoke when filling the fuel tank.

⚠ Gasoline is highly FLAMMABLE and its vapors are EXPLOSIVE. Do not permit smoking, open flames, sparks or heat in the vicinity while handling gasoline.

⚠ Never fill fuel tank indoors. Never fill fuel tank when engine is running or hot. Avoid spilling gasoline on a hot engine. Allow engine to cool entirely before filling fuel tank.

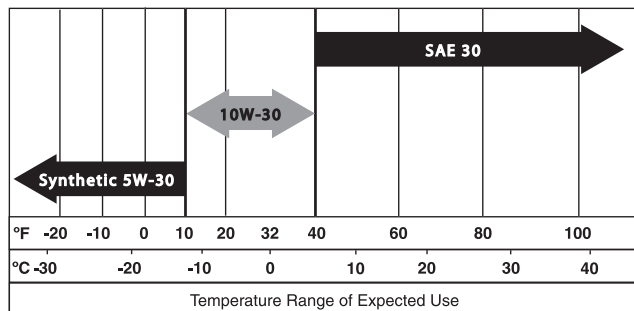
⚠ Do not overfill the fuel tank. Always allow room for fuel expansion. If tank is over-filled, fuel can overflow onto a hot engine and cause FIRE or an EXPLOSION. Wipe up fuel spills immediately!

ADDING ENGINE OIL

All oil should meet minimum American Petroleum Institute (API) Service Class SJ, SL or better. Do not use any aftermarket additives.

Select the oil's viscosity grade according to the expected operating temperature, only a little more than one-half quart is needed.

- Above 40° F, use SAE 30
- Below 40° F to 10° F, use 10W-30
- Below 10° F, use synthetic 5W-30



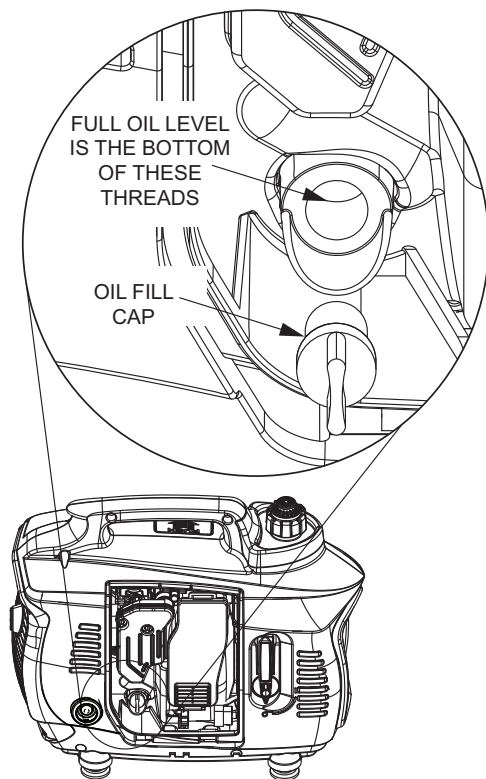
TO ADD ENGINE OIL TO THE CRANKCASE

1. Place the unit on a firm, level surface.
2. Remove the Left Side Service Cover.
3. Remove the oil fill cap located on the bottom of the engine crankcase.
4. Add the recommended engine oil slowly, stopping frequently to check the level. The full level is the base of the threads in the filler neck. **DO NOT OVERFILL!**
5. Replace the oil fill cap and tighten.
6. Always check the oil level before starting the generator engine.

▲ CAUTION!

▲ DO NOT overfill the engine crankcase with oil. High oil pressure may result, causing premature engine wear and damage.

Figure 9 - Oil Fill



GENERATOR MAINTENANCE

Proper care will ensure maximum performance of your generator. Generator maintenance consists of keeping the unit clean and dry. Operate and store the unit in a clean dry environment where it will not be exposed to excessive dust, dirt, moisture or any corrosive vapors.

Cooling air slots in the generator must not become clogged with snow, leaves, or any other foreign material.

Check the cleanliness of the generator frequently and clean when dust, dirt, oil, moisture or other foreign substances are visible on its exterior surface.

NOTE:

Never insert any object or tool through the air cooling slots, even if the engine is not running.

NOTE:

DO NOT use a garden hose to clean the generator. Water can enter the engine fuel system and cause problems. In addition, if water enters the generator through cooling air slots, some water will be retained in voids and crevices of the rotor and stator winding insulation. Water and dirt buildup on the generator internal windings will eventually decrease the insulation resistance of these windings.

GENERATOR MAINTENANCE SCHEDULE

Follow the recommended service schedule; to order replacement parts call 1-888-436-3722.

	Each Use	Every 100 Hours	Every 6 Months	Each Year
Fuel Level	X			
Oil Level	X			
Check Air Filter	X			
*Change Engine Oil		X		
**Clean Air Filter		X		
Check Spark Plug			X	
Check Muffler			X	
Inspect and Clean Spark Arrestor				X
Replace Spark Plug				X
Replace Fuel Filter				X

* Perform initial oil change after the first five (5) hours of operation

** Clean the air filter more often if operating in dusty or sandy conditions. Replace as necessary.

CLEANING THE GENERATOR

1. Use a damp cloth to wipe exterior surfaces clean.
2. A soft, bristle brush may be used to loosen caked on dirt, oil, etc.
3. A vacuum cleaner may be used to pick up loose dirt and debris.
4. Low pressure air (not to exceed 25 psi) may be used to blow away dirt. Inspect cooling air slots and openings on the generator. These openings must be kept clean and unobstructed.
5. Inspect the vent hoses on the left side of the generator. Make sure the hoses protrude through the slots below the door and that the ends are open and free of debris.

ENGINE MAINTENANCE

▲ CAUTION!

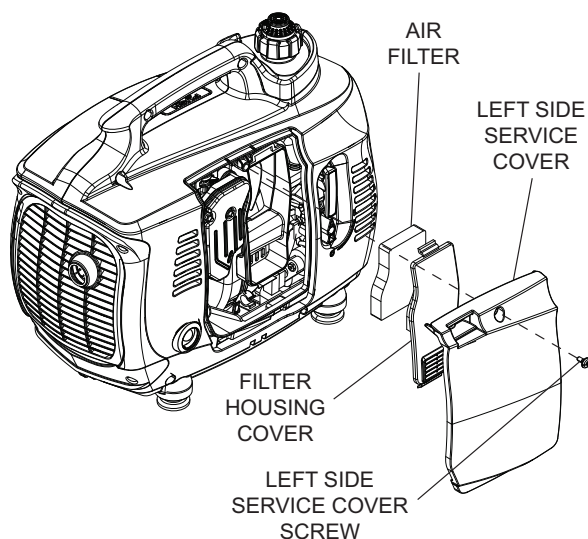
▲ Only work on a generator that has cooled completely.

Inspect the oil level and air filter condition each time you are going to use the generator. To check the air filter and oil level the left side service cover must be removed; use a screwdriver to loosen the screw securing the cover and remove.

The air filter is located behind a cover for the air box (Figure 10). Push the tab on the bottom of the air box upwards to release the cover. To service the air cleaner:

1. Remove the air cleaner. Tap the element to shake loose any large particles.
2. Wash the element in soapy water. Squeeze the filter dry in clean cloth (DO NOT TWIST).
3. Soak the filter element in clean engine oil. Squeeze the excess oil from the filter, leaving a light coating.
4. Clean air cleaner housing and cover before re-installing the filter element.

Figure 10 - Air Filter



CHANGING THE ENGINE OIL

▲ CAUTION!

▲ Hot oil may cause burns. Allow engine to cool entirely before draining oil. Avoid prolonged or repeated skin exposure with used oil. Thoroughly wash exposed areas with soap.

Change the engine oil after the first five (5) hours of operation. Change the engine oil every 100 hours thereafter. To change the engine oil:

1. Run the generator briefly to warm the engine oil; this also loosens any engine deposits and makes the used oil flow easier.

▲ CAUTION!

▲ Change the oil only when the fuel tank is low or nearly empty. Tipping the generator with a full fuel tank may cause fuel leakage.

2. Place the generator over a drain pan and remove the drain plug. Tip the generator on its side to drain the used oil from the crankcase.

NOTE:

To make draining the oil easier, a 6" length of vinyl (PVC) hose with an inside diameter of 1.25" (32mm) may be placed over the drain lip.

3. Tip the generator upright once the oil has finished draining. Replace the engine oil with the proper grade called out in Section "ADDING ENGINE OIL", then replace the drain plug.

CHANGING THE FUEL FILTER

Locate the fuel filter, just below the engine intake housing (Figure 11). Make sure the Fuel Shutoff is in the "OFF" (O) position.

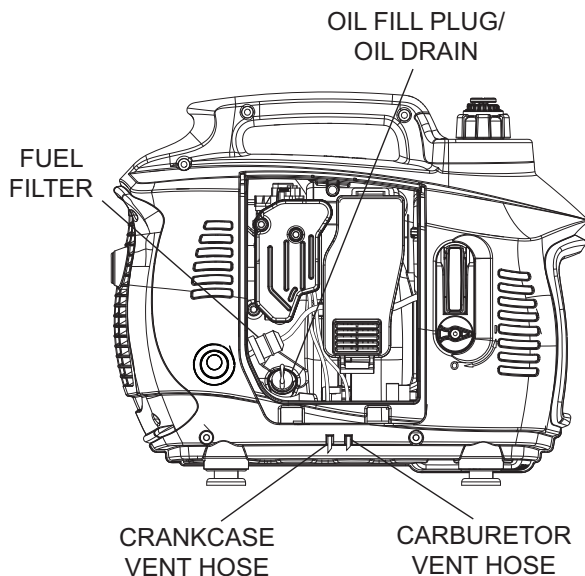
1. Remove the pinch clamps securing the fuel filter. Pull the hoses free.

▲ WARNING!

▲ Wipe up any fuel spills immediately! Do not smoke or replace the fuel filter near sparks or open flame!

2. Replace the used filter with a new one. Push the fuel hoses onto the barbed filter fittings until they are seated completely.
3. Replace the clamps, making sure they are seated on the fittings.

Figure 11 - Fuel Filter



TRANSPORTATION AND STORAGE

Transport or store the generator only if it has cooled completely. Make sure the fuel valve and the vent on the fuel cap are both in the OFF ("O") position.

It is important to prevent gum deposits from forming in essential fuel system parts such as the carburetor, fuel hose or tank during long-term storage. Also, experience indicates that alcohol-blended fuels (called gasohol, ethanol or methanol) can attract moisture, which leads to separation and formation of acids; these acids can damage the fuel system of an engine while in storage.

To avoid engine problems, the use of a commercial fuel stabilizer prior to storage is recommended. Follow the manufacturer's instructions when adding the fuel stabilizer.

If the generator is going to be stored for more than six (6) months, the generator should be prepared as follows:

1. Remove all gasoline from the fuel tank.
2. Start and run engine until engine stops from lack of fuel or open the valve on carburetor bowl (Figure 13), and allow gasoline to drain down tube into a receptacle. Discard appropriately. Be sure to close the valve once the gasoline has drained.

CHANGING THE SPARK PLUG

Replace the spark plug each year, regardless of how many hours the generator has been run. Use a NGK BPR7HS that has been gapped to .030" (.76mm). To replace the spark plug:

1. Remove the spark plug cover on the top right side of the generator, just below the handle (Figure 12).
2. Carefully pull the spark plug lead from the spark plug. Use a socket wrench to remove the spark plug.
3. Install the new spark plug into the cylinder head. Tighten the spark plug to 15 ft/lb.
4. Replace the spark plug lead, making sure it is fully seated.
5. Replace the spark plug cover.

Figure 12 - Replace Spark Plug

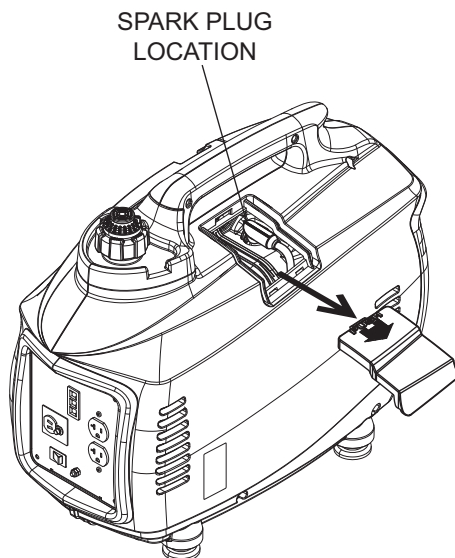
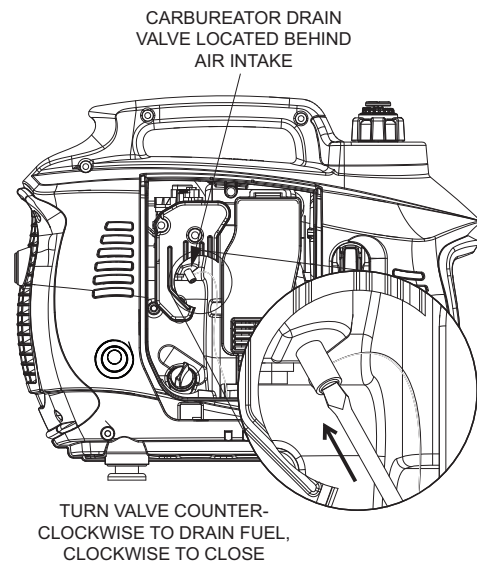


Figure 13 - Carburetor Drain Valve



3. While engine is still warm, drain oil from crankcase. Refill with recommended grade.
4. Remove spark plugs and pour about 1/2 ounce (15 ml) of engine oil into the cylinders. Cover spark plug hole with rag. Pull the starting rope several times to coat the cylinder walls with engine oil.
5. Install and tighten the spark plug.
6. Clean the generator outer surfaces. Check that cooling air slots and openings on generator are open and unobstructed.
7. Store the unit in a clean, dry place.

Do not store gasoline from one season to another.

If possible, store the unit indoors and cover it to give protection from dust and dirt.

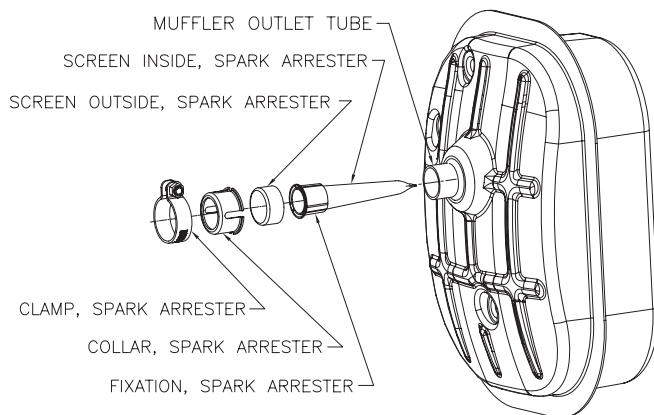
CLEAN SPARK ARRESTOR SCREEN (50 STATE)

The engine exhaust muffler has a spark arrestor screen. Inspect and clean the screen every 50 hours of operation or once each year, whichever comes first.

Clean and inspect the spark arrestor as follows:

- Remove the screen retainer by removing the retainer clamp.
- Slide the spark arrestor screen out from the muffler outlet tube.
- Inspect screen and replace if torn, perforated or otherwise damaged. Do NOT use a defective screen. If screen is not damaged, clean with a commercial solvent.
- Replace the screen and retainer and secure with retainer clamp.

Figure 12 - Spark Arrestor Screen



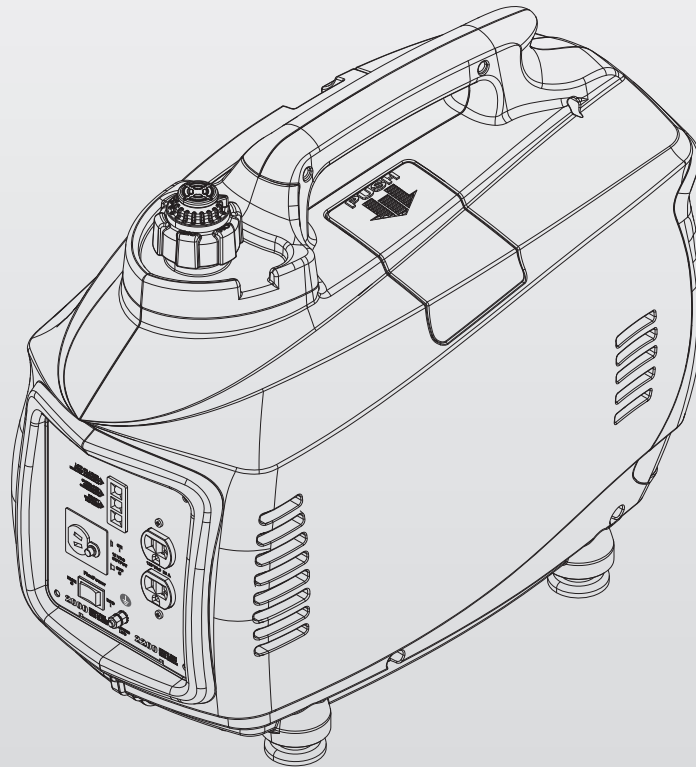
TROUBLESHOOTING GUIDE

PROBLEM	CAUSE	CORRECTIVE ACTION
Engine won't start.	<ol style="list-style-type: none"> 1. No fuel in tank. 2. Fuel valve turned off. 3. Defective spark plug. 4. Plugged fuel filter. 5. Defective or stuck engine stop switch. 	<ol style="list-style-type: none"> 1. Add fuel to tank. 2. Turn fuel valve on. 3. Replace spark plug. 4. Replace fuel filter. 5. Replace engine start switch.
Engine starts, then shuts down.	<ol style="list-style-type: none"> 1. Low fuel level. 2. Fuel tank vent closed. 3. Incorrect engine oil level. 4. Contaminated fuel. 5. Defective low oil level switch. 6. Defective ignition coil. 	<ol style="list-style-type: none"> 1. Add fuel to tank. 2. Open fuel tank vent. 3. Check engine oil level, add or drain as needed. 4. Replace fuel filter. 5. Replace Low Oil Level switch. 6. Replace ignition coil.
Engine starts, then runs rough.*	<ol style="list-style-type: none"> 1. Choke is stuck or left on. 2. Dirty or clogged air filter. 3. Defective or dirty spark plug. 4. Dirty fuel filter. 5. Defective EcoMode switch. 	<ol style="list-style-type: none"> 1. Turn choke off. 2. Clean or replace the air filter element. 3. Replace spark plug. 4. Replace fuel and fuel filter. 5. Replace EcoMode switch.
No AC output.	<ol style="list-style-type: none"> 1. Generator is overloaded (OVERLOAD LED is on and READY LED is flashing, See control Panel Identification section). 2. AC voltage is low (OVERLOAD LED is on and READY LED is flashing, See control Panel Identification section). 3. Inverter module is overheated (OVERLOAD LED is on and READY LED is flashing, See control Panel Identification section). 4. Short circuit in electrical device (OVERLOAD LED is on and READY LED is flashing, See control Panel Identification section). 5. Defective inverter assembly. 	<ol style="list-style-type: none"> 1. Shut down generator to reset module. Reduce loads and restart generator. 2. Verify that the choke is OFF. 3. Verify service door is ON. Let cool for 15 minutes and restart generator. 4. Verify condition of any extension cords and all items being powered. 5. Replace inverter assembly.
No DC output. **	<ol style="list-style-type: none"> 1. DC circuit breaker is open. 2. Defective DC circuit breaker. 3. Defective rectifier. 	<ol style="list-style-type: none"> 1. Reset DC circuit breaker. 2. Replace DC circuit breaker. 3. Replace rectifier.
Fuel leaks from drain hoses.	<ol style="list-style-type: none"> 1. Fuel system over primed (flooded). 2. Carburetor drain in bowl is not closed. 	<ol style="list-style-type: none"> 1. Let generator sit 15 minutes before restarting. 2. Turn valve clockwise to close.
<p>* Engine speed increases and decreases — This is normal as the generator starts up and as loads vary.</p> <p>** Verify EcoMode Switch is in the "O" OFF position.</p>		

MODELOS: 005792-3
005793-3
006719-0

iX 1600 & iX 2000

Manual del Usuario del Generador Inversor Digital



⚠ PELIGRO

- ⚠ ¡GASES DE ESCAPE MORTALES! ¡Utilícelo SOLAMENTE al AIRE LIBRE y lejos de ventanas, puertas y respiraderos!**
- ⚠ No diseñado para uso en aplicaciones de soporte de vida crítica.**
- ⚠ GUARDE este Manual. Proporcione este manual a cualquier operador del generador.**



Contenido

Caja de accesorios	18	Mantenimiento	28
Introducción	19	Mantenimiento del generador	28
Lea este manual en su totalidad	19	Programa de mantenimiento del generador	28
Reglas de Seguridad	19	Limpieza del generador	29
Índice de normas	21	Mantenimiento del motor	29
Información general	22	Cambio del aceite de motor	29
Especificaciones	22	Cambio del filtro de combustible	29
1600 Vatios	22	Cambio de la bujía	30
2000 Vatios (49 Estado)	22	Transporte y almacenamiento	30
2000 Vatios (50 Estado)	22	Limpieza del tamiz del supresor de chispas (50 Estado)	31
Información de las emisiones	22	Localización y corrección de fallas	32
Identificación de la unidad	23	Guía de localización y corrección de fallas	32
Panel de control	23	Notas	33
Operación	24		
Verificación antes de arrancar	24		
Cómo arrancar el generador	25		
Cómo agregar cargas	25		
Cómo usar el interruptor FlexPower™	26		
Cómo usar el cargador de batería de 12 VCD	26		
Cómo apagarlo	26		
Paro por bajo nivel de aceite	27		
Cómo cargar combustible al generador	27		
Para llenar el depósito de combustible	27		
Cómo agregar aceite al motor	27		
Para añadir aceite de motor al cárter del motor	28		

CAJA DE ACCESORIOS

Compruebe todo el contenido. Si algunas piezas faltan o están dañadas, localice a un distribuidor autorizado llamando al 1-888-436-3722.

El paquete incluye:

- 1 bote de aceite SAE 30
- Embudo para aceite
- Llave para bujías
- Destornillador
- Cable de carga de batería

ADVERTENCIA!

Proposición 65 de California

El escape del motor y algunos de sus componentes son conocidos por el Estado de California como causa de cáncer, defectos congénitos y otros daños reproductivos.

ADVERTENCIA!

Proposición 65 de California

Este producto contiene o emite sustancias químicas que son conocidas por el Estado de California como causa de cáncer, defectos congénitos y otros daños reproductivos.

INTRODUCCIÓN

Este modelo es un generador compacto, de alto rendimiento, enfriado por aire y accionado por un motor que está diseñado para suministrar corriente eléctrica para impulsar cargas eléctricas donde no esté disponible el servicio público eléctrico o en lugar del servicio público eléctrico por un apagón.

LEA ESTE MANUAL EN SU TOTALIDAD

Si cualquier parte de este manual no se entiende, contacte al Distribuidor Autorizado más cercano para obtener información sobre los procedimientos de arranque, operación y mantenimiento.

El operador es responsable del uso apropiado y seguro del equipo. Recomendamos encarecidamente que el operador lea este manual y comprenda a fondo todas las instrucciones antes de usar el equipo. También recomendamos encarecidamente darle instrucciones a otros usuarios sobre cómo arrancar y operar correctamente la unidad. Esto los preparará en caso de que necesiten operar el equipo en una emergencia.

El generador puede operar de forma segura, eficiente y confiable solamente si se sitúa, opera y mantiene correctamente. Antes de operar o dar mantenimiento al generador:

- Familiarícese con todos los códigos y regulaciones locales, estatales y nacionales, y sígalas al pie de la letra.
- Estudie cuidadosamente todas las advertencias de seguridad en este manual y en el producto.
- Familiarícese con este manual y con la unidad antes de usarla.

El fabricante no puede anticipar cada circunstancia posible que pueda implicar un riesgo. Las advertencias en este manual, y en las etiquetas y calcomanías en la unidad son, por lo tanto, no exhaustivas. Si usa un procedimiento, método de trabajo o técnica de operación que el fabricante no recomiende específicamente, cerciórese de que es seguro para otros. También asegúrese de que el procedimiento, método de trabajo o técnica de operación utilizada no haga que el generador sea inseguro.

LA INFORMACIÓN INCLUIDA EN EL PRESENTE SE BASA EN LAS MÁQUINAS EN PRODUCCIÓN A LA HORA DE LA PUBLICACIÓN. GENERAC SE RESERVA EL DERECHO DE MODIFICAR ESTE MANUAL EN CUALQUIER MOMENTO.

REGLAS DE SEGURIDAD

En esta publicación, y en las etiquetas y calcomanías en el generador, los recuadros de PELIGRO, ADVERTENCIA, PRECAUCIÓN y NOTA se utilizan para alertar al personal de instrucciones especiales sobre una operación en particular que pueda ser peligrosa si se realiza incorrecta o negligentemente. Obsérvelos cuidadosamente. Sus definiciones son como sigue:

PELIGRO

Indica una situación o acción peligrosa que, si no se evita, puede ocasionar la muerte o una lesión grave.

ADVERTENCIA

Indica una situación o acción peligrosa que, si no se evita, podría ocasionar la muerte o una lesión grave.

⚠️ CUIDADO


Indica una situación o acción peligrosa que, si no se evita, podría ocasionar una lesión menor o moderada.

NOTA:

Las Notas contienen información adicional importante para un procedimiento y se incluyen dentro del cuerpo del texto de este manual.

Estas advertencias de seguridad no pueden eliminar los peligros que indican. El sentido común y el estricto cumplimiento con las instrucciones especiales mientras realiza la acción o el servicio son esenciales para la prevención de accidentes.

Cuatro símbolos de seguridad de uso frecuente acompañan los cuadros de **PELIGRO**, **ADVERTENCIA** y **PRECAUCIÓN**. El tipo de información que cada uno indica es como sigue:

 Este símbolo señala información de seguridad importante que, si no se sigue, podría poner en peligro la seguridad personal y/o las propiedades de terceros.

 Este símbolo indica el riesgo de posible explosión.

 Este símbolo indica el riesgo de posible incendio.

 Este símbolo indica el riesgo de posible descarga eléctrica.

PELIGROS GENERALES

- NUNCA usar en interiores o áreas cubiertas, INCLUSO SI ventanas y puertas están abiertas.
- Por razones de seguridad, el fabricante recomienda que el mantenimiento de este equipo se realice por un Distribuidor Autorizado. Examine el generador regularmente, y contacte al Distribuidor Autorizado más cercano para las piezas que necesitan repararse o reemplazarse.
- Sólo opere el generador en superficies niveladas y donde no esté expuesto a humedad, suciedad, polvo o vapores corrosivos, en exceso.
- Mantenga las manos, pies, ropa, etc., alejados de las bandas de impulsión, de los ventiladores y de otras piezas móviles. Nunca quite alguna guarda o blindaje de los ventiladores mientras la unidad está en operación.
- Ciertas piezas del generador se calientan demasiado durante la operación. Manténgase alejado del generador hasta que se haya enfriado para evitar quemaduras graves.
- NO opere el generador en la lluvia.
- No modifique la estructura del generador ni cambie los controles puesto que podría crear una condición de funcionamiento insegura.
- Nunca arranque o pare la unidad con las cargas eléctricas conectadas a los tomacorrientes Y con los dispositivos conectados ENCENDIDOS. Arranque el motor y déjelo estabilizarse antes de conectar las cargas eléctricas. Desconecte todas las cargas eléctricas antes de apagar el generador.


Reglas de seguridad

! GUARDE ESTAS INSTRUCCIONES – El fabricante sugiere que estas reglas para la operación segura se copien y se coloquen cerca del sitio de instalación de la unidad. Se debe hacer hincapié de la seguridad a todos los operadores y a los posibles operadores de este equipo.

- Al trabajar en este equipo, permanezca alerta todo el tiempo. Nunca realice trabajos en el equipo cuando esté cansado físicamente o mentalmente.
- Nunca utilice el generador o ninguna de sus piezas como escalón. Si se para sobre la unidad puede ejercer presión y romper piezas, y esto puede generar condiciones de funcionamiento peligrosas como fugas de gases de escape, fugas de combustible, fugas de aceite, etc.

PELIGROS DEL ESCAPE Y DE LA UBICACIÓN

- ¡Nunca opere el equipo en un área cerrada o en interiores! ¡NUNCA lo utilice en el hogar, en un vehículo, ni en áreas parcialmente cerradas como garajes, incluso si las puertas y las ventanas están abiertas! Utilícelo SOLAMENTE al aire libre y lejos de las ventanas abiertas, puertas, respiraderos, y en un área que no acumule los mortales gases de escape.

! PELIGRO	
Si usa un generador en interiores, MORIRÁ EN POCOS MINUTOS.	
El escape del generador contiene monóxido de carbono. Es un veneno que no tiene olor ni se puede ver.	
	
NUNCA lo use dentro de una casa o garaje, AUN si las puertas y ventanas están abiertas.	Sólo úselo EN EXTERIORES y lejos de ventanas, puertas y ductos de ventilación.

- Los gases de escape del motor contiene monóxido de carbono, que no se puede ver ni oler. Este gas venenoso, si es inhalado en concentraciones altas, puede causar inconsciencia o aun la muerte.
- El flujo adecuado y sin obstrucciones del aire de enfriamiento y de ventilación es esencial para el correcto funcionamiento del generador. No modifique la instalación ni permita algún bloqueo, incluso parcial, de los componentes de la ventilación, como esto puede afectar seriamente la operación segura del generador. El generador DEBE ser operado al aire libre.
- Este sistema de escape debe recibir el mantenimiento correcto. No haga nada que pueda hacer que el dispositivo de escape sea inseguro o que no cumpla con los códigos o normas locales.
- Utilice siempre una alarma a pilas para detección del monóxido de carbono en interiores, siguiendo las instrucciones del fabricante.
- Si comienza a sentirse enfermo, mareado o débil después de que el generador esté en funcionamiento, trasládese a un lugar con aire fresco INMEDIATAMENTE. Visite a un doctor, pues podría sufrir de intoxicación por monóxido de carbono.

PELIGROS ELÉCTRICOS

- El generador produce un voltaje peligrosamente alto cuando está en funcionamiento. Evite tocar alambres pelados, los terminales, las conexiones, etc. mientras la unidad está en funcionamiento, incluso en el equipo conectado al generador. Asegúrese de que todas las cubiertas, guardas y barreras adecuadas estén colocadas en su sitio antes de hacer funcionar el generador.
- Nunca manipule ningún tipo de cable o dispositivo eléctrico mientras esté parado en agua, mientras esté descalzo, o mientras tenga las manos o los pies mojados. **PUEDA SUFRIR UNA DESCARGA ELÉCTRICA PELIGROSA.**
- El Código Eléctrico Nacional (NEC) requiere que el marco y las partes conductoras del exterior del generador estén conectadas correctamente a una tierra aprobada. Los códigos eléctricos locales pueden también requerir que el generador se ponga a tierra adecuadamente. Consulte con un electricista local sobre los requerimientos de puesta a tierra en su área.
- Utilice un interruptor de circuito por falla a tierra en áreas húmedas o altamente conductivas (como los trabajos en pisos metálicos o en herrería).
- No use cables eléctricos gastados, pelados, quemados o dañados de alguna otra forma con el generador.
- En caso de un accidente ocasionado por descarga eléctrica, corte inmediatamente la fuente de corriente eléctrica. Si esto no es posible, intente liberar a la víctima del conductor vivo. **EVITE EL CONTACTO DIRECTO CON LA VÍCTIMA.** Utilice un instrumento no conductor, tal como una cuerda o una tabla, para liberar a la víctima del conductor vivo. Si la víctima está inconsciente, aplique los primeros auxilios y consiga ayuda médica inmediatamente.

RIESGOS DE INCENDIOS

- **La gasolina es altamente INFLAMABLE y sus vapores son EXPLOSIVOS. No permita fumar, llamas abiertas, chispas o calor a su alrededor mientras manipula la gasolina.**
- **Nunca añada combustible mientras la unidad está en funcionamiento o caliente.** Permita que el motor se enfríe totalmente antes de añadir combustible.
- **Nunca llene el depósito de combustible en interiores.** Cumpla con todas las leyes que regulan el almacenamiento y el manejo de la gasolina.
- **No sobrellene el depósito de combustible. Siempre deje espacio para la dilatación del combustible.** Si se sobrellena el depósito, el combustible puede desbordarse sobre el motor caliente y causar un INCENDIO o una EXPLOSIÓN. Nunca almacene el generador con combustible en el depósito donde los vapores de gasolina pueden llegar a una llama abierta, una chispa o un piloto (como en un horno, calentador de agua o un secadora de ropa). Puede suceder un INCENDIO o una EXPLOSIÓN. Permita que la unidad se enfríe totalmente antes de almacenarla.
- Limpie los derrames de combustible o aceite inmediatamente. Asegúrese de que no se dejen materiales combustibles sobre o cerca del generador. Mantenga el área alrededor del generador limpia y libre de desechos y deje un espacio de cinco (5) pies a cada lado para permitir la adecuada ventilación del generador.
- No inserte objetos a través de las ranuras de enfriamiento de la unidad.

- **No** opere el generador si los dispositivos eléctricos conectados se recalientan, si se pierde la corriente de salida, si el motor o el generador generan chispas o si se observan llamas o humo mientras la unidad está en funcionamiento.
- Tenga un extintor cerca del generador en todo momento.

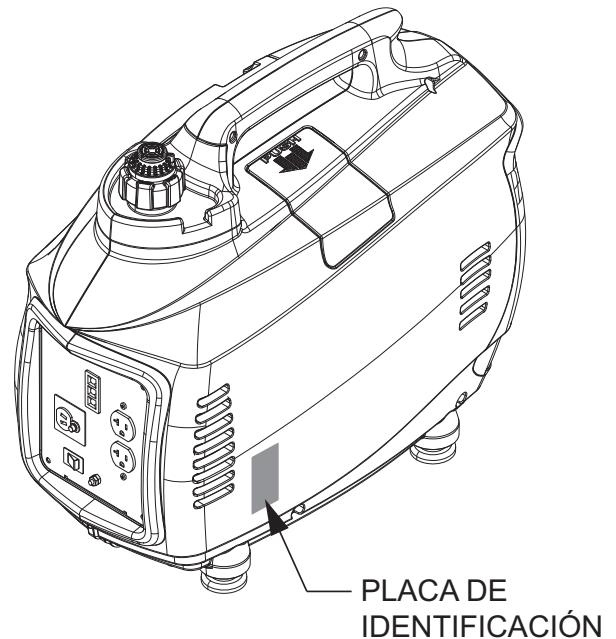
ÍNDICE DE NORMAS

1. Asociación nacional de protección contra incendios (NFPA) 70: El CÓDIGO ELÉCTRICO NACIONAL (NEC) disponible en www.nfpa.org
2. Asociación nacional de protección contra incendios (NFPA) 5000: CÓDIGO DE EDIFICACIÓN Y SEGURIDAD disponible en www.nfpa.org
3. El Código internacional de la construcción disponible en www.iccsafe.org
4. Manual de Cableado Agrícola disponible en www.nerc.org , Consejo de Recursos de Electricidad Rural P.O. Box 309 Wilmington, OH 45177-0309
5. ASAE EP-364.2 Instalación y mantenimiento de energía eléctrica de respaldo en granjas disponible en www.asabe.org, Sociedad Americana de Ingenieros Agrícolas y Biológicos 2950 Niles Road, St. Joseph, MI 49085.

Esta lista no es inclusiva. Verifique con la Autoridad con jurisdicción local (AHJ) cualesquiera códigos locales o normas que puedan ser aplicables a su jurisdicción.

N.º DE MODELO:	
N.º DE SERIE:	

Figura 1 - Placa de identificación del generador



ESPECIFICACIONES

1600 VATIOS

Tipo de motor	Un cilindro, 4 tiempos
Tamaño del motor	99 cc
Tipo de arrancador	Retroceso
Capacidad de combustible/Tipo	0,69 galones (2,6 L)/Sin plomo
Capacidad de aceite	0,63 Cuartos de galón (0,6 L)
Tiempo de operación a 25% de carga	5,7 Horas
Tipo de bujía	NGK BPR7HS
Separación entre bujías	0,030"
Dimensiones Largo x Ancho x Alto (pulg.)	22 x 12 x 18
Peso Lb/kg	43,5/19,7
Salida Máxima de CA	1600 W
Salida de sobretensión de CA	1650 W
Voltios de CA	120 VCA
Corriente nominal de CA	13,3 A
Frecuencia	60 Hz
Distorsión armónica total	3,0%
Tipo de aislamiento	Clase B
Tomacorrientes	(2) 5-15R, (1) 12 VCD
Voltios de CD	12 VCD
Corriente nominal de CD	5 A

2000 VATIOS (49 ESTADO)

Tipo de motor	Un cilindro, 4 tiempos
Tamaño del motor	127 cc
Tipo de arrancador	Retroceso
Capacidad de combustible/Tipo	0,85 galones (3,2 L)/Sin plomo
Capacidad de aceite	0,63 Cuartos de galón (0,6 L)
Tiempo de operación a 25% de carga	5,3 Horas
Tipo de bujía	NGK BPR6ES
Separación entre bujías	0,030"
Dimensiones Largo x Ancho x Alto (pulg.)	22 x 12 x 18
Peso Lb/kg	49,6/22,5
Salida Máxima de CA	2000 W
Salida de sobretensión de CA	2200 W
Voltios de CA	120 VCA
Corriente nominal de CA	16,7 A
Frecuencia	60 Hz
Distorsión armónica total	3,0%
Tipo de aislamiento	Clase B
Tomacorrientes	(2) 5-20R, (1) 12 VCD
Voltios de CD	12 VCD
Corriente nominal de CD	5 A

NOTA:

La energía generada y el tiempo de operación son influenciados por muchos factores, algunos de los cuales son la calidad del combustible, la temperatura ambiente y la condición del motor. La corriente de salida disminuye aproximadamente en 3,5% por cada 1.000 pies sobre el nivel del mar y en 1% por cada 10 grados sobre 60° F.

2000 VATIOS (50 ESTADO)

Tipo de motor	Un cilindro, 4 tiempos
Tamaño del motor	127 cc
Tipo de arrancador	Retroceso
Capacidad de combustible/Tipo	0,82 galones (3,1 L)/Sin plomo
Capacidad de aceite	0,63 Cuartos de galón (0,6 L)
Tiempo de operación a 25% de carga	4,7 Horas
Tipo de bujía	NGK BPR6ES
Separación entre bujías	0,030"
Dimensiones Largo x Ancho x Alto (pulg.)	22 x 12 x 18
Peso Lb/kg	49,6/22,5
Salida Máxima de CA	2000 W
Salida de sobretensión de CA	2200 W
Voltios de CA	120 VCA
Corriente nominal de CA	16,7 A
Frecuencia	60 Hz
Distorsión armónica total	3,0%
Tipo de aislamiento	Clase B
Tomacorrientes	(2) 5-20R, (1) 12 VCD
Voltios de CD	12 VCD
Corriente nominal de CD	5 A

INFORMACIÓN DE LAS EMISIONES

La Agencia de Protección Ambiental de los EE. UU. (EPA) (y la Junta de Recursos del Aire de California [CARB] para los generadores certificados conforme a las normas de California) requieren que este generador cumpla las normas de emisiones de escape y evaporación. Localice la etiqueta adhesiva sobre cumplimiento de las normas referidas a emisiones colocada sobre el motor para determinar qué normas satisface el generador, y para determinar qué garantía corresponde. Este generador cuenta con certificación para funcionar con gasolina. El sistema de control de emisiones incluye los siguientes componentes (de tenerlos):

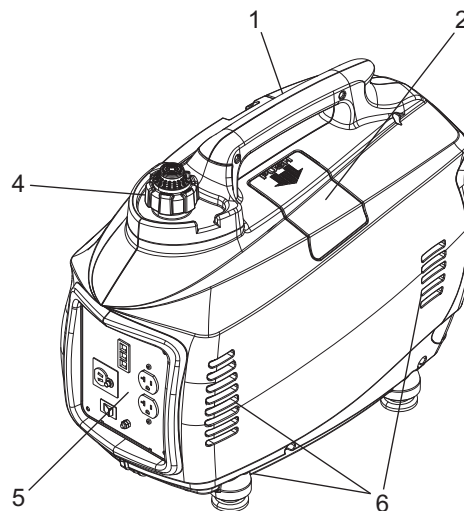
- Sistema de inducción de aire
 - Tubo/colector de admisión
 - Filtro de aire
- Sistema de combustible
 - Carburador
 - Tanque/tapa de combustible
 - Tuberías de combustible
 - Tuberías de ventilación de evaporación
 - Cartucho de carbón
- Sistema de encendido
 - Bujía
 - Módulo de encendido
- Sistema de escape
 - Colector de escape
 - Silenciador
 - Válvula de aire por impulsos
 - Catalizador

IDENTIFICACIÓN DE LA UNIDAD

(Figura 2)

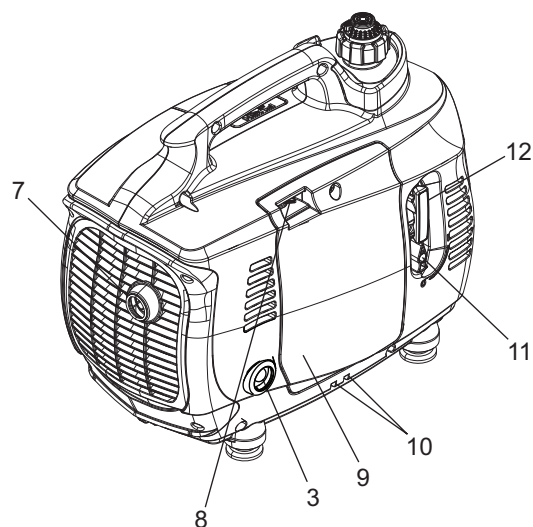
1. Agarradera: Levante el generador sólo por esta agarradera.
2. Cubierta de la bujía: Permite tener acceso a la bujía del motor.
3. Bombilla del cebador: Utilizado para cebar el sistema de combustible para el arranque.
4. Tapón del depósito de combustible: Acceso al depósito de combustible para llenarlo.
5. Panel de control: ubicación de los controles del generador y de los receptáculos de salida.
6. Rejillas de la toma de aire: Permite la entrada de aire de enfriamiento al alojamiento.
7. Silenciador: Reduce el nivel de ruido del escape del motor (incluye el supresor de chispas).
8. Ahogador: Ayuda para arranque del motor en frío.
9. Cubierta de servicio del lado izquierdo: Permite el acceso al filtro de aire, al filtro de combustible y al llenado de aceite.
10. Mangueras de ventilación: Las mangueras permiten la ventilación del carburador.
11. Cierre de combustible: Controla el suministro de combustible hacia el carburador.
12. Cuerda del arrancador: Tire de la cuerda para arrancar el motor.

Figura 2 - Identificación de la unidad



PANEL DE CONTROL (Figura 3)

13. LUZ INDICADORA DE NIVEL DE ACEITE BAJO (amarilla): Se enciende cuando el nivel de aceite está debajo del nivel seguro de operación, y el motor se apaga.
14. LUZ INDICADORA DE SOBRECARGA (roja): Esta luz indicadora indica una sobrecarga del sistema. Esta luz indicadora debe ser usada junto con la luz indicadora Listo la que centelleará intermitentemente un código de error, ver No. 15.
15. LUZ INDICADORA LISTO (verde): Indica que el generador tiene corriente de salida, a menos que haya una condición de bajo nivel de aceite o de sobrecarga. En el caso de una sobrecarga del sistema, la luz indicadora Listo dará una indicación de condición de sobrecarga. La indicación consiste de una serie de destellos separados por una pausa. Estas indicaciones son como sigue:
 - 1 destello = Voltaje bajo. La unidad ha sido sobrecargada al punto donde el voltaje de salida ha caído a menos de 100V AC.
 - 2 destellos = Alta temperatura del sistema del inversor. La unidad ha sido sobrecargada al punto donde la temperatura interna ha superado los 212° F.
 - 3 destellos = Sobrecarga. La unidad ha sido sobrecargada al punto en que la energía de salida requerida ha superado el 110% de la energía nominal.
 - 4 destellos = Corto circuito. Esto indica que la salida de la unidad ha sido cortocircuitada por la carga conectada a la unidad.

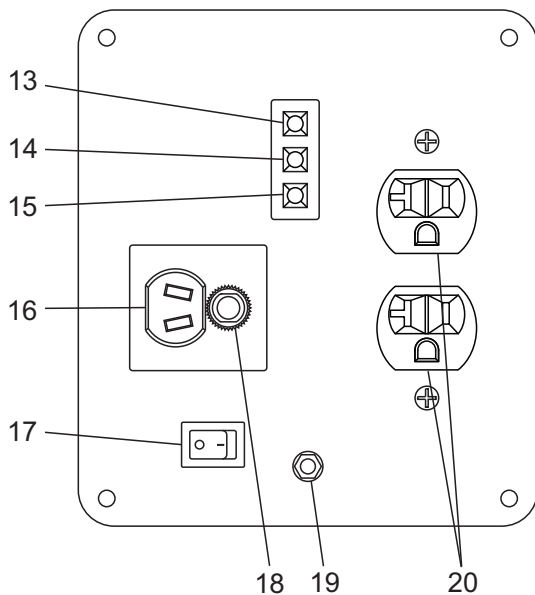


16. Clavija de 12 VCD: Conexión para recargar las baterías tipo automotriz de 12VCD mientras el generador está en operación.
17. Interruptor FlexPower™: Este interruptor reduce la velocidad del motor cuando la carga se reduce para ahorrar combustible y desgaste del motor.
18. Disyuntor de circuito de 12 VCD: Protección contra sobrecarga para el sistema de carga de 12 VCD
19. Oreja de conexión a tierra (Tierra): Punto de conexión a tierra para el generador; consulte los códigos eléctricos locales y estatales antes de usarla (tierra flotante).
20. Receptáculos de 120 VCA: Dos (2) receptáculos para conectar dispositivos eléctricos.

NOTA:

No exceda la salida nominal del generador.

Figura 3 - Panel de control



VERIFICACIÓN ANTES DE ARRANCAR

Antes de arrancar el generador y de añadir cargas, realice lo siguiente:

1. Asegúrese de que el generador esté en una superficie firme, nivelada e ignífuga con un espacio de por lo menos cinco (5) pies a cada lado.

⚠ PELIGRO

⚠ ¡Nunca lo use en un área cerrada o en interiores! ¡NUNCA lo utilice en el hogar, en un vehículo, ni en áreas parcialmente cerradas como garajes, incluso si las puertas y las ventanas están abiertas! Utilícelo SOLAMENTE al aire libre y lejos de las ventanas abiertas, puertas, respiraderos, y en un área que no acumule los mortales gases de escape.

⚠ Los gases de escape del motor contiene monóxido de carbono, que no se puede ver ni oler. Este gas venenoso, si es inhalado en concentraciones altas, puede causar inconsciencia o incluso la muerte.

⚠ El flujo adecuado y sin obstrucciones del aire de enfriamiento y de ventilación es esencial para el correcto funcionamiento del generador. No modifique la instalación ni permita algún bloqueo, incluso parcial, de los componentes de la ventilación, puesto que esto puede afectar seriamente la operación segura del generador. El generador SE DEBE poner en funcionamiento al aire libre.

⚠ Este sistema de escape debe recibir el mantenimiento correcto. No haga nada que pueda hacer que el sistema de escape sea inseguro o que no cumpla con los códigos o normas locales.

⚠ El fabricante recomienda instalar una alarma a pilas para detección del monóxido de carbono en los interiores, siguiendo las instrucciones del fabricante.

⚠ NUNCA lo utilice en el hogar, ni en áreas parcialmente cerradas como garajes, casas rodantes o remolques. Utilícelo SOLAMENTE al aire libre y lejos de ventanas abiertas, puertas y respiraderos.

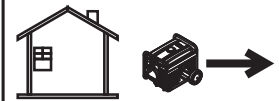
⚠ PELIGRO

Si usa un generador en interiores, MORIRÁ EN POCOS MINUTOS.

El escape del generador contiene monóxido de carbono. Es un veneno que no tiene olor ni se puede ver.



NUNCA lo use dentro de una casa o garaje, AUN si las puertas y ventanas están abiertas.



Sólo úselo EN EXTERIORES y lejos de ventanas, puertas y ductos de ventilación.

2. Quite el tapón del combustible y compruebe el nivel de gasolina. Si se necesita combustible, vea la sección "CARGAR COMBUSTIBLE AL GENERADOR".
3. Quite la cubierta de servicio del lado izquierdo y compruebe el nivel de aceite quitando el tapón de llenado de aceite. El nivel de aceite debe estar en la parte inferior de las roscas en el tubo de llenado de aceite. Si se necesita aceite, vea la sección "CÓMO RELLENAR ACEITE AL MOTOR".
4. Vuelva a colocar la cubierta de servicio del lado izquierdo y asegúrela.
5. Asegúrese de que no haya cargas conectadas al generador.
6. El Código Eléctrico Nacional (NEC por su sigla en inglés) requiere que el marco y las partes conductoras del exterior del generador estén conectadas correctamente a una tierra aprobada. Poner a tierra adecuadamente el generador evitará descargas eléctricas en caso de fallas a tierra del generador o de los dispositivos eléctricos conectados. Una tierra adecuada también ayuda a disipar la electricidad estática, que a menudo se acumula en los dispositivos sin protección.
7. Los códigos eléctricos locales pueden también requerir que el generador se ponga a tierra adecuadamente.

⚠ CUIDADO

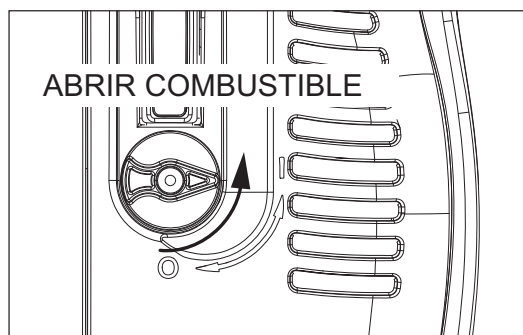
⚠ Arrancar el generador con los accesorios conectados a los tomacorrientes de 120 VCA dañará el generador y los accesorios conectados.

CÓMO ARRANCAR EL GENERADOR

Una vez que se haya comprobado los niveles de combustible y aceite, y que se haya verificado que no hay dispositivos eléctricos conectados, el generador puede ser arrancado. Apague el interruptor FlexPower (O).

1. Abra la válvula del combustible (Figura 4), situada debajo de la cuerda del arrancador, girándola 90° a la izquierda, a la posición "ON" (I).
2. Localice la bombilla del cebador (Ver Figura 5). Lentamente, presione por completo la bombilla del cebador y libere. Deje que la bombilla del cebador regrese a su estado original. Repita esto seis (6) veces más.
3. Si el motor está frío o no se ha puesto en funcionamiento por algún tiempo, enganche el ahogador moviendo la palanca del ahogador hacia la derecha (Figura 6).
4. Sujete la manija de la cuerda del arrancador y apoye su otra mano contra el generador. Hale la cuerda lentamente hasta que se sienta resistencia, luego hale la cuerda rápidamente hasta tres (3) veces.
5. Si el motor no arranca, repita los pasos 2-4 hasta que el motor arranque y comience a funcionar.

Figura 4 - Válvula del combustible



6. Ajuste cuidadosamente el ahogador aproximadamente a la posición media hasta que el motor comience a funcionar suavemente, después mueva la palanca completamente a la izquierda (Figura 6).
7. Asegúrese de que la parte inferior del generador no esté bloqueada con arena, hojas, hierba, etc. puesto que los respiraderos de enfriamiento se localizan en la parte inferior de la unidad.

Figura 5 - Cebado del sistema de combustible

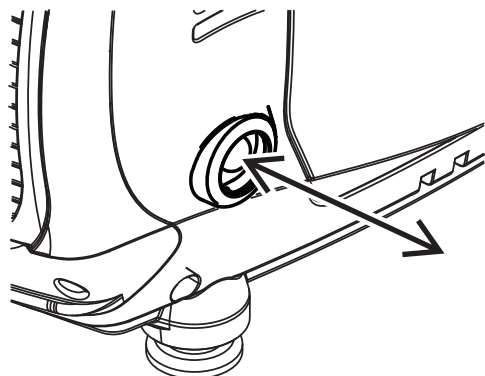
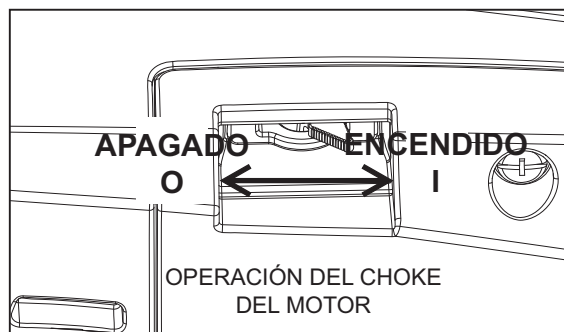


Figura 6 - Ajuste del ahogador



CÓMO AGREGAR CARGAS

Una vez que el generador funcione suavemente por 2-3 minutos, los dispositivos eléctricos se pueden enchufar.

⚠ ADVERTENCIA

No use cables eléctricos gastados, pelados, quemados o dañados de alguna otra forma con el generador. No manipule ningún tipo de dispositivo eléctrico mientras esté parado en agua, mientras esté descalzo, o mientras tenga las manos o los pies mojados.

1. Hay dos tomacorrientes dobles de 120 VCA a tierra en el frente del generador.
2. NO sobrecargue el generador; si las luces indicadoras rojas de "sobrecarga" se encienden y los dispositivos conectados al generador dejan de funcionar, pare el motor y reduzca la carga del generador. Vuelva a comenzar y aplique menos cargas.
3. Consulte la tabla siguiente para estimar qué se puede alimentar con el generador.

Dispositivo	Vatios de operación
*Aire acondicionado (12.000 BTU)	1700
*Aire acondicionado (24.000 BTU)	3800
*Aire acondicionado (40.000 BTU)	6000
Cargador de batería (20 Amperios)	500
Lijadora de banda (3")	1000
Moto sierra	1200
Cierra circular (6-1/2")	800 a 1000
*Secadora de ropa (Eléctrica)	5750
*Secadora de ropa (Gas)	700
*Lavadora de ropa	1150
Cafetera	1750
*Compresor (1/2 HP)	2000
*Compresor (3/4 HP)	1800
*Compresor (1/2 HP)	1400
Plancha para cabello	700
*Deshumidificador	650
Lijadora de banda (9")	1200
Desbrozadora	500
Manta Eléctrica	400
Clavadora eléctrica	1200

Operación

Parrilla eléctrica (por elemento)	1500
Sartén eléctrica	1250
*Congelador	700
*Ventilador de horno (3/5 HP)	875
*Dispositivo de apertura de puerta de garaje	500 a 750
Secadora para cabello	1200
Taladro de mano	250 a 1100
Cortadora de setos	450
Llave de impacto	500
Plancha	1200
*Bomba de chorro a presión	800
Podadora	1200
Bombilla eléctrica	100
Horno de microondas	700 a 1000
*Enfriador de leche	1100
Quemador de aceite en horno	300
Calentador de espacios de aceite (140.000 BTU)	400
Calentador de espacios de aceite (85.000 BTU)	225
Calentador de espacios de aceite (30.000 BTU)	150
*Pistola pulverizadora, sin aire (1/3 HP)	600
Pistola pulverizadora, sin aire (portátil)	150
Radio	50 a 200
*Refrigerador	700
Olla eléctrica de cocción lenta	200
*Bomba sumergible (1-1/2 HP)	2800
*Bomba sumergible (1 HP)	2000
*Bomba sumergible (1/2 HP)	1500
*Bomba de sumidero	800 a 1050

* Considere tres (3) veces los vatios de operación mencionados para arrancar estos dispositivos.

NOTA:

Quando se arranca un motor eléctrico, la luz indicadora de "SOBRECARGA" puede encenderse por hasta cinco (5) segundos (esto es normal). Si permanece encendida, ha ocurrido una falla. Desenchufe todos los dispositivos y apague el generador para restablecer la alarma. Vuelva a arrancar el generador. Si la luz indicadora "SOBRECARGA" permanece encendida, contáctese con un Distribuidor Autorizado de Generac para obtener ayuda.

CÓMO USAR EL INTERRUPTOR FLEXPOWER™


Quando los accesorios conectados al generador van a ser utilizados intermitentemente (por ejemplo, un taladro de mano), el interruptor FlexPower™ se puede presionar a la posición "ON" (I). Esto reducirá la velocidad del motor del generador cuando no hay cargas, ahorrando combustible, reduciendo el desgaste del motor, el ruido, y prolongando el tiempo de operación.


CÓMO USAR EL CARGADOR DE BATERÍA DE 12 VCD


El receptáculo de 12 VCD puede ser usado para recargar las baterías de automóviles solamente. La salida de carga de CD no está regulada. El protector del circuito no evita sobrecargar una batería.

1. Conecte el cable de carga al generador primero, después a la batería, conectando SIEMPRE el cable rojo al positivo (+) y el negro al negativo (-).

⚠ PELIGRO

 No permita fumar, llamas abiertas, chispas o ninguna otra fuente de calor alrededor de una batería. Use gafas protectoras, delantal de hule y guantes de hule al trabajar cerca de una batería. El líquido electrolítico de una batería es una solución de ácido sulfúrico extremadamente corrosiva que puede ocasionar quemaduras graves. Si ocurre un derrame, lave el área con agua limpia inmediatamente.

 Las baterías almacenadas despiden gas de hidrógeno explosivo mientras se recargan. Una mezcla de gas explosivo permanecerá alrededor de la batería durante mucho tiempo después de que se haya cargado. La chispa más leve puede encender el hidrógeno y causar una explosión. Tal explosión puede romper la batería y causar ceguera u otra lesión grave.

 NUNCA invierta la polaridad al conectar los terminales de la batería al enchufe hembra de carga. El generador y la batería pueden dañarse gravemente.

2. Mantenga el interruptor FlexPower™ en la posición "OFF" (O).
3. Arranque el generador y utilícelo normalmente. El tiempo de carga dependerá del tamaño y de la condición de la batería. Compruebe el voltaje de los terminales de la batería una vez que se haya desenchufado el cable de carga, o se haya apagado el generador.

NOTA:

Este receptáculo no puede recargar baterías de 6-Voltios y no se puede utilizar para arrancar un motor que tiene una batería descargada.

CÓMO APAGARLO

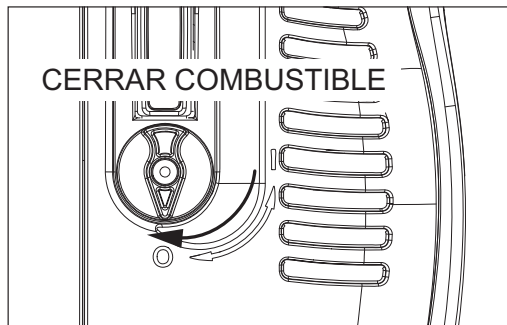
Quando el generador ya no se necesita, puede apagarse.

1. Apague cualquier dispositivo eléctrico conectado al generador. Desenchufe todos los cables de los tomacorrientes dobles de 120 VCA o del tomacorriente de 12 VCD.
2. Gire la válvula del combustible a la posición "OFF" (O) (Figura 7). Un interruptor detrás de la válvula del combustible pone a tierra el sistema de ignición, parando el motor y cerrando el suministro de combustible.
3. Cierre el respiradero en el tapón del combustible.
4. Permita que el generador se enfríe antes de moverlo o almacenarlo.

⚠ CUIDADO

⚠ Siempre permita que el generador se enfríe antes de almacenarlo. Habrá temperaturas altas en la parte posterior de la unidad por algún tiempo después de apagarlo.

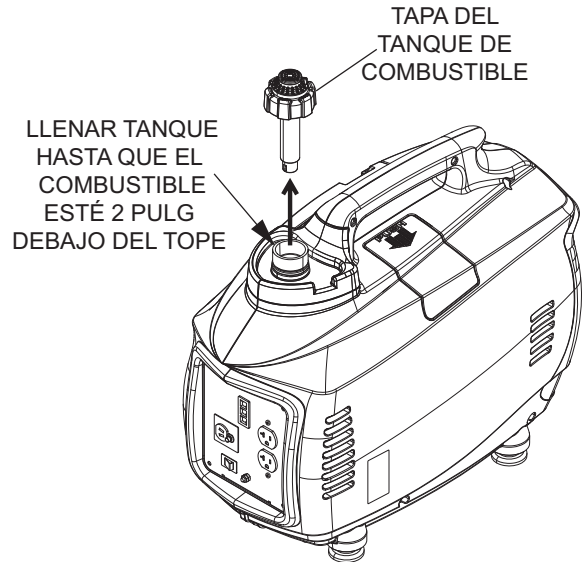
Figura 7 - Cierre del combustible



PARA LLENAR EL DEPÓSITO DE COMBUSTIBLE

1. Quite el tapón del depósito de combustible.

Figura 8 - Tapón del depósito de combustible



2. Añada el combustible lentamente, dejando un espacio de dos (2) pulgadas debajo del cuello de la boca de llenado.
3. Vuelva a colocar el tapón del depósito de combustible. Asegúrese de que la válvula en el tapón del combustible esté en la posición "OFF".
4. Si el generador va a ser arrancado, consulte la sección "CÓMO ARRANCAR EL GENERADOR" para obtener instrucciones adicionales sobre cómo cebar el sistema de combustible.

PARO POR BAJO NIVEL DE ACEITE

Este generador incluye un sistema de paro por bajo nivel de aceite. Si el nivel de aceite en el cárter del motor cae debajo de un nivel predeterminado, el motor se detendrá automáticamente y la luz indicadora "BAJO NIVEL DE ACEITE" se encenderá.

Quite la Cubierta de Servicio del Lado Izquierdo y compruebe el nivel de aceite del motor. Agregue o drene aceite según sea necesario. Consulte la sección "CÓMO AGREGAR ACEITE DEL MOTOR".

CÓMO CARGAR COMBUSTIBLE AL GENERADOR

Tenga cuidado al cargar combustible al generador. Solamente llene el depósito de gasolina cuando el generador se haya enfriado totalmente. Utilice gasolina sin plomo nueva con un octanaje mínimo de 87

NOTA:

No utilice ninguna gasolina que contenga más del 10% de etanol. **NUNCA** llene el depósito de gasolina con E85 o con una mezcla de aceite y gasolina para motores de dos tiempos.

⚠ PELIGRO

NO encienda un cigarrillo ni fume al llenar el depósito de gasolina.

⚠ La gasolina es altamente INFLAMABLE y sus vapores son EXPLOSIVOS. No permita fumar, llamas abiertas, chispas o calor a su alrededor mientras trabaja con la gasolina.

⚠ Nunca llene el depósito de combustible en interiores. Nunca llene el depósito de combustible cuando el motor esté en marcha o caliente. Evite derramar gasolina en un motor caliente. Permita que el motor se enfríe totalmente antes de llenar el depósito de combustible.

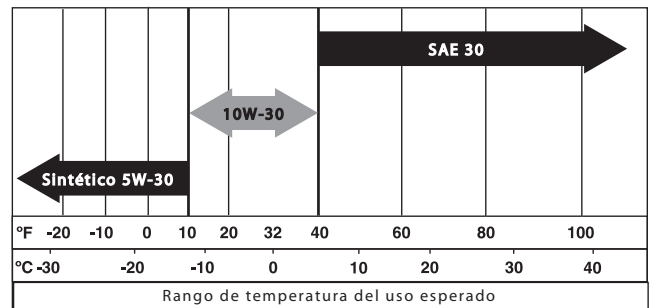
⚠ No sobrellene el depósito de combustible. Siempre deje espacio para la dilatación del combustible. Si se sobrellena el depósito, el combustible puede desbordarse sobre el motor caliente y causar un INCENDIO o una EXPLOSIÓN. ¡Limpie inmediatamente los derrames de combustible!

CÓMO AGREGAR ACEITE AL MOTOR

Todo el aceite debe cumplir por lo menos con la Clase de Servicio SJ, SL o mejor del Instituto del Petróleo Norteamericano (API por su sigla en inglés). No utilice aditivos del mercado de refacciones.

Seleccione el grado de viscosidad del aceite de acuerdo con la temperatura de funcionamiento esperada, sólo se necesita un poco más de la mitad de un cuarto de galón.

- Sobre 40° F, utilice SAE 30
- Debajo de 40° F a 10° F, utilice 10W-30
- Debajo de 10° F, utilice 5W-30 sintético



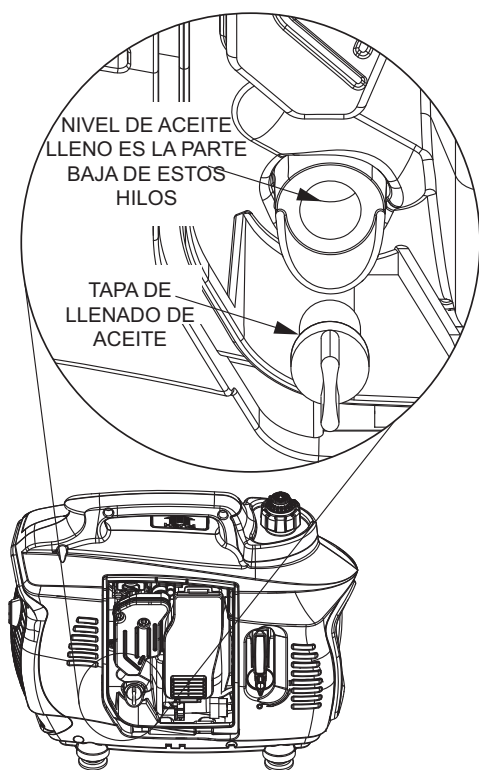
PARA AÑADIR ACEITE DE MOTOR AL CÁRTER DEL MOTOR

1. Ponga la unidad en una superficie firme y nivelada.
2. Quite la Cubierta de Servicio del Lado Izquierdo.
3. Quite el tapón de llenado del aceite situado en la parte inferior del cárter del motor.
4. Añada el aceite de motor recomendado lentamente, parando con frecuencia para comprobar el nivel. El nivel máximo de llenado es en la base de la rosca en el cuello de la boca de llenado. ¡NO SOBRELLENE!
5. Vuelva a colocar el tapón de llenado de aceite y apriételo.
6. Siempre compruebe el nivel de aceite antes de arrancar el motor del generador.

⚠ CUIDADO

⚠ **NO sobrellene el cárter del motor con aceite. Puede generarse alta presión del aceite, causando desgaste del motor y daños prematuros.**

Figura 9 - Boca de llenado del aceite



MANTENIMIENTO DEL GENERADOR

El cuidado apropiado asegurará un máximo rendimiento de su generador. El mantenimiento del generador consiste en mantener la unidad limpia y seca. Opere y almacene la unidad en un ambiente seco y limpio donde no esté expuesta a mucho polvo, suciedad, humedad o a ningún vapor corrosivo.

Las ranuras del aire de enfriamiento del generador no deben quedar bloqueadas con nieve, hojas o algún otro material extraño.

Compruebe la limpieza del generador con frecuencia y límpielo cuando haya polvo, suciedad, aceite, humedad u otras sustancias extrañas visibles en la superficie exterior.

NOTA:

Nunca inserte ningún objeto o herramienta a través de las ranuras de enfriamiento por aire, incluso si el motor no está en funcionamiento.

NOTA:

NO utilice una manguera de jardín para limpiar el generador. El agua puede entrar en el sistema de combustible del motor y ocasionar problemas. Además, si el agua entra en el generador a través de las ranuras del aire de enfriamiento, un poco de agua permanecerá en huecos y hendiduras del aislamiento del devanado del rotor y del estator. La acumulación de agua y suciedad en los devanados internos del generador disminuirá eventualmente la resistencia del aislamiento de estos devanados.

PROGRAMA DE MANTENIMIENTO DEL GENERADOR

Siga el programa de servicio recomendado; para pedir piezas de repuesto, llame al 1-888-436-3722.

	Cada uso	Cada 100 horas	Cada 6 meses	Cada año
Nivel de combustible	X			
Nivel de aceite	X			
Compruebe el filtro de aire	X			
*Cambie el aceite del motor		X		
**Limpie el filtro de aire		X		
Compruebe la bujía			X	
Compruebe el silenciador			X	
Inspección y limpieza del supresor de chispas				X
Reemplace la bujía				X
Reemplace el filtro de combustible				X
* Realice el cambio de aceite inicial después de las primeras cinco (5) horas de operación				
** Limpie el filtro de aire más a menudo si está funcionando en condiciones de polvo o arena. Reemplace cuando sea necesario.				

LIMPIEZA DEL GENERADOR

1. Utilice un paño húmedo para limpiar las superficies exteriores.
2. Un cepillo de cerda suaves se puede utilizar para aflojar la suciedad apelmazada, el aceite, etc.
3. Una aspiradora se puede utilizar para recoger suciedad y desechos sueltos.
4. Puede usarse aire de baja presión (sin exceder 25 PSI) para soplar la suciedad. Revise las ranuras y aberturas del aire de enfriamiento del generador. Estas aberturas se deben mantener limpias y sin obstrucciones.
5. Examine las mangueras de ventilación en el lado izquierdo del generador. Asegúrese de que las mangueras salgan a través de las ranuras debajo de la puerta y que los extremos estén abiertos y libres de desechos.

MANTENIMIENTO DEL MOTOR

⚠️ CUIDADO

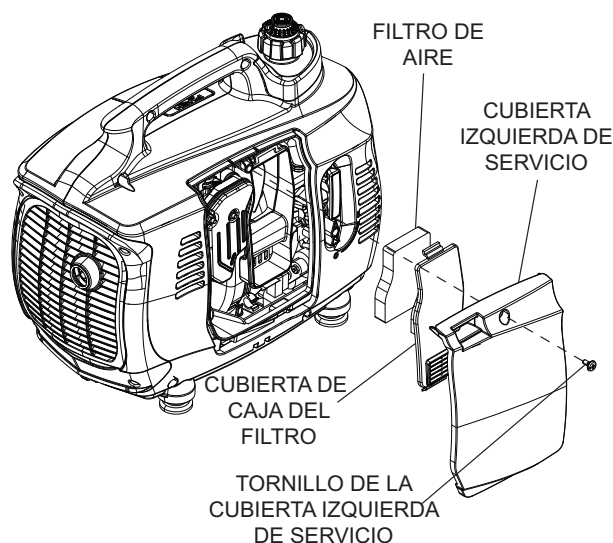
⚠️ Trabaje solamente en un generador que se ha enfriado totalmente.

Revise el nivel del aceite y la condición del filtro de aire cada vez que vaya a utilizar el generador. Para revisar el filtro de aire y el nivel de aceite, la cubierta de servicio del lado izquierdo debe quitarse, usando un destornillador para aflojar y quitar los tornillos que sujetan la cubierta.

El filtro de aire está situado detrás de una cubierta para la caja de aire (Figura 10). Empuje la lengüeta en la parte inferior de la caja de aire hacia arriba para liberar la cubierta. Para dar servicio al filtro de aire:

1. Quite el filtro de aire. Golpee ligeramente el elemento para sacudir las partículas grandes.
2. Lave el elemento en agua jabonosa. Seque el filtro exprimiéndolo con un paño limpio (NO LO TUERZA).
3. Empape el elemento filtrante en aceite de motor limpio. Exprima el aceite excedente del filtro, dejando una capa ligera.
4. Limpie el alojamiento y la cubierta del filtro de aire antes de volver a colocar el elemento filtrante.

Figura 10 - Filtro de aire



CAMBIO DEL ACEITE DE MOTOR

⚠️ CUIDADO

⚠️ El aceite caliente puede ocasionar quemaduras. Permita que el motor se enfríe totalmente antes de drenar el aceite. Evite la exposición prolongada o repetida de la piel con el aceite usado. Lave a fondo las áreas expuestas con jabón.

Cambie el aceite del motor después de las primeras cinco (5) horas de operación. Después, cambie el aceite del motor cada 100 horas. Para cambiar el aceite del motor:

1. Ponga el generador en funcionamiento por un periodo breve para calentar el aceite; esto también aflojará los sedimentos en el motor y hará que el aceite fluya más fácilmente.

⚠️ CUIDADO

⚠️ Cambie el aceite solamente cuando el nivel de combustible en el depósito esté bajo o casi vacío. Inclinarse el generador con un depósito de combustible lleno puede ocasionar una fuga de combustible.

2. Coloque el generador sobre una charola de recolección y quite el tapón de drenado. Incline el generador sobre un costado para drenar el aceite usado del cárter del motor.

NOTA:

Para facilitar el drenado del aceite, se puede colocar una manguera de vinilo (PVC) de 6" de largo y con un diámetro interior de 1,25" (32 mm) sobre el labio del drenaje.

3. Enderece el generador una vez que el aceite se haya drenado. Remplace el aceite de motor con el grado apropiado indicado en la Sección "CÓMO AGREGAR ACEITE DE MOTOR", después vuelva a colocar el tapón de drenado.

CAMBIO DEL FILTRO DE COMBUSTIBLE

Localice el filtro de combustible, justo debajo del alojamiento de la toma del motor (Figura 11). Asegúrese de que el Cierre de Combustible esté en la posición "OFF" (O).

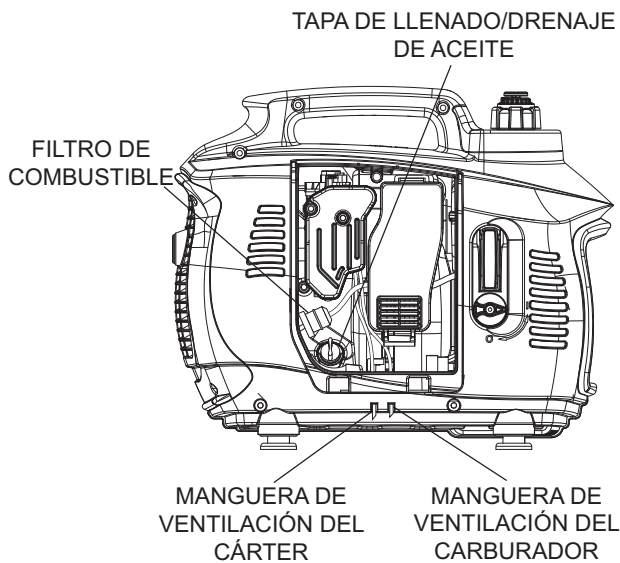
1. Quite las abrazaderas de presión que aseguran el filtro de combustible. Hale las mangueras para quitarlas.

⚠️ ADVERTENCIA

⚠️ ¡Limpie inmediatamente los derrames de combustible! ¡No fume ni cambie el filtro de combustible cerca de chispas o llamas abiertas!

2. Remplace el filtro usado por uno nuevo. Empuje las mangueras de combustible dentro de las conexiones dentadas del filtro hasta que se asienten totalmente.
3. Remplace las abrazaderas, asegurándose de que asientan en las conexiones.

Figura 11 - Filtro de combustible



TRANSPORTE Y ALMACENAMIENTO

Transporte o almacene el generador solamente si se ha enfriado totalmente. Asegúrese de que la válvula del combustible y el respiradero en el tapón del combustible estén en la posición OFF ("O").

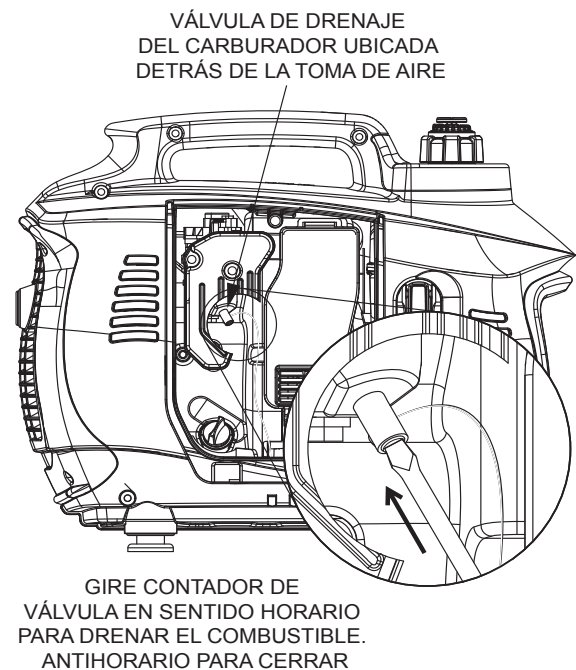
Es importante evitar que se formen depósitos de goma en las piezas esenciales del sistema de combustible tales como el carburador, la manguera de combustible o el depósito durante el almacenamiento por periodos largos. También, la experiencia demuestra que los combustibles con mezclas de alcohol (llamados Gasohol, etanol o metanol) pueden atraer humedad, lo que genera separación y la formación de ácidos; estos ácidos en el combustible pueden dañar el sistema de combustible de un motor durante el almacenamiento.

Para evitar problemas del motor, se recomienda el uso de un estabilizador comercial de combustible antes del almacenamiento. Siga las instrucciones del fabricante al añadir el estabilizador de combustible.

Si el generador va a ser almacenado por más de seis (6) meses, el generador debe ser preparado como sigue:

1. Quite toda la gasolina del depósito de combustible.
2. Arranque y haga funcionar el motor hasta que se pare por falta de combustible o abra la válvula en la cuba del carburador (Figura 13), y permita que la gasolina escurra por el tubo hasta un receptáculo. Deseche apropiadamente. Asegúrese de cerrar la válvula una vez que la gasolina se haya drenado.

Figura 13 - Válvula de drenado del carburador

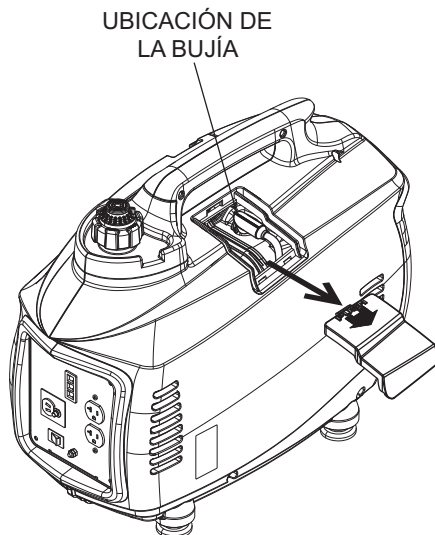


CAMBIO DE LA BUJÍA

Reemplace la bujía cada año, sin importar cuántas horas ha funcionado el generador. Use una bujía NGK BPR7HS que haya sido espaciada a 0,030" (0,76mm). Para substituir la bujía:

1. Quite la cubierta de la bujía en el lado superior derecho del generador, justo debajo de la agarradera (Figura 12).
2. Hale cuidadosamente el cable de la bujía. Utilice una llave de dado para quitar la bujía.
3. Instale la nueva bujía en el cabezal del cilindro. Apriete la bujía a 15 ft/lb.
4. Vuelva a colocar el cable de la bujía, asegurándose de que quede asentado completamente.
5. Vuelva a colocar la cubierta de la bujía.

Figura 12 - Reemplazo de la bujía



3. Mientras el motor todavía está caliente, drene el aceite del cárter del motor. Reemplace con el grado recomendado.
4. Quite las bujías y vierta cerca de 1/2 onza (15 ml) de aceite de motor en los cilindros. Cubra el agujero de la bujía con un trapo. Tire de la cuerda del arrancador varias veces para recubrir las paredes del cilindro con aceite de motor.
5. Instale y apriete la bujía.

6. Limpie las superficies externas del generador. Compruebe que las ranuras y aberturas del aire de enfriamiento en el generador estén abiertas y sin obstáculos.

7. Almacene la unidad en un lugar limpio y seco.

No almacene la gasolina de una estación a otra.

Si es posible, almacene la unidad en interiores y cúbrala para protegerla contra el polvo y la suciedad.

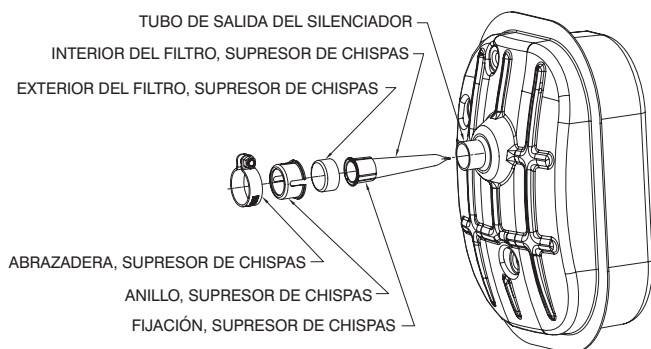
LIMPIEZA DEL TAMIZ DEL SUPRESOR DE CHISPAS (50 ESTADO)

El silenciador del escape del motor tiene un filtro supresor de chispas. Inspeccione y limpie el filtro cada 50 horas de operación o una vez al año, lo que suceda primero.

Limpie e inspeccione el supresor de chispas como sigue:

- Retire el retenedor del filtro retirando la abrazadera del retenedor.
- Deslice el filtro del supresor de chispas fuera del tubo de salida del silenciador.
- Inspeccione el filtro y reemplácelo si está rasgado, perforado o de otra manera dañado. NO use un filtro defectuoso. Si el filtro está dañado, límpielo con un solvente comercial.
- Reemplace el filtro y el retenedor y asegure con abrazadera de retenedora.

Figura 12 - Filtro del supresor de chispas



GUÍA DE LOCALIZACIÓN Y CORRECCIÓN DE FALLAS

PROBLEMA	CAUSA	ACCIÓN CORRECTIVA
El motor no arranca.	<ol style="list-style-type: none"> 1. El depósito no tiene combustible. 2. Válvula del combustible cerrada. 3. Bujía defectuosa. 4. Filtro de combustible tapado. 5. Interruptor de paro de motor defectuoso o pegado. 	<ol style="list-style-type: none"> 1. Agregue combustible al depósito. 2. Gire la válvula del combustible a la posición "ON". 3. Reemplace la bujía. 4. Reemplace el filtro de combustible. 5. Reemplace el interruptor de arranque del motor.
El motor arranca y luego se para.	<ol style="list-style-type: none"> 1. Nivel de combustible bajo. 2. Respiradero del depósito de gasolina cerrado. 3. Nivel de aceite del motor incorrecto. 4. Combustible contaminado. 5. Interruptor de bajo nivel de aceite defectuoso. 6. Bobina de ignición defectuosa. 	<ol style="list-style-type: none"> 1. Agregue combustible al depósito. 2. Abra el respiradero del depósito de gasolina. 3. Compruebe el nivel de aceite del motor, agregue o drene según se requiera. 4. Reemplace el filtro de combustible. 5. Reemplace el interruptor de nivel bajo de aceite. 6. Reemplace la bobina de ignición.
El motor arranca y luego funciona de forma irregular.*	<ol style="list-style-type: none"> 1. El ahogador está pegado o se dejó en la posición "ON". 2. Filtro de aire sucio o tapado. 3. Bujía defectuosa o sucia. 4. Filtro de combustible sucio. 5. Interruptor EcoMode defectuoso. 	<ol style="list-style-type: none"> 1. Gire el ahogador a la posición "OFF". 2. Limpie o reemplace el elemento del filtro de aire. 3. Reemplace la bujía. 4. Reemplace el combustible y el filtro del combustible. 5. Reemplace el interruptor EcoMode.
No hay salida de CA.	<ol style="list-style-type: none"> 1. El generador está sobrecargado (Luz indicadora de SOBRECARGA está encendida y la luz indicadora LISTO está destellando. Ver la sección de identificación del Panel de control). 2. El voltaje CA está bajo (Luz indicadora de SOBRECARGA está encendida y la luz indicadora LISTO está destellando. Ver la sección de identificación del Panel de control). 3. El módulo del inversor está sobrecalentado (Luz indicadora de SOBRECARGA está encendida y la luz indicadora LISTO está destellando. Ver la sección de identificación del Panel de control). 4. Cortocircuito en dispositivo eléctrico Luz indicadora de SOBRECARGA está encendida y la luz indicadora LISTO está destellando. Ver la sección de identificación del Panel de control). 5. Montaje defectuoso del inversor. 	<ol style="list-style-type: none"> 1. Apague el generador para reajustar el módulo. Reduzca las cargas y vuelva a arrancar el generador. 2. Verifique que el ahogador esté en la posición OFF. 3. Verifique que la puerta de servicio esté en la posición "ON". Deje enfriar por 15 minutos y vuelva a arrancar el generador. 4. Verifique la condición de todos los cables de extensión y de todos los dispositivos que reciben energía. 5. Reemplace el montaje del inversor.
No hay salida de CD. **	<ol style="list-style-type: none"> 1. Disyuntor del circuito de CD abierto. 2. Disyuntor defectuoso del circuito de CD. 3. Rectificador defectuoso. 	<ol style="list-style-type: none"> 1. Reajuste el disyuntor del circuito de CD. 2. Reemplace el disyuntor del circuito de CD. 3. Reemplace el rectificador.
Hay fugas de combustible en las mangueras de drenado.	<ol style="list-style-type: none"> 1. Sistema de combustible sobre cebado (ahogado). 2. El drenaje del carburador en la cuba no está cerrado. 	<ol style="list-style-type: none"> 1. Deje inactivo el generador durante 15 minutos antes de volver a arrancarlo. 2. Gire la válvula hacia la derecha para cerrarla.

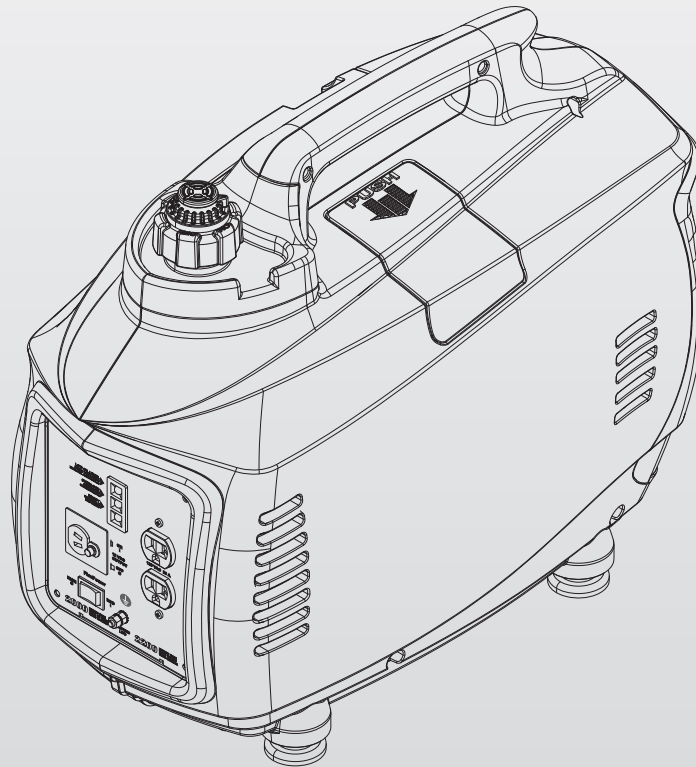
* La velocidad del motor aumenta y se reduce, esto es normal durante el arranque del generador y durante la variación de cargas.

** Verifique que Interruptor EcoMode esté en la posición "OFF" (O).

MODÈLES : 005792-3
005793-3
006719-0

iX 1600 et iX 2000

Manuel d'utilisation de la Génératrice-onduleurs numérique



⚠ DANGER!

- ⚠** GAZ D'ÉCHAPPEMENT MORTEL ! Utiliser **UNIQUEMENT** à L'EXTÉRIEUR loin des fenêtres, portes et événements !
- ⚠** L'UTILISATION N'EST PAS PRÉVUE POUR LES MOYENS D'ENTRETIEN ARTIFICIEL DE LA VIE.
- ⚠** CONSERVER ce manuel. Fournir ce manuel aux opérateurs de la génératrice.



Table des matières

Boîte d'accessoire	36	Entretien	46
Introduction	37	Entretien de la génératrice	46
Lire attentivement ce manuel	37	Programme d'entretien de la génératrice	46
Règles de sécurité	37	Nettoyage de la génératrice	47
Index des normes.....	39	Entretien du moteur.....	47
Information générale	40	Changement de l'huile à moteur	47
Caractéristiques	40	Changement du filtre à carburant.....	47
1600 Watts	40	Changement de la bougie d'allumage	48
2000 Watts (49 État).....	40	Transport et entreposage	48
2000 Watts (50 État).....	40	Nettoyer l'écran pare-étincelles (50 État)	49
Information à propos des émissions.....	40	Dépannage	50
Identification de l'unité.....	41	Guide de Dépannage	50
Tableau de commande	41	Remarques	51
Fonctionnement	42		
Vérification avant l'utilisation.....	42		
Mise en marche de la génératrice.....	43		
Ajouter des charges	43		
Utiliser le commutateur FlexPower™	44		
Utiliser le chargeur de batterie de 12 VCC.....	44		
Arrêt	44		
Arrêt de niveau bas d'huile	45		
Remplissage de la génératrice.....	45		
Pour remplir le réservoir de carburant.....	45		
Ajouter l'huile à moteur.....	45		
Pour ajouter l'huile à moteur au carter du moteur.....	46		

BOÎTE D'ACCESSOIRES

Vérifier le contenu de la boîte. Si des pièces sont absentes ou endommagées, merci de localiser un dépositaire agréé au 1-888-436-3722.

Le contenu inclut :

- Huile SAE 30
- Entonnoir
- Clé à bougie
- Tournevis
- Câble de chargement de la batterie

ADVERTISSEMENT!

Proposition 65 Californie

L'échappement du moteur et certains de ses constituants sont susceptibles selon l'État de Californie d'entraîner des cancers, des malformations congénitales ou pouvant être nocifs pour le système reproductif.

ADVERTISSEMENT!

Proposition 65 Californie

Ce produit contient ou émet des produits chimiques susceptibles selon l'État de Californie d'entraîner des cancers, des malformations congénitales ou autres maladies pouvant être nocifs pour le système reproductif.

INTRODUCTION

Ce modèle est une génératrice entraînée par moteur compacte, à haute performance, refroidie à l'air, conçue pour fournir l'alimentation électrique afin de faire fonctionner les charges électriques lorsqu'aucun réseau électrique n'est disponible ou à la place du réseau en raison d'une coupure de courant.

LIRE ATTENTIVEMENT CE MANUEL

En cas d'incompréhension d'une partie de ce manuel, contacter le dépositaire agréé le plus proche pour connaître les procédures de démarrage, de fonctionnement et d'entretien.

L'opérateur est responsable de l'utilisation correcte et sûre de l'équipement. Nous recommandons fortement à l'opérateur de lire ce manuel et de comprendre complètement toutes les instructions avant d'utiliser l'équipement. Nous recommandons également fortement d'apprendre à d'autres utilisateurs comment correctement démarrer et faire fonctionner l'unité. Cela les prépare au cas où ils auraient besoin de faire fonctionner l'équipement pour une urgence.

La génératrice peut fonctionner en toute sécurité, de façon efficace et de façon fiable uniquement si elle est correctement installée, utilisée et entretenue. Avant d'utiliser ou d'entretenir la génératrice :

- Se familiariser avec et respecter strictement tous les codes et réglementations locaux, d'État et nationaux.
- Lire attentivement tous les avertissements de sécurité figurant dans ce manuel et sur le produit.
- Se familiariser avec ce manuel et l'unité avant de l'utiliser.

Le fabricant ne peut pas anticiper toutes les situations possibles qui peuvent impliquer un danger. Les avertissements de ce manuel et figurant sur les étiquettes et les autocollants apposés sur l'unité ne sont, toutefois, pas exhaustifs. Si vous suivez une procédure, une méthode de travail ou une technique de fonctionnement que le fabricant ne recommande pas en particulier, assurez-vous qu'elle est sans danger pour les autres. S'assurer que la procédure, la méthode de travail ou la technique de fonctionnement choisie ne rende pas la génératrice dangereuse.

LES INFORMATIONS CONTENUES DANS LE PRÉSENT MANUEL SE BASENT SUR LES MACHINES EN PRODUCTION AU MOMENT DE LA PUBLICATION. GENERAC SE RÉSERVE LE DROIT DE MODIFIER CE MANUEL À TOUT MOMENT.

RÈGLES DE SÉCURITÉ

Dans tout ce manuel, et sur les étiquettes et sur les autocollants apposés sur la génératrice, les blocs DANGER, AVERTISSEMENT, ATTENTION et REMARQUE servent à alerter le personnel d'instructions spéciales au sujet d'une opération spécifique qui peut s'avérer dangereuse si elle n'est pas effectuée correctement ou avec précaution. Les respecter attentivement. Leurs définitions sont les suivantes :

⚠ DANGER!

Indique une situation ou une action dangereuse qui, si elle n'est pas évitée, entraînera la mort ou des blessures graves.

⚠ AVERTISSEMENT!

Indique une situation ou une action dangereuse qui, si elle n'est pas évitée, pourrait entraîner la mort ou des blessures graves.

⚠ ATTENTION!


Indique une situation ou une action dangereuse qui, si elle n'est pas évitée, entraînera des blessures légères ou modérées.

REMARQUE :

Les remarques contiennent des informations supplémentaires importantes relatives à une procédure et se trouvent dans le corps de texte régulier de ce manuel.


Ces avertissements de sécurité ne peuvent pas éliminer les dangers qu'ils signalent. Le sens commun et le respect strict des instructions spéciales lors de l'action ou l'entretien sont essentiels pour éviter les accidents.

Quatre symboles de sécurité couramment utilisés accompagnent les blocs **DANGER**, **AVERTISSEMENT** et **ATTENTION**. Chacun indique le type d'informations suivant :

 **Ce symbole indique des informations importantes relatives à la sécurité qui, si elles ne sont pas suivies, pourraient mettre en danger la sécurité personnelle et/ou les biens.**

 **Ce symbole indique un risque potentiel d'explosion.**

 **Ce symbole indique un risque potentiel d'incendie.**

 **Ce symbole indique un risque potentiel d'électrocution.**

DANGERS GÉNÉRAUX

- NE JAMAIS faire fonctionner dans un espace clos, dans une voiture, ou à l'intérieur MÊME SI les fenêtres ou les portes sont ouvertes.
- Pour des raisons de sécurité, le fabricant recommande que la maintenance de cet équipement soit effectuée par un dépositaire agréé. Inspecter régulièrement la génératrice et contacter le dépositaire agréé le plus proche pour les pièces qui nécessitent une réparation ou un remplacement.
- Faire fonctionner la génératrice uniquement sur des surfaces de niveau et où elle ne sera pas exposée à l'humidité, aux saletés, à la poussière ou aux vapeurs corrosives excessives.
- Tenir les mains, les pieds, les vêtements, etc., à distance des courroies de transmission, des ventilateurs et d'autres pièces mobiles. Ne jamais retirer tout protège-ventilateur pendant que l'unité fonctionne.
- Certaines pièces de la génératrice deviennent extrêmement chaudes pendant le fonctionnement. Rester à distance de la génératrice tant qu'elle n'a pas refroidie afin d'éviter des brûlures graves.
- Ne PAS faire fonctionner la génératrice sous la pluie.
- Ne pas modifier la construction de la génératrice ni les commandes, ce qui pourrait créer une condition de fonctionnement dangereuse.
- Ne jamais démarrer ou arrêter l'unité avec les charges électriques branchées aux prises ET avec des dispositifs branchés sous tension. Démarrer le moteur et le laisser se stabiliser avant de brancher les charges électriques. Débrancher toutes les charges électriques avant d'arrêter la génératrice.

Règles de sécurité

! **CONSERVEZ CES INSTRUCTIONS - Le fabricant recommande que ces règles relatives au fonctionnement sûr soient copiées et affichées à proximité du site d'installation de l'unité. Tous les opérateurs et opérateurs potentiels de cet équipement doivent prendre conscience de la question de la sécurité.**

- Lors du travail sur cet équipement, conserver l'alerte à tout moment. Ne jamais travailler sur l'équipement en cas de fatigue physique ou mentale.
- Ne jamais utiliser la génératrice ou n'importe laquelle de ses pièces comme marche. Monter sur l'unité peut écraser et casser les pièces, et peut entraîner des conditions de fonctionnement dangereuses suite à une fuite de gaz d'échappement, une fuite de carburant, une fuite d'huile, etc.

DANGERS D'ÉCHAPPEMENT ET D'EMPLACEMENT

- **Ne jamais faire fonctionner dans un espace clos ou à l'intérieur! Ne JAMAIS utiliser dans la maison, dans la voiture ou dans des endroits partiellement fermés comme les garages, même si les portes et les fenêtres sont ouvertes ! Utiliser SEULEMENT à l'extérieur et loin des fenêtres ouvertes, portes, événements, et dans un endroit qui n'accumulera pas l'échappement mortel.**

⚠ DANGER	
Utiliser un générateur à l'intérieur PEUT VOUS TUER EN QUELQUES MINUTES. Les gaz d'échappement du générateur contiennent du monoxyde de carbone. C'est un gaz toxique invisible et inodore.	
 NE JAMAIS utiliser à l'intérieur d'une maison ou d'un garage, MÊME SI les portes et les fenêtres sont ouvertes.	 Utiliser uniquement à l'EXTÉRIEUR et loin des fenêtres, portes et ventilations.

- Les gaz d'échappement du moteur contiennent du monoxyde de carbone, qui est invisible et inodore. Ce gaz est toxique et s'il est respiré en concentrations suffisantes, il peut entraîner une perte de conscience ou même la mort.
- Un débit approprié, non obstrué d'air de refroidissement et de ventilation est important pour corriger le fonctionnement de la génératrice. Ne pas modifier l'installation ou ne pas laisser même un blocage partiel de l'alimentation de ventilation, étant donné que cela peut sérieusement affecter le fonctionnement sûr de la génératrice. La génératrice DOIT fonctionner à l'extérieur.
- Ce système d'échappement doit être correctement entretenu. Ne rien faire qui pourrait rendre le système d'échappement dangereux ou non conforme aux codes locaux et/ou normes locales.
- Toujours utiliser un détecteur d'oxyde de carbone à alimentation par batterie à l'intérieur, conformément aux instructions du fabricant.
- Si vous commencez à vous sentir malade, à avoir des étourdissements ou à vous sentir faible après le fonctionnement de la génératrice, respirez de l'air frais IMMÉDIATEMENT. Consultez un médecin car vous pourriez avoir été empoisonné au monoxyde de carbone.

RISQUES ÉLECTRIQUES

- La génératrice produit une tension dangereusement haute pendant son fonctionnement. Éviter le contact avec les fils nus, les bornes, les branchements, etc., pendant le fonctionnement de l'unité, même sur l'équipement branché à la génératrice. S'assurer que tous les couvercles, les dispositifs de protection et les barrières sont en place avant de faire fonctionner la génératrice.
- Ne jamais manipuler tout type de cordon ou de dispositif électrique qui est dans l'eau, alors que vous êtes pieds nus ou que vos mains ou vos pieds sont mouillés. **CELA ENTRAÎNERA UN RISQUE D'ÉLECTROCUTION.**
- Le National Electric Code (NEC, Code électrique national) exige que le bâti et que les pièces externes électriquement conductrices de la génératrice soient correctement reliés à une mise à terre approuvée. Les codes électriques locaux peuvent également exiger une mise à la terre approprié de la génératrice. Consulter un électricien local pour connaître les exigences de mise à la terre dans la région.
- Utiliser un disjoncteur de fuite à la terre dans toute zone humide ou très conductrice (telle que le carter protecteur métallique ou l'aciérie).
- N'employez pas des cordons amovibles électriques usés, nus, effilochés ou autrement endommagés avec la génératrice.
- En cas d'accident causé par électrocution, couper immédiatement la source d'alimentation électrique. Si cela est impossible, essayer de libérer la victime du conducteur sous tension. **ÉVITER TOUT CONTACT DIRECT AVEC LA VICTIME.** Utiliser un objet non conducteur, comme une corde ou une planche, pour libérer la victime du conducteur sous tension. Si la victime est inconsciente, assurer les premiers secours et demander une aide médicale immédiate.

RISQUES D'INCENDIE

- **L'essence est très INFLAMMABLE et ses vapeurs sont EXPLOSIVES. Ne pas produire de fumée, flammes nues, étincelles ou chaleur à proximité de l'endroit où l'essence est manipulée.**
- **Ne jamais ajouter de carburant lorsque l'unité fonctionne ou est chaude.** Laisser le moteur complètement refroidir avant d'ajouter du carburant.
- **Ne jamais remplir le réservoir de carburant à l'intérieur.** Respecter toutes les lois réglementant l'entreposage et la manipulation de l'essence.
- **Ne pas trop remplir le réservoir de carburant. Toujours laisser de la place pour l'expansion du carburant.** Si le réservoir est trop rempli, l'essence peut déborder sur un moteur chaud et entraîner un INCENDIE ou une EXPLOSION. Ne jamais entreposer la génératrice avec le réservoir rempli de carburant étant donné que les vapeurs d'essence pourraient atteindre une flamme ouverte, des étincelles ou une veilleuse (comme il y en a sur une chaudière, un chauffe-eau ou sur un sèche-linge). Cela peut entraîner un INCENDIE ou une EXPLOSION. Laisser l'unité complètement refroidir avant l'entreposage.
- Nettoyer immédiatement toute éclaboussure de carburant ou d'huile. S'assurer qu'aucune matière combustible ne reste sur ou à proximité de la génératrice. Garder l'espace environnant de la génératrice propre et sans débris et garder un jeu de cinq (5) pieds sur tous les côtés afin de permettre une aération adaptée de la génératrice.
- Ne pas insérer d'objet dans les fentes de refroidissement de l'unité.

- **Ne pas** faire fonctionner la génératrice si des dispositifs électriques branchés surchauffent ; si la puissance électrique est perdue ; si le moteur ou la génératrice fait des étincelles ; si des flammes ou de la fumée sont détectées alors que l'unité fonctionne.
- Garder un extincteur à proximité de la génératrice à tout moment.

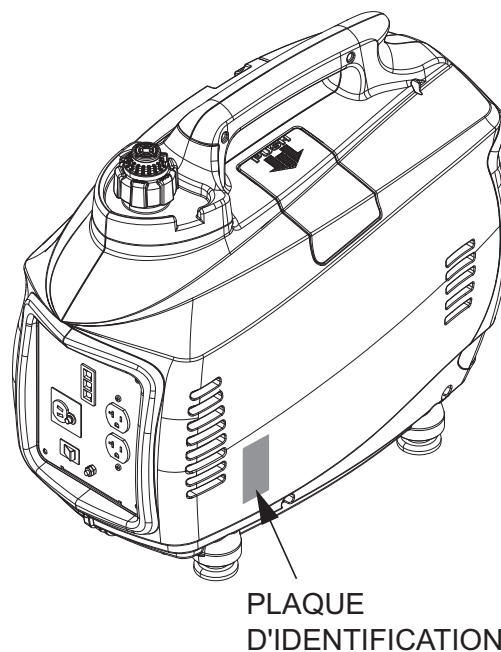
INDEX DES NORMES

1. National Fire Protection Association (Association nationale pour la protection contre les incendies) 70 : Le NATIONAL ELECTRIC CODE (Code électrique national) disponible auprès de www.nfpa.org
2. National Fire Protection Association (Association nationale pour la protection contre les incendies) 5000 : Le BUILDING CONSTRUCTION AND SAFETY CODE disponible auprès de www.nfpa.org
3. International Building Code disponible auprès de www.iccsafe.org
4. Agricultural Wiring Handbook disponible auprès de www.nerc.org , Rural Electricity Resource Council P.O. Box 309 Wilmington, OH 45177-0309
5. ASAE EP-364.2 Installation and Maintenance of Farm Standby Electric Power (Installation et maintenance des systèmes électriques de secours pour les fermes), disponible auprès de www.asabe.org, American Society of Agricultural & Biological Engineers, 2950 Niles Road, St. Joseph, MI 49085.

Cette liste n'est pas exhaustive. Vérifier avec l'autorité locale ayant juridiction pour les codes et normes locaux qui peuvent être appliqués à votre juridiction.

N° DE MODÈLE :	
N° DE SÉRIE :	

Figure 1 - N° de plaque de la génératrice



SPÉCIFICATIONS

1600 WATTS

Type de moteur	Un cylindre, 4 temps
Taille de moteur	99 c3
Type de démarreur	À recul
Type/capacité de carburant	0,69 Gallon (2,6 L)/sans plomb
Capacité d'huile	0,63 Pinte (0,6 L)
Temps de fonctionnement à 25% de la charge recommandée	5,7 heures
Type de bougie d'allumage	NGK BPR7HS
Écartement de bougie d'allumage	0,030 po.
Dimensions L x P x H (pouces)	22 x 12 x 18
Poids Lb/kg	43,5/19,7
Puissance de sortie CA maximum	1600W
Puissance de sortie CA transitoire	1650W
Volts en CA	120 VCA
Courant nominal en CA	13,3 A
Fréquence	60 Hertz
THD	3,0 %
Classe d'isolation	Classe B
Prises	(2) 5-15R, (1) 12 VCC
Volts en CC	12 VCC
Courant nominal en CC	5 A

2000 WATTS (49 ÉTAT)

Type de moteur	Un cylindre, 4 temps
Taille de Moteur	127 c3
Type de démarreur	À recul
Type/capacité de carburant	0,85 Gallon (3,2 L)/sans plomb
Capacité d'huile	0,63 Pinte (0,6 L)
Temps de fonctionnement à 25% de la charge recommandée	5,3 heures
Type de bougie d'allumage	NGK BPR6ES
Écartement de bougie d'allumage	0,030 po.
Dimensions L x P x H (pouces)	22 x 12 x 18
Poids Lb/kg	49,6/22,5
Puissance de sortie CA maximum	2000W
Puissance de sortie CA transitoire	2200W
Volts en CA	120 VCA
Courant nominal en CA	16,7 A
Fréquence	60 Hertz
THD	3,0 %
Classe d'isolation	Classe B
Prises	(2) 5-20R, (1) 12 VCC
Volts en CC	12 VCC
Courant nominal en CC	5 A

REMARQUE :

La puissance de sortie et le temps d'exécution sont influencés par plusieurs facteurs, dont la qualité du carburant, la température ambiante et l'état du moteur. La production diminue approximativement 3,5 % pour chaque 1.000 pieds au-dessus du niveau de la mer et 1 % pour tous les 10 degrés au-dessus de 60 °F.

2000 WATT (50 ÉTAT)

Type de moteur	Un cylindre, 4 temps
Taille de Moteur	127 c3
Type de démarreur	À recul
Type/capacité de carburant	0,82 Gallon (3,1 L)/sans plomb
Capacité d'huile	0,63 Pinte (0,6 L)
Temps de fonctionnement à 25% de la charge recommandée	4,7 heures
Type de bougie d'allumage	NGK BPR6ES
Écartement de bougie d'allumage	0,030 po.
Dimensions L x P x H (pouces)	22 x 12 x 18
Poids Lb/kg	49,6/22,5
Puissance de sortie CA maximum	2000W
Puissance de sortie CA transitoire	2200W
Volts en CA	120 VCA
Courant nominal en CA	16,7 A
Fréquence	60 Hertz
THD	3,0 %
Classe d'isolation	Classe B
Prises	(2) 5-20R, (1) 12 VCC
Volts en CC	12 VCC
Courant nominal en CC	5 A

INFORMATION SUR LES ÉMISSIONS

L'Agence de protection de l'environnement (et le Comité des ressources de l'air de la Californie pour les générateurs certifiés selon les normes CA) exige que ce générateur soit conforme aux normes d'émissions d'échappement et par évaporation. Identifiez l'étiquette contenant les informations au sujet de la conformité aux normes d'émissions apposé sur le moteur pour déterminer quelles sont les normes rencontrées par le générateur et quelle est la garantie applicable. Ce générateur est certifié pour fonctionner à l'essence. Le système de contrôle des émissions comprend les composantes suivantes (le cas échéant) :

- Système d'induction d'air
 - Tuyau d'adduction / Collecteur
 - Filtre à air
- Circuit d'alimentation
 - Carburateur
 - Réservoir / Bouchon de carburant
 - Conduite de carburant
 - Conduites d'évaporation
 - Absorbeur de vapeurs d'essence
- Système d'allumage
 - Bougie d'allumage
 - Module d'allumage
- Système d'échappement
 - Collecteur d'échappement
 - Silencieux
 - Robinet d'air comprimé
 - Catalyseur

IDENTIFICATION DE L'UNITÉ (Figure 2)

1. Poignée de transport : soulevez la génératrice par sa poignée seulement.
2. Couverture de bougie d'allumage : permet l'accès à la bougie d'allumage du moteur.
3. Ampoule-amorce : utilisée pour amorcer le circuit d'alimentation pour démarrer.
4. Bouchon de réservoir de carburant : accède au réservoir de carburant pour le remplir.
5. Tableau de commande : emplacement des commandes de la génératrice et des prises de sortie.
6. Lamelles d'entrée d'air : permettent à l'air de refroidissement d'entrer dans le boîtier.
7. Silencieux d'échappement : diminue le bruit d'échappement du moteur (y compris le pare-étincelles).
8. Volet de départ : aide de démarrage à froid du moteur.
9. Couverture de service côté gauche : permet l'accès au filtre à air, au filtre à carburant et au remplissage d'huile.
10. Boyaux de ventilation : les boyaux permettent la ventilation du carburateur.
11. Interrupteur de carburant : contrôle l'approvisionnement de carburant au carburateur.
12. Câble de démarreur : tire sur le câble pour mettre en marche le moteur.

Figure 2 - Identification de l'unité

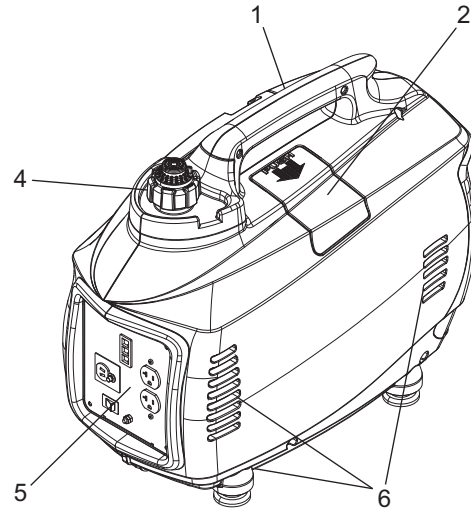
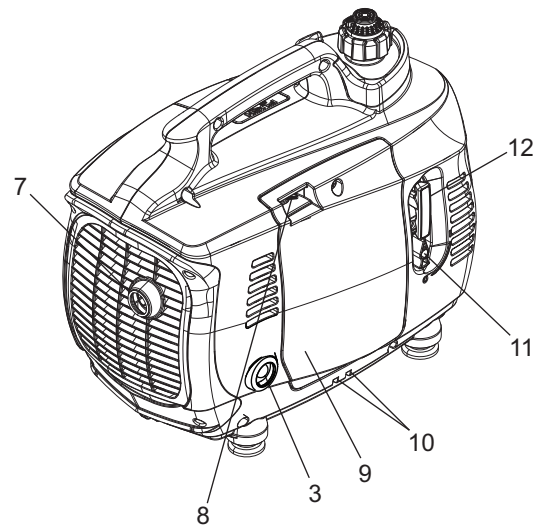


TABLEAU DE COMMANDE (FIGURE 3)

13. NIVEAU BAS D'HUILE DEL (jaune) : s'allume quand le niveau d'huile est inférieur au niveau sécuritaire de fonctionnement et le moteur s'arrête.
14. SURCHARGE DEL (rouge) : Ce voyant LED indique une surcharge du système. Ce voyant LED devrait être utilisé avec un voyant PRÊT LED qui clignotera un code d'erreur, voir n° 15.
15. PRÊT DEL (vert) : indique la puissance de la génératrice à moins qu'il y ait une surcharge ou que le niveau de l'huile soit bas. En cas de surcharge du système, le voyant Prêt LED va fournir une indication de l'état de surcharge. L'indication sont plusieurs flash séparés par une pause. Les indications sont les suivantes :
 - 1 Flash = tension faible. L'unité a été surchargée jusqu'à ce que la tension de sortie est descendue à moins de 100V CA.
 - 2 Flashes = température élevée du système onduleur. L'unité a été surchargée jusqu'à ce que la température interne de l'onduleur de sortie a dépassée 212° F.
 - 3 Flashes = surcharge. L'unité a été surchargée jusqu'à ce que la puissance de sortie requise a dépassée 110% la puissance nominale.
 - 4 Flashes = court-circuit. Ceci indique que la puissance de l'unité est en court-circuit par la charge connectée à elle.

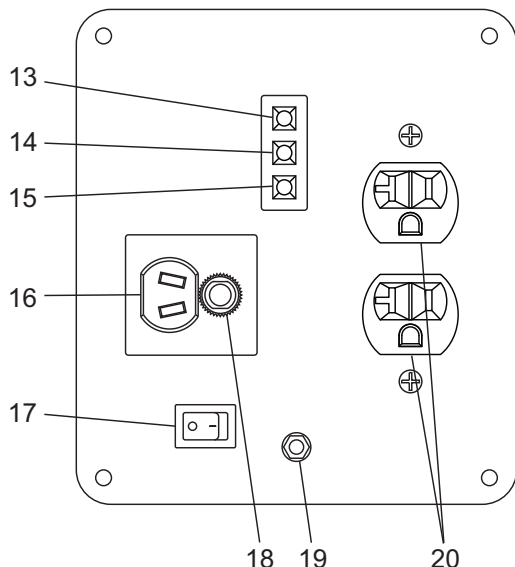


16. Bougie de 12 VCC : connexion pour recharger les batteries automobiles de 12 VCC tandis que la génératrice est en fonctionnement.
17. Commutateur FlexPower™ : ce commutateur ralentit la vitesse du moteur quand la charge est réduite pour économiser de l'essence et l'usure du moteur.
18. Disjoncteur de 12 VCC : protection contre les surcharge pour le système de charge de 12 VCC.
19. Cosse de raccordement de mise à la terre : point de masse pour la génératrice ; consultez les codes électriques locaux et provinciaux avant utiliser (masse flottante).
20. Prises de 120 VCA : deux (2) prises disponibles pour brancher des appareils.

REMARQUE :

Ne dépassez pas la puissance nominale de la génératrice.

Figure 3 - Panneau de commande



! Le fabricant recommande d'installer un détecteur d'oxyde de carbone à piles à l'intérieur, selon les instructions des fabricants.

! **NE JAMAIS** utiliser dans la maison, ou dans des endroits partiellement fermés comme les garages, les campeurs ou les remorques. Utiliser **SEULEMENT** à l'extérieur et loin des fenêtres ouvertes, portes, et événements.

DANGER

Utiliser un générateur à l'intérieur **PEUT VOUS TUER EN QUELQUES MINUTES.**

Les gaz d'échappement du générateur contiennent du monoxyde de carbone. C'est un gaz toxique invisible et inodore.



NE JAMAIS utiliser à l'intérieur d'une maison ou d'un garage, **MÊME SI** les portes et les fenêtres sont ouvertes.

Utiliser **UNIQUEMENT** à l'**EXTÉRIEUR** et loin des fenêtres, portes et ventilations.

VÉRIFICATION AVANT L'UTILISATION

Avant de mettre en marche la génératrice et d'ajouter des charges, effectuez les tâches suivantes :

1. Assurez-vous la génératrice soit sur une surface incombustible, solide, et équilibrée avec au moins cinq (5) pieds de dégagement sur tous les côtés.

DANGER!

- !** **Ne jamais faire fonctionner dans un espace clos ou à l'intérieur ! NE JAMAIS** utiliser dans la maison, dans la voiture ou dans des endroits partiellement fermés comme les garages, même si les portes et les fenêtres sont ouvertes ! Utiliser **SEULEMENT** à l'extérieur et loin des fenêtres ouvertes, portes, événements, et dans un endroit qui n'accumulera pas l'échappement mortel.
- !** Les gaz d'échappement du moteur contiennent du monoxyde de carbone, qui est invisible et inodore. Ce gaz est toxique et s'il est respiré en concentrations suffisantes, il peut entraîner une perte de conscience ou même la mort.
- !** Un débit approprié, non obstrué d'air de refroidissement et de ventilation est important pour corriger le fonctionnement de la génératrice. Ne pas modifier l'installation ou ne pas laisser même un blocage partiel de l'alimentation de ventilation, étant donné que cela peut sérieusement affecter le fonctionnement sûr de la génératrice. La génératrice **DOIT** fonctionner à l'extérieur.
- !** Ce système d'échappement doit être correctement entretenu. Ne rien faire qui pourrait rendre le système d'échappement dangereux ou non conforme aux codes locaux et/ou normes locales.

2. Enlevez le bouchon de carburant et vérifiez le niveau de carburant. Si du carburant est nécessaire, voir la section « REMPLIR DE COMBUSTIBLE LA GÉNÉRATRICE ».
3. Enlevez la couverture de service de côté gauche et vérifiez le niveau d'huile en enlevant le bouchon de remplissage d'huile. Le niveau d'huile devrait être au-dessous de ces fils sur le tuyau de remplissage d'huile. Si de l'huile est nécessaire, voir la section « AJOUTER L'HUILE À MOTEUR ».
4. Remplacez et fixez la couverture de service de côté gauche.
5. Assurez-vous qu'il n'y ait aucune charge branchée à la génératrice.
6. Le National Electric Code (NEC, Code électrique national) exige que le bâti et que les pièces externes électriquement conductrices de la génératrice soient correctement reliés à une mise à terre approuvée. Une mise à la terre appropriée de la génératrice va prévenir les décharges électrique en cas d'un défaut de mise à la terre dans la génératrice ou dans les dispositifs électriques branchés. Une mise à la terre appropriée aide également à dissiper l'électricité statique, qui s'accumule souvent dans des dispositifs sans surveillance.
7. Les codes électriques locaux peuvent également exiger une mise à la terre appropriée de la génératrice.

ATTENTION!

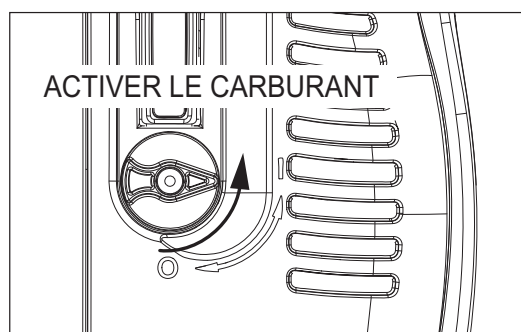
- !** La mise en marche de la génératrice avec des accessoires branchés aux prises de 120 VCA endommagera la génératrice et les dispositifs branchés.

MISE EN MARCHÉ DE LA GÉNÉRATRICE

Une fois que les niveaux de carburant et d'huile ont été vérifiés et on a vérifié qu'il n'y a aucune charge branchée, la génératrice peut être démarrée. Arrêtez (OFF) le Commutateur FlexPower (O).

1. Ouvrez le robinet à carburant (Figure 4), situé sous le coup du câble du démarreur, en tournant vers la soupape 90° dans le sens contraire des aiguilles d'une montre à la position « ON » (I).
2. Localiser l'ampoule-amorce (voir Figure 5). Enfoncer lentement et complètement l'ampoule-amorce et relâcher. Permettre à l'ampoule-amorce de retourner à son état originel. Répétez ceci encore six (6) fois.
3. Si le moteur est froid ou n'a pas été mis en marche pendant quelque temps, engagez le volet de départ en poussant le levier d'étrangleur vers la droite (Figure 6).
4. Serrez la poignée pour le démarreur de traction et appuyez votre autre main contre la génératrice. Tirez sur le câble lentement jusqu'à ce que vous sentiez une résistance, puis tirez sur le câble rapidement jusqu'à trois (3) fois.
5. Si le moteur ne démarre pas, répétez les étapes 2 à 4 jusqu'à ce que le moteur démarre et commence à se mettre en marche.

Figure 4 - Robinet à carburant



6. Réglez soigneusement le volet de départ jusqu'à la position de 1/2 plus ou moins jusqu'à ce que le moteur commence à se mettre en marche lentement, puis poussez le levier au complet vers la gauche (Figure 6).
7. Assurez-vous que le fond de la génératrice n'est pas bloquée par le sable, les feuilles, le gazon, etc., puisque que les fentes d'aération sont localisées sur le fond de l'unité.

Figure 5 - Amorcer le circuit d'alimentation

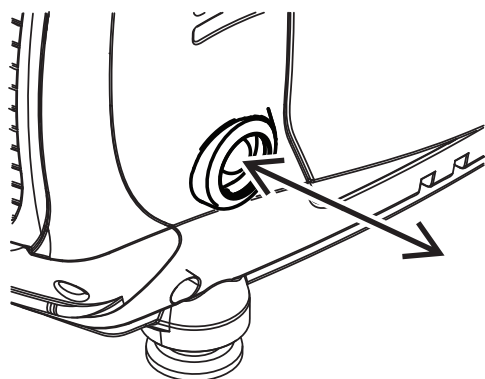
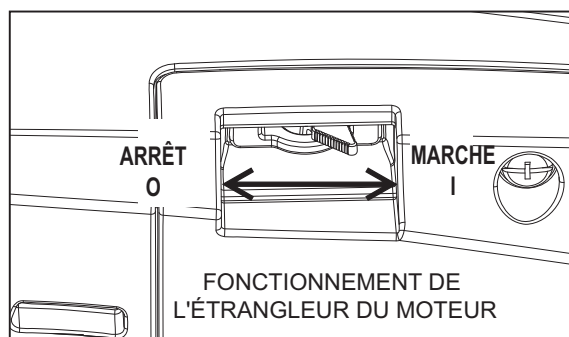


Figure 6 - Régler le volet de départ



AJOUTER DES CHARGES

Une fois que la génératrice a fonctionné sans heurts pendant 2 ou 3 minutes, les charges électriques peuvent être ajoutées.

⚠ AVERTISSEMENT !



N'employez pas des cordons amovibles électriques usés, nus, effilochés ou autrement endommagés avec la génératrice. Ne manipulez aucun dispositif électrique si vous vous tenez dans l'eau, en ayant les pieds nus, ou avec les mains ou les pieds humides.

1. Il y a de deux prises doubles de 120 VCA mises à la terre sur l'avant de la génératrice.
2. NE PAS surcharger la génératrice ; si le voyant DEL rouge de « surcharge » s'allume et les dispositifs branchés à la génératrice arrêtent de fonctionner, arrêtez le moteur et réduisez la charge à la génératrice. Remettez en marche et appliquez les charges réduites.
3. Consultez la table suivante pour estimer ce qui peut être actionné par la génératrice.

Dispositif Wattage d'exploitation

*Climatiseur (12.000 BTU)	1700
*Climatiseur (24.000 BTU)	3800
*Climatiseur (40.000 BTU)	6000
Chargeur de Batterie (20 Ampères)	500
Ponceuse à courroie (3 po.)	1000
Scie à chaîne	1200
Scie circulaire (6-1/2 po.)	800 à 1000
*Sèche-linge (Électrique)	5750
*Sèche-linge (Gaz)	700
*Laveuse	1150
Cafetière	1750
*Compresseur (1 HP)	2000
*Compresseur (3/4 HP)	1800
*Compresseur (1/2 HP)	1400
Fer à friser	700
*Déshumidificateur	650
Ponceuse à disque (9 po.)	1200
Coupe-bordures	500
Couverture chauffante	400
Cloueuse électrique	1200
Cuisinière électrique (par élément)	1500
Poêle électrique	1250
*Congélateur	700

*Ventilateur de chaudière (3/5 HP)	875
*Ouvre-porte de garage	500 à 750
Séchoir à cheveux	1200
Perceuse à main	250 à 1100
Taille-haie	450
Clé à Chocs	500
Fer	1200
*Pompe à jet	800
Tondeuse à gazon	1200
Ampoule	100
Four à micro-ondes	700 à 1000
*Réfrigérateur	1100
Brûleur à mazout sur le four	300
Chaufferette à mazout (140.000 BTU)	400
Chaufferette à mazout (85.000 BTU)	225
Chaufferette à mazout (30.000 BTU)	150
*Pistolet à peinture, sans air (1/3 HP)	600
Pistolet à peinture, sans air (portable)	150
Radio	50 à 200
*Réfrigérateur	700
Cocotte mijoteuse	200
*Pompe immergée (1-1/2 HP)	2800
*Pompe immergée (1 HP)	2000
*Pompe immergée (1/2 HP)	1500
*Pompe de vidange	800 à 1050
* Permettez trois (3) fois le wattage d'exploitation énuméré pour mettre en marche ces dispositifs.	

REMARQUE :

Quand un moteur électrique est démarré, le voyant DEL de « SURCHARGE » peut s'allumer jusqu'à cinq (5) secondes (c'est normale). S'il reste allumé, un défaut s'est produit. Enlevez toutes les charges et arrêtez la génératrice pour réinitialiser l'alarme. Redémarrez la génératrice. Si le voyant DEL de « SURCHARGE » reste allumé, contactez un concessionnaire de Generac pour de l'aide.

UTILISER LE COMMUTATEUR FLEXPOWER™


Quand les accessoires branchés à la génératrice vont être utilisés par intermittence (comme une perceuse à main), le commutateur FlexPower™ peut être placé dans la position « ON » (I). Ceci abaissera la vitesse du moteur de la génératrice quand les charges ne sont pas appliquées, en économisant du carburant, réduisant l'usage du moteur, et prolongeant le temps d'exécution.


UTILISER LE CHARGEUR DE BATTERIE DE 12 VCC


La prise de 12 VCC peut être employée pour recharger les batteries automobiles de 12 VCC seulement. La prise de charge de CC n'est pas réglée. Le protecteur du circuit n'empêche pas la surcharge d'une batterie.

1. Branchez le câble de chargement à la génératrice d'abord, puis la batterie, branchant TOUJOURS le fil rouge au positif (+) et le noir au négatif (-).

⚠ DANGER!

 **Ne pas permettre des fumées, des flammes, des étincelles ou toute autre source de chaleur autour d'une batterie. Utilisez des lunettes de protection, un tablier de caoutchouc, et des gants en caoutchouc pour travailler avec une batterie. Le liquide d'électrolyte de la batterie est une solution acide sulfurique extrêmement corrosive qui peut causer des brûlures graves. Si un déversement se produit, rincez la zone avec de l'eau propre immédiatement.**

 **Les batteries d'accumulateurs dégagent des gaz d'hydrogène explosifs pendant le rechargement. Un mélange détonant restera autour de la batterie pendant longtemps après qu'elle ait été chargée. La moindre étincelle peut enflammer l'hydrogène et causer une explosion. Une telle explosion peut faire voler en éclats la batterie et causer la cécité ou d'autres blessures sérieuses.**

 **NE JAMAIS renverser la polarité en branchant les terminaux de la batterie au cric de chargement. Les dommages sévères peuvent se produire à la génératrice et à la batterie.**

2. Maintenez le commutateur FlexPower™ dans la position « OFF » (O).
3. Mettez en marche la génératrice et employez-la normalement. Le temps de chargement variera avec la taille et l'état de la batterie. Vérifiez la tension sur les terminaux de la batterie quand le câble de chargement a été débranché ou la génératrice a été arrêtée.

REMARQUE :

Cette prise ne peut pas recharger les batteries de 6 volts et ne peut pas être employée pour allumer un moteur ayant une batterie déchargée.

ARRÊT

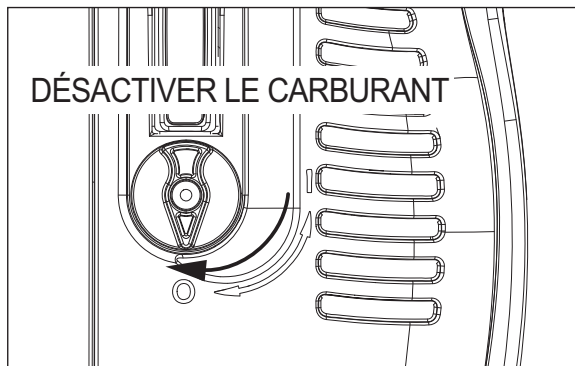
Une fois que la génératrice n'est plus nécessaire, elle peut être arrêtée.

1. Arrêtez tous les dispositifs branchés à la génératrice. Débranchez tous les cordons des prises doubles de 120 VCA ou de la prise de 12 VCC.
2. Placez le robinet à carburant à la position « OFF » (O) (Figure 7). Un commutateur derrière le robinet de carburant met à terre le système d'allumage, arrêtant le moteur et l'approvisionnement de carburant est arrêté.
3. Fermez l'évent sur le bouchon du réservoir de carburant.
4. Permettez à la génératrice de se refroidir avant la déplacer ou l'entreposer.

⚠ ATTENTION!

- ⚠ Permettez toujours à la génératrice de se refroidir avant l'entreposer. Les températures élevées seront présentes à l'arrière de l'unité pendant quelque temps après l'arrêt.

Figure 7 - Placer le carburant à la position OFF



ARRÊT DE NIVEAU BAS D'HUILE

Cette génératrice est équipée d'un arrêt au niveau bas d'huile. Si le niveau d'huile dans le carter du moteur descend sous le niveau prédéterminé, le moteur s'arrêtera automatiquement et le voyant DEL « NIVEAU BAS D'HUILE » s'allumera.

Enlevez la couverture de service de côté gauche et vérifiez le niveau d'huile du moteur. Ajoutez ou drainez de l'huile si nécessaire ; voir la section « AJOUTER L'HUILE À MOTEUR ».

REMPLISSAGE DE LA GÉNÉRATRICE

Soyez prudent lorsque vous remplissez la génératrice. Remplissez seulement le réservoir de carburant quand la génératrice est complètement refroidie. Employez de l'essence sans plomb avec un Indice d'octane recherche minimum de 87.

REMARQUE :

N'employez aucune essence contenant plus de 10% d'éthanol. Ne remplissez JAMAIS le réservoir de carburant avec E85 ou un mélange de pétrole et d'essence désigné pour les moteurs de deux cycles.

⚠ DANGER!

Ne pas allumer une cigarette ou ne pas fumer en remplissant le réservoir de carburant.

⚠ L'essence est très INFLAMMABLE et ses vapeurs sont EXPLOSIVES. Ne pas produire de fumée, flammes nues, étincelles ou chaleur à proximité de l'endroit où l'essence est manipulée.

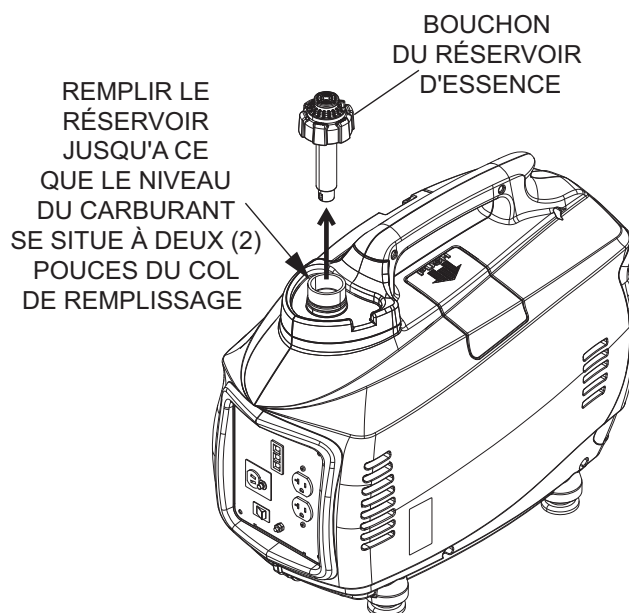
⚠ Ne jamais remplir le réservoir de carburant à l'intérieur. Ne jamais remplir le réservoir de carburant quand le moteur est en fonctionnement ou chaud. Évitez de renverser de l'essence sur un moteur chaud. Permettez au moteur de se refroidir complètement avant de remplir le réservoir de carburant.

⚠ Ne remplissez pas trop le réservoir de carburant. Toujours laisser de la place pour l'expansion du carburant. Si le réservoir est trop rempli, l'essence peut déborder sur un moteur chaud et entraîner un INCENDIE ou une EXPLOSION. Essayez les fuites d'essence immédiatement !

POUR REMPLIR LE RÉSERVOIR DE CARBURANT

1. Enlevez le bouchon du réservoir de carburant.

Figure 8 - Bouchon du réservoir de carburant



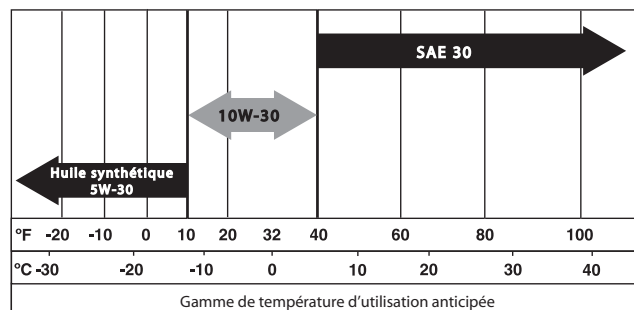
2. Ajoutez de l'essence lentement, en arrêtant environ deux (2) pouces sous le dessus du col de remplissage.
3. Remplacez le bouchon du réservoir de carburant. Assurez-vous que la soupape sur le bouchon de carburant est en position « OFF ».
4. Si la génératrice va être démarrée, voir la section « MISE EN MARCHÉ DE LA GÉNÉRATRICE » pour des directives supplémentaires pour amorcer le circuit d'alimentation.

AJOUTER L'HUILE À MOTEUR

L'huile devrait répondre à la classe de service SJ, SL ou mieux de l'American Petroleum Institute (API). N'employez aucun additif du marché de rechange.

Choisissez la viscosité de l'huile selon la température de fonctionnement prévue, seulement un peu plus de moitié quart est nécessaire.

- Au-dessus de 40 °F, utiliser SAE 30
- Au-dessous de 40° F à 10° F, employez 10W-30
- Au-dessus de 10 °F, utiliser 5W-30 synthétique



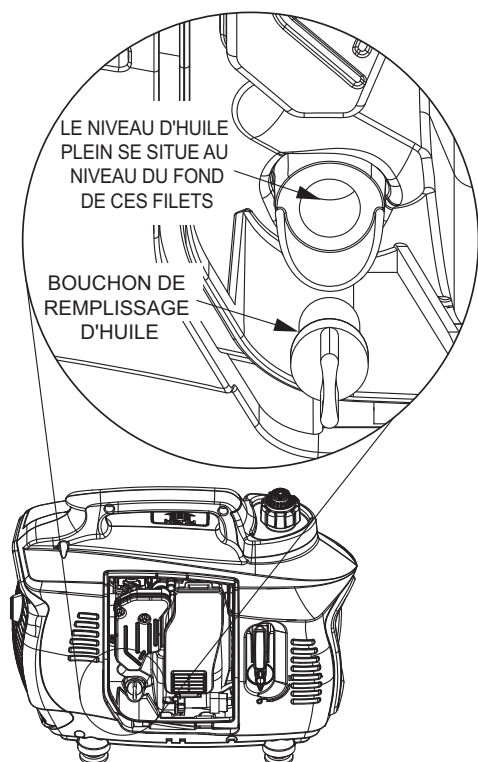
POUR AJOUTER L'HUILE À MOTEUR AU CARTER DU MOTEUR

1. Mettez l'unité sur une surface solide et équilibrée.
2. Enlevez la couverture de service de côté gauche.
3. Enlevez le bouchon de remplissage d'huile situé sur le fond du carter de moteur.
4. Ajoutez l'huile à moteur recommandée lentement, en cessant fréquemment pour vérifier le niveau. Le niveau complet est la base des filets dans le col de remplissage. **NE PAS TROP REMPLIR !**
5. Remplacez le bouchon de remplissage d'huile et serrez.
6. Vérifiez toujours le niveau d'huile avant de mettre en marche le moteur de la génératrice.

⚠ ATTENTION!

⚠ NE PAS trop remplir le carter du moteur avec de l'huile. Ceci pourrait causer une pression d'huile élevée, causant ainsi l'usure du moteur et des dommages.

Figure 9 - Remplissage d'huile



ENTRETIEN DE LA GÉNÉRATRICE

Le soin approprié assurera une performance maximale de votre génératrice. L'entretien de la génératrice s'agit de maintenir l'unité propre et sèche. Utiliser et entreposer l'unité dans un environnement sec et propre où elle ne sera exposée à la poussière excessive, à la saleté, à l'humidité ou à aucune vapeur corrosive.

Les fentes d'air de refroidissement dans la génératrice ne doivent pas être obstruées avec de la neige, des feuilles, ou aucune autre matière étrangère.

Vérifier la propreté de la génératrice fréquemment et nettoyer quand la poussière, la saleté, le pétrole, l'humidité ou d'autres corps étrangers sont évidents sur sa surface extérieure.

REMARQUE :

Ne passez jamais aucun objet ou outil dans les fentes de refroidissement même si le moteur n'est pas en fonctionnement.

REMARQUE :

N'UTILISEZ PAS un tuyau d'arrosage pour nettoyer la génératrice. L'eau peut entrer dans le circuit d'alimentation du moteur et entraîner des problèmes. En outre, si l'eau entre dans la génératrice à partir des fentes d'air de refroidissement, une certaine quantité d'eau restera dans les espaces vides et les interstices d'isolation de l'enroulement rotorique et statorique. L'accumulation de l'eau et de saleté sur les enroulements internes de la génératrice diminuera éventuellement la résistance d'isolation de ces enroulements.

PROGRAMME D'ENTRETIEN DE LA GÉNÉRATRICE

Suivez le programme d'entretien recommandé ; pour commander des pièces de rechange appelez au 1-888-436-3722.

	Chaque utilisation	Toutes les 100 heures	Tous les 6 mois	Chaque année
Niveau de carburant	X			
Niveau d'huile	X			
Vérifiez le filtre à air	X			
*Changez l'huile à moteur		X		
**Nettoyer le filtre à air		X		
Vérifiez la bougie d'allumage			X	
Vérifiez le pot d'échappement			X	
Inspectez et nettoyez le pare-étincelles.				X
Remplacez la bougie d'allumage				X
Remplacer le filtre à carburant				X

* Exécutez le changement d'huile initial après les cinq (5) premières heures de fonctionnement

** Nettoyez le filtre à air plus souvent si l'appareil fonctionne en conditions poussiéreuses ou arénacées. Remplacez si nécessaire.

NETTOYAGE DE LA GÉNÉRATRICE

1. Employer un tissu humide pour essuyer les surfaces extérieures.
2. Un brosse à soies, doux peut être employé pour se dégager l'accumulation de saleté, le pétrole, et.
3. Un aspirateur peut être employé pour ramasser la saleté superficielle et les débris.
4. L'air de basse pression (ne pas dépasser 25 livres par pouce carré) peut être employé pour enlever la saleté. Vérifier les fentes et les ouvertures d'air de refroidissement sur la génératrice. Ces ouvertures doivent être maintenues propres et sans obstructions.
5. Inspectez les tuyaux de ventilation du côté gauche de la génératrice. Assurez-vous que les tuyaux dépassent à travers les fentes en sous de la porte et que les extrémités soient ouvertes et libres de débris.

ENTRETIEN DU MOTEUR

⚠ ATTENTION!

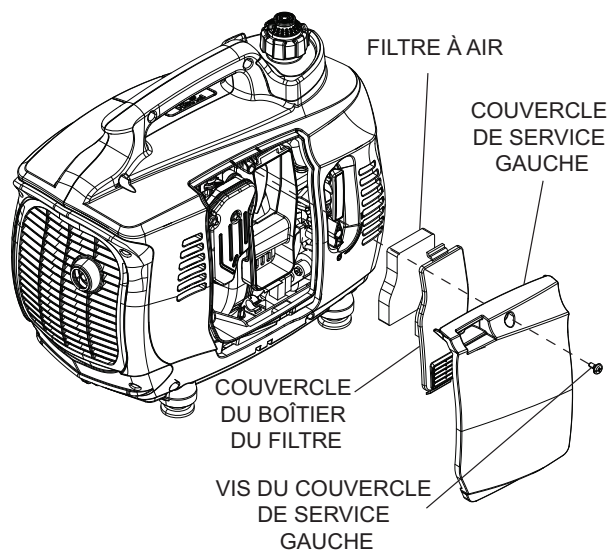
- ⚠ Travaillez seulement avec une génératrice qui est refroidi complètement.**

Vérifiez le niveau d'huile et l'état du filtre à air chaque fois que vous allez utiliser la génératrice. Pour vérifier le filtre à air et le niveau d'huile, la couvercle de service du côté gauche doit être enlevée ; utilisez un tournevis pour dévissez la vis retenant la couvercle et enlevez-la.

Le filtre à air est situé derrière une couverture pour la boîte d'air (Figure 10). Poussez la languette sur le fond de la boîte d'air vers le haut pour relâcher la couverture. Pour entretenir le filtre à air :

1. Enlevez le filtre à air. Enfoncez l'élément pour secouer toutes les grandes particules.
2. Lavez l'élément dans l'eau savonneuse. Serrez le filtre sec en tissu propre (NE PAS TORDRE).
3. Imbibez l'élément filtrant en huile à moteur propre. Enlevez l'excédent d'huile du filtre, laissant un revêtement léger.
4. Nettoyez le boîtier du filtre à air et couvrez avant de réinstaller l'élément filtrant.

Figure 10 - Filtre à air



CHANGEMENT DE L'HUILE À MOTEUR

⚠ ATTENTION!

- ⚠ L'huile chaude de peut causer des brûlures. Permettez au moteur de se refroidir entièrement avant de vidanger l'huile. Éviter des expositions de peau prolongées ou répétées avec de l'huile usagée. Lavez complètement les endroits exposés avec du savon.**

Changez l'huile à moteur après les cinq premières (5) heures de fonctionnement. Changez l'huile à moteur toutes les 100 heures ensuite. Pour changer l'huile à moteur :

1. Faire fonctionner la génératrice brièvement pour chauffer l'huile à moteur ; ceci soulève également tous les dépôts du moteur et facilite le débit d'huile usagée.

⚠ ATTENTION!

- ⚠ Changez l'huile seulement quand le réservoir de carburant est inférieur ou presque vide. La chute de la génératrice avec un réservoir de carburant complet peut causer des fuites d'essence.**
2. Mettez la génératrice sur un bac de récupération et enlevez le bouchon de vidange. Inclinez la génératrice sur son côté pour évacuer l'huile usagée du carter du moteur.

REMARQUE :

Pour faciliter le drainage de l'huile, un tuyau de vinyle (PVC) de 6 po. de longueur avec un diamètre intérieur de 1,25 po. (32 mm) peut être placé sur la lèvres de vidange.

3. Inclinez la génératrice en vertical une fois que l'huile a fini le vidange. Remplacez l'huile à moteur par le degré approprié exigé dans la Section « AJOUTER L'HUILE À MOTEUR », puis remplacez le bouchon de vidange.

CHANGEMENT DU FILTRE À CARBURANT

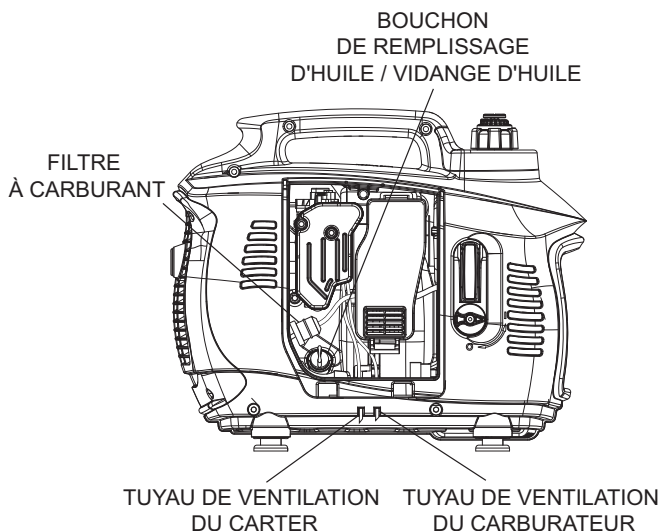
Localisez le filtre à carburant, juste sous le boîtier d'admission du moteur (Figure 11). Assurez-vous que l'interrupteur de carburant est en position « OFF » (O).

1. Enlevez les attaches de pincement fixant le filtre à carburant. Tirez sur les tuyaux libres.

⚠ AVERTISSEMENT!

- ⚠ Essayez les fuites d'essence immédiatement ! Ne fumez pas ou ne remplacez pas le filtre à carburant près des étincelles ou des flammes !**
2. Remplacez le filtre utilisé par un neuf. Poussez tuyaux de carburant dans les accessoires barbelées de carburant jusqu'à ce qu'ils soient complètement installées.
 3. Remplacez les pinces, en vous assurant qu'elles soient installées sur les garnitures.

Figure 11 - Filtre à carburant

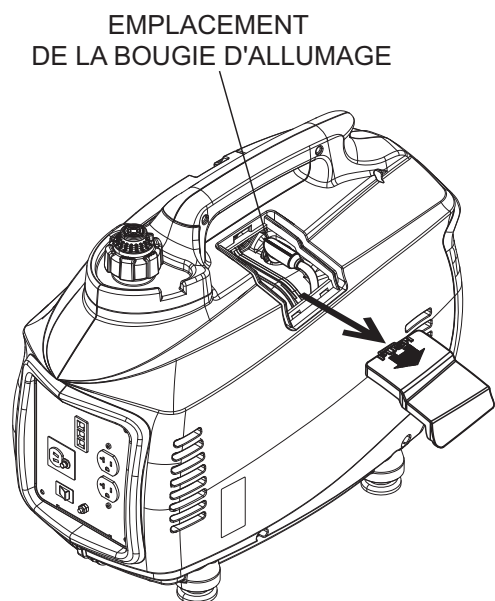


CHANGEMENT DE LA BOUGIE D'ALLUMAGE

Remplacez la bougie d'allumage tous les ans, indépendamment de la quantité d'heures que la génératrice a travaillé. Utilisez un NGK BPR7HS qui a été écarté à 0,030 po (0,76 mm). Pour remplacer la bougie d'allumage :

1. Enlevez la couverture de la bougie d'allumage sur le côté supérieur à droite de la génératrice, juste sous la poignée (Figure 12).
2. Tirez soigneusement du fil de la bougie d'allumage de la bougie d'allumage. Utilisez une clé à douille pour enlever la bougie d'allumage.
3. Installez la nouvelle bougie d'allumage sur la culasse. Serrez la bougie d'allumage à 15 pi./lb.
4. Remplacez le fil de la bougie d'allumage, en vous assurant qu'il soit complètement installé.
5. Remplacez la couverture de la bougie d'allumage.

Figure 12 - Remplacez la bougie d'allumage



TRANSPORT ET ENTREPOSAGE

Transportez ou entreposez la génératrice seulement si elle complètement froide. Assurez-vous que le robinet de carburant et l'évent sur le bouchon de carburant sont les deux en position « OFF » (K).

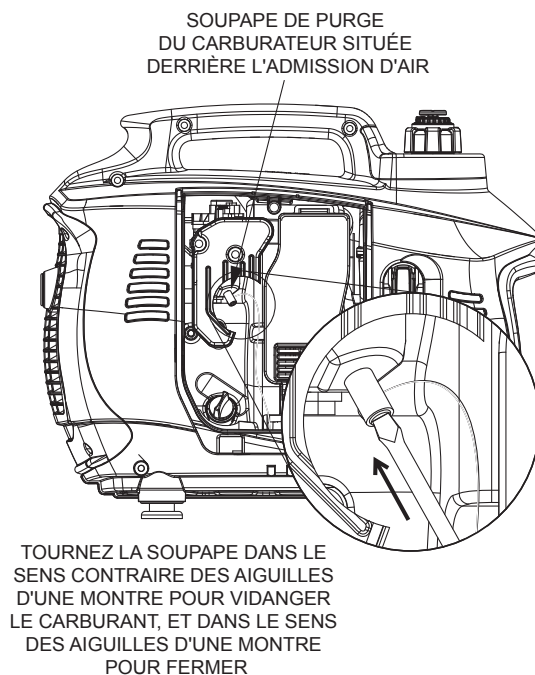
Il est important d'empêcher la formation des dépôts de gomme dans les pièces essentielles du circuit d'alimentation, comme le carburateur, le tuyau de carburant ou le réservoir pendant l'entreposage à long terme. En outre, l'expérience indique que les combustibles composés d'alcool (appelés essence-alcool, alcool éthylique, ou méthanol) peuvent attirer l'humidité, ce qui conduit à la séparation et à la formation d'acides ; ces acides peuvent endommager le circuit d'alimentation d'un moteur lorsque vous l'entreposez.

Pour éviter des problèmes de moteur, l'utilisation d'un stabilisateur commercial de carburant avant l'entreposage est recommandée. Suivez les instructions du fabricant lorsque vous ajoutez le stabilisateur de carburant.

Si la génératrice va être entreposée pendant plus de six (6) mois, la génératrice devrait être préparée comme suit :

1. Enlevez toute le carburant du réservoir de carburant.
2. Mettez en marche et faites fonctionner jusqu'à ce que le moteur s'arrête à cause de la manque de carburant ou ouvrez la soupape sur la cuve du carburateur (Figure 13), et permettez au carburant d'écouler à travers le tube dans un récipient. Jetez convenablement. Assurez-vous de fermer la soupape une fois que le carburant s'est écoulé.

Figure 13 - Valve de purge du carburateur



3. Tandis que le moteur est encore chaud, évacuez l'huile du carter du moteur. Recharger avec le degré recommandé.
4. Enlevez les bougies d'allumage et versez à peu près 1/2 once (15 ml) d'huile à moteur dans les cylindres. Couvrir le trou de la bougie d'allumage avec un chiffon. Tirez sur le câble de démarrage plusieurs fois pour enduire les murs du cylindre d'huile à moteur.
5. Installez et serrez la bougie d'allumage.

6. Nettoyez les surfaces extérieures de la génératrice. Vérifier que les fentes et les ouvertures d'air de refroidissement sur la génératrice soient ouvertes et dégagées.

7. Conserver l'unité dans un endroit propre et sec.

Ne pas conserver du carburant d'une saison à l'autre.

Si possible, entreposez l'unité à l'intérieur et couvrez-la pour la protéger contre la poussière et la saleté.

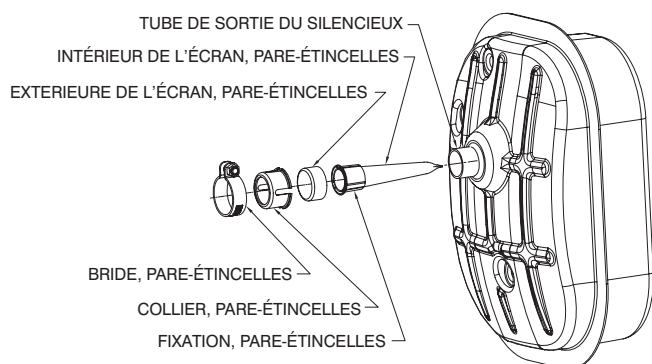
NETTOYER L'ÉCRAN PARE-ÉTINCELLES (50 ÉTAT)

Le pot d'échappement du moteur comporte un écran de pare-étincelles. Inspectez et nettoyez l'écran toutes les 50 heures de fonctionnement ou une fois par année, selon la première éventualité.

Nettoyez et inspectez le pare-étincelles comme suit :

- Retirez le dispositif de retenue de l'écran en retirant la bride de retenue.
- Faites sortir du tube de sortie du pot d'échappement l'écran du pare-étincelles en faisant glisser ce dernier.
- Inspectez l'écran et remplacez-le s'il est déchiré, perforé or endommagé. N'utilisez JAMAIS un écran défectueux. Si l'écran n'est pas endommagé, nettoyez-le avec un solvant commercial.
- Remettez l'écran et le dispositif de retenue en place et fixez-le à l'aide de la bride de retenue.

Schéma 12 - Écran du pare-étincelles



GUIDE DE DÉPANNAGE

PROBLÈME	CAUSE	ACTION CORRECTRICE
Le moteur ne démarre pas.	<ol style="list-style-type: none"> 1. Panne de carburant. 2. Robinet à carburant fermé. 3. Bougie d'allumage défectueuse. 4. Filtre à carburant branché. 5. Interrupteur d'arrêt du moteur défectueux ou coincé. 	<ol style="list-style-type: none"> 1. Ajoutez du carburant au réservoir. 2. Ouvrez le robinet. 3. Remplacez la bougie d'allumage. 4. Remplacez le filtre à carburant. 5. Remplacez l'interrupteur de départ du moteur.
Le moteur démarre puis s'arrête.	<ol style="list-style-type: none"> 1. Niveau bas de carburant. 2. Événement du réservoir de carburant fermé. 3. Niveau d'huile à moteur incorrect. 4. Carburant contaminé. 5. Interrupteur du niveau bas d'huile défectueux. 6. Bobine d'allumage défectueuse. 	<ol style="list-style-type: none"> 1. Ajoutez du carburant au réservoir. 2. Ouvrez l'événement du réservoir de carburant. 3. Vérifiez le niveau d'huile à moteur, ajoutez ou vidangez comme nécessaire. 4. Remplacez le filtre à carburant. 5. Remplacez l'interrupteur du niveau bas d'huile . 6. Remplacez la bobine d'allumage.
Le moteur est irrégulier.*	<ol style="list-style-type: none"> 1. Le volet de départ est coincé ou reste allumé. 2. Filtre à air obstrué ou sale. 3. Bougie d'allumage défectueuse ou sale. 4. Filtre à carburant sale. 5. Commutateur EcoMode défectueux . 	<ol style="list-style-type: none"> 1. Mettez le volet de départ en arrêt. 2. Nettoyez ou remplacez l'élément du filtre à air. 3. Remplacez la bougie d'allumage. 4. Remplacer le carburant et le filtre à carburant. 5. Remplacez le commutateur EcoMode.
Aucune prise CA.	<ol style="list-style-type: none"> 1. La génératrice est surchargée (le voyant LED SURCHARGE est activé et le voyant PRÊT LED est en train de clignoter, Voir la section d'Identification du panneau de contrôle). 2. La tension CA est faible (le voyant LED SURCHARGE est activé et le voyant PRÊT LED est en train de clignoter, Voir la section d'Identification du panneau de contrôle). 3. Le module de l'inverseur est surchauffé (le voyant LED SURCHARGE est activé et le voyant PRÊT LED est en train de clignoter, Voir la section d'Identification du panneau de contrôle). 4. Le court-circuit est un dispositif électrique (le voyant LED SURCHARGE est activé et le voyant PRÊT LED est en train de clignoter, Voir la section d'Identification du panneau de contrôle). 5. Assemblage du convertisseur défectueux. 	<ol style="list-style-type: none"> 1. Arrêtez la génératrice pour réinitialiser le module. Réduisez les charges et réinitialisez la génératrice. 2. Vérifiez si le volet de départ est en ARRÊT. 3. Vérifiez que porte de service est allumé. Laissez refroidir pendant 15 minutes et réinitialisez la génératrice. 4. Vérifiez l'état de toutes les rallonges et de tous les articles étant actionnés. 5. Remplacez l'assemblage du convertisseur.
Aucune prise DC. **	<ol style="list-style-type: none"> 1. Le disjoncteur de CC est ouvert. 2. Disjoncteur de CC défectueux. 3. Redresseur défectueux. 	<ol style="list-style-type: none"> 1. Réinitialisez le disjoncteur de CC. 2. Remplacez le disjoncteur de CC. 3. Remplacez le redresseur.
Fuites de carburant à partir des tuyaux de vidange.	<ol style="list-style-type: none"> 1. Circuit d'alimentation trop amorcé (inondé). 2. Le drain du carburateur dans la cuve n'est pas fermé. 	<ol style="list-style-type: none"> 1. Laissez la génératrice reposer 15 minutes avant la remettre en marche. 2. Tournez la soupape dans le sens des aiguilles d'une montre pour fermer.

* La vitesse du moteur augmente et diminue - C'est normale quand la génératrice démarre et pendant que les charges varient.

** Vérifiez que Commutateur EcoMode est en position « OFF » (O).

Free Manuals Download Website

<http://myh66.com>

<http://usermanuals.us>

<http://www.somanuals.com>

<http://www.4manuals.cc>

<http://www.manual-lib.com>

<http://www.404manual.com>

<http://www.luxmanual.com>

<http://aubethermostatmanual.com>

Golf course search by state

<http://golfingnear.com>

Email search by domain

<http://emailbydomain.com>

Auto manuals search

<http://auto.somanuals.com>

TV manuals search

<http://tv.somanuals.com>