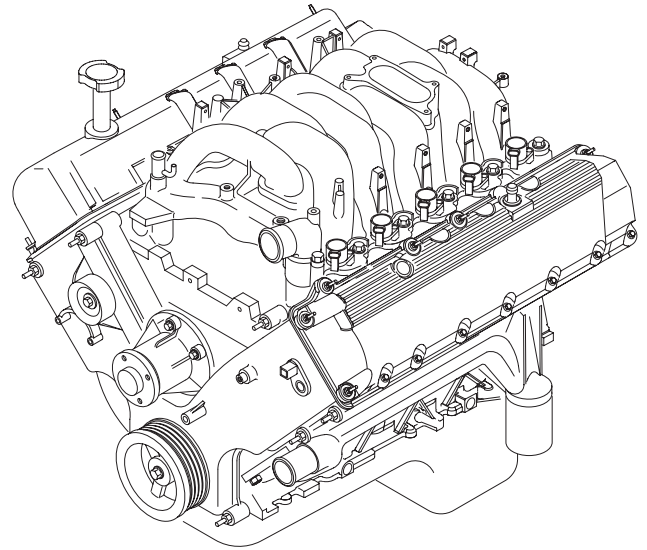


**OE6478**

**GENERAC<sup>®</sup>**  
POWER SYSTEMS, INC.



**6.8** LITER

**G A S**

**FORD**  
**ENGINE**  
**PARTS**  
**MANUAL**

**P.O. BOX 310 EAGLE WI 53119**

**PRINTED IN U.S.A.**

**Revision 0: 08/29/03**



## 6.8L GAS TABLE OF CONTENTS

QUICK REFERENCE GUIDE .....	2
SERVICE RECOMMENDATIONS .....	3
ENGINE LOWER .....	8
ENGINE UPPER .....	12
ENGINE FRONT .....	14
COOLING SYSTEM .....	16
INTAKE AND IGNITION SYSTEM .....	18
ENGINE COMMON PARTS:	
LEFT HAND SIDE (DIRECT DRIVE UNITS) .....	20
LEFT HAND SIDE (GEAR BOX UNITS) .....	22
RIGHT HAND SIDE (DIRECT DRIVE UNITS, OPEN SET - NO ENCLOSURE) .....	24
RIGHT HAND SIDE (DIRECT DRIVE UNITS, CLOSED SET - W/ ENCLOSURE) .....	26
RIGHT HAND SIDE (GEAR BOX UNITS, OPEN SET - NO ENCLOSURE) .....	28
RIGHT HAND SIDE (GEAR BOX UNITS, CLOSED SET - W/ ENCLOSURE) .....	30

## LEGEND

**“AR” AS REQUIRED**  
**“STD” STANDARD SIZE**  
**“O.S.” OVERSIZE**  
**“U.S.” UNDERSIZE**  
**“NA” NOT AVAILABLE**

### NOTICE!

**THE INFORMATION IN THIS MANUAL IS KNOWN TO BE ACCURATE AS OF THE DATE OF RELEASE SHOWN ON THE COVER. HOWEVER, ENGINEERING CHANGES CAN OCCUR WITHOUT NOTICE. TO OBTAIN THE PROPER PARTS, PLEASE BE SURE TO USE THE MODEL NUMBER OF THE UNIT BEING SERVICED WHEN ORDERING FROM THIS MANUAL.**

## 6.8L GAS QUICK REFERENCE GUIDE

### QUICK REFERENCE ENGINE PARTS

PART NUMBER	DESCRIPTION	QTY
0D5419	FILTER ASY. - OIL	1
0D34540114	PISTON RING SET STD (2 PISTONS)	5
0D34540115	PISTON RING SET .020"/.50MM O/S	5 AR
0D34540203	CAP - OIL FILLER	1
0D34540123	SLINGER-CRANKSHAFT OIL REAR	1
0D34540126	SEAL-CRANKSHAFT REAR	1
0D34540213	CHAIN-TIMING	2
0D34540232	PUMP ASY & SEAL-WATER	1
0D34540233	SEAL-WATER PUMP	1
0D34540235	SEAL-THERMOSTAT (O-RING)	1
0D34540238	THERMOSTAT ASSY-WATER	1
0D34540249	COIL & BOOT ASY-IGNITION	10
0D34540186	SPARK PLUG (PLATINUM) .044 GAP	10
0D3488	BELT SERPENTINE 67.5" (DIRECT DRIVE)	1
0D3488A	BELT SERPENTINE 70" (GEAR BOX)	1
0A1232	D.C. ALTERNATOR ASSY	1
0D5418	STARTER MOTOR FORD V-10 ENGINE	1
0A8584	SWITCH OIL PRESSURE	1
053667	SENDER WATER TEMP	1
053666	SENDER OIL PRESSURE	1

## 6.8L GAS SERVICE RECOMMENDATIONS

### ◆ ENGINE OIL RECOMMENDATIONS

The unit has been filled with “break in” engine oil at the factory. Use a high-quality detergent oil classified “For Service CC, SD, SE or SF.” Detergent oils keep the engine cleaner and reduce carbon deposits. Use oil having the following SAE viscosity rating, based on the ambient temperature range anticipated before the next oil change:

#### Engine Lubrication System:

Crankcase Oil Capacity .....6.8 L (7 U.S. qts.)

Temperature	Oil Grade (Recommended)
Above 80° F (27° C)	SAE 30W or 15W-40
30° to 80° F (-1° to 27° C)	SAE 20W-20 or 15W-40
Below 32° F (0° C)	SAE 10W or 15W-40

### ◆ COOLANT

Use a mixture of half low silicate, ethylene glycol base antifreeze and half soft water. Use only soft water and only low silicate antifreeze. If desired, you may add a high quality rust inhibitor to the recommended coolant mixture. When adding coolant, always add the recommended 50-50 mixture.

#### Cooling System:

CCoolant Capacity

System.....23.7 L (6.3 U.S. gals.)

Engine .....12.3 L (3.3 U.S. gals.)

### —▲ DANGER ▲—

- ▲ Do not remove the radiator pressure cap while the engine is hot or serious burns from boiling liquid or steam could result.
- ▲ Ethylene glycol base antifreeze is poisonous. Do not use your mouth to siphon coolant from the radiator, recovery bottle or any container. Wash your hands thoroughly after handling. Never store used antifreeze in an open container because animals are attracted to the smell and taste of antifreeze even though it is poisonous to them.

### —▲ CAUTION ▲—

- ▲ Do not use any chromate base rust inhibitor with ethylene glycol base antifreeze, or chromium hydroxide (“green slime”) will form and cause overheating. Engines that have been operated with a chromate base rust inhibitor must be chemically cleaned before adding ethylene glycol base antifreeze. Using any high silicate antifreeze boosters or additives also will cause overheating. We also recommend that you DO NOT use any soluble oil inhibitor for this equipment.

## 6.8L GAS SERVICE RECOMMENDATIONS

### 35 KW - 200 KW STANDBY GAS ENGINE DRIVEN GENERATOR SETS

Following is a recommended maintenance schedule for Generac standby gas engine driven generator sets from 35 kW to 200 kW in size. The established intervals in the schedule are the *maximum* recommended when the unit is used in an average service application. They will need to be decreased (performed more frequently) if the unit is used in a severe application. Use the unit hour meter or calendar time, whichever occurs first, from the previous maintenance interval to determine the next required maintenance interval.

#### Service Maintenance Interval Information:

The various service maintenance intervals are designated by interval numbers as follows:

- 1 An early inspection of the generator set to insure it is ready to operate when required and to identify any potential problem areas.

*Performed monthly or following each 10 hours of operation of the unit and requires approximately .5 man-hours per unit to complete.*

*This inspection may be performed by the end user providing the following safety steps are taken to prevent the engine from starting automatically without warning:*

**To prevent injury, perform the following steps in the order indicated before starting any maintenance:**

- **Disable the generator set from starting and/or connecting to the load by setting the control panel Auto-Off-Manual switch to the "OFF" position.**
- **Remove the control panel fuse.**
- **Turn off the battery charger.**
- **Remove the negative battery cable.**

**The battery charger must be turned off BEFORE removing the battery cable to prevent an over current condition from burning out sensitive control panel components and circuits.**

**Following all maintenance, reverse these steps to insure the unit is returned to standby setup for normal operation when required.**

- 2 A break-in service inspection of the generator set to insure it is ready to operate and carry the load when required, and to identify any potential problem areas.

*Performed **ONLY ONCE** following the first three months or the first 30 hours of operation after purchase of the unit and requires approximately 2.5 man-hours per unit to complete.*

*This inspection contains some maintenance tasks which require special tools, equipment, and/or knowledge to accomplish and should be performed only by an authorized Generac Service Dealer.*

- 3 An operational inspection of the generator set to insure it is ready to operate and carry the load when required, and to identify any potential problem areas.

*Performed semi-annually or following each 50 hours of operation of the unit and requires approximately 1.5 man-hours per unit to complete.*

*This inspection contains some maintenance tasks which require special tools, equipment, and/or knowledge to accomplish and should be performed only by an authorized Generac Service Dealer.*

- 4 A mid-level inspection of the generator set to insure it is ready to operate and carry the load when required, and to identify any potential problem areas.

*Performed annually or following each 100 hours of operation of the unit and requires approximately 5.0 man-hours per unit to complete.*

*This inspection contains some maintenance tasks which require special tools, equipment, and/or knowledge to accomplish and should be performed only by an authorized Generac Service Dealer.*

**NOTE: Add 20% to all times for 8 cylinder or larger engines.**

# GENERAC POWER SYSTEMS, INC.

## RECOMMENDED SCHEDULED MAINTENANCE PROGRAM SERVICE WORK TO BE PERFORMED BY FACTORY-TRAINED PERSONNEL ONLY.

### DEALER INFORMATION

NAME: \_\_\_\_\_  
ACCOUNT #: \_\_\_\_\_  
ADDRESS: \_\_\_\_\_  
\_\_\_\_\_  
PHONE: \_\_\_\_\_  
TECHNICIAN: \_\_\_\_\_  
SIGNATURE: \_\_\_\_\_

### OWNER INFORMATION

NAME: \_\_\_\_\_  
ADDRESS: \_\_\_\_\_  
\_\_\_\_\_  
SITE: \_\_\_\_\_  
PHONE: \_\_\_\_\_  
SIGNATURE: \_\_\_\_\_

PURCHASE DATE: \_\_\_\_\_ START-UP DATE: \_\_\_\_\_

APPLICATION: \_\_\_\_\_ Standby Power \_\_\_\_\_ Prime Power \_\_\_\_\_ Rental/Trailerized

### GENERATOR & TRANSFER SWITCH INFORMATION

#### GENERATOR

MODEL NUMBER: \_\_\_\_\_  
SERIAL NUMBER: \_\_\_\_\_

#### TRANSFER SWITCH

MODEL NUMBER: \_\_\_\_\_  
SERIAL NUMBER: \_\_\_\_\_

HOOR METER READING *at Completion of the Inspection*: \_\_\_\_\_

### ▲ WARNING! ▲

To prevent injury, perform the following steps in the order indicated before starting any maintenance:

- Disable the generator set from starting and/or connecting to the load by setting the control panel Auto-Off-Manual switch to the "OFF" position.
- Remove the control panel fuse.
- Turn off the battery charger.
- Remove the negative battery cable.

### NOTE:

*The battery charger must be turned off BEFORE removing the battery cable to prevent an over current condition from burning out sensitive control panel components and circuits.*

Following all maintenance, reverse these steps to insure the unit is returned to standby setup for normal operation when required.

## 6.8L GAS SERVICE RECOMMENDATIONS

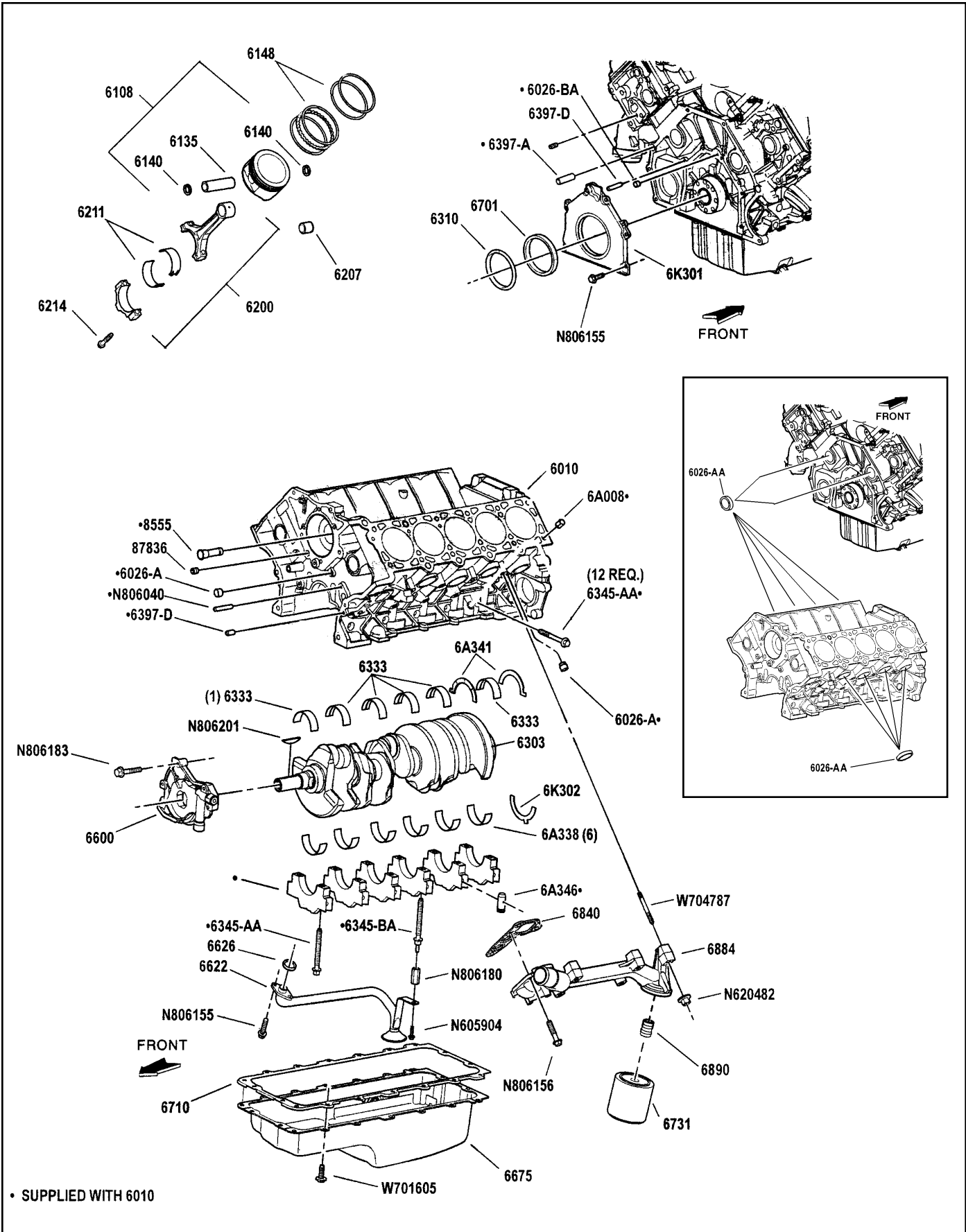
Maintenance Tasks	Level 1	Task Comp. (Date-Initials)	Level 2	Task Comp. (Date-Initials)	Level 3	Task Comp. (Date-Initials)	Level 4	Task Comp. (Date-Initials)
	Recommended to be done monthly/ 10 hrs.		Required to be done 3 months/ Break-in 30 hrs.		Required to be done Semi-annually/ 50 hrs.		Required to be done Annually/ 100 hrs.	
1. Disable the unit from operating per the first page warning.	○		○		○		○	
2. Check the engine oil level. Adjust as necessary.	○		○		○		○	
3. Check the engine coolant level. Adjust as necessary.	○		○		○		○	
4. Check the engine coolant thermal protection level. Correct as necessary.							○	
5. Check the natural gas delivery system. Tighten connections as necessary.			○		○		○	
6. Check the air inlets and outlets for debris. Clean as necessary.	○		○		○		○	
7. Check the battery electrolyte level if accessible. Adjust as necessary.	○		○		○		○	
8. Check the battery posts, cables, and charger for loose connections, corrosion, and proper operation. Correct as necessary.	○		○		○		○	
9. Check the unit wiring for loose connections, corrosion, and damage. Correct as necessary.							○	
10. Check the engine accessory drive belts for wear, weather cracking and damage. Replace as necessary.							○	
11. Visually inspect the unit looking for leaks, wear or damage, loose connections or components, and corrosion. Correct as necessary.	○		○		○		○	
12. Test the engine and transfer switch safety devices. Correct and/or adjust as necessary.							○	



## 6.8L GAS SERVICE RECOMMENDATIONS

<b>Maintenance Tasks</b>	<b>Level 1</b> Recom- mended to be done monthly/ 10 hrs.	Task Comp. (Date- Initials)	<b>Level 2</b> Required to be done 3 months/ Break-in 30 hrs.	Task Comp. (Date- Initials)	<b>Level 3</b> Required to be done Semi- annually/ 50 hrs.	Task Comp. (Date- Initials)	<b>Level 4</b> Required to be done Annually/ 100 hrs.	Task Comp. (Date- Initials)
13. Initiate an automatic start and transfer of the unit to site load and exercise it for at least 1 hour looking for leaks, loose connections or components, and abnormal operating conditions. Correct as necessary.			○		○			
14. Start and exercise the unit at full rated load (use a load bank if the site load is not enough) for at least 2 hours looking for leaks, loose connections or components, and abnormal operating conditions. Correct as necessary.							○	
15. Change the engine oil.			○				○	
16. Replace the engine oil filter(s).			○				○	
17. Replace the engine air filter(s).							○	
18. Check the engine spark plugs. Clean and re-gap or replace as necessary.			○				○	
19. Perform a 5 minute no-load operational run of the unit looking for any post service problems.			○				○	
20. Return the unit to standby setup for operation when required.	○		○		○		○	

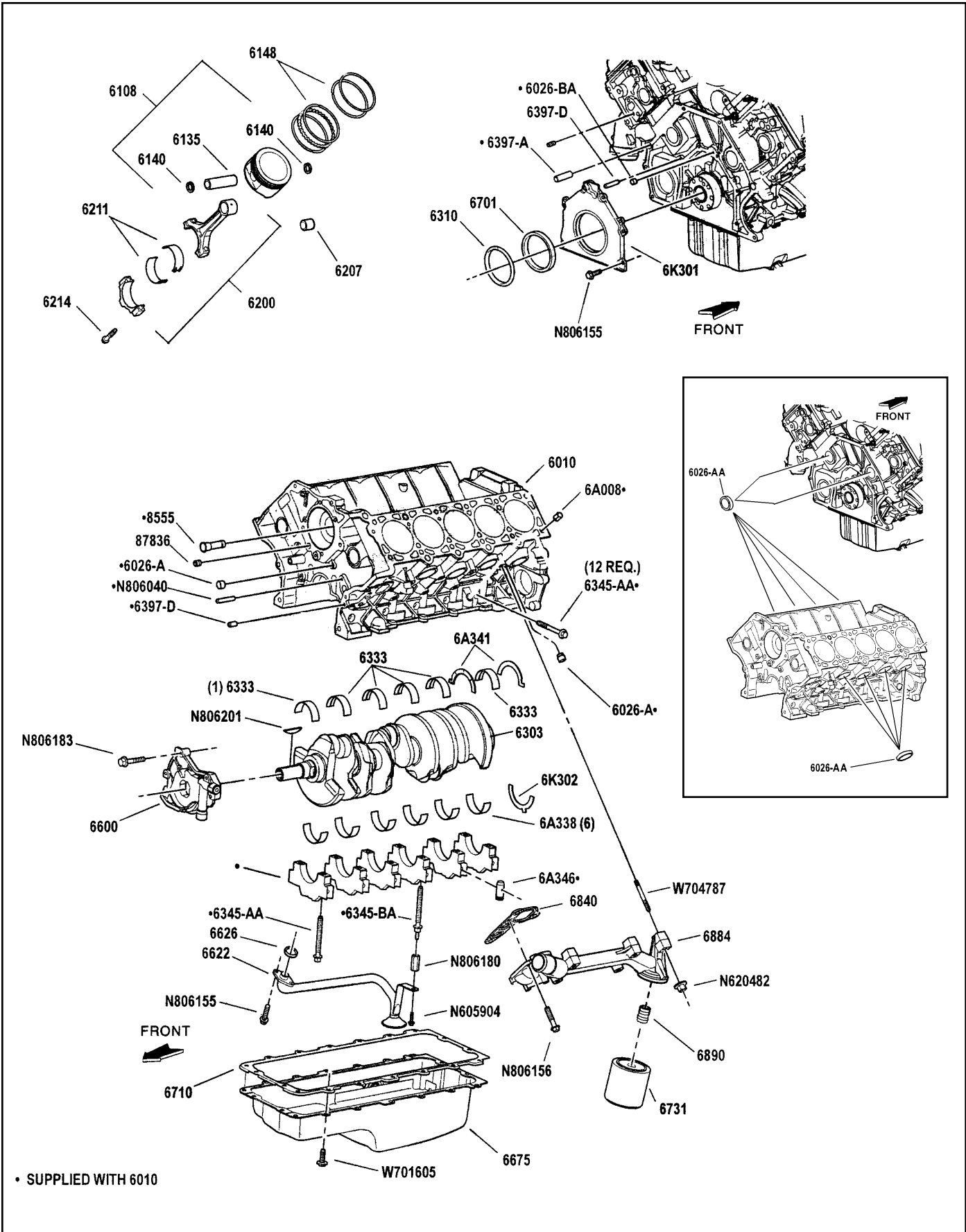
# 6.8L GAS ENGINE LOWER



## 6.8L GAS ENGINE LOWER

ITEM	PART NUMBER	DESCRIPTION	QTY
6010	0D34540100	CYL BLOCK LESS CRKSHFT,PISTONS	1
6026AA	0D34540101	PLUG 1.75" STAINLESS STEEL CUP (4 EA. LEFT/RIGHT, 2 REAR)	10
6026A	0D34540102	PLUG-CL BLK FRT 13.84MM	2
6026A	0D34540103	PLUG-CYL BLK REAR 3/8-18X.425	2
6026BA	0D34540104	PLUG-38.3MM CUP STAINLESS STEEL	2
6397D	0D34540105	PIN-DOWEL 8.0 X 18.25 TIMING COVER	2
8555	0D34540106	TUBE ASSY - HEATER WATER	1
N806040	0D34540107	PIN-DOWELL (SOLID) 8.0 X 45.5	2
6A008	0D34540108	PIN-DOWELL, CYL HEAD 16.0 X 19.0	4
6108	0D34540109	PISTON & PIN ASSY - STD	10
6108	0D34540110	PINSTON & PIN ASSY 0.25MM O.S.	AR
6108	0D34540111	PISTON & PIN ASSY 0.50MM O.S.	AR
6135	0D34540112	PIN - PISTON	10
6140	0D34540113	RETAINER - PISTON PIN	20
6148	0D34540114	PISTON RING SET STD (2 PISTONS)	5
6148	0D34540115	PISTON RING SET .020"/.50MM O.S.	5 AR
6200	0D34540116	ROD-CONNECTING	10
6207	0D34540117	BUSHING-CONNECTING ROD	10
6211	0D34540118	BEARING-CONNECTING ROD	20
	0D34540119	BRG-CONN ROD .020"/50MM U.S.	AR
6214	0D34540120	BOLT-CONNECTING ROD	20
6K301	0D34540121	RETAINER-CRANKSHAFT OIL SEAL	1
6303	0D34540122	CRANKSHAFT ASSY	1
6310	0D34540123	SLINGER-CRANKSHAFT OIL REAR	1
N806201	0D34540124	KEY-WOODRUFF 4.76 X 49	1
6397A	0D34540125	PIN-FLYWHL 16.0X25.0 HOLLOWDWL	2
6397D	0D34540105	PIN-DOWEL 8.0 X 18.25 TIMING COVER	2
6701	0D34540126	SEAL-CRANKSHAFT REAR	1
N806155	0D34540305	SCREW & WASHER M6 X 1.0 X 27.5	6
6333	0D34540127	BRG-CRKSFT MAIN UPR STD (GRD 2)	5
6333	0D34540128	BRG-CRKSFT MAIN UPR STD (GRD 1)	5 AR
6333	0D34540129	BRG-CRKSFT MAIN UPR STD (GRD 3)	5 AR
6333	0D34540130	BRG-CRKSFT MAIN UPR .25MM U.S.	5 AR
6A341	0D34540131	BRG-CRKSFT THRUST UPPER STD	2
6333	0D34540132	BRG-CRKSFT MAIN UPR STD #1 GD2	1
6333	0D34540133	BRG-CRKSFT MN UPR STD #1 (GRD1)	1 AR
6333	0D34540134	BRG-CRKSFT MN UPR STD #1 (GRD3)	1 AR
6333	0D34540135	BRG-CRKSFT MN UPR STD#1 .25MM U.S.	1 AR
6A338	0D34540136	BRG-CRKSFT MAIN LWR (GRADE 2)	6
6A338	0D34540137	BRG-CRKSFT MAIN LWR (GRADE 1)	6 AR
6A338	0D34540138	BRG-CRKSFT MAIN LWR (GRADE 3)	6 AR
6A338	0D34540139	BRG-CRKSFT MN LWR .25MM U.S.	6 AR
6K302	0D34540140	WASHER-CRKSFT THRUST LOWER	1
6345-BA	0D34540142	STUDBOLT-CRKSFT MAIN BRG CAP M8 X 1.25 + M10 X 1.5 X 126	1
6345-AA	0D34540143	BOLT-CRKSFT MAIN BEARING CAP M10 X 1.5 X 94.5 HEX HEAD	11
		<b>(NOTE: Do not re-use removed bolts when replacing bearings!)</b>	
6345-AA	0D34540144	BOLT-CRKSFT MAIN BEARING CAP M9 X 1.25 X 53 HEX HEAD	12
6A346	0D34540145	DOWEL-MAIN BRG CAP TO BLOCK	12
6600	0D34540146	PUMP ASSY-OIL	1

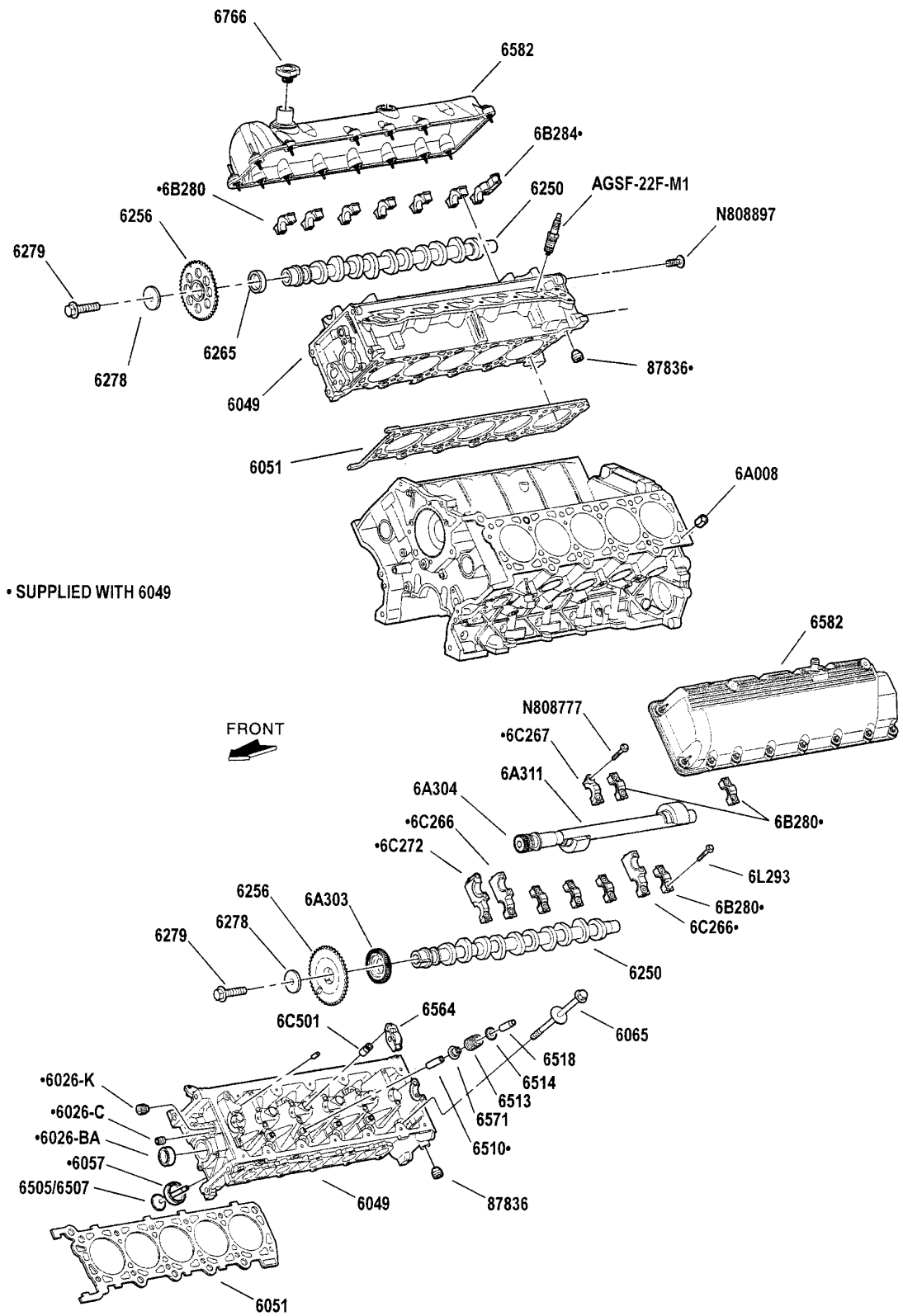
# 6.8L GAS ENGINE LOWER



**6.8L GAS ENGINE LOWER**

ITEM	PART NUMBER	DESCRIPTION	QTY
6622	0D34540147	SCREEN & COVER ASY-OIL PUMP	1
6626	0D34540148	SEAL-SCREEN & COVER ASSY	1
6675	0D34540150	PAN ASY-ENGINE OIL	1
6710	0D34540151	GASKET-OIL PAN	1
6731	0D5419	FILTER ASY. - OIL	1
6840	0D34540154	GASKET-OIL FILTER ADAPTOR	1
6884	0D34540155	ADAPTER-OIL FILTER	1
6890	0D34540156	INSERT-OIL FILTER MOUNTING	1
87836	0D34540187	PLUG-PIPE 1/8-27SOCKET HEX	1
N620482	0D34540158	NUT ADTR REAR/ENG STUD M10X1.5	1
N806155	0D34540305	SCREW & WASHER M6 X 1.0 X 27.5	6
N806156	0D34540159	BOLT-ADPTR/ENG M8X1.25X41 HEX	4
N806180	0D34540160	SPACER-SCRN & CVR M8X1.25X37.9	1
N806183	0D34540161	BOLT-OIL PUMP M6X1.0X42.5 HEX	3
N605904	0D34540162	BOLT-SCRN&CVR/SPACR M8X1.25X19	1
W701605	0D34540163	BOLT&WASHER M8X30 HEX FLANGE	18
W704787	0D34540164	STUD-ADAPTOR REAR TO ENGINE	1

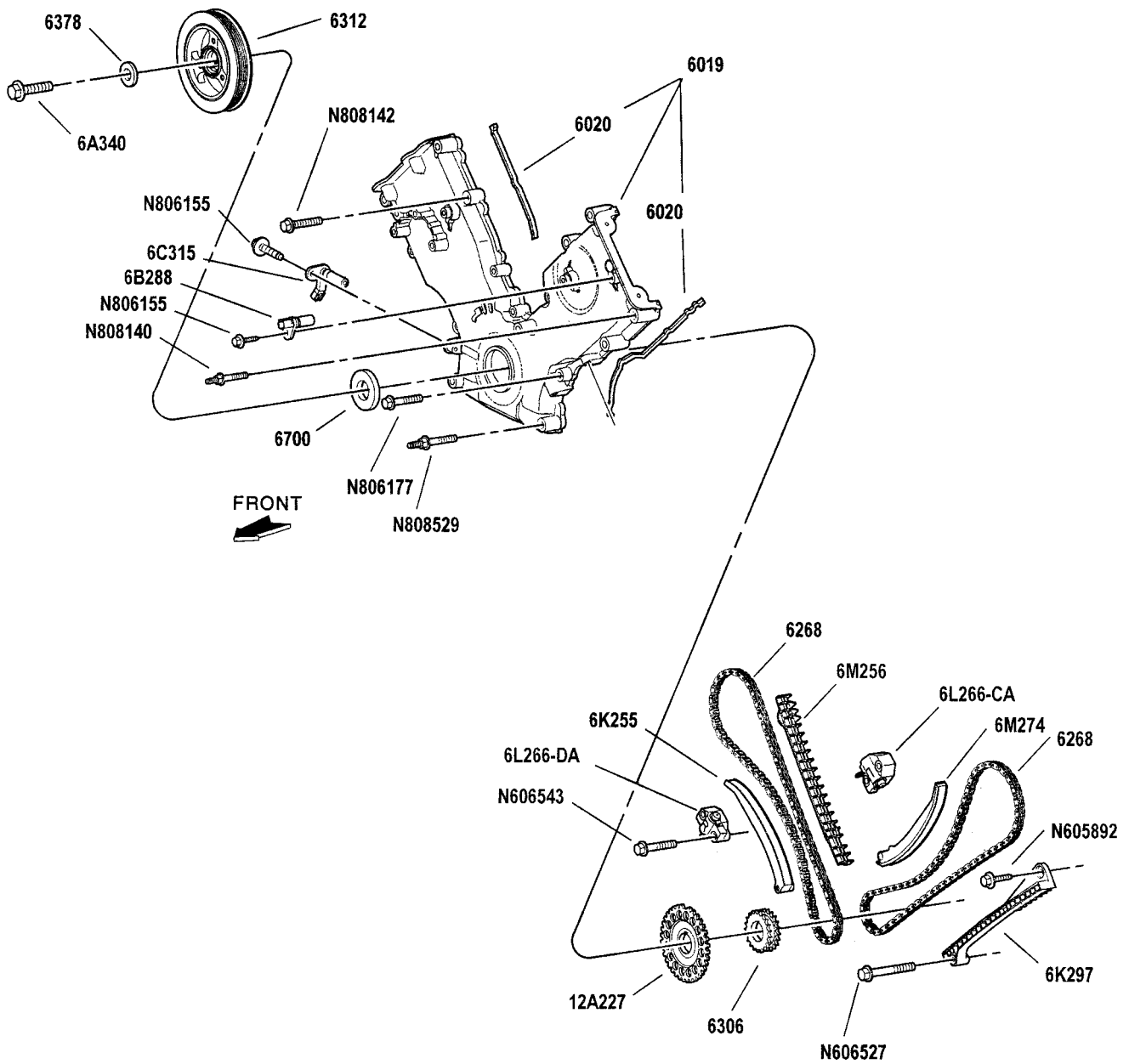
# 6.8L GAS ENGINE UPPER



## 6.8L GAS ENGINE UPPER

ITEM	PART NUMBER	DESCRIPTION	QTY
6A008	0D34540108	PIN-DOWEL, CYL HEAD 16.0X19.0	4
6026C	0D34540166	PLUG-CYL HD PRESS RELIEF	4
6026BA	0D34540104	PLUG-38.3MM CUP STAINLESS STEEL	2
6026K	0D34540167	PLUG-CYL HD MAIN OIL GALLERY	4
6049	0D34540168	CYL HD,RH W/O VLV W/INSRTS/GDS	1
6049	0D34540169	CYL HD,LH W/O VLVS W/INSRTS/GDS	1
6051	0D34540170	GASKET-CYLINDER HEAD RH	1
6051	0D34540171	GASKET-CYLINDER HEAD LH	1
6057	0D34540172	INSERT-VALVE SEAT INTAKE	10
6057	0D34540173	INSERT-VALVE SEAT EXHAUST	10
6065	0D34540174	BOLT-CYL HD HEX FLANGE HEAD	24
6L293	0D34540175	BOLT-CAM CAPS M6X1.0X42.5 HXFL	26
N808777	0D34540176	BOLT-CAP BALANCE SHAFT	6
6C501	0D34540177	ADJUSTER ASSY-VALVE LASH	20
6505	0D34540178	VALVE - EXHAUST	10
6507	0D34540179	VALVE - INTAKE	10
6510	0D34540180	GUIDE-INT & EXH VALVE STD	20
6513	0D34540181	SPRING - VALVE	20
6514	0D34540182	RETAINER-VALVE SPRING	20
6518	0D34540183	KEY-VALVE SPRING	40
6564	0D34540184	ARM-VALVE ROCKER	20
6571	0D34540185	SEAL-VALVE STEM	20
AGSF-22F-M1	0D34540186	SPARK PLUG (PLATINUM) .044 GAP	10
87836	0D34540187	PLUG-PIPE 1/8-27SOCKET HEX	2
6250	0D34540188	CAMSHAFT - RH	1
6250	0D34540189	CAMSHAFT - LH	1
6256	0D34540190	SPROCKET-CAMSHAFT RH	1
6256	0D34540191	SPROCKET-CAMSHAFT LH	1
6265	0D34540192	SPACER-CAMSHAFT SPROCKET RH	1
6278	0D34540193	WASHER-CAMSHAFT, FLAT HARDENED	2
6A303	0D34540194	GEAR-BALANCE SHFT (ON CAMSHFT)	1
6A304	0D34540195	GEAR, BAL SHFT DRV (ON BAL SHF)	1
6A311	0D34540196	SHAFT & GEAR ASY - BALANCE	1
6582	0D34540199	CVR & GASKET ASY-ROCKER ARM RH	1
6582	0D34540200	CVR & GASKET ASY-ROCKER ARM LH	1
6584		GASKET-ROCKER COVER (USE SEALANT *)	NA
NOT SHOWN	0D34540202*	SILICONE GASKET & SEALANT	AR
6766	0D34540203	CAP - OIL FILLER	1
6279	0D34540204	BOLT-CAMSHFT SPROCKET, HEX	2
N808897	NA	NOT SERVICED — PART OF CYLINDER HEAD	NA
•6B280	NA	SUPPLIED WITH CYLINDER HEAD, ITEM 6049	
•6B284	NA	SUPPLIED WITH CYLINDER HEAD, ITEM 6049	
•6C266	NA	SUPPLIED WITH CYLINDER HEAD, ITEM 6049	
•6C267	NA	SUPPLIED WITH CYLINDER HEAD, ITEM 6049	
•6C272	NA	SUPPLIED WITH CYLINDER HEAD, ITEM 6049	

# 6.8L GAS ENGINE FRONT

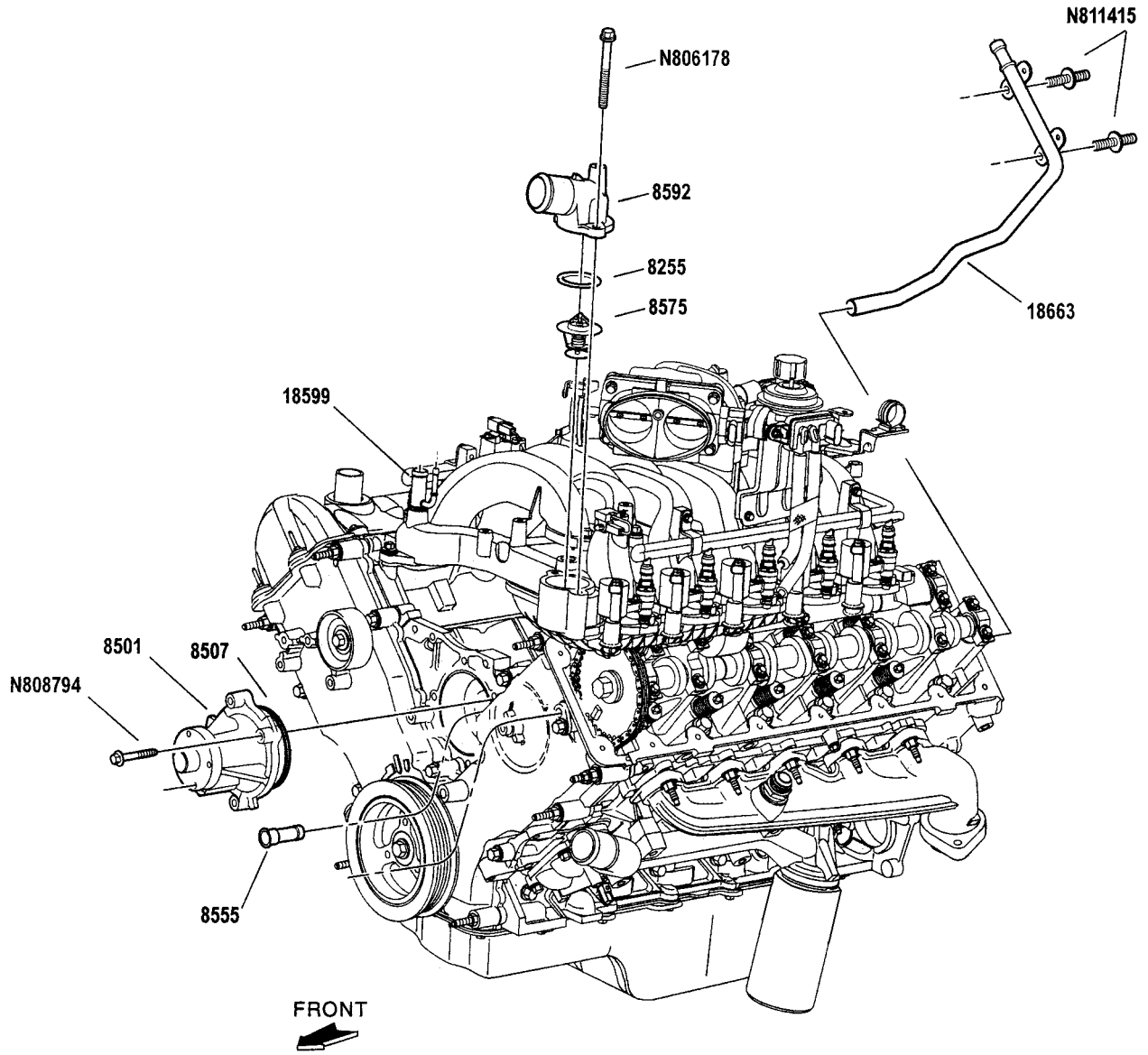




## 6.8L GAS ENGINE FRONT

ITEM	PART NUMBER	DESCRIPTION	QTY
6019	0D34540205	COVER & GASKETS ASSY-FRONT	1
6020	0D34540206	GASKET-COVER LH	1
6020	0D34540207	GASKET-COVER CENTER	1
6020	0D34540208	GASKET-COVER RH	1
6K255	0D34540209	ARM-TIMING CHAIN TENSIONER RH	1
6M256	0D34540210	GUIDE-TIMING CHAIN RH	1
6L266-CA	0D34540211	TENSIONER-TIMING CHAIN LH	1
6L266-DA	0D34540212	TENSIONER-TIMING CHAIN RH	1
6268	0D34540213	CHAIN-TIMING	2
6M274	0D34540214	ARM-TIMING CHAIN TENSIONER LH	1
6K297	0D34540215	GUIDE-TIMING CHAIN LH	1
6306	0D34540216	SPROCKET-CRANKSHAFT	1
6700	0D34540217	SEAL-CRANKSHAFT FRONT	1
12A227	0D34540218	RING-IGN PULSE CRKSHFT SENSOR	1
N605892	0D34540219	BOLT-TIMING CHAIN GUIDES	3
N606527	0D34540220	BOLT-TIMING CHAIN GUIDE LH, HEX	1
N606543	0D34540221	BOLT-TIMING CHAIN TENSIONERS	4
N806177	0D34540222	BOLT-FRONT CVR M8X1.25X53, HEX	5
N808140	0D34540223	STUD & WASHER-FRONT COVER	5
N808142	0D34540224	SCREW & WASHER-FRONT COVER	3
N808529	0D34540225	STUD-FRONT CVR M10X1.5X103	2
6312	0D34540226	DAMPER ASSY-CRANKSHAFT	1
6A340	0D34540227	BOLT-CRANKSHAFT DAMPER	1
6378	0D34540228	WASHER-CRKSHT DAMPER,FLAT HRD	1
6B288	0D34540230	SENSOR ASSY-CAMSHAFT POSITION	1
6C315	0D34540231	SENSOR ASSY-CRANKSHAFT	1
N806155	0D34540305	SCREW & WASHER M6 X 1.0 X 27.5	2

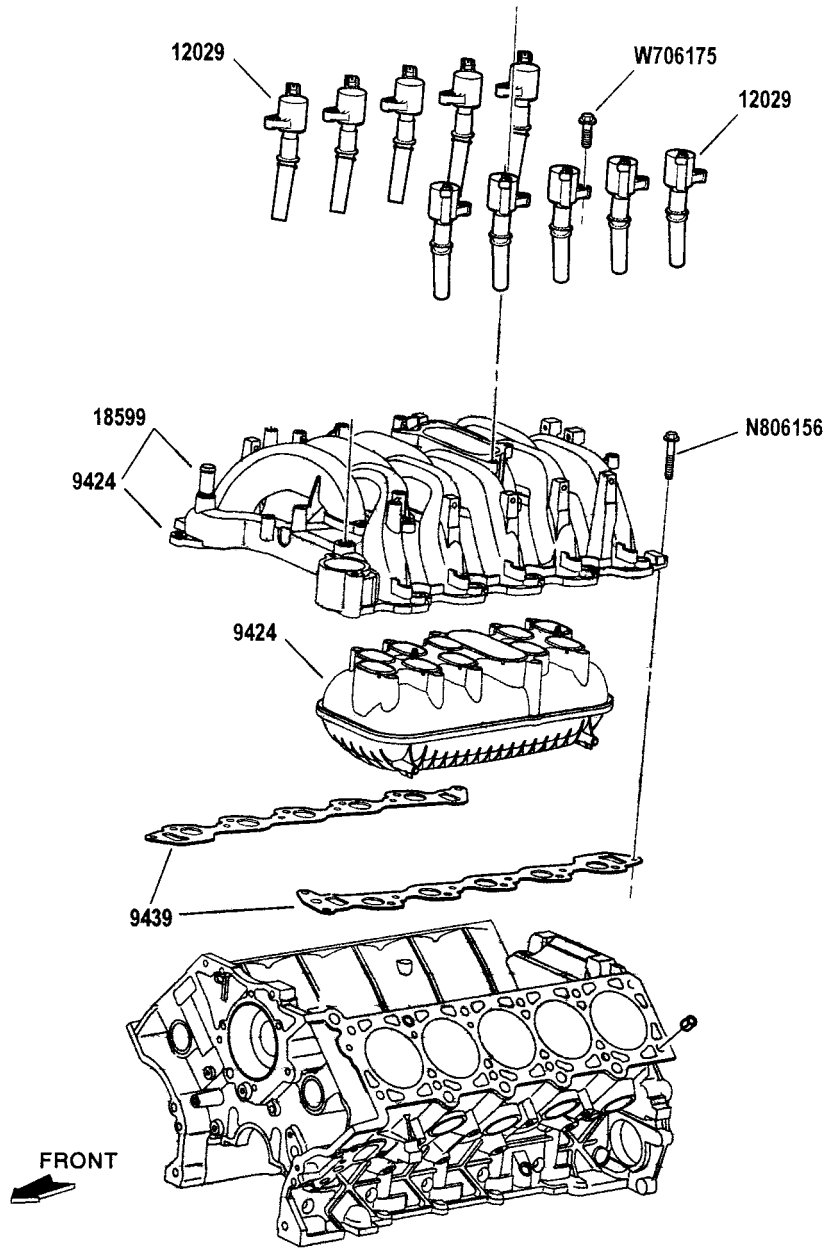
# 6.8L GAS COOLING SYSTEM



## 6.8L GAS COOLING SYSTEM

ITEM	PART NUMBER	DESCRIPTION	QTY
8501	0D34540232	PUMP ASY & SEAL-WATER	1
8507	0D34540233	SEAL-WATER PUMP	1
N808794	0D34540234	BOLT & WASHER-WATER PUMP	4
8255	0D34540235	SEAL-THERMOSTAT (O-RING)	1
8555	0D34540236	TUBE-WATER	1
8575	0D34540238	THERMOSTAT ASSY-WATER	1
8592	0D34540239	CONNECTION ASY-WATER OUTLET	1
18599	0D34540241	TUBE-INT MNFLD HEATER INLET	1
18663	0D34540242	TUBE-WATER HEATER	1
N806178	0D34540243	BOLT-THERMOSTAT/OUTLET CONNECT	2
N811415	0D34540244	STUD-HEATER TUBE, HEX	2

# 6.8L GAS INTAKE & IGNITION SYSTEM



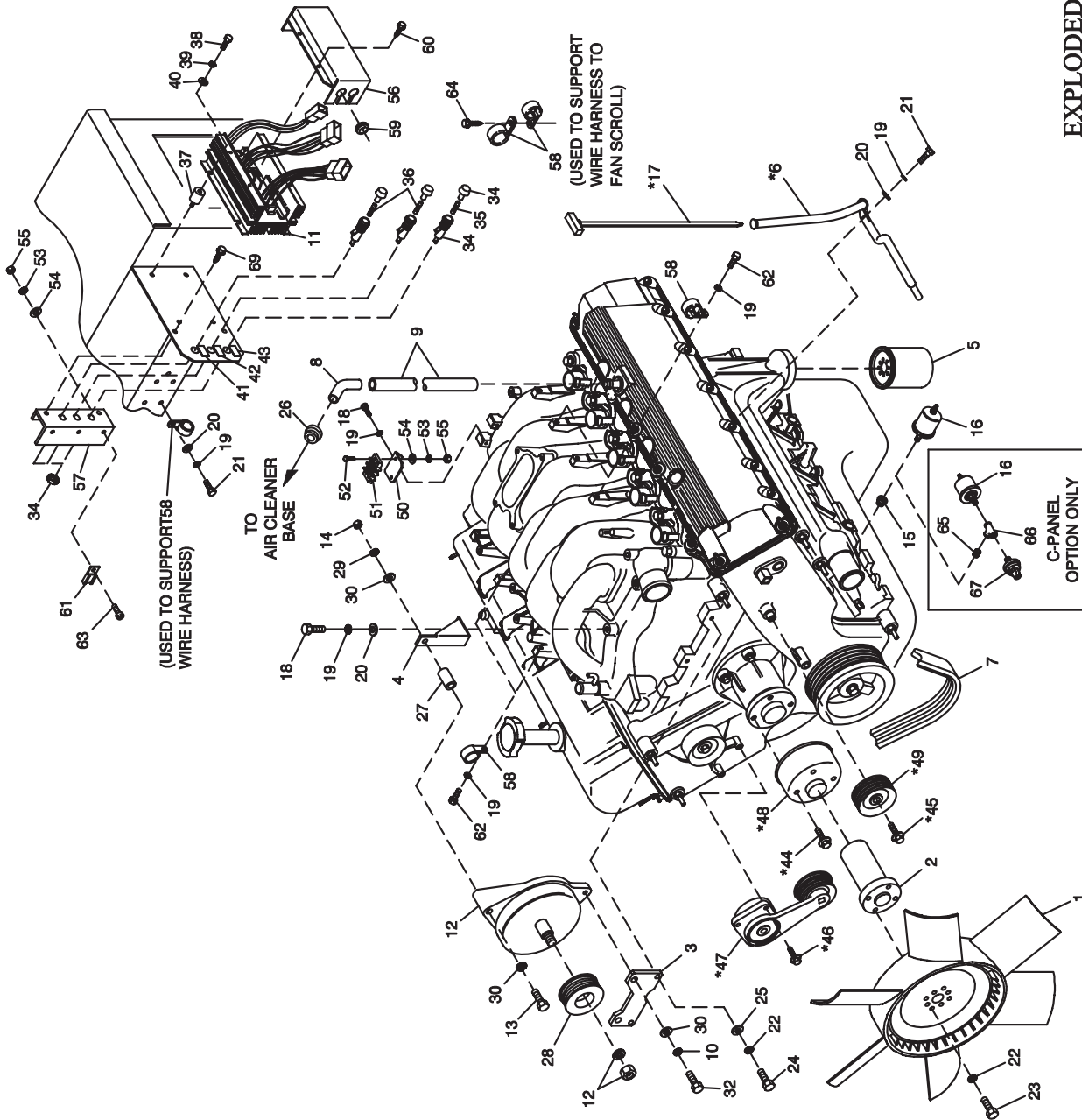
## 6.8L GAS INTAKE & IGNITION SYSTEM

ITEM	PART NUMBER	DESCRIPTION	QTY
9424	0D34540245	MANIFOLD ASY-INTAKE UPPER	1
9424	0D34540246	MANIFOLD-INTAKE LOWER	1
9439	0D34540247	GASKET-INT MNFLD TO CYL HEAD	2
18599	0D34540304	TUBE - INT MAN HEATER INLET	1
N806156	0D34540159	BOLT - M8 X 1.25 X 43MM	11
12029	0D34540249	COIL & BOOT ASY-IGNITION	10
W706175	0D34540252	BOLT-COIL ON PLUG M5 X 25 HEX	10

# 6.8L GAS ENGINE COMMON PARTS LH (DIRECT DRIVE UNITS)

## GROUP D

EXPLODED VIEW:  
ENGINE COMMON PARTS L/H SIDE(DIRECT DRIVE)  
DRAWING #: 0D6570



PAGE 1 OF 2

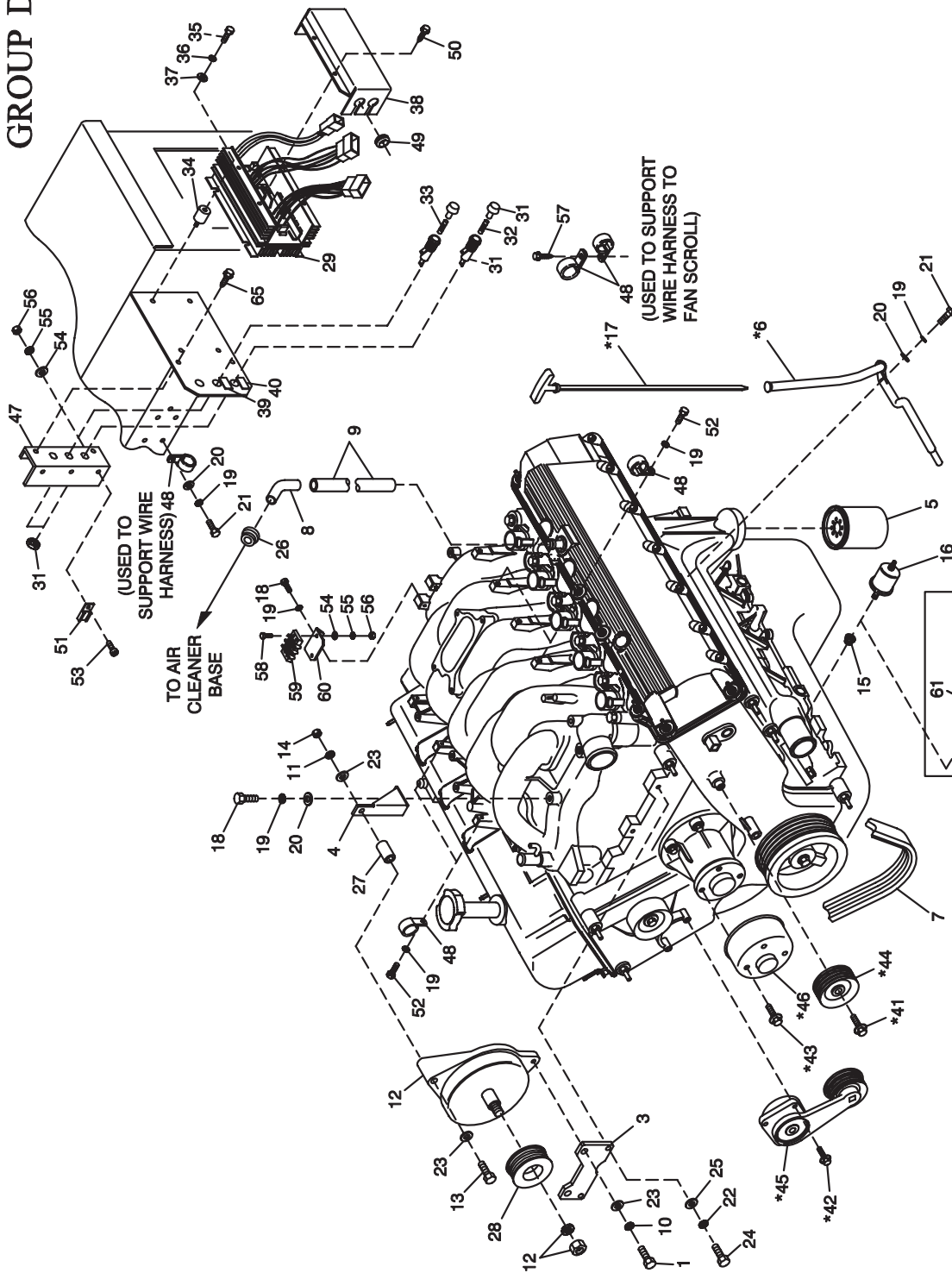
REVISION: F-9418-J  
DATE: 1/23/03

## 6.8L GAS ENGINE COMMON PARTS LH (DIRECT DRIVE UNITS)

ITEM	PART NUMBER	DESCRIPTION	QTY
1	0D3293A	FAN, COOLING 22" DIA KYSOR	1
2	0D2149	SPACER, FAN 6.8L	1
3	0D2843	BRKT, LWR, ALT 6.8L	1
4	0D2844	BRKT, UPR, ALT 6.8L	1
5	0D5419	OIL FILTER, FORD V-10 ENGINE	1
6	0D7055	DIPSTICK TUBE, FORD 6.8L	1
7	0D3488	BELT SERPENTINE 67.5" (DIRECT DRIVE)	1
8	057795	CONNECTOR C/C VENT	1
9	0A6283	HOSE PREFORMED BLOCK HEATER	1
10	046526	WASHER LOCK M10	2
11	0D1744	6.8L,IGN CONTROL,SCH ASSY	1
12	0A1232	D.C. ALTERNATOR ASSY	1
13	031678	SCREW HHC 3/8-16 X 3-3/4 G5	1
14	022241	NUT HEX 3/8-16 STEEL	1
15	055476	BUSHING REDUCER 3/8 TO 1/8 GAL	1
16	053666	SENDER OIL PRESSURE	1
17	0D6658	DIPSTICK, 6.8L FORD	1
18	047411	SCREW HHC M6-1.0 X 16 G8.8	2
19	022097	WASHER LOCK M6-1/4	8
20	022473	WASHER FLAT 1/4 ZINC	3
21	042568	SCREW HHC M6-1.0 X 20 G8.8	2
22	022129	WASHER LOCK M8-5/16	6
23	022142	SCREW HHC 5/16-18 X 3/4 G5	4
24	039253	SCREW HHC M8-1.25 X 20 G8.8	2
25	022145	WASHER FLAT 5/16 ZINC	2
26	057796	GROMMET	1
27	0A5737B	SPACER, DC ALT. 25LG	1
28	0D3507	ALTERNATOR PULLEY 84 O.D.	1
29	022237	WASHER LOCK 3/8	1
30	022131	WASHER FLAT 3/8-M10 ZINC	4
31	0D3784	HARNESS, 6.8L ENGINE (E-PANEL) (NOT SHOWN)	1
	0D3784A	HARNESS,ENGINE 6.8L (C-PANEL) (NOT SHOWN)	1
32	049814	SCREW HHC M10-1.5 X 25 G8.8	2
33	0D7801	WIRE HARNESS, 6.8L IGN. SYSTEM (NOT SHOWN)	1
34	032300	HOLDER FUSE	3
35	086310	FUSE 2A X AGC2	1
36	028578	FUSE 10A X AGC10	2
37	034125	VIB MNT .5 X .62 X #10-32	4
38	033121	SCREW HHC #10-32 X 1/2	4
39	022152	WASHER LOCK #10	4
40	023897	WASHER FLAT #10 ZINC	4
41	0D8031	DECAL, GOVERNOR 10 AMP	1
42	0D8032	DECAL, COIL 10 AMP	1
43	0D8033	DECAL, PCB 2 AMP	1
44	0D8027	BOLT, WATER PUMP PULLEY	4
45	0D8025	BOLT, GROOVED IDLER PULLEY	1
46	0D8026	BOLT, BELT TENSIONER	3
47	0D8030	TENSIONER, ENG. AUTOMATIC BELT	1
48	0D8029	PULLEY, ENGINE WATER PUMP	1
49	0D8028	PULLEY, GROOVED ENGINE IDLER	1
50	0D8450	BRACKET, TERMINAL BLOCK	1
51	048766	BLOCK TERM 20A 2 X 6 X 1100V	REF
52	049815	SCREW HHC M5-0.8 X 16 G8.8	2
53	049226	WASHER LOCK M5	5
54	051713	WASHER FLAT M5	5
55	051716	NUT HEX M5-0.8 G8 YEL CHR	5
56	0D8991	MODULE COVER	1
57	0D8614	COVER, FUSE PANEL	1
58	055934B	CLAMP VINYL 1 X .281 Z	7
59	029107	GROMMET 7/8 X 3/16 X 5/8	2
60	0E5333	SCREW PHTT M5-0.8 X 8 ZINC	4
61	0D6575D	DEUTSCH,MOUNTING CLIP F/DT'S	3
62	043146	SCREW HHC M6-1.0 X 10 G8.8	4
63	091526	SCREW PPHM M5-0.8 X 12 ZNC	3
64	058441	SCREW CRIMPTITE 1/4-20 X 3/8	1
65	035578	NIPPLE CLOSE 1/8 NPT	1
66	035430	PIPE TEE 1/8 NPT	1
67	0A8584	SWITCH OIL PRESSURE HOBBS	1
68	056739	RELAY SOLENOID 12VDC PNL MNT (NOT SHOWN)	1
69	074908	SCREW HHTT M5-0.8 X 10 BP	2

# 6.8L GAS ENGINE COMMON PARTS LH (GEAR BOX UNITS)

GROUP D



EXPLODED VIEW:  
ENGINE COMMON PARTS L/H SIDE (GEAR BOX)  
DRAWING #: 0D6917

PAGE 1 OF 2

REVISION: F-9418-J  
DATE: 3/10/03

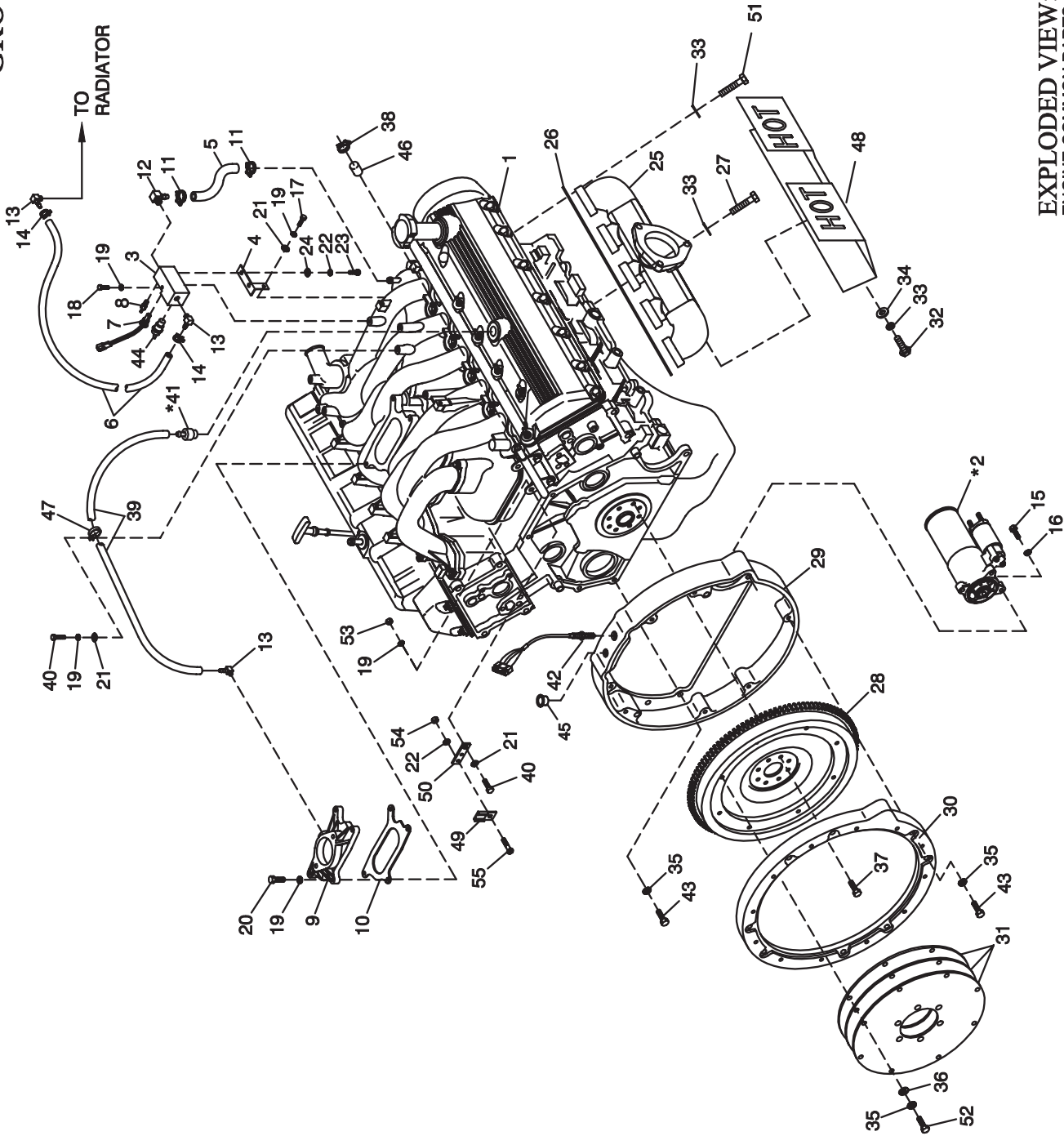


## 6.8L GAS ENGINE COMMON PARTS LH (GEAR BOX UNITS)

ITEM	PART NUMBER	DESCRIPTION	QTY
1	049814	SCREW HHC M10-1.5 X 25 G8.8	2
2	0D3784	HARNES 6.8L ENGINE (E-PANEL) (NOT SHOWN)	1
3	0D2843	BRKT LOWER ALT 6.8L	1
4	0D2844	BRKT UPPER ALT 6.8L	1
5	0D5419	OIL FILTER, FORD V-10 ENGINE	1
6	0D7055	DIPSTICK TUBE, FORD 6.8L	1
7	0D3488A	BELT SERPENTINE 70" (GEAR BOX)	1
8	057795	CONNECTOR C/C VENT	1
9	0A6283	HOSE PREFORMED BLOCK HEATER	1
10	046526	WASHER LOCK M10	2
11	022237	WASHER LOCK 3/8	1
12	0A1232	D.C. ALTERNATOR ASSY	1
13	031678	SCREW HHC 3/8-16 X 3-3/4 G5	1
14	022241	NUT HEX 3/8-16 STEEL	1
15	055476	BUSHING REDUCER 3/8 TO 1/8 GAL	1
16	053666	SENDER OIL PRESSURE	1
17	0D6658	DIPSTICK 6.8L FORD	1
18	047411	SCREW HHC M6-1.0 X 16 G8.8	2
19	022097	WASHER LOCK M6-1/4	8
20	022473	WASHER FLAT 1/4 ZINC	3
21	042568	SCREW HHC M6-1.0 X 20 G8.8	2
22	022129	WASHER LOCK M8-5/16	2
23	022131	WASHER FLAT 3/8-M10 ZINC	4
24	039253	SCREW HHC M8-1.25 X 20 G8.8	2
25	022145	WASHER FLAT 5/16 ZINC	2
26	057796	GROMMET	1
27	0A5737B	SPACER DC ALT. 25LG	1
28	0D3507A	ALTERNATOR PULLEY 140 O.D.	1
29	0D1744	6.8L IGN CONTROL SCH ASSY	1
30	0D7801A	WIRE HARNES 6.8L (GEAR BOX) (NOT SHOWN)	1
31	032300	HOLDER FUSE	2
32	086310	FUSE 2A X AGC2	1
33	028578	FUSE 10A X AGC10	1
34	034125	VIB MNT .5 X .62 X #10-32	4
35	033121	SCREW HHC #10-32 X 1/2	4
36	022152	WASHER LOCK #10	4
37	023897	WASHER FLAT #10 ZINC	4
38	0D8991	MODULE COVER	1
39	0D8032	DECAL COIL 10 AMP	1
40	0D8033	DECAL PCB 2 AMP	1
41	0D8025	BOLT GROOVED IDLER PULLEY	1
42	0D8026	BOLT BELT TENSIONER	3
43	0D8027	BOLT WATER PUMP PULLEY	4
44	0D8028	PULLEY GROOVED ENGINE IDLER	1
45	0D8030	TENSIONER ENG. AUTOMATIC BELT	1
46	0D8029	PULLEY ENGINE WATER PUMP	1
47	0D8614	COVER FUSE PANEL	1
48	055934B	CLAMP VINYL 1 X .281 Z	7
49	029107	GROMMET 7/8 X 3/16 X 5/8	2
50	0E5333	SCREW PHTT M5-0.8 X 8 ZINC	4
51	0D6575D	DEUTSCH, MOUNTING CLIP F/DT'S	3
52	043146	SCREW HHC M6-1.0 X 10 G8.8	4
53	091526	SCREW PPHM M5-0.8 X 12 ZNC	3
54	051713	WASHER FLAT M5	5
55	049226	WASHER LOCK M5	5
56	051716	NUT HEX M5-0.8 G8 YEL CHR	5
57	058441	SCREW CRIMPTITE 1/4-20 X 3/8	1
58	049815	SCREW HHC M5-0.8 X 16 G8.8	2
59	048766	BLOCK TERM 20A 2 X 6 X 1100V	REF
60	0D8450	BRACKET TERMINAL BLOCK	1
61	035578	NIPPLE CLOSE 1/8 NPT	1
62	035430	PIPE TEE 1/8 NPT	1
63	0A8584	SWITCH OIL PRESSURE HOBBS	1
64	056739	RELAY SOLENOID 12VDC PNL MNT (NOT SHOWN)	1
65	074908	SCREW HHTT M5-0.8 X 10 BP	2

**6.8L GAS ENGINE COMMON PARTS RH (DIRECT DRIVE UNITS, OPEN SET - NO ENCLOSURE)**

**GROUP D**



**EXPLODED VIEW:  
ENGINE COMMON PARTS R/H SIDE(DD)  
DRAWING #: 0D8081**

PAGE 1 OF 2

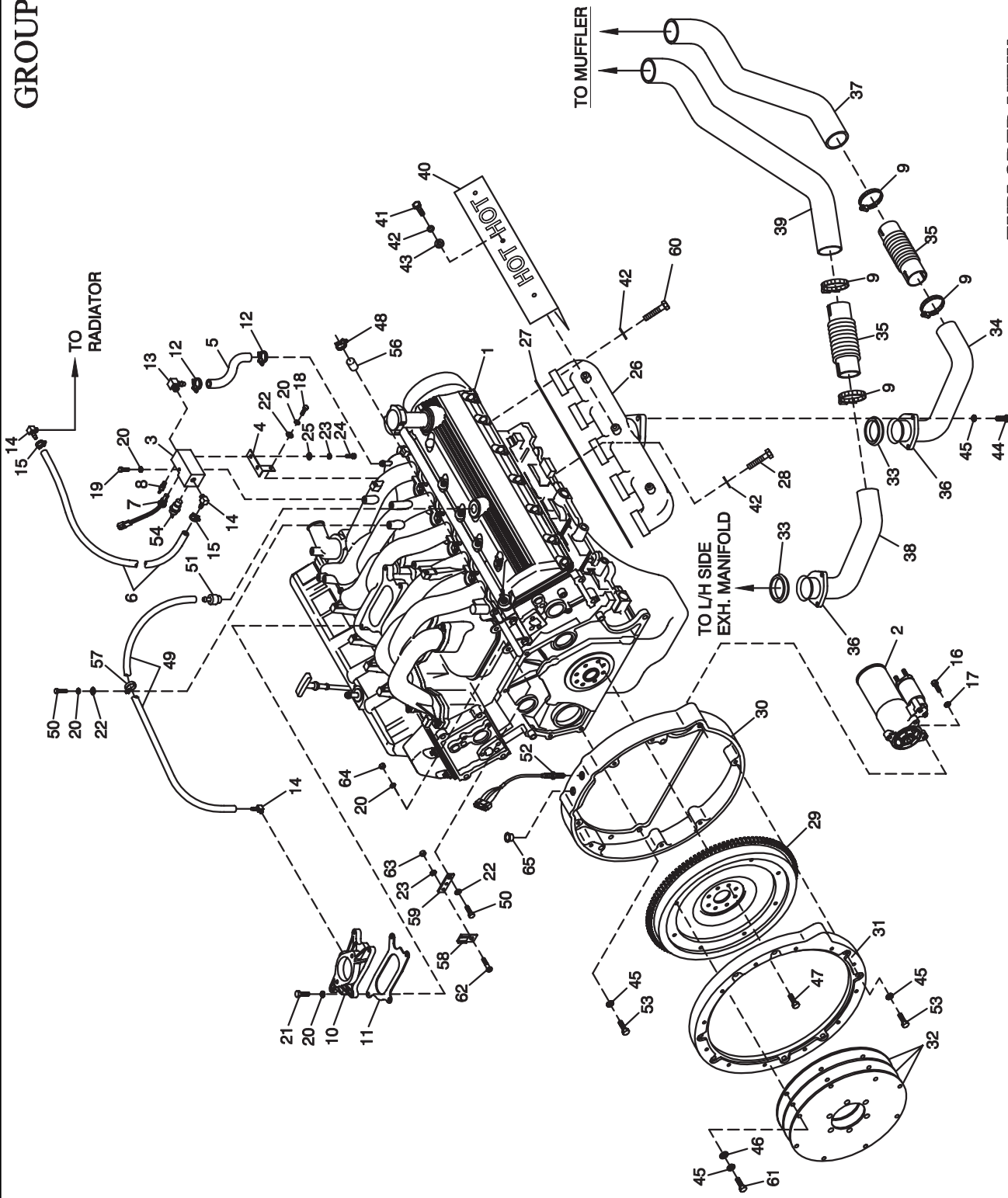
REVISION: G-0001-E  
DATE: 5/13/03

## 6.8L GAS ENGINE COMMON PARTS RH (DIRECT DRIVE UNITS, OPEN SET - NO ENCLOSURE)

ITEM	PART NUMBER	DESCRIPTION	QTY
1	0D3454	6.8L FORD (V-10)	1
2	0D5418	STARTER MOTOR FORD V-10 ENGINE	1
3	0D4162	MANIFLD BLK COOLANT TEMP & LEVEL	1
4	0D4312	BRACKET MANIFOLD BLOCK	1
5	050968	HOSE 3/4 ID SAE-20R3	.25 FT
6	083982	HOSE 3/8 ID 100R6 OIL LINE	2 FT
7	0E0561	ASSEMBLY WATER LEVEL SENSOR	1
8	053667	SENDER WATER TEMP	1
9	0D2696	ADAPTOR THROTTLE BODY	1
10	0D2698	GASKET ADAPTOR THROTTLE BODY	1
11	057823	CLAMP HOSE #10 .56 - 1.06	2
12	049120	BARBED EL 90 1/2 NPT X 3/4	1
13	049340	BARBED EL 90 1/4 NPT X 3/8	3
14	0C7649	CLAMP HOSE .38 - .87	2
15	049821	SCREW SHC M8-1.25 X 30 G12.9	3
16	022129	WASHER LOCK M8-5/16	3
17	043146	SCREW HHC M6-1.0 X 10 G8.8	1
18	055816	SCREW HHC M6-1.0 X 70 G8.8	1
19	022097	WASHER LOCK M6-1/4	8
20	045757	SCREW HHC M6-1.0 X 25 G8.8	4
21	022473	WASHER FLAT 1/4 ZINC	3
22	049226	WASHER LOCK M5	3
23	052618	SCREW HHC M5-0.8 X 12 G8.8	2
24	051713	WASHER FLAT M5	2
25	0D3808	EXH MANIFOLD MACH 6.8L V-10	2
26	0D4255	GASKET EXHAUST MANIFOLD	2
27	070010	SCREW HHC M8-1.25 X 35 SS G8.8	2
28	0D6344	ASSEMBLY 6.8L FLYWHEEL - DIRECT	1
29	0D3803	FLYWHEEL HOUSING MACH 6.8L V10	1
30	0D3805	COVER FLYWHEEL MACH 6.8L V-10	1
31	0A8240	FLEX PLATE SAE10 2.2	3
32	0D2608	SCREW HHC 5/16-18 X 1/2 SSTL	10
33	070006	WASHER LOCK M8 SSTL	30
34	070008	WASHER FLAT M8 SS	10
35	046526	WASHER LOCK M10	21
36	022131	WASHER FLAT 3/8-M10 ZINC	8
37	0D5417	SCREW HHC M10-1.0 X 25 G10.9	REF
38	057822	CLAMP HOSE #8 .53 - 1.00	1
39	083982	HOSE 3/8 ID 100R6 OIL LINE	1.25 FT
40	047411	SCREW HHC M6-1.0 X 16 G8.8	2
41	0D6742	VALVE PCV (FORD 6.8L)	1
42	0D2244M	ASSY MAG PICKUP (3/8-24 MALE)	1
43	052647	SCREW SHC M10-1.5 X 25 G12.9	15
44	035606	SENSOR HI COOLANT SHUTDOWN	1
45	087599	PLUG PLASTIC 3/8 NPT	1
46	077996	CAP HOSE	1
47	055934M	CLAMP VINYL .75 X .343 Z	1
48	0D5623	HEAT SHIELD EXHAUST	2
49	0D6575D	DEUTSCH MOUNTING CLIP F/DT'S	1
50	0D9423	BRACKET MAG-PICKUP CONNECTORS	1
51	0D9913	SCREW SHC M8-1.25 X 35 SS	18
52	052648	SCREW SHC M10-1.5 X 20 G12.9	8
53	049813	NUT HEX M6 X 1.0 G8 YEL CHR	1
54	051716	NUT HEX M5-0.8 G8 YEL CHR	1
55	091526	SCREW PPHM M5-0.8 X 12 ZNC	1

**6.8L GAS ENGINE COMMON PARTS RH (DIRECT DRIVE UNITS, CLOSED SET - W/ ENCLOSURE)**

**GROUP D**



**EXPLODED VIEW:  
ENGINE COMMON PARTS R/H SIDE(DD)  
DRAWING #: 0D6209**

PAGE 1 OF 2

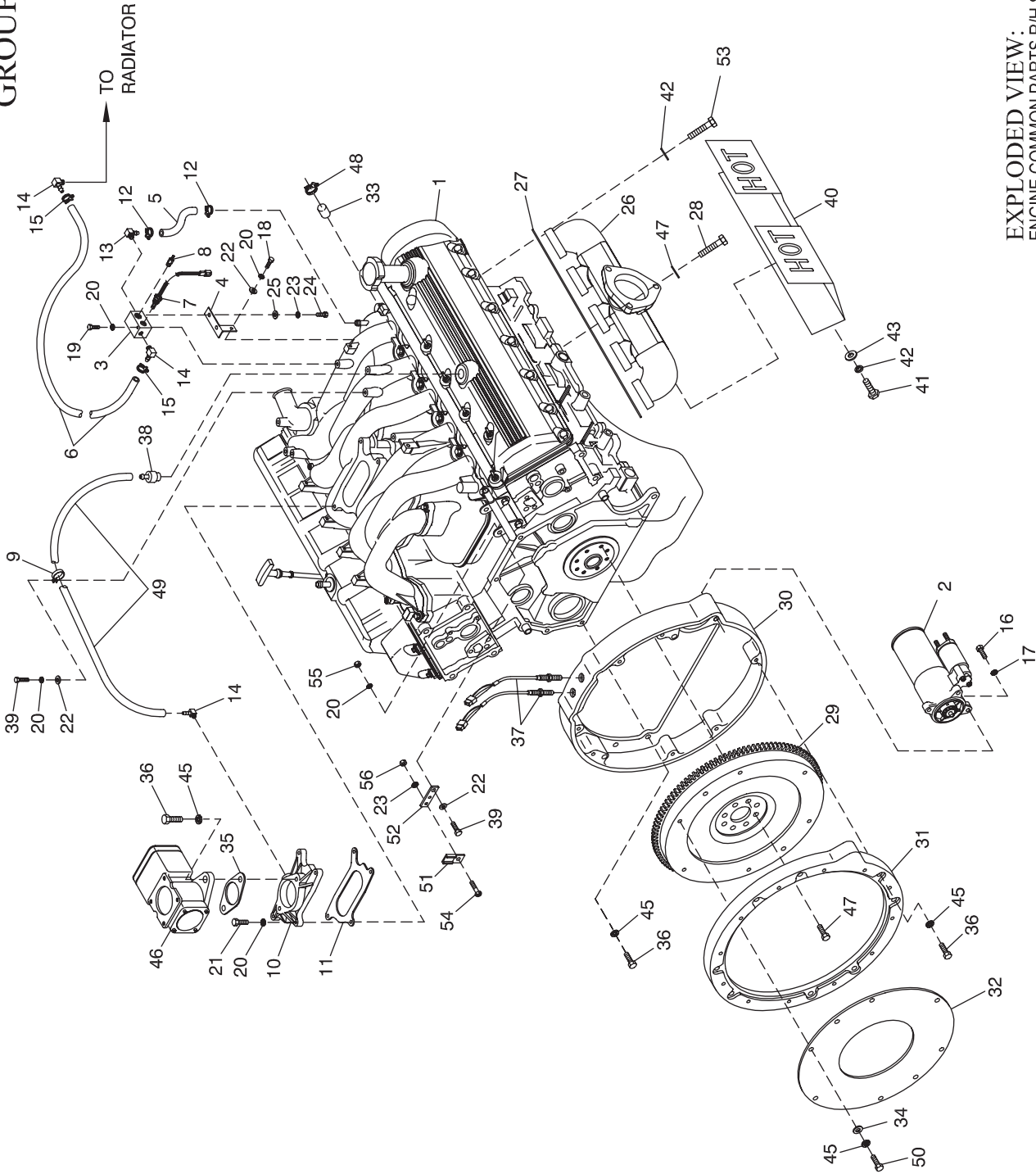
REVISION: G-0001-H  
DATE: 5/13/03

## 6.8L GAS ENGINE COMMON PARTS RH (DIRECT DRIVE UNITS, CLOSED SET - W/ ENCLOSURE)

ITEM	PART NUMBER	DESCRIPTION	QTY
1	0D3454	6.8L FORD (V-10)	1
2	0D5418	STARTER MOTOR FORD V-10 ENGINE	1
3	0D4162	MANIFLD BLK COOLANT TEMP & LEVEL	1
4	0D4312	BRACKET MANIFOLD BLOCK	1
5	050968	HOSE 3/4 ID SAE-20R3 (3")	1
6	047290	HOSE 3/8 ID SINGLE BRAID (24")	1
7	0E0561	ASSEMBLY WATER LEVEL SENSOR	1
8	053667	SENDER WATER TEMP	1
9	0C3433A	CLAMP BAND 2.5"	4
10	0D2696	ADAPTOR THROTTLE BODY	1
11	0D2698	GASKET ADAPTOR THROTTLE BODY	1
12	057823	CLAMP HOSE #10 .56 - 1.06	2
13	049120	BARBED EL 90 1/2 NPT X 3/4	1
14	049340	BARBED EL 90 1/4 NPT X 3/8	3
15	0C7649	CLAMP HOSE .38 - .87	2
16	049821	SCREW SHC M8-1.25 X 30 G12.9	3
17	022129	WASHER LOCK M8-5/16	3
18	043146	SCREW HHC M6-1.0 X 10 G8.8	1
19	055816	SCREW HHC M6-1.0 X 70 G8.8	1
20	022097	WASHER LOCK M6-1/4	8
21	045757	SCREW HHC M6-1.0 X 25 G8.8	4
22	022473	WASHER FLAT 1/4 ZINC	3
23	049226	WASHER LOCK M5	3
24	052618	SCREW HHC M5-0.8 X 12 G8.8	2
25	051713	WASHER FLAT M5	2
26	0D3808	EXH MANIFOLD MACH 6.8L V-10	2
27	0D4255	GASKET EXHAUST MANIFOLD	2
28	070010	SCREW HHC M8-1.25 X 35 SS G8.8	2
29	0D6344	ASSEMBLY 6.8L FLYWHEEL - DIRECT	1
30	0D3803	FLYWHEEL HOUSING MACH 6.8L V10	1
31	0D3805	COVER FLYWHEEL MACH 6.8L V-10	1
32	0A8240	FLEX PLATE SAE10 2.2	3
33	0A6765	RING GASKET 2.5 DIA.	2
34	0D3649	TUBE R/H EXHAUST MANIFOLD	1
35	0A5215B	PIPE FLEX (2.5")	2
36	0D3159	FLANGE EXHAUST	2
37	0D3651	TUBE R/H EXHAUST MUFFLER INLET	1
38	0D3648	TUBE L/H EXHAUST MANIFOLD	1
39	0D3650	TUBE L/H EXHAUST MUFFLER INLET	1
40	0D5623	HEAT SHIELD EXHAUST	2
41	0D2608	SCREW HHC 5/16-18 X 1/2 SSTL	10
42	070006	WASHER LOCK M8 SSTL	30
43	070008	WASHER FLAT M8 SS	10
44	0A7387	SCREW HHC M10-1.5 X 40 G10.9	6
45	046526	WASHER LOCK M10	21
46	022131	WASHER FLAT 3/8-M10 ZINC	8
47	0D5417	SCREW HHC M10-1.0 X 25 G10.9	REF
48	057822	CLAMP HOSE #8 .53 - 1.00	1
49	047290	HOSE 3/8 ID SINGLE BRAID (15")	1
50	047411	SCREW HHC M6-1.0 X 16 G8.8	2
51	0D6742	VALVE PCV (FORD 6.8L)	1
52	0D2244M	ASSEMBLY MAGPICKUP (3/8-24 MALE)	1
53	052647	SCREW SHC M10-1.5 X 25 G12.9	23
54	035606	SENSOR HI COOLANT SHUTDOWN	1
56	077996	CAP HOSE	1
57	055934M	CLAMP VINYL .75 X .343 Z	1
58	0D6575D	DEUTSCH MOUNTING CLIP F/DT'S	1
59	0D9423	BRACKET MAG-PICKUP CONNECTORS	1
60	0D9913	SCREW SHC M8-1.25 X 35 SS	18
61	052648	SCREW SHC M10-1.5 X 20 G12.9	8
62	091526	SCREW PPHM M5-0.8 X 12 ZNC	1
63	051716	NUT HEX M5-0.8 G8 YEL CHR	1
64	049813	NUT HEX M6 X 1.0 G8 YEL CHR	1
65	087599	PLUG PLASTIC 3/8 NPT	1

**6.8L GAS ENGINE COMMON PARTS RH (GEAR BOX UNITS, OPEN SET - NO ENCLOSURE)**

**GROUP D**



**EXPLODED VIEW:  
ENGINE COMMON PARTS R/H SIDE (GEAR BOX)  
DRAWING #: 0D8773**

PAGE 1 OF 2

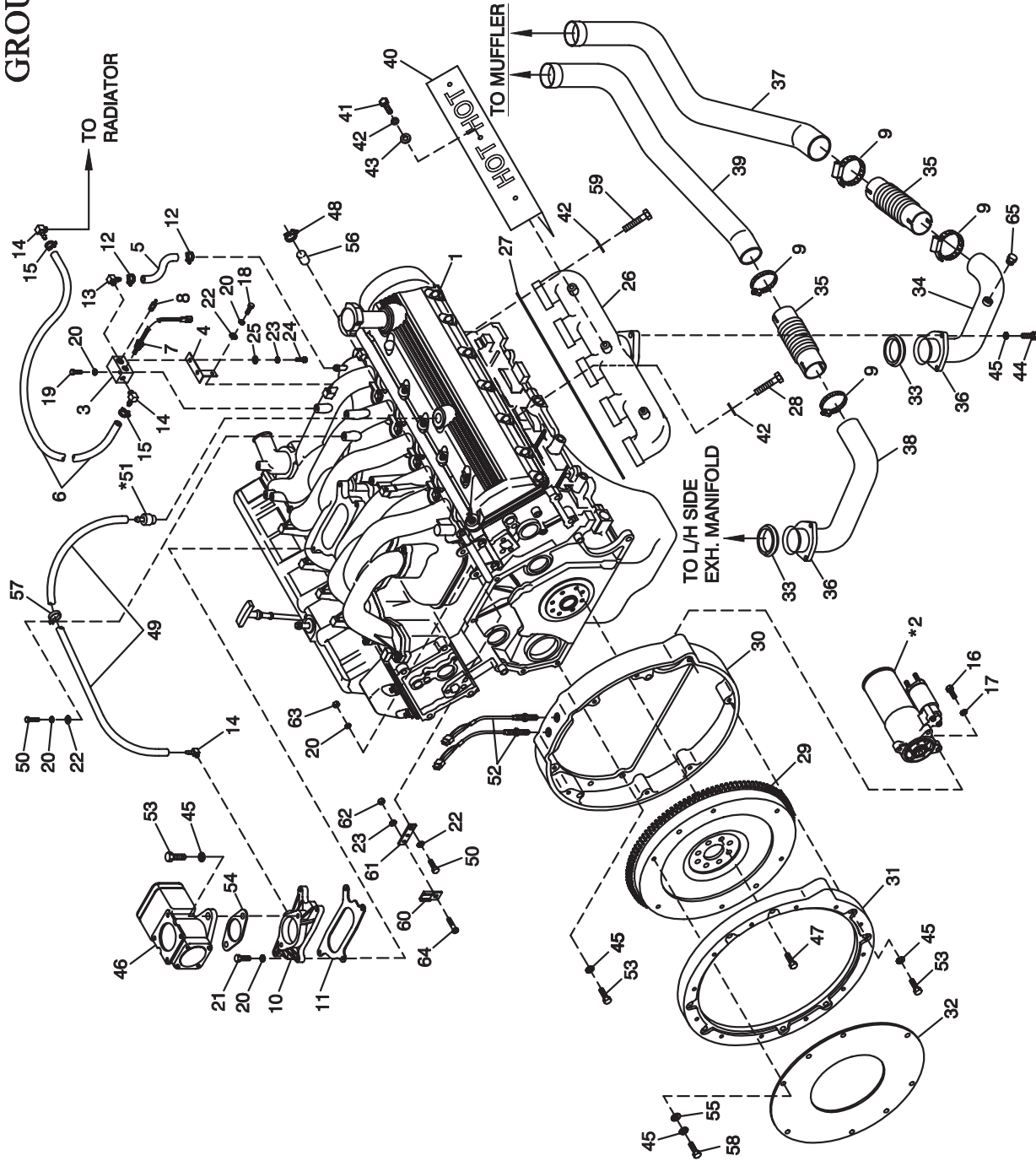
REVISION: F-9723-C  
DATE: 4/1/03

## 6.8L GAS ENGINE COMMON PARTS RH (GEAR BOX UNITS, OPEN SET - NO ENCLOSURE)

ITEM	PART NUMBER	DESCRIPTION	QTY
1	0D3454	6.8L FORD (V-10)	1
2	0D5418	STARTER MOTOR FORD V-10 ENGINE	1
3	0D4162	MANIFLD BLK COOLANT TEMP & LEVEL	1
4	0D4312	BRACKET MANIFOLD BLOCK	1
5	050968	HOSE 3/4 ID SAE-20R3 (3")	1
6	047290	HOSE 3/8 ID SINGLE BRAID (24")	1
7	0E0561	ASSEMBLY WATER LEVEL SENSOR	1
8	053667	SENDER WATER TEMP	1
9	055934M	CLAMP VINYL .75 X .343 Z	1
10	0D2696	ADAPTOR, THROTTLE BODY	1
11	0D2698	GASKET ADAPTOR THROTTLE BODY	1
12	057823	CLAMP HOSE #10 .56 - 1.06	2
13	049120	BARBED EL 90 1/2 NPT X 3/4	1
14	049340	BARBED EL 90 1/4 NPT X 3/8	3
15	0C7649	CLAMP HOSE .38 - .87	2
16	049821	SCREW SHC M8-1.25 X 30 G12.9	3
17	022129	WASHER LOCK M8-5/16	3
18	043146	SCREW HHC M6-1.0 X 10 G8.8	1
19	055816	SCREW HHC M6-1.0 X 70 G8.8	1
20	022097	WASHER LOCK M6-1/4	8
21	045757	SCREW HHC M6-1.0 X 25 G8.8	4
22	022473	WASHER FLAT 1/4 ZINC	3
23	049226	WASHER LOCK M5	4
24	052618	SCREW HHC M5-0.8 X 12 G8.8	2
25	051713	WASHER FLAT M5	2
26	0D3808	EXH MANIFOLD MACH 6.8L V-10	2
27	0D4255	GASKET EXHAUST MANIFOLD	2
28	070010	SCREW HHC M8-1.25 X 35 SS G8.8	2
29	0D6686	ASSEMBLY 6.8L G-BOX FLYWHEEL	1
30	0D3803	FLYWHEEL HOUSING MACH 6.8L V10	1
31	0D3805	COVER FLYWHEEL MACH 6.8L V-10	1
32	021113	PLATE DAMPNER RETNR	1
33	077996	CAP HOSE	1
34	022131	WASHER FLAT 3/8-M10 ZINC	8
35	0C9785	GASKET POWER FLOW 50 & 60 ADAPTOR	1
36	052647	SCREW SHC M10-1.5 X 25 G12.9	15
37	0D2244M	ASSY MAGPICKUP (3/8-24 MALE)	2
38	0D6742	VALVE PCV (FORD 6.8L)	1
39	047411	SCREW HHC M6-1.0 X 16 G8.8	2
40	0D5623	HEAT SHIELD EXHAUST	2
41	0D2608	SCREW HHC 5/16-18 X 1/2 SSTL	10
42	070006	WASHER LOCK M8 SSTL	30
43	070008	WASHER FLAT M8 SS	10
44	049541	SCREW HHC M10-1.5 X 35 G8.8 (NOT SHOWN)	6
45	046526	WASHER LOCK M10	21
46	0C9730	PWR FLO 60 - ACTUATOR, POWERFLOW 60MM	1
47	0D5417	SCREW HHC M10-1.0 X 25 G10.9	REF
48	057822	CLAMP HOSE #8 .53 - 1.00	1
49	047290	HOSE 3/8 ID SINGLE BRAID (15")	1
50	052625	SCREW SHC M10-1.5 X 35 G12.9	6
51	0D6575D	DEUTSCH.MOUNTING CLIP F/DT'S	2
52	0D9423	BRACKET, MAG-PICKUP CONNECTORS	1
53	0D9913	SCREW SHC M8-1.25 X 35 SS	18
54	091526	SCREW PPHM M5-0.8 X 12 ZNC	2
55	049813	NUT HEX M6 X 1.0 G8 YEL CHR	1
56	051716	NUT HEX M5-0.8 G8 YEL CHR	2

**6.8L GAS ENGINE COMMON PARTS RH (GEAR BOX UNITS, CLOSED SET - W/ ENCLOSURE)**

**GROUP D**



**EXPLODED VIEW:  
ENGINE COMMON PARTS R/H SIDE (GEAR BOX)  
DRAWING #: 0D6916**

PAGE 1 OF 2

REVISION: F-8864-F  
DATE: 1/23/03



## 6.8L GAS ENGINE COMMON PARTS RH (GEAR BOX UNITS, CLOSED SET - W/ ENCLOSURE)

ITEM	PART NUMBER	DESCRIPTION	QTY
1	0D3454	6.8L FORD (V-10)	1
2	0D5418	STARTER MOTOR FORD V-10 ENGINE	1
3	0D4162	MANIFLD BLK COOLANT TEMP & LEVEL	1
4	0D4312	BRACKET MANIFOLD BLOCK	1
5	050968	HOSE 3/4 ID SAE-20R3 (3")	1
6	047290	HOSE 3/8 ID SINGLE BRAID (24")	1
7	0E0561	ASSEMBLY WATER LEVEL SENSOR	1
8	053667	SENDER WATER TEMP	1
9	0C3433A	CLAMP BAND 2.5"	4
10	0D2696	ADAPTOR THROTTLE BODY	1
11	0D2698	GASKET ADAPTOR THROTTLE BODY	1
12	057823	CLAMP HOSE #10 .56 - 1.06	2
13	049120	BARBED EL 90 1/2 NPT X 3/4	1
14	049340	BARBED EL 90 1/4 NPT X 3/8	3
15	0C7649	CLAMP HOSE .38 - .87	2
16	049821	SCREW SHC M8-1.25 X 30 G12.9	3
17	022129	WASHER LOCK M8-5/16	3
18	043146	SCREW HHC M6-1.0 X 10 G8.8	1
19	055816	SCREW HHC M6-1.0 X 70 G8.8	1
20	022097	WASHER LOCK M6-1/4	8
21	045757	SCREW HHC M6-1.0 X 25 G8.8	4
22	022473	WASHER FLAT 1/4 ZINC	3
23	049226	WASHER LOCK M5	4
24	052618	SCREW HHC M5-0.8 X 12 G8.8	2
25	051713	WASHER FLAT M5	2
26	0D3808	EXH MANIFOLD MACH 6.8L V-10	2
27	0D4255	GASKET EXHAUST MANIFOLD	2
28	070010	SCREW HHC M8-1.25 X 35 SS G8.8	2
29	0D6686	ASSEMBLY 6.8L G-BOX FLYWHEEL	1
30	0D3803	FLYWHEEL HOUSING MACH 6.8L V10	1
31	0D3805	COVER FLYWHEEL MACH 6.8L V-10	1
32	021113	PLATE DAMPNER RETNR	1
33	0A6765	RING GASKET 2.5DIA.	2
34	0D3166	PIPE R/H EXHAUST MANIFOLD	1
35	0A5215B	PIPE FLEX 2.5"	2
36	0D3159	FLANGE EXHAUST	1
37	0D3196	PIPE R/H MUFFLER INLET	1
38	0D3160	PIPE L/H EXHAUST MANIFOLD	1
39	0D3195	PIPE L/H MUFFLER INLET	1
40	0D5623	HEAT SHIELD EXHAUST	2
41	0D2608	SCREW HHC 5/16-18 X 1/2 SS	10
42	070006	WASHER LOCK M8 SS	30
43	070008	WASHER FLAT M8 SS	10
44	0A7387	SCREW HHC M10-1.5 X 40 G10.9	6
45	046526	WASHER LOCK M10	21
46	0C9730	THROTTLE BODY PWR FLO 60	1
47	0D5417	SCREW HHC M10-1.0 X 25 G10.9 (NOT SHOWN)	REF
48	057822	CLAMP HOSE #8 .53 - 1.00	1
49	047290	HOSE 3/8 ID SINGLE BRAID (15")	1
50	047411	SCREW HHC M6-1.0 X 16 G8.8	2
51	0D6742	VALVE PCV (FORD 6.8L)	1
52	0D2244M	ASSY MAGPICKUP (3/8-24 MALE)	2
53	052647	SCREW SHC M10-1.5 X 25 G12.9	15
54	0C9785	GASKET POWER FLOW 50 & 60 ADAPTOR	1
55	022131	WASHER FLAT 3/8-M10 ZINC	8
56	077996	CAP HOSE	1
57	055934M	CLAMP VINYL .75 X .343 Z	1
58	052625	SCREW SHC M10-1.5 X 35 G12.9	6
59	0D9913	SCREW SHC M8-1.25 X 35 SS	18
60	0D6575D	DEUTSCH MOUNTING CLIP F/DT'S	2
61	0D9423	BRACKET MAG-PICKUP CONNECTORS	1
62	051716	NUT HEX M5-0.8 G8 YEL CHR	2
63	049813	NUT HEX M6 X 1.0 G8 YEL CHR	1
64	091526	SCREW PPHM M5-0.8 X 12 ZNC	2
65	0C9748	PLUG M18-1.50	1





**GENERAC**<sup>®</sup>  
POWER SYSTEMS, INC.

## Free Manuals Download Website

<http://myh66.com>

<http://usermanuals.us>

<http://www.somanuals.com>

<http://www.4manuals.cc>

<http://www.manual-lib.com>

<http://www.404manual.com>

<http://www.luxmanual.com>

<http://aubethermostatmanual.com>

Golf course search by state

<http://golfingnear.com>

Email search by domain

<http://emailbydomain.com>

Auto manuals search

<http://auto.somanuals.com>

TV manuals search

<http://tv.somanuals.com>