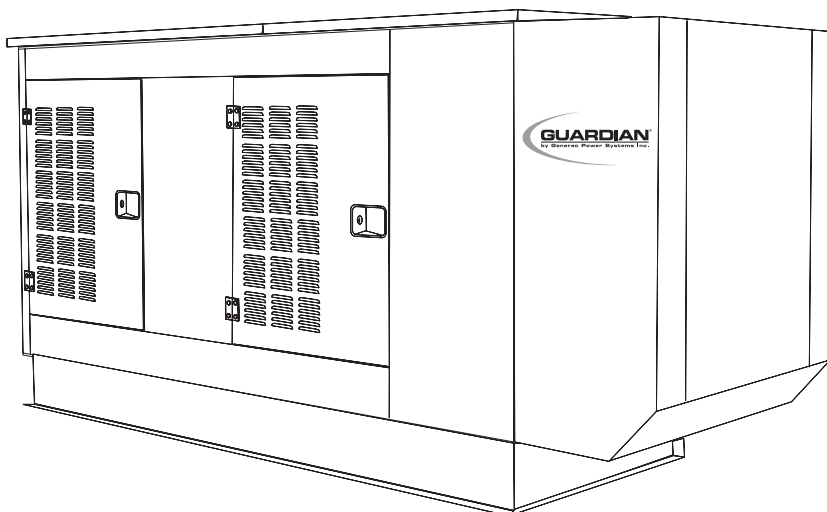




Owner's Manual

Liquid-cooled, Prepackaged
Standby Generators

Models: 0043733, 0043734
& 0043735
(40 kW/Single-phase w/
200 Amp Transfer
Switch)



0046262, 0046263
& 0046264
(40 kW/Single-phase w/
200 Amp Transfer
Switch California
Emissions)

⚠ Not intended for use in critical life support applications. ⚠

— ⚠ CAUTION ⚠ —

**ONLY QUALIFIED ELECTRICIANS OR CONTRACTORS SHOULD ATTEMPT
INSTALLATION!!**

DEADLY EXHAUST FUMES. OUTDOOR INSTALLATION ONLY!

This manual should remain with the unit.

INTRODUCTION

Thank you for purchasing the Guardian product line by Generac Power Systems. This model is a compact, high performance, liquid-cooled, engine-driven generator designed to automatically supply electrical power to operate critical loads during a utility power failure.

This unit is factory installed in an all-weather, metal enclosure that is intended exclusively for outdoor installation.

◆ READ THIS MANUAL THOROUGHLY

If any portion of this manual is not understood, contact Generac or the nearest Generac/Guardian Authorized Dealer for starting, operating and servicing procedures.

Throughout this publication, and on tags and decals affixed to the generator, DANGER, WARNING, CAUTION and NOTE blocks are used to alert personnel to special instructions about a particular operation that may be hazardous if performed incorrectly or carelessly. Observe them carefully. Their definitions are as follows:



After this heading, read instructions that, if not strictly complied with, will result in personal injury or property damage.



After this heading, read instructions that, if not strictly complied with, may result in personal injury or property damage.




After this heading, read instructions that, if not strictly complied with, could result in damage to equipment and/or property.

NOTE:

After this heading, read explanatory statements that require special emphasis.

These safety warnings cannot eliminate the hazards that they indicate. Common sense and strict compliance with the special instructions while performing the service are essential to preventing accidents.

Four commonly used safety symbols accompany the DANGER, WARNING and CAUTION blocks. The type of information each indicates is as follows:

 This symbol points out important safety information that, if not followed, could endanger personal safety and/or property.

 This symbol points out potential explosion hazard.

 This symbol points out potential fire hazard.

 This symbol points out potential electrical shock hazard.

Generac® Power Systems, Inc.

The operator is responsible for proper and safe use of the equipment. Generac strongly recommends that the operator read this *Owner's Manual* and thoroughly understand all instructions before using this equipment. Generac also strongly recommends instructing other users to properly start and operate the unit. This prepares them if they need to operate the equipment in an emergency.

◆ CONTENTS

This manual contains pertinent owner's information, including warranty, electrical diagrams, exploded views and lists of repair parts, for Guardian models:

0043733, 0043734, 0043735, 0046262, 0046263 & 0046264.

◆ OPERATION AND MAINTENANCE

It is the operator's responsibility to perform all safety checks, to make sure that all maintenance for safe operation is performed promptly, and to have the equipment checked periodically by a Generac/Guardian Authorized Dealer. Normal maintenance service and replacement of maintenance parts are the responsibility of the owner/operator and, as such, are not considered defects in materials or workmanship within the terms of the warranty. Individual operating habits and usage contribute to the need for maintenance service.

Proper maintenance and care of the generator ensure a minimum number of problems and keep operating expenses at a minimum. See a Generac/Guardian Authorized Dealer for service aids and accessories.

◆ HOW TO OBTAIN SERVICE

When the generator requires servicing or repairs, simply contact a Generac/Guardian Authorized Dealer for assistance. Service technicians are factory-trained and are capable of handling all service needs.

When contacting a Generac/Guardian Authorized Dealer or the factory about parts and service, always supply the complete model number and serial number of the unit as given on its data decal, which is located on the generator.

Model No. _____ Serial No. _____

AUTHORIZED DEALER LOCATION

To locate the nearest GENERAC/GUARDIAN
AUTHORIZED DEALER, please call this number:

1-800-333-1322

DEALER LOCATION INFORMATION
CAN BE OBTAINED AT THIS NUMBER.

IntroductionInside Front Cover

Read This Manual ThoroughlyIFC
 ContentsIFC
 Operation and Maintenance.....IFC
 How to Obtain ServiceIFC
 Authorized Dealer Locator NumberIFC

Safety Rules2

Section 1 – General Information.....4

1.1 Unpacking/Inspection4
 1.1.1 Lifting the Generator4
 1.2 The Generator4
 1.3 Generator AC Connection Systems4
 1.4 Prepackaged Transfer Switch4
 1.5 Automatic System Operation.....4
 1.6 Main Circuit Breaker5
 1.7 Engine Protective Devices5
 1.7.1 Low Oil Pressure Switch5
 1.7.2 High Coolant Temperature Switch5
 1.7.3 Low Coolant Level Switch5
 1.7.4 Overspeed Shutdown5
 1.7.5 Overcrank Shutdown5
 1.7.6 DC Fuse.....5
 1.8 Specifications5
 1.8.1 Generator5
 1.8.2 Engine6
 1.9 Fuel Requirements and Recommendations6
 1.9.1 Conversion to LP Gas Vapor6
 1.10 Engine Oil Recommendations7
 1.11 Coolant7
 1.12 Emission Control System7

Section 2 – Installation8

2.1 Basic Standby Electric System8
 2.2 Emergency Circuit Isolation Method9
 2.3 Total Circuit Isolation Method.....9
 2.4 Grounding the Generator9
 2.5 Generator AC Neutral Connections9
 2.6 Transfer Switch Start Signal Connections...9
 2.6.1 Pre-Packaged Type Switch9
 2.6.2 “GTS” Type Switch9
 2.7 Battery Installation10
 2.7.1 Vented Batteries10
 2.8 Preparation Before Start-up10
 2.8.1 Prior to Initial Start-up11
 2.8.2 Transfer Switch.....11
 2.8.3 Fuel System.....11
 2.8.4 Generator Set Lubrication.....11
 2.8.5 Engine Coolant11
 2.8.6 Belt Tension11
 2.8.7 Electrical System.....11
 2.8.8 Rodent Protection11

Section 3 – Operation12

3.1 Control Console Components12
 3.1.1 AC Voltmeter12
 3.1.2 AC Ammeter12
 3.1.3 AC Frequency Meter12
 3.1.4 DC Voltmeter12
 3.1.5 Hourmeter.....12
 3.1.6 Auto/Off/Manual Switch.....12
 3.1.7 Fault Indicator Lamp.....12
 3.1.8 15-amp Fuse12
 3.1.9 7.5 Amp Inline Fuse12
 3.1.10 Voltage-phase Selector Switch12
 3.1.11 Set Exercise Time Switch12
 3.2 Using the Auto/Off/Manual Switch12
 3.2.1 “Auto” Position.....12
 3.2.2 “Off” Position.....13
 3.2.3 “Manual” Position13
 3.3 Automatic Transfer Operation.....13
 3.4 Sequence of Automatic Operation13
 3.5 Engine Heater13
 3.6 Weekly Exercise Cycle14

Section 4 – Maintenance14

4.1 Checking the Engine Oil Level.....14
 4.2 Changing the Engine Oil and Filter15
 4.2.1 Engine Oil Recommendations15
 4.2.2 Oil and Filter Change Procedure15
 4.3 Changing the Engine Air Cleaner.....15
 4.4 Spark Plugs.....16
 4.5 Battery Maintenance16
 4.5.1 Battery Replacement16
 4.6 Cooling System17
 4.7 Overload Protection for Engine DC Electrical System.....17
 4.8 DC Fuse17
 4.9 Engine Coolant17
 4.10 Miscellaneous Maintenance17
 4.10.1 Cleaning the Generator17
 4.10.2 Rodent Protection17
 4.11 Out of Service Procedure18
 4.11.1 Removal From Service.....18
 4.11.2 Return to Service.....18
 4.12 Service Schedule19

Section 5 – Troubleshooting20

Section 6 – Electrical Data21

Section 7 – Exploded Views and Parts Lists30

Section 8 – Notes58

Section 9 – Warranty60



Important Safety Instructions

Guardian Liquid-cooled 40 kW Generator

SAVE THESE INSTRUCTIONS – The manufacturer suggests that these rules for safe operation be copied and posted in potential hazard areas. Safety should be stressed to all operators and potential operators of this equipment.

SAVE THESE INSTRUCTIONS – This manual contains important instructions that should be followed during installation and maintenance of the generator and batteries.

WARNING:

The engine exhaust from this product contains chemicals known to the state of California to cause cancer, birth defects or other reproductive harm.

WARNING:

This product contains or emits chemicals known to the state of California to cause cancer, birth defects or other reproductive harm.

Study these SAFETY RULES carefully before installing, operating or servicing this equipment. Become familiar with this *Owner's Manual* and with the unit. The generator can operate safely, efficiently and reliably only if it is properly installed, operated and maintained. Many accidents are caused by failing to follow simple and fundamental rules or precautions.

Generac cannot possibly anticipate every possible circumstance that might involve a hazard. The warnings in this manual, and on tags and decals affixed to the unit are, therefore, not all-inclusive. If using a procedure, work method or operating technique Generac does not specifically recommend, satisfy yourself that it is safe for others. Also make sure the procedure, work method or operating technique chosen does not render the generator unsafe.

DANGER

Despite the safe design of this generator, operating this equipment imprudently, neglecting its maintenance or being careless can cause possible injury or death. Permit only responsible and capable persons to operate or maintain this equipment.

Potentially lethal voltages are generated by these machines. Ensure all steps are taken to render the machine safe before attempting to work on the generator.

Parts of the generator are rotating and/or hot during operation. Exercise care near running generators.

GENERAL HAZARDS

- For safety reasons, Generac recommends that the installation, initial start-up and maintenance of this equipment is carried out by a Generac/Guardian Authorized Dealer.
- Installation, operation, servicing and repair of this (and related) equipment must always comply with applicable codes, standards, laws and regulations. Adhere strictly to local, state and national electrical and building codes. Comply with regulations the Occupational Safety and Health Administration (OSHA) has established. Also, ensure that the generator is installed, operated and serviced in accordance with the manufacturer's instructions and recommendations. Following installation, do not do anything that might render the unit unsafe or in noncompliance with the aforementioned codes, standards, laws and regulations.
- The engine exhaust fumes contain carbon monoxide, which can be DEADLY. This dangerous gas, if breathed in sufficient concentrations, can cause unconsciousness or even death. For that reason, adequate ventilation must be provided. Exhaust gases must be piped safely away from any building or enclosure that houses the generator to an area where people, animals, etc., will not be harmed. This exhaust system must be installed properly, in strict compliance with applicable codes and standards.
- Keep hands, feet, clothing, etc., away from drive belts, fans, and other moving or hot parts. Never remove any drive belt or fan guard while the unit is operating.
- Adequate, unobstructed flow of cooling and ventilating air is critical in any room or building housing the generator to prevent buildup of explosive gases and to ensure correct generator operation. Do not alter the installation or permit even partial blockage of ventilation provisions, as this can seriously affect safe operation of the generator.
- Keep the area around the generator clean and uncluttered. Remove any materials that could become hazardous.
- When working on this equipment, remain alert at all times. Never work on the equipment when physically or mentally fatigued.



- Inspect the generator regularly, and promptly repair or replace all worn, damaged or defective parts using only factory-approved parts.
- Before performing any maintenance on the generator, disconnect its battery cables to prevent accidental start-up. Disconnect the cable from the battery post indicated by a NEGATIVE, NEG or (-) first. Reconnect that cable last.
- Never use the generator or any of its parts as a step. Stepping on the unit can stress and break parts, and may result in dangerous operating conditions from leaking exhaust gases, fuel leakage, oil leakage, etc.
- Generators installed with an automatically transfer switch will crank and start automatically when normal (utility) source voltage is removed or is below an acceptable preset level. To prevent such automatic start-up and possible injury to personnel, disable the generator's automatic start circuit (battery cables, etc.) before working on or around the unit. Then, place a "Do Not Operate" tag on the generator control panel and on the transfer switch.
- In case of accident caused by electric shock, immediately shut down the source of electrical power. If this is not possible, attempt to free the victim from the live conductor. **AVOID DIRECT CONTACT WITH THE VICTIM.** Use a nonconducting implement, such as a dry rope or board, to free the victim from the live conductor. If the victim is unconscious, apply first aid and get immediate medical help.
- Never wear jewelry when working on this equipment. Jewelry can conduct electricity resulting in electric shock, or may get caught in moving components causing injury.

ELECTRICAL HAZARDS

- All generators covered by this manual produce dangerous electrical voltages and can cause fatal electrical shock. Utility power delivers extremely high and dangerous voltages to the transfer switch as does the standby generator when it is in operation. Avoid contact with bare wires, terminals, connections, etc., while the unit is running. Ensure all appropriate covers, guards and barriers are in place before operating the generator. If work must be done around an operating unit, stand on an insulated, dry surface to reduce shock hazard.
- Do not handle any kind of electrical device while standing in water, while barefoot, or while hands or feet are wet. **DANGEROUS ELECTRICAL SHOCK MAY RESULT.**
- If people must stand on metal or concrete while installing, operating, servicing, adjusting or repairing this equipment, place insulative mats over a dry wooden platform. Work on the equipment only while standing on such insulative mats.
- The National Electrical Code (NEC) requires the frame and external electrically conductive parts of the generator to be connected to an approved earth ground and/or grounding rods. This grounding will help prevent dangerous electrical shock that might be caused by a ground fault condition in the generator set or by static electricity. Never disconnect the ground wire.
- Wire gauge sizes of electrical wiring, cables and cord sets must be adequate to handle the maximum electrical current (ampacity) to which they will be subjected to.
- Before installing or servicing this (and related) equipment, make sure that all power voltage supplies are positively turned off at their source. Failure to do so will result in hazardous and possibly fatal electrical shock.
- Connecting this unit to an electrical system normally supplied by an electric utility shall be by means of a transfer switch so as to isolate the generator electric system from the utility electric system while in operation. Failure to isolate the two electric system power sources from each other by such means will result in damage to the generator and may also result in injury or death to utility power workers due to backfeed of electrical energy.

FIRE HAZARDS

- Keep a fire extinguisher near the generator at all times. **DO NOT** use any carbon tetra-chloride type extinguisher. Its fumes are toxic, and the liquid can deteriorate wiring insulation. Keep the extinguisher properly charged and be familiar with its use. If there are any questions pertaining to fire extinguishers, consult the local fire department.

EXPLOSION HAZARDS

- Properly ventilate any room or building housing the generator to prevent build-up of explosive gas.
- Do not smoke around the generator. Wipe up any fuel or oil spills immediately. Ensure that no combustible materials are left in the generator compartment, or on or near the generator, as **FIRE** or **EXPLOSION** may result. Keep the area surrounding the generator clean and free from debris.
- Generac generator sets may operate using one of several types of fuels. All fuel types are potentially **FLAMMABLE** and/or **EXPLOSIVE** and should be handled with care. Comply with all laws regulating the storage and handling of fuels. Inspect the unit's fuel system frequently and correct any leaks immediately. Fuel supply lines must be properly installed, purged and leak tested according to applicable fuel-gas codes before placing this equipment into service.
- Diesel fuels are highly **FLAMMABLE**. Gaseous fluids such as natural gas and liquid propane (LP) gas are extremely **EXPLOSIVE**. Natural gas is lighter than air, and LP gas is heavier than air; install leak detectors accordingly.

1.1 UNPACKING/INSPECTION

After unpacking, carefully inspect the contents for damage.

- This standby generator set has been factory installed in an all-weather, metal enclosure that is intended exclusively for outdoor installation.

⚠ WARNING ⚠

⚠ If this generator is used to power electrical load circuits normally powered by a utility power source, code requires to install a transfer switch. The transfer switch must effectively isolate the electrical system from the utility distribution system when the generator is operating (NEC 701). Failure to isolate an electrical system by such means will result in damage to the generator and also may result in injury or death to utility power workers due to backfeed of electrical energy.

If any loss or damage is noted at time of delivery, have the person(s) making the delivery note all damage on the freight bill or affix his or her signature under the consignor's memo of loss or damage.

If there is loss or damage after delivery, separate the damaged materials and contact the carrier for claim procedures.

“Concealed damage” is understood to mean damage to the contents of a package that is not in evidence at the time of delivery, but is discovered later.

◆ 1.1.1 LIFTING THE GENERATOR

⚠ WARNING ⚠

- ⚠ When lifting or hoisting equipment is used, be careful not to touch overhead power lines.
- ⚠ The generator's weight of more than 2,000 pounds requires proper tools and equipment, and qualified personnel to be used in all phases of handling and unpacking.

1.2 THE GENERATOR

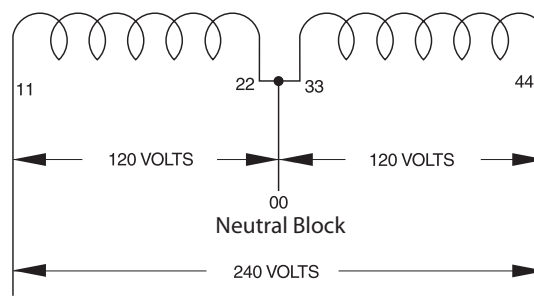
This liquid-cooled, Guardian generator set is designed to supply electrical power to operate critical electrical loads during utility power failure. Use this generator as a source of electrical power for the operation of 120 and/or 240-volt, single-phase loads.

1.3 GENERATOR AC CONNECTION SYSTEMS

Figure 1.1 represents a single-phase, four-wire generator AC connection system. The stator assembly in this system consists of a pair of stationary windings with two leads brought out of each winding. Each single winding can supply a 120-volt, 60-Hertz AC output.

When the two windings are connected in series, a 240-volt, 60-Hertz AC output results. Typically, the two “hot” leads in the circuit are Wires 11 and 44. The neutral leads are the junction of Wires 22 and 33.

Figure 1.1 – Single-phase Generator AC Connection System



1.4 PREPACKAGED TRANSFER SWITCH

The transfer switch shipped with this generator is rated 200 amps maximum at 120/240 volts AC single-phase. The enclosure of the transfer switch is NEMA 3R. This type of enclosure is intended for indoor or outdoor use.

Follow these rules:

- Install the transfer switch on a firm, sturdy supporting structure.
- To prevent switch distortion, level the switch if necessary. This can be done by placing washers between the switch enclosure and mounting surface.
- Never install the switch where any corrosive substance might drop onto the enclosure.
- Where practical, protect the switch against excessive moisture, dust, dirt, lint, and construction grit. Always prevent corrosive vapors from coming in contact with enclosure.

1.5 AUTOMATIC SYSTEM OPERATION

When this generator, along with its transfer switch, has been installed and interconnected, a circuit board in the generator panel continuously monitors utility power source voltage. Should that voltage drop below a preset value, and remain at such a low state for a preset amount of time, the generator cranks and starts. After the generator starts, the transfer switch transfers load circuits so the generator can power them.

When utility source voltage has been restored, the switch transfers back to the utility source voltage, and the generator then shuts down after a brief cool-down time.

1.6 MAIN CIRCUIT BREAKER

The generator's main circuit breaker is included with the unit as shipped from the factory. The breaker for each unit is described as follows:

Model Number	Circuit Breaker Rating
0043733, 0043734, 0043735	200-amp breaker
0046262, 0046263, 0046264	200-amp breaker

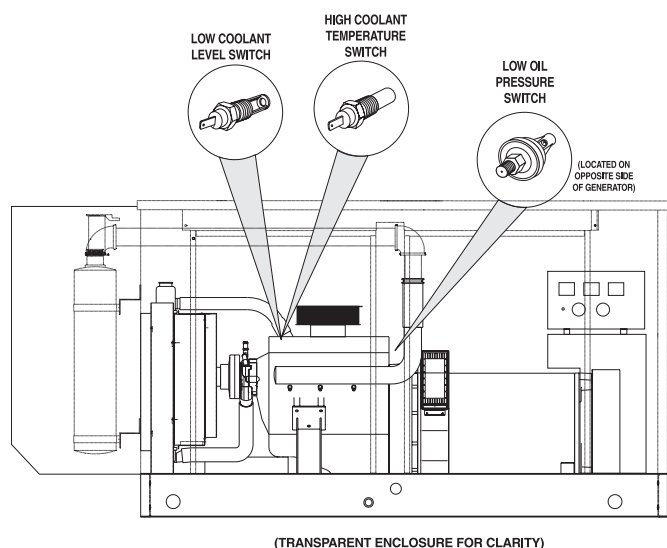
1.7 ENGINE PROTECTIVE DEVICES

The engine has several safety switches that cause it to automatically shut down under the following conditions: low oil pressure, high coolant temperature, low coolant level, engine overspeed and overcrank.

◆ 1.7.1 LOW OIL PRESSURE SWITCH

This switch is normally closed (N.C.) but is held open by engine oil pressure during engine running. Should operating oil pressure drop below approximately 10 psi (68 kPa), the switch contacts close, and the engine shuts down automatically (Figure 1.2).

Figure 1.2 – Engine Protective Devices



◆ 1.7.2 HIGH COOLANT TEMPERATURE SWITCH

This normally open (N.O.) thermostatic switch has a sensing tip that is immersed in captive coolant. Should the coolant temperature exceed approximately 121° C (250° F), the switch contacts close, which causes the engine to shut down automatically (Figure 1.2).

◆ 1.7.3 LOW COOLANT LEVEL SWITCH

Should the engine coolant level drop below the level of the high coolant temperature switch, it is possible for the engine to overheat without automatic shut down. To prevent such overheating without automatic shut down, the engine has a low coolant level sensor. If the engine coolant drops too low, the engine automatically shuts down (Figure 1.2).

◆ 1.7.4 OVERSPEED SHUTDOWN

The control module assembly (CMA) circuit board on liquid-cooled units receives AC frequency (rpm) signals directly from the stator AC power windings. Should AC frequency exceed approximately 72 Hertz, circuit board action will automatically shut down the engine.

◆ 1.7.5 OVERCRANK SHUTDOWN

After 90 seconds of crank-rest cycles (about seven seconds cranking/seven seconds at rest), this function ends cranking if the engine fails to start in that 90-second span.

◆ 1.7.6 DC FUSE

This fuse is located on the front panel of the control system. It protects the panel wiring and components from damaging overload. Always remove this fuse before commencing work on the generator. The unit will not start or crank if the fuse is blown. Replace the fuse with one of the same size, type, and rating. Generac uses an AGC fuse rated at 15 amps.

1.8 SPECIFICATIONS

◆ 1.8.1 GENERATOR

Models.....0043733, 0043734,, 0043735
0046262, 0046263, 0046264

Rated Maximum Continuous AC Power Output (kW)*	40
Rated Voltage (volts)	120/240
Rated Maximum Continuous Current at 240 Volts, Single-phase (amps).....	167
Number of Rotor Poles	4
Driven Speed of Rotor (rpm)	1,800
Type of Stator	Four-wire
Rotor Excitation System	Direct Excited Brush-type System
Stator Insulation	Class "H"
Rotor Insulation	Class "F"

*Rated power of generator is subject to and limited by such factors as ambient temperature, altitude, engine condition and other factors. Engine power will decrease about 3.5 percent for each 1,000 feet above sea level; and also will decrease an additional 1 percent for each 6° C (10° F) above 15.5° C (60° F) ambient. Maximum output power of the generator is limited by maximum engine power.

◆ 1.8.2 GENERATOR AND LOAD COMPATIBILITY

The generator must be fully compatible with the rated voltage, number of phases and frequency of the connected electrical loads. The generator, connected electrical devices, or both, can be damaged if voltage, number of phases and frequency are not compatible.

NOTE:

This manual assumes that the standby generator has been properly selected, installed and interconnected by a competent, qualified electrician or installation contractor. Once the installation is complete, do nothing that may result in noncompatibility between the generator and connected electrical loads.

◆ 1.8.3 ENGINE

Make	General Motors
Displacement	4.3 liters (262 cu. in.)
Cylinder Arrangement	V-6
Valve Arrangement	Overhead Valves
Firing Order	1-6-5-4-3-2
Number of Main Bearings.....	4
Compression Ratio.....	9.4-to-1
No. of Teeth on Flywheel.....	168
Ignition System.....	Electronic
Ignition Timing at 1,800 rpm	40 degrees BTDC
Rated Horsepower at 1,800 rpm	67
Spark Plug Gap	0.045 inch (1.1 mm)
Recommended Spark Plugs	AC 41-932 or equivalent
Oil Pressure	30-50 psi
Crankcase Oil Capacity	4.5 U.S. quarts (4.25 L)
Recommended Engine Oil.....	SAE 15W-40
Type of Cooling System	Pressurized, closed recovery
Cooling Fan	Pusher Type
Cooling System Capacity	4.5 U.S. gallons (17 L)
Recommended Coolant.....	Use a 50-50 mixture of ethylene glycol and soft water.

Fuel Consumption

Natural Gas	720 cfh
LP Gas	288 cfh/7.9gph

1.9 FUEL REQUIREMENTS AND RECOMMENDATIONS

With LP gas, use only the vapor withdrawal system. This type of system uses the vapors formed above the liquid fuel in the storage tank.

Recommended fuels should have a Btu content of at least 1,000 Btus per cubic foot for natural gas; or at least 2,520 Btus per cubic foot for LP gas. Ask your fuel supplier for the Btu content of your fuel.

Fuel pressure for both natural gas and liquid propane setups should be 11 inches to 14 inches of water column (0.6 psi) at all load ranges.

—▲ WARNING ▲—

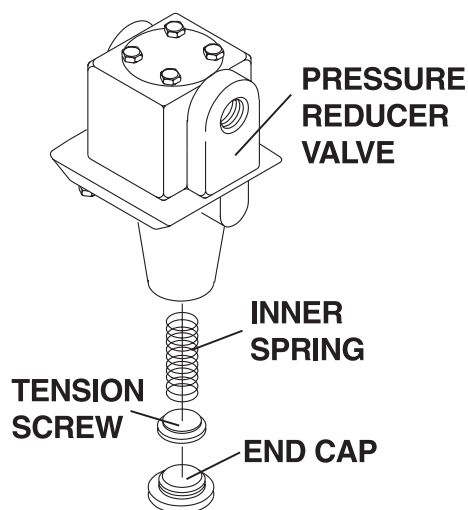
▲ Gaseous fuels such as natural gas and liquid propane (LP) gas are highly explosive. Even the slightest spark can ignite such fuels and cause an explosion. No leakage of fuel is permitted. Natural gas, which is lighter than air, tends to collect in high areas; LP gas is heavier than air and tends to settle in low areas – install leak detectors accordingly.

◆ 1.9.1 CONVERSION TO LP GAS VAPOR

The generator is shipped from the factory configured for using natural gas as fuel. To convert the fuel system to LP gas, proceed as follows (Figure 1.3).

1. Remove end cap from the pressure reducer valve.
2. Turn the tension screw counterclockwise until all tension is removed from the inner spring.
3. Install and tighten the end cap.
4. Invert the pressure reducer valve. In other words, turn it upside down (end cap facing downward).
5. Purge and leak test the entire fuel system according to gaseous fuel codes. NO LEAKS can appear at any point in the system.

Figure 1.3 – Conversion to LP Gas Vapor



1.10 ENGINE OIL RECOMMENDATIONS

The unit has been filled with 15W-40 engine oil at the factory. Use a high-quality detergent oil classified "For Service CC, SD, SE or SF." Detergent oils keep the engine cleaner and reduce carbon deposits. Use oil having the following SAE viscosity rating, based on the ambient temperature range anticipated before the next oil change:

Temperature	Oil Grade(Recommended)
Above 80° F (27° C)	SAE 30W or 15W-40
32° to 80° F (-1° C to 27° C)	SAE 20W-20 or 15W-40
Below 32° F (0° C)	SAE 10W or 15W-40

CAUTION

Any attempt to crank or start the engine before it has been properly serviced with the recommended oil may result in an engine failure.

1.11 COOLANT

Use a mixture of half low silicate, ethylene glycol base antifreeze and half soft water. Use only soft water and only low silicate antifreeze. If desired, add a high quality rust inhibitor to the recommended coolant mixture. When adding coolant, always add the recommended 50-50 mixture.

DANGER

Do not remove the radiator pressure cap while the engine is hot or serious burns from boiling liquid or steam could result.

Ethylene glycol base antifreeze is poisonous. Do not use mouth to siphon coolant from the radiator, recovery bottle or any container. Wash hands thoroughly after handling. Never store used antifreeze in an open container because animals are attracted to the smell and taste of antifreeze even though it is poisonous to them.

Do not use any chromate base rust inhibitor with ethylene glycol base antifreeze, or chromium hydroxide ("green slime") will form and cause overheating. Engines that have been operated with a chromate base rust inhibitor must be chemically cleaned before adding ethylene glycol base antifreeze. Using any high silicate antifreeze boosters or additives also will cause overheating. Generac also recommends that any soluble oil inhibitor NOT be used for this equipment.

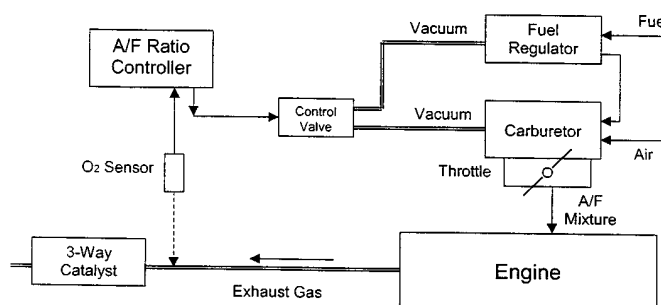
1.12 EMISSIONS CONTROL SYSTEM

(MODELS 0046262, 0046263 & 0046264)

This model is equipped with an active exhaust emissions control system to comply with certain California air district regulations for natural gas emergency generating sets, including the South Coast Air Quality Management District. **Do not** tamper with or disable any part of this system, including the exhaust catalyst, carburetor, oxygen sensor, air-fuel ratio controller, solenoid valve and gas regulator. These items are not subject to periodic maintenance or adjustment.

This model is of a size (greater than 50 brakehorsepower) that may require a review by air permitting authorities prior to installation and operation. **Consult the local air management district** for details and specific requirements.

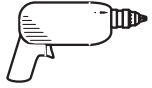
Figure 1.4 - Emissions Control System



1.12.1 AIR FUEL RATIO CONTROLLER



The air fuel ratio controller is an advanced micro-processor designed to work with a three-way catalyst and a feedback (rich bias) carburetor to provide close-loop fuel management. Its digital adaptive control is able to compensate for variations in fuel mixtures and engine tunes. It is time based activated. (For example, it will activate after 45 seconds from receiving the power signal.) The part number for the air fuel ratio controller is OD4221.

Principle of Operation: The oxygen sensor, installed on the exhaust pipe, between the engine and the catalytic muffler (closer to the engine), continuously monitors the exhaust gas composition. A feedback signal is sent from the oxygen sensor to the air fuel ratio controller, which controls the fuel system to maintain the optimal, stoichiometric air fuel ratio. The air fuel mixture to the engine is controlled by biasing the diaphragm in the fuel regulator using vacuum (from the carburetor). This vacuum signal is directed to the fuel regulator via the control valve. The air fuel ratio controller determines the amount of vacuum signal sent to the fuel regulator. The more vacuum sent to the regulator, the more restricted the fuel flow will be, therefore the leaner the air fuel mixture.




STANDBY GENERATOR INSTALLATION



 Connecting this generator to an electrical system normally supplied by an electric utility shall be by means of a transfer switch (such as the Generac “GTS” type transfer switch), so as to isolate the electric system from the utility distribution system when the generator is operating. Failure to isolate the electric system by these means will result in damage to the generator and may also result in injury or death to utility workers due to backfeed of electrical energy. 



 If an open bottom is used, the engine-generator is to be installed over non-combustible materials and should be located such that combustible materials are not capable of accumulating under the generator set.

Only qualified, competent installation contractors or electricians thoroughly familiar with applicable codes, standards and regulations should install this standby electric power system. The installation must comply strictly with all codes, standards and regulations pertaining to the installation.

This genset must be installed on a level surface. The base frame must be level within two (2) inches all around.



After the system has been installed, you must not do anything that might render the installation in noncompliance with such codes, standards and regulations.

NOTE:

For more information about the installation of a standby system, you can order *Engine-Generator Standby Electric Power Systems Installer’s Guide and Reference Manual (part #046622)* from a Generac Authorized Service Dealer.

◆ NFPA STANDARDS

The following published standards booklets pertaining to standby electric systems are available from the National Fire Protection Association (NFPA), Batterymarch Park, Quincy, MA 02269:

- NFPA No. 37, STATIONARY COMBUSTION ENGINES AND GAS TURBINES.
- NFPA No. 76A, ESSENTIAL ELECTRICAL SYSTEMS FOR HEALTH CARE FACILITIES.
- NFPA No. 220, STANDARD TYPES OF BUILDING CONSTRUCTION
- NFPA No. 68, GUIDE FOR EXPLOSION VENTING
- NFPA No. 70, NATIONAL ELECTRICAL CODE.
- NFPA No. 30, FLAMMABLE AND COMBUSTIBLE LIQUIDS CODE.
- NFPA No. 10, INSTALLATION, MAINTENANCE AND USE OF PORTABLE FIRE EXTINGUISHERS.

◆ OTHER PUBLISHED STANDARDS

In addition to NFPA standards, the following information pertaining to the installation and use of standby electric systems is available:

- Article X, NATIONAL BUILDING CODE, available from the American Insurance Association, 85 John Street, New York, N.Y. 10038.
- AGRICULTURAL WIRING HANDBOOK, obtainable from the Food and Energy Council, 909 University Avenue, Columbia, MO, 65201.
- ASAE EP-364.2, INSTALLATION AND MAINTENANCE OF FARM STANDBY ELECTRIC POWER, available from the American Society of Agricultural Engineers, 2950 Niles Road, St. Joseph, MI 49085.
- A52.1, AMERICAN NATIONAL STANDARD FOR CHIMNEYS, FIREPLACES AND VENTING SYSTEMS, available from the American National Standard Institute, 1430 Broadway, New York, N.Y. 10018.
- NEC HANDBOOK available from the National Fire Protection Association, 1 Batterymarch Park, PO Box 9146, Quincy, MA 02269-9959.

2.1 BASIC STANDBY ELECTRIC SYSTEM

Figure 2.1 shows a schematic diagram of a basic standby electric system. Both the UTILITY power supply and the STANDBY (generator) output are connected to an approved transfer switch. The transfer switch is required by electrical code and serves the following functions:

- Permits the LOAD circuits to be connected to only one power supply at a time.
- Prevents electrical backfeed between STANDBY power and the UTILITY power circuits.

Notice that both the STANDBY and the UTILITY power supplies to the transfer switch are protected against overload by a main line circuit breaker.

NOTE:

Generac recommends the use of a Generac Power Systems “pre-packaged” type transfer switch (Part No. 0D4406) in conjunction with this generator.

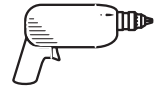
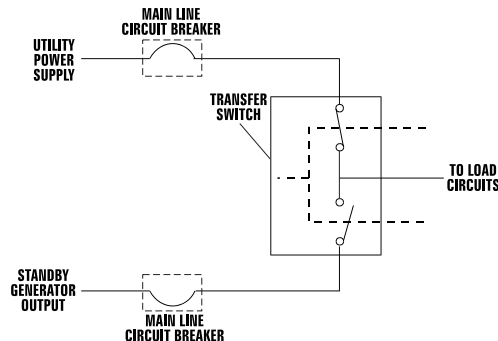


Figure 2.1 – Basic Standby Electric System



2.2 EMERGENCY CIRCUIT ISOLATION METHOD

This prevents overloading the generator by keeping electrical loads below the wattage/amperage capacity of the generator. If the generator is powering only critical loads, within its wattage/amperage capacity, during utility power outages, consider using the emergency circuit isolation method.

Critical electrical loads are grouped together and wired into a separate “Emergency Distribution Panel.” Load circuits powered by that panel are within the wattage/amperage capacity of the generator set. When this method is used, it is difficult to overload the generator. The transfer switch must meet the following requirements:

- It must have an ampere rating equal to or greater than the total amperage rating of the emergency distribution panel circuit.
- It must be installed between the building’s main distribution panel and the emergency distribution panel.

2.3 TOTAL CIRCUIT ISOLATION METHOD

When a generator capable of powering all electrical loads in the circuit is to be installed, use the “Total Circuit Isolation Method.” It is possible for the generator to be overloaded when this isolation method is employed. The following apply to the transfer switch in this type of system.

- Ampere rating of the transfer switch must be equal to or greater than the ampere rating of the normal incoming utility service.
- The transfer switch must be installed between the utility service entrance and the building distribution panel.

2.4 GROUNDING THE GENERATOR

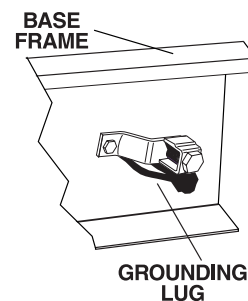
The National Electrical Code requires the frame and external electrically conductive parts of this equipment to be properly connected to an approved earth ground and/or grounding rods. For that purpose, a GROUND LUG (Figure 2.2) is provided on the generator mounting base. Consult a qualified electrician for grounding requirements in your area. Grounding procedures must meet local regulations.



Do not connect the ground wire to any pipe that carries a flammable or explosive substance – FIRE or an EXPLOSION may result.

Proper grounding helps protect personnel against electrical shock in the event of a ground fault condition in the generator or in connected electrical devices. In addition, grounding helps dissipate static electricity that often builds up in ungrounded devices.

Figure 2.2 – Generator Grounding Lug (typical)



2.5 GENERATOR AC NEUTRAL CONNECTIONS

Generac uses an UNGROUNDED AC neutral. Grounding is recommended only at the main service entrance.

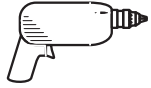
2.6 TRANSFER SWITCH START SIGNAL CONNECTIONS

◆ 2.6.1 PRE-PACKAGED TYPE SWITCH

Connect the six signal wires from the automatic transfer switch to the engine generator control, which is located on the upper right side and inside the lower control panel. Match wires 23, 194, N1, N2, T1 and T2 in the transfer switch to the corresponding wires on the terminal strip in the lower panel. The conductors for these wires should be in a separate conduit from the main AC output wires. If the control wires are run in the same conduit, the control wires must be a shielded cable.

◆ 2.6.2 “GTS” Type Engineered Switch

Connect the two-wire start signal from the automatic transfer switch to the automatic start connection, which is located in the right hand corner inside the lower panel. Match wires 178 and 183 in the transfer switch to 178 and 183 on the terminal strip in the control panel. The conductors for the two-wire start circuit must be in their own conduit. If the control wires are run in the same conduit, the control wires must be a shielded cable.

**NOTE:**

When using a GTS switch, it is necessary to connect a 240V AC supply to N1 and N2 terminals of the generator to provide for battery charging. Wires T1, T2, 23 and 194 should not be connected.

2.7 BATTERY INSTALLATION

Standby generators installed with automatic transfer switches will crank and start automatically when normal (utility) source voltage is removed or is below an acceptable preset level. To prevent such automatic start-up and possible injury to personnel, do not connect battery cables until the normal source voltage at the transfer switch is correct and the system is ready to be placed into operation.

Storage batteries give off explosive hydrogen gas. This gas can form an explosive mixture around the battery for several hours after charging. The slightest spark can ignite the gas and cause an explosion. Such an explosion can shatter the battery and cause blindness or other injury. Any area that houses a storage battery must be properly ventilated. Do not allow smoking, open flame, sparks or any spark producing tools or equipment near the battery.

Battery electrolyte fluid is an extremely caustic sulfuric acid solution that can cause severe burns. Do not permit fluid to contact eyes, skin, clothing, painted surfaces, etc. Wear protective goggles, protective clothing and gloves when handling a battery. If fluid is spilled, flush the affected area immediately with clear water.



Do not dispose of the battery in a fire. The battery is capable of exploding.

Do not open or mutilate the battery. Released electrolyte can be toxic and harmful to the skin and eyes.

The battery represents a risk of high short circuit current. When working on the battery, always remove watches, rings or other metal objects, and only use tools that have insulated handles.

2.7.1 VENTED BATTERIES

The electrolyte is a dilute sulfuric acid that is harmful to the skin and eyes. It is electrically conductive and corrosive. The following procedures are to be observed:

- Wear full eye protection and protective clothing,
- Where electrolyte contacts the skin, wash it off immediately with water,
- Where electrolyte contacts the eyes, flush thoroughly and immediately with water and seek medical attention, and
- Spilled electrolyte is to be washed down with an acid-neutralizing agent. A common practice is to use a solution of one pound (500 grams) bicarbonate of soda to one gallon (4 liters) of water. The bicarbonate of soda solution is to be added until the evidence of reaction (foaming) has ceased. The resulting liquid is to be flushed with water and the area dried.

Lead acid batteries present a risk of fire because they generate hydrogen gas. The following procedures are to be followed:

- DO NOT SMOKE when near batteries,
- DO NOT cause flame or spark in battery area, and
- Discharge static electricity from body before touching batteries by first touching a grounded metal surface.

Servicing of batteries is to be performed or supervised by personnel knowledgeable of batteries and the required precautions. Keep unauthorized personnel away from batteries.

For recommended batteries, see Section 4.5, "Battery Maintenance". All batteries must be at 100 percent state-of-charge before they are installed on the generator.

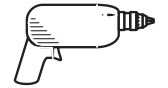
When using maintenance-free batteries, it is not necessary to check the specific gravity or electrolyte level. Have these procedures performed at the intervals specified in Section 4, "Maintenance." A negative ground system is used. Battery connections are shown on the wiring diagrams. Make sure all batteries are correctly connected and terminals are tight. Observe battery polarity when connecting batteries to the generator set.

NOTE:

Damage will result if the battery connections are reversed.

2.8 PREPARATION BEFORE START-UP

The instructions in this section assume that the standby generator has been properly installed, serviced, tested, adjusted and otherwise prepared for use by a competent, qualified installation contractor. Be sure to read the "Safety Rules" on Pages 2 and 3, as well as all other safety information in this manual, before attempting to operate this (and related) equipment.



◆ 2.8.1 PRIOR TO INITIAL START-UP



▲ Prior to initially starting the generator, it must be properly prepared for use. Any attempt to crank or start the engine before it has been properly serviced with the recommended types and quantities of engine fluids (oil, coolant, fuel, etc.) may result in an engine failure.

Before starting the generator for the first time, the installer must complete the following procedures. For follow-up maintenance information and/or service intervals, please refer to Section 4, "Maintenance."

◆ 2.8.2 TRANSFER SWITCH

If this generator is used to supply power to any electrical system normally powered by an electric utility, the National Electrical Code requires that a transfer switch be installed. The transfer switch prevents electrical backfeed between two different electrical systems. (For additional information, see the applicable transfer switch manual for this unit.) The transfer switch, as well as the generator and other standby components, must be properly located and mounted in strict compliance with applicable codes, standards and regulations.

◆ 2.8.3 FUEL SYSTEM

Make sure the fuel supply system to the generator (a) delivers the correct fuel at the correct pressure and (b) is properly purged and leak tested according to code. No fuel leakage is permitted. See Section 1.8, "Specifications", for more information.

◆ 2.8.4 GENERATOR SET LUBRICATION

Check the engine crankcase oil level before operating and add oil to the proper level – the dipstick "FULL" mark. Never operate the engine with the oil level below the dipstick "ADD" mark. See Section 1.8, "Specifications" and Section 1.10, "Engine Oil Recommendations".

NOTE:

This engine is shipped from the manufacturer with SAE 15W-40 oil. This oil should be changed after 30 hours of operation.

◆ 2.8.5 ENGINE COOLANT

Have the engine cooling system properly filled with the recommended coolant mixture. Check the system for leaks and other problems. See Section 1.8, "Specifications" and Section 1.11, "Coolant".

◆ 2.8.6 BELT TENSION

Check the engine fan belt tension and condition prior to placing the unit into service and at recommended intervals. Belt tension is correct when a force of approximately 22 pounds (10 kg), applied midway between pulleys, deflects the belt about 3/8- to 5/8-inch (10 to 16 mm).

◆ 2.8.7 ELECTRICAL SYSTEM

Make sure the generator is properly connected to an approved earth ground and/or ground rod.

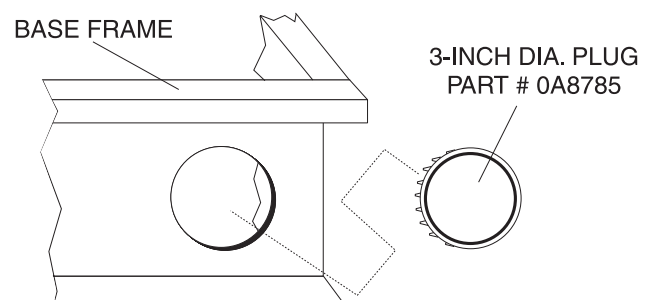
Make sure the generator battery is fully charged, properly installed and interconnected, and ready for use.

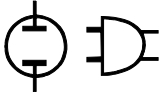
Check to ensure that there are no loose electrical connections. Restrain any loose wires to keep them clear of any moving generator set components.

◆ 2.8.8 RODENT PROTECTION

Make sure the four 3-inch diameter cap plugs (part # OA8785) are properly installed in the tie-down holes in the side rails of the unit's base frame (Figure 2.3). The cap plugs are shipped in a plastic bag located in the lower connection box. These plugs are needed to prevent rodents from accessing the interior of the generator set. On acoustic units, cap plugs also are needed to stay within noise specification limits.

Figure 2.3 - Base Frame Cap Plugs

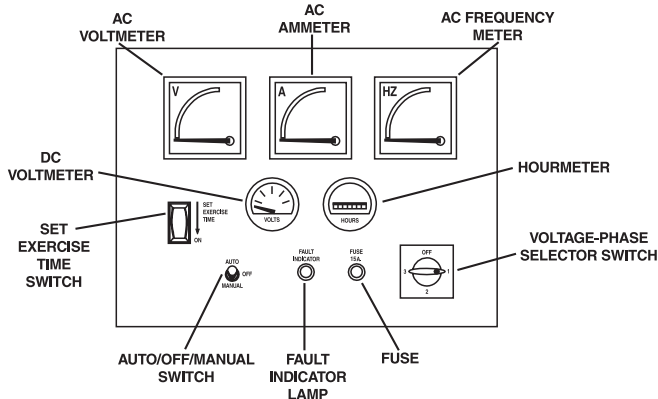




3.1 CONTROL CONSOLE COMPONENTS

The components of a liquid-cooled generator control console (Figure 3.1) are as follows:

Figure 3.1 – Control Console



◆ 3.1.1 AC VOLTMETER

The voltmeter displays generator AC output voltage during operation. Voltage is regulated by a solid-state voltage regulator and is proportional to AC frequency. Refer to the unit's DATA PLATE for rated AC voltage.

◆ 3.1.2 AC AMMETER

This indicates current draw of connected electrical loads during operation. DO NOT EXCEED THE UNIT'S RATED MAXIMUM CONTINUOUS CURRENT. Refer to the unit DATA PLATE.

◆ 3.1.3 AC FREQUENCY METER

This indicates generator AC output frequency in Hertz (cycles per second). Frequency is proportional to engine speed. Units with a four-pole rotor, supply 60 Hertz at 1,800 rpm. The frequency reading with no electrical loads connected (no-load condition) should be between 60-62 Hertz.

◆ 3.1.4 DC VOLTMETER

The generator is equipped with a belt-driven DC alternator, which maintains battery state of charge when the engine operates. The control module assembly (CMA) also incorporates a trickle charge circuit that maintains battery state of charge during nonoperating periods. Battery voltage should read approximately 12.5 to 14.5 volts DC. A low battery voltage indicates the battery is discharging.

◆ 3.1.5 HOURMETER

This indicates the time the engine-generator has operated, in hours and tenths of hours. Use the hourmeter along with the periodic maintenance schedule for your generator set.

◆ 3.1.6 AUTO/OFF/MANUAL SWITCH

See Section 3.2.

◆ 3.1.7 FAULT INDICATOR LAMP

This lamp goes ON when one or more of the following engine faults occurs and when engine shuts down.

- Low oil pressure
- High coolant temperature
- Low coolant level
- Overcrank
- Overspeed

◆ 3.1.8 15-AMP FUSE

This fuse protects the control console's DC control circuit against electrical overload. If the fuse has melted open because of an overload, engine cranking and start-up cannot occur. Replace the fuse with an identical AGC 15-amp replacement fuse.

◆ 3.1.9 7.5 AMP INLINE FUSE (NOT SHOWN)

This inline fuse is connected in the 15A line that runs between the Auto/Off/Manual switch and position 10 of the 76009A PCB. This fuse protects the start, fuel, field boost, and transfer outputs from the PCB and will open if there is excessive current draw on any one of these outputs.

◆ 3.1.10 VOLTAGE-PHASE SELECTOR SWITCH

This switch permits selection between either line-to-line or line-to-neutral voltage and amperage readings on the console AC voltmeter and AC ammeter.

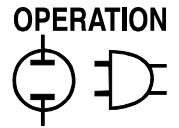
◆ 3.1.11 SET EXERCISE TIME SWITCH

This switch allows to program the generator to start and exercise automatically. (See Section 3.6)

3.2 USING THE AUTO/OFF/MANUAL SWITCH

◆ 3.2.1 "AUTO" POSITION

Selecting this switch position activates fully automatic system operation. It also allows the unit to start and exercise the engine every seven days with the setting of the exercise timer.



◆ 3.2.2 “OFF” POSITION

This switch position shuts down the engine. This position also prevents operation.

◆ 3.2.3 “MANUAL” POSITION

Set the switch to Manual to crank and start the engine. Transfer to standby power will not automatically occur unless there is a utility failure.

—▲ WARNING ▲—

▲ With the switch set to AUTO, the engine may crank and start at any time without warning. Such automatic starting normally occurs when utility power source voltage drops below a preset level or during the normal exercise cycle. To prevent possible injury that might be caused by such sudden starts, always set the switch to OFF and remove the fuse before working on or around the generator or transfer switch. Then, place a “Do Not Operate” tag on the generator panel and on the transfer switch.

3.3 AUTOMATIC TRANSFER OPERATION

To select automatic operation, do the following:

1. Make sure the transfer switch main contacts are set to their “Utility” position, i.e., loads connected to the utility power source.
2. Be sure that normal utility power source voltage is available to transfer switch terminal lugs N1 and N2.
3. Set the generator’s Auto/Off/Manual switch to AUTO.
4. Set the generator’s main circuit breaker to its ON (or closed) position.

With the preceding steps complete, the generator will start automatically when utility source voltage drops below a preset level. After the unit starts, loads are transferred to the standby power source. Refer to “Sequence of Automatic Operation.”

3.4 SEQUENCE OF AUTOMATIC OPERATION

The generator’s control panel houses a control logic circuit board. This board constantly monitors utility power source voltage. Should that voltage drop below a preset level, circuit board action will signal the engine to crank and start. After the engine starts, the circuit board signals the transfer switch to activate and connect load circuits to the standby power supply (load terminal lugs T1/T2 connect to terminal lugs E1/E2).

Upon restoration of utility source voltage above a preset level, generator circuit board action signals the transfer switch to transfer loads back to that power supply. After retransfer, the engine is signalled to shut down.

The actual sequence of operation is controlled by sensors and timers on a control logic circuit board, as follows:

A. Utility Voltage Dropout Sensor

- This sensor monitors utility source voltage.
- If utility source voltage drops below about 60 percent of the nominal supply voltage, the sensor energizes a 15-second timer.
- Once the timer has expired, the engine will crank and start.

B. Engine Warm-up Time Delay

- This mechanism lets the engine warm up for about 10 seconds before the load is transferred to a standby source.

C. Standby Voltage Sensor

- This sensor monitors generator AC output voltage. When the voltage has reached 50 percent of the nominal rated voltage, transfer to standby can occur.

D. Utility Voltage Pickup Sensor

- This sensor monitors utility power supply voltage. When that voltage is restored above 80 percent of the nominal source voltage, a retransfer time delay starts timing.

E. Retransfer Time Delay

- This timer runs for about 15 seconds.
- At end of a 15-second delay, circuit board action de-energizes transfer relay in the transfer switch.
- Retransfer to utility power source then occurs.

F. Engine Cool-down Timer

- When the load is transferred back to utility power source, the engine cool-down timer starts timing.
- The timer will run for about one minute, and the generator will then shut down.

3.5 ENGINE HEATER

This Generac standby generator comes equipped with a block heater (Figure 3.2, page 14) that is similar to the block heaters used in automotive applications. The block heater must be connected to a customer supplied 120V AC circuit.

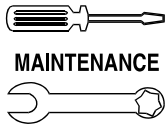
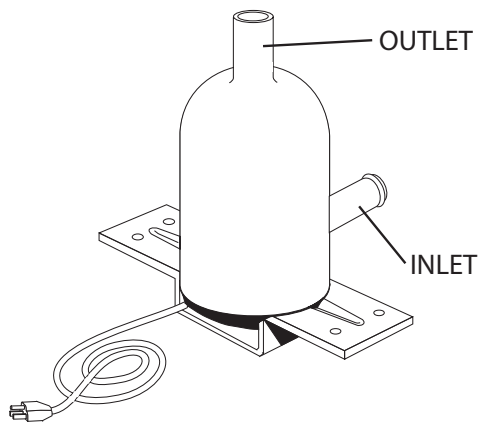


Figure 3.2 – Engine Block Heater



Refer to applicable wiring diagram(s) and electrical schematic(s) at the back of this manual for wiring connections.

3.6 WEEKLY EXERCISE CYCLE

The generator will start and exercise once every seven days. During this weekly exercise, the unit runs for approximately 20 minutes and shuts down. Transfer of loads to generator output does not occur during the exercise unless power is lost during the exercise period.

To select the day of the week and time of day for exercising, proceed as follows:

- Set the Auto/Off/Manual switch to OFF.
- Set generator’s main circuit breaker to its OFF (or open) position.
- Locate the rocker switch on the control panel identified with the words “Set Exercise Time” (Figure 3.3).
- Push “Set Exercise Time” switch to the ON position for 20 to 30 seconds and then release. The switch will spring back into its original position when released.
- Wait 30 seconds before setting the Auto/Off/Manual switch to the AUTO position.

NOTE:

The unit will exercise 20 minutes before it is set.
Example: Set – Noon; Exercise – 11:40 a.m.



⚠ If you switch the Auto/Off/Manual switch is switched too soon, the engine may start. If engine does start, it will shut down automatically in about two (2) minutes.

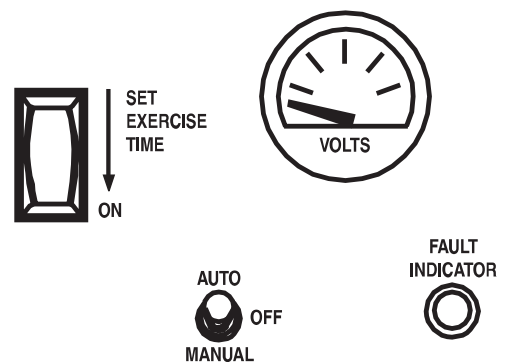
- Set the generator’s main circuit breaker to its ON (or closed) position.
- The generator is now programmed to start and exercise every seven days thereafter, on the day and at the time of day the switch was activated.

- Place a sign on the generator’s control panel and on the transfer switch that indicates the day and time the generator will be exercising.

NOTE:

If the battery terminals are disconnected or the control panel fuse is removed, the exercise timer needs to be reset for automatic exercise operation.

Figure 3.3 – “Set Exercise” Switch on Control Panel



4.1 CHECKING THE ENGINE OIL LEVEL

For oil capacities, see “Specifications,” Section 1.8. For engine oil recommendations, see Section 4.2.1. To check the engine oil level, proceed as follows (Figure 4.1):

1. Remove the dipstick and wipe it dry with a clean cloth.
2. Install the dipstick cap; then, remove it again. The oil level should be at the dipstick “Full” mark. If necessary, add oil to the “Full” mark only. **DO NOT FILL ABOVE THE “FULL” MARK.**
3. Install the dipstick.



⚠ Never operate the engine with the oil level below the “Add” mark on the dipstick. Doing this could damage the engine.

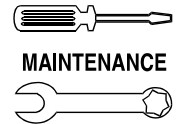


Figure 4.1 – Oil Dipstick and Fill

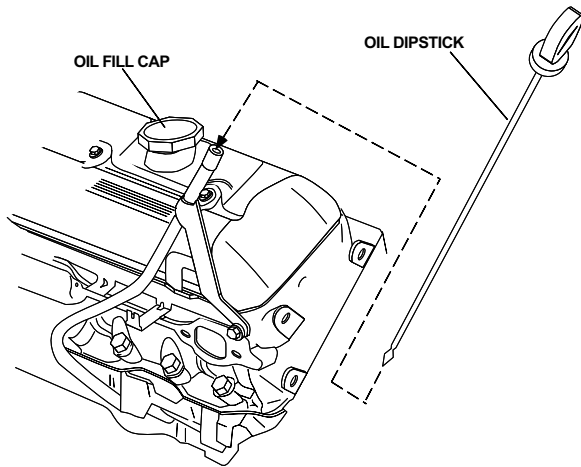
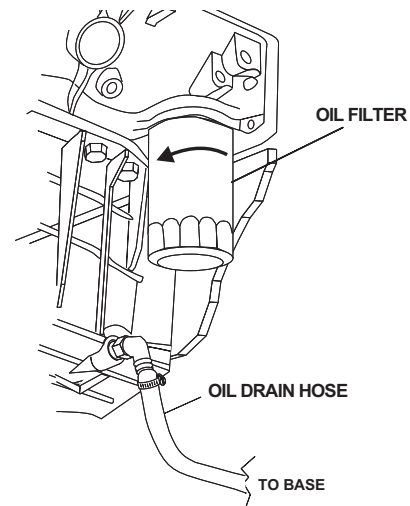


Figure 4.2 – Oil Filter



4.2 CHANGING THE ENGINE OIL AND FILTER

◆ 4.2.1 ENGINE OIL RECOMMENDATIONS

Use oil of API Service Class SG, SH or SJ. The recommended oil grade for the engine is SAE 15W-40.

NOTE:

The unit is supplied with “break-in” oil. See the “Service Schedule,” Section 4.12 (Page 19), for the first required oil change.



Any attempt to crank or start the engine before it has been properly serviced with the recommended oil may result in an engine failure.

◆ 4.2.2 OIL AND FILTER CHANGE PROCEDURE

To change the oil and filter, proceed as follows:

Refer to the “Service Schedule,” (Section 4.12, Page 19) for engine oil and filter change frequencies.

Drain the oil while the engine is still warm from running. This means, warm up the engine, shut it down and drain it immediately as follows:

1. Remove the oil drain hose from its retaining clip, located on the generator base frame.
2. Loosen and remove the oil drain hose cap, located on the base frame end of the hose. Drain the oil completely into a suitable container.
3. When all of the oil has drained, install and tighten the oil drain hose cap.
4. Turn the oil filter (Generac part number 0A37970001, Figure 4.2) counterclockwise and remove it. Properly dispose of the old filter.

5. Apply a light coating of engine oil to the seal of new oil filter. Install the filter and tighten by hand only. DO NOT OVERTIGHTEN.
6. Remove the oil fill cap (Figure 4.1). Add the recommended oil (see Section 4.2.1). DO NOT FILL ABOVE THE DIPSTICK “FULL” MARK. Crankcase oil capacity is 4.5 U.S. quarts (4.25 L).

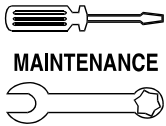


After refilling the crankcase with oil, always check the oil level on the dipstick. Never operate the engine with the oil level below the “Add” mark on the dipstick. Doing this could damage the engine.

7. Start the engine and check for oil leaks.
8. Check the oil level after checking for leaks to ensure that the oil is filled to the proper level.

4.3 CHANGING THE ENGINE AIR CLEANER

To replace the engine air cleaner, (Generac part number 0A4637, simply remove the air cleaner cover and replace the air filter making sure it is positioned properly before reattaching the cover. (See Figure 4.3, page 16).

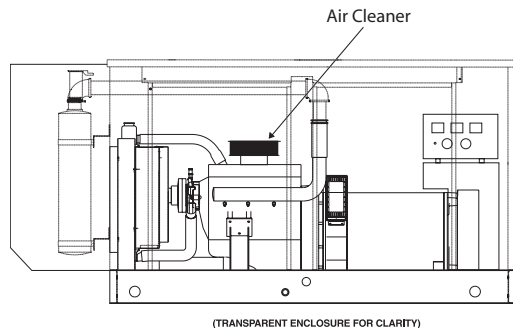


MAINTENANCE

Section 4 – Maintenance

Guardian Liquid-cooled 40 kW Generator

Figure 4.3 – Engine Air Cleaner



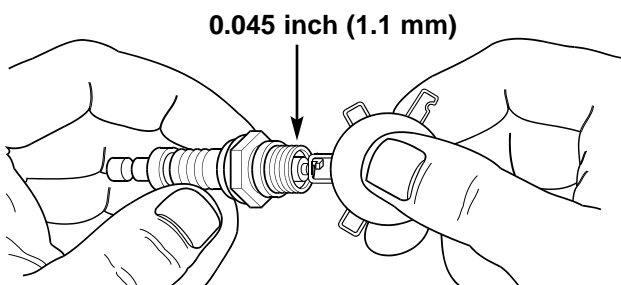
See the “Service Schedule,” Section 4.12, for recommended air cleaner maintenance.

4.4 SPARK PLUGS

Reset the spark plug gap or replace the spark plugs as necessary. See Section 4.12.

1. Clean the area around the base of the spark plugs to keep dirt and debris out of the engine. Clean the plugs by scraping using a wire brush. Do not “blast” the spark plugs to clean.
2. Remove the spark plugs and check the condition. Replace the spark plugs if worn or if reuse is questionable. See the “Service Schedule,” Section 4.12, for recommended inspection.
3. Check the spark plug gap using a feeler gauge. Adjust the gap to 0.045 inch (1.1 mm) by carefully bending the ground electrode (Figure 4.4).

Figure 4.4 – Setting the Spark Plug Gap



4.5 BATTERY MAINTENANCE

The battery should be inspected per the “Service Schedule,” Section 4.12. The following procedure should be followed for inspection:

1. Inspect the battery posts and cables for tightness and corrosion. Tighten and clean as necessary.
2. Check the battery fluid level of unsealed batteries and, if necessary, fill with DISTILLED WATER ONLY. DO NOT USE TAP WATER IN BATTERIES.
3. Have the state of charge and condition checked. This should be done with an automotive-type battery hydrometer or load test.

16 Generac® Power Systems, Inc.

⚠ DANGER ⚠

⚠ Standby generators installed with automatic transfer switches will crank and start automatically when normal (utility) source voltage is removed or is below an acceptable preset level. To prevent such automatic start-up and possible injury to personnel, do not connect battery cables until the normal source voltage at the transfer switch is correct and the system is ready to be placed into operation.

⚠ Storage batteries give off explosive hydrogen gas. This gas can form an explosive mixture around the battery for several hours after charging. The slightest spark can ignite the gas and cause an explosion. Such an explosion can shatter the battery and cause blindness or other injury. Any area that houses a storage battery must be properly ventilated. Do not allow smoking, open flame, sparks or any spark producing tools or equipment near the battery.

⚠ Battery electrolyte fluid is an extremely caustic sulfuric acid solution that can cause severe burns. Do not permit fluid to contact eyes, skin, clothing, painted surfaces, etc. Wear protective goggles, protective clothing and gloves when handling a battery. If fluid is spilled, flush the affected area immediately with clear water.

⚠ WARNING ⚠

⚠ Do not dispose of the battery in a fire. The battery is capable of exploding.

⚠ Do not open or mutilate the battery. Released electrolyte can be toxic and harmful to the skin and eyes.

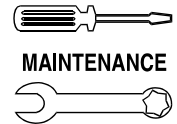
⚠ The battery represents a risk of high short circuit current. When working on the battery, always remove watches, rings or other metal objects, and only use tools that have insulated handles.

◆ 4.5.1 BATTERY REPLACEMENT

Generac uses a Group 27F vented type battery that has 600 CCA @ 0° F. Generac's part number is 058665.

NOTE:

The BCI number should be located directly on the battery.



4.6 COOLING SYSTEM

Air intake and outlet openings in the generator compartment must be open and unobstructed for continued proper operation. This includes such obstructions as high grass, weeds, brush, leaves and snow.

Without sufficient cooling and ventilating air flow, the engine/generator quickly overheats, which causes it to shut down.



WARNING
The exhaust system of this product gets extremely hot and remains hot after shutdown. High grass, weeds, brush, leaves, etc. must remain clear of the exhaust. Such materials may ignite and burn from the heat of the exhaust system.

4.7 OVERLOAD PROTECTION FOR ENGINE DC ELECTRICAL SYSTEM

Engine cranking, start-up and running are controlled by a solid-state engine controller circuit board. Battery voltage is delivered to that circuit board via a 15-amp fuse. These overcurrent protection devices will open if the circuit is overloaded.

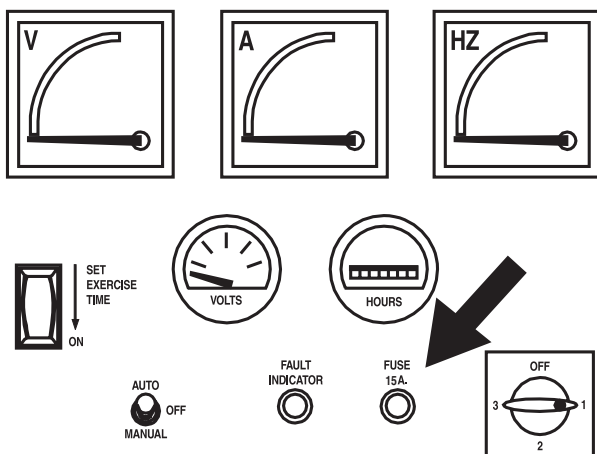


CAUTION
If a circuit breaker opens or a fuse element melts, you should find the cause of the overload before resetting the circuit breaker or replacing the fuse.

4.8 DC FUSE

The generator panel's 15-amp AGC fuse (Figure 4.4) protects the DC control circuit against overload. The fuse is wired in series with the battery output lead to the panel. If the fuse element has melted open, cranking or starting the engine cannot occur. Replace the fuse using only an identical 15-amp AGC replacement.

Figure 4.4 – Location of 15-amp Fuse



4.9 ENGINE COOLANT

Check the coolant level in the coolant recovery bottle.

- Add the recommended coolant mixture as necessary, see Section 1.10.
- Periodically remove the radiator pressure cap to make sure the coolant recovery system is functioning properly. Coolant should be at the bottom of the radiator filler neck. If the coolant level is low, inspect the gasket in the radiator pressure cap. Replace the cap, if necessary. To have the pressure cap tested, contact a Generac/Guardian Authorized Dealer. Inspect the cooling system and coolant recovery system for leaks.

4.10 MISCELLANEOUS MAINTENANCE

4.10.1 CLEANING THE GENERATOR

Keep the generator as clean and as dry as possible. Dirt and moisture that accumulate on internal generator windings have an adverse effect on insulation resistance.

Periodically, clean the generator's exterior surfaces. A soft brush may be used to loosen caked on dirt. Use a vacuum system or dry, low pressure air to remove any accumulations of dirt. The generator is housed inside an all-weather enclosure; clean the enclosure with a soft, damp cloth or sponge and water.

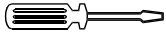
Once each year, have the generator cleaned and inspected by a Generac/Guardian Authorized Dealer. Service technicians will use dry, low pressure air to clean internal windings. Parts inside the control console should be cleaned and inspected at this time as well.

Finally, have the insulation resistance of stator and rotor windings checked. If insulation resistances are excessively low, the generator may require drying.

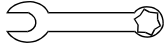
4.10.2 RODENT PROTECTION

The intrusion of rodents into the generator set can cause a wide range of problems, from failure of the unit to start, to personal injury and, in extreme circumstances, short circuit or fire. Although the unit was designed to limit this problem, further precautions can be taken by the owner to help minimize both the chance of rodent entry and the extent of any damage. The following inspection should be performed.

1. The base frame of the unit contains an optional fuel inlet location and four lifting holes that are capped at the factory. These caps are sometimes removed for transportation during installation but always should be replaced afterwards. Check that they are secured in place. The same applies for any access ports in the roof of the enclosure. If any of these caps are missing, contact a Generac/Guardian Authorized Dealer.



MAINTENANCE



Section 4 – Maintenance

Guardian Liquid-cooled 40 kW Generator

2. Inside the generator set, the chance of rodent entry into the control panel is greatly reduced by the inclusion of adjustable wire connectors. Check that the wire connector screws are tight, thus closing off any gap between the access holes and the wires.

4.11 OUT OF SERVICE PROCEDURE

◆ 4.11.1 REMOVAL FROM SERVICE

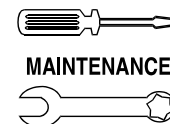
If the generator cannot exercise every seven days, and it is to be out of service longer than 90 days, prepare the generator for storage as follows:

1. Start the engine and let it warm up.
2. Close the fuel shutoff valve in the fuel supply line and allow the unit to shut down.
3. Once the unit has shut down, it will signal a fault on the control panel.
4. Set the Auto/Off/Manual switch to OFF and turn off the utility power to the transfer switch.
5. While the engine is still warm from running, drain the oil completely. Refill the crankcase with SAE 15W-40 oil having API Service Class SG, SH or SJ.
6. Attach a tag to the engine indicating the viscosity and classification of the oil in the crankcase.
7. Remove the spark plug(s) and spray fogging agent into the spark plug(s) threaded openings. Reinstall and tighten the spark plug(s).
8. Remove the battery and store it in a cool, dry room on a wooden board. Never store the battery on any concrete or earthen floor.
9. Clean and wipe the entire generator.

◆ 4.11.2 RETURN TO SERVICE

To return the unit to service after storage, proceed as follows:

1. Verify that utility power is turned off to the transfer switch and that the Auto/Off/Manual switch is set to OFF.
2. Check the tag on the engine for oil viscosity and classification. Verify that the correct recommended oil is used in engine, see Section 4.2.1. If necessary, drain and refill with the proper oil.
3. Check the battery. Fill all cells to the proper level with distilled water. DO NOT USE TAP WATER IN THE BATTERY. Remove the battery before charging. Recharge the battery to 100 percent state of charge, or, if defective, replace the battery with a 12-volt DC Group 27F battery rated for 90 amp hours (part # 058665).
4. Clean and wipe the entire generator.
5. Reconnect the battery. Observe battery polarity. Damage may occur if the battery is connected incorrectly.
6. Open the fuel shutoff valve.
7. Start the unit by moving the Auto/Off/Manual switch to MANUAL. Allow the unit to warm up thoroughly.
8. Stop the unit and set the Auto/Off/Manual switch to AUTO.
9. Turn on the utility power to the transfer switch.
10. The generator is now ready for service.



4.12 SERVICE SCHEDULE

ATTENTION: It is recommended that all service work be performed by your nearest Generac/Guardian Authorized Dealer.

SYSTEM/COMPONENT	PROCEDURE			FREQUENCY
	Inspect	Change	Clean	
X = Action R = Replace/Adjust as Needed * = Notify Dealer if Repair is Needed.				W = Weekly M = Monthly Y = Yearly H = Hours
FUEL				
Fuel lines and connections*	X			EVERY 3 M
LUBRICATION				
Oil level	X			M
Oil		X		FIRST 9 H, EVERY 150 H / 6 M
Oil filter		X		FIRST 9 H, EVERY 150 H / 6 M
Oil line leakage*	X			100 H
COOLING				
Engine cooling system*	X			M
Coolant		X		Y
Enclosure louvers	X		X	W
EXHAUST				
Exhaust system	X			EVERY 3 M
Retorque Exhaust Manifold*	X			FIRST 100 H AND EVERY 800 H
BATTERY				
Charge and condition	X	R	X	EVERY 3 M
FAN BELT				
Tension and condition*	X	R		EVERY 3 M
ENGINE				
Retorque cylinder head*	X			FIRST 100 H AND EVERY 800 H
Retorque intake manifold*	X			FIRST 100 H AND EVERY 800 H
Starter motor*	X	R		EVERY 500 H
DC alternator*	X	R		EVERY 500 H AND Y
Air cleaner*	X	R		EVERY 500 H
Compression*	X			EVERY 800 H
Valve clearance*	X	R		EVERY 800 H
Governor*	X	R		Y
Safety devices*	X	R		EVERY 6 M
Spark plugs	X	R		500 H AND Y
Ignition system*	X	R		EVERY 3 M
GENERAL				
Overall condition	X		X	M
Exercise system				W
COMPLETE TUNE-UP*	TO BE COMPLETED BY A GENERAC/ GUARDIAN AUTHORIZED DEALER			Y

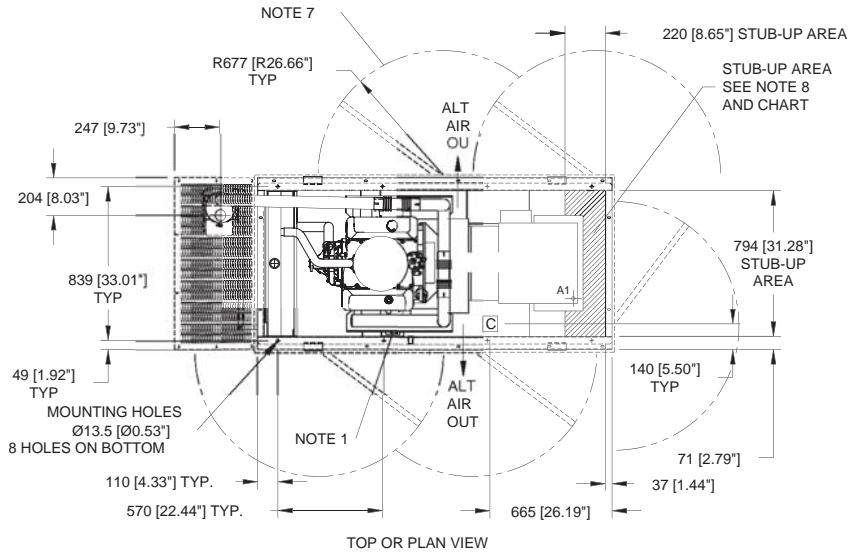
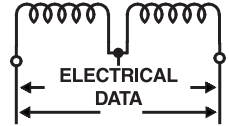


5.1 TROUBLESHOOTING GUIDE

PROBLEM	CAUSE	CORRECTION
The engine will not crank.	<ol style="list-style-type: none"> 1. Fuse blown 2. Loose, corroded or defective battery cables 3. Defective starter contactor 4. Defective starter motor 5. Dead Battery 	<ol style="list-style-type: none"> 1. Replace fuse. 2. Tighten, clean or replace as necessary. 3. * 4. * 5. Charge or replace battery.
The engine cranks but will not start.	<ol style="list-style-type: none"> 1. Out of fuel 2. Defective fuel solenoid (FS) 3. Open #14 wire from engine control board 4. Defective spark plug(s) 5. Dirty/Blocked air filter 	<ol style="list-style-type: none"> 1. Replenish fuel. 2. * 3. * 4. Clean, re-gap or replace plug(s). 5. Clean or replace as required.
The engine starts hard and runs rough.	<ol style="list-style-type: none"> 1. Air cleaner plugged or damaged 2. Defective spark plug(s) 3. Dirty/Blocked air filter 	<ol style="list-style-type: none"> 1. Check, clean or replace air cleaner. 2. Clean, re-gap or replace plug(s). 3. Clean or replace as required.
The engine starts, but then shuts down.	<ol style="list-style-type: none"> 1. Engine oil level low 2. Defective low oil pressure switch 3. Defective high temperature switch 4. Defective control board 5. Low coolant level 	<ol style="list-style-type: none"> 1. Check oil and add oil as needed. 2. * 3. * 4. * 5. Check coolant level, repair leaks and refill.
The Auto/Off/Manual switch is set to OFF, but the engine continues to run.	<ol style="list-style-type: none"> 1. Defective switch 2. Defective control board 	<ol style="list-style-type: none"> 1. * 2. *
There is no AC output from the generator.	<ol style="list-style-type: none"> 1. Generator main line circuit breaker open 2. Generator internal failure 	<ol style="list-style-type: none"> 1. Reset circuit breaker to ON (or closed). 2. *
There is no transfer to standby after utility source failure.	<ol style="list-style-type: none"> 1. Generator main line circuit breaker open 2. Defective transfer switch coil 3. Defective transfer relay 4. Transfer relay circuit open 5. Defective control logic board 	<ol style="list-style-type: none"> 1. Reset circuit breaker to ON (or closed). 2. * 3. * 4. * 5. *

***Contact your nearest Generac/Guardian Authorized Dealer for assistance.**

Section 6 – Electrical Data
Guardian Liquid-cooled 40 kW Generator
Mounting Dimensions - Drawing No. 0D5335



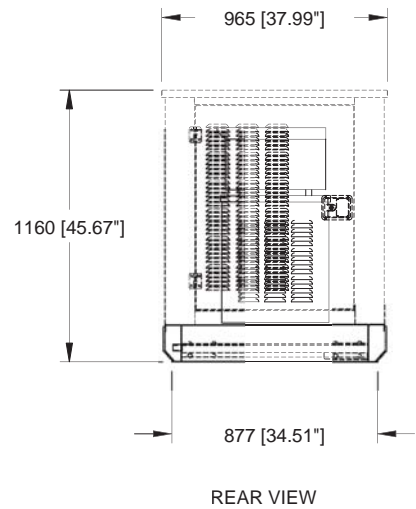
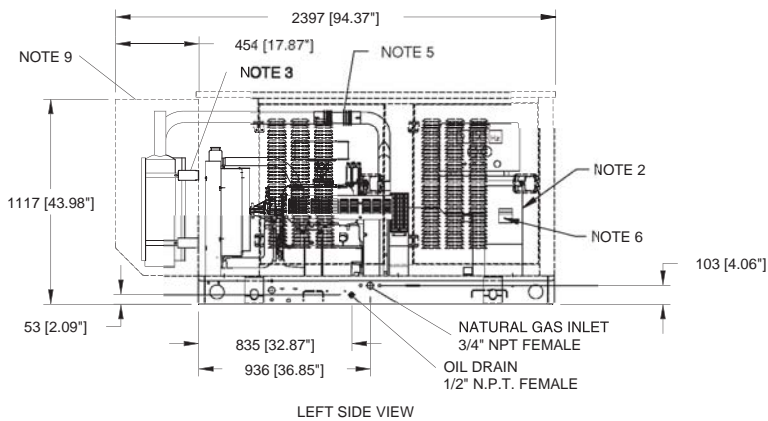
RECOMMENDED FUEL/ELECTRICAL STUB-UPS
(SEE TOP VIEW)

DESCRIPTION	INSIDE BASE
AC LOAD LEAD CONDUIT (LEFT)	A1
INSIDE STUB-UP FOR FUEL CONNECTIONS	C

NOTE:
 FUEL SYSTEM SET UP WITH OUTSIDE STUB UPS (SEE LEFT SIDE VIEW). SMALL FUEL SYSTEM MODIFICATIONS REQUIRED FOR INSIDE STUB-UPS.

WEIGHT DATA
 UNIT: 729.7 kg [1609 lbs]
 STEEL COMPARTMENT: 208.6 kg [460 lbs]

UNITS: mm [INCHES]

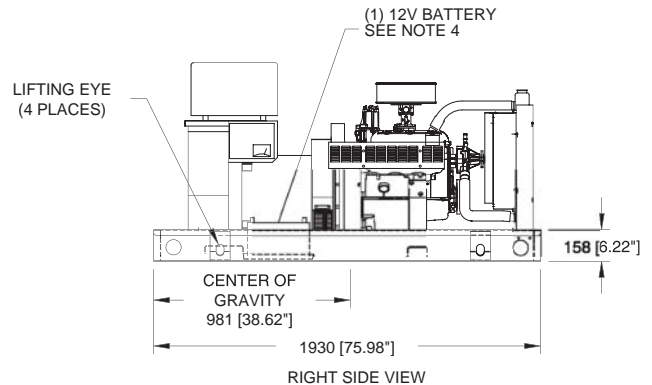


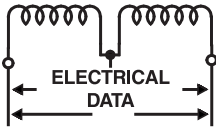
NOTES:

- STANDARD BLOCK HEATER REQUIRES 120V AC CONNECTION
- CONNECTION POINTS FOR AC LOAD LEADS, TRANSFER SWITCH, AND ENGINE AUTOMATIC START/STOP CONTROL WIRES PROVIDED IN AC CONNECTION PANEL.
- EXHAUST MUFFLER SUPPORT BRACKETS SUPPLIED WITH OPTIONAL COMPARTMENT.
- 12 VOLT NEGATIVE GROUND SYSTEM
 BATTERY TRAY INSIDE DIMENSIONS: 178 X 342.5 [7" X 13.5"]
- 2.5" I.D. FLEX EXHAUST
- MAIN LINE CIRCUIT BREAKER.
- DOORS MUST BE OPENED 90 DEG. TO BE REMOVED.
- A1 MAY BE USED FOR CIRCUIT BREAKER STUB-UP LOCATION.
- SEE DRAWING C3850 FOR DUCT REMOVAL. REMOVAL OF FRONT DUCT WILL PROVIDE ACCESS TO MUFFLER FOR SERVICING.

ENGINE SERVICE CONNECTIONS

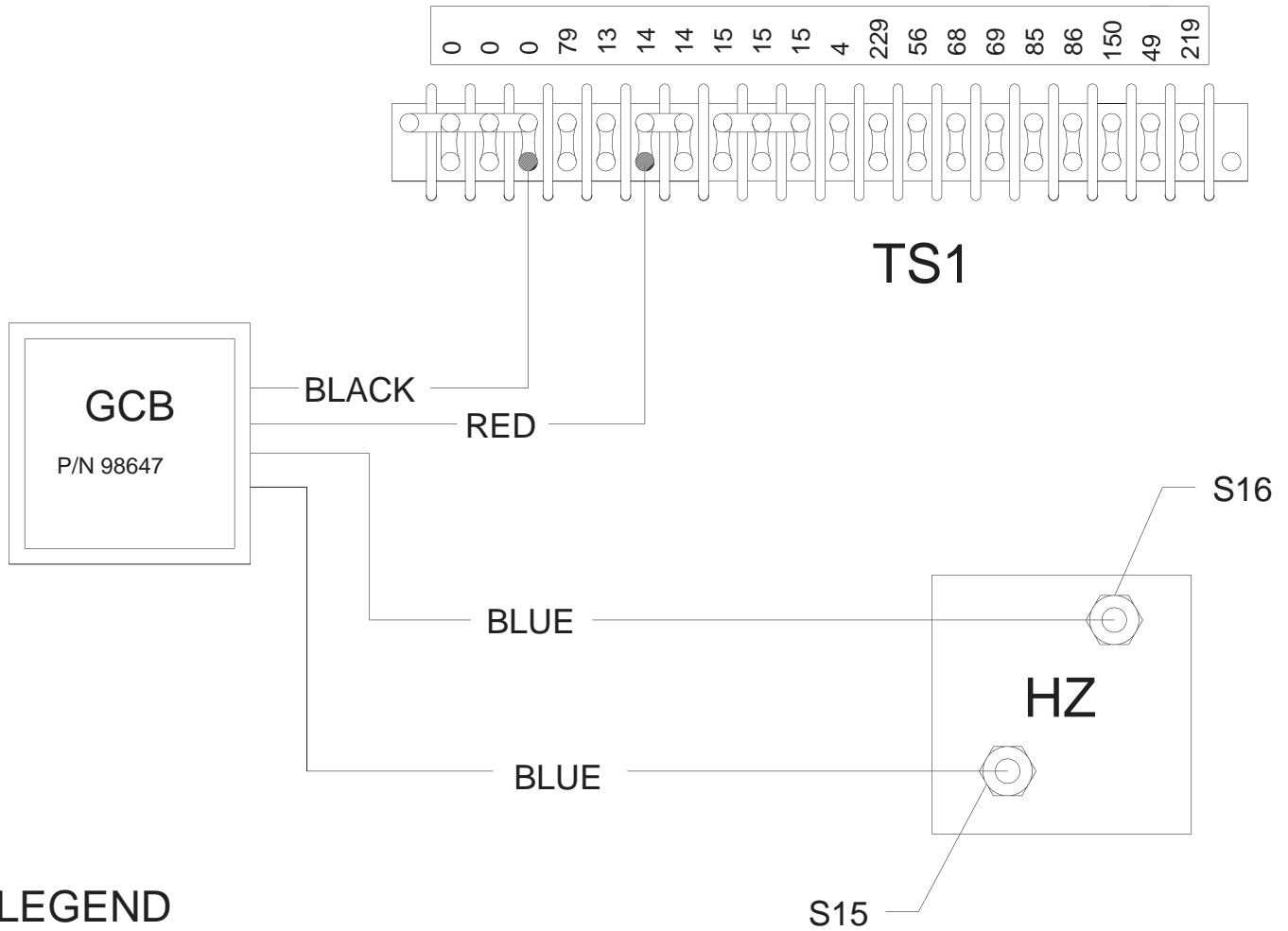
INLET NATURAL GAS = 3/4" NPT COUPLING
 OIL DRAIN = 1/2" NPT COUPLING
 EXHAUST OUTLET - 2.5" OD MUFFLER OUTLET





Section 6 – Electrical Data

**(Model No. 0043733, 0043734 & 0043735) Guardian Liquid-cooled 40 kW Generator
Electrical Schematic (Stepper Motor) – Drawing No. 0A5858**

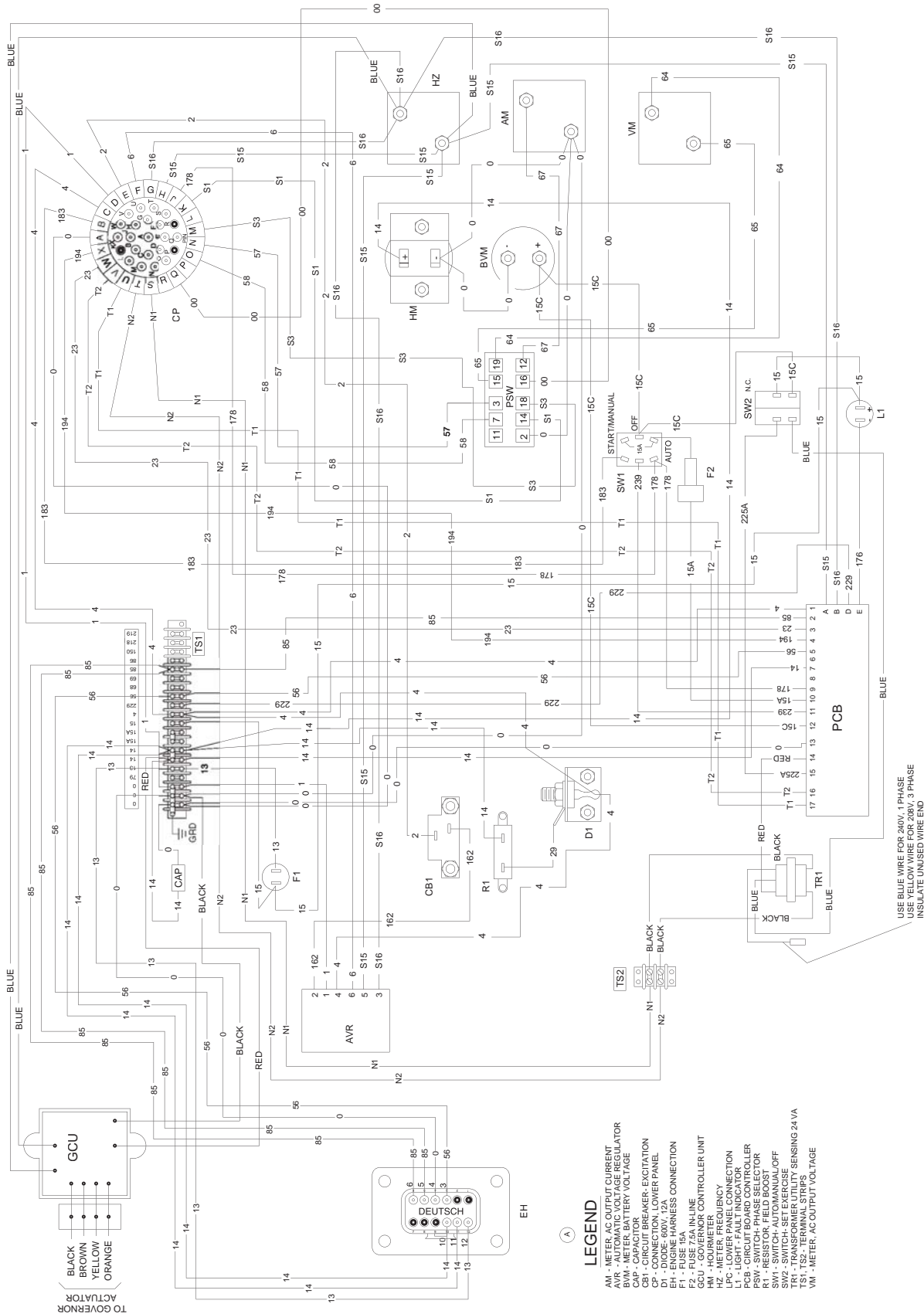
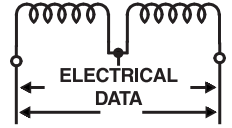


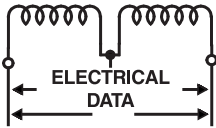
LEGEND

- GCB - GOVERNOR CONTROL BOARD
- HZ - FREQUENCY METER
- TB1 - TERMINAL BLOCKS

Section 6 – Electrical Data

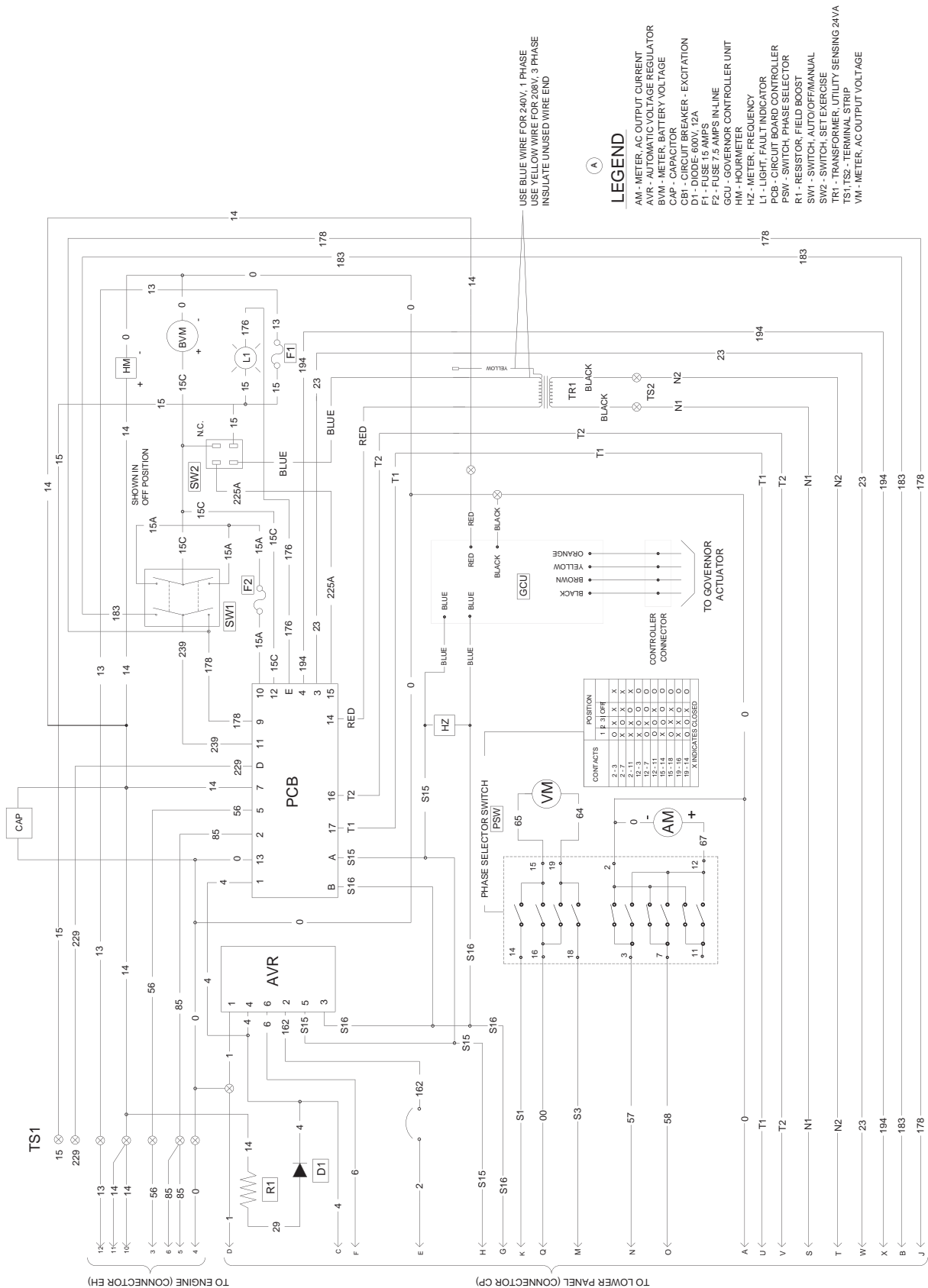
(Model No. 0043733, 0043734 & 0043735) Guardian Liquid-cooled 40 kW Generator Wiring Diagram – Pre-pack Panel (4.3L) – Drawing No. 0D4992-A





Section 6 – Electrical Data

(Model No. 0043733, 0043734 & 0043735) Guardian Liquid-cooled 40 kW Generator Electrical Schematic – Pre-pack Panel (4.3L) – Drawing No. 0D4993-A



USE BLUE WIRE FOR 240V, 1 PHASE
USE YELLOW WIRE FOR 208V, 3 PHASE
INSULATE UNUSED WIRE END

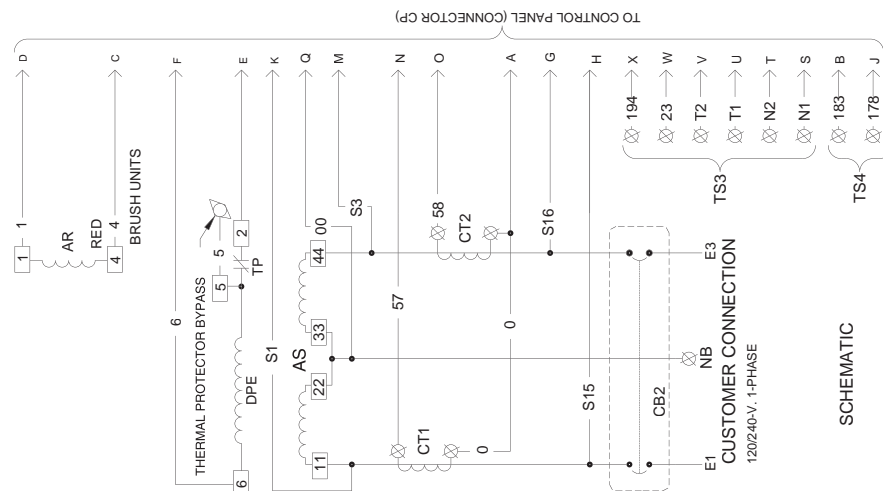
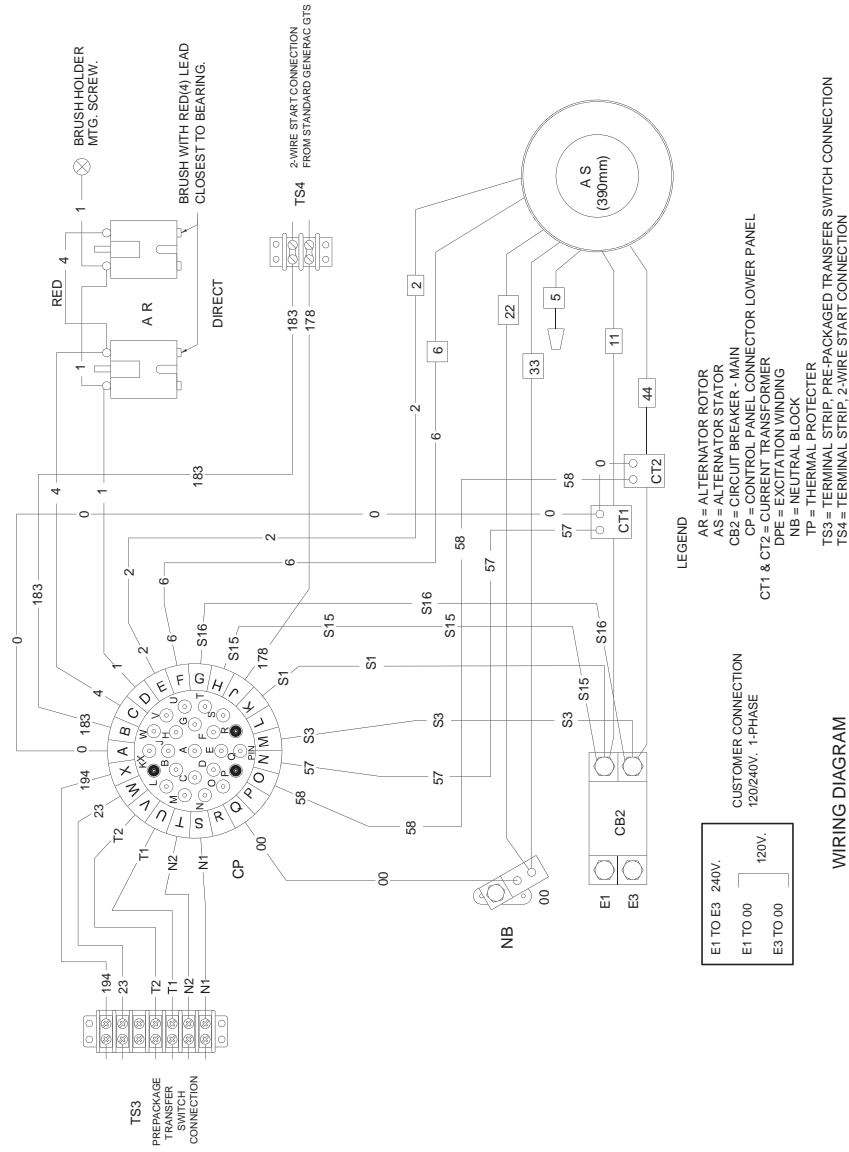
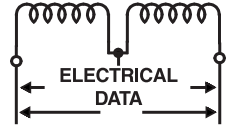
LEGEND

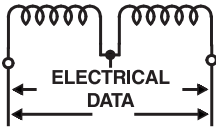
- AM - METER, AC OUTPUT CURRENT
- AVR - AUTOMATIC VOLTAGE REGULATOR
- BVM - METER, BATTERY VOLTAGE
- CAP - CAPACITOR
- CB1 - CIRCUIT BREAKER - EXCITATION
- D1 - DIODE - 600V, 12A
- F1 - FUSE 15 AMPS
- F2 - FUSE 7.5 AMPS IN-LINE
- GCU - GOVERNOR CONTROLLER UNIT
- HM - HOURMETER
- HZ - METER, FREQUENCY
- L1 - LIGHT, FAULT INDICATOR
- PCB - CIRCUIT BOARD CONTROLLER
- PSW - SWITCH, PHASE SELECTOR
- R1 - RESISTOR, FIELD BOOST
- SW1 - SWITCH, AUTO/OFF/MANUAL
- SW2 - SWITCH, SET EXERCISE
- TR1 - TRANSFORMER, UTILITY SENSING 24/VA
- TS1 - TEST TERMINAL STRIP
- VM - METER, AC OUTPUT VOLTAGE

CONTACTS	POSITION
2-3	1-2 OFF
2-3	0
2-7	X
2-11	X
12-7	O
12-11	O
15-18	O
19-18	X
19-18	X
19-18	O

X INDICATES CLOSED

Section 6 – Electrical Data
Guardian Liquid-cooled 40 kW Generator
Wiring Diagram/Schematic – Lower Panel – Drawing No. 0D5997

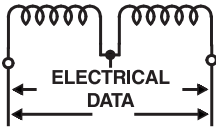




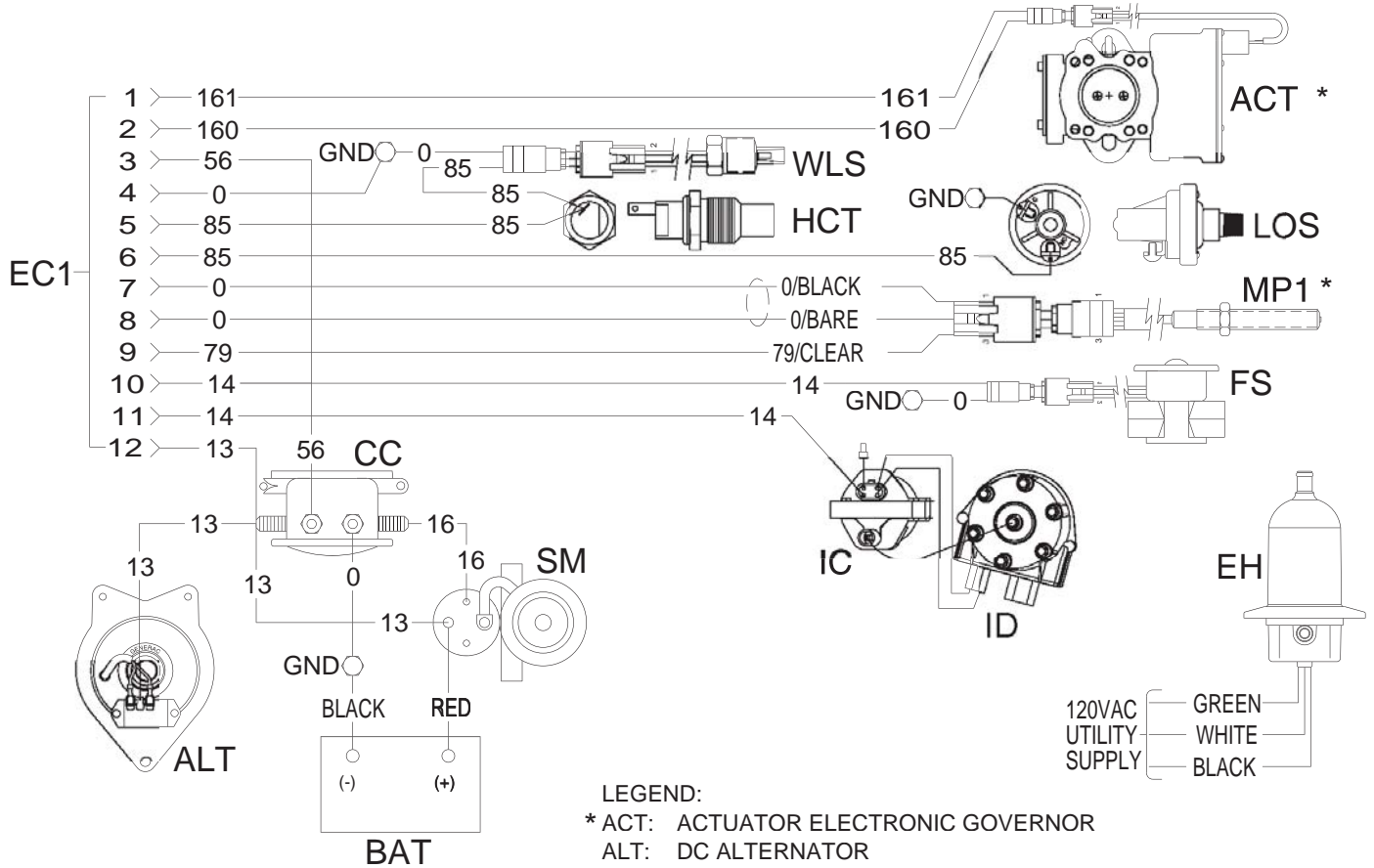
Section 6 – Electrical Data

(Model No. 0046262, 0046263 & 0046264) Guardian Liquid-cooled 40 kW Generators Wiring Diagram - Control Panel - Drawing No. 0D6974



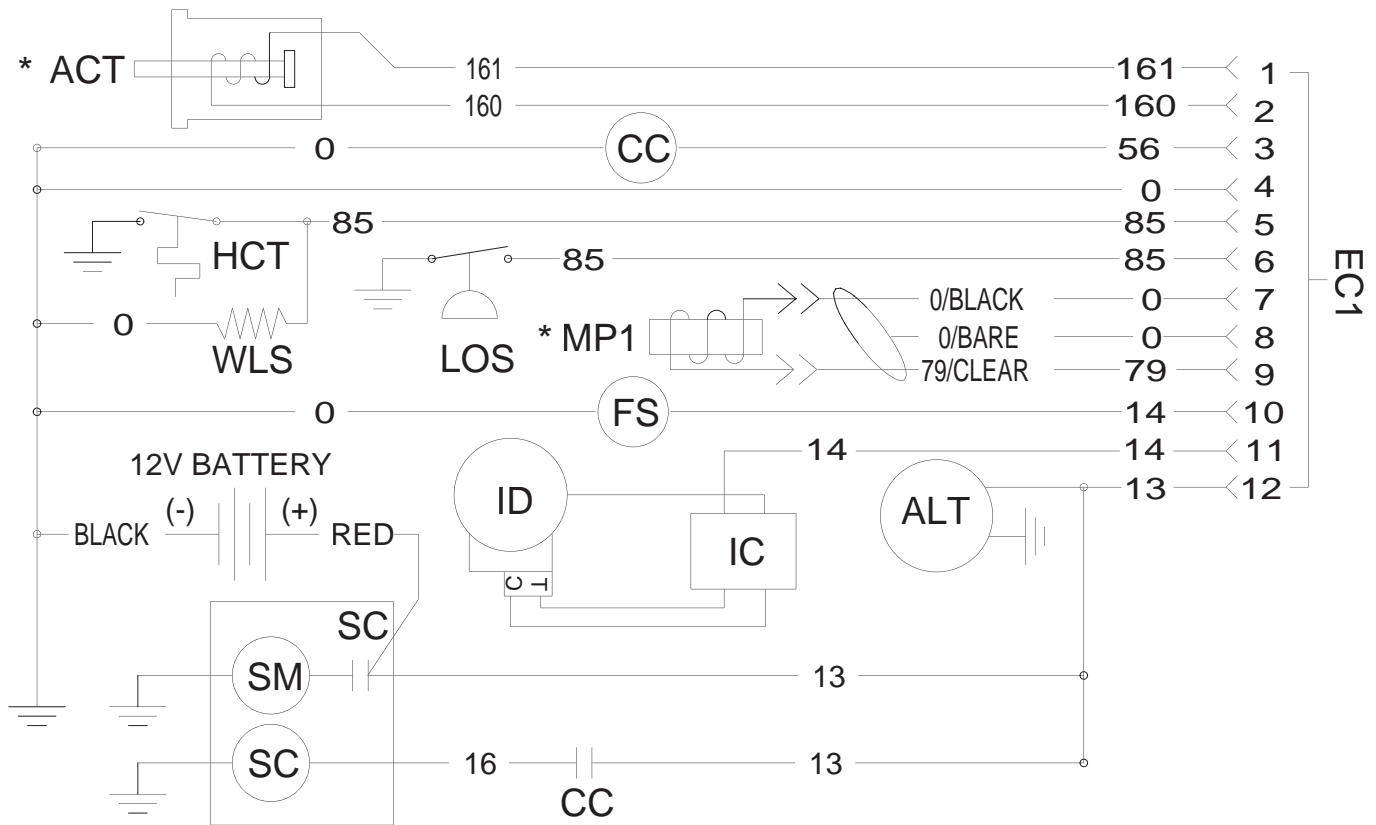
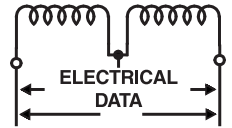


Section 6 – Electrical Data
Guardian Liquid-cooled 40 kW Generators
Wiring Diagram - Drawing No. 0E2966



* ONLY USED ON EMISSIONS MODELS

Section 6 – Electrical Data
Guardian Liquid-cooled 40 kW Generators
Wiring Diagram - Drawing No. 0E2967

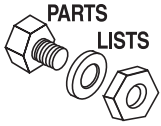


LEGEND:

- * ACT: ACTUATOR ELECTRONIC GOVERNOR
- ALT: DC ALTERNATOR
- CC: CONTROL CONTACTOR
- EC1: ENGINE CONNECTOR 1(BLACK)
- EH: ENGINE HEATER
- FS: FUEL SOLENOID
- HCT: COOLANT HIGH TEMP. SWITCH
- IC: IGNITION COIL
- ID: IGNITION DISTRIBUTOR
- LOS: LOW OIL PRESSURE SWITCH
- * MP1: MAGNETIC PICKUP 1
- SC: STARTER CONTACTOR
- SM: STARTER MOTOR
- WLS: WATER LEVEL SENSOR

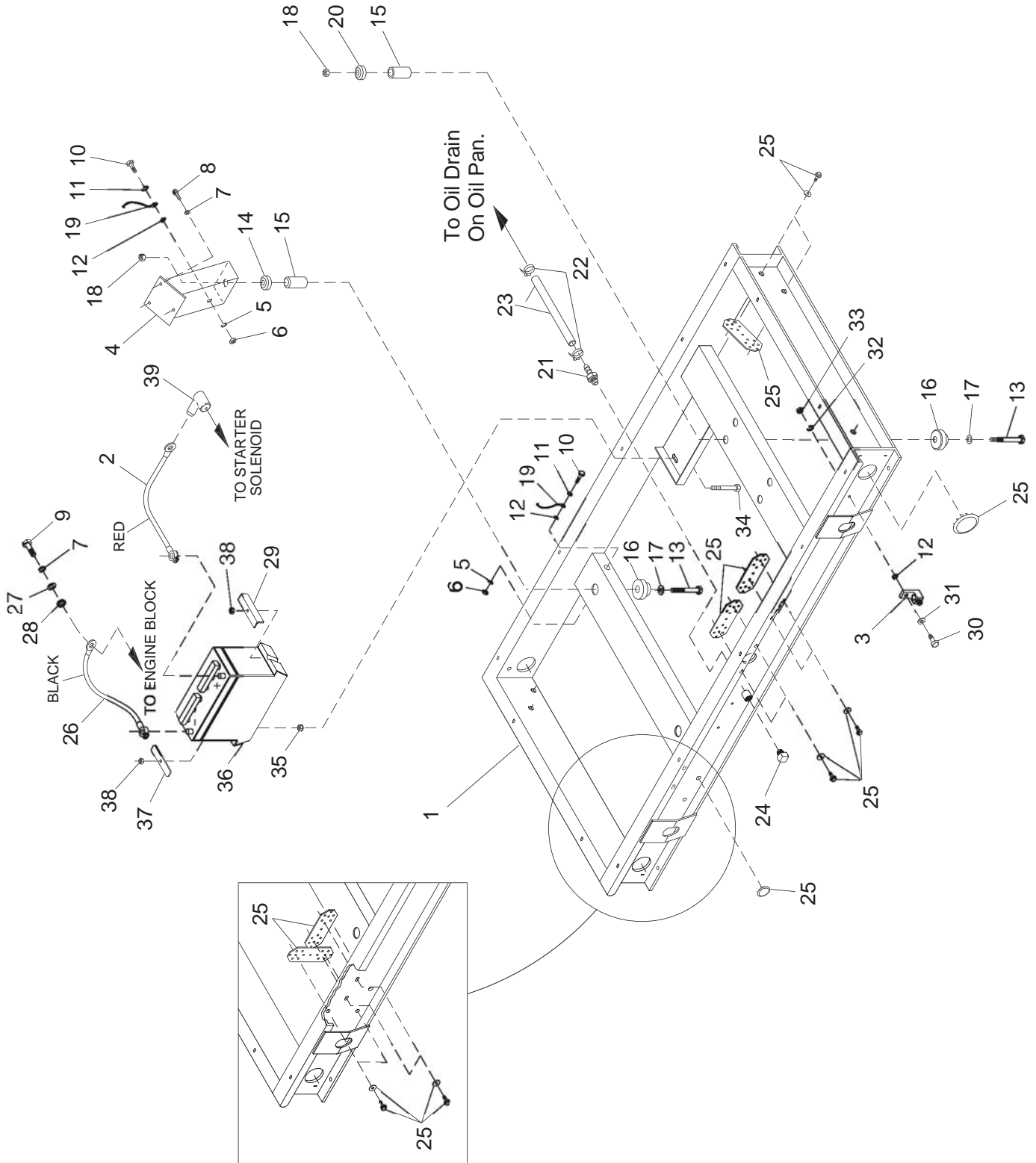


* ONLY USED ON EMISSIONS MODELS



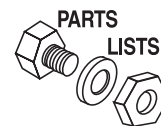
Section 7 – Exploded Views and Parts Lists

Guardian Liquid-cooled 40 kW Generators
Mounting Base - Drawing No. 0E2384-A

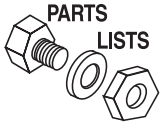


Section 7 – Exploded Views and Parts Lists

Guardian Liquid-cooled 40 kW Generators Mounting Base - Drawing No. 0E2384-A

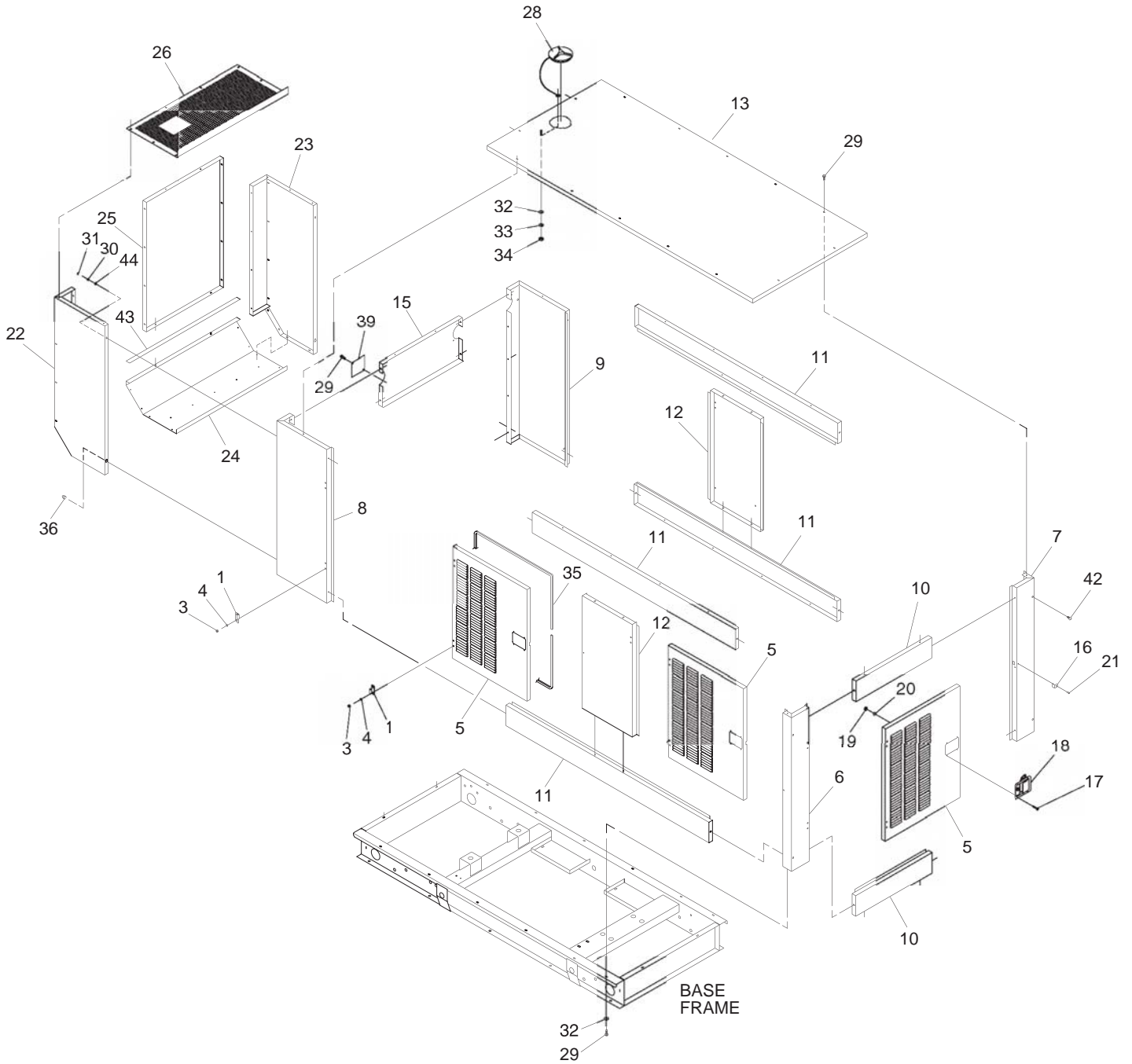


ITEM	PART NO.	QTY.	DESCRIPTION
1	0C3250	1	ASSEMBLY BASE MOUNTING (DIRECT-COUPLED)
2	038804T	1	CABLE BATT RED #1 X 31.00
3	055414	1	LUG SLDLSS #2-#8 X 17/64 CU
4	0A4084	2	MOUNT ENGINE (R&L)
5	022129	2	WASHER LOCK M8-5/16
6	045771	2	NUT HEX M8-1.25 G8 YEL CHR
7	022237	7	WASHER LOCK 3/8
8	029745	6	SCREW HHC 3/8-16 X 1 G5
9	023152	1	SCREW HHC 3/8-16 X 3/4 G5
10	043107	2	SCREW HHC M8-1.25 X 25 G8.8
11	022145	2	WASHER FLAT 5/16 ZINC
12	027482	3	WASHER SHAKEPROOF EXT 5/16 STL
13	055597	4	SCREW HHC M12-1.75 X 85 G8.8
14	052251	2	DAMPENER VIBRATION 40 BLUE
15	052257	4	SPACER .49 X .62 X 1.87 PWDR/ZINC
16	052252	4	DAMPENER VIBRATION
17	052259	4	WASHER FLAT M12
18	052860	4	NUT LOCKING M12-1.75
19	0536210098	1	ASSEMBLY GROUNDWIRE 10"/3/8
20	052251A	2	DAMPENER VIBRATION 50 WHITE
21	044118	1	BARBED STRAIGHT 1/2 NPT X 5/8
22	057823	2	CLAMP HOSE #10 .56 - 1.06
23	057448	1	HOSE 5/8 ID TYPE 3 SINGLE (11"LG)
24	024310	1	PLUG STD PIPE 1/2 STEEL SQ HD
25	0D4239	1	KIT VARMIT GUARD (FOR N/G, L/P VAPOR OR DUAL FUEL, N/G-LP LIQUID UNITS)
	0D4239A	1	KIT VARMIT GUARD (FOR L/P LIQUID UNITS)
	0D4239B	1	KIT VARMIT GUARD (FOR DUAL FUEL N/G-L/P VAPOR UNITS)
26	038805H	1	CABLE BATT BLK #1 X 23.00
27	022131	1	WASHER FLAT 3/8-M10 ZINC
28	025507	1	WASHER SHAKEPROOF EXT 7/16 STL
29	061902	1	HOLD DOWN BATTERY
30	022413	1	SCREW HHC 1/4-20 X 1 G5
31	022473	1	WASHER FLAT 1/4 ZINC
32	022097	1	WASHER LOCK M6-1/4
33	022127	1	NUT HEX 1/4-20 STEEL
34	0A4010	2	SCREW HHC M8-1.25 X 60 G8.8 FT
35	052858	2	NUT LOCK FL M8-1.25
36	058665	1	BATT 12VDC 90-AH 27F
37	059473	1	HOLD DOWN BATTERY
38	049820	2	NUT LOCK HEX M8-1.25 NYL INSRT
39	075763	1	BOOT BATTERY CABLE



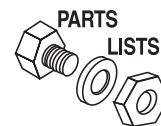
Section 7 – Exploded Views and Parts Lists

Guardian Liquid-cooled 40 kW Generators
Compartment - Drawing No. 0D8992



Section 7 – Exploded Views and Parts Lists

Guardian Liquid-cooled 40 kW Generators Compartment - Drawing No. 0D8992

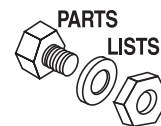


ITEM	PART NO.	QTY.	DESCRIPTION
1	0C3594	10	ASSEMBLY M6 HINGE
3	0A3359	40	SCREW BHSC M6-1.0 X 16 SS
4	0A3360	40	SHAKEPROOF INT M6 SS
5	0C2522 (A)	5	DOOR SMALL STD. WELD
6	0C2527 (A)	1	CORNER POST LH REAR
7	0C2528 (A)	1	CORNER POST RH REAR
8	0C2535 (A)	1	CORNER POST LH FRONT
9	0C2536 (A)	1	CORNER POST RH FRONT
10	0C2547 (A)	2	REAR BRACE TOP & BOTTOM
11	0C2550 (A)	4	SIDE BRACE TOP & BOTTOM
12	0C2555 (A)	2	SIDE SUPPORT
13	0C2560 (A)	1	ROOF ONE-PIECE WLDMT
15	0D7904 (A)	1	FRONT BRACE TOP
16	0C2633	5	PLATE STRIKER
17	0C6749	20	SCREW PPHM M4-0.7 X 12 SS
18	060069	5	PADDLE HANDLE LOCK
19	0C6748	20	NUT LOCK HEX M4-0.7 SS NYL INS
20	080490	20	WASHER FLAT #8 SS
21	087233	5	RIVET POP 3/16 X 1/4
22	0C4065 (A)	1	DUCT FRONT LH
23	0C4064 (A)	1	DUCT FRONT RH
24	0C4066 (A)	1	DUCT BOTTOM
25	0C4067 (A)	1	DUCT FRONT PANEL
26	0C4117 (A)	1	DUCT FRONT TOP RH
28	0C2634A	1	ASSEMBLY COVER ACCESS
29	0C2454	76	SCREW TH-FRM M6-1X16 N WA Z/JS
30	022129	2	WASHER LOCK M8-5/16
31	042907	2	SCREW HHC M8-1.25 X 16 G8.8
32	022473	15	WASHER FLAT M6-1/4 ZINC
33	022097	1	WASHER LOCK M6-1/4
34	022127	1	NUT HEX 1/4-20 STEEL
35	0A9881	49.1 FT.	GASKET DOOR RUBBER
36	0C3393	2	SCREW SHOULDER
39	0C3400 (A)	1	COVER EXHAUST HOLE
42	0C3397	4	FASTENER RATCHET
43	066760	39-3/8"	STRIP SEALANT 1/8 X 1
44	022145	2	WASHER FLAT 5/16 ZINC

OPTIONAL COMPARTMENT MATERIALS:ALL P/N'S WITH AN "A" SUFFIX INDICATEALUMINUM MATERIAL OPTION.

Section 7 – Exploded Views and Parts Lists

**(Model No. 0043733, 0043734 & 0043735) Guardian Liquid-cooled 40 kW Generator
Control Panel 4.3L – Drawing No. 0D4995-F**

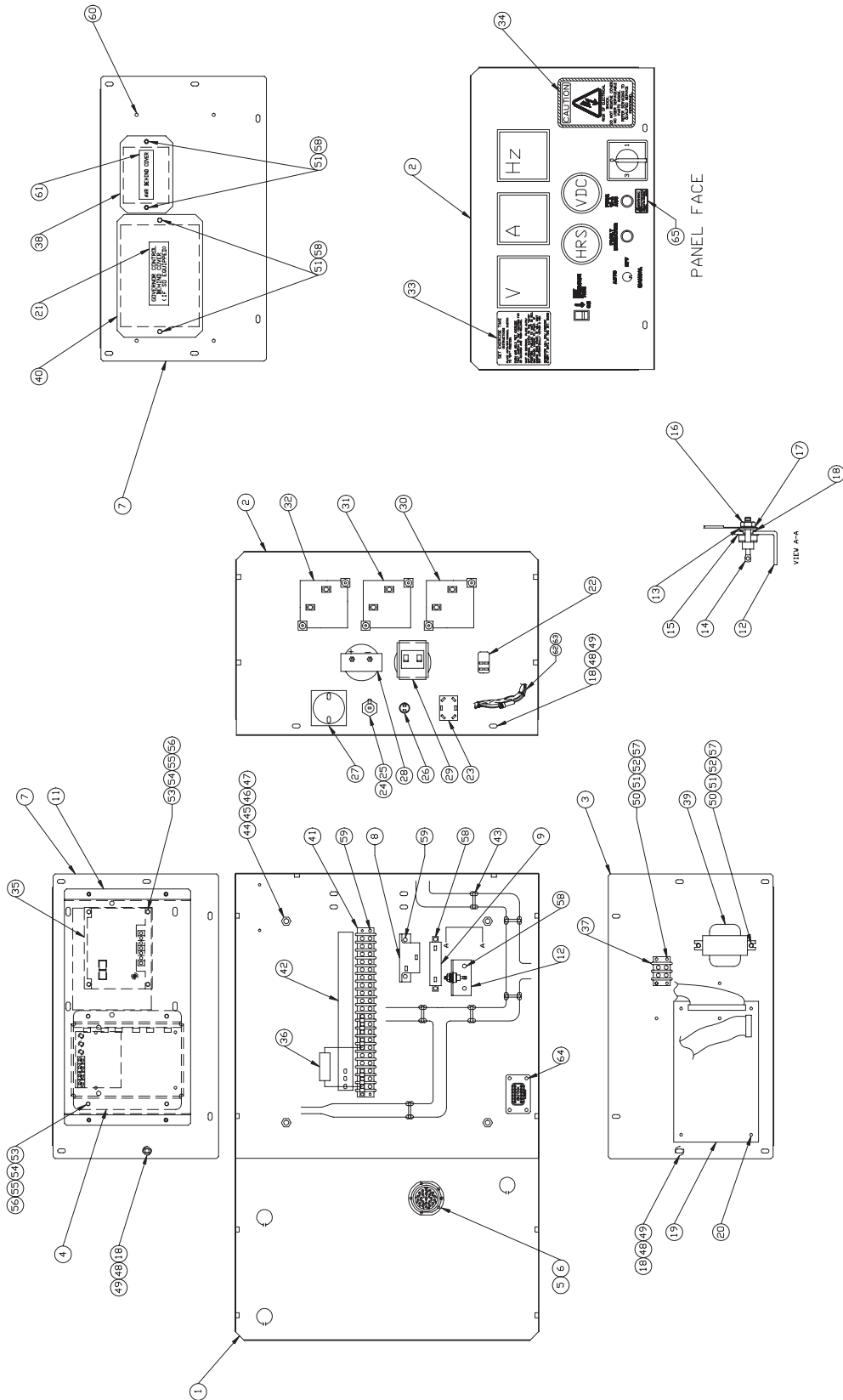


ITEM	PART NO.	QTY.	DESCRIPTION	ITEM	PART NO.	QTY.	DESCRIPTION
1	0D5488	1	PANEL BTM & BACK CONTROL	32	070042	1	FREQUENCY METER 240V 55-65HZ
			PANEL	33	081988	1	DECAL EXERCISE INFO
2	0D1521A	1	CONTROL PANEL, FRONT W/ SILK	34	0C1229	1	DECAL CUST CONN BOX
			SCREEN	35	098647	REF.	ASSY L.C. ELECT GOV
3	0D1522	2	PANEL,SIDE COVER CONTROL	36	0A3968	1	CAPACITOR FILTER ASY
			PANEL	37	048766	REF	BLOCK TERM 20A 2 X 6 X 1100V
4	067680	1	ASSY VOLTAGE REGULATOR 60HZ	39	083264	1	TFMR ASM,CMA 240/12V
5	0C8243	1	WASHER LOCK HDPDEUTSCH	41	057335	REF	BLOCK TERM 20A 20 X 6 X 1100V
6	0C8244	1	NUT, HDP DEUTSCH	42	076061	1	DECAL, TERM. STRIP
8	048467	1	CIRCT BRK 7 X 1 ETA 46-500-P	43	029333	6	TIE WRAP 7.4" X .19" NATL UL
9	057907	1	RES WW LUG 10R 10% 25W	45	040479	4	VIB MNT 1.0 X 1.0 X 1/4-20
10	064008	1	COVER CON PNL TOP (NOT SHOWN)	46	022507	4	SCREW HHC 1/4-20 X 1/2 G5
12	055444	1	HEATSINK	47	022127	4	NUT HEX 1/4-20 STEEL
13	030468	1	WASHER STEP NYLON .20	48	022097	4	WASHER LOCK M6-1/4
14	049939	1	RECTIFIER MSC 12A 600V 1N1206R	49	033121	14	SCREW HHC #10-32 X 1/2
15	070370	1	WASHER MICA .203	50	022152	14	WASHER LOCK #10
16	022158	1	NUT HEX #10-32 STEEL	51	036902	4	SCREW PPHM #6-32 X 1/2
17	023762	1	WASHER SHAKEPROOF EXT #10	52	022155	6	WASHER LOCK #6
			STL	53	022985	6	WASHER FLAT #6 ZINC
18	023897	15	WASHER FLAT #10 ZINC	54	036918	4	SCREW PPHM #8-32 X 1/2
19	076009A	1	PP LOGIC ASM 50/60HZ	55	022264	4	WASHER LOCK M4
20	040213	4	PCB SUPPORT SNAP-IN 1/4"	56	038150	4	WASHER FLAT #8 ZINC
21	027744	1	GROMMET 3/4 X 5/32 X 5/16	57	022471	4	NUT HEX #8-32 STEEL
22	082573	1	SWITCH ROCKER DPST 125V SPD	58	022188	6	NUT HEX #6-32 STEEL
23	076020	1	SWITCH TOG DPDT 15/10 SP	59	036908	2	SCREW PPHM #6-32 X 1-1/4
24	032300	1	HOLDER FUSE	60	0C2428	4	SCREW PHTT #6-32 X 1/2 ZYC
25	022676	1	FUSE 15A X AGC15	61	0C2323	4	SCREW PHTT #6-32 X 5/8 ZYC
26	064009	1	LIGHT 12VDC .02A LED RED PILOT	62*	0D5324	REF.	FUSE & HOLDER LITTEL 7.5A
27	061945	1	SWITCH SELECTOR 6A AMP/V	63*	0A9611	REF.	FUSE 7.5AXBK/AGC7.5NX W/22670
28	076037	1	VOLTMETER DC 8-18V	64	074908	1	SCREW HHTT M5-0.8 X 10 BP
29	070081	1	HOURMETER	65	0E3783	1	DECAL, WARNING REMOVE FUSE
30	070043	1	VOLTMETER AC 0-300				
31	070045	1	AMMETER AC 0-200				

* PART OF CONTROL PANEL WIRE HARNESS

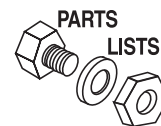
Section 7 – Exploded Views and Parts Lists

(Model No. 0046262, 0046263 & 0046264) Guardian Liquid-cooled 40 kW Generator Control Panel – Drawing No. 0D6978-C



Section 7 – Exploded Views and Parts Lists

**(Model No. 0046262, 0046263 & 0046264) Guardian Liquid-cooled 40 kW Generator
Control Panel – Drawing No. 0D6978-C**

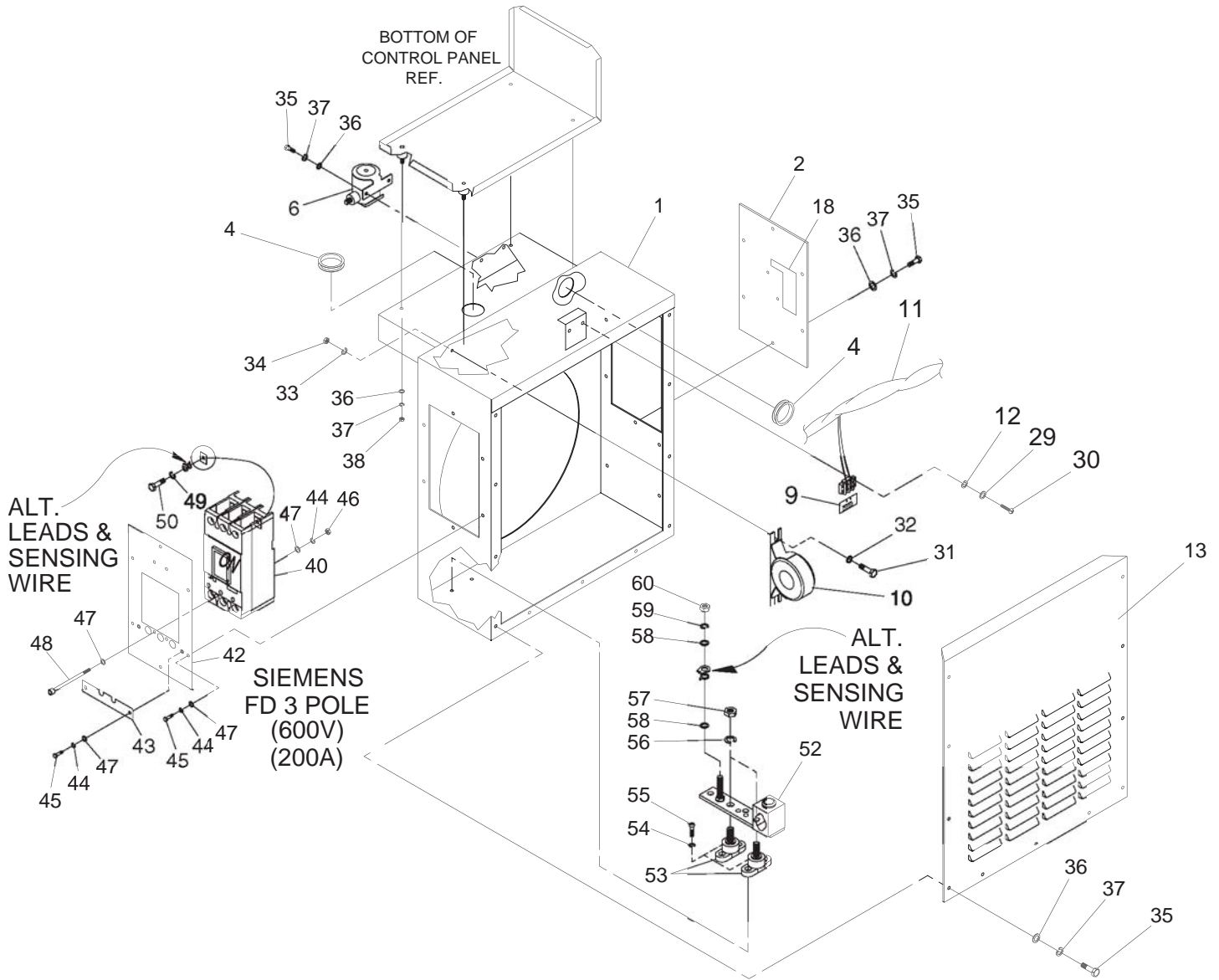


ITEM	PART NO.	QTY.	DESCRIPTION	ITEM	PART NO.	QTY.	DESCRIPTION
1	0D7397	1	PNL BTM & BACK CNTL PNL 04626	33	081988	1	DECAL EXERCISE INFO
2	0D1521A	1	CONTROL PANEL FRONT W/ SILK SCREEN	34	0C1229	1	DECAL CUST CONN BOX
3	0D1522	1	PANEL SIDE COVER CONTROL PANEL	35	0D3440	1	CONTROLLER, B-C #DPG-2103
4	067680	1	ASSY VOLTAGE REGULATOR 60HZ	36	0A3968	1	CAPACITOR FILTER ASY
5	0C8243	1	WASHER LOCK HDP DEUTSCH	37	048766	REF	BLOCK TERM 20A 2 X 6 X 1100V
6	0C8244	1	NUT, HDP DEUTSCH	38	0A1441B	1	COVER PLATE AVR
7	0A6321	1	PANEL LEFT SIDE E	39	083264	1	TFMR ASM,CMA 240/12V
8	048467	1	CIRCT BRK 7 X 1 ETA 46-500-P	40	0A1441C	1	COVER PLATE EGOV
9	057907	1	RES WW LUG 10R 10% 25W	41	057335	REF	BLOCK TERM 20A 20 X 6 X 1100V
10	064008	1	COVER CON PNL TOP (NOT SHOWN)	42	076061	1	DECAL TERM. STRIP
11	0E3550	1	CHASSIS, UNIVERSAL	43	029333	6	TIE WRAP 7.4" X .19" NATL UL
12	055444	1	HEATSINK	44	040479	4	VIB MNT 1.0 X 1.0 X 1/4-20
13	030468	1	WASHER STEP NYLON .20	45	022507	4	SCREW HHC 1/4-20 X 1/2 G5
14	049939	1	RECTIFIER MSC 12A 600V 1N1206R	46	022127	4	NUT HEX 1/4-20 STEEL
15	070370	1	WASHER MICA .203	47	022097	4	WASHER LOCK M6-1/4
16	022158	1	NUT HEX #10-32 STEEL	48	033121	14	SCREW HHC #10-32 X 1/2
17	023762	1	WASHER SHAKEPROOF EXT #10 STL	49	022152	14	WASHER LOCK #10
18	023897	15	WASHER FLAT #10 ZINC	50	036902	4	SCREW PPHM #6-32 X 1/2
19	076009A	1	PP LOGIC ASM 50/60HZ	51	022155	6	WASHER LOCK #6
20	040213	4	PCB SUPPORT SNAP-IN 1/4"	52	022985	8	WASHER FLAT #6 ZINC
21	0A3394	1	GROMMET 3/4 X 5/32 X 5/16	53	036918	8	SCREW PPHM #8-32 X 1/2
22	082573	1	SWITCH ROCKER DPST 125V SPD	54	022264	8	WASHER LOCK M4
23	076020	1	SWITCH TOG DPDT 15/10 SP	55	038150	8	WASHER FLAT #8 ZINC
24	032300	1	HOLDER FUSE	56	022471	8	NUT HEX #8-32 STEEL
25	022676	1	FUSE 15A X AGC15	57	022188	6	NUT HEX #6-32 STEEL
26	064009	1	LIGHT 12VDC .02A LED RED PILOT	58	0C2428	8	SCREW PHTT #6-32 X 1/2 ZYC
27	061945	1	SWITCH SELECTOR 6A AMP/V	59	0C2323	4	SCREW PHTT #6-32 X 5/8 ZYC
28	076037	1	VOLTMETER DC 8-18V	60	0A2284	4	SCREW SWAGE 8-32 X 1/2 Z/YC
29	070081	1	HOURMETER	61	0C1127	1	DECAL AVR COVER
30	070043	1	VOLTMETER AC 0-300	62*	0D5324	4	FUSE & HOLDER LITTEL 7.5A
31	070045	1	AMMETER AC 0-200	63*	0A9611	1	FUSE 7.5AXBK/AGC7.5NX W/22670
32	070042	1	FREQUENCY METER 240V 55-65HZ	64	074908	4	SCREW HHTT M5-0.8 X 10 BP
				65	0E3783	1	DECAL, WARNING REMOVE FUSE

* PART OF CONTROL PANEL WIRE HARNESS

Section 7 – Exploded Views and Parts Lists

**Guardian Liquid-cooled 40 kW Generators
Connection Box – Drawing No. 0D8848-B**

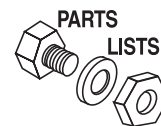


**RECOMMENDED TERMINAL TIGHTENING TORQUES
FOR CIRCUIT BREAKER AND NEUTRAL BLOCK**

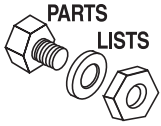
ITEM #	DESCRIPTION	RING TERMINALS FROM ALTERNATOR	FASTEN COMPRESSION LUG TO CIRCUIT BREAKER	STRIPPED END OF STRANDED CABLE TO COMPRESSION LUG
40	CIRCUIT BREAKER LINE SIDE	30 FT-LB	NA	NA
40	CIRCUIT BREAKER LOAD SIDE	NA	12.5 FT-LB	23 FT-LB
52	NEUTRAL BLOCK	19 FT-LB	NA	23 FT-LB

Section 7 — Exploded Views and Parts Lists

Guardian Liquid-cooled 40 kW Generators Connection Box – Drawing No. 0D8848-B

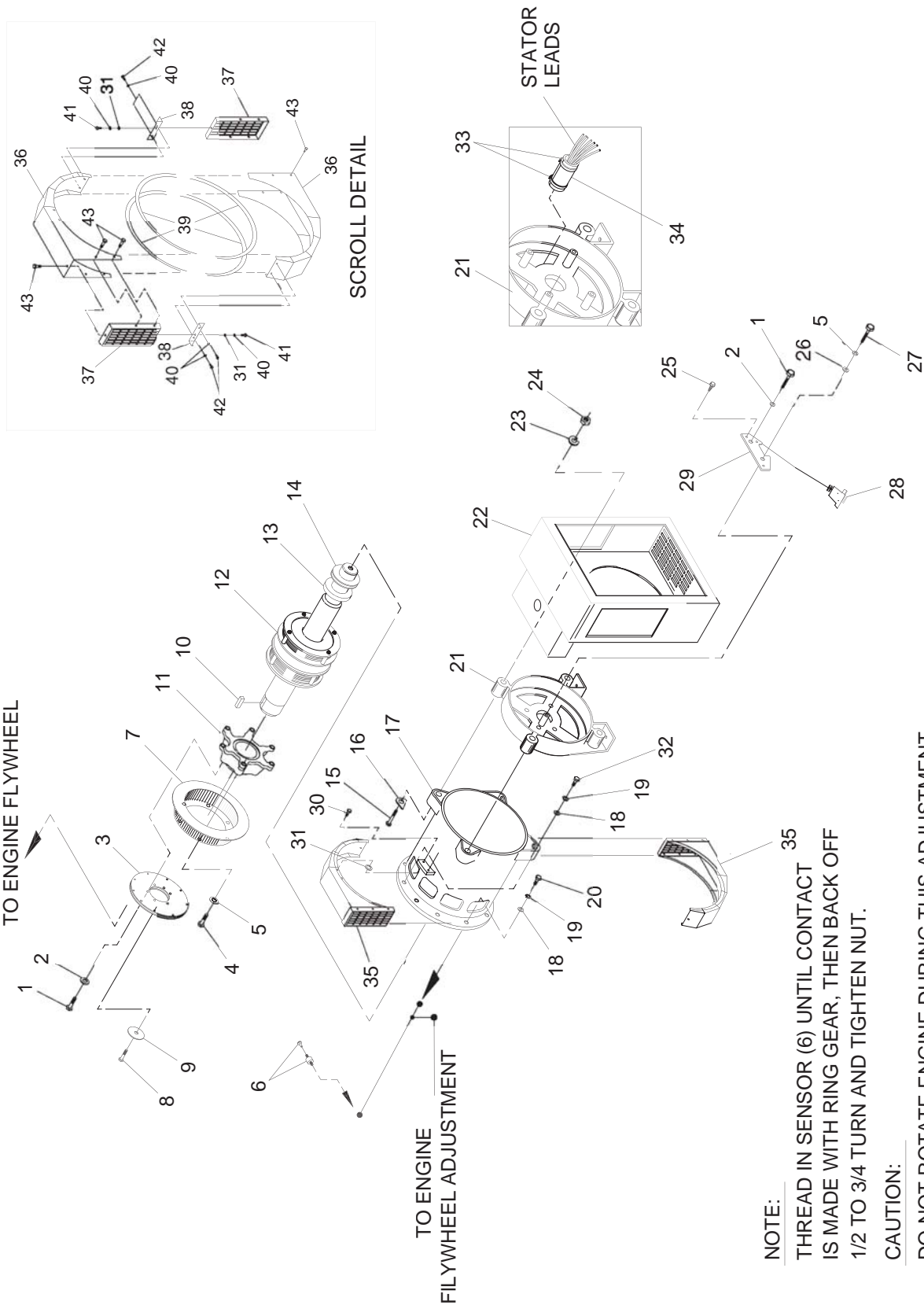


ITEM	PART NO.	QTY.	DESCRIPTION
1	068115	1	LOWER PANEL 15
2	0D5489	1	COVER LOWER CONNECTION BOX
4	023484N	2	BUSHING SNAP SB-2.5-31
6	056739	1	RELAY SOLENOID 12VDC PNL MNT
9	0D3388	1	DECAL REMOTE START CONNECTION
10	058710	2	TRANSFORMER 200A TO 5A 5VA
11	0D5492	1	HARNESS LOWER PANEL 4.3L GRDN
	(048766)	REF.	BLOCK TERM 20A 2 X 6 X 1100V
12	022985	2	WASHER FLAT #6 ZINC
13	068116	1	COVER LOWER PANEL 15
18	0D5840	1	DECAL CUSTOMER CONNECTN FOR TS
29	022264	2	WASHER LOCK M4
30	0C2212	2	SCREW PHTT M4-0.7 X 16 ZYC
31	022142	4	SCREW HHC 5/16-18 X 3/4 G5
32	022145	4	WASHER FLAT 5/16 ZINC
33	022129	4	WASHER LOCK M8-5/16
34	045771	4	NUT HEX M8-1.25 G8 YEL CHR
35	022287	19	SCREW HHC 1/4-20 X 3/4 G5
36	022473	23	WASHER FLAT 1/4 ZINC
37	022097	23	WASHER LOCK M6-1/4
38	022127	4	NUT HEX 1/4-20 STEEL
40	0D5574	1	CB 0200A 3P 600V S FD6 LL
42	0D5689	1	PLATE CB MOUNT S (FD) 390S
43	0D5693	1	COVER CB TERMINALS S (FD 3P)
44	022097	12	WASHER LOCK M6-1/4
45	022287	8	SCREW HHC 1/4-20 X 3/4 G5
46	022127	12	NUT HEX 1/4-20 STEEL
47	022473	4	WASHER FLAT 1/4 ZINC
48	081320	4	SCREW SHC 1/4-20 X 4.5 G8.8 NZ
49	022237	3	WASHER LOCK 3/8
50	048527	3	SCREW SHC 3/8-16 X 3/4 G5
52	0D5464B	1	NEUTRAL BLOCK 390/200-400A
53	057073	2	JUNCTION BLOCK 3/8-16
54	022152	4	WASHER LOCK #10
55	033530	4	SCREW PHM #10-32 X 5/8 CAD
56	022237	2	WASHER LOCK 3/8
57	022241	2	NUT HEX 3/8-16 STEEL
58	022145	2	WASHER FLAT 5/16 ZINC
59	022129	1	WASHER LOCK M8-5/16
60	045771	1	NUT HEX M8-1.25 G8 YEL CHR



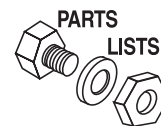
Section 7 – Exploded Views and Parts Lists

Guardian Liquid-cooled 40 kW Generators
Generator – Drawing No. 0D9490



Section 7 – Exploded Views and Parts Lists

Guardian Liquid-cooled 40 kW Generators Generator – Drawing No. 0D9490

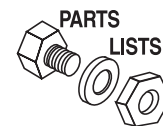


ITEM	PART NO.	QTY.	DESCRIPTION
1	051768	7	SCREW HHC M12-1.75 X 25 G8.8
2	051769	7	WASHER LOCK M12
3	0A8240	2	FLEX PLATE SAE10
4	039253	6	SCREW HHC M8-1.25 X 20 G8.8
5	022129	7	WASHER LOCK M8-5/16
6	082130D	1	ASSEMBLY MAG PICKUP 72"
7	0C4286	1	ASSEMBLY FAN W/PRESS DISC 10.75 X 3
8 *	0A2601	1	SCREW HHC M16-2.0 X 45 G8.8
9 *	0A2602	1	WASHER FLAT .688 ID X 3.25 OD
10 *	0A1138	1	KEY SQ 3/8 X 2-1/2 STEEL
11 *	021941	1	COUPLER 390 SAE
12	020808A	1	ROTOR 390 40 1P DIRECT
13 *	052624	1	BEARING BALL 6212 SEALED
14 *	070892	1	SLIP RING -MACHINED-
15	0A5580	4	SCREW HHC M14-2.0 X 140 G8.8
16	0A1633	4	WASHER 390 SAE ALT.
17	020729A	1	STATOR 390 40 AD2 SAE
18	022131	12	WASHER FLAT 3/8-M10 ZINC
19	022237	11	WASHER LOCK 3/8
20	022511	11	SCREW HHC 3/8-16 X 1-1/4 G5
21	068113	1	CARRIER REAR BEARING 15"
22	068115	1	LOWER PANEL 15
23	043123	4	WASHER LOCK M14
24	051779	4	NUT HEX M14-2.0 G8 YEL CHR
25	046852	1	SCREW HHTT #10-32 X 1/4 CZ
26	022145	1	WASHER FLAT 5/16 ZINC
27	039287	4	SCREW HHC M8-1.25 X 45 G8.8 FT
28	071641	1	BRUSH HOLDER ASSEMBLY
29	071639	1	HOLDER BRUSH SUPPORT
30	0A2110	2	SCREW SWAGE 1/4-20 X 1/2 Z/YC
31	022473	8	WASHER FLAT 1/4 ZINC
32	022746	1	SCREW HHC 3/8-16 X 1-3/4 G5
33	031980	2	TIE WRAP UL 14.6 X .14 NATL
34	083549	1	SLEEVE RUBBER
35	0A4089	1	ASSEMBLY SCROLL 390 SAE KIT 0A4089 PARTS
36	0A2491	2	SHROUD ALTERNATOR SHEET METAL
37	0A2497	2	SCREEN SHROUD SAE
38	0A2496	2	BRACKET TENSIONER SAE SCROLL
39	056326	8.4 FT	TRIM VINYL BLACK 1/8 GP
40	022097	6	WASHER LOCK M6-1/4
41	045757	2	SCREW HHC M6-1.0 X 25 G8.8
42	047411	4	SCREW HHC M6-1.0 X 16 G8.8
43	0A2110	12	SCREW SWAGE 1/4-20 X 1/2 Z/YC

* ROTOR REPLACEMENT PARTS

Section 7 – Exploded Views and Parts Lists

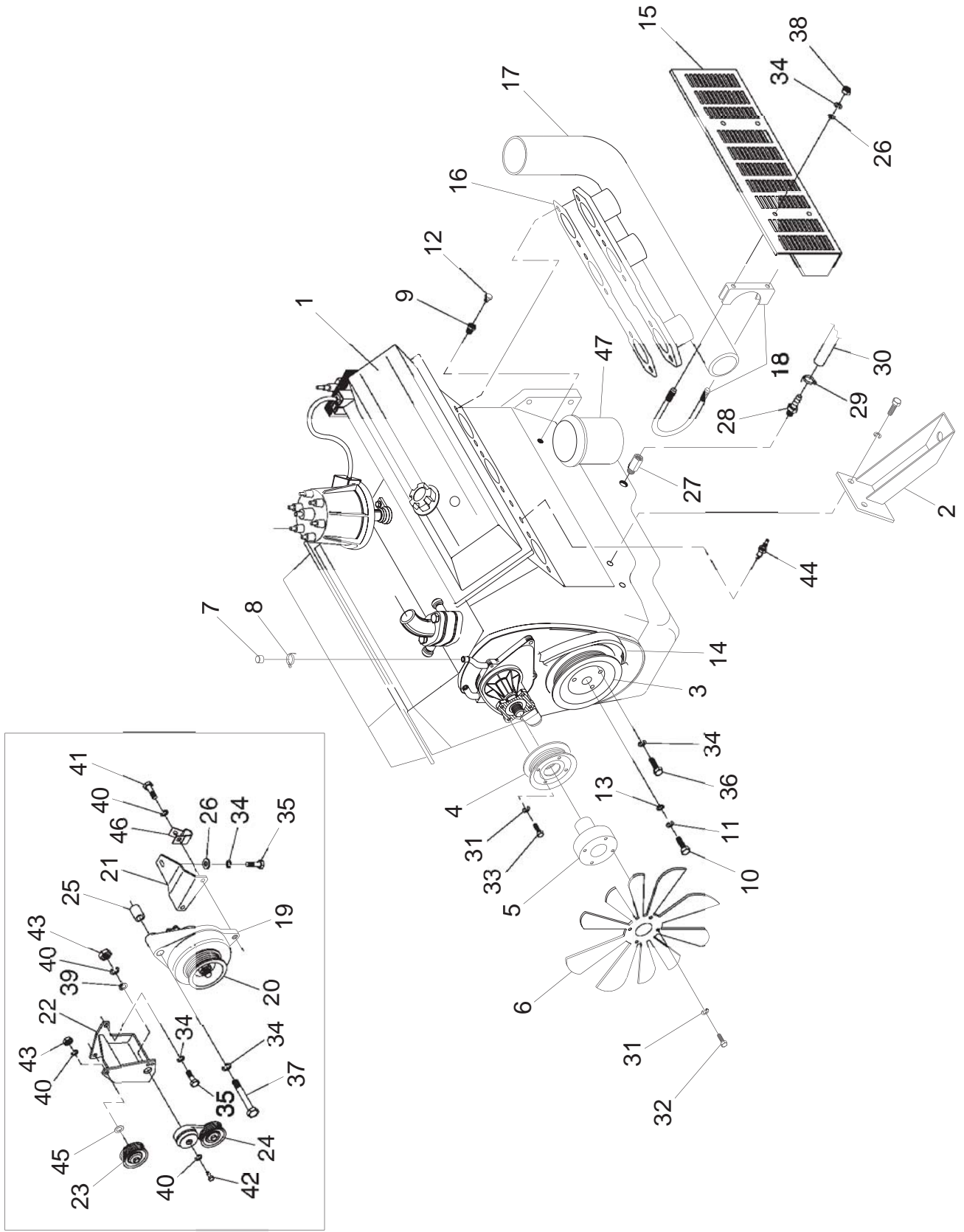
Guardian Liquid-cooled 40 kW Generators Engine – Drawing No. 0D6980-B



ITEM	PART NO.	QTY.	DESCRIPTION
1	0A9046	1	ENGINE 4.3L GM
2	0A9118A	1	FLYWHL 4.3L GM SAE
3	070022	1	WASHER STAR M12 EXT
4	0A6021	6	SCREW HHC 7/16-20 X 1 G8
6	059056A	1	STARTER 5.7L/7.4L GM
8	0A9050	2	BOLT STARTER 4.3L
9	022237	17	WASHER LOCK 3/8
10	045772	1	NUT HEX M10-1.5 G8 YEL CHR
11	049226	1	WASHER LOCK M5
12	051716	1	NUT HEX M5-0.8 G8 YEL CHR
13	0A4244	1	CONNECTOR COIL TO DISTRIBUTOR
14	0A4215	1	DIP STICK 4.3L GM
15	0A4231	1	TUBE DIP STICK 4.3L
16	059057	10"	HOSE 3/4 ID SAE-30R2
17	0A2440	2	GASKET THERMOSET
18	026568	2	SCREW HHC 3/8-16 X 2-3/4 G5
19	099729A	1	HOUSING THERM IMPREX
20	061012	1	PLUG STD PIPE 1/8 SOCKET HEAD
21	069939	1	HOUSING THERMOSTAT/WATER INLET
22	035606	1	SENSOR HI COOLANT SHUTDOWN
23	0A4930B	1	HEAT SHIELD RIGHT
24	0A4084	1	MOUNT ENGINE
25	029745	3	SCREW HHC 3/8-16 X 1 G5
26	044101	2	BRACKET SUPPORT SPARK PLUG WIRE
27	023152	2	SCREW HHC 3/8-16 X 3/4 G5
28	022131	2	WASHER FLAT 3/8-M10 ZINC
29	058030	2	RETAINER PLUG WIRES
30	0A4085	1	GASKET EXHAUST MANIFOLD
31	0A3928	1	MANIFOLD RIGHT EXHAUST
32	0C7947	2	BOLT U 3/8-16 X 2.50
33	057794	2	RETAINER SPARK PLUG WIRES
34	0A4277	1	WIRES SPARK PLUG 4.3L
35	022241	4	NUT HEX 3/8-16 STEEL
36	057795	1	CONNECTOR C/C VENT
37	048191	2	PIN DOWEL M10 X 24
38	032303	6	SCREW HHC 3/8-16 X 3-1/2 G5
39	0A3852	3	PLATE FLEX GM
40	098239	1	CASTING ADAPTOR
41	057522	1	SENSOR COOLANT LEVEL
42	0D2244M	1	ASSY MAGPICKUP (3/8-24 MALE) (MODEL 004626 ONLY)
43	075885	1	THERMOSTAT 195 DEG
*	0D6979	1	40KW GUARDIAN WIRE HARNESS (NOT SHOWN FOR MOD. 004626-0)
*	0A4308	1	HARNESS 4.3L STD WIRE (NOT SHOWN FOR MOD. 004373-1)

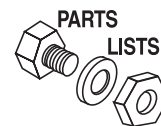
Section 7 – Exploded Views and Parts Lists

Guardian Liquid-cooled 40 kW Generators
Engine – Drawing No. 0A4304-L

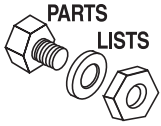


Section 7 – Exploded Views and Parts Lists

Guardian Liquid-cooled 40 kW Generators Engine – Drawing No. 0A4304-L

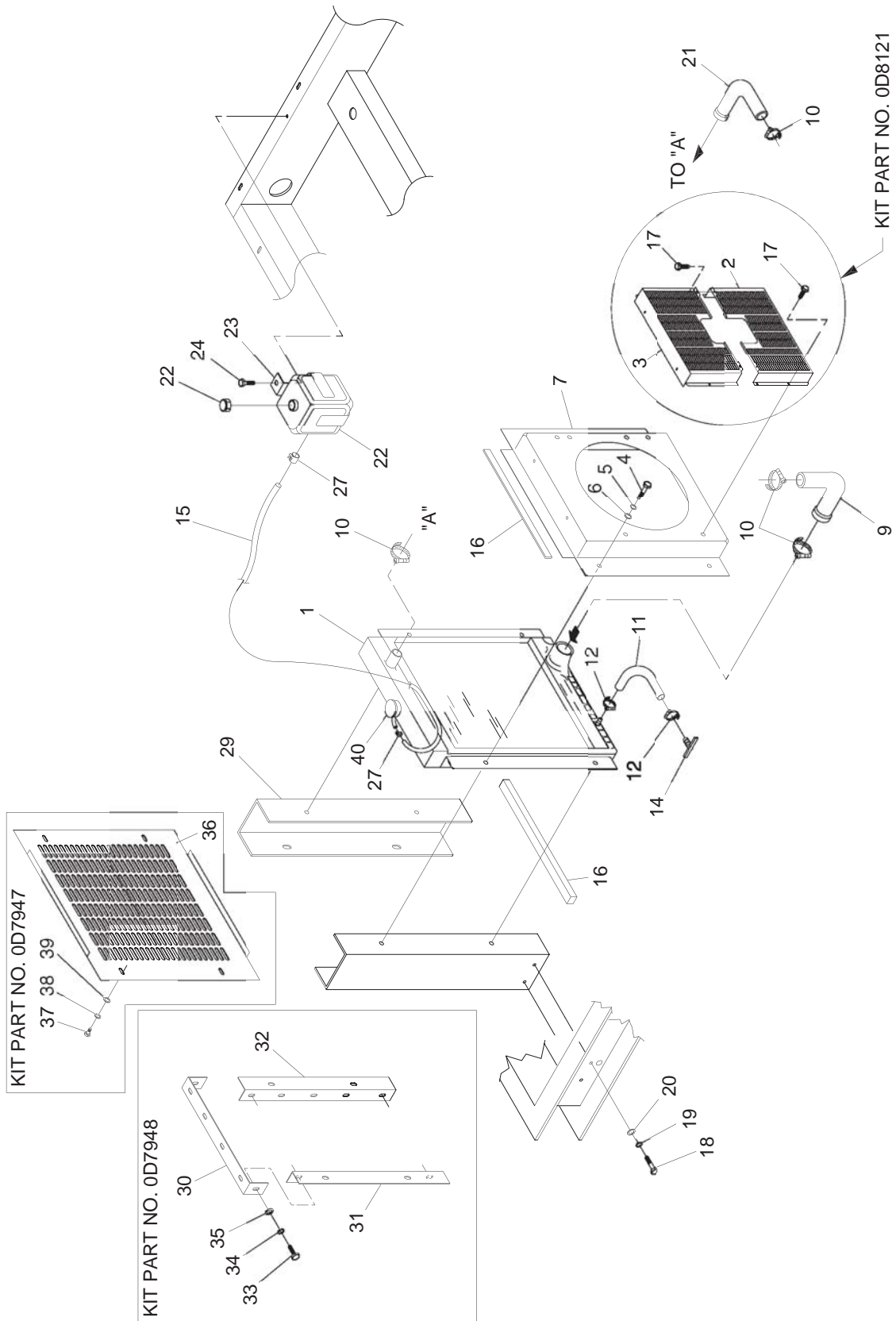


ITEM	PART NO.	QTY.	DESCRIPTION
1	0A9046	1	ENGINE 4.3L GM
2	0A4084	2	MOUNT, ENGINE (R & L)
3	0A4239	1	PULLEY CRANKSHAFT
4	0A4240	1	PULLEY WATER PUMP
5	0A5640	1	SPACER FAN 50MM 4.3L (35KW UNITS ONLY)
	0A5640A	1	SPACER FAN 62MM (45KW UNITS ONLY)
6	0A5639	1	FAN 17" REVRS ROT (35KW UNITS ONLY)
	0D3293A	1	FAN COOLING 22" DIA REVRS ROT (45KW UNITS ONLY)
7	077996	1	CAP HOSE
8	057823	1	CLAMP HOSE #10 .56 - 1.06
9	035579	1	BUSHING REDUCER 1/4 TO 1/8
10	037065	1	SCREW HHC 7/16-20 X 2-1/4 G5
11	022302	1	WASHER LOCK 7/16
12	0A8584	1	SWITCH OIL PRESSURE
13	052644	1	SPACER .5 X 1.5 X .25 STL/ZINC
14	0A4278A	1	BELT SERPENTINE 72.5"
15	0A4930A	1	HEAT SHIELD LEFT
16	0A4085	1	GASKET EXHAUST MANIFOLD
17	0A3927	1	MANIFOLD LEFT EXHAUST
18	0C7947	2	BOLT U 3/8-16 X 2.50
19	0A1232	1	DC ALTERNATOR ASSEMBLY
20	0A7801B	1	PULLEY PLOY-V 82 OD.
21	021928	1	BRACKET ALT. SUPPORT
22	0C6239	1	BRACKET MOUNTING WELD ASSEMBLY
23	0A4241	1	PULLEY GROOVED IDLER
24	0C2885	1	PULLEY TENSIONER
25	0A5737C	1	SPACER DC ALTERNATOR 34MM
26	022131	8	WASHER FLAT 3/8-M10 ZINC
27	077456	1	ADAPTOR M12-1.75 3/8 NPT
28	044117	1	BARBED STRAIGHT 3/8 NPT X 5/8
29	057823	1	CLAMP HOSE #10 .56 - 1.06
30	057448	1	HOSE 5/8 ID TYPE 3 SINGLE (12")
31	022129	8	WASHER LOCK M8-5/16
32	022142	4	SCREW HHC 5/16-18 X 3/4 G5 (45KW)
33	048614	4	SCREW HHC 5/16-24 X 3/4 G5
34	022237	12	WASHER LOCK 3/8
35	029745	4	SCREW HHC 3/8-16 X 1 G5
36	042633	3	SCREW HHC 3/8-24 X 1 G5
37	033819	1	SCREW HHC 3/8-16 X 4 G5
38	022241	4	NUT HEX 3/8-16 STEEL
39	0A5768	1	WASHER FLAT HEAVY DUTY
40	046526	5	WASHER LOCK M10
41	049814	2	SCREW HHC M10-1.5 X 25 G8.8
42	0C3756	1	BOLT TENSIONER PULLEY
43	045772	2	NUT HEX M10-1.5 G8 YEL CHR
44	0D2514	8	SPARK PLUG 5.7L GM
45	052259	1	WASHER FLAT M12
46	055934D	1	CLAMP VINYL 1.06 X .406 Z
47	0A37970001	1	FILTER OIL



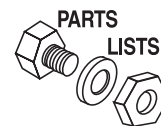
Section 7 – Exploded Views and Parts Lists

Guardian Liquid-cooled 40 kW Generators 4.3L Radiator – Drawing No. 0D7992-D



Section 7 – Exploded Views and Parts Lists

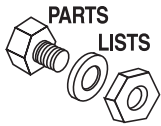
Guardian Liquid-cooled 40 kW Generators 4.3L Radiator – Drawing No. 0D7992-D



ITEM	PART NO.	QTY.	DESCRIPTION
1	0D7825	1	RADIATOR COPPER BRASS
2	0D8251	1	FAN GUARD BOTTOM
3	0D8252	1	FAN GUARD TOP
4	024655	4	SCREW HHTT 1/4-20 X 1 CZ
5	022097	4	WASHER LOCK M6-1/4
6	022473	4	WASHER FLAT 1/4 ZINC
7	0D7174	1	VENTURI 4.3L 22" FAN
	0D7174A	1	VENTURI 4.3L 17" FAN
9	0D7870	1	RADIATOR HOSE LOWER
10	035685	4	CLAMP HOSE #28 1.32 - 2.25
11	047290	1	HOSE 3/8 ID SINGLE BRAID
12	040173	2	CLAMP HOSE #5.5 .62 - .62
14	036865	1	DRAINCOCK
15	029032	1	HOSE 9/32 ID (64" LG)
16	052250	3	TAPE FOAM 1 X 1 (29" LG)
17	058443	10	SCREW CRIMPTITE 1/4-20 X 5/8
18	029745	4	SCREW HHC 3/8-16 X 1 G5
19	022237	4	WASHER LOCK 3/8
20	022131	4	WASHER FLAT 3/8-M10 ZINC
21	0D7850	1	RADIATOR HOSE UPPER
22	076749	1	BOTTLE COOLANT RECOVERY
23	0D7975	1	WATER BOTTLE BRACKET
24	090388	1	SCREW HHTT M6-1.0 X 12 YC
27	048031C	1	CLAMP HOSE BAND 1/4
29	0C4341	2	SUPPORT RADIATOR A GRP
30 *	0A6984	1	BRACKET AIR DUCT TOP/BOT
31 *	0D7942	1	SUPPORT AIR DUCT RH SIDE
32 *	0D7943	1	SUPPORT AIR DUCT LH SIDE
33 *	022413	8	SCREW HHC 1/4-20 X 1 G5
34 *	022097	8	WASHER LOCK M6-1/4
35 *	022473	8	WASHER FLAT 1/4 ZINC
36 **	0D7924	1	SCREEN FRONT
37 **	024655	4	SCREW HHTT 1/4-20 X 1 CZ
38 **	022097	4	WASHER LOCK M6-1/4
39 **	022473	4	WASHER FLAT 1/4 ZINC
40	090283	1	CAP RADIATOR 13 PSI-FOR SERVICE ONLY

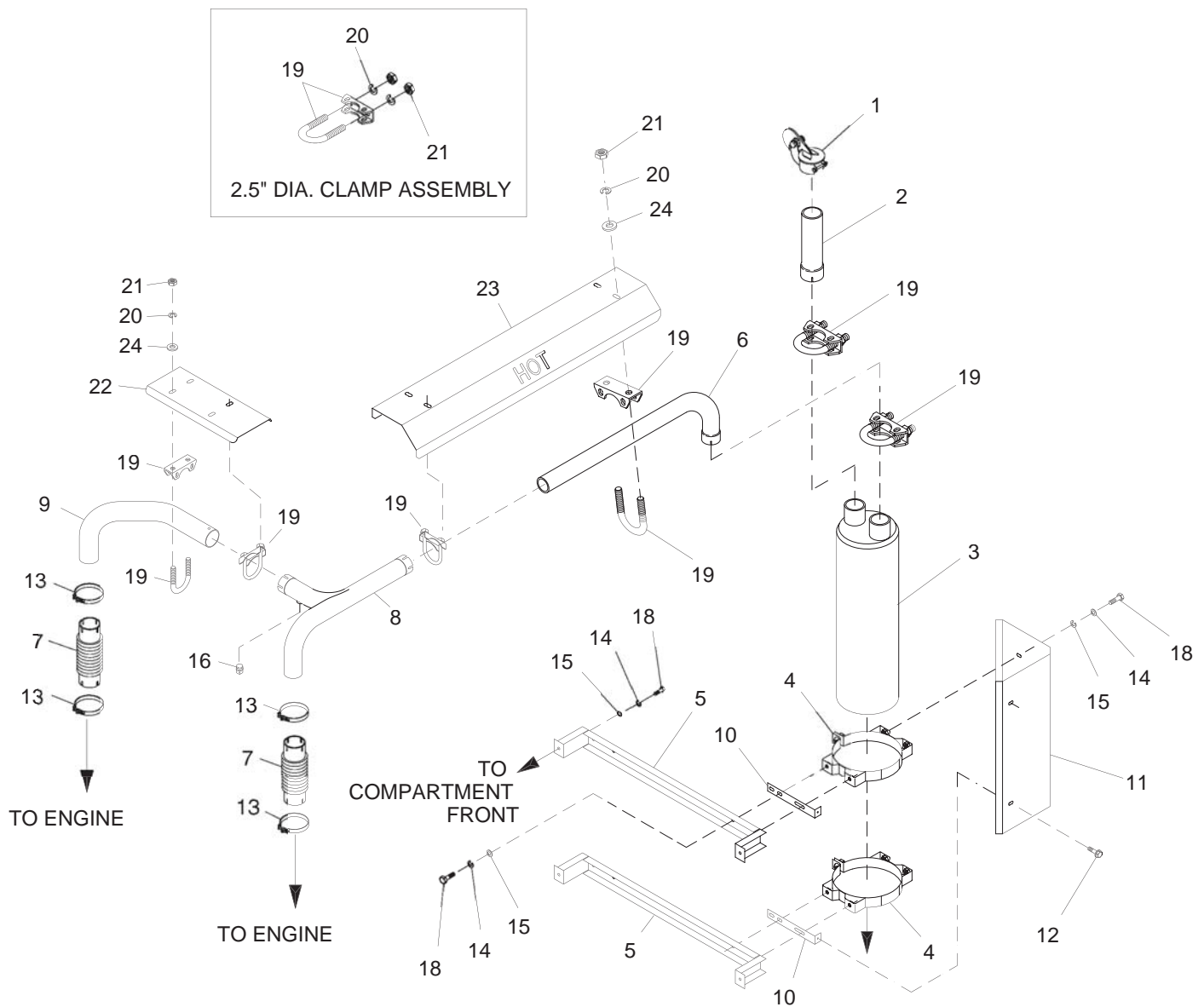
* OPTIONAL WITH KIT 0D7948

** OPTIONAL WITH KIT 0D7947



Section 7 – Exploded Views and Parts Lists

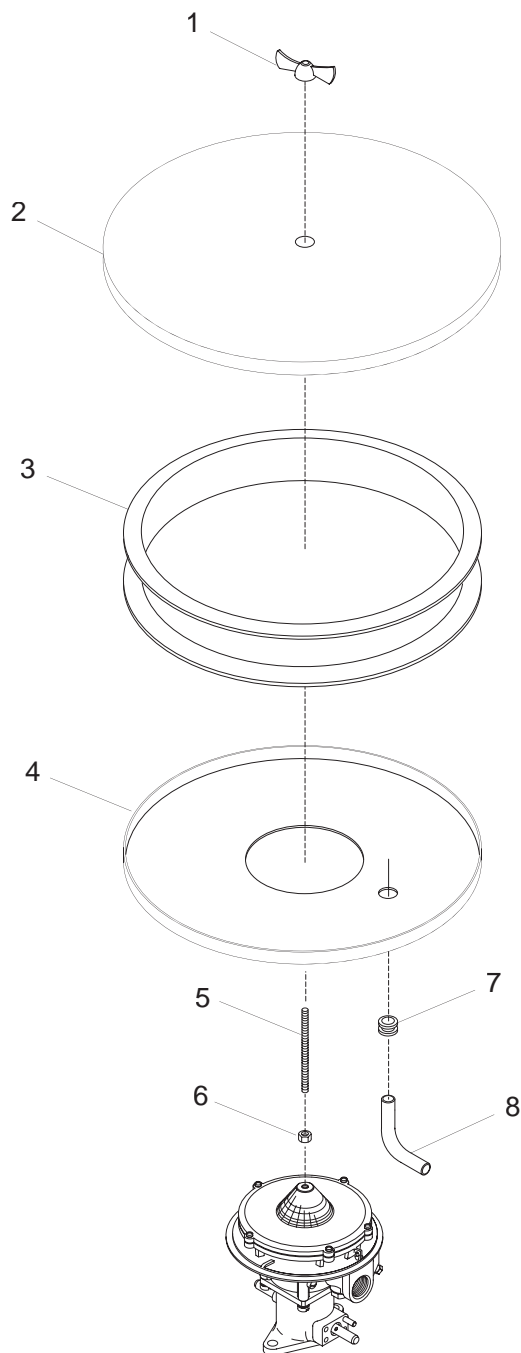
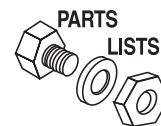
(Model No. 0043733, 0043734 & 0043735) Guardian Liquid-cooled 40 kW Generators
4.3L Exhaust – Drawing No. 0E0704-A



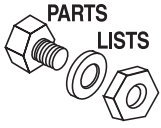
ITEM	PART NO.	QTY.	DESCRIPTION	ITEM	PART NO.	QTY.	DESCRIPTION
1	059902A	1	CAP RAIN 2.50 / 2.69	13	0C3433A	4	CLAMP BAND 2.5"
2	0C9641	1	TUBE STRAIGHT 'A' GROUP	14	022129	12	WASHER LOCK M8-5/16
3	0C9650	1	MUFFLER 2-1/2" INLET/OUTLET	15	022145	12	WASHER FLAT 5/16 ZINC
4	0C4114A	2	CLAMP BAND MUFFLER 6.5"	16	0C9748	1	PLUG M18-1.5
5	0C4126	2	BRACKET MUFFLER MOUNTING	18	042907	12	SCREW HHC M8-1.25 X 16 G8.8
6	0D5787	1	TUBE ELBOW 90 DEG 2.5"	19	080762	6	BOLT U 3/8-16 X 2.62
7	0A5215B	2	PIPE FLEX 2.5"	20	022237	12	WASHER LOCK 3/8
8	0E0699	1	TUBE, CROSS OVER	21	022241	12	NUT HEX 3/8-16 STEEL
9	0E0698	1	TUBE, 90 ELBOW	22	0E0701	1	SHIELD, CROSSOVER HEAT
10	0C4170	2	BRACKET EXHAUST SHIELD	23	0E0700	1	SHIELD, EXHAUST HEAT
11	0C4305	1	SHIELD A-GRP HEAT	24	022131	8	WASHER FLAT 3/8-M10 ZINC
12	0C2454	2	SCREW TH-FRM M6-1 X 16 N WA Z/JS				

Section 7 – Exploded Views and Parts Lists

Guardian Liquid-cooled 40 kW Generators 4.3L Air Cleaner – Drawing No. 0E0712

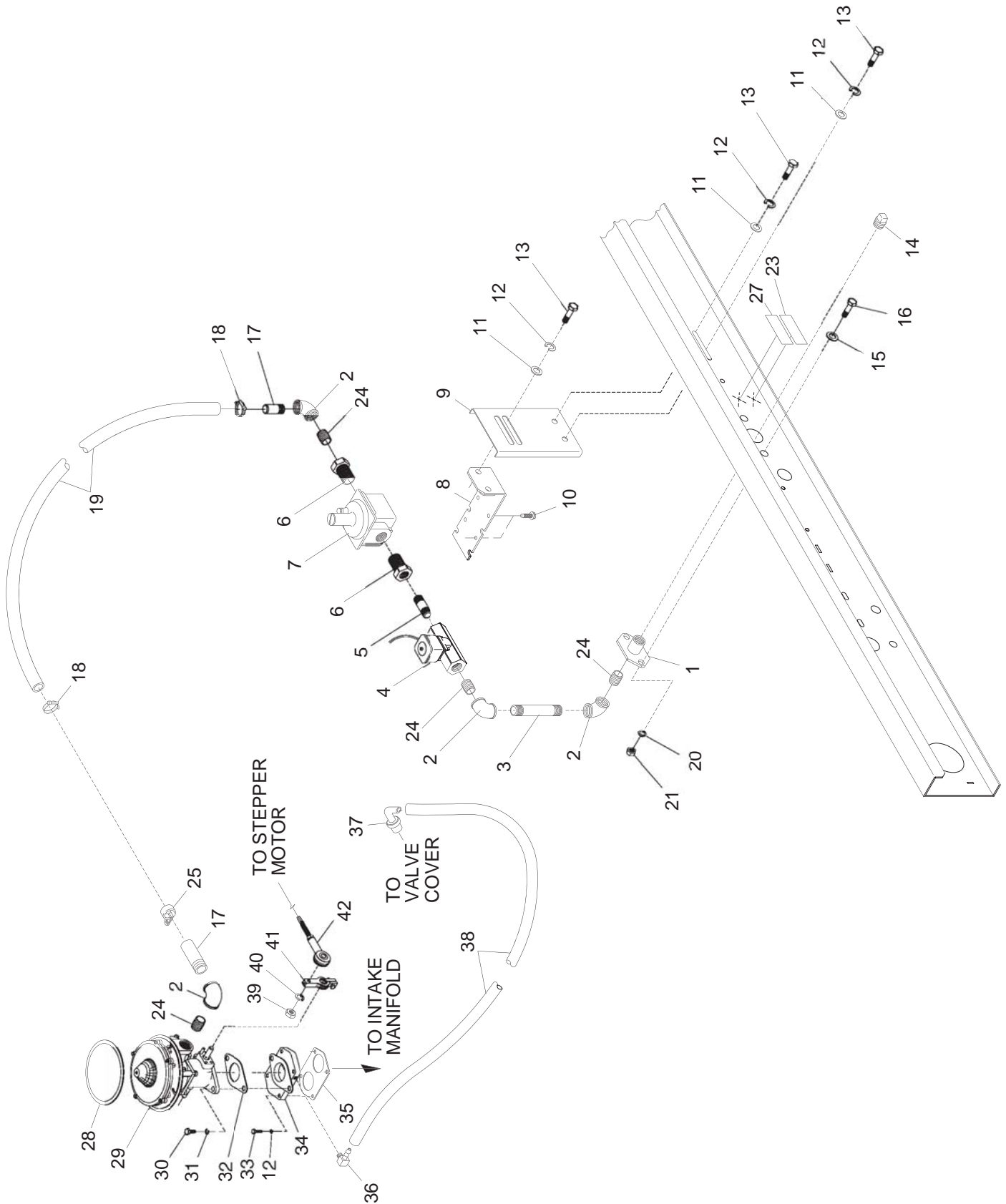


ITEM	PART NO.	QTY.	DESCRIPTION
1	037561	1	NUT WING 1/4-20 NYLK
2	0A4632A	1	PLATE AIR CLEANER TOP
3	0A4637	1	FILTER AIR 11.5" CA326
4	0A4632B	1	PLATE,AIR CLEANR BOT
5	062522	1	STUD TH 1/4-20 X 3 G2 ZNC FULL
6	022127	1	NUT HEX 1/4-20 STEEL
7	057796	1	GROMMET
8	057795	1	CONNECTOR C/C VENT



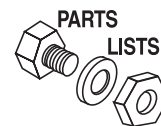
Section 7 – Exploded Views and Parts Lists

(Model No. 0043733, 0043734 & 0043735) Guardian Liquid-cooled 40 kW Generators
4.3L Nat. Gas Fuel System – Drawing No. 0E0714

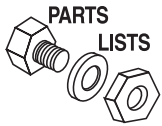


Section 7 – Exploded Views and Parts Lists

**(Model No. 0043733, 0043734 & 0043735) Guardian Liquid-cooled 40 kW Generators
4.3L Nat. Gas Fuel System – Drawing No. 0E0714**

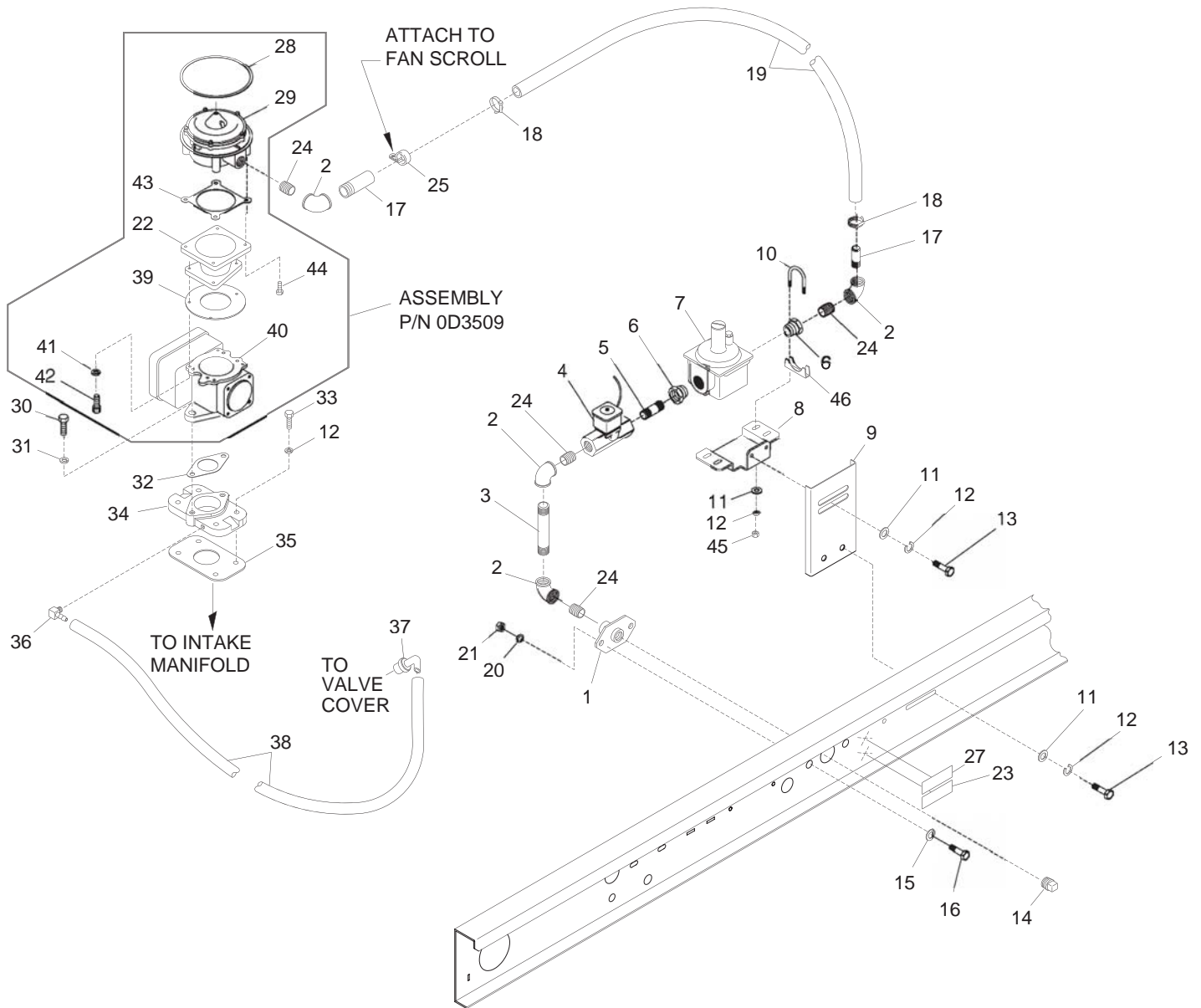


ITEM	PART NO.	QTY.	DESCRIPTION
1	065907	1	SUPPORT SOLENOID NAT GAS
2	026812	4	ELBOW 90D 3/4NPT
3	076691	1	NIPPLE PIPE 3/4 NPT X 4.5 BLK IRN
4	0C7598	1	ASSY NATURAL GAS SOLENOID
5	026490	1	NIPPLE PIPE 3/4 NPT X 2
6	026577	2	BUSHING REDUCER 1 TO 3/4
7	055944	1	REGULATOR NAT GAS LPG VAPOR
8	067018	1	SUPPORT REGULATOR
9	0C2775	1	BRACKET REGULATOR 4.3L
10	061910	4	SCREW HHTT #10-24 X 3/4 YC
11	022145	4	WASHER FLAT 5/16 ZINC
12	022129	8	WASHER LOCK M8-5/16
13	030795	4	SCREW HHC 5/16-18 X 1 G5
14	025655	1	PLUG STD PIPE 3/4 STEEL SQ HD
15	022132	2	WASHER FLAT 9/16 ZINC
16	051778	2	SCREW HHC M14-2.0 X 25 G8.8
17	028641	2	NIPPLE TOE 3/4 NPT X 2
18	057824	2	CLAMP HOSE #16 .87 - 1.50
19	057422	1	HOSE 1IN ID LP GAS (42"LG)
20	043123	2	WASHER LOCK M14
21	051779	2	NUT HEX M14-2 G8 YEL CHR
23	050279	1	DECAL FUEL INLET NG
24	026915	4	NIPPLE CLOSE 3/4 X 1.375
25	055934P	1	CLAMP VINYL 1.62 X .486 Z
26	0A5737C	1	SPACER, D.C. ALT. (29MM LONG) (NOT SHOWN)
27	0D1509	1	DECAL INLET PRESSURE
28	061258	1	GASKET AIR CLEANER
29	0A7631	1	CARB. REWORK 4.3L
30	029745	2	SCREW HHC 3/8-16 X 1 G5
31	022237	2	WASHER LOCK 3/8
32	052865	1	GASKET CARBURETOR
33	033212	2	SCREW HHC 5/16-18 X 1-1/4 G5
34	0A4120	1	ADAPTOR CARBURETOR W/INLET
35	064945	1	GASKET CARBURETOR ADAPTOR
36	0A6344	1	BARBED ELBOW 90 DEG 1/8 NPT X 3/8
37	0A4121	1	VALVE PCV
38	047290	1	HOSE 3/8 ID SINGLE BRAID (10")
39	036409	1	NUT HEX 1/4-28 STEEL
40	022097	1	WASHER LOCK M6-1/4
41	0A5763	1	ARM THROTTLE-REWORK
42	082508	1	BALL JOINT PLA .25-28



Section 7 – Exploded Views and Parts Lists

(Model No. 0046262, 0046263 & 0046264) Guardian Liquid-cooled 40 kW Generators
4.3L Nat. Gas Fuel System – Drawing No. 0E1338



Section 7 – Exploded Views and Parts Lists

**(Model No. 0046262, 0046263 & 0046264) Guardian Liquid-cooled 40 kW Generators
4.3L Nat. Gas Fuel System – Drawing No. 0E1338**

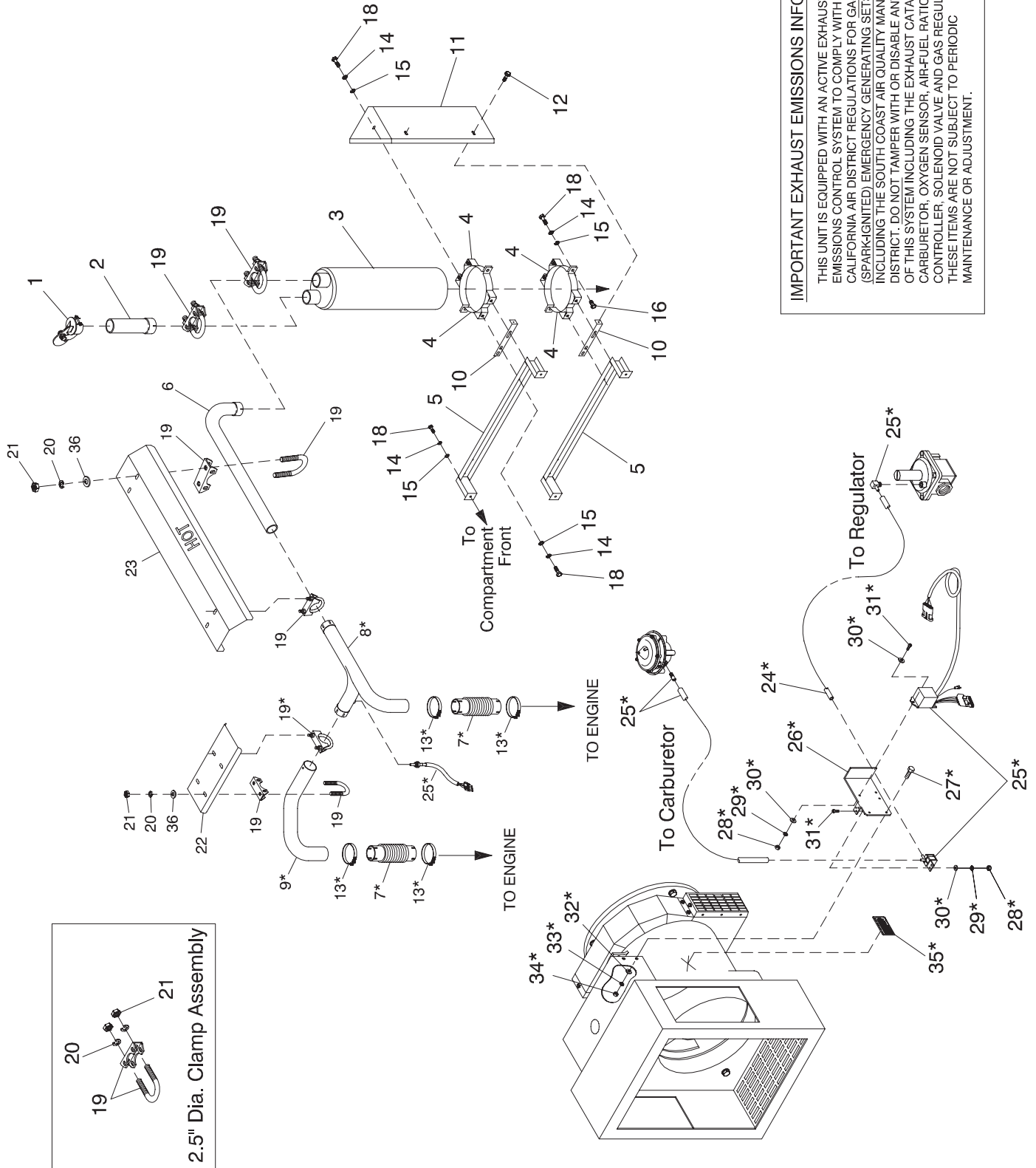


ITEM	PART NO.	QTY.	DESCRIPTION
1	065907	1	SUPPORT SOLENOID NAT GAS
2	026812	4	ELBOW 90D 3/4NPT
3	076691	1	NIPPLE PIPE 3/4 NPT X 4.5 BLK IRN
4	0C7598	1	ASSY NATURAL GAS SOLENOID
5	026490	1	NIPPLE PIPE 3/4 NPT X 2
6	026577	2	BUSHING REDUCER 1 TO 3/4
7	0D2758	1	REGULATOR, N/G (R600S)
8	0E0521	1	SUPPORT REGULATOR
9	0C2775	1	BRACKET REGULATOR 4.3L
10	028238	2	BOLT U 5/16-18 X 1.50
11	022145	8	WASHER FLAT 5/16 ZINC
12	022129	12	WASHER LOCK M8-5/16
13	030795	4	SCREW HHC 5/16-18 X 1 G5
14	025655	1	PLUG STD PIPE 3/4 STEEL SQ HD
15	022132	2	WASHER FLAT 9/16 ZINC
16	051778	2	SCREW HHC M14-2.0 X 25 G8.8
17	028641	2	NIPPLE TOE 3/4 NPT X 2
18	057824	2	CLAMP HOSE #16 .87 - 1.50
19	057422	1	HOSE 1IN ID LP GAS (44"LG)
20	043123	2	WASHER LOCK M14
21	051779	2	NUT HEX M14-2 G8 YEL CHR
22	0C7820	1	MACHINING, CARBURETOR ADAPTOR
23	050279	1	DECAL FUEL INLET LPG
24	026915	4	NIPPLE CLOSE 3/4 X 1.375
25	055934P	1	CLAMP VINYL 1.62 X .486 Z
26**	0A5737C	1	SPACER, D.C. ALT. (29MM LONG)
27	0D1509	1	DECAL INLET PRESSURE
28	061258	1	GASKET AIR CLEANER
29	0C7650A	1	MIXER (EMISSIONS) NATURAL GAS
30	029745	2	SCREW HHC 3/8-16 X 1 G5
31	022237	2	WASHER LOCK 3/8
32	0C7059	1	GASKET GOVERNOR THROTTLE BODY
33	033212	4	SCREW HHC 5/16-18 X 1-1/4 G5
34	0A4120	1	ADAPTOR CARBURETOR W/INLET
35	064945	1	GASKET CARBURETOR ADAPTOR
36	0A6344	1	BARBED ELBOW 90 DEG 1/8 NPT X 3/8
37	0A4121	1	VALVE PCV
38	047290	1	HOSE 3/8 ID SINGLE BRAID (10")
39	0C7060	1	GASKET CARBURETOR ADAPTOR
40	0D3485	1	ASSY THROTTLE PF42 WIRE CONN
41	022152	4	WASHER LOCK #10
42	0C7908	4	SCREW SHC #10-32 X 5/8 G8.8 NZ
43	0A6613	1	GASKET CARB IMPCO 225
44	064090	4	SCREW PHM SEMS #12-24 X 5/8 EX
45	022259	4	NUT HEX 5/16-18 STEEL
46	028237	2	SADDLE 1-3/8

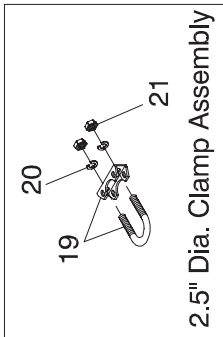
**NOT SHOWN

Section 7 – Exploded Views and Parts Lists

**(Model No. 0046262, 0046263 & 0046264) Guardian Liquid-cooled 40 kW Generators
Exhaust – Drawing No. 0E1347-A**

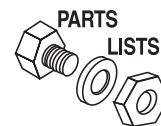


IMPORTANT EXHAUST EMISSIONS INFORMATION
 THIS UNIT IS EQUIPPED WITH AN ACTIVE EXHAUST EMISSIONS CONTROL SYSTEM TO COMPLY WITH CERTAIN CALIFORNIA AIR DISTRICT REGULATIONS FOR GASEOUS (SPARK-IGNITED) EMERGENCY GENERATING SETS, INCLUDING THE SOUTH COAST AIR QUALITY MANAGEMENT DISTRICT. DO NOT TAMPER WITH OR DISABLE ANY PART OF THIS SYSTEM INCLUDING THE EXHAUST CATALYST, CARBURETOR, OXYGEN SENSOR, AIR-FUEL RATIO CONTROLLER, SOLENOID VALVE AND GAS REGULATOR. THESE ITEMS ARE NOT SUBJECT TO PERIODIC MAINTENANCE OR ADJUSTMENT.



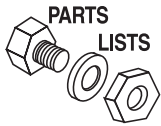
Section 7 – Exploded Views and Parts Lists

**(Model No. 0046262, 0046263 & 0046264) Guardian Liquid-cooled 40 kW Generators
Exhaust – Drawing No. 0E1347-A**



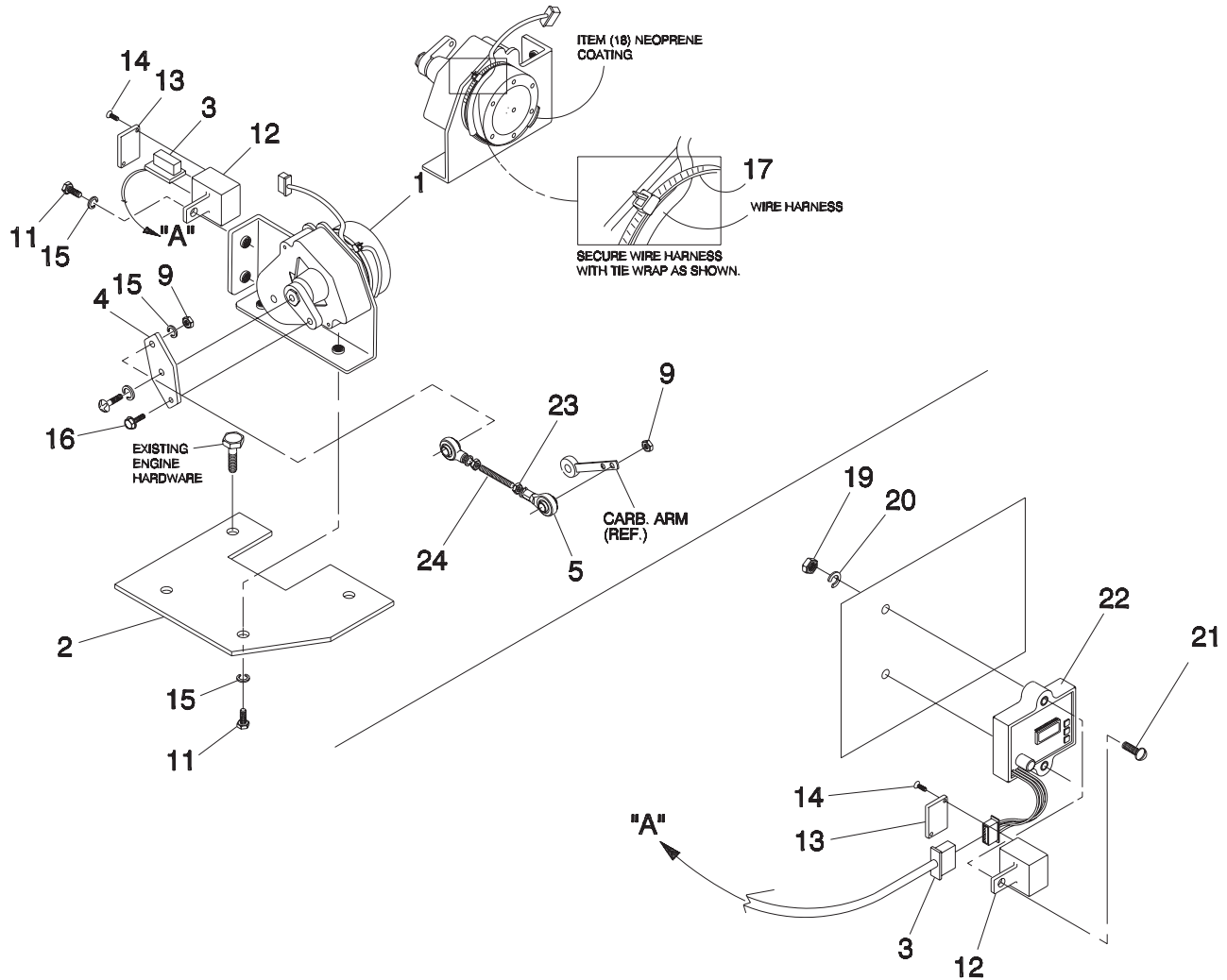
ITEM	PART NO.	QTY.	DESCRIPTION
1	059902A	1	CAP RAIN 2.50 / 2.69
2	0C9641	1	TUBE STRAIGHT 'A' GROUP
3	0D4208	1	MUFFLER CATALYST 4.3L
4	0D5061	4	MOUNTING BAND A-GRP CATALYST
5	0C4126	2	BRACKET MUFFLER MOUNTING
6	0D5787	1	TUBE ELBOW 90 DEG 2.5"
7	0A5215B	2	PIPE FLEX 2.5"
8	0E0699	1	TUBE, CROSS OVER
9	0E0698	1	TUBE, 90 ELBOW
10	0C4170	2	BRACKET EXHAUST SHIELD
11	0C4305	1	SHIELD A-GRP HEAT
12	0C2454	2	SCREW TH-FRM M6-1 X 16 N WA Z/JS
13	0C3433A	4	CLAMP BAND 2.5"
14	022129	16	WASHER LOCK M8-5/16
15	022145	20	WASHER FLAT 5/16 ZINC
16	045771	4	NUT HEX M8-1.25 G8 YEL CHR
18	042907	16	SCREW HHC M8-1.25 X 16 G8.8
19	080762	6	BOLT U 3/8-16 X 2.62
20	022237	12	WASHER LOCK 3/8
21	022241	12	NUT HEX 3/8-16 STEEL
22	0E0701	1	SHIELD, CROSSOVER HEAT
23	0E0700	1	SHIELD, EXHAUST HEAT
24	077879	1	HOSE VACUUM 5/32 (36"LG)
25	0D4221	1	KIT AIR/FUEL RATIO CONTROLLER
26	0D4512	1	BRACKET AIR/FUEL CONTROLLER
27	043116	2	SCREW HHC M6-1.0 X 12 G8.8
28	022471	5	NUT HEX #8-32 STEEL
29	022264	5	WASHER LOCK #8-M4
30	038150	8	WASHER FLAT #8 ZINC
31	036918	5	SCREW PPHM #8-32 X 1/2
32	049811	2	WASHER FLAT M6
33	022097	2	WASHER LOCK M6-1/4
34	049813	2	NUT HEX M6 X 1.0 G8 YEL CHR
35	0D8780	1	DECAL IMPORTANT EXHAUST EMISSION INFO
36	022131	8	WASHER FLAT 3/8-M10 ZINC

*NOTE: COMPONENT INSTALLED AT WAUKESHA FACILITY



Section 7 – Exploded Views and Parts Lists

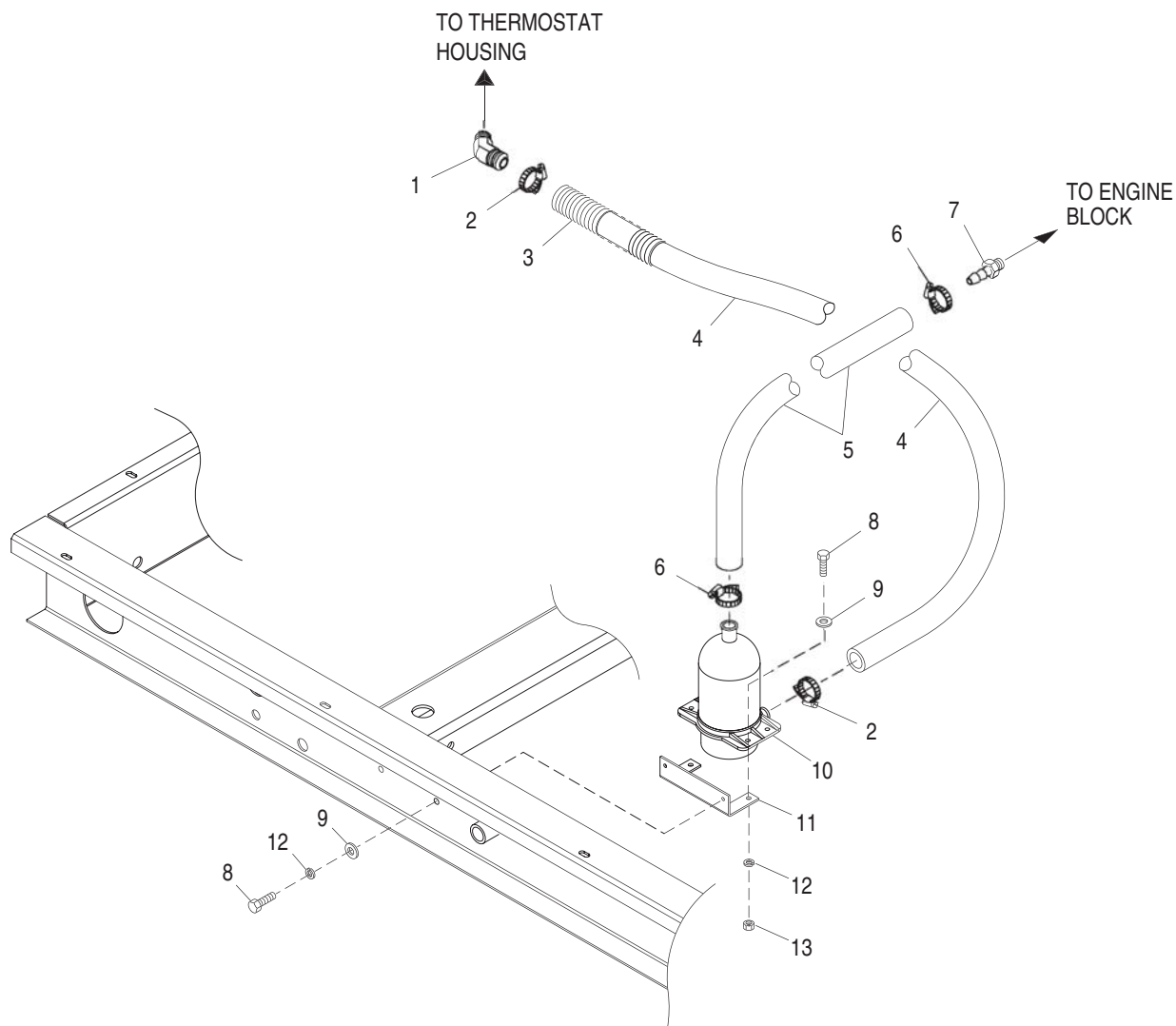
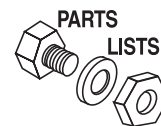
(Model No. 0043733, 0043734 & 0043735) Guardian Liquid-cooled 40 kW Generators
Electronic Governor – Drawing No. 0A2615-F



ITEM	PART NO.	QTY.	DESCRIPTION
1	098290	1	ASSEMBLY MOTOR STEPPER
2	0A3439	1	BRACKET GOVERNOR MOUNTING
3	098958A	1	CONNECTOR INTERFACE ASSEMBLY
4	021888	1	LEVER STEPPER MOTOR
5	082508	2	BALL JOINT 1/4-28
9	036409	2	NUT HEX 1/4-28 STEEL
11	043146	3	SCREW HHC M6-1.0 X 10 G8.8
12	098941A	2	HOUSING GOVERNOR CONNECT
13	098942A	2	COVER CONN HOUSING
14	098225	4	SCREW FHM #2 X 5/8 SELF TAP
15	022097	4	WASHER LOCK M6-1/4
16	064526	1	SCREW TAP HWH #6-25 X 3/8 ZINC
17	029333A	1	TIE WRAP 7.4" X .19" BLACK UL
18	074031	-	NEOPRENE LIQUID COATING (NOT SHOWN)
19	051716	2	NUT HEX M5-0.8 G8 YEL CHR
20	049226	2	WASHER LOCK M5
21	076040	2	SCREW PPHM M5-0.8 X 16
22	098647	1	ASSEMBLY L.C. ELECTRONIC GOVERNOR
23	036409	2	NUT HEX 1/4-28 STEEL
24	0C2184	1	STUD THR 1/4-28 X 3-1/2 G2 ZINC

Section 7 – Exploded Views and Parts Lists

Guardian Liquid-cooled 40 kW Generators Engine Coolant Heater – Drawing No. 0E2352



ITEM	PART NO.	QTY.	DESCRIPTION
1	**0C4905	1	BARBED EL 45 FITTING
2	**057822	2	CLAMP HOSE #8 .53-1.00
3	**077043E	1	CONDUIT FLEX 1" BLACK (15"LG)
4	**050967	1	HOSE 5/8 ID RIA 250F (46"LG)
5	0A6283	1	HOSE PREFORMED BLOCK HEATER
6	057822	2	CLAMP HOSE #8 .53-1.00
7	053660	1	BARBED STR 1/4 NPT X 5/8
8	042568	4	SCREW HHC M6-1.0 X 20 G8.8
9	022473	4	WASHER FLAT 1/4-M6 ZINC
10	084918A	1	HEATER ENG 1000W 120V
	*084918B	1	HEATER BLOCK 1000W 240V
11	084427	1	BRACKET HEATER W/WELDNUTS
12	022097	4	WASHER LOCK M6-1/4
13	049813	2	NUT HEX M6 X 1.0 G8 YEL CHR
14	055934D	1	CLAMP VINYL 1.06 X .406 Z (NOT SHOWN)
15	077043A	1	CONDUIT FLEX .38 ID (42"LG) (NOT SHOWN) (USED ON HEATER CORD)

*USED ON 50HZ VOLTAGE GENERATORS ONLY.

**USED ON NATURAL GAS & L/P VAPOR UNITS ONLY.



CALIFORNIA EMISSION CONTROL WARRANTY STATEMENT

YOUR WARRANTY RIGHTS AND OBLIGATIONS

The California Air Resources Board (CARB) and Generac Power Systems, Inc. (Generac) are pleased to explain the Emission Control System Warranty on your new engine.* In California, new utility, and lawn and garden equipment engines must be designed, built and equipped to meet the state's stringent anti-smog standards. Generac will warrant the emission control system on your engine for the periods of time listed below provided there has been no abuse, neglect, unapproved modification or improper maintenance of your engine.

Your emission control system may include parts such as the carburetor, ignition system and exhaust system. Generac will repair your engine at no cost to you for diagnosis, replacement parts and labor, should a warrantable condition occur.

MANUFACTURER'S EMISSION CONTROL SYSTEM WARRANTY COVERAGE:

Emissions control systems on 1995 and later model year engines are warranted for two years as hereinafter noted. If, during such warranty period, any emission-related component or system on your engine is found to be defective in materials or workmanship, repairs or replacement will be performed by a Generac Authorized Warranty Service Facility.

PURCHASER'S/OWNER'S WARRANTY RESPONSIBILITIES:

As the engine purchaser/owner, you are responsible for the completion of all required maintenance as listed in your factory supplied *Owner's Manual*. For warranty purposes, Generac recommends that you retain all receipts covering maintenance on your engine. However, Generac cannot deny warranty solely due to the lack of receipts or for your failure to ensure the completion of all scheduled maintenance.

As the engine purchaser/owner, you should, however, be aware that Generac may deny any and/or all warranty coverage or responsibility if your engine, or a part/component thereof, has failed due to abuse, neglect, improper maintenance or unapproved modifications, or the use of counterfeit and/or "grey market" parts not made, supplied or approved by Generac.

You are responsible for presenting your engine to a Generac Authorized Warranty Service Facility as soon as a problem occurs. The warranty repairs should be completed in a reasonable amount of time, not to exceed 30 days.

Warranty service can be arranged by contacting either your selling dealer or a Generac Authorized Warranty Service Facility. To locate the Generac Authorized Warranty Service Facility nearest you, call our toll-free number:

1-800-333-1322

IMPORTANT NOTE: This warranty statement explains your rights and obligations under the Emission Control System Warranty (ECS Warranty), which is provided to you by Generac pursuant to California law. See also the "Generac Limited Warranties for Generac Power Systems, Inc.," which is enclosed herewith on a separate sheet, also provided to you by Generac. The ECS Warranty applies **only** to the emission control system of your new engine. If there is any conflict in terms between the ECS Warranty and the Generac Warranty, the ECS Warranty shall apply except in circumstances where the Generac Warranty may provide a longer warranty period. Both the ECS Warranty and the Generac Warranty describe important rights and obligations with respect to your new engine.

Warranty service can be performed only by a Generac Authorized Warranty Service Facility. When requesting warranty service, evidence must be presented showing the date of the sale to the original purchaser/owner.

If you have any questions regarding your warranty rights and responsibilities, you should contact Generac at the following address:

**ATTENTION WARRANTY DEPARTMENT
GENERAC POWER SYSTEMS, INC.
P.O. BOX 297
WHITEWATER, WI 53190**

Part 1



EMISSION CONTROL SYSTEM WARRANTY

Emission Control System Warranty (ECS Warranty) for 1995 and later model year engines:

- (a) Applicability: This warranty shall apply to 1995 and later model year engines. The ECS Warranty Period shall begin on the date the new engine or equipment is purchased by/delivered to its original, end-use purchaser/owner and shall continue for 24 consecutive months thereafter.
- (b) General Emissions Warranty Coverage: Generac warrants to the original, end-use purchaser/owner of the new engine or equipment and to each subsequent purchaser/owner that each of its engines is ...
- (1) Designed, built and equipped so as to conform with all applicable regulations adopted by the CARB pursuant to its authority, and
 - (2) Free from defects in materials and workmanship which, at any time during the ECS Warranty Period, may cause a warranted emissions-related part to fail to be identical in all material respects to the part as described in the engine manufacturer's application for certification.
- (c) The ECS Warranty only pertains to emissions-related parts on your engine, as follows:
- (1) Any warranted, emissions-related parts that are not scheduled for replacement as required maintenance in the *Owner's Manual* shall be warranted for the ECS Warranty Period. If any such part fails during the ECS Warranty Period, it shall be repaired or replaced by Generac according to Subsection (4) below. Any such part repaired or replaced under the ECS Warranty shall be warranted for the remainder of the ECS Warranty Period.
 - (2) Any warranted, emissions-related part that is scheduled only for regular inspection as specified in the *Owner's Manual* shall be warranted for the ECS Warranty Period. A statement in such written instructions to the effect of "repair or replace as necessary" shall not reduce the ECS Warranty Period. Any such part repaired or replaced under the ECS Warranty shall be warranted for the remainder of the ECS Warranty Period.
 - (3) Any warranted, emissions-related part that is scheduled for replacement as required maintenance in the *Owner's Manual* shall be warranted for the period of time prior to the first scheduled replacement point for that part. If the part fails prior to the first scheduled replacement, the part shall be repaired or replaced by Generac according to Subsection (4) below. Any such emissions-related part repaired or replaced under the ECS Warranty shall be warranted for the remainder of the ECS Warranty Period prior to the first scheduled replacement point for such emissions-related part.
 - (4) Repair or replacement of any warranted, emissions-related part under this ECS Warranty shall be performed at no charge to the owner at a Generac Authorized Warranty Service Facility.
 - (5) When the engine is inspected by a Generac Authorized Warranty Service Facility, the owner shall not be held responsible for diagnostic costs if the repair is deemed warrantable.
 - (6) Generac shall be liable for damages to other original engine components or approved modifications proximately caused by a failure under warranty of any emission-related part covered by the ECS Warranty.
 - (7) Throughout the ECS Warranty Period, Generac shall maintain a supply of warranted emission-related parts sufficient to meet the expected demand for such emission-related parts.
 - (8) Any Generac authorized and approved emission-related replacement part may be used in the performance of any ECS Warranty maintenance or repairs and will be provided without charge to the owner. Such use shall not reduce Generac ECS Warranty obligations.
 - (9) Unapproved, add-on, modified, counterfeit and/or "grey market" parts may not be used to modify or repair a Generac engine. Such use voids this ECS Warranty and shall be sufficient grounds for disallowing an ECS Warranty claim. Generac shall not be held liable hereunder for failures of any warranted parts of a Generac engine caused by the use of such an unapproved, add-on, modified, counterfeit and/or "grey market" part.

EMISSION RELATED PARTS INCLUDE THE FOLLOWING:

- | | |
|---|---|
| <ol style="list-style-type: none">1) Fuel Metering System:<ol style="list-style-type: none">1.2) LPG/Natural Gas carburetion assembly and its internal components.<ol style="list-style-type: none">a) Fuel controller (if so equipped)b) Mixer and its gaskets (if so equipped)c) Carburetor and its gaskets (if so equipped)d) Primary gas regulator (if so equipped)e) LP liquid vaporizer (if so equipped)2) Air Induction System including:<ol style="list-style-type: none">a) Intake pipe/manifoldb) Air cleaner | <ol style="list-style-type: none">3) Ignition System including:<ol style="list-style-type: none">a) Spark plugb) Ignition module4) Catalytic Muffler Assembly (if so equipped) including:<ol style="list-style-type: none">a) Muffler gasketb) Exhaust manifold5) Crankcase Breather Assembly including:<ol style="list-style-type: none">a) Breather connection tube |
|---|---|

*Generac engine types covered by this warranty statement include the following:

- 1) Prepackaged Standby Generator
- 2) Auxiliary Power Unit (APU) Generator
- 3) Standby Generator



Section 9 – Warranty
Guardian Liquid-cooled 40 kW Generators

**GENERAC POWER SYSTEMS STANDARD "TWO YEAR" LIMITED WARRANTY FOR
GUARDIAN "EMERGENCY AUTOMATIC STANDBY GENERATORS"**

For a period of two years from the date of original sale, Generac Power Systems, Inc. (Generac) will, at its option, repair or replace any part which, upon examination, inspection and testing by Generac or a Generac Authorized Warranty Service Dealer, is found to be defective under normal use and service, in accordance with the warranty schedule set forth below. Any equipment that the purchaser/owner claims to be defective must be returned to and examined by the nearest Generac Authorized Warranty Service Dealer. All transportation costs under the warranty, including return to the factory, are to be borne and pre-paid by the purchaser/owner. This warranty applies only to Generac emergency automatic standby generators sold and rated for use in "Standby" applications.

WARRANTY SCHEDULE

YEARS ONE and TWO - 100% (one hundred percent) transferable coverage on Labor and Part(s) listed (proof of purchase and maintenance is required):

- Engine - All Components
- Alternator - All Components
- Transfer System - All Components

All warranty expense allowances are subject to the conditions defined in Generac's Warranty Policies, Procedures and Flat Rate Manual.

THIS WARRANTY SHALL NOT APPLY TO THE FOLLOWING:

- Generac generators that utilize non-Generac replacement parts.
- Generac/Guardian generators utilizing non-Generac/Guardian automatic transfer switches.
- Any Generac generators used as rental or trailer mounted applications.
- Units used for prime power in place of existing utility power where utility power is present or in place of utility power where utility power service does not normally exist.
- Costs of normal maintenance, adjustments, installation and start-up.
- Failures caused by any contaminated fuels, oils, coolants or lack of proper fluid amounts.
- Failures due, but not limited, to normal wear and tear, accident, misuse, abuse, negligence or improper installation. As with all mechanical devices, the Generac engines need periodic part(s) service and replacement to perform well. This warranty will not cover repair when normal use has exhausted the life of a part(s) or engine.
- Failures caused by any external cause or act of God, such as collision, theft, vandalism, riot or wars, nuclear holocaust, fire, freezing, lightning, earthquake, windstorm, hail, volcanic eruption, water or flood, tornado or hurricane.
- Damage related to rodent infestation.
- Products that are modified or altered in a manner not authorized by Generac in writing.
- Any incidental, consequential or indirect damages caused by defects in materials or workmanship, or any delay in repair or replacement of the defective part(s).
- Failure due to misapplication.
- Telephone, cellular phone, facsimile, internet access or other communication expenses.
- Living or travel expenses of person(s) performing service, except as specifically included within the terms of a specific unit warranty period.
- Expenses related to "customer instruction" or troubleshooting where no manufacturing defect is found.
- Rental equipment used while warranty repairs are being performed.
- Overnight freight costs for replacement part(s).
- Overtime labor.
- Starting batteries, fuses, light bulbs and engine fluids.

USE OF NON-GENERAC/GUARDIAN TRANSFER SWITCHES SHALL VOID THIS WARRANTY WITH RESPECT TO ALL GENERAC PRODUCT.

THIS WARRANTY IS IN PLACE OF ALL OTHER WARRANTIES, EXPRESSED OR IMPLIED. SPECIFICALLY, GENERAC MAKES NO OTHER WARRANTIES AS TO THE MERCHANTABILITY OR FITNESS FOR A PARTICULAR PURPOSE. Some states do not allow limitations on how long an implied warranty lasts, so the above limitation may not apply to you.

GENERAC'S ONLY LIABILITY SHALL BE THE REPAIR OR REPLACEMENT OF PART(S) AS STATED ABOVE. IN NO EVENT SHALL GENERAC BE LIABLE FOR ANY INCIDENTAL OR CONSEQUENTIAL DAMAGES, EVEN IF SUCH DAMAGES ARE A DIRECT RESULT OF GENERAC'S NEGLIGENCE. Some states do not allow the exclusion or limitation of incidental or consequential damages, so the above limitation may not apply to you.

This warranty gives you specific legal rights. You also have other rights from state to state.

P.O. BOX 297
WHITEWATER, WI 53190

Free Manuals Download Website

<http://myh66.com>

<http://usermanuals.us>

<http://www.somanuals.com>

<http://www.4manuals.cc>

<http://www.manual-lib.com>

<http://www.404manual.com>

<http://www.luxmanual.com>

<http://aubethermostatmanual.com>

Golf course search by state

<http://golfingnear.com>

Email search by domain

<http://emailbydomain.com>

Auto manuals search

<http://auto.somanuals.com>

TV manuals search

<http://tv.somanuals.com>