

XG8000E

XG SERIES
Commercial/Residential
Portable Generators

A/C Rated Output Watts: 8000
A/C Maximum Output Watts: 10000

Model 5747-0

UPC Number: 696471057478
Emissions Certification: 49-State



features

- GENERAC OHVI ENGINE
- ILLUMINATED CONTROL PANEL
- POWERBAR MONITORS WATT USAGE
- ENGINE CONTROLS LOCATED ON CONTROL PANEL
- FULL-WRAP, HEAVY DUTY FRAME TUBING
- NEVER-FLAT, RALLY-STYLE WHEELS
- HOUR METER WITH MAINTENANCE RESETS
- COVERED OUTLETS FOR PROTECTION FROM THE ELEMENTS
- LOW-OIL SHUTDOWN TO PREVENT ENGINE DAMAGE
- GFCI OUTLET PROTECTION

customer connections

Connection Outlets

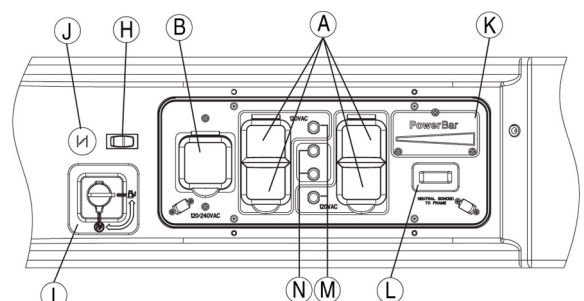
| | |
|---|--------------|
| A | 4X5-20R.GFCI |
| B | 1xL14-30R |

Circuit Breakers

| | |
|---|---------|
| M | (2) 20A |
| N | (2) 30A |

Other Features

| | |
|---|---------------------|
| H | Off/On/Start Switch |
| I | Fuel Cut-Off |
| J | Choke |
| K | Power Bar |
| L | Hour Meter |



XG8000E

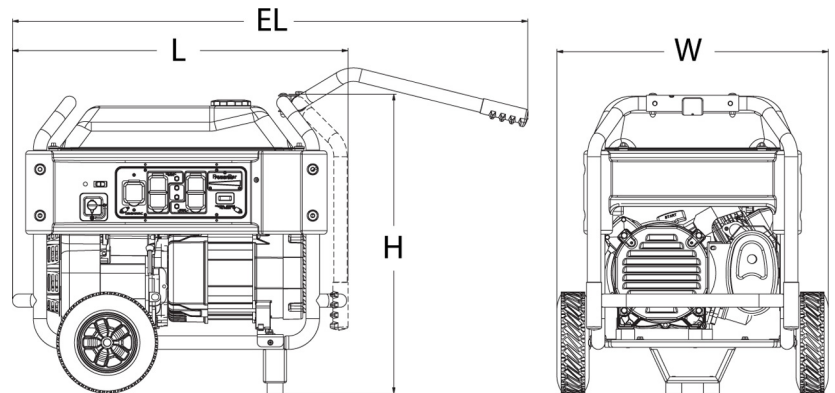
specifications

| | |
|----------------------------|------------------|
| Product Series | XG8000E |
| Model | 5747-0 |
| Configuration/Emissions | 49-State |
| A/C Rated Output Watts: | 8000 |
| A/C Maximum Output Watts: | 10000 |
| A/C Voltage | 120/240 |
| A/C Frequency | 60 Hz |
| Rated 120/240 VAC Amperage | 33.3 |
| Max 120/240 VAC Amperage | 41.7 |
| Engine Displacement | 410cc |
| Engine Type | OHVI |
| Engine RPM | 3600 |
| Recommended Oil | SAE30 |
| Lubrication Method | Full Pressure |
| Choke Type | On Control Panel |
| Fuel Shut Off | On Control Panel |
| Idle Control | Full Speed |
| Starting Method | Electric/Manual |
| Battery | Included |
| Battery Size | 12VDC 10 Ahr |
| Low Oil Shutdown Method | Low Pressure |

| | |
|---------------------------|---------------------|
| Start Switch Type | 3-Position |
| Switch Location | On Control Panel |
| Single-Point Lifting Eye | N/A |
| Fuel Gauge | Built-in Tank |
| Fuel Tank Capacity (Gal) | 9.00 |
| Fuel Tank Capacity (Ltrs) | 34.07 |
| Run Time at 50% (Hours) | 10.00 |
| Cord Set | N/A |
| Handle Style | Folding Interlocked |
| Wheel type | 9.5" Solid Wheels |
| Maintenance Kit | Included |
| Warranty - Residential | 2 Year |
| Warranty - Commercial | 1 Year |

dimensions and weights

| | |
|-----------------------|-------|
| Length (L) | 31.5 |
| Width (W) | 25.5 |
| Height (H) | 28.0 |
| Extended Length (EL) | 48.5 |
| Carton Length | 33.0 |
| Carton Width | 26.0 |
| Carton Height | 25.0 |
| Unit Weight (lbs) | 250.0 |
| Shipping Weight (lbs) | 255.0 |



Free Manuals Download Website

<http://myh66.com>

<http://usermanuals.us>

<http://www.somanuals.com>

<http://www.4manuals.cc>

<http://www.manual-lib.com>

<http://www.404manual.com>

<http://www.luxmanual.com>

<http://aubethermostatmanual.com>

Golf course search by state

<http://golfingnear.com>

Email search by domain

<http://emailbydomain.com>

Auto manuals search

<http://auto.somanuals.com>

TV manuals search

<http://tv.somanuals.com>