



HC208B INSTRUCTION MANUAL

Contents

| | |
|---|-------|
| Warnings & Precautions | 2 |
| Important Safety Instructions | 3 |
| In the Box & Features | 4 |
| Powering the Unit & Mounting the Unit to a Wall | 5 |
| Connecting the Speaker | 6 |
| Setting the Clock & Using the Sleep Timer | 7 |
| Tuning the AM/FM | 8 |
| Radio & Playing a CD | 9 |
| Programming a CD | 10 |
| Using the Line Input | 11 |
| Controls & Definitions | 12-15 |
| Service Information | 16 |

Warnings and Precautions

TO PREVENT FIRE OR SHOCK HAZARDS, DO NOT EXPOSE THIS UNIT TO RAIN OR MOISTURE.



This symbol, located on back or bottom of the unit, is intended to alert the user to the presence of uninsulated “dangerous voltage” within the product’s enclosure that may be of sufficient magnitude to constitute a risk of electric shock to persons.



This symbol, located on back or bottom of the unit, is intended to alert the user to the presence of important operating and maintenance (servicing) instructions in the literature accompanying the appliance.



This product utilizes a Class 1 laser to read Compact Discs. This laser Compact Disc Player is equipped with safety switches to avoid exposure when the CD door is open and the safety interlocks are defeated. Invisible laser radiation is present when the CD Player’s lid is open and the system’s interlock has failed or been defeated. It is very important that you avoid direct exposure to the laser beam at all times. Please do not attempt to defeat or bypass the safety switches.

CAUTION: TO PREVENT ELECTRIC SHOCK, MATCH WIDE BLADE OF PLUG TO WIDE SLOT, FULLY INSERT.

To reduce the risk of electric shock, do not remove cover (or back). There are no user-serviceable parts inside. Please refer any servicing to qualified service personnel.

WARNING: Changes or modifications to this unit not expressly approved by the party responsible for compliance could void the user’s authority to operate the equipment.

WARNING: Danger of explosion if the remote control’s batteries are incorrectly installed. Replace only with the same or equivalent battery.

WARNING: The remote control’s button cell battery contains mercury. Do not put in the trash, instead recycle or dispose of as hazardous waste

WARNING: Use of this unit near fluorescent lighting may cause interference regarding use of the remote. If the unit is displaying erratic behavior move away from any fluorescent lighting, as it may be the cause.

Do not mix old and new batteries.

Do not mix alkaline, standard (carbon-zinc), or rechargeable (ni-cad, ni-mh, etc) batteries.

NOTE: This equipment has been tested and found to comply with the limits for a Class B digital device, pursuant to Part 15 of the FCC Rules. These limits are designed to provide reasonable protection against harmful interference in a residential installation. This equipment generates, uses, and can radiate radio frequency energy and, if not installed and used in accordance with the instructions, may cause harmful interference to radio communications. However, there is no guarantee that interference will not occur in a particular installation. If this equipment does cause harmful interference to radio or television reception, which can be determined by turning the equipment off and on, the user is encouraged to try to correct the interference by one or more of the following measures:

- Reorient or relocate the receiving antenna.
- Increase the separation between the equipment and receiver.
- Connect the equipment into an outlet on a circuit different from that to which the receiver is connected.
- Consult the dealer or an experienced radio/TV technician for help.

Important Safety Instructions

1. **Read Instructions** - All the safety and operating instruction should be read before the product is operated.
2. **Retain Instructions** - The safety and operating instruction should be retained for future reference.
3. **Heed Warnings** - All warning on the product and in the operating instructions should be adhered to.
4. **Follow instructions** - All operating and use instructions should be followed.
5. **Cleaning** - Unplug this product from the wall outlet before cleaning. Do not use liquid cleaners or aerosol cleaners. Clean only with a dry cloth.
6. **Attachments** - Do not use attachments not recommended by the product manufacturer as they may cause hazards.
7. **Water and Moisture** - Do not use this product near water - for example, near a bath tub, wash bowl, kitchen sink, or laundry tub; in a wet basement, or near a swimming pool, and the like. The apparatus shall not be exposed to dripping or splashing and that no objects filled with liquids, such as vases, shall be placed on apparatus.
8. **Accessories** - Do not place this product on an unstable cart, stand tripod, bracket, or table. The product may fall, causing serious injury to a child or adult, and serious damage to the product. Use only with a cart, stand, tripod, bracket, or table recommended by the manufacturer, or sold with the product. Any mounting of the product should follow the manufacturer's instructions, and should use a mounting accessory recommended by the manufacturer.
9. A product and cart combination should be moved with care. Quick stops, excessive force, and uneven surfaces may cause the appliance and cart combination to overturn.

See figure:



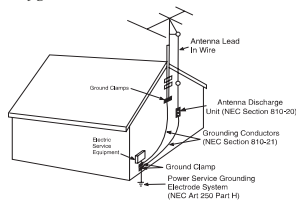
10. **Ventilation** - Slots and openings in the cabinet are provided for ventilation and to ensure reliable operation of the product and to protect it from overheating, and these openings must not be blocked or covered. The openings should never be blocked by placing the product on a bed, sofa, rug, or other similar surface. This product should not be placed in a built-in installation such as a bookcase or rack unless proper ventilation is provided or the manufacturer's instruction have been adhered to.
11. **Power Sources** - This product should be operated only from the type of power source indicated on the marking label. If you are not sure of the type of power supply to your home, consult your product dealer or local power company. For products intended to operate from battery power, or other sources, refer to the operating instruction.
12. **Grounding or Polarization** - This product may be equipped with a polarized alternating-current line plug (a plug having one blade wider than the other). This plug will fit into the power outlet only one way. This is a safety

feature. If you are unable to insert the plug fully into the outlet, try reversing the plug. If the plug should still fail to fit, contact your electrician to replace your obsolete outlet. Do not defeat the safety purpose of the polarizes plug.

Alternate Warnings - This product is equipped with a three-wire grounding-type plug, a plug having a third (grounding) pin. This plug will only fit into a grounding-type power outlet. This is a safety feature. If you are unable to insert the plug into the outlet, contact your electrician to replace your obsolete outlet. Do not defeat the safety purpose of the grounding-type plug.

13. **Power-Cord Protection** - Power supply cords should be routed so that they are not likely to be walked on or pinched by items placed upon or against them, paying particular attention to cords at plugs, convenience receptacles, and point where they exit from the product.
14. **Protective Attachment Plug** - The product is equipped with an attachment plug having overload protection. This is a safety feature. See Instruction Manual for replacement or resetting of protective device. If replacement of the plug is required, be sure the service technician has used a replacement plug specified by the manufacturer that has the same overload protection as the original plug.
15. **Outdoor Antenna Grounding** - If an outside antenna is connected to the receiver, be sure the antenna system is grounded so as to provide some protection against voltage surges and built-up static charges. Article 810 of the National Electrical Code, ANSI/NFPA 70, provides information with regard to proper grounding of the mast and supporting structure, grounding of the mast and supporting structure, grounding of the lead-in wire to an antenna-discharge unit, size of grounding conductors, location of antenna-discharge unit, connection to grounding electrodes, and requirements for the grounding electrode.

See figure:



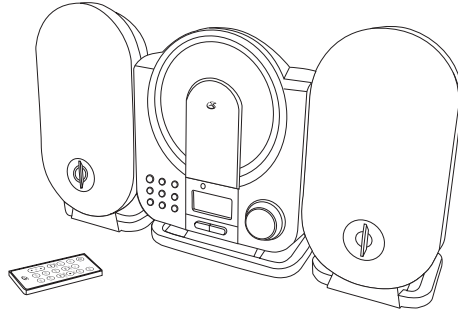
16. **Lightning** - For added protection for this product during a lightning storm, or when it is left unattended and unused for long periods of time, unplug it from the wall outlet and disconnect the antenna or cable system. This will prevent damage to the product due to lightning and power-line surges.
17. **Power Lines** - An outside antenna system should not be located in the vicinity of overhead power lines or other electric light or power circuits, or where it can fall into such power lines or circuits. When installing an outside antenna system, extreme care should be taken to keep from touching such power lines or circuits as contact with them might be fatal.
18. **Overloading** - Do not overload wall outlets, extension cords, or integral convenience

receptacles as this can result in a risk of fire or electric shock.

19. **Object and Liquid Entry** - Never push objects of any kind into this product through openings as they may touch dangerous voltage points or short-out parts that could result in a fire or electric shock. Never spill liquid of any kind on the product.
20. **Servicing** - Do not attempt to service this product yourself as opening or removing covers may expose you to dangerous voltage or other hazards. Refer all servicing to qualified service personnel.
21. **Damage Requiring Service** - Unplug this product from the wall outlet and refer servicing to qualified service personnel under the following conditions:
 - a) When the power-supply cord or plug is damaged,
 - b) If liquid has been spilled, or objects have fallen into the product,
 - c) If the product has been exposed to rain or water,
 - d) If the product does not operate normally by following the operating instructions. Adjust only those controls that are covered by the operating instructions as an improper adjustment of other controls may result in damage and will often require extensive work by a qualified technician to restore the product to its normal operation.
 - e) If the product has been dropped or damaged in any way, and
 - f) When the product exhibits a distinct change in performance - this indicates a need for service.
22. **Replacement Parts** - When replacement parts are required, be sure the service technician has used replacement parts specified by the manufacturer or have the same characteristics as the original part. Unauthorized substitutions may result in fire, electric shock, or other hazards.
23. **Safety Check** - Upon completion of any service or repairs to this product, ask the service technician to perform safety checks to determine that the product is in proper operating condition.
24. **Wall or Ceiling Mounting** - The product should be mounted to a wall or ceiling only as recommended by the manufacturer.
25. **Heat** - The product should be situated away from heat sources such as radiators, heat registers, stoves, or other products (including amplifiers) that produce heat. Battery shall not be exposed to excessive heat such as sunshine, fire, or the like.
26. **Main plug** is used as disconnect device and it should remain readily operable during intended use. In order to disconnect the apparatus from the mains completely, the mains plug should be disconnected from the mains socket outlet completely.
27. Excessive sound pressure from earphones and headphones can cause hearing loss.

In the Box

- HC208B
- Remote Control
- Documentation

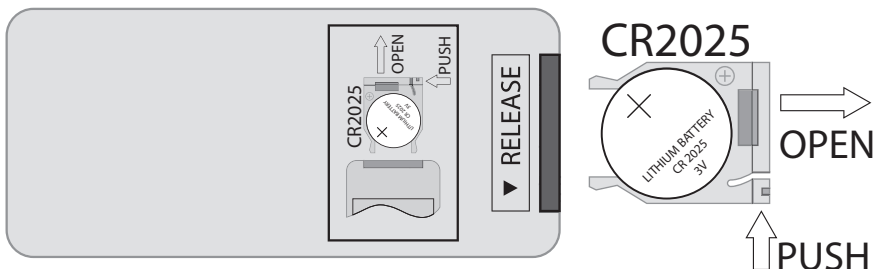


Features

- Vertical-Load Disc Player
- Plays CD/CD-R/CD-RW Audio Tracks
- AM/FM Radio with Digital Readout
- Digital Volume Control
- Blue Backlit LCD Display
- Digital Clock
- Full-Range Stereo Speakers
- Stereo Line-In Jack for other Audio Player, 3.5mm type
- Aux-In Jack, RCA type
- Stereo Headphone Jack
- Remote Control
- AC-Power: Built-in AC Line Cord
- Removable Stands / Wall-Mountable

Changing the Remote Battery

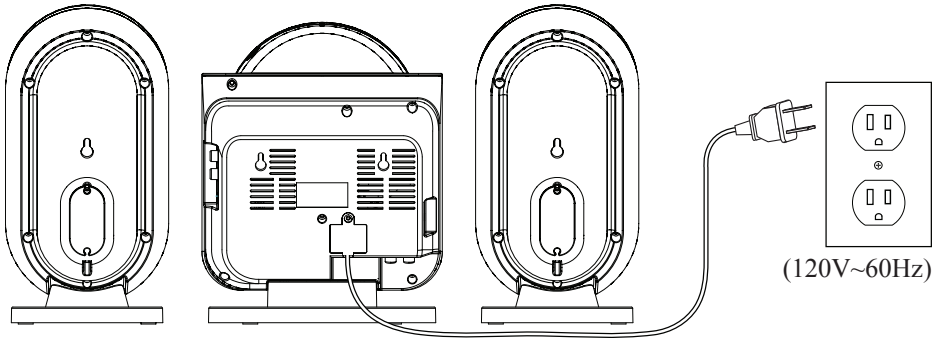
WARNING: Danger of explosion if the remote control's batteries are incorrectly installed. Replace only with the same or equivalent battery.



1. Push the Release Button and pull out the Battery Compartment to access the battery.
2. Replace the old battery with an equivalent new battery (CR2025).
3. The positive side of the battery, as indicated by a plus symbol, must be facing up when inserted into the remote.

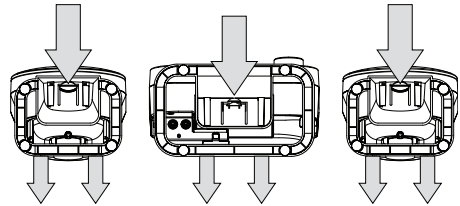
Powering the Unit

The unit is powered by connecting the attached AC Cord to a standard AC Outlet (120V~60Hz)



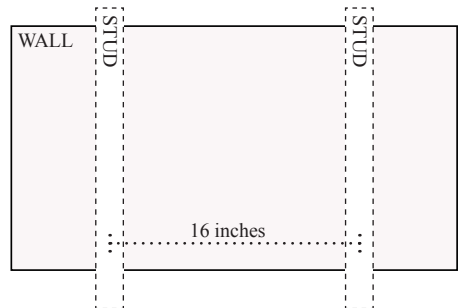
Mounting the Unit to a Wall

1. Remove the table stand from the unit by pulling the tabs, located on the bottom of the unit and speakers, away from and towards the back of the unit.
2. After the stands are removed from the speakers and the main unit, designate a location for the unit to hang.
3. The speakers can be held by a single nail or screw and the main unit is held by two nails or screws.



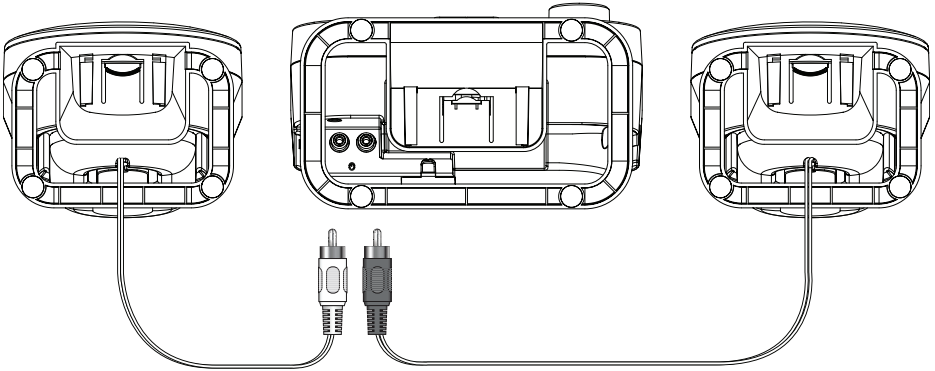
Be sure to drill or nail into the studs of the wall to ensure a firm and sturdy hold. Most houses have the wall studs spaced on sixteen inch centers.

To ensure a reliable and sturdy installation, please consult a professional installer before mounting the unit to a wall.



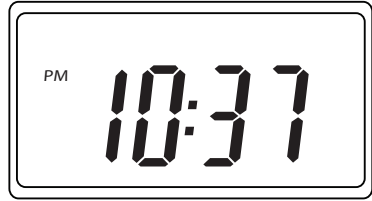
Connecting the Speakers

1. The plug attached to the Right Speaker is red, and the plug for the Left Speaker is white.
 2. These plug colors correspond with the **Speaker Output** on the bottom of the unit.
 3. Plug the red plug, from the Right Speaker, into the red **Speaker Output**, and plug the white plug, from the Left Speaker, into the white **Speaker Output**.
 4. Audio played from the unit will now be heard through the connected speakers.
-



Setting the Clock

1. Power the unit off by pressing the **Standby Button**.
2. Press and hold the **CLK Set Button**.
The hour will begin to blink, indicating that it can be edited.
3. Press the **Skip/Search Buttons** to adjust the hour.
4. Press the **CLK Set Button**.
The minute will begin to blink, indicating that it can be edited.
5. Press the **Skip/Search Buttons** to adjust the minute.
6. Press the **CLK Set Button**.



Using the Sleep Timer

1. With the unit powered on, press the **Sleep Button** consecutively to set the sleep timer from 10 to 90 minutes (in ten minute increments) or to turn the sleep timer off.
2. When the sleep timer is set, the sleep indicator in the LCD display will be present.
3. After the sleep time has expired, the unit will power off.



Tuning the AM/FM Radio

1. Power the unit on by pressing the **Standby Button**.
2. Press the **Function Button** to switch the unit to AM/FM Radio Mode.

An "AM" or "FM" will appear in the LCD display to indicate AM/FM Radio Mode.

3. Press the **Stop/Band Button** to switch between AM or FM radio.
4. Turn the **Tuning Dial** to adjust the frequency for the AM and FM radio.

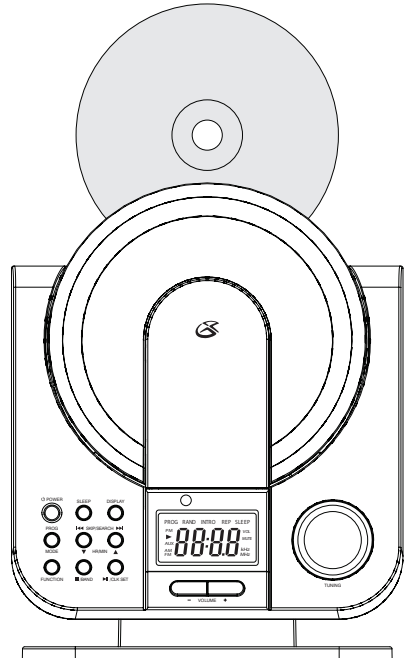


Playing a CD

1. Power the unit on by pressing the **Standby Button**.
2. Open the CD Door using the semi-circular notch on the top of the unit, and insert a CD or CD-R/RW. Close the CD Door.
3. Press the **Function Button** to switch to CD Mode.

Initially, CD Mode will be indicated by flashing dashes in the LCD display. When the CD loads, these dashes will be replaced by track numbers.

4. Press the **Play Button** to play the loaded CD.
5. Press the **Skip/Search Buttons** to skip through tracks. Press and hold the **Skip/Search Buttons** to search through individual tracks on the CD.



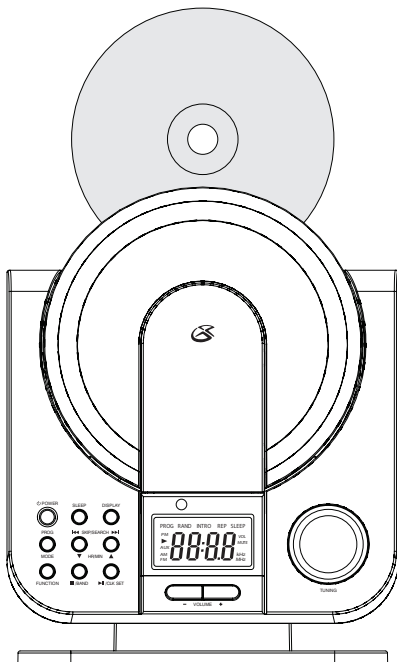
Programming a CD

1. Power the unit off by pressing the **Standby Button**.
 2. Load a CD, and switch to CD Mode. (*See Playing a CD on page 7*)
 3. Press the **Program Button**.
-

Two numbers will appear on the LCD display. The number on the left represents the program track number and the number on the right represents the CD track number. The CD track will blink, indicating that it can be edited.

4. Press the **Skip/Search Buttons** to adjust the CD track.
 5. Press the **Program Button** to set the selected CD track to the program track number.
-

Up to 20 CD tracks can be programmed.



Using the Line Input

When connecting two products using an RCA Cable, match the colored ports with the same colored connection. (Red to Red, White to White, and Yellow to Yellow)

1. Plug one end of a 3.5 mm Cable (not included) or a 3.5 mm - RCA Cable (not included) into the **Line Input** on the unit.
2. Plug the other end of the 3.5 mm Cable into the audio output/headphone output on an Mp3 Player or Other Audio Source.

When the Line Input is connected, the Aux Input will be disabled.

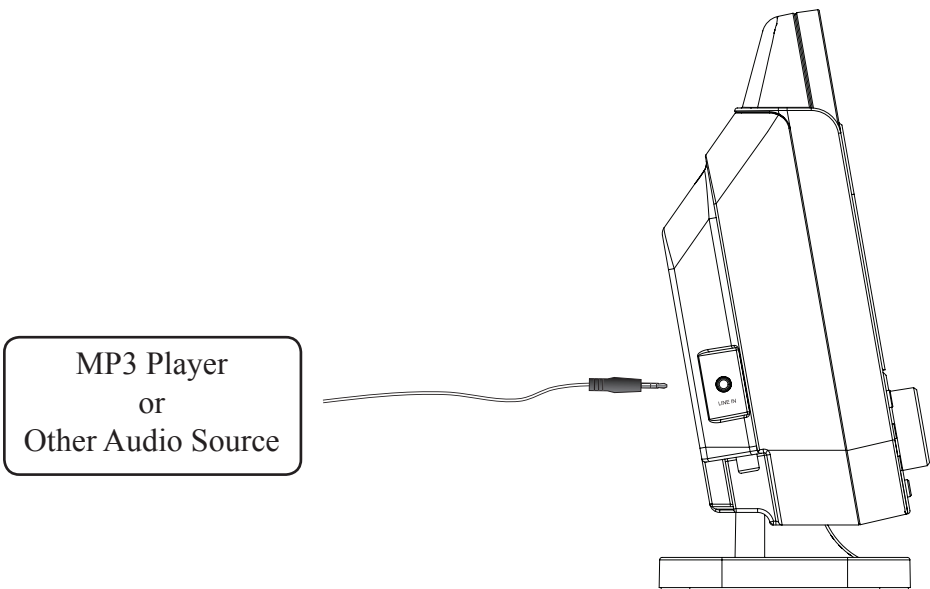
3. Press the **Standby Button** to turn the unit on.
4. Press the **Function Button** to switch the unit to Aux Mode.

The word "Aux" will appear in the LCD Display to indicate that the unit is in Aux Mode.

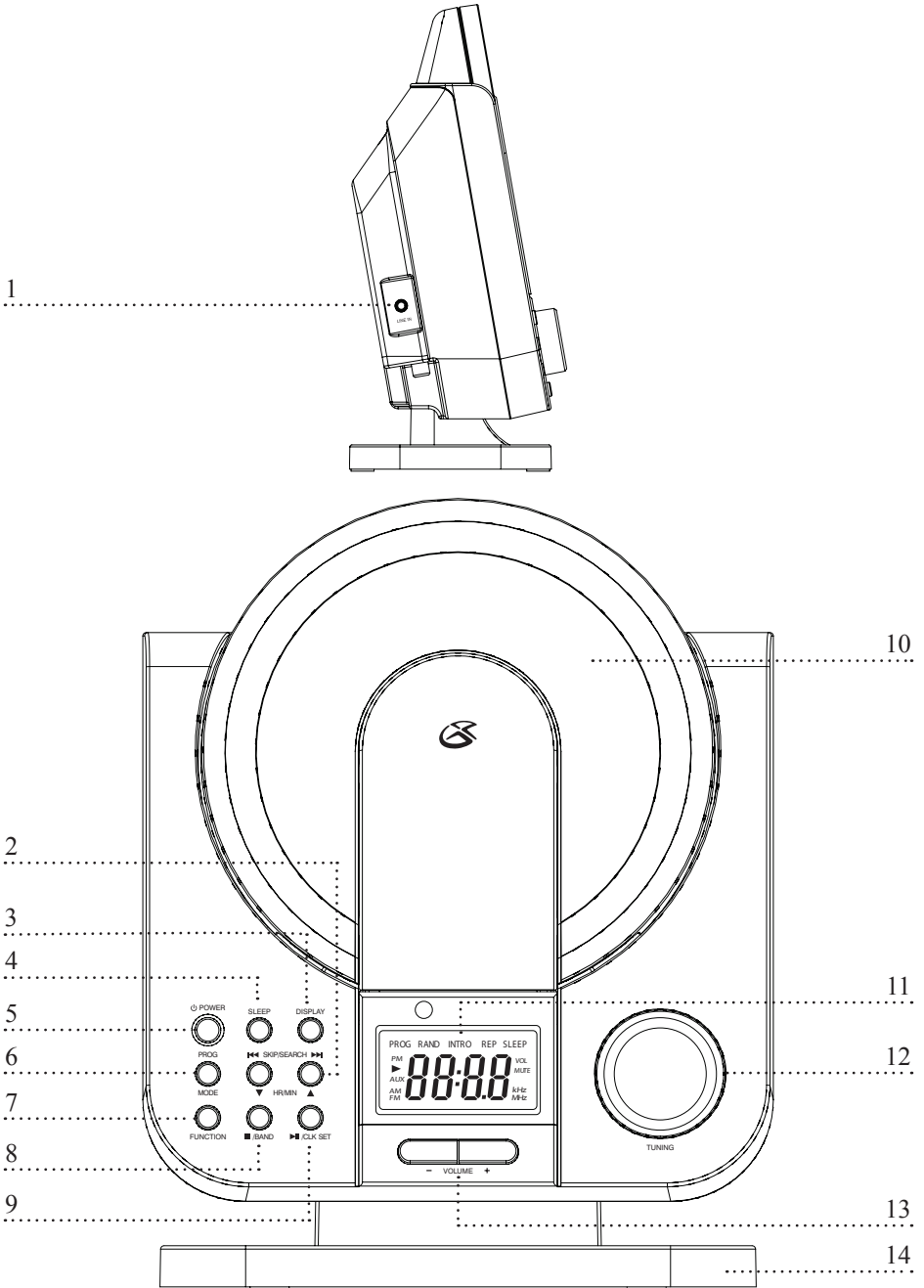
5. Audio played from the Mp3 Player or Other Audio Source will now be heard on the unit.

If connecting to the headphone output of an audio source, the source's volume controls may need to be adjusted for optimal sound.

The unit must be connected to speakers via the Speaker Output in order to output



Controls



Definitions

1 Line Input

Use the Line Input to connect the unit to an MP3 Player or other audio source.

2 Skip/Search/HR/MIN/DN/UP Buttons

Press the Skip/Search/HR/MIN/DN/UP Buttons to skip or search through CD tracks or to adjust the hour and minute when setting the clock.

3 Display Button

Press the Display Button to switch between the current function and clock on the LCD display.

4 Sleep Button

Press the Sleep Button consecutively to set the sleep timer from 10 to 90 minutes (in ten minute increments) or to turn the sleep timer off.

5 Standby Button

Press the Standby Button to turn the unit off or on.

6 Program/Mode Button

In stop mode, press the Program Button to program up to 20 CD tracks to play in a particular order. In play mode, press the Mode Button to set the CD to repeat a single track or entire album, or to set the CD to play in random or intro mode.

7 Function Button

Press the Function Button to switch between Radio, Aux, and CD Mode.

8 Stop/Band Button

Press the Stop/Band Button to stop a CD during play or to switch between AM and FM in Radio Mode.

9 Play/CLK Set

Press the Play Button to play a CD. Press and hold the CLK Set Button, when the unit is off, to set the clock.

10 CD Door

Manually open and close the CD Door to load CDs or CD-R/RW

11 LCD Display

The LCD Display displays unit/function information and the time.

12 Tuning Dial

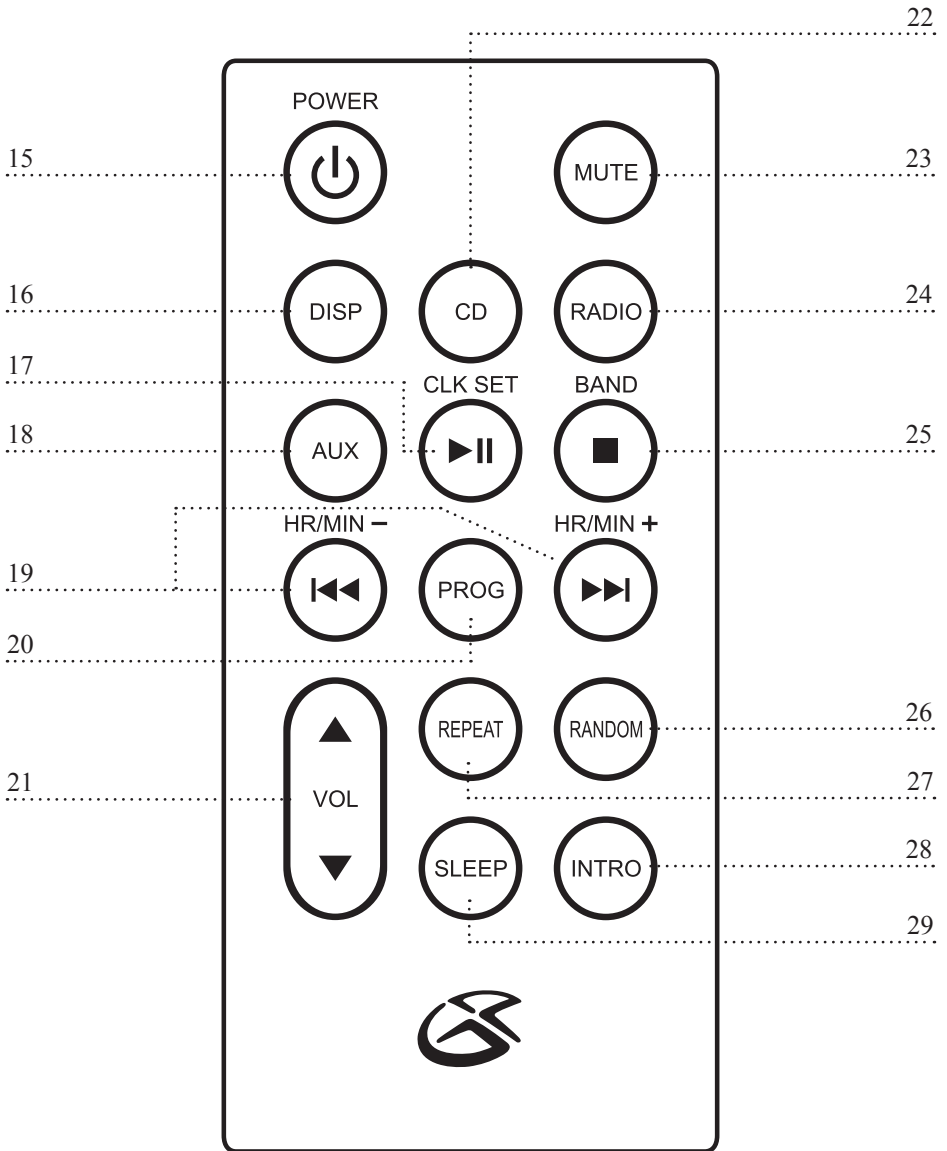
Use the Tuning Dial to adjust the AM and FM radio frequency.

13 Volume Buttons

Use the Volume Buttons to adjust the volume of audio output from the unit.

14 Table Stand

The unit's Table Stand can be removed when hanging the unit on a wall.



Definitions

15 Standby Button

Press the Standby Button to turn the unit off and on.

16 Display Button

Press the Display Button to switch between the current function and the time on the LCD display.

17 Play/Pause/CLK Set Button

Press the Play/Pause Button to play and pause a CD. Press and hold the CLK Set Button to adjust the clock.

18 Aux Button

Press the Aux Button to enter Aux Mode.

19 Skip/Search/HR/MIN/DN/UP Buttons

Press the Skip/Search/HR/MIN/DN/UP Buttons to skip or search through CD tracks or to adjust the hour and minute when setting the clock.

20 Program Button

Press the Program Button to program up to 20 CD tracks to play in a particular order.

21 Volume Button

Use the Volume Buttons to adjust the volume of audio output from the unit.

22 CD Button

Press the CD Button to switch to CD Mode.

23 Mute Button

Press the Mute Button to decrease the audio output volume entirely.

24 Radio Button

Press the Radio Button to switch the unit to Radio Mode.

25 Stop/Band Button

Press the Stop/Band Button to stop a CD during play or to switch between AM and FM in Radio Mode.

26 Random Button

Press the Random Button to play tracks from a CD in a random order.

27 Repeat Button

Press the Repeat Button to repeat an individual song or to repeat an entire album.

The Repeat Indicator on the LCD Display will blink when repeating an individual song and be steady when repeating an entire album.

28 Intro Button

Use the Intro Button to sample the first 10 seconds of each song played from a CD.

29 Sleep Button

Press the **Sleep Button** consecutively to set the sleep timer from 10 to 90 minutes (in ten minute increments) or to turn the sleep timer off.



Service Information

Address 2116 Carr Street, St. Louis MO, 63106

Phone 1-314-621-2881

Fax 1-314-588-1805

Email prodinfo@gpx.com

Website www.gpx.com

To download this Instruction Manual in English, Spanish, or French visit the Support section at www.gpx.com.

Para descargar este manual de instrucción en inglés, español, o francés visite la sección de la ayuda en www.gpx.com.

Pour télécharger ce manuel d'instruction en anglais, espagnol, ou le Français visitez la section de soutien à www.gpx.com.

Free Manuals Download Website

<http://myh66.com>

<http://usermanuals.us>

<http://www.somanuals.com>

<http://www.4manuals.cc>

<http://www.manual-lib.com>

<http://www.404manual.com>

<http://www.luxmanual.com>

<http://aubethermostatmanual.com>

Golf course search by state

<http://golfingnear.com>

Email search by domain

<http://emailbydomain.com>

Auto manuals search

<http://auto.somanuals.com>

TV manuals search

<http://tv.somanuals.com>