



Home Music System *HMD3817DT* INSTRUCTION MANUAL



Warnings and Precautions

TO PREVENT FIRE OR SHOCK HAZARDS, DO NOT EXPOSE THIS UNIT TO RAIN OR MOISTURE.



This symbol, located on back or bottom of the unit, is intended to alert the user to the presence of uninsulated “dangerous voltage” within the product’s enclosure that may be of sufficient magnitude to constitute a risk of electric shock to persons.



This symbol, located on back or bottom of the unit, is intended to alert the user to the presence of important operating and maintenance (servicing) instructions in the literature accompanying the appliance.



This product utilizes a Class 1 laser to read Compact Discs. This laser Compact Disc Player is equipped with safety switches to avoid exposure when the CD door is open and the safety interlocks are defeated. Invisible laser radiation is present when the CD Player’s lid is open and the system’s interlock has failed or been defeated. It is very important that you avoid direct exposure to the laser beam at all times. Please do not attempt to defeat or bypass the safety switches.

Any use of the controls or an adjustment to the procedures other than those specified herein may result in hazardous radiation.

CAUTION: TO PREVENT ELECTRIC SHOCK, MATCH WIDE BLADE OF PLUG TO WIDE SLOT, FULLY INSERT.

To reduce the risk of electric shock, do not remove cover (or back). There are no user-serviceable parts inside. Please refer any servicing to qualified service personnel.

WARNING: Changes or modifications to this unit not expressly approved by the party responsible for compliance could void the user’s authority to operate the equipment.

WARNING: Danger of explosion if the remote control’s batteries are incorrectly installed. Replace only with the same or equivalent battery.

WARNING: The remote control’s button cell battery contains mercury. Do not put in the trash, instead recycle or dispose of as hazardous waste

NOTE: This equipment has been tested and found to comply with the limits for a Class B digital device, pursuant to Part 15 of the FCC Rules.

These limits are designed to provide reasonable protection against harmful interference in a residential installation. This equipment generates, uses, and can radiate radio frequency energy and, if not installed and used in accordance with the instructions, may cause harmful interference to radio communications. However, there is no guarantee that interference will not occur in a particular installation. If this equipment does cause harmful interference to radio or television reception, which can be determined by turning the equipment off and on, the user is encouraged to try to correct the interference by one or more of the following measures:

- Reorient or relocate the receiving antenna.
- Increase the separation between the equipment and receiver.
- Connect the equipment into an outlet on a circuit different from that to which the receiver is connected.
- Consult the dealer or an experienced radio/TV technician for help.

Important Safety Instructions

1. Read these instructions.
2. Keep these instructions.
3. Heed all warnings.
4. Follow all instructions.
5. Do not use this apparatus near water.
6. Clean only with dry cloth.
7. Do not block any ventilation openings. Install in accordance with the manufacturer's instructions.
8. Do not install near any heat sources such as radiators, heat registers, stoves, or other apparatus (including amplifiers) that produce heat.
9. Do not defeat the safety purpose of the polarized or grounding-type plug. A polarized plug has two blades with one wider than the other. A grounding type plug has two blades and a third grounding prong. The wide blade or the third prong are provided for your safety. If the provided plug does not fit into your outlet, consult an electrician for replacement of the obsolete outlet.

10. Protect the power cord from being walked on or pinched particularly at plugs, convenience receptacles, and the point where they exit from the apparatus.

11. Only use attachments/accessories specified by the manufacturer.

12. Use only with the cart, stand, tripod, bracket, or table specified by the manufacturer, or sold with the apparatus. When a cart is used, use caution when moving the cart/apparatus combination to avoid injury from tip-over.



PORTABLE
CART
WARNING

13. Unplug this apparatus during lightning storms or when unused for long periods of time.

14. Refer all servicing to qualified service personnel. Servicing is required when the apparatus has been damaged in any way, such as power-supply cord or plug is damaged, liquid has been spilled or objects have fallen into the apparatus, the apparatus has been exposed

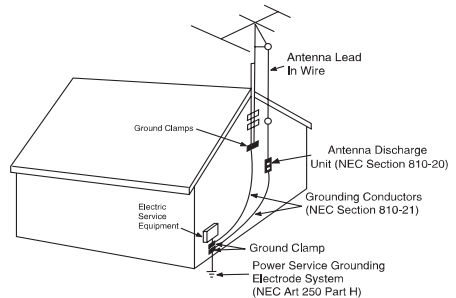
15. Only connect to the type of house-hold power supply as indicated in the operating instructions and rating label.

16. Do not overload wall outlets or extension cords as this can result in a risk of fire or electric shock.

17. Never push objects of any kind or spill liquid into this product through openings as this could result in a risk of fire or electric shock.

18. When replacement parts are required, be sure the service technician has used replacement parts specified by the manufacturer. Ask the service technician to perform safety checks to ensure proper operation to avoid possible fire, electric shock, or other hazards.

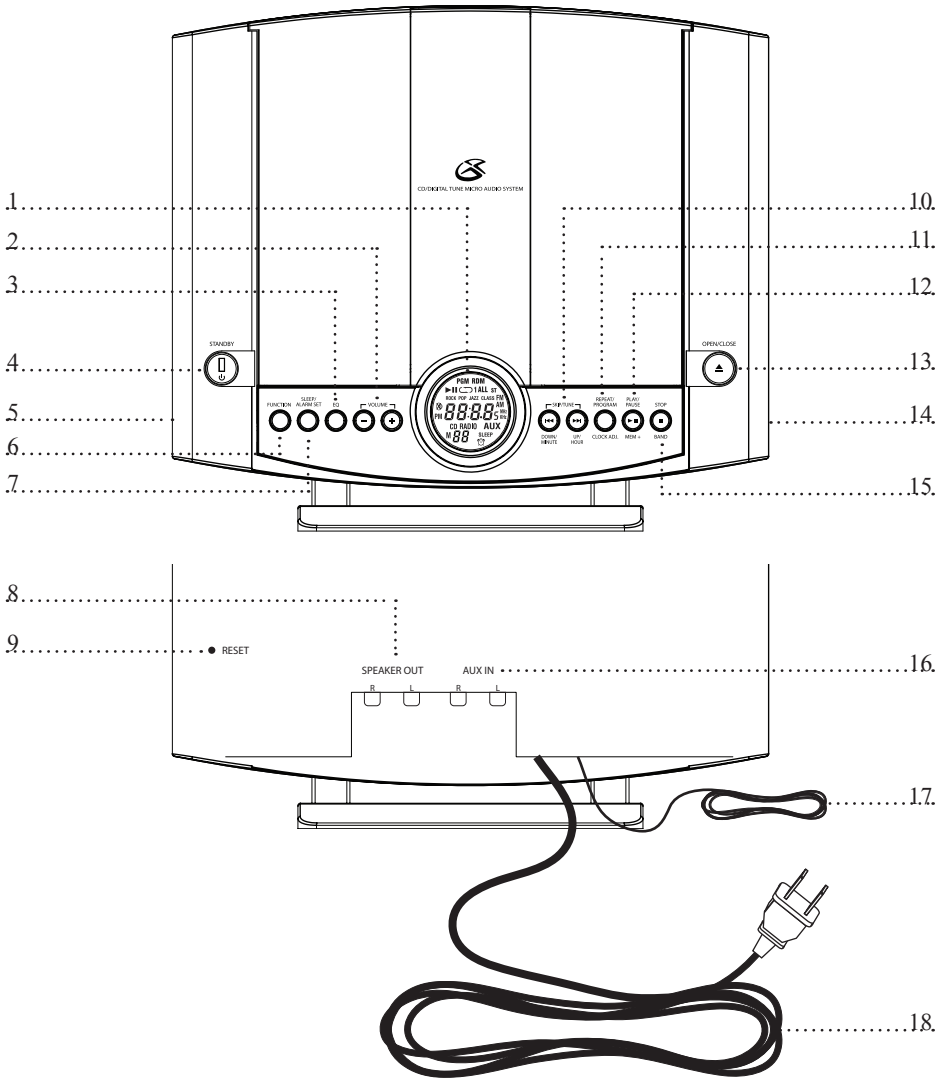
19. If an outside antenna or cable system is connected to the product, be sure the antenna or cable system is grounded so as to provide some protection against voltage surges and built-up static charges. Article 810 of the National Electrical Code, ANSI/NFPA 70, provides information with regard to proper grounding of the mast and supporting structure, grounding of the lead-in wire to an antenna connection to grounding electrodes, and requirements for the grounding electrode.



20. The product should be mounted to a wall or ceiling only as recommended by the manufacturer.

21. Where the AC plug or an appliance coupler is used as the disconnect device, the disconnect device shall remain readily operable.

Features



Features Defined

- 1 **LCD Display** The LCD displays the unit's current function, the clock, and alarm times.

- 2 **VOLUME** Press the VOLUME buttons to increase(+) or decrease(-) the unit's volume.

- 3 **EQ** Press the EQ button to switch between Rock, Pop, Jazz, or Classic equalizer settings.

- 4 **STANDBY** Press the STANDBY button to put the unit in standby mode or to turn the unit on.
 - *When the unit is in standby mode, the STANDBY button will be red.*

- 5 **LINE IN** Connect an external audio source to the LINE IN port to play music from that external source through the unit's speakers. (Requires a 3.5mm line in cable, included)

- 6 **FUNCTION** Press the FUNCTION button to switch between CD, Radio, and AUX modes.

- 7 **SLEEP/ALARM SET** Press the SLEEP button to set the sleep timer. Press the ALARM SET button, in standby mode, to set the alarm.

- 8 **SPEAKER OUT** Connect external speakers (included) to the R/L speaker out ports to amplify music from the unit.

- 9 **RESET** Using a paperclip or like object, press the RESET button to restore the unit to its factory default settings.

- 10 **SKIP/TUNE (DOWN/MINUTE, UP/HOUR)** Press the SKIP/TUNE buttons to adjust the radio frequency, change the CD track, or adjust the minute and hour on the clock or alarm time settings.

- 11 **REPEAT/PROGRAM/CLK ADJ.** Press the REPEAT button once to repeat a single song. Press the REPEAT button twice to repeat an entire album. Press the PROGRAM button to activate the CD programming function (see operations). In standby mode, press the CLK ADJ. button to activate the clock adjust function (see operations).

- 12 **PLAY/PAUSE/MEM +** Press the PLAY/PAUSE button to play and pause a CD. In Radio mode, press the MEM+ button to cycle through saved radio stations.

- 13 **OPEN/CLOSE** Press the OPEN/CLOSE button to open and close the CD door.

- 14 **HEADPHONE JACK** Use the headphone jack to connect headphones to the unit.

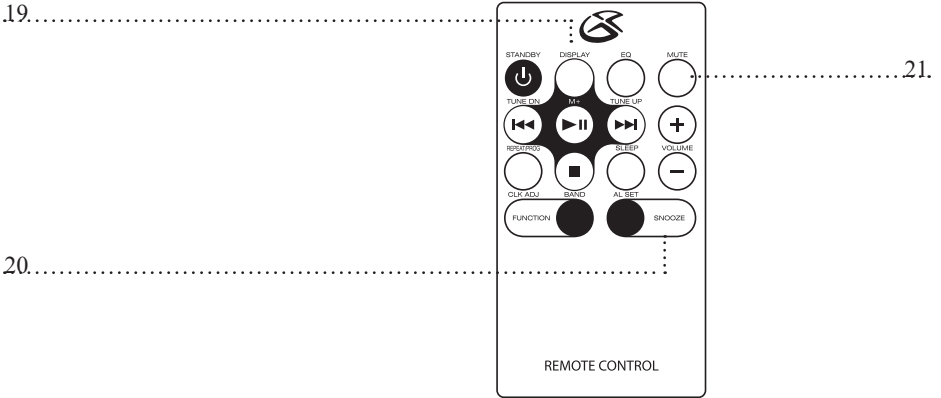
- 15 **STOP/BAND** Press the STOP button to stop a CD during play. Press the BAND button to switch between AM and FM bands when in radio mode.

- 16 **AUX IN** Connect an external audio source to the AUX IN port to play music from that external source through the unit's speakers. (Requires a RCA Cable, not included)

- 17 **FM Antenna** The FM wire antenna provides reception for the FM band radio.

- 18 **AC Cord** Plug the attached AC Cord into a standard outlet to power the unit.

Peripherals



Peripherals Defined

- 19 DISPLAY** Press the DISPLAY button to view the clock on the LCD display.
- 20 SNOOZE** After the alarm sounds, press the SNOOZE button to delay the alarm for 10 minutes.
- 21 MUTE** Press the mute button to decrease the volume entirely.

Operations

Setting the Clock

- Press the STANDBY button until the unit is in standby mode.
 - When the unit is in standby mode, the STANDBY button will be red.
- Press the CLK ADJ. button. The time will begin to blink.
- Press the HOUR and MINUTE buttons to adjust the hour and minute.
- Press the CLK ADJ. button to set the adjusted time.

Setting the Alarm

- Press the STANDBY button until the unit is in standby mode.
 - When the unit is in standby mode, the STANDBY button will be red.
- Press the ALARM SET button. The time will begin to blink.
- Press the FUNCTION button to select CD, Radio, AUX, or Buzzer.
 - For Buzzer mode, the display will not show any indication.
- Press the HOUR and MINUTE buttons to adjust the hour and minute.
- Press the ALARM SET button to set the adjusted alarm time.
 - An alarm clock icon will appear on the LCD Display when the alarm is set.

Operations

Setting the Sleep Timer

- a. Press the STANDBY button until the unit is turned on.
 - *When the unit is on, the STANDBY button will not be illuminated red.*
- b. Press and hold the SLEEP button until “SLEEP” appears on the LCD. Now, press the SLEEP button consecutively to adjust the sleep time between 10 and 90 minutes.
 - *After the allotted time has expired, the unit will go into Standby mode.*

Tuning the Radio

- a. Press the STANDBY button until the unit is turned on.
 - *When the unit is on, the STANDBY button will not be illuminated red.*
- b. Press the FUNCTION button until the unit is in Radio mode, as indicated by “Radio” on the LCD Display.
- c. Press the BAND button to select AM or FM radio bands.
- d. Press the SKIP/TUNE buttons to adjust the radio frequency.

Saving a Radio Frequency to the Memory

- a. Tune the radio to the station you want to save.
- b. Press the PROGRAM button, then select a preset number by pressing the MEM+ button.
- c. Press the PROGRAM button to save the current station to the selected memory slot.
 - *You can program up to 20 FM presets and 10 AM presets.*

Programming a CD

- a. Insert a CD into the unit, and press the FUNCTION button until the unit is in CD mode.
- c. Press the CD MODE/PROGRAM button.
 - *“PGM” and “01” will appear on the LCD display, indicating that the unit is in program mode, and it is ready for the first track to be selected.*
- d. Press the SKIP/SEARCH buttons to cycle through the tracks on the CD.
- e. Press the CD MODE/PROGRAM button to select a track.
 - *“01” will change to “02”.*
- f. Repeat steps c, d, and e until the desired CD tracks are programmed.
- g. Press the PLAY button to begin playing the programmed tracks.
 - *To review the programmed tracks, stop the CD, press the CD MODE/PROGRAM button, then press the SKIP/TUNE buttons.*

Connecting other Digital Audio Devices

- a. Connect an audio device to the AUX IN.
 - *Requires a RCA Cable, not included*
- b. Press the FUNCTION button to set the unit to AUX mode, as indicated by the LCD Display.
- c. The audio device will now play through the speakers of the player.



Service Information

Address 2116 Carr Street, St. Louis MO, 63106

Phone 1-314-621-2881

Fax 1-314-588-1805

Email prodinfo@gpx.com

Website www.gpx.com

To download this Instruction Manual in English, Spanish, or French visit the Support section at www.gpx.com.

Para descargar este manual de instrucción en inglés, español, o francés visite la sección de la ayuda en www.gpx.com.

Pour télécharger ce manuel d'instruction en anglais, espagnol, ou le Français visitez la section de soutien à www.gpx.com.

Free Manuals Download Website

<http://myh66.com>

<http://usermanuals.us>

<http://www.somanuals.com>

<http://www.4manuals.cc>

<http://www.manual-lib.com>

<http://www.404manual.com>

<http://www.luxmanual.com>

<http://aubethermostatmanual.com>

Golf course search by state

<http://golfingnear.com>

Email search by domain

<http://emailbydomain.com>

Auto manuals search

<http://auto.somanuals.com>

TV manuals search

<http://tv.somanuals.com>