

Info: The most current version of these instructions can be found online at www.grahamfield.com

Tools required: Phillips or blade screwdriver

- ⚠ **WARNING: Important! Read and understand these instructions before installing or using the Toilet Seat Riser. If you do not understand any part of these warnings, cautions or instructions, contact a healthcare professional for direction in the use of this product. If the toilet seat riser is not properly assembled and installed, personal injury and damage to the toilet seat riser could result.**
- ⚠ **WARNING: If components are damaged or missing, contact your dealer immediately. DO NOT use substitute parts. Use only Lumex replacement parts. Non-Lumex replacement parts could cause personal injury and damage to the toilet seat riser.**
- ⚠ **WARNING: This product has a weight limit of 300 lb.**
- ⚠ **WARNING: GF Health Products, Inc. assumes no responsibility for any damage or injury caused by improper assembly, installation or use of this product.**

INSTALLATION

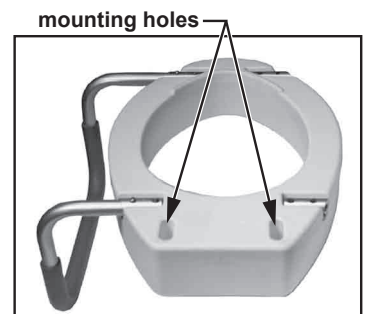
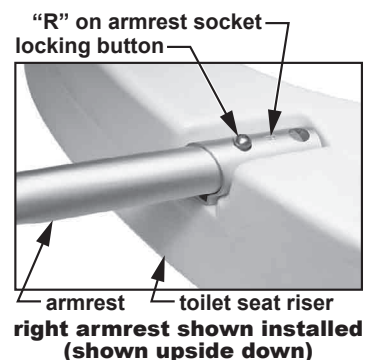
1. Remove toilet seat riser, hardware, and armrests from carton and protective packaging.
2. Install the armrests with the following steps:
 - a. Identify the right and left armrests by the **R** (Right) and **L** (Left) stamped into armrest ends.
 - b. Note that each toilet seat riser armrest socket is also stamped with an **R** or **L**, as shown at right. Insert each armrest marked with **R** or **L** into the socket with the corresponding letter.
 - c. Push each armrest into its sockets until it clicks into place.
 - d. Ensure locking buttons protrude fully from holes. Pull on armrests slightly to test proper installation. If loose, repeat step c.
3. At the toilet, lift the cover plates at top rear toilet bowl rim, exposing the bolts holding the seat and lid to the toilet bowl.
4. Use a Phillips or blade screwdriver, whichever is appropriate, to unscrew toilet seat bolts by turning counterclockwise.
5. Remove the toilet seat and lid from the toilet bowl and set them aside.
6. Place the toilet seat riser over the toilet bowl rim so that the toilet seat riser mounting holes align with the toilet rim holes.
7. Place the toilet seat and lid on top of the toilet seat riser so that the seat/lid holes align with the riser and rim holes.
8. Install a washer on one of the long bolts included in the box and insert it through the top of the toilet seat lid, toilet seat riser, and toilet bowl rim.
9. Place a washer and wing nut on the end of the long bolt that protrudes through the bottom of the toilet bowl.



6482R-2 assembled



6482ER-2 assembled



6482ER-2, one arm attached (shown upside down)



hardware

10. Use a Phillips or blade screwdriver, whichever is appropriate, to turn the bolt clockwise until toilet seat riser and toilet seat lid are snug. Do not overtighten.
11. The toilet seat riser should now be securely installed on the toilet bowl. To ensure that you have a proper fit, intentionally shake the toilet seat riser to ensure proper placement and fit. The toilet seat riser should not move; if it does, re-install.

OPERATION

⚠ WARNING: Always ensure the toilet seat riser is securely installed before use.

MAINTENANCE

⚠ WARNING: Check the toilet seat riser weekly for signs of damage or cracking. If damage or cracking is found, DO NOT use the toilet seat riser. Contact your Lumex authorized distributor immediately.

⚠ WARNING: Inspect the toilet seat riser weekly and tighten it as needed to ensure secure installation.

▲ NOTICE: Never use abrasive cleaners or scouring pads on any part of the toilet seat riser.

- To clean the toilet seat riser, wash it with soap and water or a mild detergent, then rinse it with water. Ensure the toilet seat riser is rinsed well before use.
- To clean interior of toilet seat riser, flush with warm soapy water, then drain and allow to air dry for several hours.
- If moisture accumulates inside toilet seat riser, do the following:
 - a. Remove toilet seat riser from toilet bowl.
 - b. Turn toilet seat riser upside down and tilt toward drain opening.
 - c. Rotate until drain opening is facing downward and moisture drains.
 - d. Allow toilet seat riser to air dry for several hours before re-installation.

WARRANTY

GF Health Products, Inc. warrants the Lumex 6482R-2/6482ER-2 Toilet Seat Riser as follows: Lifetime limited warranty against manufacturer's defects. If a product is deemed to be under warranty, GF Health Products, Inc. shall provide, at its option, (1) replacement of any defective part or product or (2) a credit of the original selling price made to GF Health Products, Inc.'s initial customer. The warranty does not include any labor charges incurred in replacement part(s) installation or any associated freight or shipping charges to GF Health Products, Inc.

The warranties contained herein contain all the representations and warranties with respect to the subject matter of this document, and supersede all prior negotiations, agreements and understandings with respect thereto. The recipient of this document hereby acknowledges and represents that it has not relied on any representation, assertion, guarantee, warranty, collateral contract or other assurance, except those set out in this document.



GRAHAM-FIELD
www.grahamfield.com

GF Health Products, Inc. is not responsible for typographical errors. Packaging, warranties, products and specifications are subject to change without notice. Graham-Field and Lumex are registered trademarks of GF Health Products, Inc.

© 2011 GF Health Products, Inc. • 2935 Northeast Parkway • Atlanta, GA 30360 • 770-368-4700

Free Manuals Download Website

<http://myh66.com>

<http://usermanuals.us>

<http://www.somanuals.com>

<http://www.4manuals.cc>

<http://www.manual-lib.com>

<http://www.404manual.com>

<http://www.luxmanual.com>

<http://aubethermostatmanual.com>

Golf course search by state

<http://golfingnear.com>

Email search by domain

<http://emailbydomain.com>

Auto manuals search

<http://auto.somanuals.com>

TV manuals search

<http://tv.somanuals.com>