

LUMEX®
A Graham-Field Brand



LF1600 Stand Assist Assembly and Operation Manual

**LF1600-INS-LAB-RevB07
© GF Health Products, Inc.
December 2007**

**LF1600 Stand Assist user and attendant:
Read this manual before operating the Stand Assist.
Save this manual for future reference.**

⚠ WARNING: LF1600 Stand Assist attendant: Do not operate the Stand Assist without first reading and understanding this manual. If you do not understand the warnings, cautions, and instructions provided herein, contact your healthcare professional, Graham-Field Health Products dealer, or technical representative before proceeding with the use of this product; otherwise personal injury or damage to your Stand Assist could result.

CONTENTS

1	INTRODUCTION	3
	STATEMENTS OF SIGNIFICANCE	3
2	IMPORTANT SAFETY PRECAUTIONS.....	4
	WARNINGS	4
3	HANDLING AND ASSEMBLY	5
	HANDLING.....	5
	COMPONENTS.....	5
	ASSEMBLY	7
4	OPERATION	11
5	MAINTENANCE	13
	CLEANING THE STAND ASSIST	13
6	LIMITED WARRANTY.....	14
7	INDEX	15

1 INTRODUCTION

Important safety, operating, and maintenance instructions that warrant your attention are included in this manual. Read the entire manual carefully before operating your new LF1600 Stand Assist, keep it handy for future reference, and refer to it as often as necessary to help maintain good performance standards.

The Lumex Stand Assist is a manual standing aid that requires patients to assist themselves in preparation for transport. Patients qualified to use the Stand Assist should have adequate arm strength to pull themselves upward and enough leg strength to support their own weight. Patients who meet these criteria and have difficulty walking will find the Stand Assist a useful and safe transport device. Functionally, the Stand Assist is positioned between a traditional walker and an electric sit-to-stand lift. Once the resident has positioned themselves on board, the split seat can easily be positioned securely and allow the resident to sit comfortably while a caregiver performs the transport. For residents lacking the strength to assist themselves, we recommend an electric sit-to-stand lift.

The Stand Assist is capable of the following transfers when used according to the instructions:

- Bed to chair/wheelchair
- Bed/chair/wheelchair to commode
- Room to room

The safety precautions in this manual are general warnings intended to be used only as basic guidelines. You may find it necessary to develop your own methods for safely solving frequently encountered challenges. Again, consult your professional medical advisors for their recommendations about safety methods, and never hesitate to ask for their assistance.

All information and specifications in this manual are current at the time of printing. Packaging, labeling, warranties, products, and specifications are subject to change without notice. Graham-Field Health Products is not responsible for typographical errors.

STATEMENTS OF SIGNIFICANCE

Please note the following special statements, used throughout this manual, and their significance:

Note: Provides application recommendations or other useful information to ensure that you get the most from your product.

▲ Caution: Indicates a potential hazard or unsafe practice that, if not avoided, could result in minor personal injury or product/property damage.

⚠ WARNING: Indicates a potential hazard situation or unsafe practice that, if not avoided, could result in death or serious injury.

2 IMPORTANT SAFETY PRECAUTIONS

Important safety precautions: Always follow these safety precautions when using your LF1600 Stand Assist. Failure to do so could result in personal injury to you or others or damage to your Stand Assist.

Safety requires the constant attention of the Stand Assist user and the attendant. It is extremely important to learn and always use safe methods of performing basic daily activities. Always consult your healthcare professional to determine those methods most suitable for your individual abilities.

WARNINGS

- ⚠ WARNING: Only qualified caregivers trained in the proper use of the Stand Assist should use it to transport patients.**
- ⚠ WARNING: Do not use the Stand Assist to transport patients who are unable to pull themselves upright and support their own weight.**
- ⚠ WARNING: Never use the Stand Assist to transport a patient whose weight exceeds 400 lb (180 kg).**
- ⚠ WARNING: Before using the Stand Assist for patient transport, check the Stand Assist to ensure all components are properly and securely assembled and in working order.**
- ⚠ WARNING: Do not leave a patient unattended during any part of the transport.**

3 HANDLING AND ASSEMBLY

HANDLING

GF Health Products, Inc. Freight Policy—For Your Protection, Read Carefully: The carrier accepted this merchandise “in good condition” and is responsible for safe delivery. Before signing the freight bill, inspect the shipment carefully for damage or missing pieces.

Apparent Loss or Damage: Should visual inspection show loss or damage, this **MUST** be noted on the freight bill and signed by the carrier’s agent. Failure to do so may result in the carrier failing to honor the claim. Please contact the carrier to obtain the paperwork necessary to file a claim.

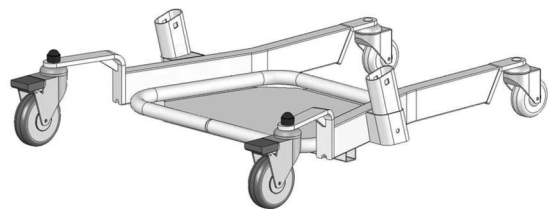
Concealed Loss or Damage: If damage is discovered after delivery is made, a concealed damage claim must be entered with the freight carrier. When this occurs, make a written request to the carrier for inspection. This request for inspection must be made within 15 days of delivery. The carrier will provide all paperwork necessary to file a concealed damage or loss claim, since such damage or loss is the carrier’s responsibility.

Unpacking and Inspection

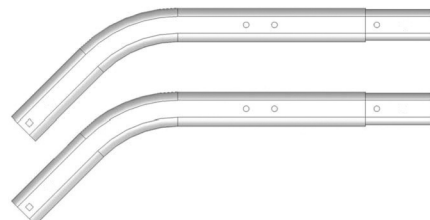
1. Check for obvious damage to the carton or its contents. If damage is evident, please notify the carrier and your Graham-Field equipment provider.
2. Remove all loose packing from the carton.
3. Carefully remove all the components from the carton.
4. Examine the Stand Assist for nicks, dents, scratches or other damages. Inspect all components.

COMPONENTS

1. Base preassembled with footplate and casters (shown at right)



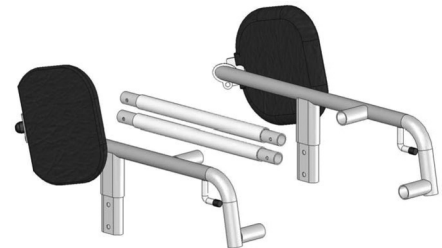
2. Two side support arm units (shown at right)



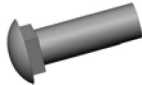








3. Kneepad assembly (shown at right)



4. Two seat pad and handle bar support units and two cross bar tubes (shown at right)

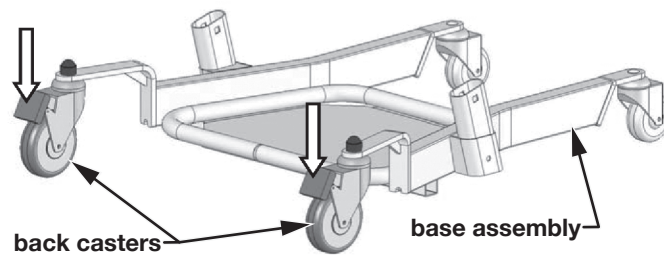


5. Fasteners and tools

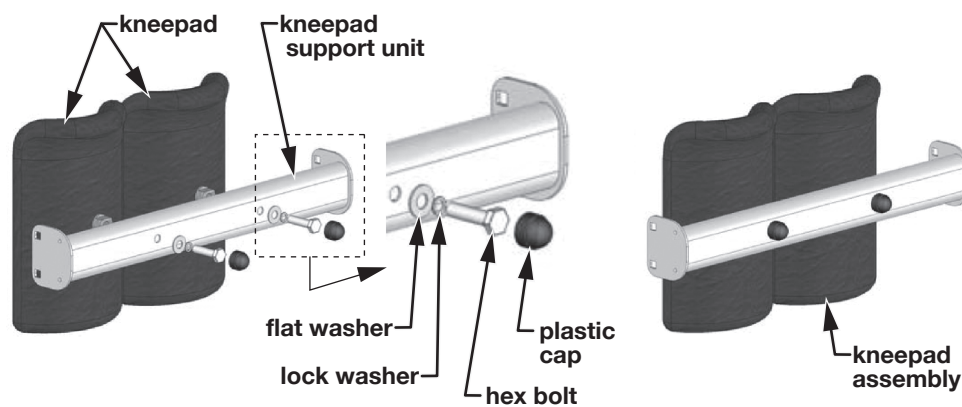
No.	Item	Description	Quantity
A1		Carriage bolt	8
A2		Hex bolt	2
A3		Button socket head cap screw	4
A4		Flat washer	10
A5		Lock washer	10
A6		Acorn nut	8
A7		Plastic cap	2
T1		Wrench	1
T2		Hex key	1

ASSEMBLY

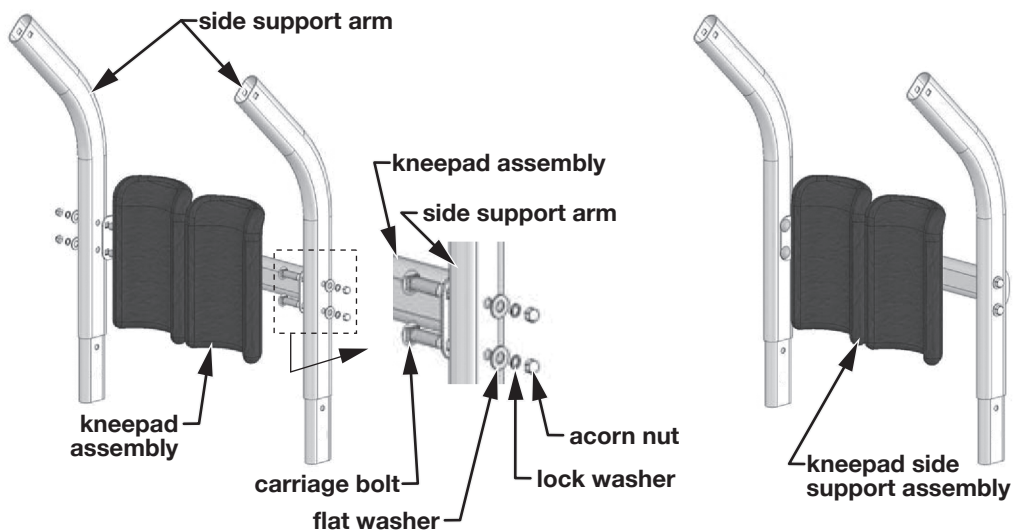
Tools required: provided wrench, provided hex key



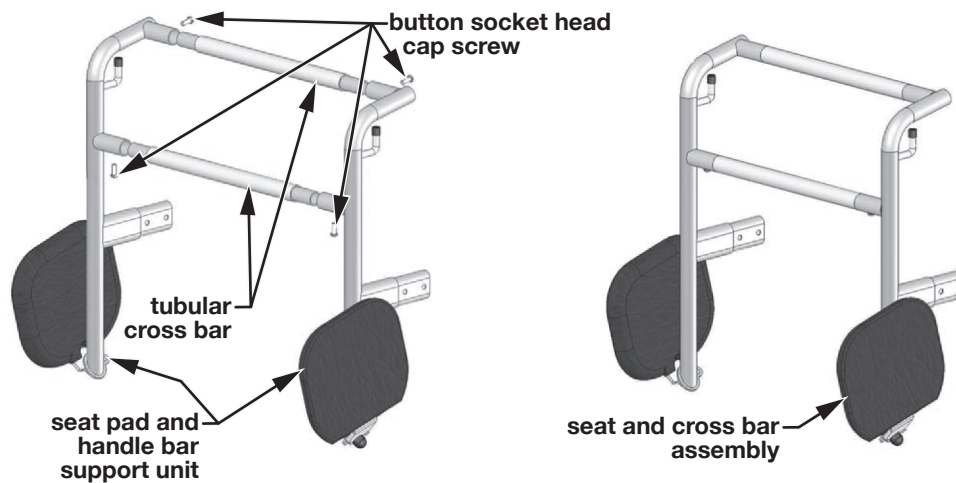
1. Place the base assembly on the floor and lock the back casters for ease of assembly, as shown above.



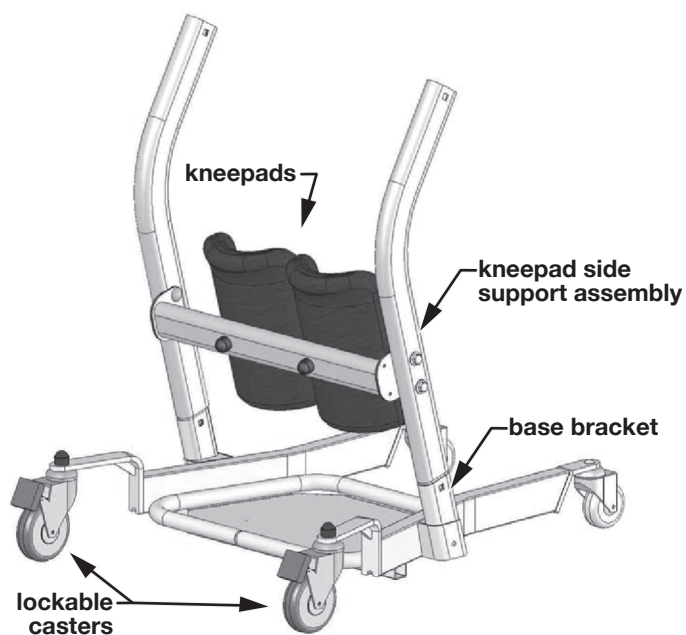
2. Insert the kneepads into the kneepad support unit. Install the two hex bolts through lock washers, flat washers, and kneepad support unit into nuts as shown above. Tighten securely with the provided wrench. Install the two plastic caps on the hex bolts. The finished assembly is shown at right above.



3. Attach the kneepad assembly to the two side support arms. Face the square holes on the side support arms inward; fit the square shoulder of each carriage bolt in the square hole, installing each carriage bolt through the kneepad assembly bracket and side support arm from the inside as shown above. Install the flat washer, lock washer, and acorn nut on the end of each carriage bolt as shown above. Do not tighten the nuts; some play in this assembly will be needed to assemble the entire unit. The finished assembly is shown at right above.



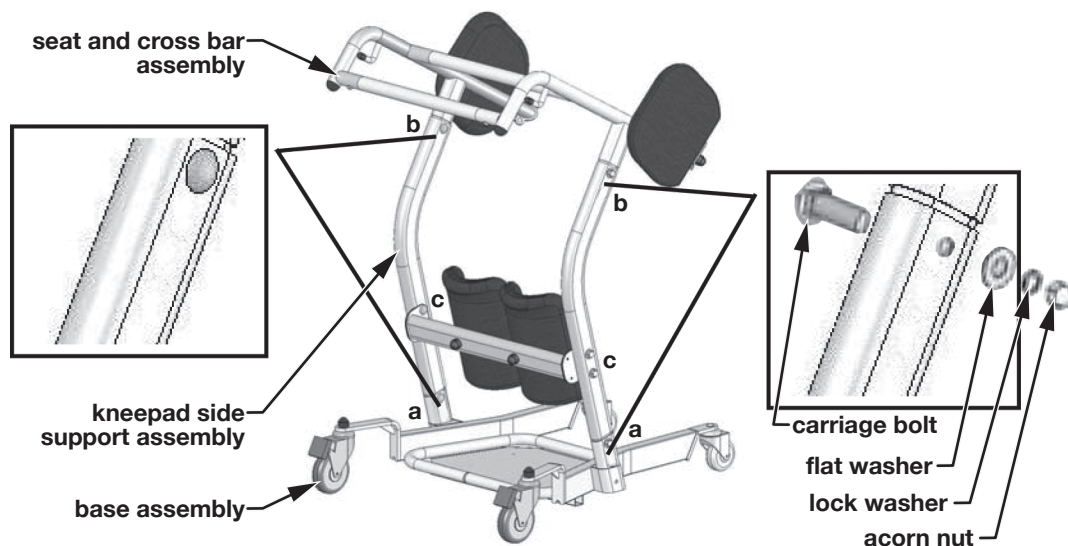
4. Insert the two tubular cross bars into the holes on the seat pad and handle bar support units as shown above. Align the small holes on the cross bar undersides with the holes in the support units. Install the four button socket head cap screws through the support units into the cross bars. Use the hex key to tighten. The finished assembly is shown at right above.



5. Insert the kneepad side support assembly into the base brackets as shown above. The kneepads and arm curvature should be facing away from the lockable casters.



6. Insert the seat and cross bar assembly into the tubes at the top of the kneepad side support assembly as shown above.



7. Fasten the seat and cross bar assembly, kneepad side support assembly, and base assembly together with carriage bolts:
 - a. Attach the kneepad side support assembly to the base assembly. Fit the square shoulder of each carriage bolt in the square hole at inside of base bracket, installing each carriage bolt through the base and kneepad side support assembly as shown above. Install the flat washer, lock washer, and acorn nut on the end of each carriage bolt as shown above. Tighten the two nuts securely using the provided wrench.
 - b. Attach the seat and cross bar assembly to the kneepad side support assembly. Fit the square shoulder of each carriage bolt in the square hole at inside of kneepad side support assembly, installing each carriage bolt through the kneepad side support assembly and seat and cross bar assembly as shown above. Install the flat washer, lock washer, and acorn nut on the end of each carriage bolt as shown above. Tighten the two nuts securely using the provided wrench.
 - c. Tighten the four nuts that attach the kneepad assembly to the two side support arms—installed in step 3—securely using the provided wrench.

⚠ WARNING: Before operating the Stand Assist, ensure that all components are properly and securely assembled and that all fasteners are secure.

⚠ WARNING: Before operating the Stand Assist, read the operation instructions.

4 OPERATION

Note: Patients who desire additional security may wish to use the optional DSLSA9 Sit-to-Stand Buttock Strap, available through your Graham-Field dealer.

The split seat units can be rotated upward to allow for patient loading then, once the patient is in an upward standing position, lowered to form a complete two-sided seat.

⚠ WARNING: Ensure that both seat units are fully lowered and form a complete seat before having the patient sit down on the Stand Assist.

⚠ WARNING: Do not leave a patient unattended during any part of the transport.

1. Raise the two split seat units so that they are parallel to the side of the Stand Assist, as shown at right.



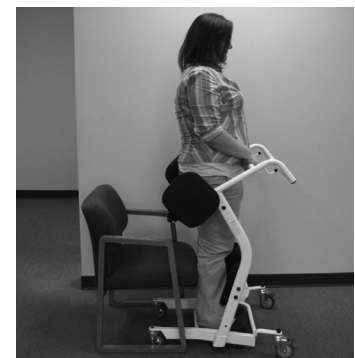
2. Have the patient positioned at the edge of the surface to be transferred from. Move the Stand Assist in front of the patient. Position the patient so that her feet are firmly on the platform and her knees and shins are in contact with the two cupped kneepads, as shown at right.



3. Lock the casters by stepping on the caster clip and pushing down, as shown at right.



4. Have the patient grasp the cross bar closest to her and, using her own strength, pull herself up into a standing position securely on the base platform, as shown at right.



5. Lower both of the split seat units down into position to form a complete seat, as shown at right.

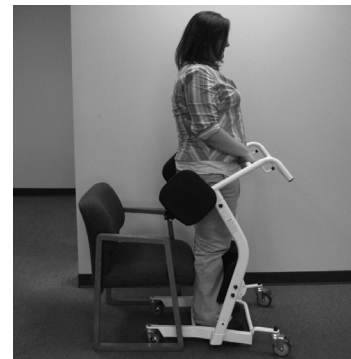
⚠ WARNING: Ensure that both seat units are lowered and form a complete seat before having the patient sit down on the Stand Assist.



6. Have the patient lower herself down onto the seat while keeping her knees and shins in the kneepads, and while continuing to hold the cross bar with both hands, as shown at right.



7. Unlock the casters. Place both hands on the cross bar furthest from the patient, as shown at right, and move the Stand Assist to the new surface. Ensure that the patient is secure and in proper position as described in Step 6 before and during transfer, as shown at right.
8. Position the Stand Assist against the new surface, ensuring that the patient will be in a position to sit down firmly and safely on the transfer surface.
9. Lock the casters.
10. Have the patient pull herself back up to a full standing position.
11. Raise the two split seat units so that they are parallel to the side of the Stand Assist, as shown at right, to allow the patient to lower herself.
12. Stand beside the patient as she lowers herself down onto the new surface.
13. Ensure that the patient is safely positioned. Unlock the casters and move the Stand Assist to storage.



5 MAINTENANCE

To ensure safety and proper use, perform the following steps monthly:

- Check all fasteners to ensure that they are securely fastened and no wear and tear is evident. Replace and tighten any worn fasteners before using the Stand Assist.
- Check the two seat assemblies to make sure they are not worn or damaged, and that the bolts are tight. Replace any worn or damaged seat components before using the Stand Assist.
- Check the casters to make sure they are in working order and are secured firmly to the Stand Assist. Replace any worn or damaged casters before using the Stand Assist.

If any maintenance procedure is not clear to you, ask your Graham-Field Health Products dealer for assistance.

▲ Caution: Improper maintenance can cause operating problems and may affect your warranty.

⚠ WARNING: Unauthorized modification or the use of non-Lumex replacement parts could change the structure of the Stand Assist, void the warranty, and create a hazardous condition resulting in serious personal injury.

CLEANING THE STAND ASSIST

Wipe off the frame at least once a week with a soft cloth. Dry the Stand Assist immediately if exposed to moisture. Clean the frame every three months with a mild soap and water solution. The frame does not need to be waxed. Do not use solvents, abrasive waxes, caustic chemicals or spray silicone. Never use abrasive cleansers; they could scratch the finish. Never use steam or high pressure cleaners. Clean upholstery and plastic components at least once a month with a mild soap and water solution.

6 LIMITED WARRANTY

This warranty has been drafted to comply with the Federal Law applicable to products manufactured after July 4, 1975. This warranty is extended only to the original purchaser/consumer or dealer/non-consumer who does not buy for resale and to no other purchaser or transferee. GF Health Products, Inc. warrants the LF1600 Stand Assist frame and parts against defects in materials and workmanship for the period of one year.

The Warranty period for the consumer commences on the first date a product is delivered to the consumer by the seller/dealer. If the product is rented or leased, the warranty period commences on the invoice date from GF Health Products, Inc. A copy of the invoice showing date of purchase must be provided when submitting warranty claims. When proof of purchase date is not provided, warranty coverage shall commence upon GF Health Products, Inc.'s invoice date to the dealer/purchaser.

If within the warranty period, the product or component part is proven to GF Health Products, Inc.'s satisfaction to be defective, GF Health Products, Inc. shall provide, at its option, one of the following: (1) repair or replacement of any defective or non-conforming part or product or (2) a credit and/or refund of the original selling price made to GF Health Products, Inc.'s initial customer on a prorated or depreciated basis. GF HEALTH PRODUCTS, INC.'S SOLE OBLIGATION AND YOUR EXCLUSIVE REMEDY UNDER THIS WARRANTY SHALL BE LIMITED TO SUCH REPAIR, REPLACEMENT, CREDIT AND/OR REFUND. This warranty does not include any labor charges incurred in replacement part(s) installation or any associated freight or shipping charges to the manufacturer. Freight charges to the manufacturer are at the expense of the consumer or purchaser, and will not be reimbursed.

LIMITATIONS AND EXCLUSIONS: The foregoing warranty shall not apply to serial numbered products if the serial number has been removed or defaced. Products subjected to negligence, abuse, misuse, improper operation, improper maintenance, improper cleaning, improper storage, or damages beyond GF Health Products, Inc.'s control are not covered by this warranty, and that evaluation shall be solely determined by GF Health Products, Inc. This warranty shall not apply to problems arising from normal wear and tear or failure to follow instructions. The warranty shall also not apply to products modified without GF Health Products, Inc.'s express written consent; nor shall it apply if parts not manufactured by GF Health Products, Inc., or if parts not complying with original equipment specifications are added to GF Health Products, Inc. products; or if the product or part is serviced by an entity not authorized by GF Health Products, Inc.

For warranty service, please contact the authorized dealer from whom you acquired your GF Health Products, Inc. product. In the event you do not receive satisfactory warranty service, please contact GF Health Products, Inc. at the address on the back cover. Do not return products to our factory without prior authorization. This warranty contains the entire agreement between the parties and supersedes any prior, contrary or additional representations or understandings, whether oral or written, concerning our warranty policy.

7 INDEX

C

Caution statement, significance 3

Cleaning 13

Components 5

H

Handling 5

I

Inspection 5

Intended use 3

Introduction 3

M

Maintenance 13

N

Note statement, significance 3

O

Operation 11

S

Safety precautions, important 4

Significance, statements of 3

Sit-to-Stand Buttock Strap, DSLSA9, optional 11

T

Tools required for assembly, list 7

Transport, perform 11

U

Unpacking 5

W

WARNING statement, significance 3

Warranty 14

LUMEX[®]

A Graham-Field Brand

Corporate Headquarters:

**GF Health Products, Inc.
2935 Northeast Parkway
Atlanta, Georgia 30360 U.S.A.**

telephone: 800-347-5678, 770-447-1609

fax: 800-726-0601, 678-291-3232



www.grahamfield.com

GF, Graham-Field, and Lumex are registered trademarks of GF Health Products, Inc.

Free Manuals Download Website

<http://myh66.com>

<http://usermanuals.us>

<http://www.somanuals.com>

<http://www.4manuals.cc>

<http://www.manual-lib.com>

<http://www.404manual.com>

<http://www.luxmanual.com>

<http://aubethermostatmanual.com>

Golf course search by state

<http://golfingnear.com>

Email search by domain

<http://emailbydomain.com>

Auto manuals search

<http://auto.somanuals.com>

TV manuals search

<http://tv.somanuals.com>