

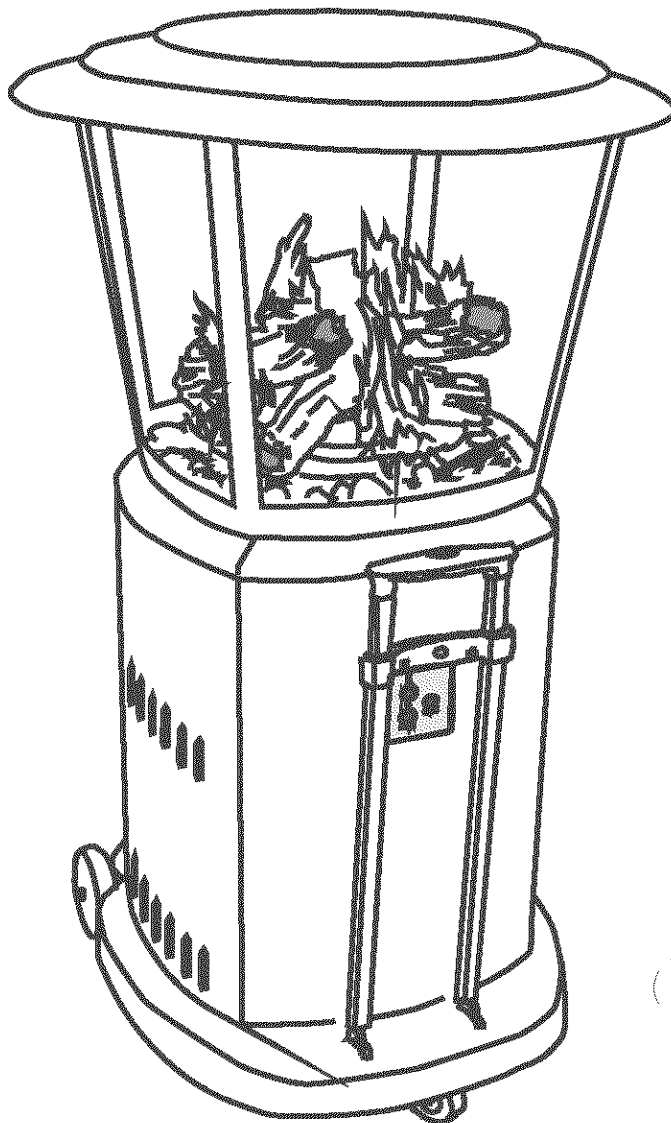
## Owner's Manual



# Remote Control Liquid Propane Gas Patio Fireplace

## For Outdoor Installation & Operation

Model 89795



Customer Support Helpline: If you have questions about assembly or operation, or if there are damaged or missing parts when you unpack this unit from the shipping box, call us 8am - 8pm CST, Monday through Friday at: **1-888-317-7642**

### **⚠ WARNING:**

Read this Owner's Manual carefully and be sure your patio fireplace is properly assembled, installed and maintained. Failure to follow these instructions could result in serious bodily injury and/or property damage. This patio fireplace is not intended to be installed in or on recreational vehicles or boats.

**Note to installer:** Leave this Owner's Manual with the consumer after delivery and/or installation.

**Note to Consumer:** Leave this Owner's Manual in a convenient place for future reference.

## Table of Contents

Warranty	2
Safety Instructions	2
Contents for Hardware Pack & Packing List	5
Parts Diagram	6
Parts List for Replacement	7
Assembly & Installation Instructions	8
Checking for Gas Leaks	11
Reading the Manifold Pressure	11
Operating Instructions	11
Maintenance	12
Error Messages	12
Electric Wire & Block Diagram	13
Specifications & Dimensions	14

## Patio Fireplace Warranty

### Full 1-Year Warranty on fireplace

For one year from the date of purchase Grand Hall Enterprise Co., Ltd. will repair or replace, at our option, any patio fireplace parts(except for paint loss, rusting and Replacement Batteries) that is defective in material or workmanship. You will be charged for shipping and handling. This warranty does not cover labor charges.

This warranty does not include:

- Batteries of controller and remote.
- Reshaping or dents in Reflector that may be caused by, but not limited to, falling debris.

### Warranty Service

Warranty service is available by calling 1-888-317-7642 8am - 8pm CST, Monday through Friday.

### Warranty Restrictions

- This warranty applies to the original purchaser only.
- This warranty is void if patio fireplace is used for commercial or rental purposes.
- This warranty is void if the Burner or Valve assembly has been altered or disassembled.
- This warranty applies only if this patio fireplace is used in the United States.
- This patio fireplace is for use with Liquid Propane(LP) gas only. Any attempt to convert this fireplace to natural gas is dangerous and will void your product warranty.

This warranty gives you specific legal rights, and you may also have other rights which vary from state to state.

## Read These Safety Instructions

This appliance has been tested to and complies with IAS 4-96 "IAS REQUIREMENTS FOR OUTDOOR GAS FIREPLACES". Installation must conform with local building codes, or in the absence of local building codes, with the National Fuel Gas Code, ANSI Z223.1 NFPA 54 or CAN/CGA-B149.1, Natural Gas and Propane Installation Code.

 **WARNING: For outdoor use only**

**WARNING:** Improper installation, adjustment, alteration, service or maintenance can cause injury, death or property damage and will void your product warranty. Read the installation, operation and maintenance instructions thoroughly before installing or servicing this equipment.

### **WARNING**

Failure to comply with these instructions could result in a fire or explosion that could cause serious bodily injury, death or property damage.

A strong gas smell, or the hissing sound of gas indicates a serious problem with your fireplace or LP tank. Failure to immediately follow the steps listed below could result in a fire or explosion which could cause serious bodily injury, death or property damage.

#### WHAT TO DO IF YOU SMELL GAS:

- Do not try to light any appliance.
- Do not touch any electrical switch; do not use the phone in your building.
- Immediately call your gas supplier from a neighbor's phone. Follow the gas supplier's instructions.
- If you cannot reach your gas supplier, call the fire department.

Do not store or use gasoline or other flammable vapors and liquids in the vicinity of this or any other appliance.

### **WARNING**

Do not use this fireplace to burn solid fuels or trash. Never place matches, paper, garbage, or any other material on top of logs or into the flame.

### **WARNING**

Do not use this fireplace if any part of the control system has been under water. Immediately call a qualified service technician to inspect the fireplace and to replace the parts of the control system and gas control which has been under water.

### **WARNING**

#### **Very hot while in operation**

Never lean over the fireplace while using your fireplace. Do not touch Lid or Screen while the fireplace is in operation, or until the fireplace has cooled down after use.

**Failure to comply with these instructions may result in serious bodily injury.**

**WARNING:** Installation and service must be performed by a qualified installer, service agency or the gas supplier.



### WARNING

- (a) Do not store a spare LP-gas cylinder near this fireplace.
- (b) Never fill the cylinder beyond 80 percent full.
- (c) If the information in "(a)" and "(b)" is not followed exactly, a fire causing death or serious injury may occur.

### FOR YOUR SAFETY

- 1. Do not store or use gasoline or other flammable material and liquids in the vicinity of this fireplace or other appliance.
- 2. A LP cylinder not connected for use must not be stored in the vicinity of this or any other appliance.

**IMPORTANT;** This fireplace is only for use with LP type of gas as equipped from the manufacturer and is not convertible for use with other gases.

**IMPORTANT;** This fireplace may not be used for preparing food. Gases and/or food particles may fall into the appliance and inhibit proper operation.

### Important safety rules:

- YOUNG CHILDREN should be carefully supervised when they are in the area of the fireplace.
- NEVER hang anything including clothes or other flammable items on the fireplace.
- The screens installed in this fireplace must be in place at all times when in operation to prevent foreign objects from entering the unit.
- For proper ventilation around the unit, do not obstruct the upper and lower vent louvers.
- The fireplace should be inspected before first use and at least annually by a qualified service person. More frequent cleaning may be required depending on area conditions.
- Keep burner and control compartment clean. See installation and operating instructions.

### 1. Clearance from combustibles:

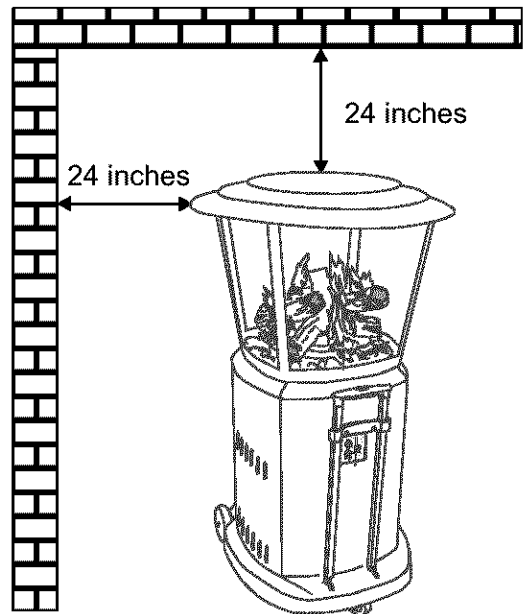
Proper clearance from combustible materials must be maintained at all times. (See Fig. 1 for minimum clearance)

Combustible materials include wood, compressed paper, plant fibers, plastic, plexiglass or other materials capable of being ignited and burned.

Such materials shall be considered combustible even though flameproof, fire-retardant treated or plastered. Additional clearance may be required for glass, painted surfaces and other materials which may be damaged by radiant or convection heat.

Unit to walls: 24 Inches  
Unit to ceiling: 24 Inches

Fig. 1. Minimum clearance from combustibles.



- 2. The gas inlet supply and normal operating manifold pressure for fireplace is as follows. For gas supply line pressures in excess of 14 "W.C., consult with your representative or the factory.

Type of Gas	Liquid Propane
Maximum inlet pressure	14 "W.C.
Minimum inlet pressure	11 "W.C.
Manifold pressure	9 "W.C.
Gas Rating	41,000 BTU/hr

- 3. The fireplace must be inspected before each use and annually by a qualified service person.
  - All gas connections should be checked for leaks utilizing a soap solution. Never use a flame for this purpose.
  - The flame pattern should be visually checked whenever the fireplace is operated.
  - Your fireplace area must be kept clear and free of combustible materials, gasoline and other flammable vapors and liquids.
  - Clean your fireplace only with noncombustible, non-corrosive cleaning agents.
- 4. Your fireplace has been designed with several safety features as follows.
  - A thermal fuse for overheating cut-off protection.
  - Flame failure shut off.
  - Automatic ignition.
  - Safety combination valve shut off.
  - The operating condition is controlled and diagnosed by a micro processor.

The micro processor is an advanced feature which also makes it easy for one touch operation with remote control or manual push button.

Any modification to the fireplace not described in the installation instructions may compromise the safety of this fireplace and will void the warranty.

## LP Gas Safety Instructions

**IMPORTANT;** Your Homestead patio fireplace cannot be converted to use Natural Gas. Attempting to do so is extremely hazardous and will also void the warranty.

### Correct LP Gas Tank Use

The patio fireplace is designed for use with a standard 20 lb. Liquid Propane Gas (LP Gas) tank, not included in box. Never connect your fireplace to an LP gas tank directly without regulator that exceeds this capacity. A tank of approximately 12 inches in diameter by 18-1/2 inches high is the maximum size LP gas tank to use. **You must use an "OPD" gas tank which offers a listed Overfill Protection Device.** This safety feature prevents tank from being overfilled which can cause malfunction of LP gas tank, regulator and/or fireplace.

The LP gas tank must be connected and marked in accordance with the specification for LP-gas cylinders of the U.S. Department of Transportation (D.O.T) or the National Standards of Canada, CAN/CSA-B339, Cylinder, Spheres and Tubes for Transportation of Dangerous Goods, and Commission, as applicable.

1. The LP gas tank has a shutoff valve, terminating in an LP gas supply tank valve outlet, that is compatible with type 1 tank connection device. The LP gas tank must also have a safety relief device that has a direct connection with the vapor space of the tank.
2. The tank supply system must be arranged for vapor withdrawal.
3. The LP gas tank used must have a collar to protect the tank valve.

This patio fireplace is not intended to be installed in or on recreational vehicles and/or boats.

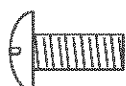
- **Never** connect an unregulated LP gas tank to your fireplace. The gas regulator assembly supplied with your fireplace is adjusted to have an outlet pressure of 11" water column(W.C.) for connection to an LP gas tank.
- Only use the regulator with hose assembly supplied with your fireplace. Replacement regulator with hose assembly must be those specified by manufacturer.
- Have your LP gas tank filled by a reputable propane gas dealer and visually inspected and re-qualified at each filling.
- Never fill the gas tank beyond 80 percent full. Have your propane gas dealer check the release valve after every filling to ensure that it remains free of defects.
- Always keep LP gas tanks in upright position. Do not store(or use) gasoline or other flammable vapors and liquids in vicinity of this fireplace.
- LP gas tanks not connected for use must NOT be stored inside of fireplace or in the vicinity of this or any other gas appliance.
- Do not subject the LP gas tank to excessive heat. Never store an LP gas tank in the garage or other indoor location. Always disconnect the LP gas tank first and store it safety outside.

- LP gas tanks must be stored outdoors in a well-ventilated area and out of the reach of children. Disconnected LP gas tanks must not be stored in a building, garage or any other enclosed area.
- When your fireplace is not in use the gas must be turned off at the gas tank.
- The regulator with hose assembly can be seen when you open the doors. It should be inspected before each use of the fireplace. If there is excessive wear or any abrasions, or if the hose is cut, it must be replaced prior to the fireplace being used.
- Keep the gas regulator hose away from hot surface. Avoid unnecessary twisting of hose. Visually inspect hose prior to each use for cuts, cracks, excessive wear or other damage. If the hose appears damaged do not use the fireplace. Call 1-888-317-7642 for an authorized replacement hose.
- Never allow children to play near your fireplace.

## Contents for Hardware Pack(Part #PC3501000F)

The following table illustrates a breakdown of the hardware pack. It highlights which components are used in the various stages of assembly.

Ref. No.	Component	Qty.	Usage
S115G03082	Screw, 3/16"-24 UNC	4	Assemble the Screen onto Base
S115G03082	Screw, 3/16"-24 UNC	4	Assemble the Lid onto Screen
S115G03082	Screw, 3/16"-24 UNC	16	Assemble Screen
S313G03062	Nut, 3/16"-24 UNC	16	Assemble Screen



Screw, 3/16"-24 UNC  
Qty. 24  
Parts # S115G03082



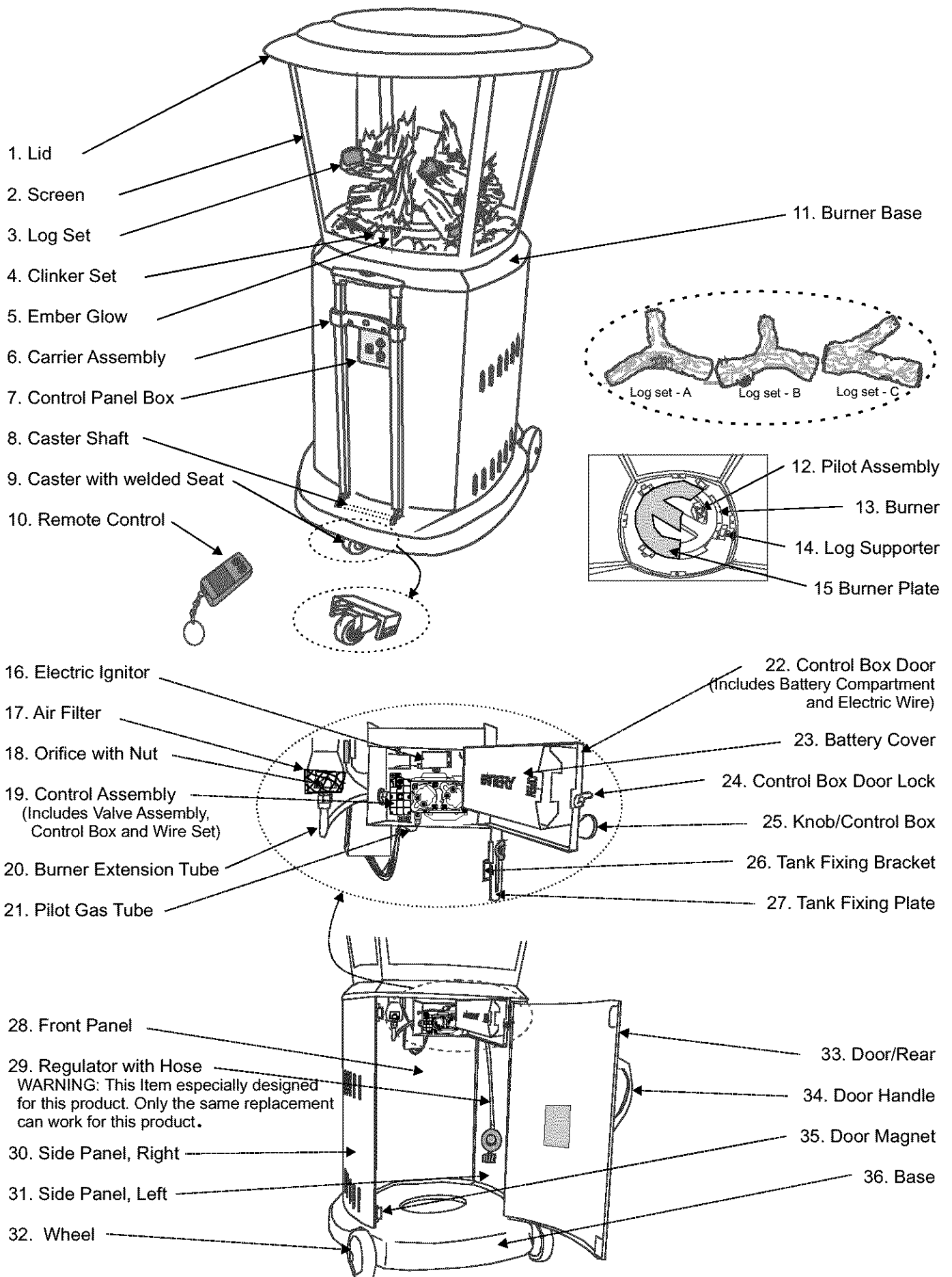
Nut, 3/16"-24 UNC  
Qty. 16  
Parts # S313G03062

### **For complete installation and assembly you should have:**

1. Base including Burner, Controller, Regulator with Hose
2. Screen
3. Lid
4. Log set (3 pieces)
5. Clinker (30 pieces) and Ember glow (1 pack)
6. Remote control
7. Batteries/D (4 pieces)

Customer Support Helpline: If you have questions about assembly or fireplace operation, or if there are damaged or missing parts when you unpack this unit from the shipping box, call us 8am - 8pm CST, Monday through Friday at: 1-888-317-7642

# 89795 Parts Diagram



## 89795 Parts List

Ref #	Description	Part #	Qty.
1	Lid	PC3800005F	1
2	Screen	PC3700002F	4
3	Log Set (3 pieces)	PC1500000M	1
4	Clinker Set (30 pieces)	PC1600000G	1
5	Ember Glow (1 pack)	PC1700000G	1
6	Carrier Assembly	PC3901000P	1
7	Control Panel Box	PC0711000E	1
8	Caster Shaft	PC6001000F	1
9	Caster with Welded Seat	PC4701000F	1
10	Remote Control	PC2011000E	1
11	Burner Base	PC6211000F	1
12	Pilot Assembly	PC0811000F	1
13	Burner	PC1300000A	1
14	Log Supporter	PC5301000F	4
15	Burner Plate	PC6400000F	1
16	Electric Ignitor	PC0311000E	1
17	Air Filter	PC6500000S	1
18	Orifice with Nut	PC1111000C	1
19	Control Assembly	PC5811000Z	1
20	Burner Extension Tube	PC5911000S	1
21	Pilot Gas Tube	PC1211000A	1
22	Control Box Door	PC6311000F	1
23	Battery Cover	PC5611000F	1
24	Control Box Door Lock	S233G03041	1
25	Knob/Control Box	PC5211000P	1
26	Tank Fixing Bracket	PC5511000F	1
27	Tank Fixing Plate	PC5411000F	1
28	Front Panel	PC4801000F	1
29	Regulator with Hose (This item is especially designed for this product. Only the same replacement can work for this product.)	PC0100000A	1
30	Side Panel, Right	PC5101000F	1
31	Side Panel, Left	PC5001000F	1
32	Wheel 5"	PC4001000P	2
33	Door/Rear	PC4101000F	1
34	Door Handle	PC4201000P	1
35	Door Magnet	PC4901000F	2
36	Base	PC4401000F	1
---	Hardware Pack	PC3501000F	1
---	Owner's Manual	PC3611000L	1

For repair or replacement parts you need: Call

**1-888-317-7642**

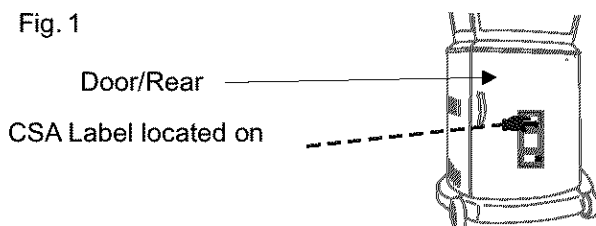
To make sure you obtain the correct replacement parts for your fireplace, please refer to the part numbers on this parts list. The following information is required to ensure you receive the correct parts:

1. Model number found on C.S.A. label located on the surface of back cover. Refer to Fig. 1.
2. Part Number
3. Part Description
4. Quantity of parts needed

**Important:** Keep this Owner's manual for convenient referral and for part replacement.

**Important:** Use only manufacturer authorized parts. The use of any part that is not manufacturer authorized can be dangerous and will also void your product warranty.

Fig. 1



### Tools Required for Assembly

- Eye protection
- Protective gloves
- Phillips screwdriver
- Adjustable Wrench

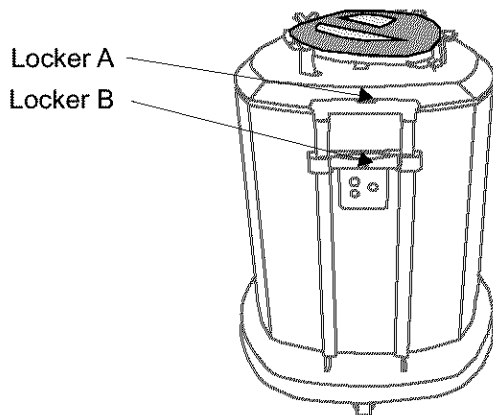
Customer Support Helpline: If you have questions about assembly or fireplace operation, or if there are damaged or missing parts when you unpack this unit from the shipping box, call us 8am - 8pm CST, Monday through Friday at: 1-888-317-7642

## Assembly & Installation Instructions

**CAUTION:** While it is possible for one person to assemble this fireplace, obtain assistance from another person when handling some of the larger, heavier pieces, especially base assembly.

Before assembling the fireplace, use the parts list to check that all necessary parts have been included. Inspect the fireplace for damage as you proceed. Do not assemble or operate the fireplace if it appears damaged. If you have questions during the assembly process call **1-888-317-7642**.

Remove all parts and hardware from carton. Refer to the parts list and hardware pack illustrations and assemble the fireplace on a protective work surface to avoid scratching the surfaces.

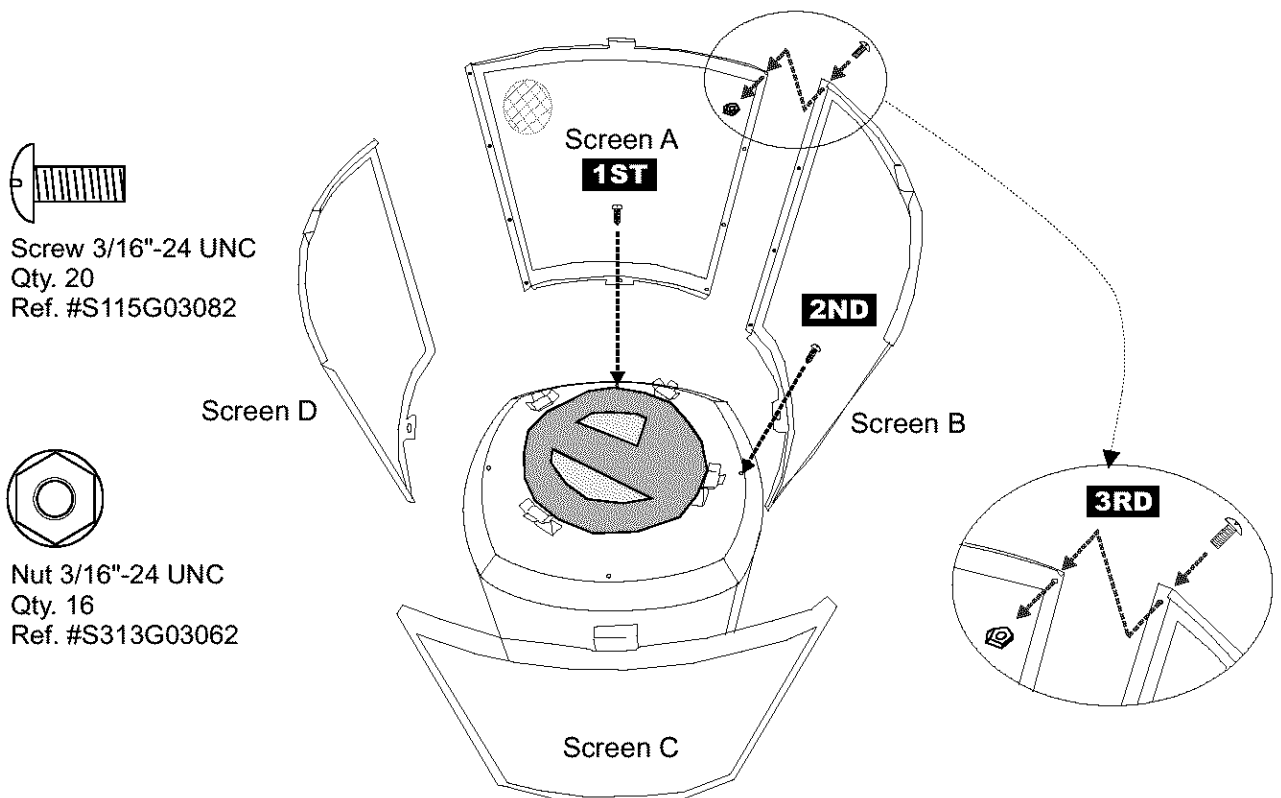


### Tip for movement

- Push Locker A and lift a handle.
- Push Locker B and pull the handle forward.

## 1 Assemble four screens onto the Base Assembly

1. See **1ST** Align the hole at the Screen A with the hole on the Base Assembly. Tighten securely using screw provided.
2. See **2ND** Align the hole on Screen B with the hole on the Base Assembly. Tighten securely using screw provided. **NOTE:** Screen A should be positioned inside of Screen B as shown.
3. Repeat step 2 to assemble the Screen C and D onto the Base assembly.
4. See **3RD** Insert the screw provided into the hole on Screen B and align. Insert the screw through the hole in Screen A. Tighten the provided nut securely.
5. Repeat step 4 on the other three Screens.



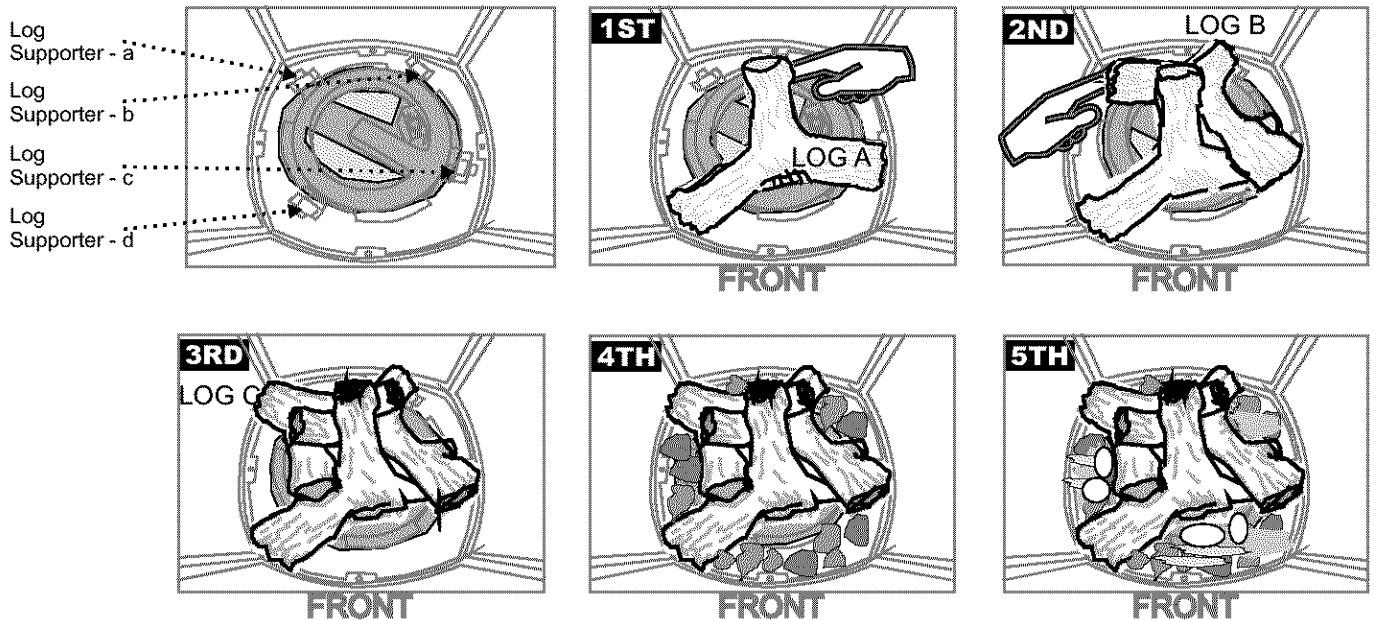


## 2 Arrange the Log Set on the Base assembly

1. See **1ST** Position the Log-A on the Log Supporters-c and d, then hold a branch of Log-A by a finger.
2. See **2ND** Position the Log-B on the Log Supporter-b, and hold branch of Logs A and B by finger.
3. See **3RD** Position the Log-C on the Log Supporter-a.

NOTE: Keep space in the center between each Log for rising flame.

4. See **4TH** Place the Clinkers evenly around the burner.
5. See **5TH** Place the Ember Glow Chips over the burner plate.



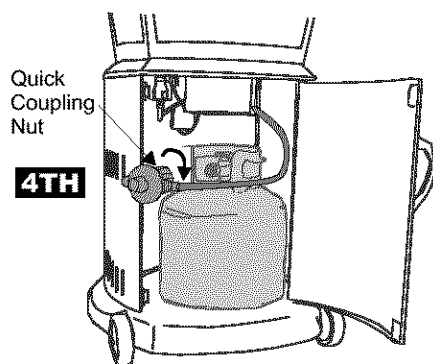
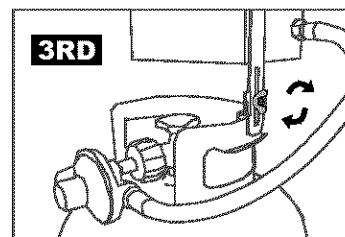
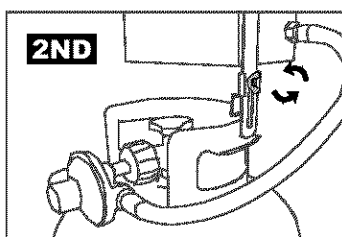
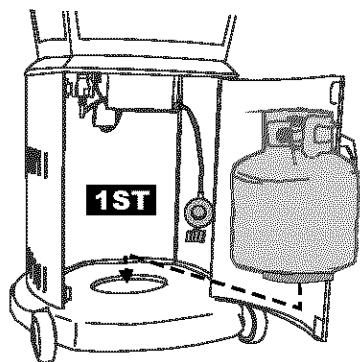
## 3 Connecting a LP gas tank to the Fireplace

1. Open the Rear Door and Inspect the parts for damage as you proceed. Do not assemble or operate the fireplace if it appears damaged.
2. Place a 20 lb cylinder tank with foot ring into the mounting hole of base properly. Make sure the tank valve is in OFF position. (Turn clockwise to close) See **1ST**
3. See **2ND** Unlock the Tank Fixing Lever and move the Gas Fixing Bracket down to hold the gas tank.
4. See **3RD** Lock the Tank Fixing Lever.
5. Check the tank valve to insure it has proper external mating threads to fit the hose & regulator assembly provided. (Type 1 connection per ANSI Z21.58b-2002)
6. Inspect the valve connection port and regulator assembly. Look for damage or debris. Remove any debris. Inspect hose for damage. Never use damaged or plugged equipment.
7. When connecting the regulator assembly to the tank valve, hand tighten nut clockwise to a full stop. See **4TH** DO NOT use a wrench to tighten because it could damage the Quick Coupling Nut and result in a hazardous condition.
8. Open the tank valve fully(counter clockwise). Use a soapy water solution to check all connections for leaks before attempting to light your fireplace. See "Checking for Gas Leaks" on page 11. If a leak is found, turn the tank valve off and do not use your fireplace until the leak is repaired.

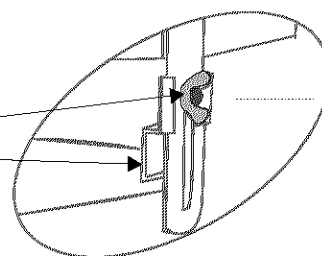
### Disconnecting a LP gas tank from the Fireplace

1. Turn the fireplace off and turn LP gas tank valve to the full OFF position. (Turn clockwise to close.)
2. Detach the hose and regulator assembly from the LP gas tank valve by turning the Quick Coupling Nut counterclockwise.

**CAUTION: When the fireplace is not use, the gas must be turned off at the supply tank.**



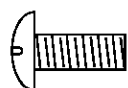
Tank Fixing Lever  
Tank Fixing Bracket



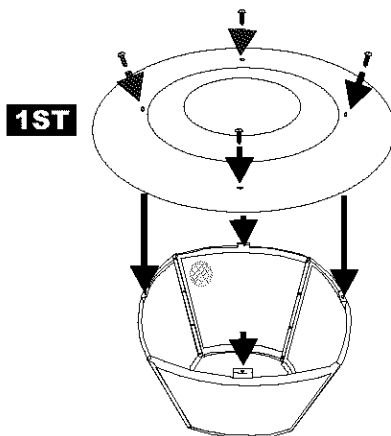
↻ Clockwise to lock  
↺ Counter clockwise to unlock

#### 4 Recheck the Log Set and assemble the Lid

1. Recheck the Log Set, Clinker and Embers to be sure that they are positioned properly.
2. Align the 4 holes in the Lid with the 4 holes at the screen assembly. Fix firmly by using four screws provided.  
See **1ST**

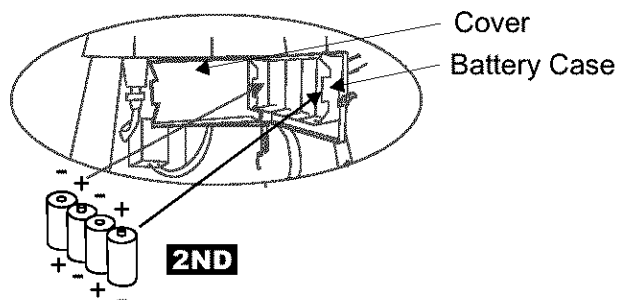
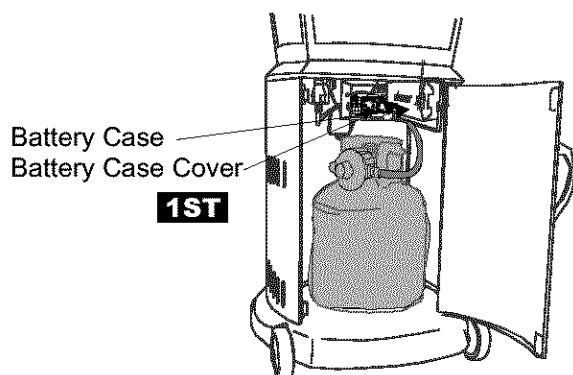


Screw 3/16"-24 UNC  
Qty. 4  
Ref. #S115G03082



#### 5 To install or replace the Batteries

1. Open the Rear Door, turn Locker counter clockwise to unlock and pull the cover of the Battery Case to open.  
See **1ST** Place 4 Batteries/D provided into the Battery Case. Make sure the polarity of the Batteries is right as shown in **2ND**
2. Replace the cover on the battery case and close Rear Door.



## Congratulations

Your LP Patio Fireplace is now ready for use. Before the first use and at the beginning of each season (and whenever the LP gas tank has been changed):

1. Read all safety, Lighting and operating instructions.
2. Check Gas Valve Orifices, Burner Tube for any obstructions.
3. Perform gas leak check according to instructions found on page 11 of this manual.

## Checking for Gas Leaks

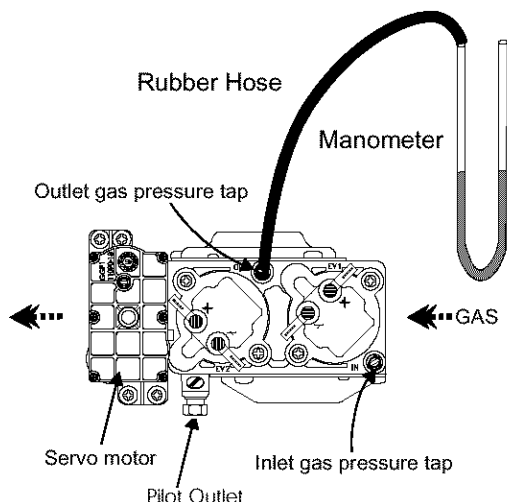
**Never** test for leaks with a flame. Prior to the first use, at the beginning of each season, or every time your LP gas tank is changed, you must check for gas leaks. Follow these four steps;

1. Make a soap solution by mixing one part liquid detergent and one part water.
2. Make sure the status of heater is off, then turn the gas ON at source.
3. Apply the soap solution to all gas connections, **especially apply to Inlet/manifold pressure tap on the gas valve after reading the pressure.** Bubbles will appear in the soap solution if connections are not properly sealed. Tighten or repair as necessary.  
If you have a gas leak that you cannot repair, turn off the gas at the source, disconnect fuel line from your fireplace and call **1-888-317-7642** for repair assistance.
4. Do not attempt to light the automatic pilot by hand (match, cigarette, lighter etc.)

## Reading the Manifold Pressure

**WARNING:** THESE PROCEDURES MUST BE PERFORMED BY QUALIFIED INSTALLER, SERVICE AGENCY OR THE GAS SUPPLIER.

1. Manifold pressure and Inlet pressure can be checked by applying an 1/4" rubber hose to the protruding outlet tap on the combination valve.
2. Loosen the small screw 2 to 3 turns counter-clockwise.
3. Connect the 1/4" rubber hose to outlet gas pressure tap with manometer.
4. Read the pressure on the Manometer.
5. Seal tap afterwards by tightening the small screw.



## Operating Instructions

**Note :** At first use the housing may emit a slight odor and smoke due to the burn off of oil used in the manufacturing process. This is to be expected.

1. Familiarize yourself with the safety instructions and warnings at the front of this manual. Do not smoke while lighting the fireplace or checking gas supply connections. Be sure your fireplace is installed in accordance with the minimum clearance from combustibles as shown on page 3 of this manual.

2. Make sure all connections are securely tightened.

### A. Turning the fireplace ON

Open Door and slowly open valve on gas tank. Press the ON/OFF button to operate the fireplace. The Status indicator light will illuminate green. Refer to Fig. 1.

After approximately 5 seconds the automatic spark will light the burner and the status indicator light will illuminate red after detecting the flame by micro-processor.

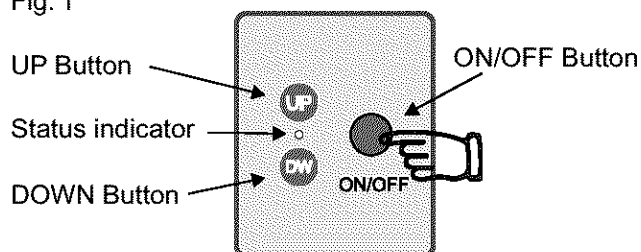
**Notes:** If the fireplace does not ignite on the initial try, the spark will stop and the indicator light will blink two times.

To attempt to re-ignite press the ON/OFF button again to cancel the error condition. Then press the ON/OFF button again to operate.

Your fireplace will not operate when the error message is indicated. This process may need to be repeated several times on the initial start up because of air in the LP supply line and whenever a 20 lb LPG tank is replaced or if the gas line is disconnected from the fireplace for any reason.

The status indicator light will turn off after approximately 30 seconds to save battery power.

Fig. 1



To adjust the burning level:  
Press UP or DW button to adjust the burning level to maximum, middle and minimum level.

## B. Turning the fireplace off

Press ON/OFF button to turn fireplace off.  
Close valve on gas tank and close Door.

**Note:** If the fireplace does not turn off by pressing the ON/OFF button, close the manual valve on the main gas line. Have the fireplace checked by a qualified service technician.

## C. Operating Remote Control

To turn the fireplace on:

Open Door and slowly open valve on gas tank.

Press the ON button on remote control for 2 or 3 seconds to activate. The Status indicator light on control will illuminate green and the control box on the fireplace will sound one beep. Refer to Fig. 1.

To turn the fireplace off:

Press the OFF button on the remote control for 2 or 3 seconds to activate. The control box on the fireplace will sound two beeps. Refer to Fig. 1.

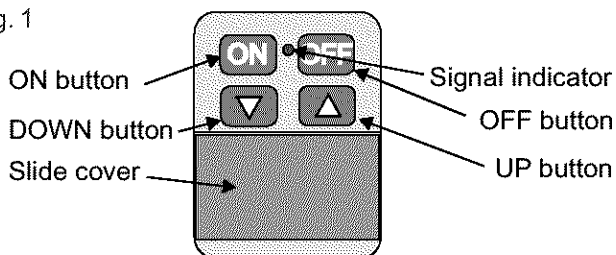
Close valve on gas tank and close Door.

To adjust the burning level:

Press UP or DW button on the remote control. The control box on the fireplace will sound two beeps. Refer to Fig. 1.

When controlling your fireplace by remote control, press button on the remote control for 1 or 2 seconds to send signal to fireplace.

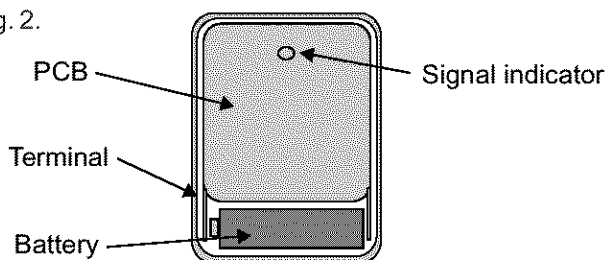
Fig. 1



To replace the battery,

Remove the screw on the back of the remote control. Remove the front cover and replace the battery with an Alkaline type MS21/MN21 size 23A/12V. Refer to Fig. 2.

Fig. 2.



## Maintenance

The fireplace requires very little maintenance. To clean simply wipe the outer case with a damp cloth. Do not use solvents or any other caustic cleaning agents because they may discolor or distort any plastic parts. Do not use aerosol polish or any other flammable material to clean the heater while it is in operation.

## Trouble Shooting

Problem Cause	No ON indicator	Burner doesn't ignite	Unusual combustion	combustion stops during operation	smell of gas	Remedy
Strong wind	X	X	X	X		Retry Ignition
Dead Battery	X	X				Replace Batteries
Air in gas line		X				Purge air
Gas odor					X	Service call
Non-ignition	X	X				Service call
No gas flow	X	X				Tank empty, Manual gas valve closed, Service call

## Error Messages

The fireplace is controlled by a micro processor which has the ability to check its own operation continuously. If a fault occurs an error message will appear on the status indicator on the control panel and the micro processor will automatically shut off the heater.

If an error message is displayed please refer to the list below for the possible cause of the error message and the Trouble Shooting Section on this page for a solution. You may be able to fix the problem without a service call. If the error message persists turn off the gas at the manual shutoff and contact a qualified service technician for service.

### Ignition Failure:

The status indicator light will flash red for 15 seconds with single consecutive flashes. Check gas flow and all gas connections. If the problem continues call a qualified service technician.

### Flame Failure:

The status indicator light will flash red for 15 seconds with two consecutive flashes. Check gas supply, LP tank. If the problem continues call a qualified service technician.

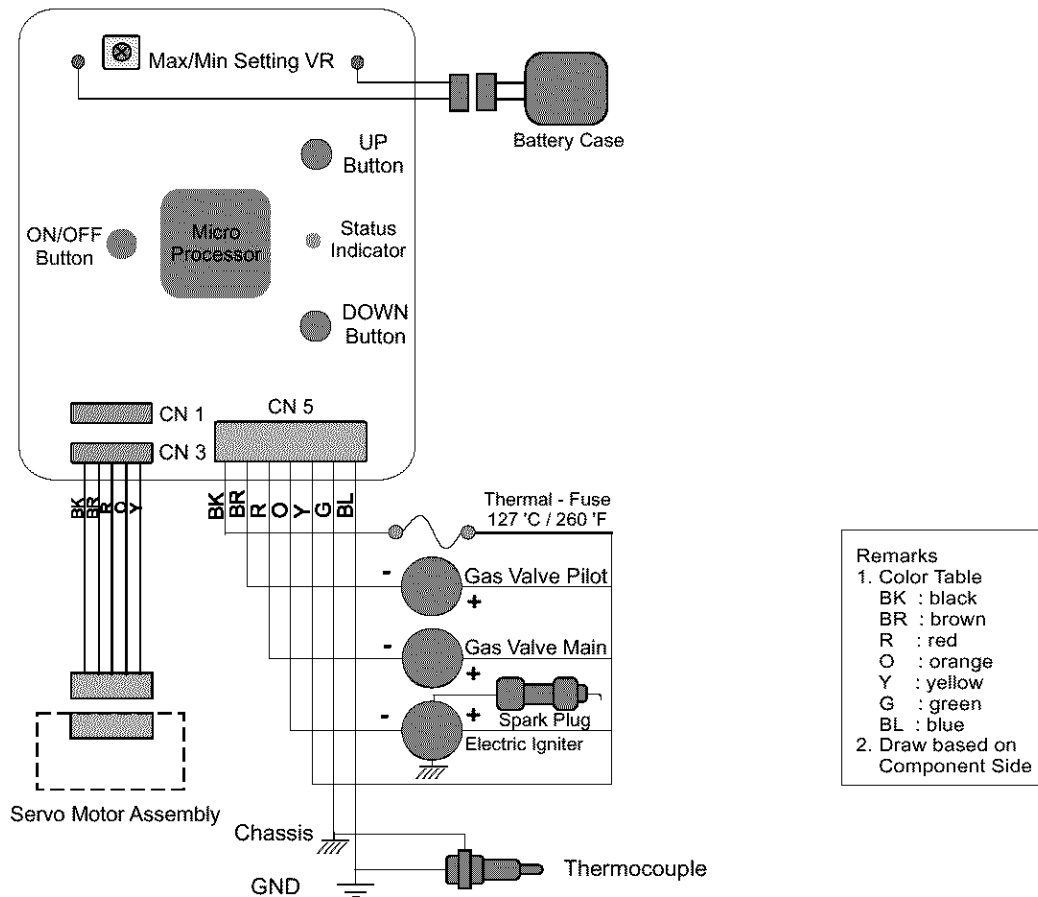
### Over Heating:

The status indicator light will flash red for 15 seconds with three consecutive flashes. Check for obstruction of air flow around fireplace casing. If the problem continues call a qualified service technician.

### Gas valve Failure:

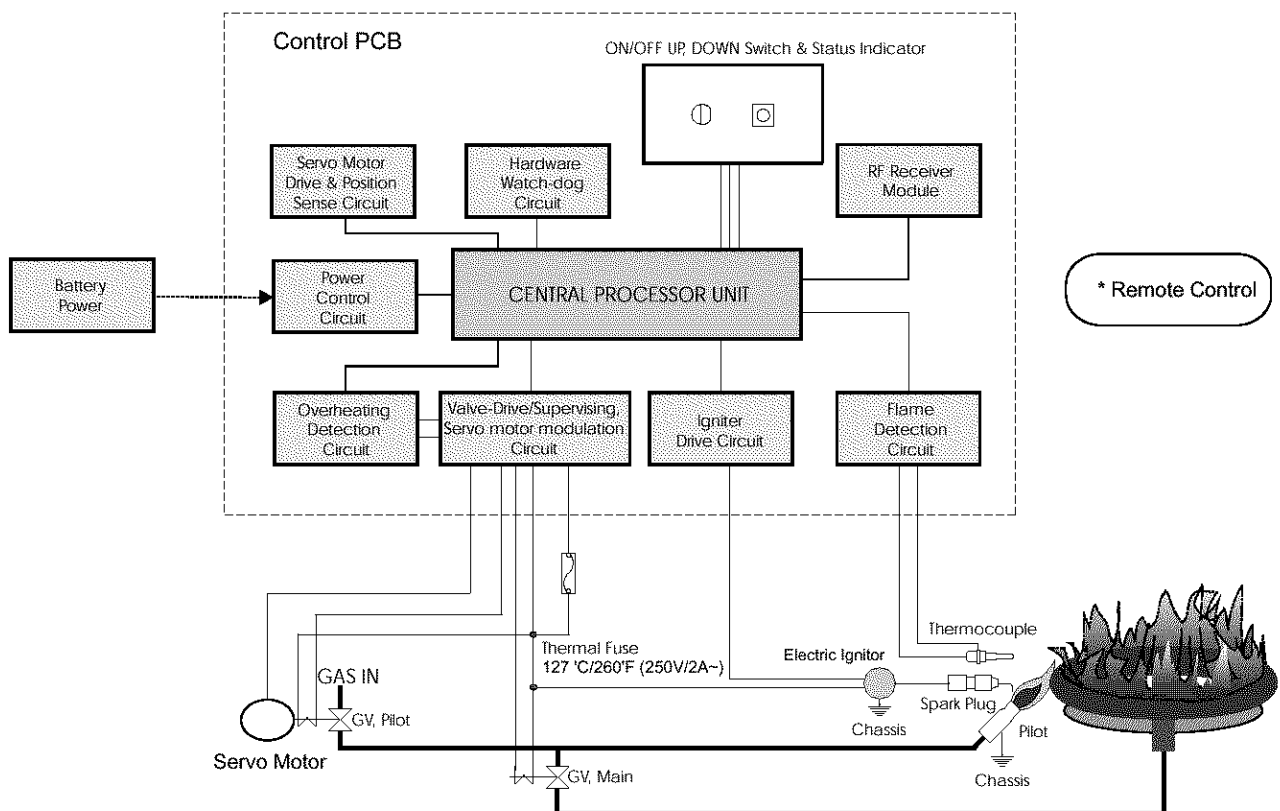
The status indicator light will flash red for 15 seconds with four consecutive flashes. Check connections of gas valve. If the problem continues call a qualified service technician.

## Electric Wire Diagram



If any original wires supplied with the appliance must be replaced, it must be replaced with type 18AWG, 600V, 105°C wire or its equivalent.

## Block Diagram



## Specifications

Model No. 89795  
Gas Control Electronic Control with Micro-Processor  
Gas Input 41,000 BTU/hr

Used Gas Liquid Propane Gas

Max. inlet pressure \*14 "W.C.  
Min. inlet pressure \*11 "W.C.  
Manifold pressure 9 "W.C.  
Main injector size #47

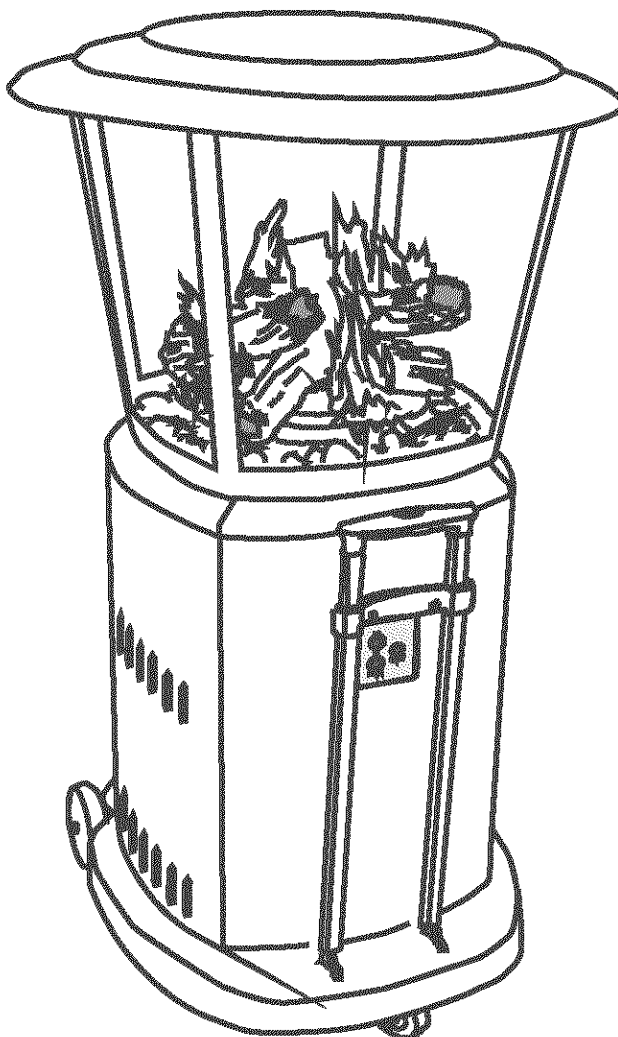
Gas Inlet 5/8"-18 UNF  
Burner Cast - Iron Ring Burner  
Ignitor Electronic Spark  
Electrical Supply 4 Batteries/D, 6 VDC  
\* After tank regulator

Includes Remote Control

Battery type for Remote control: Alkaline type MS21/ MN21 size 23A/12V

## Dimensions

Diameter of Lid : 28.9 inches  
Depth of Base : 25.3 inches  
Width of base : 21.7 inches  
Height : 50.0 inches

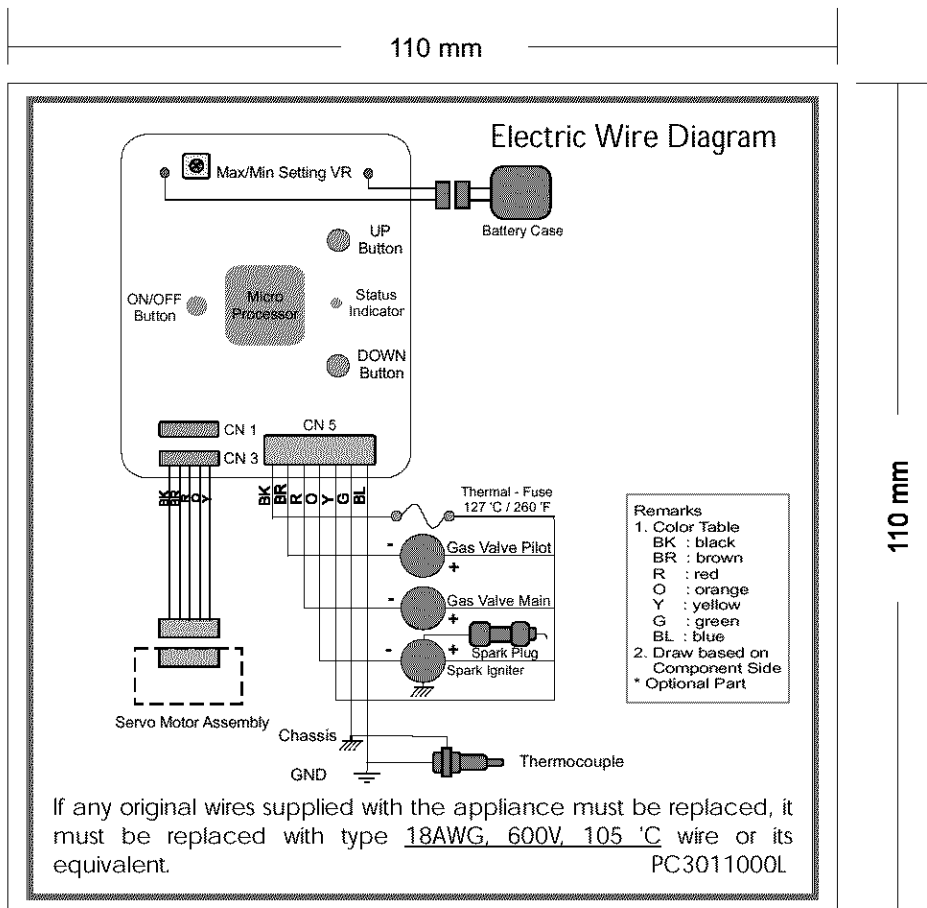


### Made in China

**Exported by:** Grand Hall Enterprise Co., Ltd.  
9<sup>th</sup> Fl., No. 298, Rueiguang Rd., Neihu, Taipei, Taiwan (114)

Customer Support Helpline: If you have questions about assembly or fireplace operation, or if there are damaged or missing parts when you unpack this unit from the shipping box, call us 8am - 8pm CST, Monday through Friday at: 1-888-317-7642

110 mm



110 mm

\* All Text : black color  
 bottom : PANTONE 427 C



Model No. 89795  
 Input Rating for control 4 Batteries/D  
 Gas Type Liquid Propane/LPG  
 Gas Input(Max.) 41,000 Btu/hr  
 Gas Inlet Pressure(Max.) \*14 "W.C.  
 Gas Inlet pressure(Min.) \*11 "W.C.  
 Manifold Pressure 9 "W.C.  
 Injector size #47  
 Gas Inlet 5/8" - 18 UNF

\* After tank regulator.

Serial No.

Lot No.



IAS U.S. 4-96 Outdoor Gas Fireplace. Made in China

Used gas: Liquid Propane Only



For Outdoor Use Only

**WARNING:** Improper installation, adjustment, alteration, service or maintenance can cause injury, death or property damage and will void your product warranty. Refer to the Owner's Manual provided with this appliance. For assistance or additional information consult a qualified installer, service agency or the gas supplier.

**CAUTION(LP-gas):** The gas pressure regulator provided with this appliance must be used. This regulator is set for an outlet pressure of 11 inches water column.

**CAUTION:** The gas supply must be turned off at the LP-gas supply cylinder when this appliance is not in use.

**FOR YOUR SAFETY**

Do not store or use gasoline or other flammable vapors and liquids in the vicinity of this or any other appliance.

**WHAT TO DO, IF YOU SMELL GAS:**

- Do not try to light any appliance.
- Do not touch any electrical switch; do not use the phone in your building.
- Immediately call your gas supplier from a neighbor's phone. Follow the gas supplier's instructions.
- If you cannot reach your gas supplier, call the fire department.

**Lighting instructions:**

To turn ON: Turn cylinder valve ON.

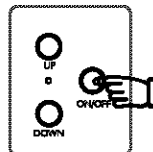
Press the ON/OFF button to operate the fireplace. The Status indicator light will illuminate green. After approximately 5 seconds the automatic spark will light the burner and the status indicator light will illuminate red.

To turn OFF:

Press ON/OFF button to turn fireplace off.

Turn cylinder valve OFF.

See Owner's Manual pages 11 and 12.



**Minimum clearance from combustibles**

Unit to walls: 24 Inches

Unit to ceiling: 24 Inches

For Installation on(or over) Noncombustible Floors Only

278 mm

\* All Text : BLACK color  
 bottom : PANTONE 427C

PC4311000L



## Free Manuals Download Website

<http://myh66.com>

<http://usermanuals.us>

<http://www.somanuals.com>

<http://www.4manuals.cc>

<http://www.manual-lib.com>

<http://www.404manual.com>

<http://www.luxmanual.com>

<http://aubethermostatmanual.com>

Golf course search by state

<http://golfingnear.com>

Email search by domain

<http://emailbydomain.com>

Auto manuals search

<http://auto.somanuals.com>

TV manuals search

<http://tv.somanuals.com>