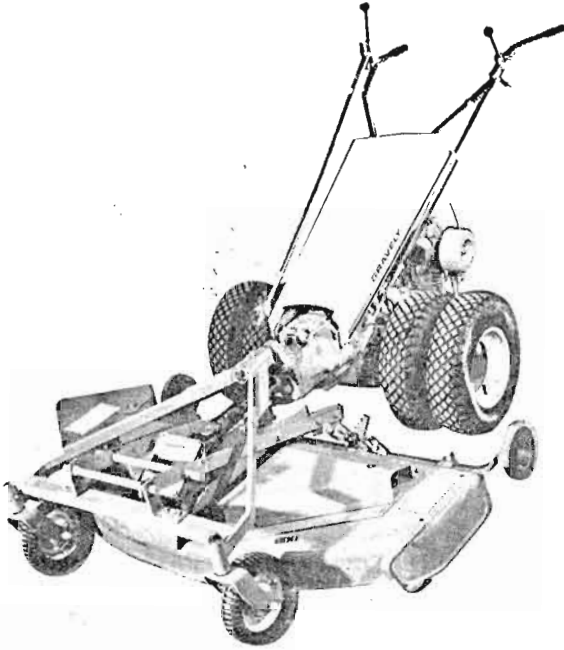


GRAVELY

A DIVISION OF CLARKE-GRAVELY CORPORATION
To continue its program of quality and design improvement, the manufacturer reserves the right to change specifications, design or prices without notice and without incurring obligation.

OWNERS MANUAL

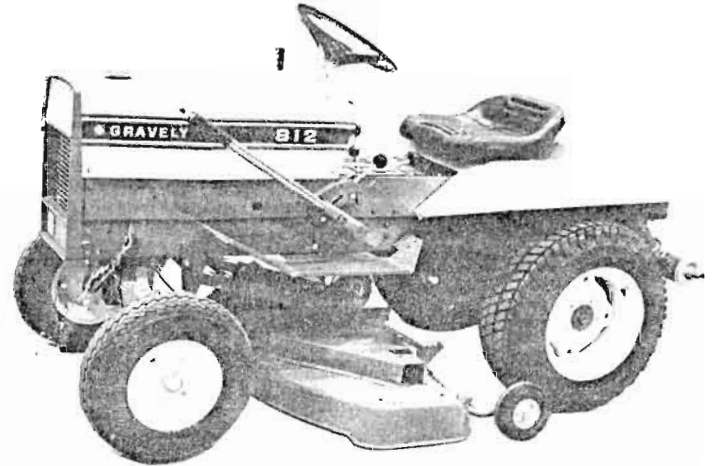
40" & 50" ROTARY MOWER
3-BLADES
MODEL NO. 21296-40" 21297-50"
Form No. 21322 (2-76)



ROTARY MOWER WITH CONVERTIBLE TRACTOR

GENERAL

1. Read this manual carefully and understand how to operate and maintain the mower before attempting to use it. The 3-Blade Mower has been designed and built to the traditionally high standards for which Gravelly is famous. With proper operation and maintenance the mower will perform for many years to come. Knowing how to use The Gravelly Tractor and Mower is the largest part of getting the job done.
2. The mower is front mounted to Convertibles and center mounted on Riders. Power to the mower is controlled through the PTO (power take-off) of The Tractor. After initial installation no tools are required to disconnect or reconnect to The Tractors.
3. This manual includes parts lists, set up, safety, operator and maintenance instructions. All references to right, left, front, rear are made from the operator's position on the seat of riders or at the handles of convertibles. Contact The Gravelly Dealer for further information.
4. To continue its program of quality and design improvement, the manufacturer reserves the right to change specifications, design or prices without



ROTARY MOWER WITH RIDING TRACTOR

5. SPECIFICATIONS

General purpose

lawn care
light weed mowing

Maintenance intervals

every 8 hours of use

Lubricants

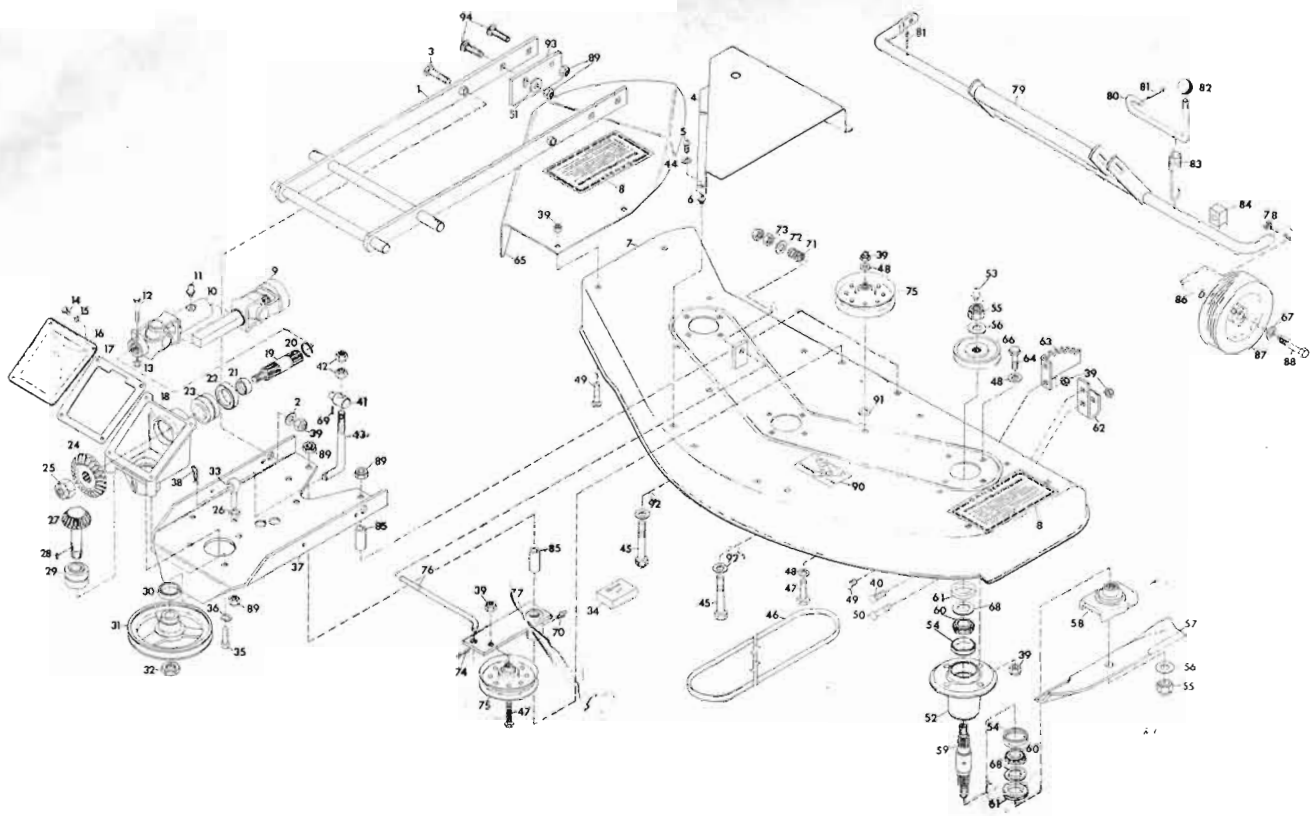
all grease fittings and
gear box: general purpose
grease drive shaft. Locking
collar: light oil

Recommended tractors

All 500 Series Convertible Tractors
All single cylinder Riding Tractors,
10 hp and greater (with rear wheels
mounted inboard position). 40" mower
not recommended for 816 or 817 due to rear
wheel width.

Convertible tractors require:

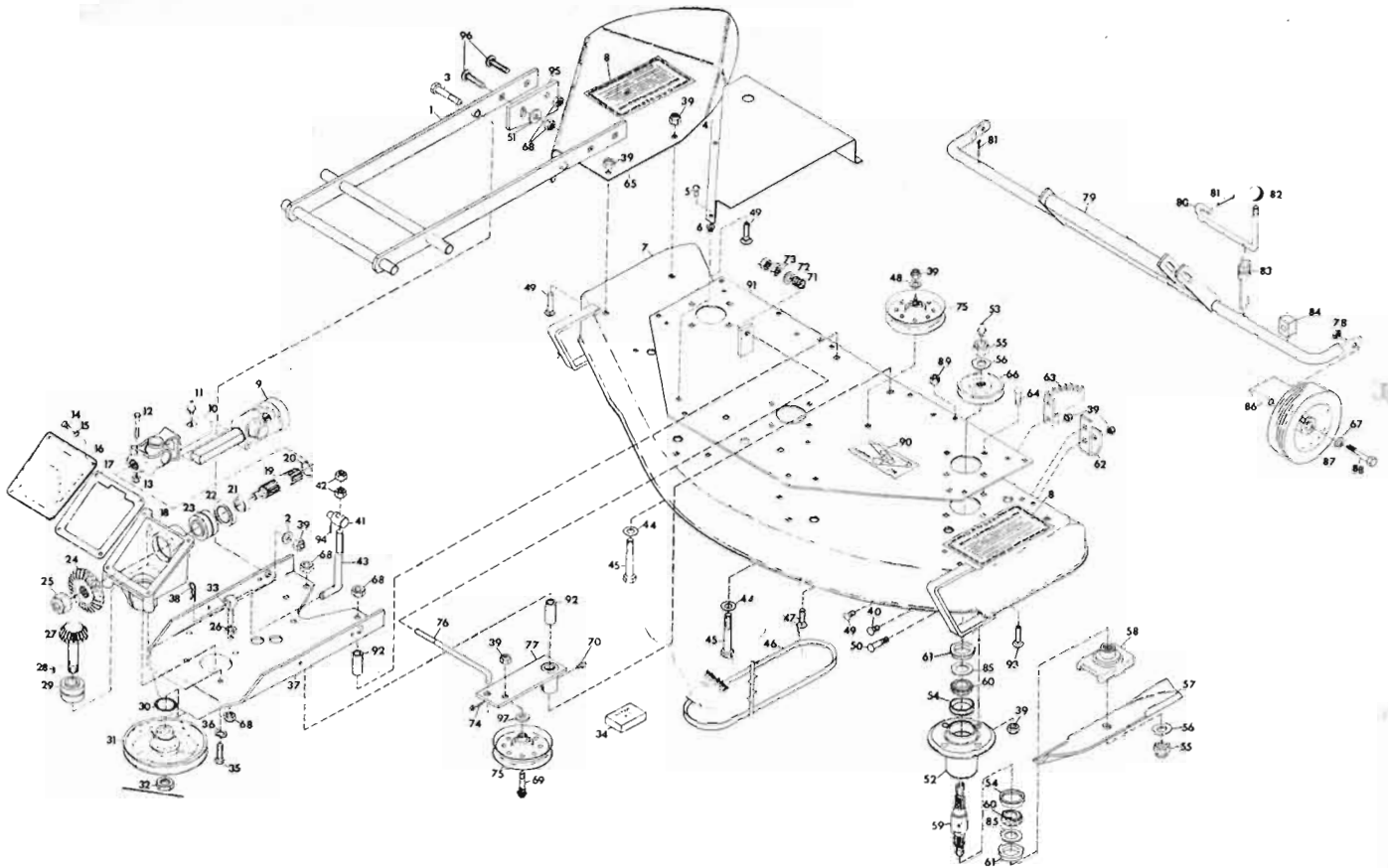
Quick Hitch accessory
Front Mount accessory



40"

ITEM NO.	PART NO.	DESCRIPTION	ITEM NO.	PART NO.	DESCRIPTION
1.	21224P1	Pivot Arm Weldment	51.	415543	Washer, Flat 17/32 x 1-1/4 x .100
2.	120394	Washer, Flat 13/32 x 15/16 x .065	52.	21215P1	Housing, Bearing
3.	180126	Bolt, Hex 3/8-16 x 1-1/2	53.	411010	Fitting, Lube 1/8 (Side Spindles Only)
4.	21258P1	Cover, Pulley R.H. 40"	NS	21214P1	Fitting, Grease (Center Spindle Only)
5.	21257P1	Cover, Pulley L.H. 40"	54.	9245P1	Bearing Race
6.	180536	Screw, Mach. 1/4-20 x 5/8 Pan HD	55.	9418693	Nut, Lock 5/8-11 Washer Insert Hex
7.	11777P2	Grommet, Plastic	56.	131016	Washer, Flat 21/32 x 1-5/16 x .095
8.	21121A1	Deck, 40 in. Weldment	57.	14668P1	Blade
9.	18549P1	Decal, Banger	58.	20066P1	Cradle Blade
10.	19074P1	Shaft, Prop. Sq. Bar	59.	21210P1	Shaft, Spindle
11.	13518P1	Joint, U Female End	60.	9240P1	Bearing Cone
12.	9441027	Fitting, Lube 1/4-23	61.	21214P1	Seal, Steel
13.	180044	Bolt, Hex 1/4-20 x 2	62.	11264P1	Bracket, Axle Support
14.	9419454	Nut, Lock 1/4-20 Washer Insert Hex	63.	11265P1	Bracket, Height Adjustment
15.	180010	Bolt, Hex 1/4-20 x 1/2	64.	180124	Bolt, Hex 3/8-16 x 1-1/4
16.	120380	Washer, Lock 1/4 Spring	65.	19980P1	Shield, Safety Extension 40"
17.	10982P1	Cover, Gear Housing	66.	20655P1	Shaft, Spindle
18.	11231P1	Gasket, Gear Housing	67.	446477	Washer, Flat
19.	14630P1	Casting, Gear Box	68.	20743P1	Washer
20.	20016P1	Shaft, Drive	69.	142485	Pin, Groove 1/8 x 5/8 Type A
21.	14642P1	Ring, Retaining Retainco Eaton 4328	70.	14406P1	Fitting, Lube
22.	14641P1	Spacer, Ring	71.	11779P1	Spring, Comp. Type 1 x .78 x 338 Rate
23.	14646P1	Seal, Oil 1-1/4 x 1-63/64 x .437	72.	120395	Washer, Flat 15/32 x 15/16 x .065
24.	14640P1	Bearing Assembly, 1.000 x 1.980 x 1.2430	73.	120396	Nut, Hex 3/8-24
25.	20819P1	Gear, Bevel	74.	179252	Pin, Cutter 1/16 x 1
26.	456007	Nut, Lock 3/4-10 Washer Insert Hex	75.	21060P1	Rod, Idler 40 in. Mower
27.	120138	Nut, Jam 1/2-13	76.	21112P1	Arm, Idler Pivot Weldment
28.	20820P1	Shaft, Gear Pinion	77.	21115P1	Nut, Jam 3/8-16 Hex
29.	431787	Key, Woodruff 3/16 x 5/8 Hard No. 61	78.	124829	Axis, Pivot Weldment
30.	14644A1	Bearing Assembly, .7500 x 1.7810 x 1.4990	79.	14661A1	Washer, Height Adjustment
31.	14645P1	Seal, Oil 1-1/4 x 1-11/16	80.	10993P1	Pin, Cutter 1/8 x 1-1/4
32.	19960P1	Shaft, 1/2 x 6.50	81.	11261P1	Knob, Adjustment Control
33.	451539	Nut, Jam 3/4-10 Hex Heavy	82.	120396	Spring, Ext. Type 4-3/8 x .87 x 45 Rate
34.	12134P1	Kit, Repair Universal Joint Rockwell Std.	83.	11268P1	Stop, Nylon
35.	20573P1	Kit, Repair Universal Joint Neapco 1695x	84.	19349P1	Spacer, .510 x .840 x 2.622
36.	120138	Bolt, Hex 1/2-13 x 1	85.	11037P1	Bushing, .585 x .750 x 2.593
37.	21256P1	Washer, Lock 1/2 Spring	86.	11386P1	Wheel, Castor
38.	15691P1	Support, Gear Housing	87.	149305	Nut, Hex 3/8-16 x 3-1/2
39.	456004	Pin, Hair Cutter	88.	435507	Nut, Lock 1/2-13 Washer Insert Hex
40.	120913	Nut, Lock 3/8-16 Washer Insert Hex	89.	11713P1	Decal, Belt Installation
41.	11317A1	Bolt, 3/8-16 x 1 RD HD SQ NK	90.	34672P1	Spacer, Idler
42.	120138	Pin, Hair Cutter	91.	120396	Washer, Flat 17/32 x 1-1/16 x .095
43.	19241P1	Nut, Jam 1/2-13	92.	21222P1	Plate, Adjustment
44.	120396	Washer, Flat 9/32 x 5/8 x .065	93.	120917	Bolt, 1/2-13 x 1-1/2 RD HD SQ NK
45.	180193	Bolt, Hex 1/2-13 x 3-5/4	NS	20818A1	Drive Assembly 40" Mower
46.	14675P1	Belt, V 1/2 x 5/16 x 117			
47.	180130	Bolt, Hex 3/8-16 x 2			
48.	520588	Washer, Flat 7/16 x 1 x .083			
49.	120237	Bolt, 3/8-16 x 3/4 RD HD SQ NK			
50.	126419	Bolt, 3/8-16 x 2 RD HD SQ NK			

fig 1 ILLUSTRATED PARTS LIST 40" MOWER



ITEM NO.	PART NO.	DESCRIPTION	ITEM NO.	PART NO.	DESCRIPTION
1.	21224A1	Pivot Arm Weldment	51.	415543	Washer, Flat 17/32 x 1-1/4 x .100
2.	120394	Washer, Flat 13/32 x 13/16 x .065	52.	21215P1	Housing, Bearing
3.	180126	Bolt Hex 3/8-16 x 1-1/2	53.	411010	Fitting, Lube 1/8 (Side Spindles Only)
4.	21260P1	Cover, Pulley R.H.	NS	21214P1	Fitting, Grease (Center Spindle only)
5.	21259P1	Cover, Pulley L.H.	54.	9245P1	Bearing Race
6.	160515	Screw, Wash 1/4-20 x 1/2 Pan HD	55.	9418692	Nut, Lock 5/8-11 Washer Insert Hex
7.	11777P1	Grommet, Plastic	56.	131016	Washer, Flat 21/32 x 1-5/16 x .095
8.	20055A1	Deck, 50 in. Weldment	57.	11234P1	Blade
9.	18549A1	Decal, Danger	58.	20066P1	Cradle, Blade
10.	19074P1	Shaft, Prop Sq. Bar	59.	21216P1	Shaft, Spindle
11.	13518P1	Joint, U Female End	60.	9246P1	Bearing Cone
12.	9411027	Fitting, Lube 1/4-28	61.	21211P1	Seal, Steel
13.	180044	Bolt, Hex 1/4-20 x 2	62.	11264P1	Bracket, Axle Support
14.	9419454	Nut, Lock 1/4-20 Washer Insert Hex	63.	11265P1	Bracket, Height Adjustment
15.	180016	Bolt, Hex 1/4-20 x 1/2	64.	126402	Bolt 3/8-16 x 1-1/4 RD HD SQ NK
16.	120380	Washer, Lock 1/4 SP	65.	19985P1	Shield, Safety Extension
17.	10982P1	Cover, Gear Housing	66.	20065P1	Sheave, Spindle
18.	11231P2	Gasket, Gear Housing	67.	446477	Washer, Flat 7/16 x 1-3/8 x .083
19.	14636P1	Casting, Gear Box	68.	435507	Nut, Lock 1/2-13 Washer Insert Hex
20.	20016P1	Shaft, Drive	69.	180130	Bolt, Hex 3/8-16 x 2
21.	14642P1	Ring, Retaining Reliance Eaton #328	70.	14406P1	Fitting, Lube
22.	14641P1	Spacer, Ring	71.	11779P1	Spring, Compression Type 1 x .78 x 338 Rate
23.	14646P1	Seal, Oil 1-1/4 x 1-63/64 x .437	72.	120395	Washer, Flat 15/32 x 15/16 x .065
24.	14640A1	Bearing Assembly 1.000 x 1.9800 x 1.2430	73.	120369	Nut, Hex 3/8-24
25.	19607P1	Gear, Bevel	74.	179252	Pin, Cotter 1/16 x 1
26.	456007	Nut, Lock 3/4-10 Washer Insert Hex	75.	21060P1	Sheave, Idler
27.	120238	Nut, Jam 1/2-13	76.	21111P1	Rod, Idler 50 in. Mower
28.	19608P1	Shaft, Gear Pinion	77.	21115A1	Arm, Idler Pivot Weldment
29.	431787	Key, Woodruff 3/16 x 5/8 Hard No. 61	78.	124829	Nut, Jam 3/8-16 Hex
30.	14644A1	Bearing Assembly .7500 x 1.7810 x 1.4990	79.	11243A2	Axle, Pivot Weldment
31.	14645P1	Seal, Oil 1-1/4 x 1-11/16	80.	10993P1	Lever, Height Adjustment
32.	14660P1	Sheave, 1/2 x 6.50	81.	120123	Pin, Cotter 1/8 x 1-1/4
33.	451539	Nut, Jam 3/4-10 Hex Heavy	82.	11261P1	Knob, Adjustment Control
34.	19350P1	Bolt, Eye	83.	11268P1	Spring, Ext. Type 4-3/8 x .87 x 45 Rate
35.	12134P1	Kit, Repair Universal Joint Rockwell Std.	84.	11260P1	Stop, Nylon
36.	20573P1	Kit, Repair Universal Joint Neapco 1605x	85.	20743P1	Washer
37.	180173	Bolt, Hex 1/2-13 x 1	86.	11937P1	Bushing, .385 x .750 x 2.593
38.	120384	Washer, Lock 1/2 Spring	87.	11386P1	Wheel, Caster
39.	21256P1	Support, Gear Housing	88.	189305	Bolt, Hex 3/8-16 x 3-1/2
40.	15691P1	Pin, Hair Cotter	89.	9419455	Nut, Lock 5/16-18 Washer Insert Hex
41.	456004	Nut, Lock 3/8-16 Washer Insert Hex	90.	11715P1	Decal, Belt Installation
42.	120915	Bolt, 3/8-16 x 1 RD HD SQ NK	91.	21118A1	Weldment, Deck Support Plate
43.	11317A1	Pivot, Mower Lift Assembly	92.	19348P1	Spacer, .510 x .840 x 2.43
44.	120258	Nut, Jam 1/2-13	93.	126216	Bolt, 5/16-18 x 3/4 RD HD SQ NK
45.	19201P1	Rod, Lift	94.	142485	Pin, Groove 1/8-5/8 Type A
46.	120396	Washer, Flat 17/32 x 1-1/16 x .095	95.	21222P1	Plate, Adjustment
47.	180193	Bolt, Hex 1/2-13 x 3-3/4	96.	120917	Bolt, 1/2-13 x 1-1/2 RD HD SQ NK
48.	11216P1	Belt, V 1/2 x 5/16 x 126.3	97.	14672P1	Spacer, Idler
49.	126416	Bolt, 3/8-16 x 1-3/4 RD HD SQ NK	NS	14635A1	Drive Assembly
50.	120388	Washer, Flat 7/16 x 1 x .083			
51.	126227	Bolt, 3/8-16 x 3/4 RD HD SQ NK			
52.	126419	Bolt, 3/8-16 x 2 RD HD SQ NK			

fig 2 ILLUSTRATED PARTS LIST 50" MOWER

ASSEMBLY

1. Raise and support rear of mower about 4 inches.
2. Set axle pivot weldment in axle support brackets, Items 62 and 79.
3. Place a nylon stop in each bracket, curved side against axle. Fasten assembly with carriage bolts and nuts.

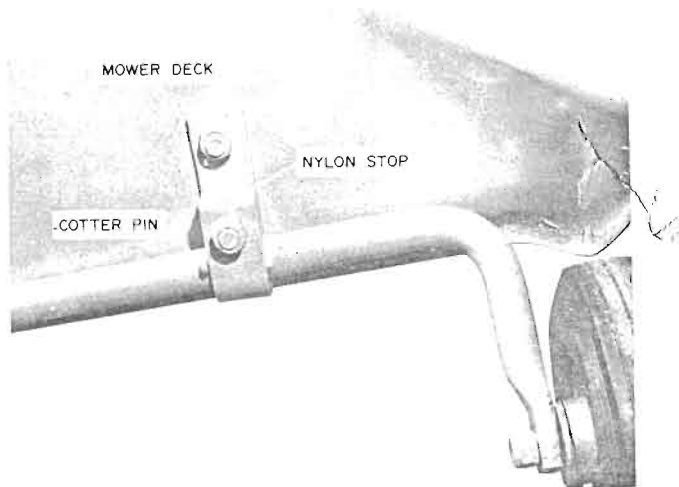


fig 3

4. Install a cotter pin in hole through axle just left of right side axle support. The cotter pin is not to interfere with the mower deck, fig 3.

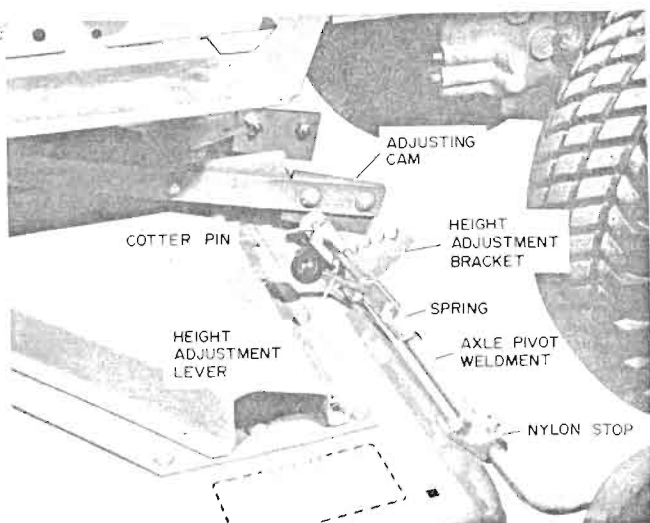


fig 4

5. Slide height adjustment lever in the 2 slots of the axle weldment. Fasten it with 2 cotter pins. Connect spring to height adjustment lever and axle. Screw knob on lever, fig 4.

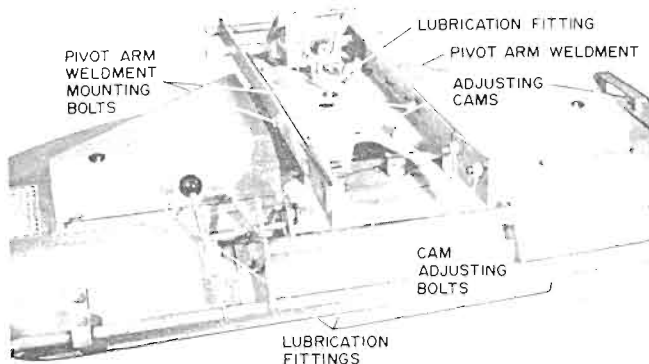


fig 5

6. Bolt pivot arm weldment to gearbox housing support; bolt heads outside, nuts and washers to the inside, fig 5.
7. Apply a light coat of general purpose grease to splined portion of gearbox drive shaft. Slide female end of the drive shaft universal joint onto the gearbox shaft. Be sure that bolt holes align. Fasten the "U" joint to gearbox shaft with bolt and locknut: Items 10, 12, 13 and 19, fig 5.
8. Apply heavy coat of general purpose grease to rectangular male shaft. Slide it into female shaft. Wipe off excess grease. The mower is now ready for initial lubrication.

LUBRICATION

1. There are 7 grease fittings on the mower. After initial lubrication each point is to be relubricated every 8 HOURS of operation or more often when used in severe dust and/or grit conditions.

Spindle bearing housings.....	3
Idler pivot arm	1
Drive shaft.....	1
Gauge wheels.....	2

Note: Before relubricating, wipe fittings clean so as not to force dirt into grease fittings.

2. Blade spindle bearings are lubricated from the top of the deck through grease fittings, Items 52 and 53. When bearing housing is full, excess will come out the end of the housing.
3. The idler pivot arm is lubricated from the rear of the deck through the grease fitting on the bushing. Add grease until it comes out around the stud.

4. The drive shaft is lubricated from the top of the mower through the grease fitting on the female end "U" joint. Add grease until it comes out about the rectangular shaft, Items 9, 10 and 12, fig 5.

5. Gauge wheels are lubricated through grease fittings on the wheel hubs. Add grease until it comes out around the bushing. Items 86 and 87.

6. The gearbox is prelubricated and only needs visual inspection. If signs of leakage are present, refill box to its capacity with general purpose grease. Do not damage gasket, Items 17 and 18.

7. FRONT MOUNT KIT: There are 5 grease fittings on the assembly. After initial lubrication each point is to be relubricated every 8 HOURS of operation or more often when used in severe dust and/or grit conditions.

Caster wheels.	2
Caster fork	2
Pivot pin weldment	1

MOUNTING

Riding Tractors, Center Mounting

1. Slide lift pivot on lift rod with groove pin extended towards bend in lift rod, Items 41, 43 and 69.

2. Run one jam nut 3/4 of the way on threaded portion of lift rod. Keeping it in position, jam other nut tightly against it, Items 42 and 43.

3. Lower equipment lift all the way down. Turn lift rod upside down (bent portion up) and put lift pivot in second hole from the end of the lift weldment. Put it in from the left side, fig 6.

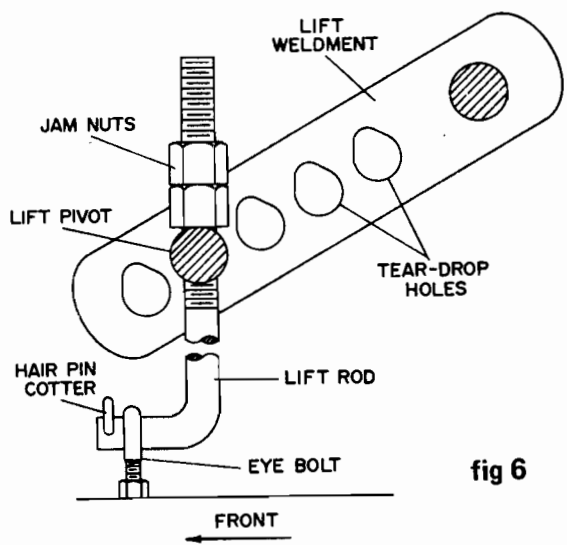


fig 6

4. Rotate lift rod to right-side-up position (bent part down) and raise equipment lift all the way up.

5. Set mower on a smooth surface. Set height adjustment lever in the lowest position (most forward notch). Slide mower under tractor.

6. Lower equipment lift all the way down. Connect bent portion of lift rod to eye bolt, Items 33 and 43. Secure together with hair pin cotter, Item 38.

7. Open equipment latches on frame. With equipment lift, raise mower and guide hanger assembly into the latches. Lock latches closed with hair pin cotters.

8. Lower mower all the way down. Apply a light coat of general purpose grease to splined PTO shaft. Connect drive shaft collar to PTO shaft (power take-off) of transmission. Be sure collar "clicks" into position on PTO shaft.

A. Twist Type Collar: Rotate collar ring in direction of arrow on ring and hold. Slide collar half way on shaft. Release ring and continue sliding on shaft until collar "clicks" and locks in position.

B. Slide Type Collar: Slide collar ring towards "U" joint and hold. Slide collar half way on shaft. Release ring and continue sliding on shaft until collar "clicks" and locks in position.

Convertible Tractors, Frount Mounting

9. Fasten quick hitch kit to Convertible Tractor.

10. Apply light coat of general purpose grease to PTO shaft and pivot pin of quick hitch kit.

11. Connect front mount kit to pivot arm of mower.

12. Slide the pivot pin of the quick hitch into the front mount kit and secure with washer and "klik" pin.

13. Connect the drive shaft to the PTO shaft as in paragraph 8.

14. Lubricate front mount kit as described in LUBRICATION, paragraph 7.

SAFE OPERATION PRACTICES

PREPARATION

1. Read the Tractor Owner's Manual carefully. Be thoroughly familiar with the controls and proper use of the equipment. Know how to stop the unit and disengage the controls quickly.
2. Do not allow children to operate vehicle. Do not allow adults to operate it without proper instructions.
3. Thoroughly inspect the work area where the equipment is to be used and remove all stones, glass, metal, bones, sticks, wires and any other foreign objects. Stay alert for holes and other hidden hazards.
4. Disengage all clutches and shift into neutral before starting engine.
5. Do not put hands or feet near or under rotating parts.
6. Do not wear loose fitting clothing or accessories that might get caught in moving parts or on the controls. Keep hands, feet, hair, clothing, etc., away from moving parts.
7. Never operate the equipment in wet grass. When operating a walking tractor, always be sure of your footing; keep a firm hold on the handles and walk, never run.
8. Do not operate the equipment when barefoot or wearing open sandals. Always wear substantial footwear and eye protection.
9. Never attempt to make any adjustments while engine is running.
10. Never operate the equipment without good visibility and light.
11. Handle fuel with care, it is highly flammable.
 - (A) Do not smoke while handling fuel.
 - (B) Use approved fuel container.
 - (C) Never add fuel to a running engine or hot engine.
 - (D) Fill fuel tank out doors with extreme care. Never fill fuel tank indoors.
 - (E) Replace gasoline cap securely and wipe up spilled fuel.
 - (F) Always fill electric start tractors with tractor hood in the closed position.

OPERATION

1. Exercise caution, especially when operating in reverse.
2. Do not operate equipment except from proper operator's position.
3. Keep safety devices and shields in place at all times.
4. Do not allow passengers to accompany the operator at any time.
5. Disengage PTO before crossing a gravel drive, walks or roads, and when transporting equipment. Stay alert for hidden hazards or traffic.
6. Use extreme caution when operating on slopes. Reduce speed on all slopes and sharp turns. Exercise extreme caution when changing direction on slopes.
7. Riding tractors mow up or down the face of slopes. Walking tractors mow across the face of slopes. DO NOT mow excessively steep slopes.
8. Never direct discharge of material toward bystanders nor allow anyone near the equipment while in operation.
9. After striking a foreign object, stop the engine and put the PTO in the OUT position before inspecting for damage. Any damage must be repaired before restarting the equipment.
10. Before cleaning, repairing, or inspecting, make certain the blade and all moving parts have stopped. Remove the key and disconnect the sparkplug wire to prevent accidental starting.
11. If the unit should start to vibrate abnormally, stop the engine, disengage the PTO, and check for the cause. Abnormal vibration is generally a warning of trouble. If unable to locate cause, call your service dealer.
12. Take all possible precautions when leaving equipment unattended. Shift into neutral, disengage PTO, stop engine, and remove the key. On riding tractors, lower attachment and set parking brake.
13. Do not run engine indoors, except when starting engine and for transporting equipment in or out of building. Open outside doors as exhaust fumes are dangerous.

14. To reduce fire hazard, keep the engine and mower free of grass, leaves, or excessive grease.
15. Do not change the engine governor settings or overspeed the engine.
16. Never operate machine at high transport speeds on slippery surfaces.
17. Check the blade mounting bolts for proper tightness at frequent intervals.

ADJUSTMENTS

Cutting height is controlled with lever on left side of mower. Move the lever forward for a low cut and backward for a high cut.

ADJUSTMENT PROCEDURE:

1. Park the tractor on level ground and set parking brake as described in the Tractor Owners Manual.
2. Lower mower lift to lowest position on manual lift tractors, to float position on hydraulic equipped tractors.
3. Select the most desirable cutting height using the height control lever.
4. Loosen the bolts securing the adjusting cams until they can be moved by hand. Items 96, 95 and 68.

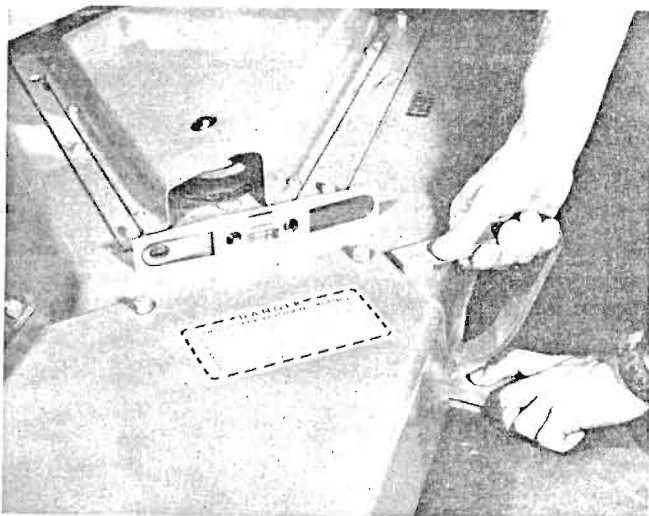


fig 7

5. Using a hand level on the flat portion of the mower deck, (from front to back) block the front (only) of the mower deck up until a level position is obtained. See fig 7.

NOTE: Mower deck should then be blocked on or about 1/8" above level.

Do this each side of mower deck, ie right and left side at the front.

6. By hand, push the front of the adjusting cam down as tight as possible against the pivot weldment axle, (Items 79 and 95, 50" mower) (Items 79 and 93, 40" mower) and tighten all bolts securely. See fig 8.

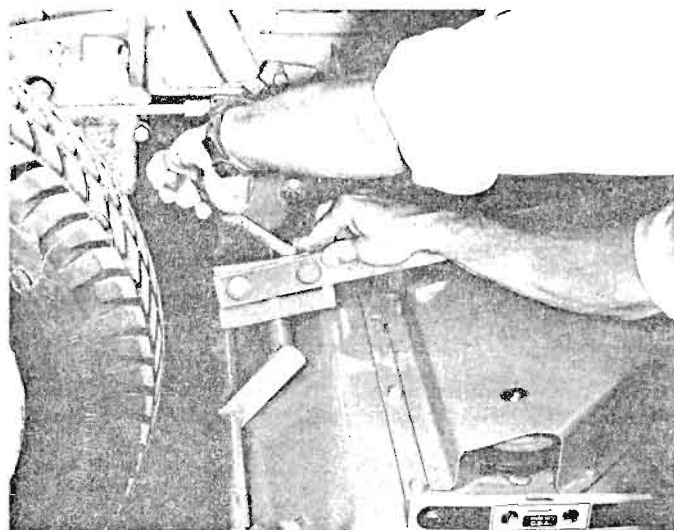


fig 8

7. When cutting height of mower is changed and a finer adjustment is desired, follow the ADJUSTMENT PROCEDURE as described above.

This adjustment is shown on the riding tractor. Use the same procedure for the walking tractor.

8. Blade Removal
 - A. Remove mower from The Tractor and turn mower upside down.
 - B. Remove nuts, washers, and blades, Item 55, 56 and 57. Wedge a piece of wood between blade and deck to keep the blade from turning. It is not necessary to remove blade cradles.
9. Blade Installation
 - A. Set blades in cradles, items 57 and 58. The lift portion of the blades points toward mower deck.
 - B. Put on washers and torque nuts to 50 ft. lbs. Wedge a piece of wood between blades and deck housing to keep blades from turning.
10. Belt Tension
 - A. Remove right side belt cover and loosen jam nut on the end of the rod, Items 73 and 76.

- B. Tighten the other jam nut against spring leaving an .010" to .015" air gap between coils of spring (approximate thickness of a match pack cover).
- C. Tighten end of jam nut against adjusting jam nut.
- D. Replace belt cover.

6. **MULCHING:** Plan a mowing pattern so as to discharge cutting on grass that has yet to be mowed. The mower will then mow cut and uncut grass at the same time discharging a fine mulch. Slower ground speed is usually necessary for mulching than for normal mowing. Keep the engine at full throttle.

ROUTINE MAINTENANCE

1. Perform all lubrications as described in LUBRICATION.
2. Check each spindle shaft nut before each operation to assure tightness; see ADJUSTMENT.
3. Check all nuts and bolts every 24 HOURS of operation to assure tightness.

Note: Some nuts and bolts can be visually inspected for tightness but nuts such as the spindle nuts should always be checked with a wrench.



4. Inspect each blade for sharpness before each operation. Resharpener and balance them when they become dull. When blades are removed for sharpening, inspect for surface cracks. Discard any blade that has evidence of metal fatigue and/or cracks. Pay particular attention to the metal around the center hole.

5. Clear the mower of cuttings and debris. Do not allow build-up of cuttings and debris.

6. Inspect the gearbox drive for leakage before each operation. If signs of leakage are present, refill the gearbox with general purpose grease, Item 18. If there is significant leakage a repair should be made.

7. The following information is for identification of universal joints, Item 34 of fig 1 and 2, Illustrated Parts Lists.

Brand of Universal joints are identified by the end of the bearing cap.

Neapco	=		=	Repair Kit 20573P1
Rockwell	=		=	Repair Kit 12134P

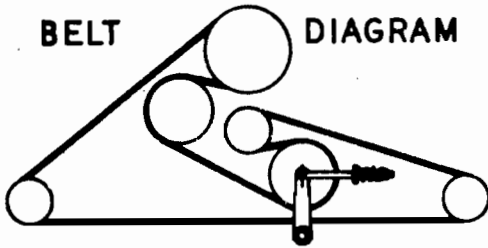


fig 9

11. Belt Replacement
 - A. Remove mower from The Tractor and take off left and right belt covers.
 - B. Unbolt gear housing support from deck and remove old belt.
 - C. Put on new belt as per diagram on mower deck and loosen belt tension, fig 9.
 - D. Bolt gear housing support and left side belt cover back on deck.
 - E. Adjust belt tension and replace right side belt cover.

OPERATION

1. Read The Tractor Owners Manual. Follow safety and operating instructions to engage and disengage the PTO (power take-off).

2. After PTO is engaged, run engine at full throttle.

3. Select a ground speed fast enough to get the job done, yet slow enough to give a clean cut. Some trials may be necessary to find an optimum ground speed (for a particular stand of grass) to give a satisfactory cut.

4. In thick, lush growth reduce ground speed (not engine speed) to allow the mower enough (more) time to cut and discharge. Stop and shift to a lower gear to reduce ground speed.

5. **NORMAL MOWING:** Plan a mowing pattern so as to avoid discharging onto grass that has not been cut yet. Mowing grass with cuttings on top of it decreases the efficiency of the mower and is only necessary when mulching is desired. Keep the engine at full throttle.

REMOVAL

Disconnecting Locking Collars

TWIST TYPE: Rotate collar ring in direction of arrow and pull collar off PTO shaft.

SLIDE TYPE: Pull on collar ring until collar comes off PTO shaft.

RIDING TRACTORS

1. As with mounting the mower on riding tractors removal is most easily accomplished on smooth pavement.
2. With mower in transport position (fully raised) adjust cutting height to lowest position and open equipment latches.
3. Lower mower and disconnect lift rod from mower. Disconnect drive shaft from transmission.
4. Carefully, slide mower from under chassis. Remove lift rod and reconnect to mower for storage.

CONVERTIBLE TRACTORS

5. Disconnect drive shaft from quick hitch PTO.
6. Remove "klik" pin and washer from pivot pin of quick hitch.
7. Pull The Tractor from the mower.
8. Put washer and "klik" pin back on pivot pin for storage.

STORAGE

1. After removing mower from The Tractor, reconnect lift rod to mower so it won't be misplaced.
2. Clear mower of all cuttings and debris.
3. Perform all lubrications.
4. Apply a light coat of oil to preserve finish and appearance.

Free Manuals Download Website

<http://myh66.com>

<http://usermanuals.us>

<http://www.somanuals.com>

<http://www.4manuals.cc>

<http://www.manual-lib.com>

<http://www.404manual.com>

<http://www.luxmanual.com>

<http://aubethermostatmanual.com>

Golf course search by state

<http://golfingnear.com>

Email search by domain

<http://emailbydomain.com>

Auto manuals search

<http://auto.somanuals.com>

TV manuals search

<http://tv.somanuals.com>