



GREENHECK

Greenheck Test Switch GTS-1, GTS-2, GTS-3, & GTS-4

Greenheck Test Switches (GTS-1, GTS-2, GTS-3, and GTS-4) are used in dynamic smoke management systems containing Combination Fire Smoke Dampers.

GTS-1 and GTS-2 is a ship loose single control panel for use in dynamic smoke management systems to be used on combination fire smoke dampers equipped with TOR.

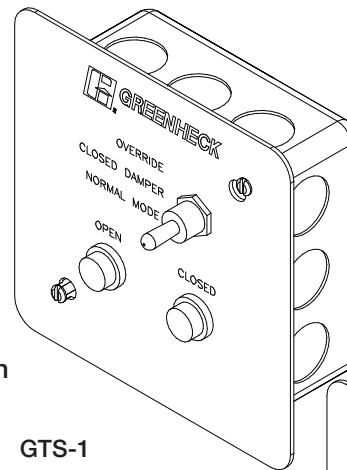
GTS-1 control panel has red indicator light for closed damper, green for open damper. GTS-2 has a key switch with red indicator light for closed damper, green for open damper. The LED lights are replaceable.

GTS-1 and GTS-2 has a three position control switch with the following options:

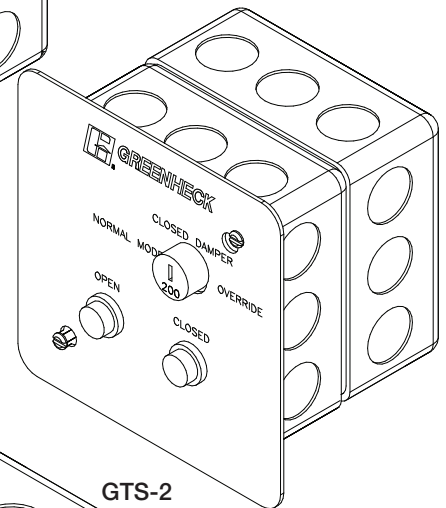
- **Normal** position - The combination fire smoke damper remains open until closed by elevated temperature.
- **Closed** position - The damper closes and remains closed regardless of any sensor signal.
- **Override** position - The damper opens and remains open until any limit sensor signals the damper to close.

GTS-3 is a ship loose control panel that can be used on combination fire smoke dampers with RRL/OCI or OCI. This test switch has open and close indicator lights with momentary test switch.

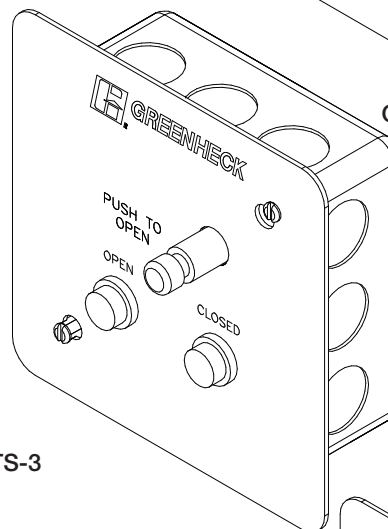
GTS-4 is a ship loose control panel that can be used with combination fire smoke dampers with RRL/OCI, OCI or TOR. This test switch has open and close indicator lights.



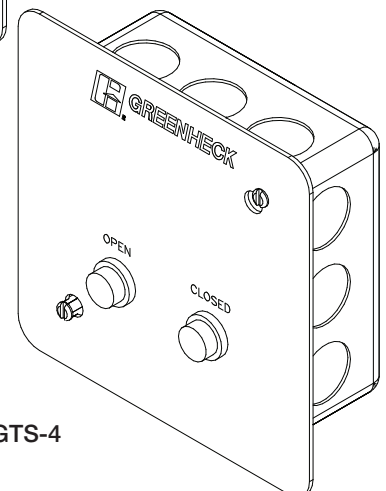
GTS-1



GTS-2



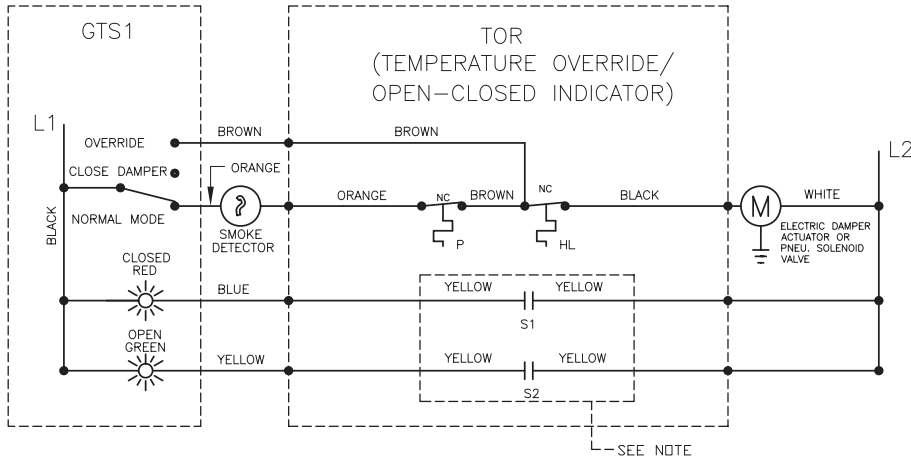
GTS-3



GTS-4

Wiring Diagrams

GTS-1

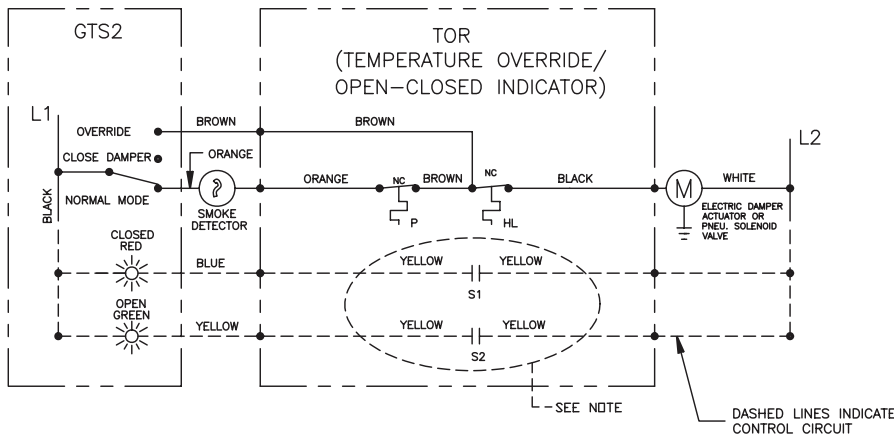


ELECTRICAL CAPACITY = 10AMP , 120 / 240 VAC

HL = HIGH LIMIT SENSOR
 P = PRIMARY TEMP SENSOR
 S1 = DAMPER POSITION INDICATION SWITCH, CLOSED WHEN DAMPER IS CLOSED.
 S2 = DAMPER POSITION INDICATION SWITCH, CLOSED WHEN DAMPER IS OPEN

NOTE:
 THE SWITCH WIRES WRAPPED WITH A BLUE MARKER INDICATE THE CLOSED POSITION OF THE DAMPER. SHIPPED LOOSE FOR FIELD INSTALLATION.

GTS-2



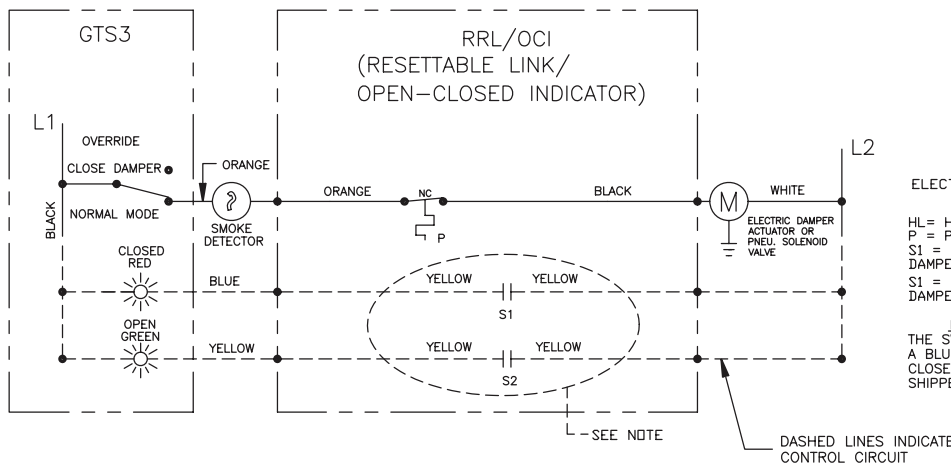
ELECTRICAL CAPACITY = 10AMP , 120 / 240 VAC

HL = HIGH LIMIT SENSOR
 P = PRIMARY TEMP SENSOR
 S1 = DAMPER POSITION INDICATION SWITCH, CLOSED WHEN DAMPER IS CLOSED.
 S2 = DAMPER POSITION INDICATION SWITCH, CLOSED WHEN DAMPER IS OPEN

NOTE:
 THE SWITCH WIRES WRAPPED WITH A BLUE MARKER INDICATE THE CLOSED POSITION OF THE DAMPER. SHIPPED LOOSE FOR FIELD INSTALLATION.

DASHED LINES INDICATE CONTROL CIRCUIT

GTS-3



ELECTRICAL CAPACITY = 10AMP , 120 / 240 VAC

HL = HIGH LIMIT SENSOR
 P = PRIMARY TEMP SENSOR
 S1 = DAMPER POSITION INDICATION SWITCH, CLOSED WHEN DAMPER IS CLOSED.
 S2 = DAMPER POSITION INDICATION SWITCH, CLOSED WHEN DAMPER IS OPEN

NOTE:
 THE SWITCH WIRES WRAPPED WITH A BLUE MARKER INDICATE THE CLOSED POSITION OF THE DAMPER. SHIPPED LOOSE FOR FIELD INSTALLATION.

DASHED LINES INDICATE CONTROL CIRCUIT



Copyright © 2006 Greenheck Fan Corporation
 GTS-1, 2, 3, & 4 rev. 5 November 2006

Free Manuals Download Website

<http://myh66.com>

<http://usermanuals.us>

<http://www.somanuals.com>

<http://www.4manuals.cc>

<http://www.manual-lib.com>

<http://www.404manual.com>

<http://www.luxmanual.com>

<http://aubethermostatmanual.com>

Golf course search by state

<http://golfingnear.com>

Email search by domain

<http://emailbydomain.com>

Auto manuals search

<http://auto.somanuals.com>

TV manuals search

<http://tv.somanuals.com>