

**INSTALLATION INSTRUCTION SUPPLEMENT**

Refer to:  
 'Installation Instructions for FD, DFD, SSFD, SSDFD, & KFD Series Curtain Fire Dampers' (Part #452763)  
 or  
 'Installation Instructions for FD and DFD 150X Series Curtain Fire Dampers' (Part #453946)  
 or  
 'Installation, Operation and Maintenance Instructions for SMD-XXX, SESMD-XXX, SSSMD-XXX Series Smoke Dampers' (Part #461338)  
 or  
 'Installation, Operation and Maintenance Instructions for FSD-XXX, SSFSD-XXX, DFD-2XX, & CFSD-XXX Series Fire & Combination Fire Smoke Dampers' (Part #461336) for additional details.

**"UL CLASSIFIED**  
 (see complete marking on product)"  
**"UL CLASSIFIED to Canadian safety standards**  
 (see complete marking on product)"  
 Standards UL 555 & 555S  
 Classifications Filed at UL under Listing #R13317



Greenheck drive slip connections (S & Drive) are used on the side of the hemmed sleeves and the S-slip joints are used on the top and bottom. Standard drive slips are UL tested breakaway connections on dampers 20 in. (508mm) high and less.

**Installation**

Greenheck Dampers may be supplied with factory hemmed 20 ga. (1mm) sleeve for use with drive slip and s-slip joints. Sleeves and duct may be field hemmed by folding back the vertical sides a maximum of 1/2 in. (13mm) (as shown in Figure 1) to accommodate the 1 in. (25mm) wide drive slip.

Join damper sleeve to duct at top and bottom sides using any s-slip (See Figure 2).

Drive slip connection is used to connect the vertical sides of the damper sleeve to the duct. Cut a length of drive slip connection a maximum of 4 in. (102mm) longer than the vertical duct dimension. Guide the drive slip connection onto the side members securing it over the hemmed edges until the connection extends beyond the top and bottom sides of the damper sleeve/ duct. The extra length should be hammered flat overlapping all four corners.

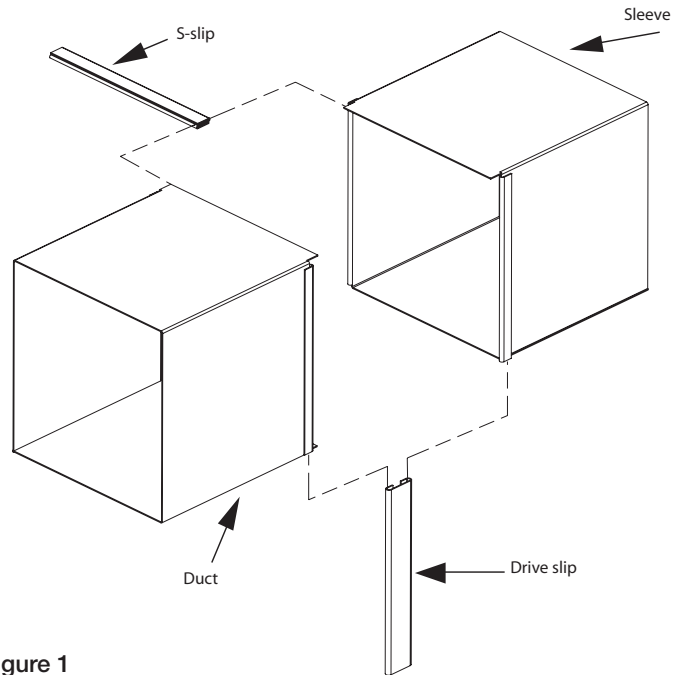
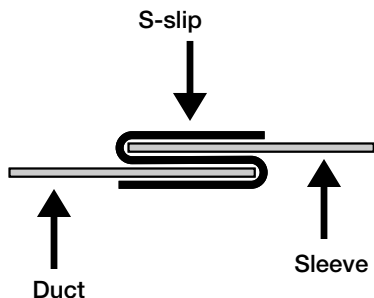
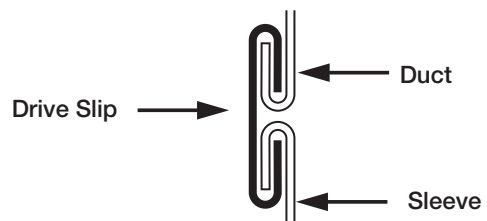


Figure 1



Top and Bottom  
 Duct to Sleeve Connection

Figure 2



Vertical Sides Duct  
 to sleeve connection

Figure 3

## Free Manuals Download Website

<http://myh66.com>

<http://usermanuals.us>

<http://www.somanuals.com>

<http://www.4manuals.cc>

<http://www.manual-lib.com>

<http://www.404manual.com>

<http://www.luxmanual.com>

<http://aubethermostatmanual.com>

Golf course search by state

<http://golfingnear.com>

Email search by domain

<http://emailbydomain.com>

Auto manuals search

<http://auto.somanuals.com>

TV manuals search

<http://tv.somanuals.com>