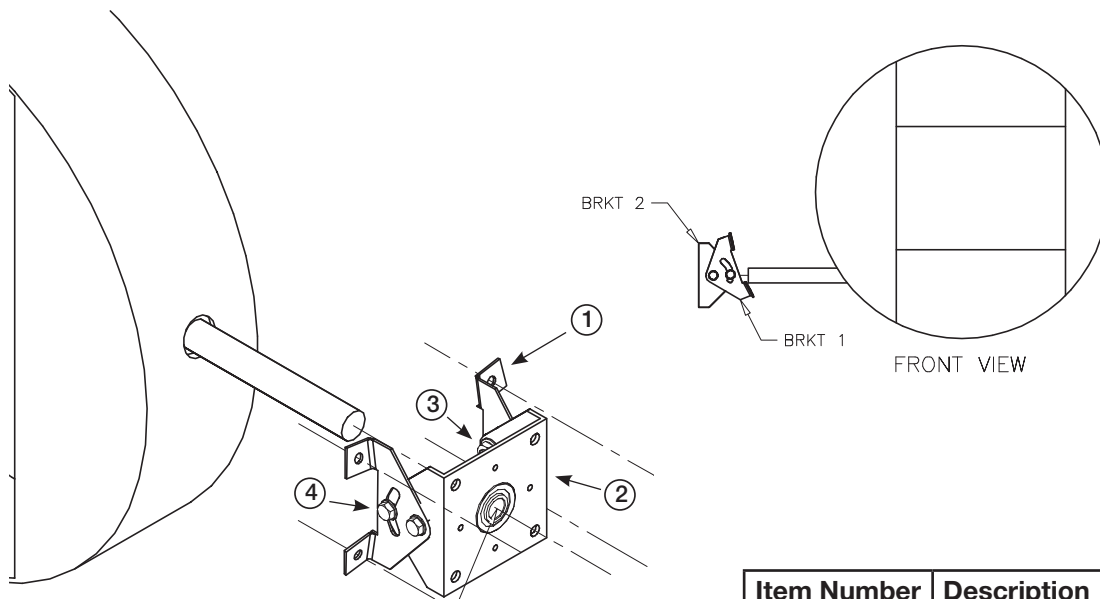
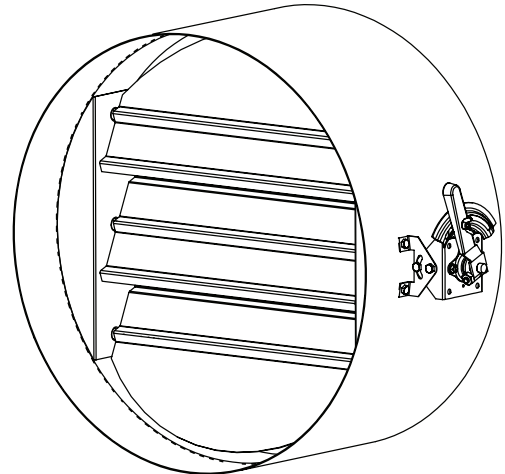


Installation Instructions of Extension Pin Kit:

- 1) Assemble loosely swivel brackets (item #1) onto the swivel plate (item #2) with nuts (item #3) and bolts (item #4) provided.
- 2) Line up centerline of hole in swivel plate (item #2) with the centerline of the damper shaft. Slide the assembly onto the damper shaft until the four mounting feet of swivel bracket (item #1) are in contact with the duct.
- 3) Attach swivel brackets (item #1) to duct using fasteners supplied by installer. Maintain center alignment and adjustment of swivel plate (item #2) so that the face of the bracket is perpendicular with the damper shaft.
- 4) Tighten nuts (item #3) and bolts (item # 4) to lock swivel bracket (item #1) to swivel plate (item #2).



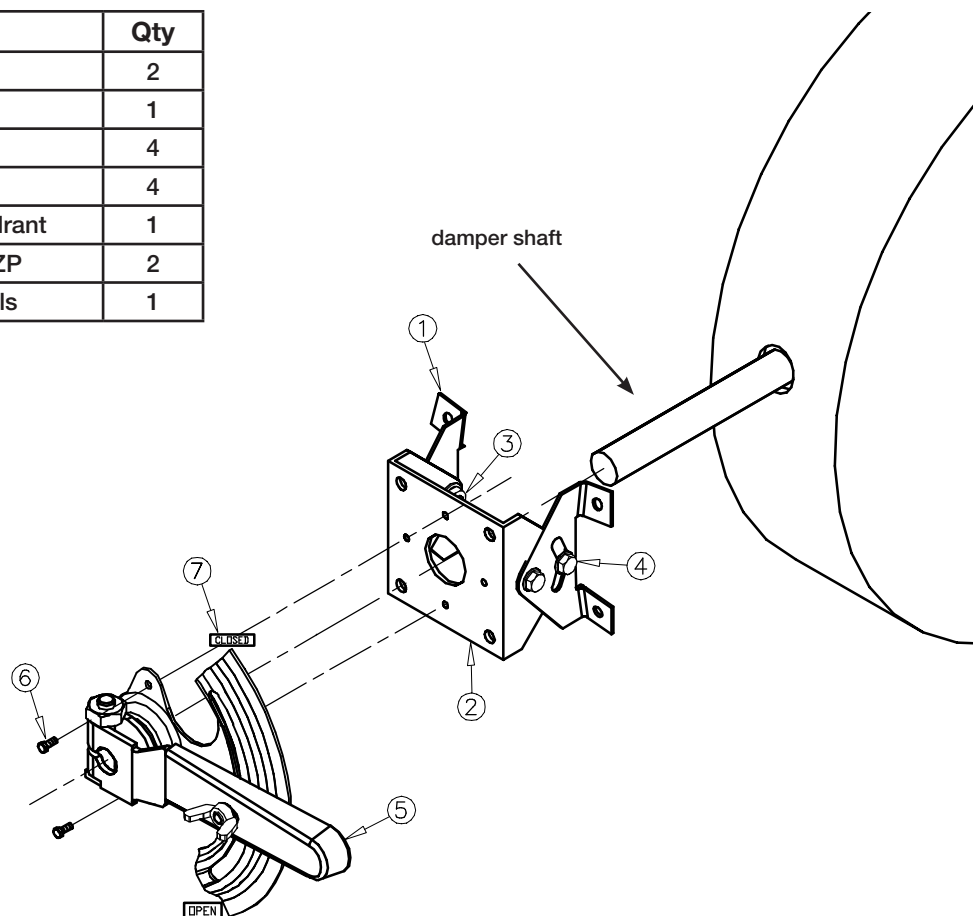
NOTE: BEARING MAY NOT BE NEEDED FOR SOME APPLICATIONS.

Item Number	Description	Qty
1	Swivel Bracket	2
2	Swivel Plate	1
3	1/4-20 Spinlock Nut	4
4	1/4-20 Spinlock Bolt	4

Installation Instructions for Manual Quadrant Kit:

- 1) Place OPEN decal (item #7) over SHUT stamp and CLOSED decal (item #7) over OPEN stamp on the manual quadrant (item #5).
- 2) Attach manual quadrant (item #5) to swivel plate (item #2) using #10 x 1/2" HWH TEK screws (item #6).
- 3) Assemble loosely swivel brackets (item #1) onto the swivel plate (item #2) with nuts (item #3) and bolts (item #4) provided.
- 4) Line up centerline of hole in swivel plate (item #2) with the centerline of the damper shaft. Slide the assembly onto the damper shaft until the four mounting feet of swivel bracket (item #1) are in contact with the duct.
- 5) Attach swivel brackets (item #1) to duct using fasteners supplied by installer. Maintain center alignment and adjustment of swivel plate (item #2) so that the face of the bracket is perpendicular with the damper shaft.
- 6) Tighten nuts (item #3) and bolts (item #4) to lock swivel bracket (item #1) to swivel plate (item #2).
- 7) Place quadrant lever in open position and damper blades in full open position.
- 8) Tighten bolt on manual quadrant (item #5) to secure it to the damper shaft.
- 9) Adjust damper open/closed position to desired setting.
- 10) Tighten manual quadrant with wing nut.

Item Number	Description	Qty
1	Swivel Bracket	2
2	Swivel Plate	1
3	1/4-20 Spinlock Nut	4
4	1/4-20 Spinlock Bolt	4
5	1/2 in. dia. Manual Quadrant	1
6	#10 x 1/2 in. HWH TEK ZP	2
7	OPEN and CLOSE Decals	1



P.O. Box 410 • Schofield, WI 54476-0410 • 715.359.6171 • greenheck.com

Copyright © 2007 Greenheck Fan Corporation
470998 Ext Pin & Man Quad Kit for VCDRM
Rev. 1 September 2007

Free Manuals Download Website

<http://myh66.com>

<http://usermanuals.us>

<http://www.somanuals.com>

<http://www.4manuals.cc>

<http://www.manual-lib.com>

<http://www.404manual.com>

<http://www.luxmanual.com>

<http://aubethermostatmanual.com>

Golf course search by state

<http://golfingnear.com>

Email search by domain

<http://emailbydomain.com>

Auto manuals search

<http://auto.somanuals.com>

TV manuals search

<http://tv.somanuals.com>