

Dynamic Rated Fire Dampers

1 1/2 Hour Fire Resistance Rating (UL555)

4 Hour Fire Resistance Rating (BS476)

APPLICATION

Model DFD-M150 is approved for use in walls, floors and partitions with fire resistance ratings less than 3 hours. This model carries a 1 1/2 hour UL fire damper label. UL 555 classifies dynamic rated fire dampers for use in HVAC systems that are operational in the event of fire.

Model DFD-M150 has also been tested in accordance with BS476 to 4 hours at Warrington Fire, UK, and is approved for fire partitions of 4 hours or less where British Standards are required.

CONSTRUCTION

Galvanized steel (in gauges required by UL listing R-13317)

INSTALLATION

All fire damper installations require the use of sleeves, angles and methods described in Greenheck Fire Damper Installation Instructions #452763, included with every damper shipment. Sleeves can be field fabricated or factory furnished as a complete damper/sleeve assembly. See Factory Sleeve Option below for details.

Model DFD-M150 meets the requirements for fire dampers established by:

National Fire Protection Association
(NFPA Standards 80, 90A & 101)

Underwriters Laboratories Standard 555 (Listing #R-13317)

BOCA National Building Codes

ICBO Uniform Building Codes (UBC Standard 43-7)

SBCCI Standard Building Codes

New York City (MEA listing #260-91-M)

California State Fire Marshall

(Listing #3225-981:102 for use in walls)

British Standard BS476

Tested to 4 hours at Warrington Fire, UK

"UL CLASSIFIED (see complete marking on product)"

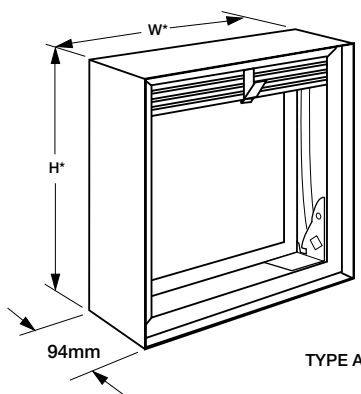
"UL CLASSIFIED to Canadian safety standards (see complete marking on product)"

Standard 555 (Listing #R13317)

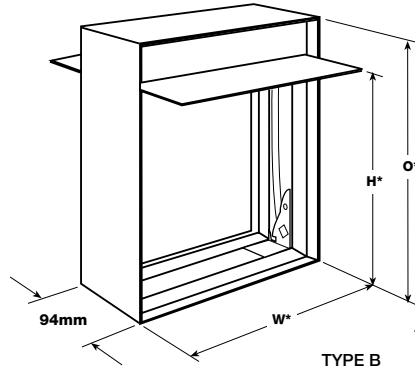


Features:

- Stainless steel closure springs
- Fusible links (69° C for BS476, 74°C standard for UL, 100°C available)
- Can be mounted horizontally or vertically.



TYPE A



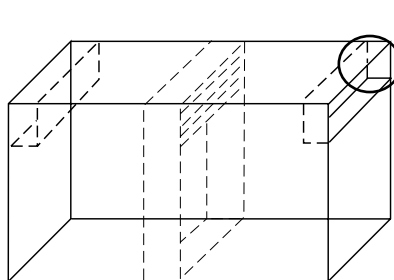
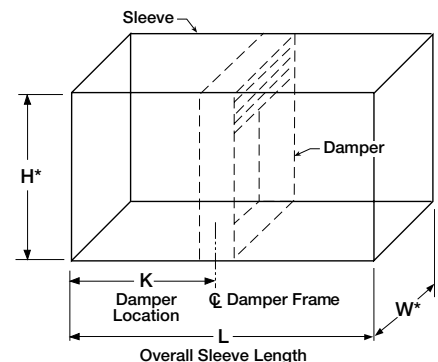
TYPE B

* These dimensions are furnished approximately 6mm undersize.

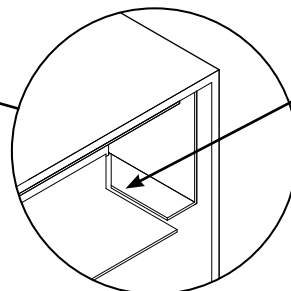
FACTORY SLEEVE OPTION

DFD-350 Fire Dampers are available in factory furnished sleeves. Sleeves are galvanized steel and are available in 1.0mm - 1.5mm thicknesses and lengths up to 914mm.

"K" dimension specifies location of damper within the sleeve. Minimum is 102mm, maximum is "L" less 102mm, which allows for mounting angle installation and duct connection at each end of sleeve. If "K" dimension is not specified, it will be provided as one half of "L" dimension (damper centered in sleeve).



Type B with sleeve



Type B corner profile

When sealed option is selected, B transitions will need to be field sealed in the area where duct to sleeve connection is made.

DFD-M150 Type A

SIZING AND ASSEMBLY DATA

Dampers larger than maximum single section size are supplied in 2 or more sections of equal size. If ordered with a factory sleeve, multi-section dampers are factory assembled ready for installation. If ordered without a factory sleeve, multi-section dampers require field assembly. (See Greenheck Fire Damper Installation Instructions #452763)

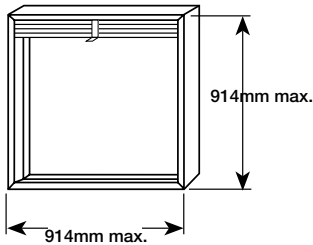
The following chart and illustrations show minimum and maximum damper section size and assembly configurations for multi-section dampers.

SIZE LIMITATIONS

mm	Vertical or Horizontal	
	Single Section	Multi-Section
Minimum	102 x 102	NA
Maximum	① 914 x 914	② 2438 x 1219 or ③ 3048 x 1016

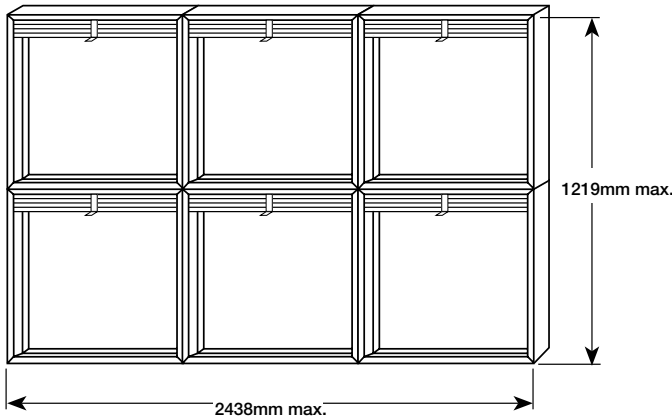
Installation of sizes larger than the maximums shown requires approval of the authority having jurisdiction.

① Maximum Single Section Dimensions



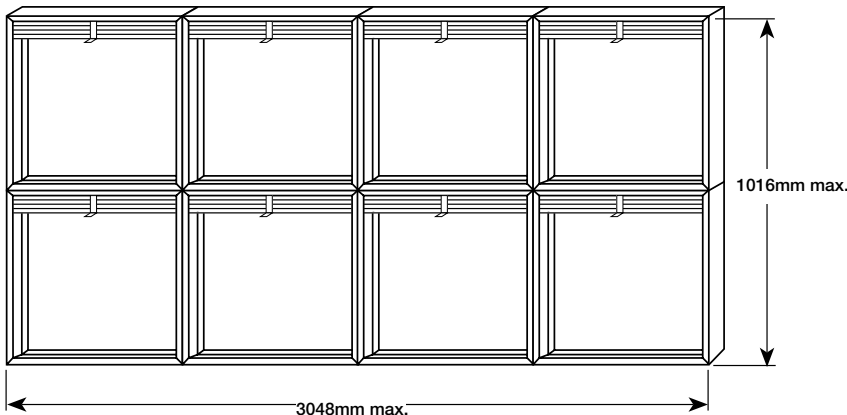
② Multi-Section Limitations

Maximum damper height is 1219mm when combination width is 2438mm or less.

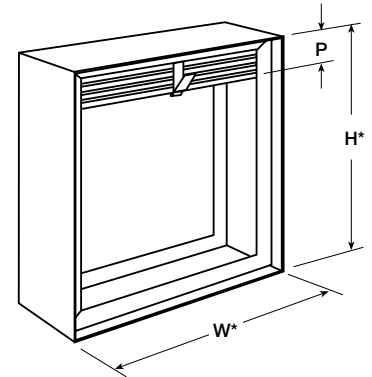


③ Multi-Section Limitations

Maximum damper height is 1016mm when combination width is greater than 2438mm and less than or equal to 3048mm.



Blade Stack Dimensions



H*	P
102	20
127	20
152	23
178	28
203	30
229	33
254	33
279	36
305	41
330	43
356	46
381	46
406	51
432	53
457	56
483	58
508	61
533	66
559	66
584	69
610	74
635	79
660	81
686	81
711	84
737	86
762	91
787	94
813	94
838	99
864	99
889	104
914	107

* These dimensions are furnished approximately 6mm undersize. (Dimension in mm)

DFD-M150 Type B

SIZING AND ASSEMBLY DATA

Dampers larger than maximum single section size are supplied in 2 or more sections of equal size. If ordered with a factory sleeve, multi-section dampers are factory assembled ready for installation. If ordered without a factory sleeve, multi-section dampers require field assembly. (See Greenheck Fire Damper Installation Instructions #452763)

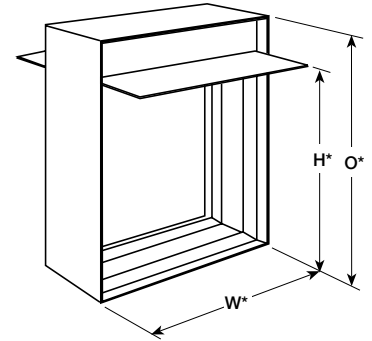
The following chart and illustrations show minimum and maximum damper section size and assembly configurations for multi-section dampers.

SIZE LIMITATIONS

mm	Vertical or Horizontal	
	Single Section	Multi-Section
Minimum	102 x 102	NA
Maximum	914 x 813	1219 x 813

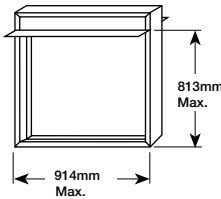
Installation of sizes larger than the maximums shown requires approval of the authority having jurisdiction.

Overall Damper Dimensions



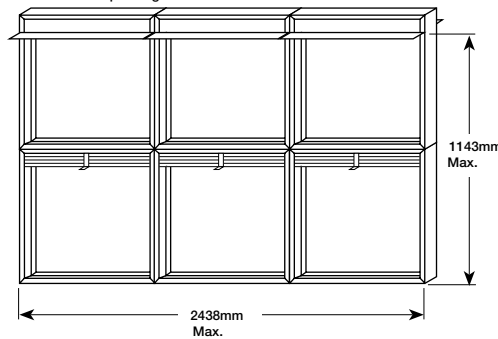
H*	O*
76	127
102	152
127	178
152	203
178	229
203	254
229	279
254	305
279	330
305	356
330	381
356	406
381	432
406	457
432	483
457	508
483	533
508	559
533	584
559	610
584	635
610	660
635	686
660	711
686	737
711	762
737	787
762	813
787	838
813	864
838	889
864	914

① Maximum Single Section Dimensions



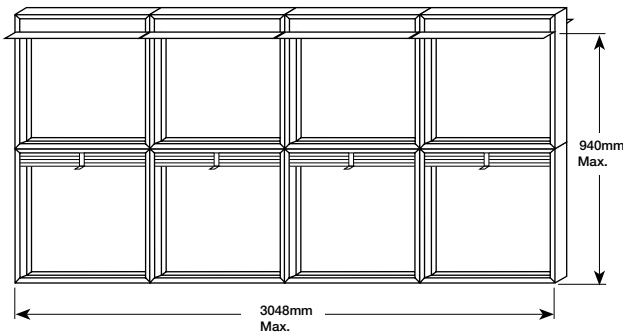
② Multi Section Limitations

Maximum damper height is 1143mm when combination width is 2438mm or less.



③ Multi Section Limitations

Maximum damper height is 940mm when combination width is greater than 2438mm and less than or equal to 3048mm.



* These dimensions are furnished approximately 6mm undersize. (Dimension in mm)

DFD-M150 Type R

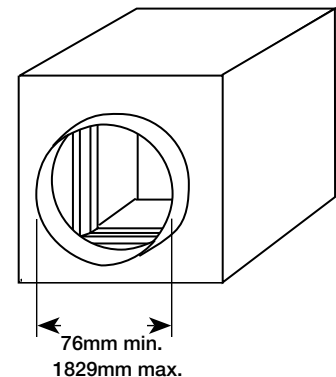
Sizing and Assembly Data

Dampers larger than maximum single section size are supplied as a factory assembly of two or more sections of equal size.

Transition is centered on damper frame (or frame assembly for multiple section dampers).

SIZE LIMITATIONS

	Vertical or Horizontal	Vertical Only
Minimum	76mm dia.	NA
Maximum	1168mm dia.	1829mm dia.



P.O. Box 410 • Schofield, WI 54476-0410 • 715.359.6171 • greenheck.com

Copyright © 2006 Greenheck Fan Corporation
DFD-M150 Rev. 4 December 2006

Free Manuals Download Website

<http://myh66.com>

<http://usermanuals.us>

<http://www.somanuals.com>

<http://www.4manuals.cc>

<http://www.manual-lib.com>

<http://www.404manual.com>

<http://www.luxmanual.com>

<http://aubethermostatmanual.com>

Golf course search by state

<http://golfingnear.com>

Email search by domain

<http://emailbydomain.com>

Auto manuals search

<http://auto.somanuals.com>

TV manuals search

<http://tv.somanuals.com>