

Static Rated Round Fire Dampers

1 1/2 Hour Fire Resistance Rating

Application and Design

Model FDR-510 is a round fire damper for use in walls or partitions with less than 3 hour fire resistance rating. It is qualified to be mounted vertically and horizontally. This model carries a 1 1/2 hour UL fire damper label. UL555 classifies static rated fire dampers for use in HVAC systems that are automatically shut down in the event of fire.

Ratings

Temperature: 165° F (74°C)

Standard Construction

- Frame/Sleeve: 20 ga. (1mm) galvanized steel
- Blade: 20 ga. (1mm) galvanized steel
- Closure Device: 165°F (82°C) Fusible Link
- Axle: 1/2 in. (6mm) dia. plated steel.
- Bearing: Stainless Steel sleeve type

Size Limitations

- Minimum size: 4 in. (102mm) diameter
- Maximum size: 24 in. (610mm) diameter

Features:

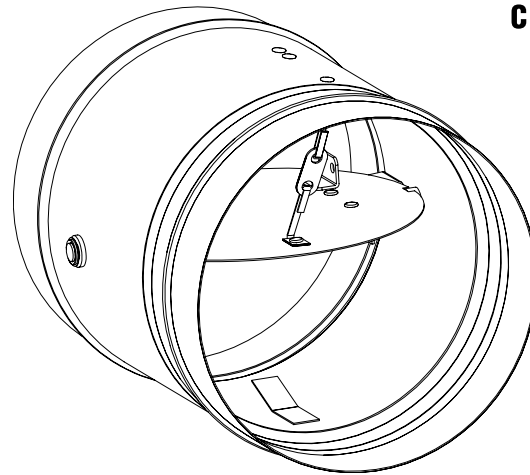
- Stainless steel closure springs
- Fusible links - 165°F (74°C) standard; 212°F (100°C) and 286°F (141°C) available
- Can be mounted horizontally or vertically
- Only one retainer plate required (one retainer plate supplied with damper)
- Additional retainer plate available
- 14 ga. (2mm) or 16 ga. (1.5mm) frame/sleeve

Model FDR-510 meets the requirements for fire dampers established by:

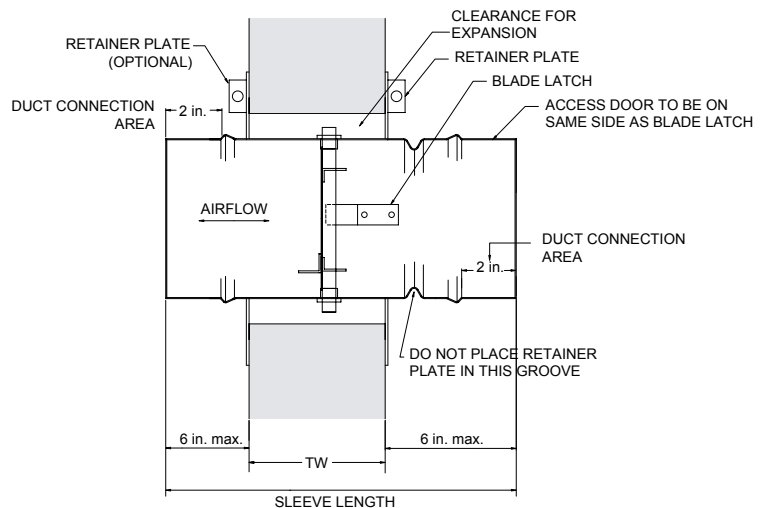
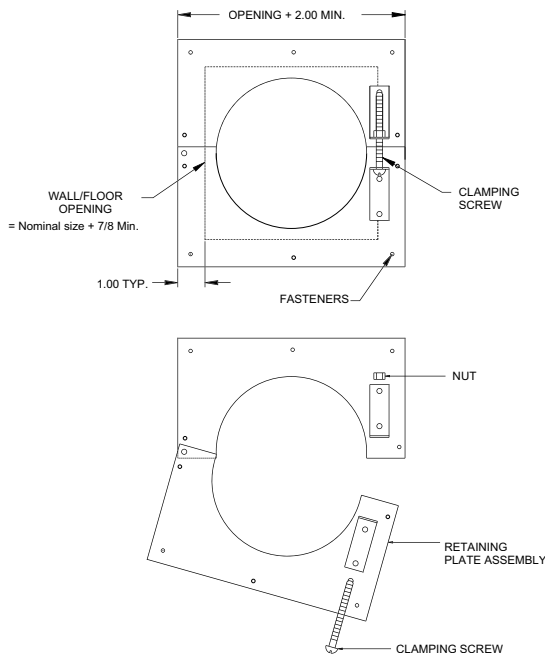
National Fire Protection Association
(NFPA Standards 80, 90A & 101)

Underwriters Laboratories Standard 555
(Listing #R-13317)

IBC International Building Codes



* These dimensions are furnished approximately 1/8 in. (3mm) smaller than nominal.



Installation instructions available at www.greenheck.com.

| WALL THICKNESS | SLEEVE LENGTH |
|----------------|-------------------|
| Up to 6.5 | 13.625 |
| Up to 8.5 | 15.625 |
| Up to 10.5 | 17.625 |
| Over 10.5 | Consult Greenheck |

Free Manuals Download Website

<http://myh66.com>

<http://usermanuals.us>

<http://www.somanuals.com>

<http://www.4manuals.cc>

<http://www.manual-lib.com>

<http://www.404manual.com>

<http://www.luxmanual.com>

<http://aubethermostatmanual.com>

Golf course search by state

<http://golfingnear.com>

Email search by domain

<http://emailbydomain.com>

Auto manuals search

<http://auto.somanuals.com>

TV manuals search

<http://tv.somanuals.com>