

## Special Purpose BACKDRAFT DAMPER

### Application and Design

The WD-323 series is a vertically mounted backdraft damper that is designed for use with Models CW & CWB centrifugal sidewall exhaust fans to allow horizontal airflow and prevent reverse airflow. The damper is opened by air pressure differential and gravity and closed by springs. Optional motor pack converts to motorized operation.

### Standard Construction

**Frame:** 0.063 in. (1.6mm) extruded aluminum.

**Blades:** 0.025 in. (.64mm) roll formed aluminum.

**Axles:**  $\frac{3}{16}$  in. (4.8mm) diameter plated steel, full length.

**Bearings:** Synthetic sleeve type.

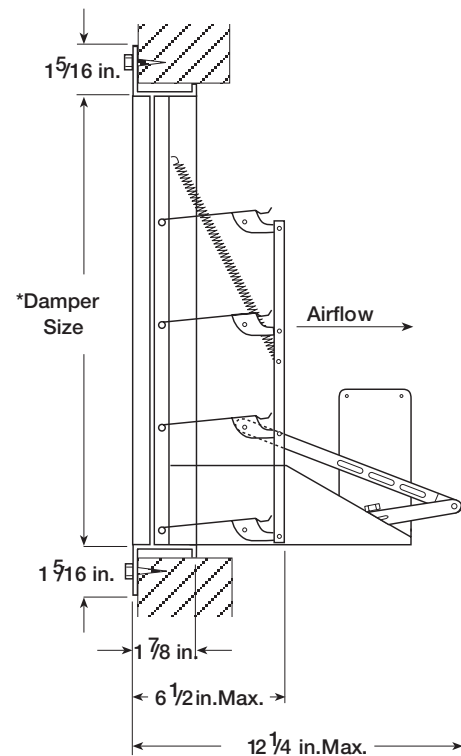
**Linkage:** 0.064 in. (1.6mm) aluminum tie bar.  
 Spring assisted to close blades.

**Blade Seals:** Vinyl .

**Sizes Available:** 8 in. x 8 in. (203mm x 203mm)  
 10 in. x 10 in. (254mm x 254mm)  
 12 in. x 12 in. (305mm x 305mm)  
 15 in. x 15 in. (381mm x 381mm)  
 17 in. x 17 in. (432mm x 432mm)  
 20 in. x 20 in. (508mm x 508mm)  
 25 in. x 25 in. (635mm x 635mm)

### Options (at additional cost)

- WD-323 Motor Packs (24v, 115v, 208/230v, or 440v)
- End Switch Kit: Model #851038



\* W & H dimensions furnished approximately  $\frac{1}{8}$  in. (3mm) under size.  
 W is always parallel to damper blades.

## Free Manuals Download Website

<http://myh66.com>

<http://usermanuals.us>

<http://www.somanuals.com>

<http://www.4manuals.cc>

<http://www.manual-lib.com>

<http://www.404manual.com>

<http://www.luxmanual.com>

<http://aubethermostatmanual.com>

Golf course search by state

<http://golfingnear.com>

Email search by domain

<http://emailbydomain.com>

Auto manuals search

<http://auto.somanuals.com>

TV manuals search

<http://tv.somanuals.com>