



Item # _____

Project _____

Date _____

Twin and Single Mid Line Fresh Water Urns Heat Exchange Brewing System

Twin Models 7443, 7446, 74410

Single Models: 7413, 7416, 74110

Electric



Features:

- **Fresh Water Brewing**
Water used for brewing is fresh water that is heated in a coiled, nickel-plated, copper heat exchange tube inside the urn. As water passes through the heat exchanger coil it is heated to optimum brew temperature.
- **Durable Construction**
All A.I.S.I. type 304, 18-8 stainless steel
- **Constant Brew Temperature**
Brew temperature varies less than 5°F (3°C) throughout spray over
- **Automatic Coffee Agitation**
Thoroughly mixes brewed coffee immediately after spray over is completed
- **Automatic refill of water compartment**
Water compartment automatically refills and reheats as needed.
- **Low water cutoff System**
Protects heating elements from burn out, at start-up or in operation.
- **Velvet Smooth Spray Arm**
Teflon® coating on spray arm piston prevents liming and insures smooth operation. Positive "stops" on spray arm for operator ease.

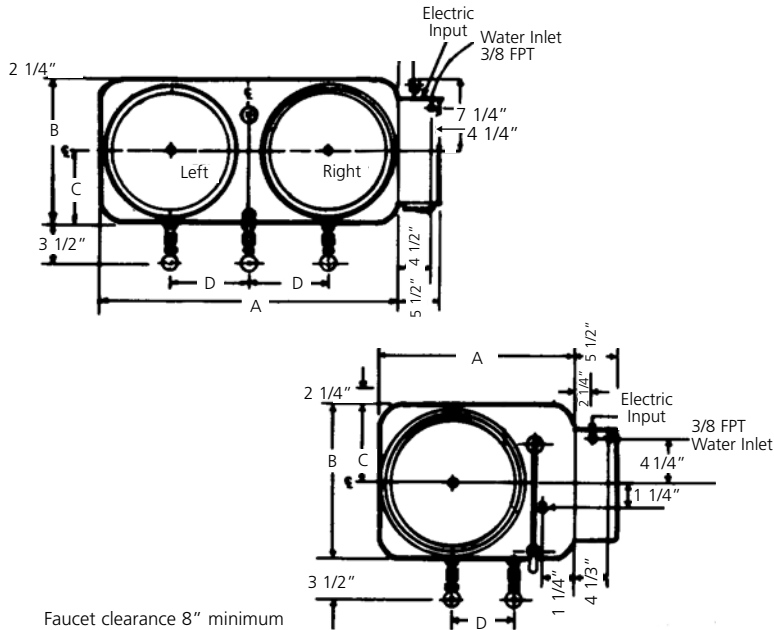
Easy to operate:

- **Fully Automatic – Push Button Operation**
Simply load brew basket with coffee, align spray arm over basket lid hole and press brew start button.
- **Adjustable Bypass valve on spray arm**
Enables proper coffee extraction even with variable water conditions
- **Dial Thermometer with color-marked brew zone.**
- **Thermostat adjustable from front**
Knob on thermostat has four marked positions: Brew, Hold, Night Standby and Off.

Serviceable

- **Drain valve in bottom**
- **Control drawer with all electronic components is accessible from side.**

Twin and Single Mid Line Fresh Water Urns Heat Exchange Brewing System



Model Number	A	B	C	D	Work Height	Overall Height
7443	30-1/2"	15-1/4"	7-5/8"	7-3/4"	21-5/8"	27-1/8"
7446	34"	16-3/4"	8-3/8"	8-5/8"	27-5/8"	33-1/8"
74410	34"	16-3/4"	8-3/8"	8-5/8"	27-5/8"	34-5/8"
7413	18"	15-1/4"	7-5/8"	5-1/2"	21-5/8"	27-1/8"
7416	21"	16-3/4"	8-3/8"	7-5/8"	27-5/8"	33-1/8"
74110	21"	16-3/4"	8-3/8"	7-5/8"	27-5/8"	34-5/8"

Brew Basket Selection Chart

Brews	3 Gal.	6 Gal.	10 Gal.	1/2 Batch on 3 Gal.	1/2 Batch on 6 Gal.	1/2 Batch on 10 Gal.
Part No.	BB3	BB6	BB810	BB3-1.5	BB6-3	BB810-6

NOTE: All SS Permanent Filter Brew Basket with SS woven wire cloth bottom is available. Filter paper is available from our stock. See price list.

Military Specifications - Marine Modifications

Twin and single automatic urns MIL-U-43263E or latest specification. Available modified for marine (shipboard) use; no spillage of liquid with 15° list in any plane, and other requirements. Contact factory for detailed quotation and data.

Multiple Faucet Options

- Opt. DS-1 2C, 1W Back/Rear, No Gauge
- Opt. DS-2 2C, 1W Back/Rear, with Gauges
- Opt. DS-3L 2C, 1W Back/Rear, No Gauges, w/ selecta-flow

Fast Fill Options

- Opt. 56 Jug Fill Funnel and Chain (18" long)
- Opt. 57 Gravity Jug Fill Hose Assembly (6' long)

Model No.	Twin			Single		
	7443	7446	74410	7413	7416	74110
Coffee Capacity (each liner)	3 gal.	6 gal.	10 gal.	3 gal.	6 gal.	10 gal.
Maximum Gallons/Hour*	25	32	42	14	32	42
Number of 5 oz. Cups/Hour	625	800	1050	450	800	1050

* Based on spraying over amount of water equal to capacity of liner.

Electric Heat

Specify electric service desired. Standard is dual voltage 120/240V or 120/208V single phase 3 wire (neutral wire required). Watts and amps as shown.

Note: A ground wire must be provided in addition to wire service shown. All service includes terminal block hook-up.

Model	120/240 Volt				120/208 Volt				240 Volt		120/208 Volt		480 Volt	
	1-Phase		3 Wire		1-Phase		3 Wire		3-Phase	3 Wire	3-Phase	4 Wire	3-Phase	3 Wire
	KW	Amps	KW	Amps	KW	Amps	KW	Amps	Specify Opt. 21B		Specify Opt. 21A		Specify Opt. 21C	
7443	7	29	5.5	25	7	29	5.5	25	10.5†	25	8	22	12	14
7446	11.5	48	8.5	41	11.5	48	8.5	41	10.5†	25	8	22	12	14
74410	15	63	11.5	54	15*	63	11.5*	54	15**	36	11.5*	31	12	14
7413	7	29	5.5	25	7	29	5.5	25	10.5†	25	8	22	12	14
7416	11.5	48	8.5	41	11.5	48	8.5	41	10.5†	25	8	22	12	14
74110	15	63	11.5	54	15**	63	11.5**	54	15**	36	11.5*	31	12	14

* No extra charge

Or Opt. 2200P step down transformer.

† Separate 3 wire 120V cord and plug for control circuit.



GRINDMASTER™
CORPORATION

Grindmaster® Coffee Grinders and Brewers • PrecisionBrew™ Brewing Systems • Espresso® Espresso Machines
Crathco® Hot Beverage Dispensers • Crathco® Cold and Frozen Beverage Dispensers • AMW Coffee and Tea Systems
Tel (502) 425-4776 • Fax (502) 425-4664 • 1-800-695-4500 (USA & Canada only)

© Grindmaster Corporation, 1995
PRINTED IN USA

P.O. Box 35020 • Louisville, KY 40232 • USA
www.grindmaster.com • email: info@grindmaster.com

0608 Form # AM-912-02

Free Manuals Download Website

<http://myh66.com>

<http://usermanuals.us>

<http://www.somanuals.com>

<http://www.4manuals.cc>

<http://www.manual-lib.com>

<http://www.404manual.com>

<http://www.luxmanual.com>

<http://aubethermostatmanual.com>

Golf course search by state

<http://golfingnear.com>

Email search by domain

<http://emailbydomain.com>

Auto manuals search

<http://auto.somanuals.com>

TV manuals search

<http://tv.somanuals.com>