

Auto Series Brewers

Automatic Airpot Brewers



Model AT-AP

(airpot sold separately)

(shown with optional Gourmet Brew Basket)



GRINDMASTER™
CORPORATION



GRINDMASTER™

CORPORATION

Model AT-AP/AT-APE

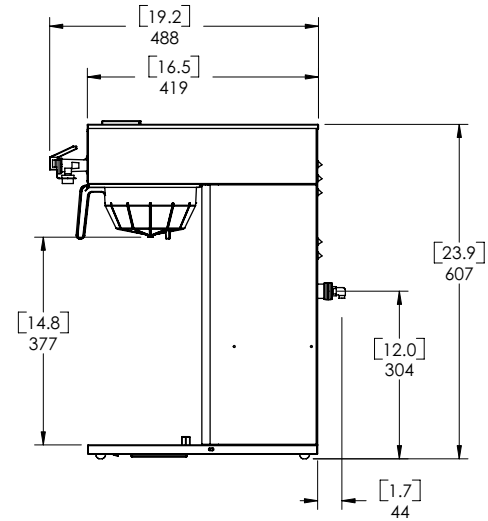
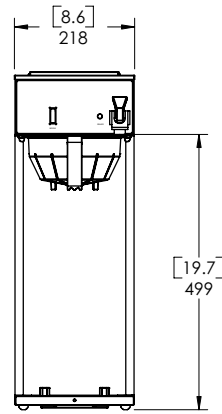
Auto Series Brewers

Features

- Water tank electrical quick disconnect
- Water tank drain
- Adjustable brew rails
- Durable stainless steel construction
- Pourover feature included
- Momentary contact brew start switch
- Plastic brew basket
- Hot water faucet
- One year parts and labor warranty

AT-AP Features

- Brews directly into airpot (airpot sold separately)
- Space-saving front to back design - 8-1/2" (22 cm) wide



[in]
mm

Specifications	Model AT-AP / AT-APE
Volts/Watts/Amps	AT-AP: 120V / 1780W / 14.8A AT-APE: 230V / 2300W / 10 A
Brew Capacity	75 oz. (2.2 L)
# Warmers	0
Dimensions (H x W x D)	24" x 8-1/2" x 16-1/2" (61 cm x 22 cm x 42 cm)
Machine Weight	24 lbs (10.9 kg)
Ship Dimensions (H x W x D)	28-3/4" x 12-1/2" x 22-1/2" (73 cm x 32 cm x 57 cm)
Ship Weight	31 lbs (14.1 kg)
Listings (pending)	UL, NSF, (CE for E models only)

All specifications are subject to improvement or change without notice.

Ask about Grindmaster Corporation's line of Coffee Grinders, Coffee Brewers, Coffee Urns, Coffee Shuttles, Coffee Grinderbrewers, Espresso Grinders, Espresso Brewers, Cold Beverage Dispensers, Granita Machines and Beverage Freezers.



pending



pending



GRINDMASTER™
CORPORATION



pending

Grindmaster® Coffee Grinders and Brewers • PrecisionBrew™ Brewing Systems • Espresso® Espresso Machines
Crathco® Hot Beverage Dispensers • Crathco® Cold and Frozen Beverage Dispensers • AMW Coffee and Tea Systems
Tel (502) 425-4776 • Fax (502) 425-4664 • 1-800-695-4500 (USA & Canada only)

P.O. Box 35020 • Louisville, KY 40232 • USA

© Grindmaster Corporation, 2007
PRINTED IN USA

www.grindmaster.com • email: info@grindmaster.com

0607 Form # BW-266-02

Download from Www.Somanuals.com. All Manuals Search And Download.

Free Manuals Download Website

<http://myh66.com>

<http://usermanuals.us>

<http://www.somanuals.com>

<http://www.4manuals.cc>

<http://www.manual-lib.com>

<http://www.404manual.com>

<http://www.luxmanual.com>

<http://aubethermostatmanual.com>

Golf course search by state

<http://golfingnear.com>

Email search by domain

<http://emailbydomain.com>

Auto manuals search

<http://auto.somanuals.com>

TV manuals search

<http://tv.somanuals.com>