

Crathco® G-Cool™ Mini-Quattro™

Innovative Cold Beverage Dispensers

Cleans
50%
Faster!



Model C-4D

Half the Work. Twice the Impact. Cleans 50% faster. Provides 360° merchandising.

Sell more cold beverages with the dynamic, user friendly, G-Cool™ line of dispensers. High impact merchandising helps you stand out from the competition and attract more customers. Breakthrough technology cleans faster than traditional dispensers and cools better, giving you the most hygienic, most advanced, cold premix dispenser available.



Crathco®
BY GRINDMASTER®

Download from www.5manuals.com. All Manuals Search And Download.

Crathco® G-Cool™ Mini-Quattro™

Innovative Cold Beverage Dispensers

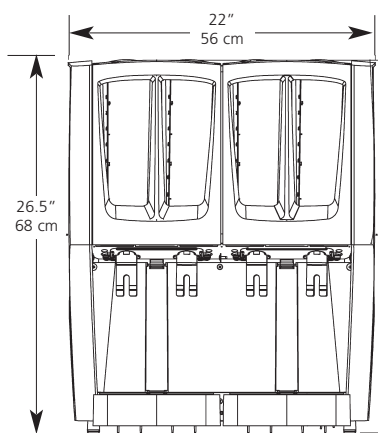
Featuring:

- Faster cleaning - cleans in half the time of a traditional dispenser, saving labor
- Simple machine care and easy operator interface promote better sanitation
- Breakthrough technology featuring patented Tri-Cool™ evaporator with a large 3-sided cooling surface that refrigerates through the bowl for mess-free operation
- Effective cooling uses less energy... saves money! Offering maximum refrigeration performance with energy efficient Tri-Cool™ insulated cooling surfaces.
- Sell more cold beverages with unique full coverage graphic panels enhanced by dynamic 360° merchandising
- Large, high impact graphics on sides of unit along with front and rear beverage windows offer branding opportunities
- Powerful visual appeal - attract more customers with a display of your beverage enhanced by thirst generating condensation.
- Low aeration magnetic mixing system keeps product mixed without creating unwanted foam in tea and cappuccino products. Also perfect for lemonade, horchata, fruit juices, and fruit drinks.
- Modular construction uses interchangeable components throughout the line. Promoting machine flexibility while keeping parts inventories low.

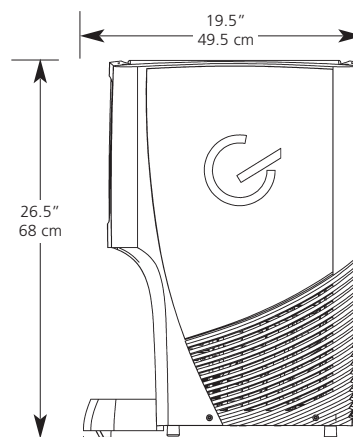
| Specifications | Mini-Quattro™ (C-4D) |
|--------------------------------|--|
| # Bowls / Capacity | (4) 2.4 gallon (9 liter) Bowls |
| Cup Height | 9-1/2" (24 cm) |
| Volts / Hz | C-4D-16: 115V / 60Hz C-4D-22: 230V / 50/60 Hz |
| Machine Dimensions (H x W x D) | 26-1/2" x 22" x 19-1/2" (including drip tray) 68 cm x 56 cm x 50 cm (including drip tray) |
| Machine Weight | 121 lbs. (55 kg) |
| Ship Dimensions (H x W x D) | 30" x 25-1/2" x 22" (76 cm x 65 cm x 56 cm) |
| Ship Weight | 133 lbs. (60 kg) |
| Packing Data | Pallet: 4 units; Container: 20 ft = 111 units, 40 ft = 222 units |
| Listings | UL, NSF, CUL, CE, RoHS* |

Specifications are subject to improvement or change without notice.

* Must specify RoHS model when required. Additional cost may apply.



Mini-Quattro™ - Front View



Mini-Quattro™ - Side View



GRINDMASTER™
CORPORATION



RoHS



Grindmaster® Coffee Grinders and Brewers • PrecisionBrew™ Brewing Systems • Espresso® Espresso Machines
Crathco® Hot Beverage Dispensers • Crathco® Cold and Frozen Beverage Dispensers • AMW Coffee and Tea Systems
Tel (502) 425-4776 • Fax (502) 425-4664 • 1-800-695-4500 (USA & Canada only)

P.O. Box 35020 • Louisville, KY 40232 • USA

Free Manuals Download Website

<http://myh66.com>

<http://usermanuals.us>

<http://www.somanuals.com>

<http://www.4manuals.cc>

<http://www.manual-lib.com>

<http://www.404manual.com>

<http://www.luxmanual.com>

<http://aubethermostatmanual.com>

Golf course search by state

<http://golfingnear.com>

Email search by domain

<http://emailbydomain.com>

Auto manuals search

<http://auto.somanuals.com>

TV manuals search

<http://tv.somanuals.com>