

Models VS-1.5, VS-1.5S & VS-S

1.5 Gallon Vacuum Insulated Shuttle® & Stand



Model VS-1.5S



GRINDMASTER™
CORPORATION

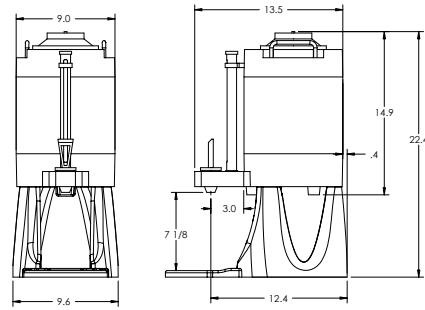


GRINDMASTER™
CORPORATION

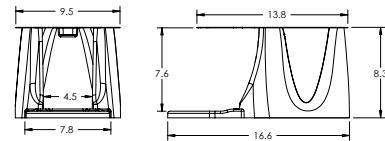
Models VS-1.5, VS-1.5S and VS-S

Features

- **Brew-Thru®** lid
- NSF approved
- Stainless steel exterior and interior
- Adaptable to most large volume commercial coffee makers
- Compact design for easier mobility
- Maintains perfect coffee holding temperature



Model VS-1.5S (with stand)



Model VS-S

Specifications	Model VS-1.5	Model VS-1.5S	Model VS-S
Description	Shuttle® only	Shuttle® with stand attached	Stand only
Capacity	1.5 gallons (5.7 liters)	1.5 gallons (5.7 liters)	N/A
Temperature Retention	4°F loss after 2 hours 8°F loss after 5 hours	4°F loss after 2 hours 8°F loss after 5 hours	N/A
Insulation	Vacuum	Vacuum	N/A
Outside Surface	Stainless steel and black glossy plastic	Stainless steel and black glossy plastic	Black glossy plastic
Inside Liner	Stainless steel	Stainless steel	N/A
Faucet Clearance	7.2" (18 cm) - when placed on stand	7.2" (18 cm)	N/A
Dimensions	14-7/8" (38 cm) H, 9" (23 cm) diameter	22-1/2" H x 9-1/2" W x 16-1/2" D (57 cm x 24 cm x 42 cm)	8-1/2" H x 9.5" W x 16-1/2" D (22 cm x 24 cm x 42 cm)
Shipping Dimensions (H x W x D)	17" H x 15-1/4" W x 11" D (43 cm x 39 cm x 28 cm)	25" H x 12-1/2" W x 17" D (64 cm x 32 cm x 43 cm)	12" H x 12-1/2" W x 16-1/2" D (31cm x 32 cm x 42 cm)
Weight	8 lbs. (3.6 kg)	10 lbs. (4.5 kg)	2-1/2 lbs. (1.1 kg)
Shipping Weight	10 lbs. (4.5 kg)	13 lbs. (5.9 kg)	3-1/2 lbs. (1.6 kg)
Listings	NSF	NSF	NSF

All specifications are subject to improvement or change without notice.



GRINDMASTER™
CORPORATION



Grindmaster® Coffee Grinders and Brewers • Espresso® Espresso Machines • Crathco® Hot Beverage Dispensers
Crathco® Cold and Frozen Beverage Dispensers • American Metal Ware® Coffee and Tea Systems
Tel (502) 425-4776 • Fax (502) 425-4664 • 1-800-695-4500 (USA & Canada only)

P.O. Box 35020 • Louisville, KY 40232 • USA

www.grindmaster.com • email: info@grindmaster.com

Free Manuals Download Website

<http://myh66.com>

<http://usermanuals.us>

<http://www.somanuals.com>

<http://www.4manuals.cc>

<http://www.manual-lib.com>

<http://www.404manual.com>

<http://www.luxmanual.com>

<http://aubethermostatmanual.com>

Golf course search by state

<http://golfingnear.com>

Email search by domain

<http://emailbydomain.com>

Auto manuals search

<http://auto.somanuals.com>

TV manuals search

<http://tv.somanuals.com>