



2400 Series

2400 Series Espresso Machines



MODEL 2450Q



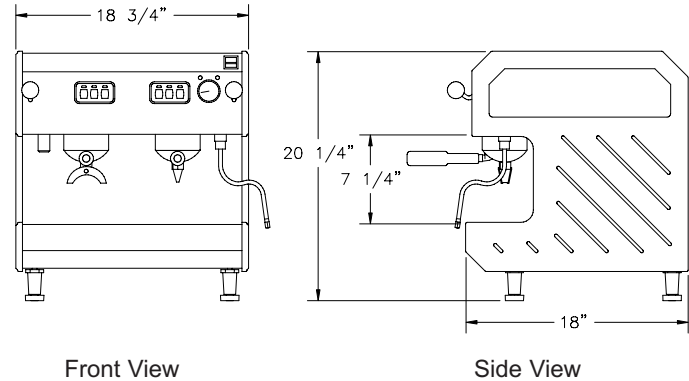
GRINDMASTER™
CORPORATION

2400 Series

Espresso Machines

Standard Features:

- Made in the USA with American parts
- High steam capacity for cappuccino
- Separate steam and water systems
- Black/Chrome finish
- Two-group, automatic Models 2450 & 2450Q feature touch-pads to dispense preset portions of espresso
- Q models have a quick recovery that allows maximum capacity use in high volume accounts
- Each espresso machine includes a water filter/softening system, dump box, steam pitcher, measuring spoon, tamper, and cleaner



Model 2450

Specifications	Model 2450	Model 2450Q
Voltage / Watts / Amps	115VAC/60Hz/20A plug/17A	115/230V single phase/15A
Water Line	1/4" (6.35mm)	1/4" (6.35mm)
Drain	3/4" ID (18.75mm) drain hose	3/4" ID (18.75mm) drain hose
Boiler Size	Approx. 2 gal. (7.6L)	Approx. 2 gal. (7.6L)
No. of Steam Wands	1	2
Dimensions (H x W x D)	20-1/4" x 18-3/4" x 17" (51 cm x 48 cm x 43 cm)	20-1/4" x 18-3/4" x 17" (51 cm x 48 cm x 43 cm)
Shipping Dimensions (H x W x D)	23" x 22" x 23" (58 cm x 56 cm x 58 cm)	23" x 22" x 23" (58 cm x 56 cm x 58 cm)
Shipping Weight	105 lbs. (47 kg)	105 lbs. (47 kg)
Listings	UL, CUL Elec., ETL Sanitation	UL, CUL Elec., ETL Sanitation

Specifications are subject to improvement or change without notice.



GRINDMASTER™
CORPORATION



Grindmaster® Coffee Grinders and Brewers • PrecisionBrew™ Brewing Systems • Espresso® Espresso Machines
Crathco® Hot Beverage Dispensers • Crathco® Cold and Frozen Beverage Dispensers • AMW Coffee and Tea Systems
Tel (502) 425-4776 • Fax (502) 425-4664 • 1-800-695-4500 (USA & Canada only)

P.O. Box 35020 • Louisville, KY 40232 • USA

Free Manuals Download Website

<http://myh66.com>

<http://usermanuals.us>

<http://www.somanuals.com>

<http://www.4manuals.cc>

<http://www.manual-lib.com>

<http://www.404manual.com>

<http://www.luxmanual.com>

<http://aubethermostatmanual.com>

Golf course search by state

<http://golfingnear.com>

Email search by domain

<http://emailbydomain.com>

Auto manuals search

<http://auto.somanuals.com>

TV manuals search

<http://tv.somanuals.com>