

# Crathco® G-Cool™ Single

## Innovative Cold Beverage Dispensers

Cleans  
50%  
Faster!



**Half the Work. Twice the Impact. Cleans 50% faster. Provides 360° merchandising.**

Sell more cold beverages with the dynamic, user friendly, G-Cool™ line of dispensers. High impact merchandising helps you stand out from the competition and attract more customers. Breakthrough technology cleans faster than traditional dispensers and cools better, giving you the most hygienic, most advanced, cold premix dispenser available.



  
**Crathco®**  
BY GRINDMASTER®

Download from [www.5manuals.com](http://www.5manuals.com). All Manuals Search And Download.

# Crathco® G-Cool™ Single

## Innovative Cold Beverage Dispensers

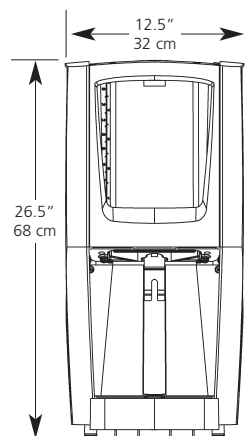
### Featuring:

- Faster cleaning - cleans in half the time of a traditional dispenser, saving labor
- Simple machine care and easy operator interface promote better sanitation
- Breakthrough technology featuring patented Tri-Cool™ evaporator with a large 3-sided cooling surface that refrigerates through the bowl for mess-free operation
- Effective cooling uses less energy... saves money! Offering maximum refrigeration performance with energy efficient Tri-Cool™ insulated cooling surfaces.
- Sell more cold beverages with unique full coverage graphic panels enhanced by dynamic 360° merchandising
- Large, high impact graphics on sides of unit along with front and rear beverage windows offer branding opportunities
- Powerful visual appeal - attract more customers with a display of your beverage enhanced by thirst generating condensation.
- Low aeration magnetic mixing system keeps product mixed without creating unwanted foam in tea and cappuccino products. Also perfect for lemonade, horchata, fruit juices, and fruit drinks.
- Modular construction uses interchangeable components throughout the line. Promoting machine flexibility while keeping parts inventories low.

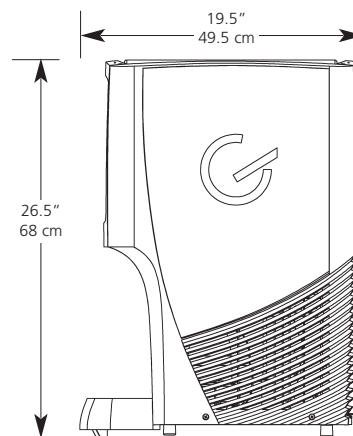
Specifications	Single Bowl (C-1S)
# Bowls / Capacity	(1) 5 gallon (18 liter) Bowl
Cup Height	9-1/2" (24 cm)
Volts / Hz / Amps	C-1S-16: 115V / 60Hz / 3.5Amps C-1S-22: 230V / 50/60 Hz / 3.2Amps
Machine Dimensions (H x W x D)	26-1/2" x 12-1/2" x 19-1/2" (including drip tray) 68 cm x 32 cm x 49.5 cm (including drip tray)
Machine Weight	66 lbs. (30 kg)
Ship Dimensions (H x W x D)	30" x 16" x 22" (76 cm x 41 cm x 56 cm)
Ship Weight	75 lbs. (34 kg)
Packing Data	Pallet: 5 units; Container: 20 ft = 174 units, 40 ft = 363 units
Listings	UL, NSF, CUL, CE, RoHS*

Specifications are subject to improvement or change without notice.

\* Must specify RoHS model when required. Additional cost may apply.



Single Bowl - Front View



Single Bowl - Side View



**GRINDMASTER™**  
CORPORATION



RoHS



Grindmaster® Coffee Grinders and Brewers • PrecisionBrew™ Brewing Systems • Espresso® Espresso Machines  
Crathco® Hot Beverage Dispensers • Crathco® Cold and Frozen Beverage Dispensers • AMW Coffee and Tea Systems  
Tel (502) 425-4776 • Fax (502) 425-4664 • 1-800-695-4500 (USA & Canada only)

P.O. Box 35020 • Louisville, KY 40232 • USA

## Free Manuals Download Website

<http://myh66.com>

<http://usermanuals.us>

<http://www.somanuals.com>

<http://www.4manuals.cc>

<http://www.manual-lib.com>

<http://www.404manual.com>

<http://www.luxmanual.com>

<http://aubethermostatmanual.com>

Golf course search by state

<http://golfingnear.com>

Email search by domain

<http://emailbydomain.com>

Auto manuals search

<http://auto.somanuals.com>

TV manuals search

<http://tv.somanuals.com>