



GRINDMASTER™
CORPORATION

Item # _____

Project _____

Date _____



Model PIC-2 Two Flavor Powdered Specialty Beverage Dispensers

- Large, Clear-View™ hoppers for fast product level visibility
- Large, bold, front-lit graphics draw more attention and sales
- Patented safety rib on dispense nozzle and generous cup clearance assures cups don't catch
- Direct Drive Hoppers - Self-aligning pin and link hopper drive for durability and easy install
- Visible dispense spout and cup guide on drip tray clearly indicate cup placement for ease of self-service
- Generous cup clearance accommodates most cup sizes
- Optional water pump allows unit to operate in remote location from bottled water (ideal for catering)
- Thermostat adjustable to dispense ambient temperature beverages

PIC-2

Ideal for dispensing a variety of products including cappuccino, hot chocolate, soup, chai tea, steamed milk, hot apple cider, flavored cappuccinos and gourmet cocoas.



GRINDMASTER™
CORPORATION

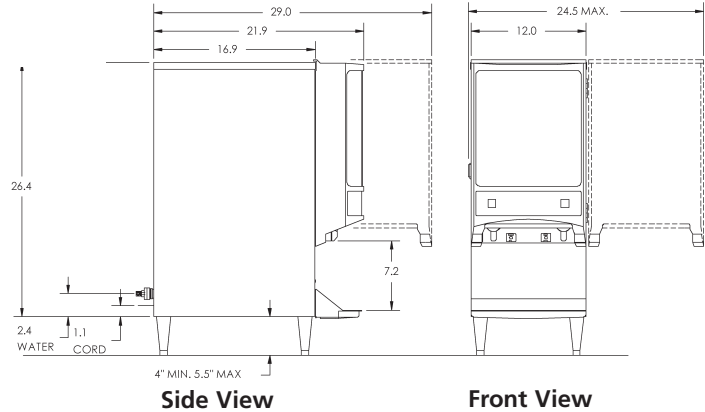
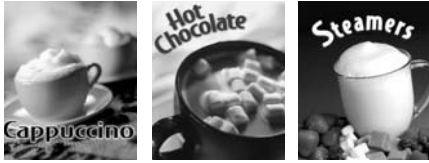


Grindmaster® Coffee Grinders and Brewers • PrecisionBrew™ Brewing Systems • Espresso® Espresso Machines
Crathco® Hot Beverage Dispensers • Crathco® Cold and Frozen Beverage Dispensers • AMW Coffee and Tea Systems
Tel (502) 425-4776 • Fax (502) 425-4664 • 1-800-695-4500 (USA & Canada only)
P.O. Box 35020 • Louisville, KY 40232 • USA
www.grindmaster.com • email: info@grindmaster.com

Model PIC-2 - Two Flavor

Powdered Specialty Beverage Dispensers

Choice of backlit signs:



Specifications	PIC-2, PIC-2A (120V/60Hz)	PIC-2E, PIC-2AE (230V, 50/60Hz)
Volts/Watts/Amps	120V-60Hz / 1650W / 14A	230V-50/60Hz / 2400W / 10.5A
Water Line	1/4" (6.35mm) flare	1/4" (6.35mm) flare
Tank Size	3.5 gallons (13.2L)	3.5 gallons (13.2L)
Cup Clearance	7" (18 cm)	4.4" (11.2 cm)
Dimensions (H x W x D)	26-1/2" * x 12" x 22" (67 cm x 30 cm x 56 cm)	26-1/2" * x 12" x 22" (67 cm x 30 cm x 56 cm)
Ship Dimensions (H x W x D)	32" x 16 1/2" x 26-3/4" (81 cm x 42 cm x 68 cm)	32" x 16 1/2" x 26-3/4" (81 cm x 42 cm x 68 cm)
Weight	71 lbs (32 kg)	71 lbs (32 kg)
Ship Weight	81 lbs (37 kg)	81 lbs (37 kg)
Listings	UL, NSF (15A cord & plug)	CE, NSF

Specifications are subject to improvement or change without notice.

* Does not include adjustable 4" (10 cm) legs

Standard Options*

Portion Control - 1 cup size (add "A" to model #)	Dispenses preset portion of product at the push of a button - one cup size per head
Dual Pinwheel in Hopper	Helps prevent dense products from "bridging" in hopper.
Water Pump (Part# 60568 - 115V / 60Hz) (Part# 62980 - 230V/50Hz)	External water pump allows standard machine to operate off of remote or bottled water supply.
4" Adjustable Legs (order accessory Part # 61188)	Raises units from counter to allow easy access under unit for cleaning, or allows clearance to connect 5/8" ID (15.8mm) silicone drain hose to drain trays on units with 6" cup clearance. Add 4-5" to unit height when legs are installed.

Custom Options* (available with minimum purchase quantity)

Portion Control - 3 cup sizes & top off (add "3A" to model #)	Dispenses preset portion of product at the push of a button - 3 cup sizes (small, medium, large) per head plus top off button are easily programmed
Soup Option (Model PSD-2)	Comes with soup graphics, soup flavor strips, soup dispenser nozzle, and larger drain tray (for 4.4" (11.2 cm) cup clearance)
High Capacity Output (add "Q" to model number)	2500W heater offers extra quick recovery for added capacity (120/240V / 2500W / 60Hz).
Key Lock	Lock on door offers added security
Cup Counter / External Drink Strength Adjustment <i>Standard units include drink strength adjustments on control board.</i>	Cup counters provide sales tracking and category management data. External drink strength adjustment (behind drip trays) offers easy access to drink settings for recipe changes.

* Additional cost applies



GRINDMASTER™
CORPORATION



Grindmaster® Coffee Grinders and Brewers • PrecisionBrew™ Brewing Systems • Espresso® Espresso Machines
Crathco® Hot Beverage Dispensers • Crathco® Cold and Frozen Beverage Dispensers • AMW Coffee and Tea Systems
Tel (502) 425-4776 • Fax (502) 425-4664 • 1-800-695-4500 (USA & Canada only)

P.O. Box 35020 • Louisville, KY 40232 • USA

Free Manuals Download Website

<http://myh66.com>

<http://usermanuals.us>

<http://www.somanuals.com>

<http://www.4manuals.cc>

<http://www.manual-lib.com>

<http://www.404manual.com>

<http://www.luxmanual.com>

<http://aubethermostatmanual.com>

Golf course search by state

<http://golfingnear.com>

Email search by domain

<http://emailbydomain.com>

Auto manuals search

<http://auto.somanuals.com>

TV manuals search

<http://tv.somanuals.com>