

Warmer Stations



BW-2



BW-2SU



BW-2T



BW-3T



GRINDMASTER™
CORPORATION



Warmer Stations

Features

- Space saving designs
- Attractive appearance styled to complement any decor
- Stainless with black warmer plates
- Expand your brewing center by combining multiple warmers with your brewers

BW-3T Features

- Three tier warmer
- Space-saving 7-1/2" (19 cm) wide design
- Perfect companion for your decanter brewer

BW-2T Features

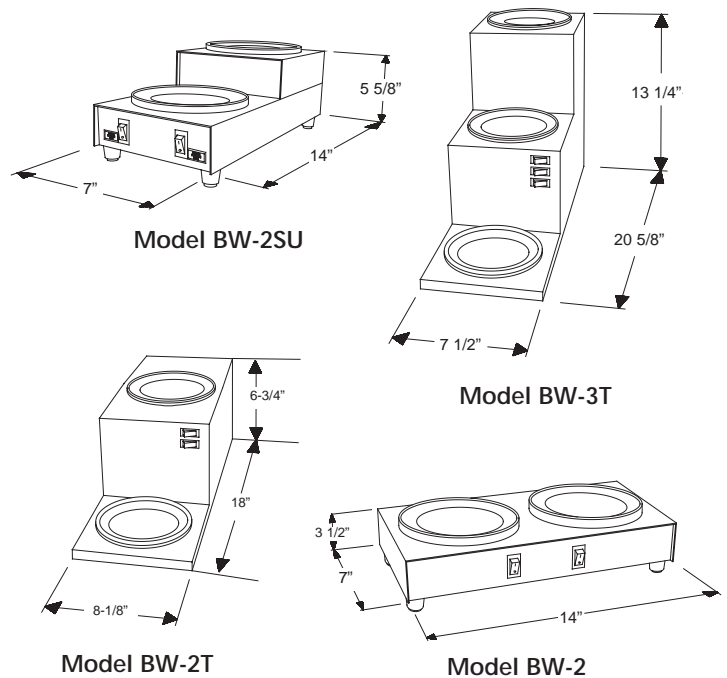
- Two tier warmer
- Space-saving 8-1/8" (21 cm) wide design

BW-2 Features

- Double warmer

BW-2SU Features

- Two tier warmer



Specifications	Model BW-3T	Model BW-2T	Model BW-2	Model BW-2SU
Volts/Watts/Amps	120V / 300W / 2.5A	120V / 200W / 1.7A	120V / 200W / 1.7A	120V / 200W / 1.7A
# Warmers	3	2	2	2
Dimensions (H x W x D)	13-1/4" x 7-1/2" x 20-5/8" (34 cm x 19 cm x 53 cm)	6-3/4" x 8-1/8" x 18" (17 cm x 21 cm x 46 cm)	3-1/2" x 14" x 7" (9 cm x 36 cm x 18 cm)	5-5/8" x 7" x 14" (14 cm x 18 cm x 36 cm)
Ship Dimensions (H x W x D)	18" x 10" x 25" (46 cm x 25 cm x 64 cm)	9" x 10" x 20" (23 cm x 25 cm x 51 cm)	4" x 16-1/4" x 10" (10 cm x 41 cm x 25 cm)	7" x 10" x 16" (18 cm x 25 cm x 41 cm)
Ship Weight	12 lbs (5 kg)	8-1/2 lbs (kg)	4 lbs (2 kg)	5-1/2 lbs (2.5 kg)
Listings	UL, CUL, NSF	UL, CUL, NSF	UL, CUL, NSF	UL, CUL, NSF

All specifications are subject to improvement or change without notice.

Ask about Grindmaster Corporation's line of Coffee Grinders, Coffee Brewers, Coffee Urns, Coffee Shuttles, Coffee Grindbrewers, Espresso Grinders, Espresso Brewers, Beverage Dispensers Granita Machines and Beverage Freezers.



GRINDMASTER™
CORPORATION

Grindmaster® Coffee Grinders and Brewers • Espresso® Espresso Machines • Crathco® Hot Beverage Dispensers
Crathco® Cold and Frozen Beverage Dispensers • American Metal Ware® Coffee and Tea Systems

Tel (502) 425-4776 • Fax (502) 425-4664 • 1-800-695-4500

P.O. Box 35020 • Louisville, KY 40232 • USA

© Grindmaster Corporation, 2003
PRINTED IN USA

www.grindmaster.com • email: info@grindmaster.com

0704 Form # BW-216-02

Free Manuals Download Website

<http://myh66.com>

<http://usermanuals.us>

<http://www.somanuals.com>

<http://www.4manuals.cc>

<http://www.manual-lib.com>

<http://www.404manual.com>

<http://www.luxmanual.com>

<http://aubethermostatmanual.com>

Golf course search by state

<http://golfingnear.com>

Email search by domain

<http://emailbydomain.com>

Auto manuals search

<http://auto.somanuals.com>

TV manuals search

<http://tv.somanuals.com>