

Tea Systems

Iced Tea Brewers & Dispensers



Model TEA - 300S



GRINDMASTER™
CORPORATION



Brewer Features

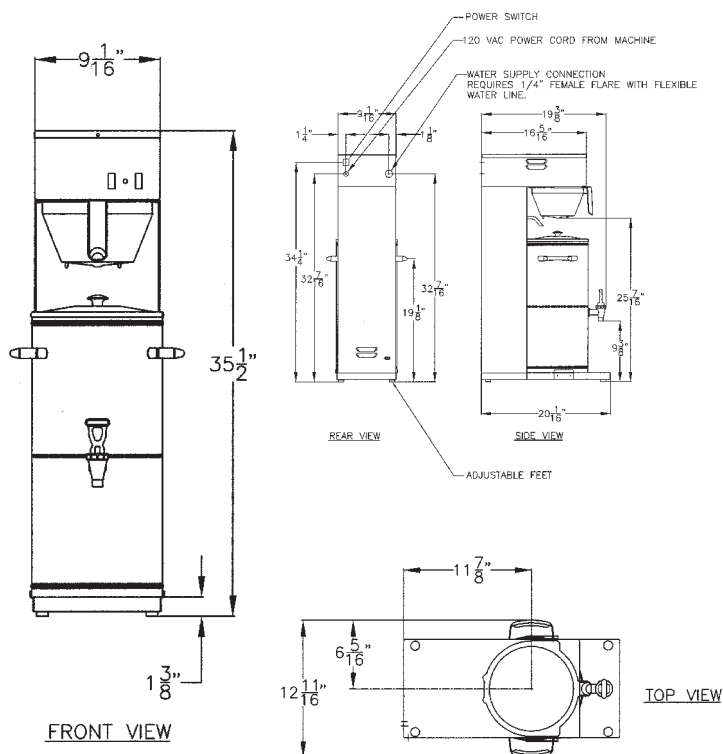
Standard Features:

- 1-1/2 gallon (5.7L) water tank
- Clear brew basket to view tea
- 1650W heating element
- Ready to Brew light
- Emergency Stop button to interrupt brewing process
- Service friendly design front and top access
- 6 hole spray head
- Two dispenser sizes to meet your needs: 3 or 6 gal. (11.4L or 22.8L)
- Accommodates most other tea dispensers
- Stainless steel dispenser with sloping bottom drain
- Easy grip, two handle dispenser
- Dispenser accommodates cups up to 8" (20cm).
- TEA-300S includes brewer and one 3 gal. dispenser
- TEA-300B is brewer only
- When purchasing 6 gal. dispenser, 6 Gallon Rails Kit (#A725-073) must be specified to be used with the TEA-300B

Dispenser Features

Standard Features:

- 3 or 6 gal. (11.4L or 22.8L) dispensers available
- 8" (20cm) cup clearance
- Easy grip handles
- Optional sight gauge
- Both size dispensers fit one brewer



Specifications	Model TEA-300B Brewer	Model TEA-3D 3 Gal. Container	Model TEA-6D 6 Gal. Container
Volts / Watts / Amps	120V / 1700W / 15A	-----	-----
Capacity	-----	3-1/2 gal. (13.3 L)	6-1/2 gal. (24.7 L)
Portion Range	3 to 6 gal. (11.4L to 22.8L)	-----	-----
Cup Clearance	-----	8" (20 cm)	8" (20 cm)
Gallons per Hour	16 to 26 gal.	-----	-----
Tank Size	1-1/2 gal. (5.7 L)	-----	-----
Water Line	1/4" flare (6.35mm)	-----	-----
Drain	-----	1/2" ID (12.5mm)	1/2" ID (12.5mm)
Dimensions (H x W x D)	33-1/2" x 9-3/4" x 20" (84 cm x 24 cm x 50 cm)	22-1/2" x 12-1/2" x 9-1/2" (56 cm x 32 cm x 24 cm)	22-1/2" x 16-1/2" x 13-1/2" (56 cm x 42 cm x 34 cm)
Ship Dimensions (H x W x D)	35" x 11" x 22" (88 cm x 28 cm x 55 cm)	23" x 10-3/4" x 10-3/4" (58 cm x 27 cm x 27 cm)	23" x 15" x 15" (58 cm x 38 cm x 38 cm)
Weight	30 lbs. (13.5 kg)	7 lbs. (3.15 kg)	14 lbs. (6.3 kg)
Ship Weight	35 lbs. (15.75 kg)	8 lbs. (3.6 kg)	15 lbs. (6.75 kg)
Listings	UL, NSF	NSF	NSF
Options	-----	Sight Glass	Sight Glass

All specifications are subject to improvement or change without notice.



GRINDMASTER™
CORPORATION



Grindmaster® Coffee Grinders and Brewers • Espresso® Espresso Machines • Crathco® Hot Beverage Dispensers
Crathco® Cold and Frozen Beverage Dispensers • American Metal Ware® Coffee and Tea Systems

Tel (502) 425-4776 • Fax (502) 425-4664 • 1-800-695-4500

© Grindmaster Corporation, 1999
PRINTED IN USA

P.O. Box 35020 • Louisville, KY 40232 • USA

www.grindmaster.com • email: info@grindmaster.com

Download from Wwww.Somanuals.com. All Manuals Search And Download.

1204 Form# AM-253-03

Free Manuals Download Website

<http://myh66.com>

<http://usermanuals.us>

<http://www.somanuals.com>

<http://www.4manuals.cc>

<http://www.manual-lib.com>

<http://www.404manual.com>

<http://www.luxmanual.com>

<http://aubethermostatmanual.com>

Golf course search by state

<http://golfingnear.com>

Email search by domain

<http://emailbydomain.com>

Auto manuals search

<http://auto.somanuals.com>

TV manuals search

<http://tv.somanuals.com>