

WARRANTY AND RETURNS

Grizzly Industrial, Inc. warrants every product it sells for a period of **1 year** to the original purchaser from the date of purchase. This warranty does not apply to defects due directly or indirectly to misuse, abuse, negligence, accidents, repairs or alterations or lack of maintenance. This is Grizzly's sole written warranty and any and all warranties that may be implied by law, including any merchantability or fitness, for any particular purpose, are hereby limited to the duration of this written warranty. We do not warrant or represent that the merchandise complies with the provisions of any law or acts unless the manufacturer so warrants. In no event shall Grizzly's liability under this warranty exceed the purchase price paid for the product and any legal actions brought against Grizzly shall be tried in the State of Washington, County of Whatcom.

We shall in no event be liable for death, injuries to persons or property or for incidental, contingent, special, or consequential damages arising from the use of our products.

To take advantage of this warranty, contact us by mail or phone and give us all the details. We will then issue you a "Return Authorization Number," which must be clearly posted on the outside as well as the inside of the carton. We will not accept any item back without this number. Proof of purchase must accompany the merchandise.

The manufacturers reserve the right to change specifications at any time because they constantly strive to achieve better quality equipment. We make every effort to ensure that our products meet high quality and durability standards and we hope you never need to use this warranty.

Please feel free to write or call us if you have any questions about the machine or the manual.

Grizzly Industrial, Inc.
1203 Lycoming Mall Circle
Muncy, PA 17756
Phone: (570) 546-9663
Fax: (800) 438-5901

E-Mail:
techsupport@grizzly.com

Web Site: <http://www.grizzly.com>

Thank you again for your business and continued support. We hope to serve you again soon!

Grizzly[®]

Industrial, Inc.

MINI AIR COMPRESSOR

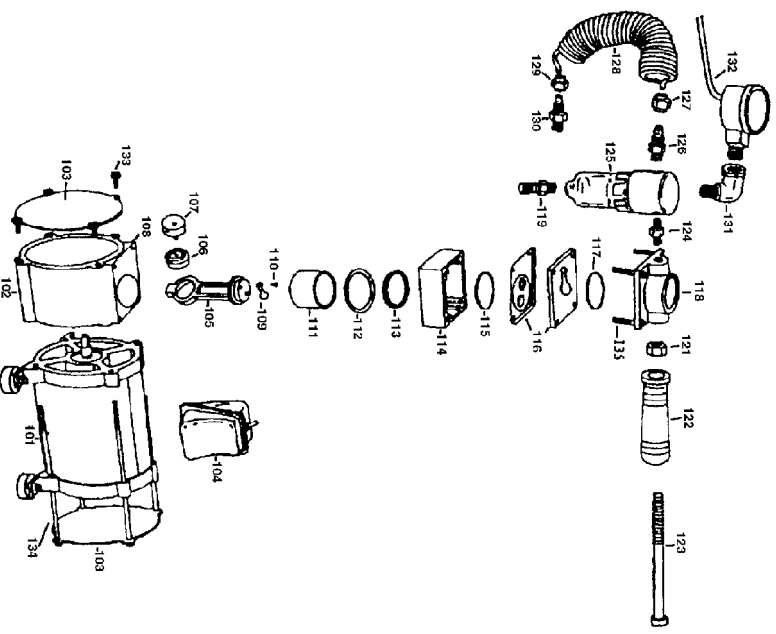
MODEL H3272

INSTRUCTION MANUAL



COPYRIGHT © AUGUST, 2003 BY GRIZZLY INDUSTRIAL, INC.
WARNING: NO PORTION OF THIS MANUAL MAY BE REPRODUCED IN ANY SHAPE
OR FORM WITHOUT THE WRITTEN APPROVAL OF GRIZZLY INDUSTRIAL, INC.
PRINTED IN USA

Model H3272 Mini Air Compressor



Ref#	Part#	Description	Ref#	Part #	Description
101	PH3272101	Motor	118	PH3272118	Cylinder Head
102	PH3272102	Front Case	119	PH3272119	Release Valve
103	PH3272103	Front Cover	121	PN02M	Hex Nut M10-1.5.
104	PH3272104	Capacitor/On/Off Switch	122	PH3272122	Handle
105	PH3272105	Piston Rod	123	PH3272123	Handle Screw
106	PH3272106	Ball Bearing	124	PH3272124	Connector
107	PH3272107	Crankshaft	125	PH3272125	Water Filler
108	PSB10M	Cap Screw M5-.8 x 15	126	PH3272126	Connector
109	PH3272109	Inlet & Exhaust Plate	127	PH3272127	Air Hose Nut
110	PSB57M	Cap Screw M3-.5 X 6	128	PH3272128	Air Hose
111	PH3272111	Cylinder	129	PH3272129	Air Hose Nut
112	PH3272112	Compression Ring	130	PH3272130	Connector 1/4 NPT
113	PH3272113	Collar	131	PH3272131	Elbow
114	PH3272114	Cylinder Base	132	PH3272132	Pressure Switch
115	PH3272115	O-Ring	133	PS09M	Phi Hd Scr M5-.8 X 10
116	PH3272116	Valve Plate Set	134	PS77M	Pnp Hd Scr M5-.8 x 140
117	PH3272117	O-Ring	135	PS78M	Phi Hd Scr M4-.7 x 45

Introduction

This 1/8 HP Mini Air Compressor is ideal for most air brush sets. Portable design features automatic shut-off at 38 PSI, a moisture trap, an air brush holder and a coiled air hose. CFM at maximum PSI is 0.48 and the total weight is 7 lbs.

Safety

1. READ THIS ENTIRE MANUAL BEFORE OPERATING THE COMPRESSOR.
2. OPERATE THE COMPRESSOR IN A WELL VENTILATED AREA.
3. NEVER AIM THE AIR NOZZLE DIRECTLY AT YOURSELF OR OTHERS.
4. DO NOT USE THE COMPRESSOR FOR FILLING BREATHING OR DIVING APPARATUS.
5. ALWAYS WEAR SAFETY GLASSES WHEN OPERATING THIS MACHINE.
6. DO NOT USE A TOOL THAT REQUIRES MORE THAN THE COMPRESSIONS CFM AND PSI RATING.

WARNING

Always wear safety glasses and use extreme caution when working around compressed air.

Set Up

The Model H3272 was shipped in a carefully packed box. Inspect the machine for damages due to shipping. If you have concerns please contact us. Contact information is on the back page.

Place the Model H3272 on a flat surface in a well ventilated, dry area where temperatures will not exceed 90°F.

The Model H3272 is an oilless compressor. **DO NOT ADD OIL.**

Operations

The Model H3272 Mini Air Compressor is wired for 110V, single-phase operation only.

To operate the mini air compressor:

1. Make sure the compressor is disconnected from the power source.
2. Connect your coiled air hose to the 1/4" NPT connector on the air filter. Note—Use teflon tape on the treads of the fittings.
3. Connect the air brush or other air tools to the compressor.
4. Plug the compressor in and press the switch to start it.
5. Disconnect the air tool and unplug the compressor when not in use.

Maintenance

Regular periodic maintenance on your air compressor will ensure its optimum performance. Make a habit of inspecting your compressor each time you use it. Check the following items:

- Clean off the cylinder head.
- Check for worn or damaged cords and plugs.
- Check for any other condition that could hamper the safe operation of this machine.
- Check for loose bolts or fittings.
- Check air lines and connectors to make sure they are in good condition.
- Drain the moisture trap periodically.

WARNING

Always unplug compressor when performing maintenance or changing air tools.

Free Manuals Download Website

<http://myh66.com>

<http://usermanuals.us>

<http://www.somanuals.com>

<http://www.4manuals.cc>

<http://www.manual-lib.com>

<http://www.404manual.com>

<http://www.luxmanual.com>

<http://aubethermostatmanual.com>

Golf course search by state

<http://golfingnear.com>

Email search by domain

<http://emailbydomain.com>

Auto manuals search

<http://auto.somanuals.com>

TV manuals search

<http://tv.somanuals.com>