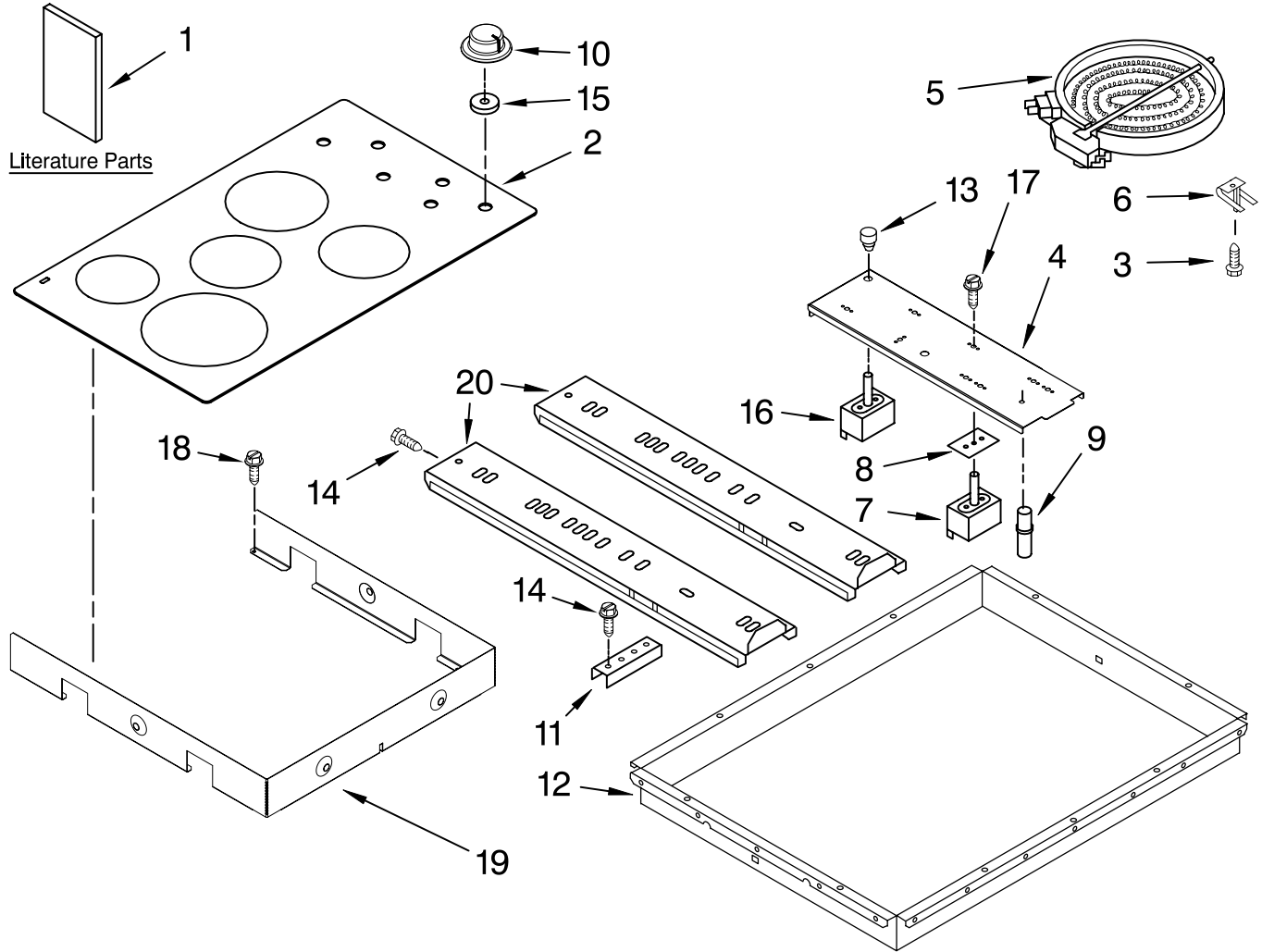


# COOKTOP PARTS

For Models: ICR416RB01, ICR416RP01  
(Black) (Pure White)

36" ELECTRIC CERAN  
BUILT-IN COOKTOP



Illus. No.	Part No.	DESCRIPTION
1	9759087	Literature Parts Installation Instructions
	8286619	Owners Manual
	9759861	Wiring Diagram
		Safer Cooking Tips
	3191638	English
	9759133	French
2		Cooktop & Bracket Assembly
	9760281	Black
	9760280	Pure White
3	246119	Screw (8)
4	9760682	Bracket, Switch Mounting
	9760290	Insulation, Bracket

Illus. No.	Part No.	DESCRIPTION
5		Element, Surface
	8523698	1200W – LR
	8523697	1500W – RF
	8523696	1800W – RR
	8523692	1000/2400W – LF
	8523700	100W (Warm Elem)
6	9759094	Spring, Locator (8)
7		Switch, Infinite
	3191050	Use W/RR Burner
	4454541	Use W/LF Burner
	3191049	Use W/RF & LR Burners
	8285451	Warm Zone
8	3192439	Seal, Switch Cover
9	3191945	Light, Indicator
10		Knob, Control (4)
	9758786	Black
	9758785	White
11	4455917	Bracket, Mounting
12	9760684	Box, Burner

Illus. No.	Part No.	DESCRIPTION
13	3191953	Bumper, Silicone
14	3196537	Screw
15	8285469	Seal, Switch Shaft (4)
16	9762441	Switch, Rotary (Accusimer)
17	311865	Screw
18	3196160	Screw
19	9761993	Shield, Heat
20	8285962	Rail, Element
	3192737	Seal, Heat

**Following Parts Not Illustrated**

3172515 Mtg. Hardware Kit  
4455364 Bracket, Support (6)

FOR ORDERING INFORMATION REFER TO PARTS PRICE LIST

# OPTIONAL PARTS (NOT INCLUDED)

For Models: ICR416RB01, ICR416RP01  
(Black) (Pure White)

<u>Illus. No.</u>	<u>Part No.</u>	<u>DESCRIPTION</u>
-------------------	-----------------	--------------------

## SPLICING WIRES--25FT.

### LENGTH

242828	Wire, Black	12 Ga. 150° C
242820	Wire, Black	14 Ga. 150° C
242822	Wire, Blue	14 Ga. 150° C
242830	Wire, Brown	14 Ga. 200° C
242823	Wire, Green	14 Ga. 150° C
242824	Wire, Orange	14 Ga. 150° C
242825	Wire, Red	14 Ga. 150° C
242831	Wire, Red	14 Ga. 200° C
242827	Wire, Yellow	14 Ga. 150° C

## ACCESSORY PARTS

3191048 Cleaner

## WIRING HARNESS PARTS

9762055	Wiring Harness	Surface Unit
9762223	Harness, Conduit	
3400015	Screw, 10-32 x 3/8	
308605	Strain Relief	
3183956	Seal, Swtch Cvr	

FOR ORDERING INFORMATION REFER TO PARTS PRICE LIST

## Free Manuals Download Website

<http://myh66.com>

<http://usermanuals.us>

<http://www.somanuals.com>

<http://www.4manuals.cc>

<http://www.manual-lib.com>

<http://www.404manual.com>

<http://www.luxmanual.com>

<http://aubethermostatmanual.com>

Golf course search by state

<http://golfingnear.com>

Email search by domain

<http://emailbydomain.com>

Auto manuals search

<http://auto.somanuals.com>

TV manuals search

<http://tv.somanuals.com>