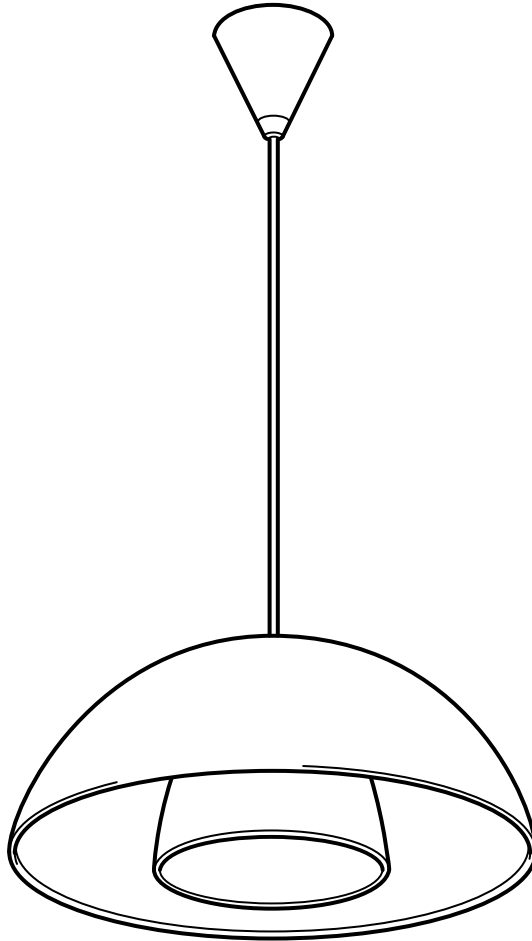


# IKEA 365+ BRASA

GB

FR

ES



Design and Quality  
IKEA of Sweden



**ENGLISH**  
INSTALLATION INSTRUCTIONS

## CAUTION:

Before starting, turn off power at main circuit panel.

**FRANÇAIS**  
INSTRUCTIONS D'INSTALLATION

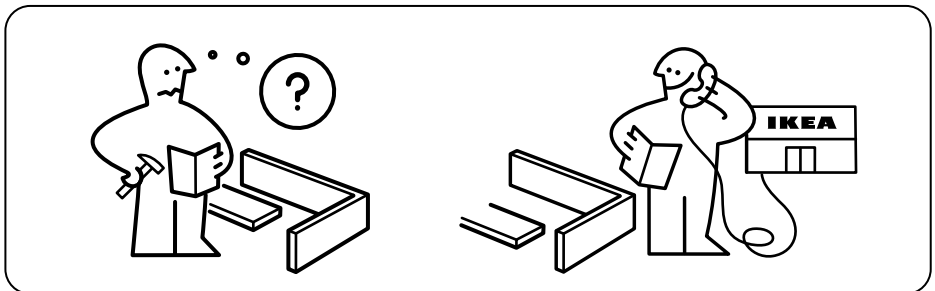
## ATTENTION :

coupez l'alimentation avant de procéder à l'installation.

**ESPAÑOL**  
INSTRUCCIONES DE MONTAJE

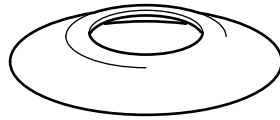
## ADVERTENCIA:

Antes de comenzar el montaje, cortar la luz en el cuadro general.





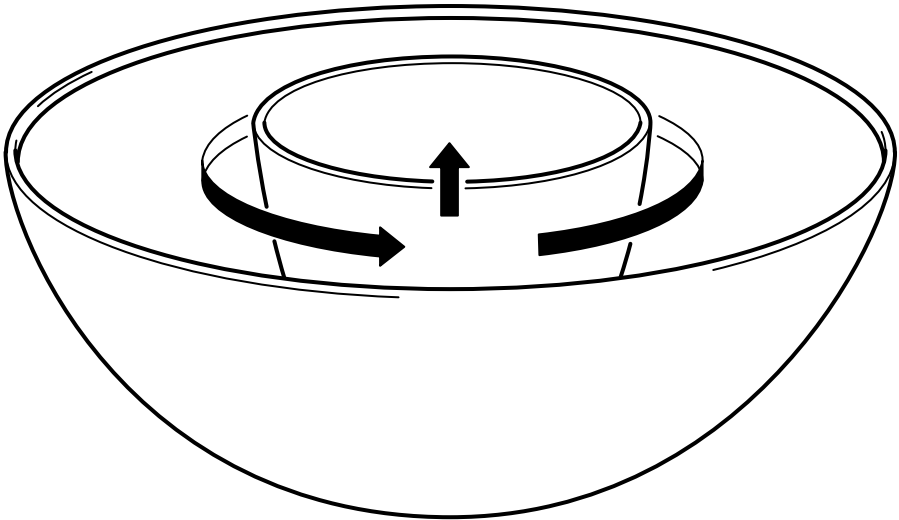
1x



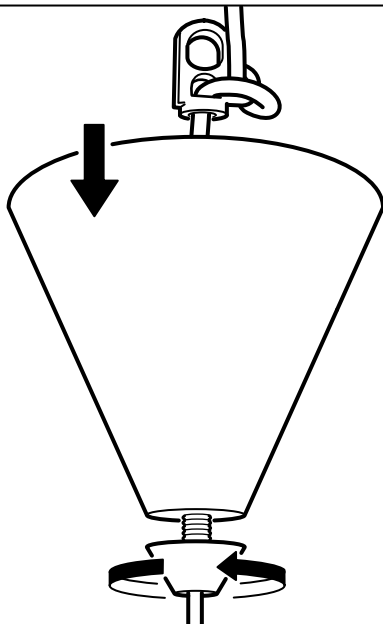
1x

---

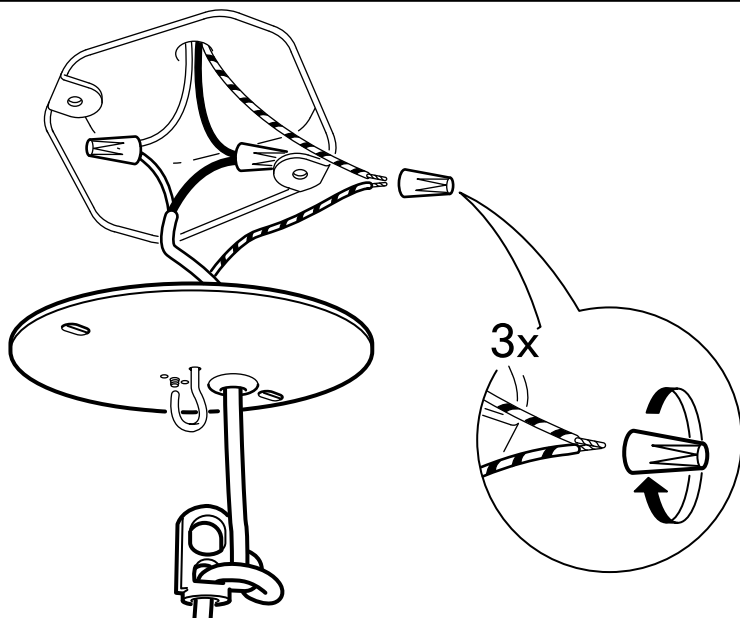
**1**



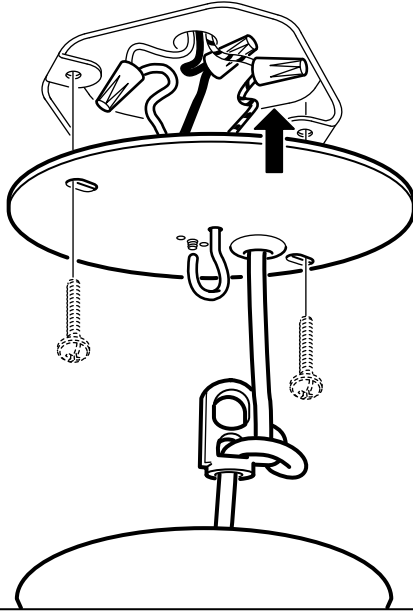
**2**



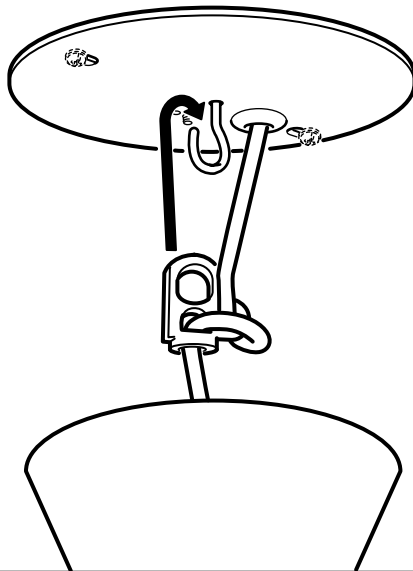
**3**



**4**

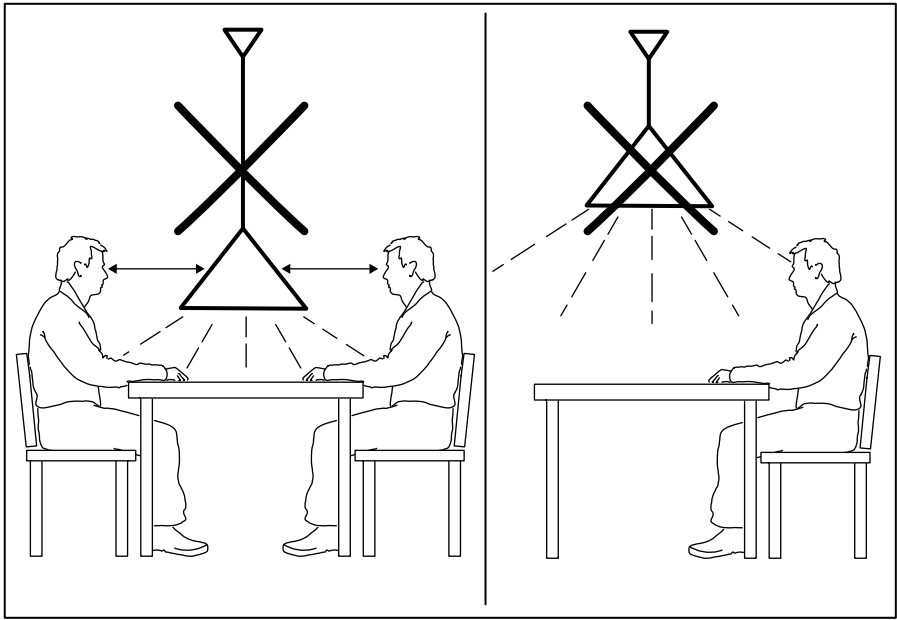
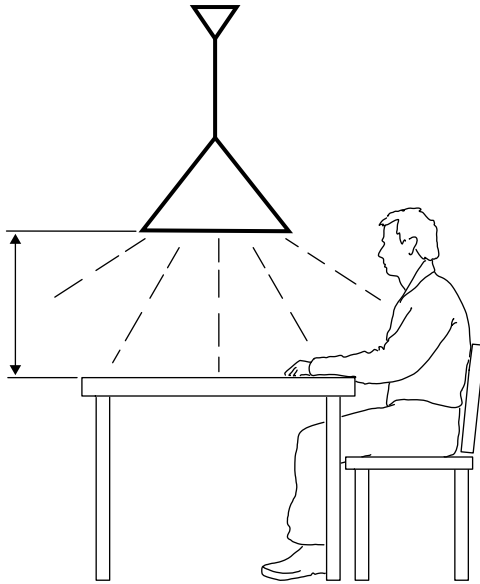


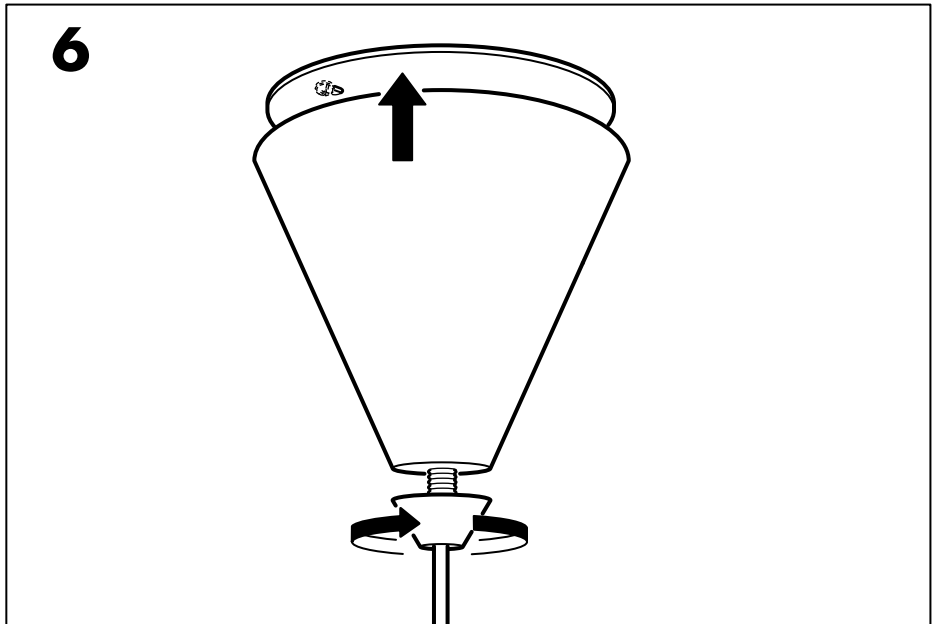
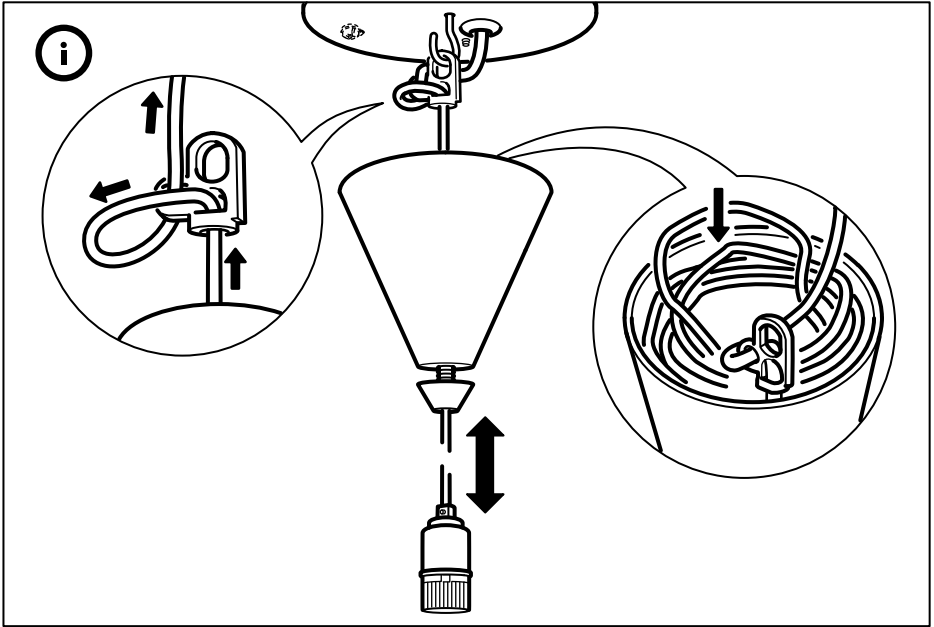
**5**



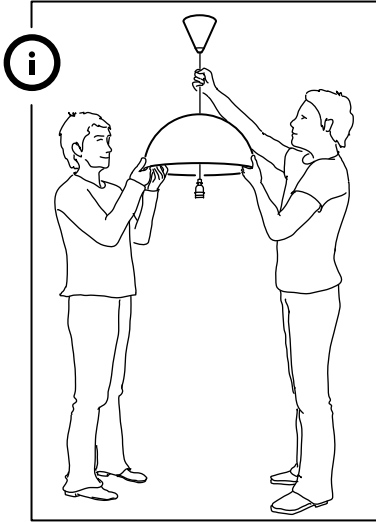


50-60cm  
(20-24")



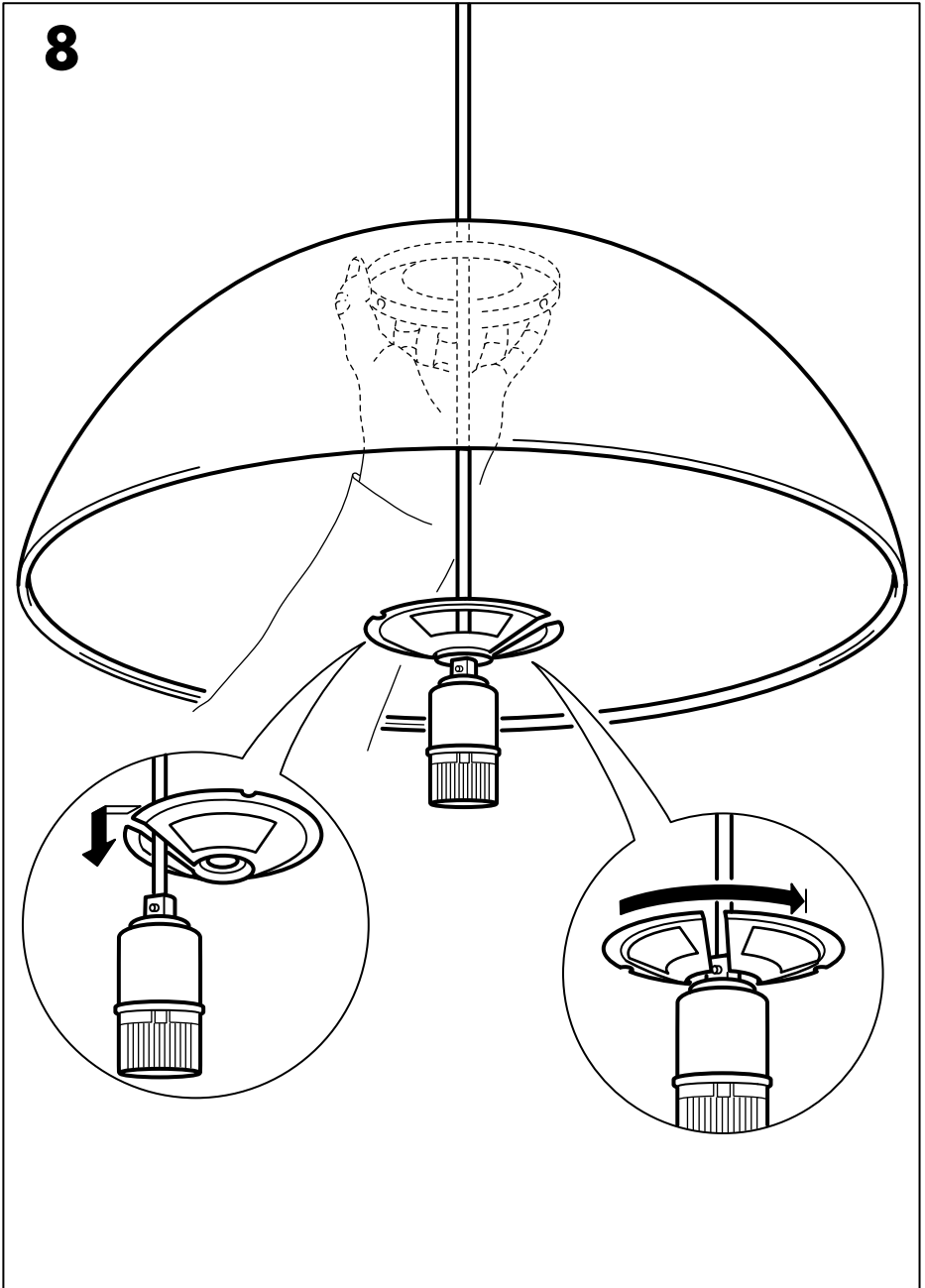


7

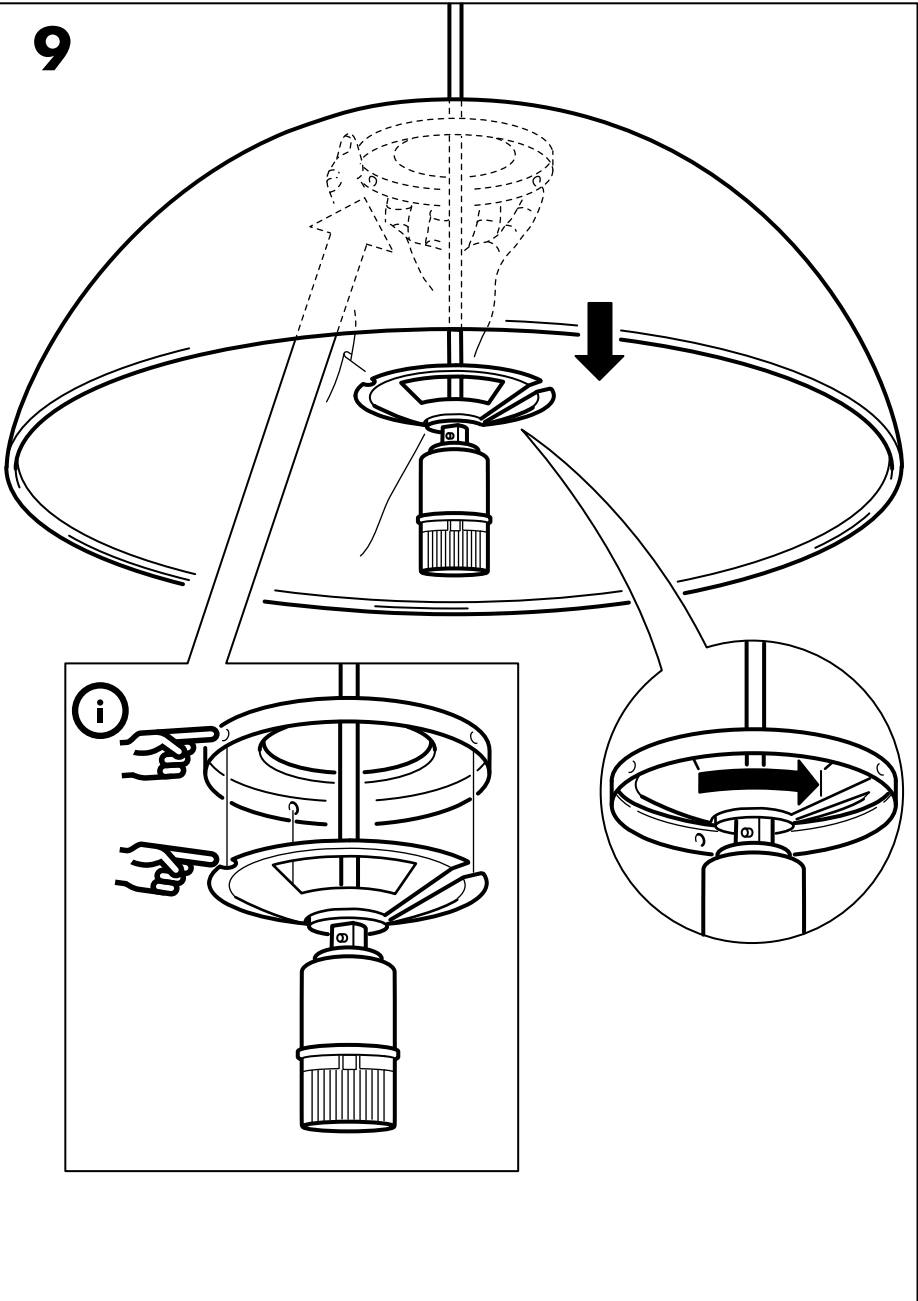




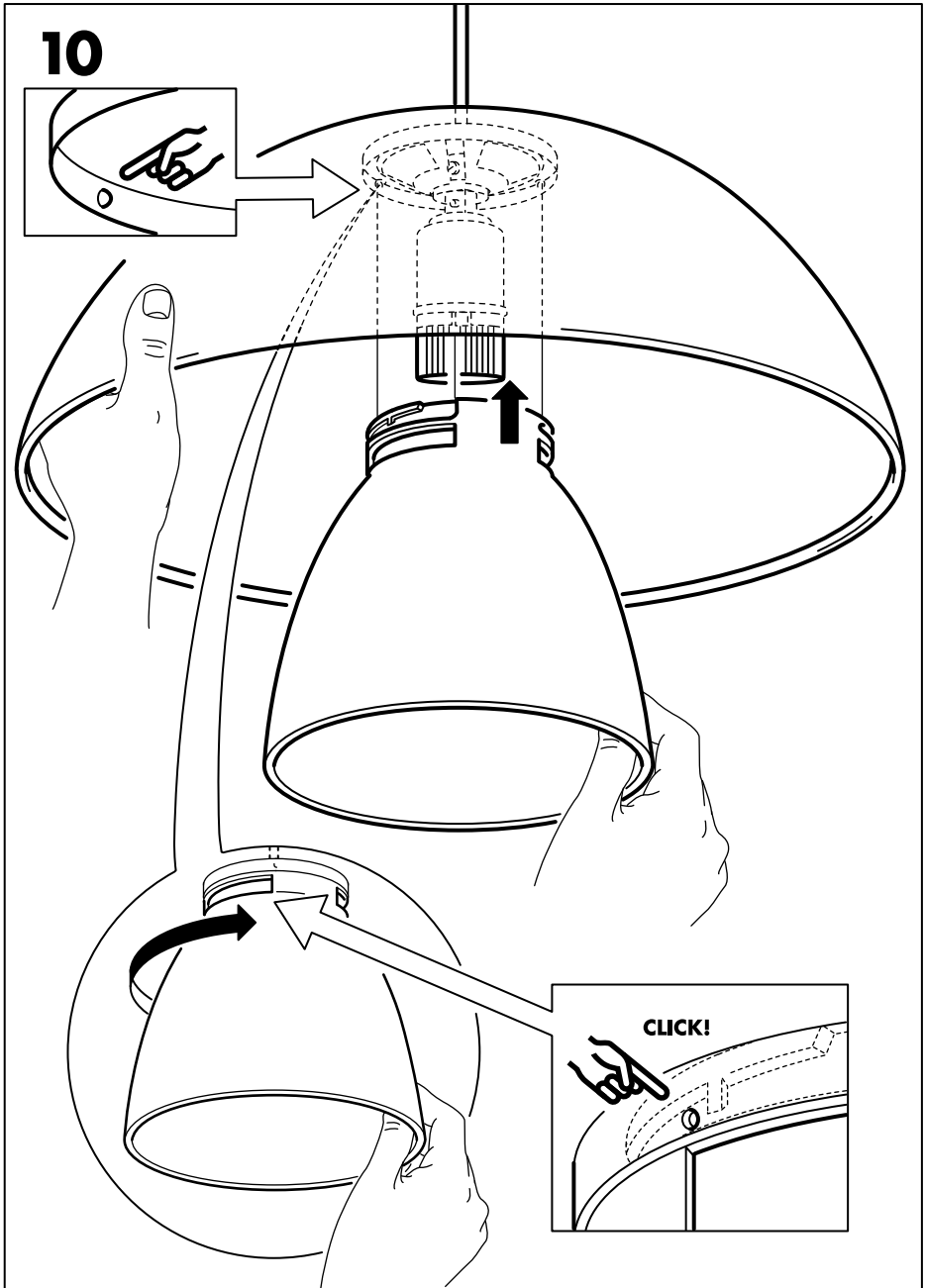
8



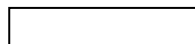
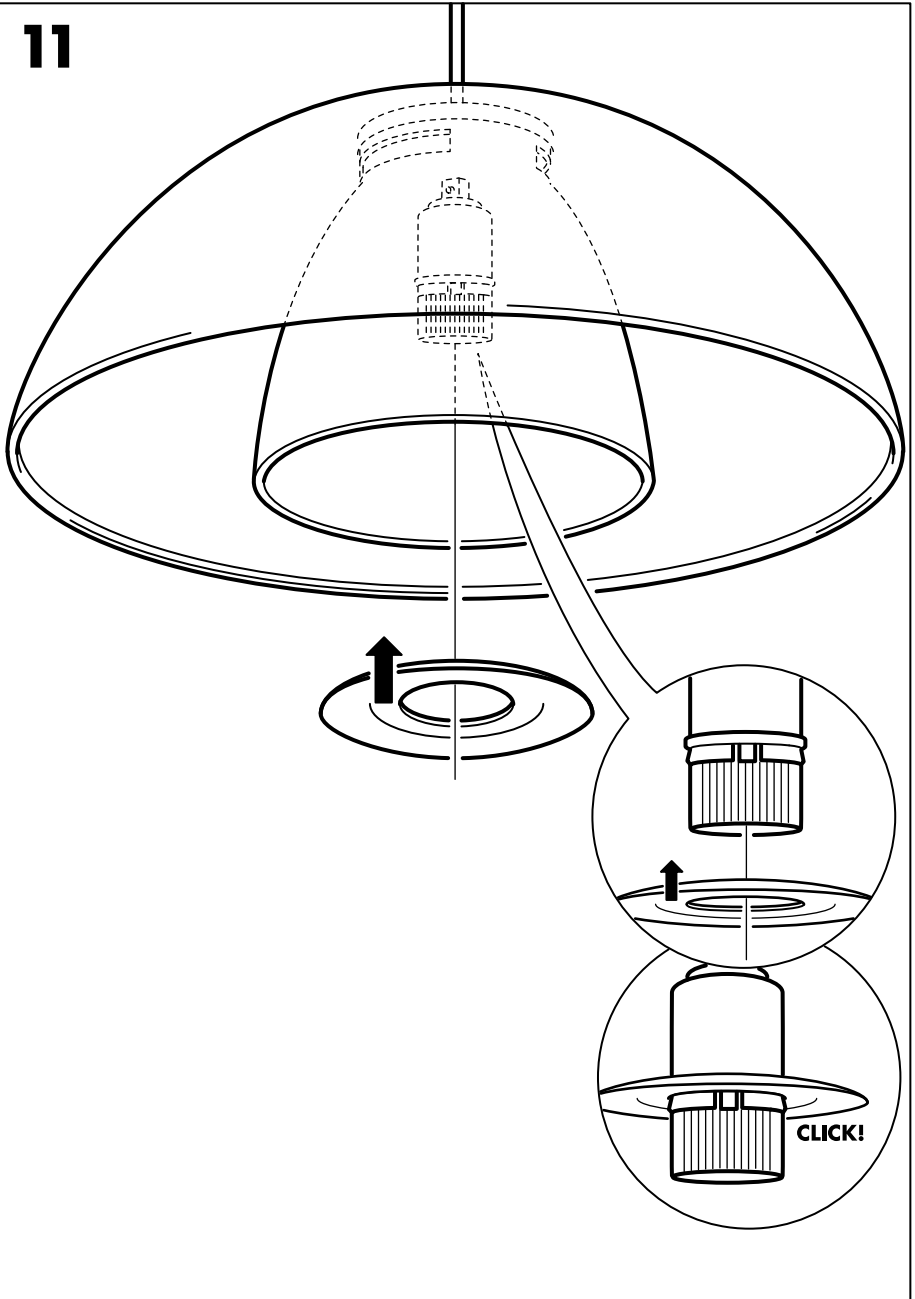
9



10



11



## Free Manuals Download Website

<http://myh66.com>

<http://usermanuals.us>

<http://www.somanuals.com>

<http://www.4manuals.cc>

<http://www.manual-lib.com>

<http://www.404manual.com>

<http://www.luxmanual.com>

<http://aubethermostatmanual.com>

Golf course search by state

<http://golfingnear.com>

Email search by domain

<http://emailbydomain.com>

Auto manuals search

<http://auto.somanuals.com>

TV manuals search

<http://tv.somanuals.com>